



Spray Gun Kit

Multi-Pro[®] 1200/1250 Turf Sprayer and Workman[®] 200 Spray System

Model No. 41133 - 250000001 and up.

Parts Catalog

Ordering Replacement Parts

To order replacement parts, please supply the part number, the quantity, and the description of each part desired.

Understanding Reference Numbers

Each Identified part in an illustration has a reference number. The reference number for a part also appears in the parts list, along with other information about the part.

This catalog uses two special reference number formats, one to indicate parts in a service assembly and another to indicate the quantity of a given part in an illustration.

Service Assembly Reference Numbers

Parts in service assemblies have reference numbers in the form a:b. The a represents the reference number of the entire service assembly and the b represents a sequential number unique to each part within the service assembly.

For example, a wheel assembly might be identified by reference number 6, the tire by 6:1, the valve by 6:2, and the wheel by 6:3. When you order the assembly identified by reference number 6, you receive all parts identified by reference numbers 6:1, 6:2, and 6:3. However, you may also order any part individually. Reference numbers of this type appear in illustrations and in part lists.

Reference Numbers Indicating Quantity

In an illustration, if a reference number indicates more than one part, the reference number has the form nX y. The n represents the quantity of the part, the X is the multiplication symbol, and the y represents the reference number.

For example, in an illustration, the reference number 2X 37 means that two of the parts identified by reference number 37 are indicated.

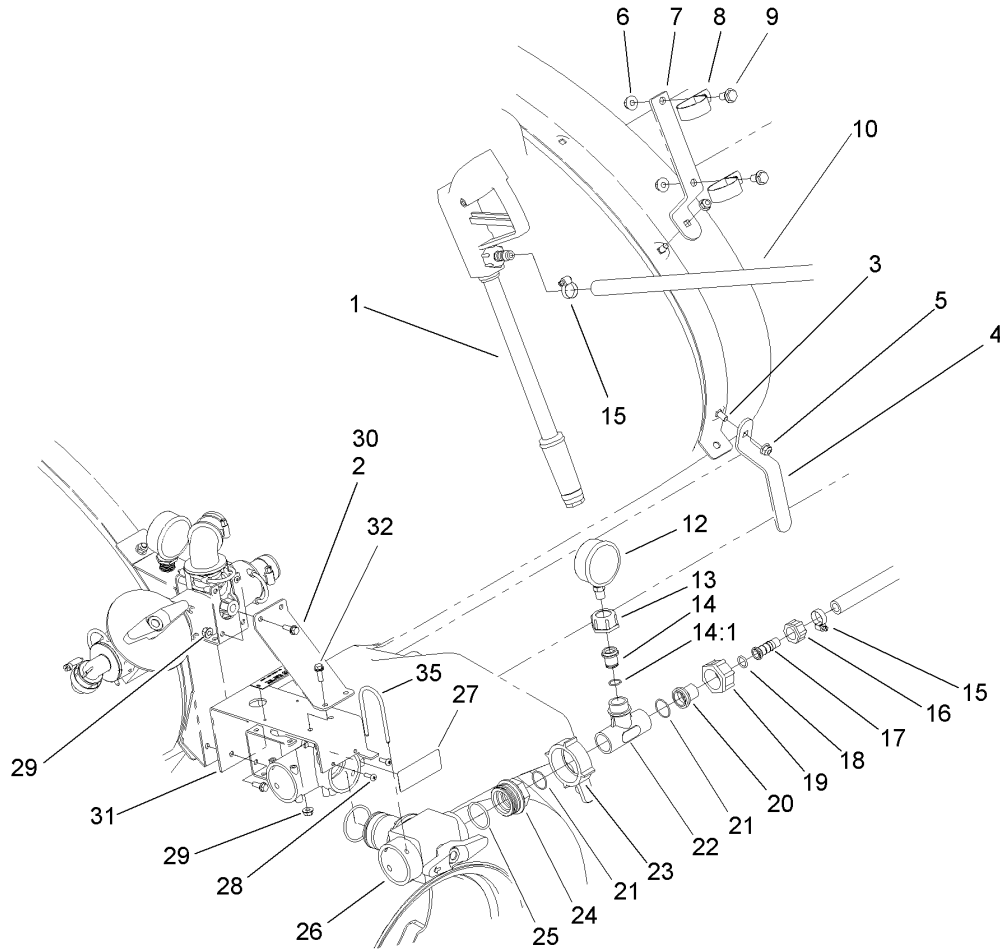
Contents

Description	Page	Description	Page
Spray Gun Kit Assembly 3	3-Way Valve Assembly No. 104-9069 5
Spray Gun Assembly No. 100-6733 4		

Part Description Abbreviations

Part descriptions in this catalog may include the following abbreviations.

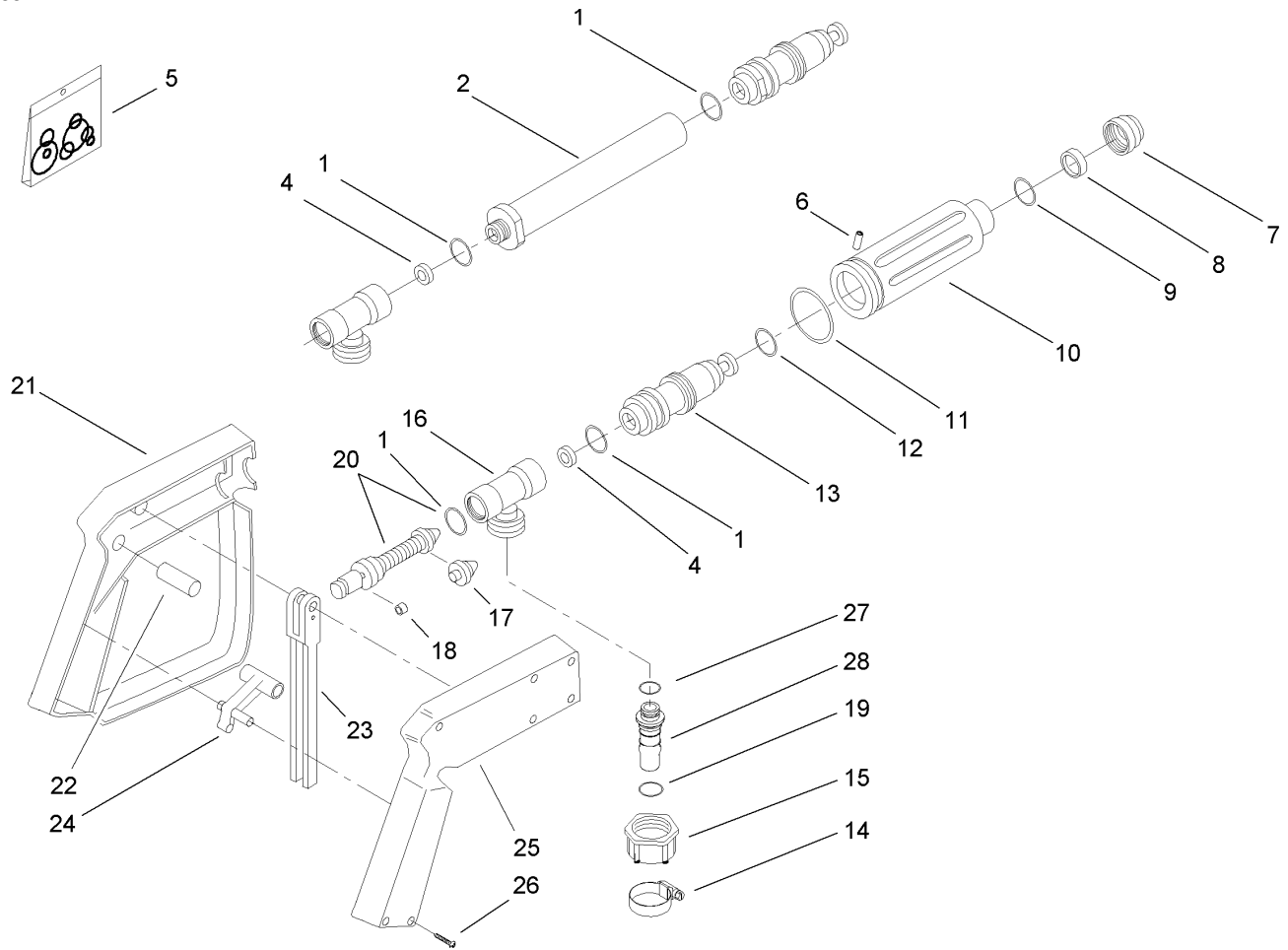
AR. as required	HYD. hydraulic
ASM. assembly	INC. incorporated
CARR. carriage	LH. left hand
DEG. degrees	NI. nylon insert
EXT. external	NPTF. national pipe thread fine
FH. flat head	PPH. phillips pan head
GA. gauge	PRH. phillips round head
HF. hex flange	PTH. phillips truss head
HH. hex head	PTO. power take off
HHF. hex head flange	RH. right hand
HHFTF. hex head flange thread forming	ROPS. roll over protection system
HJ. hex jam	SFH. slotted fillister head
HLH. hex lag head	SHH. slotted hex head
HOC. height-of-cut	SHWH. slotted hex washer head
HS. hex	SPH. slotted pan head
HSBH. hex socket button head	SQH. square head
HSFH. hex socket flat head	SRH. slotted round head
HSH. hex socket head	STD. standard
HWH. hex washer head	TAP. self tapping
HWHTF. hex washer head thread forming	TTH. torx truss head



Spray Gun Kit Assembly

Ref	Part No.	Qty.	Description
1	100-6733	1	Handgun
2	106-1359-03	1	Bracket-Support
3	3230-1	2	Bolt-CARR
4	40153-03	1	Hook-Hose
5	104-8300	2	Nut-Flange, NI
6	104-8301	2	Nut-Flange, NI
7	106-5092-03	1	Bracket-Spraygun
8	2412-147	2	Clamp
9	3234-1	2	Screw-HHF
10	107-8751	1	Hose-Spray Gun
12	100-8576	1	Gauge-Pressure
13	99-0850	1	Nut
14	106-5072	1	Reducer ASM
14:1	100-6645	1	O-Ring
15	2412-36	2	Clamp-Hose
16	99-0766	1	Nut
17	104-8797	1	Hosebarb
18	100-6653	1	O-Ring
19	99-0769	1	Nut
20	99-0770	1	Nipple-Reducing
21	100-6655	2	Gasket
22	100-8699	1	Tee
23	100-8669	1	Nut
24	104-9067	1	Adapter-Valve

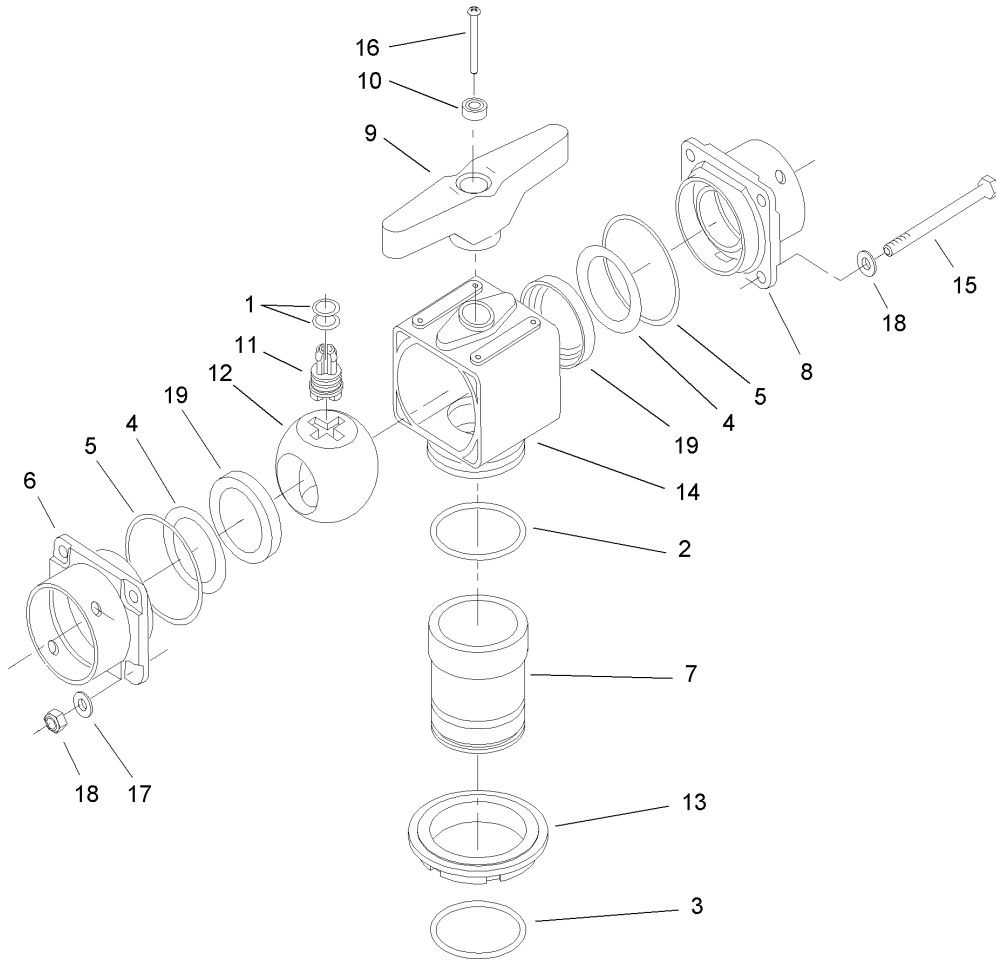
Ref	Part No.	Qty.	Description
25	100-8671	1	O-Ring
26	104-9069	1	3-Way Valve ASM
27	106-5081	1	Decal-Control, Spray
28	32144-32	2	Screw
29	32128-33	4	Nut-HF
30	104-8728-03	1	Bracket-Support
31	104-8727-03	1	Bracket-Valve
32	3234-4	4	Screw-HHF
35	100-8635	1	Fork



Spray Gun Assembly No. 100-6733

Ref	Part No.	Qty.	Description
1	100-6649	3	O-Ring
2	99-0885	1	Extension-Lance
4	99-0884	1	Seal-Valve, On/off
5	99-0779	1	Repair Kit
6	99-0887	1	Pin
7	99-0890	1	Housing-Nozzle
8	99-0889	1	Nozzle-Ceramic
9	100-6650	1	O-Ring
10	99-0886	1	Housing-Swirl
11	100-6646	1	O-Ring
12	100-6644	1	O-Ring
13	99-0780	1	Swirl
14	99-0772	1	Clamp-Hose
15	107-8734	1	Nut-Brass
16	99-0883	1	Housing-Valve
17	104-8860	1	Cone
18	104-8861	1	Sleeve-Rubber
19	100-6647	1	O-Ring
20	99-0882	1	Valve ASM
21	99-0877	1	Handle-LH
22	99-0878	1	Stop-Rubber, Trigger
23	99-0880	1	Arm-Trigger
24	99-0879	1	Arm-Trigger, Safety
25	99-0881	1	Handle-RH

Ref	Part No.	Qty.	Description
26	100-6666	1	Screw
27	100-6648	1	O-Ring
28	106-5093	1	Hosebarb-Brass



3-Way Valve Assembly No. 104-9069

Ref	Part No.	Qty.	Description
1	100-6644	2	O-Ring
2	100-8671	1	O-Ring
3	100-8637	1	O-Ring
4	100-8694	2	O-Ring
5	106-5068	2	O-Ring
6	106-5069	1	Cover-End, 3-Way Valve
7	104-8858	1	Nipple
8	100-8687	1	Cover-End, 3-Way Valve
9	100-8683	1	Handle-Valve, 3-Way
10	100-8682	1	Button
11	100-8686	1	Spindle-3 Way Valve
12	106-5070	1	Ball-Valve, 3- Way
13	104-8857	1	Nut
14	106-1323	1	Housing
15	33113-080	4	Screw-HH
16	100-8688	1	Screw-Plastic
17	49-7810	4	Nut-Lock
18	100-8692	8	Washer
19	100-8695	2	Seat-Ball

NOTES

NOTES

