



Z400 Z Master[®] With 48in 7-Gauge Side Discharge Mower

Model No. 74412 - 250000001 and up.

Parts Catalog

Ordering Replacement Parts

To order replacement parts, please supply the part number, the quantity, and the description of each part desired.

Understanding Reference Numbers

Each Identified part in an illustration has a reference number. The reference number for a part also appears in the parts list, along with other information about the part.

This catalog uses two special reference number formats, one to indicate parts in a service assembly and another to indicate the quantity of a given part in an illustration.

Service Assembly Reference Numbers

Parts in service assemblies have reference numbers in the form a:b. The a represents the reference number of the entire service assembly and the b represents a sequential number unique to each part within the service assembly.

For example, a wheel assembly might be identified by reference number 6, the tire by 6:1, the valve by 6:2, and the wheel by 6:3. When you order the assembly identified by reference number 6, you receive all parts identified by reference numbers 6:1, 6:2, and 6:3. However, you may also order any part individually. Reference numbers of this type appear in illustrations and in part lists.

Reference Numbers Indicating Quantity

In an illustration, if a reference number indicates more than one part, the reference number has the form nX y. The n represents the quantity of the part, the X is the multiplication symbol, and the y represents the reference number.

For example, in an illustration, the reference number 2X 37 means that two of the parts identified by reference number 37 are indicated.

Contents

Description	Page	Description	Page
Front Frame Assembly 3	Group 1 - Crankshaft Assembly Kohler CV493S 27528 24
Height of Cut Assembly 4	Group 2 - Crankcase Assembly Kohler CV493S 27528 25
Main Frame Assembly 5	Group 3 - Oil Pan/Lubrication Assembly Kohler CV493S 27528 26
Fuel System Assembly 6	Group 4 - Head/Valve/Breather Assembly Kohler CV493S 27528 27
Parking Brake Assembly 7	Group 5 - Ignition/Electrical Assembly Kohler CV493S 27528 28
Motion Control Assembly 8	Group 6 - Blower Housing and Baffle Assembly Kohler CV493S 27528 29
Hydraulic System Assembly 9	Group 7 - Starting System Assembly Kohler CV493S 27528 30
Pump Idler and Belt Assembly 11	Group 9 - Engine Control Assembly Kohler CV493S 27528 31
Engine, Clutch and Muffler Assembly 12	Group 8 - Fuel System Assembly Kohler CV493S 27528 32
Deck Mounting Assembly 13	Group 10 - Air Intake/Filtration Assembly Kohler CV493S 27528 34
Deck Assembly No. 107-1667 14	Group 11 - Exhaust Assembly Kohler CV493S 27528 35
Deck Decal Assembly 15		
Spindle Assembly No. 107-8504 16		
Rubber Deflector Assembly No. 108-4060 17		
Idler Assembly 18		
Seat and Bracket Assembly 19		
Seat Assembly No. 107-2116 20		
Electrical System Assembly 21		
Roll-Over-Protection-System Assembly 22		
Roll-Over-Protection-System Assembly No. 107-8093 23		

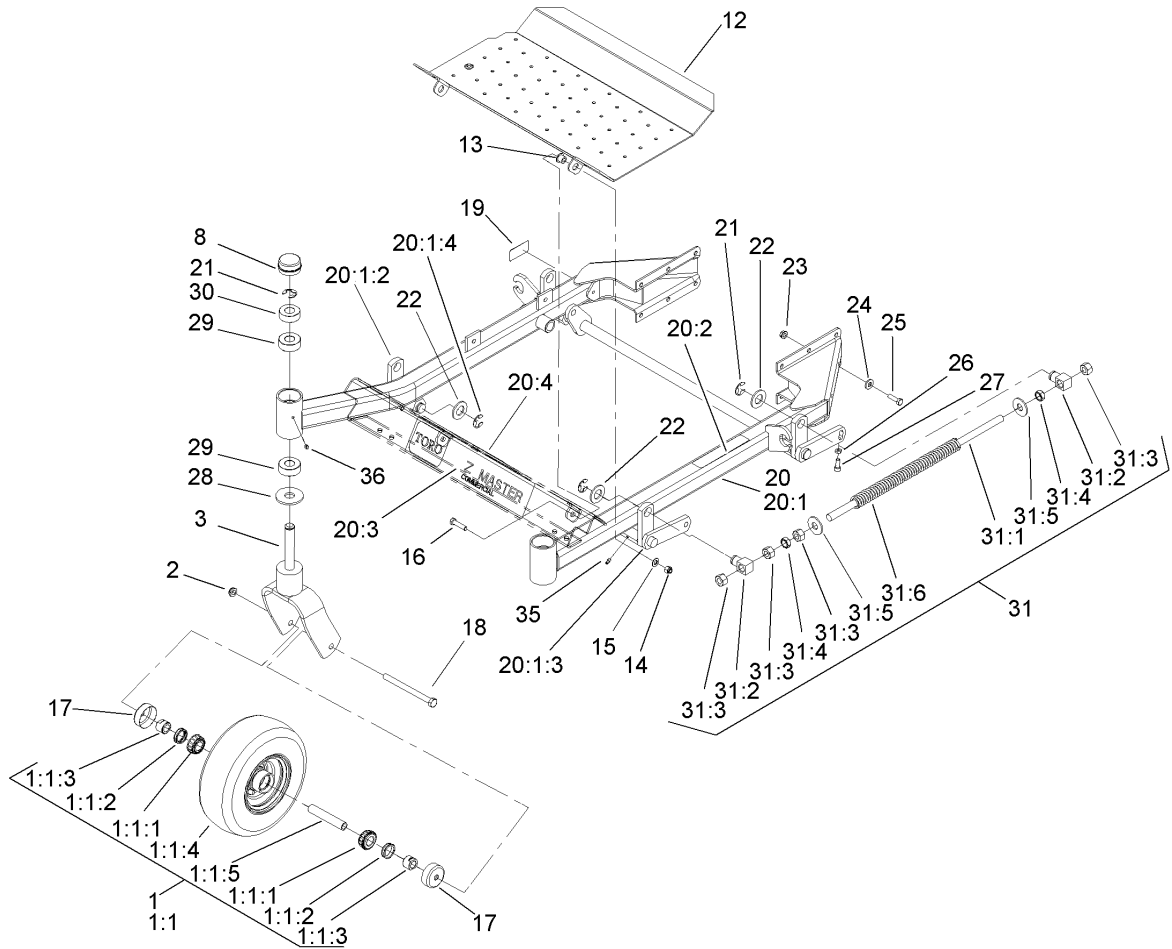
Part Description Abbreviations

Part descriptions in this catalog may include the following abbreviations.

AR. as required	INC. incorporated
ASM. assembly	LH. left hand
CARR. carriage	NI. nylon insert
DEG. degrees	PPH. phillips pan head
FH. flat head	PTH. phillips truss head
GA. gauge	PTO. power take off
HF. hex flange	RH. right hand
HH. hex head	SFH. slotted fillister head
HHF. hex head flange	SHH. slotted hex head
HHFTF. hex head flange thread forming	SHWH. slotted hex washer head
HJ. hex jam	SPH. slotted pan head
HLH. hex lag head	SQH. square head
HOC. height-of-cut	SRH. slotted round head
HS. hex	STD. standard
HSBH. hex socket button head	TAP. self tapping
HSFH. hex socket flat head	TTH. torx truss head
HSH. hex socket head	WH. wing head
HWH. hex washer head	
HWHTF. hex washer head thread forming	
HYD. hydraulic	

Footnotes

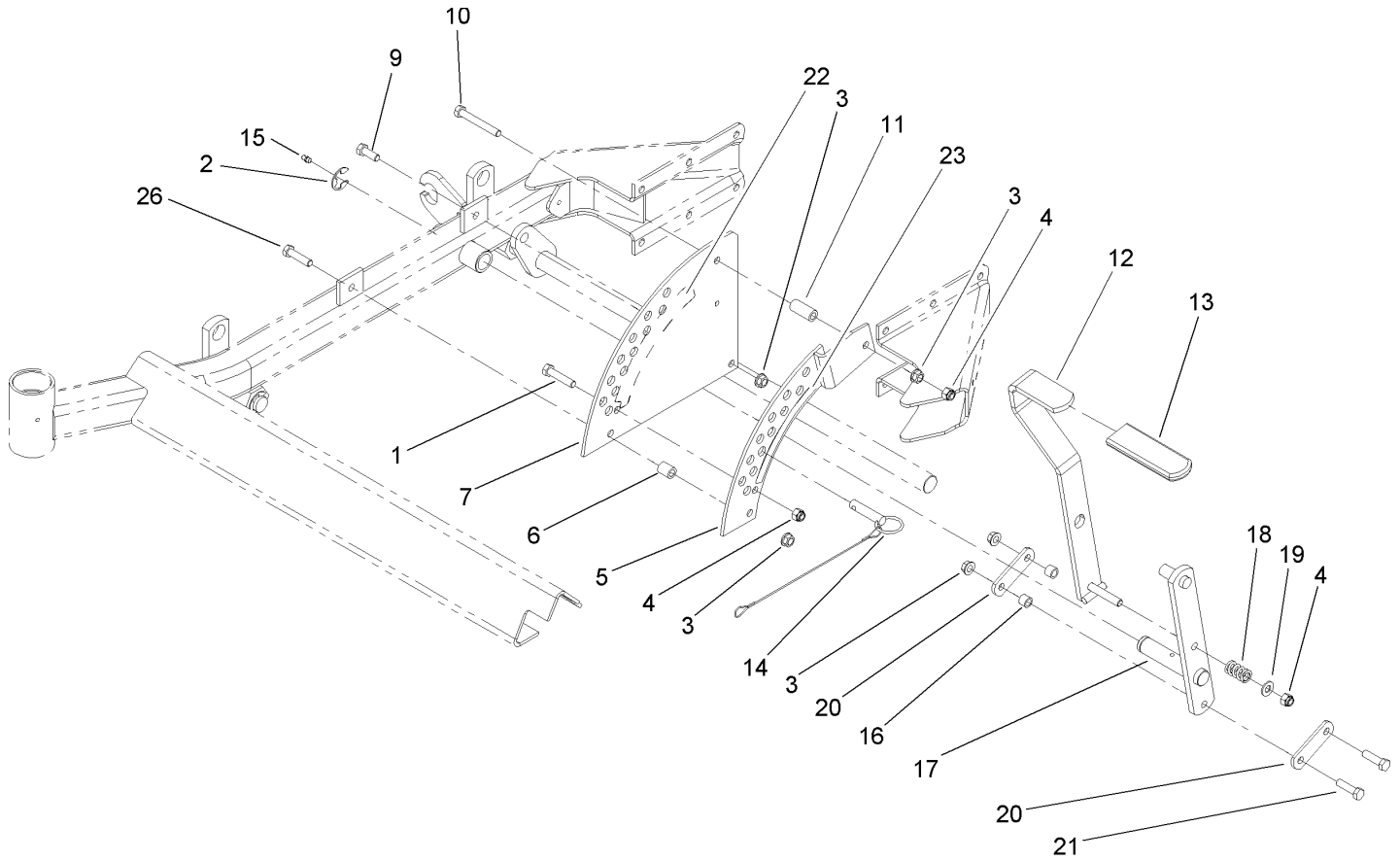
- | | |
|---|--|
| ❶ Not illustrated | ❷ Not serviced separately |
| ❸ Included in a service kit or in an assembly | ❹ Obtain Parts From Your Local Kohler Dealer |



Front Frame Assembly

Ref	Part No.	Qty.	Description
1	103-3800	2	Wheel And Tire ASM
1:1		1	Wheel And Bearing ASM
1:1:1	1-633585	2	Bearing-Cone, Taper
1:1:2	103-0063	2	Seal-Caster
1:1:3	103-3051	2	Spacer-Nut
1:1:4	103-3151	1	Wheel And Tire ASM
1:1:5	103-3157	1	Axle-Caster
2	3296-45	2	Nut-Lock, NI
3	106-8796-01	2	Caster Fork ASM
8	1-543513	2	Cap-Grease
12	108-5007-03	1	Floor Pan
13	86-2180	2	Bushing-Flange
14	3296-39	2	Nut-Lock, NI
15	3256-24	2	Washer-Flat
16	323-8	2	Screw-HH
17	103-2768	4	Guard-Seal
18	325-20	2	Screw-HH
19	105-2625	1	Decal-Std, Safety
20	108-1130	1	Front Frame ASM
20:1		1	Front Frame ASM
20:1:2	99-3872	1	RH Lift Arm ASM
20:1:3	99-3871	1	LH Lift Arm ASM
20:1:4	32151-103	2	Ring-Snap
20:2	1-633818	1	Decal-Warning

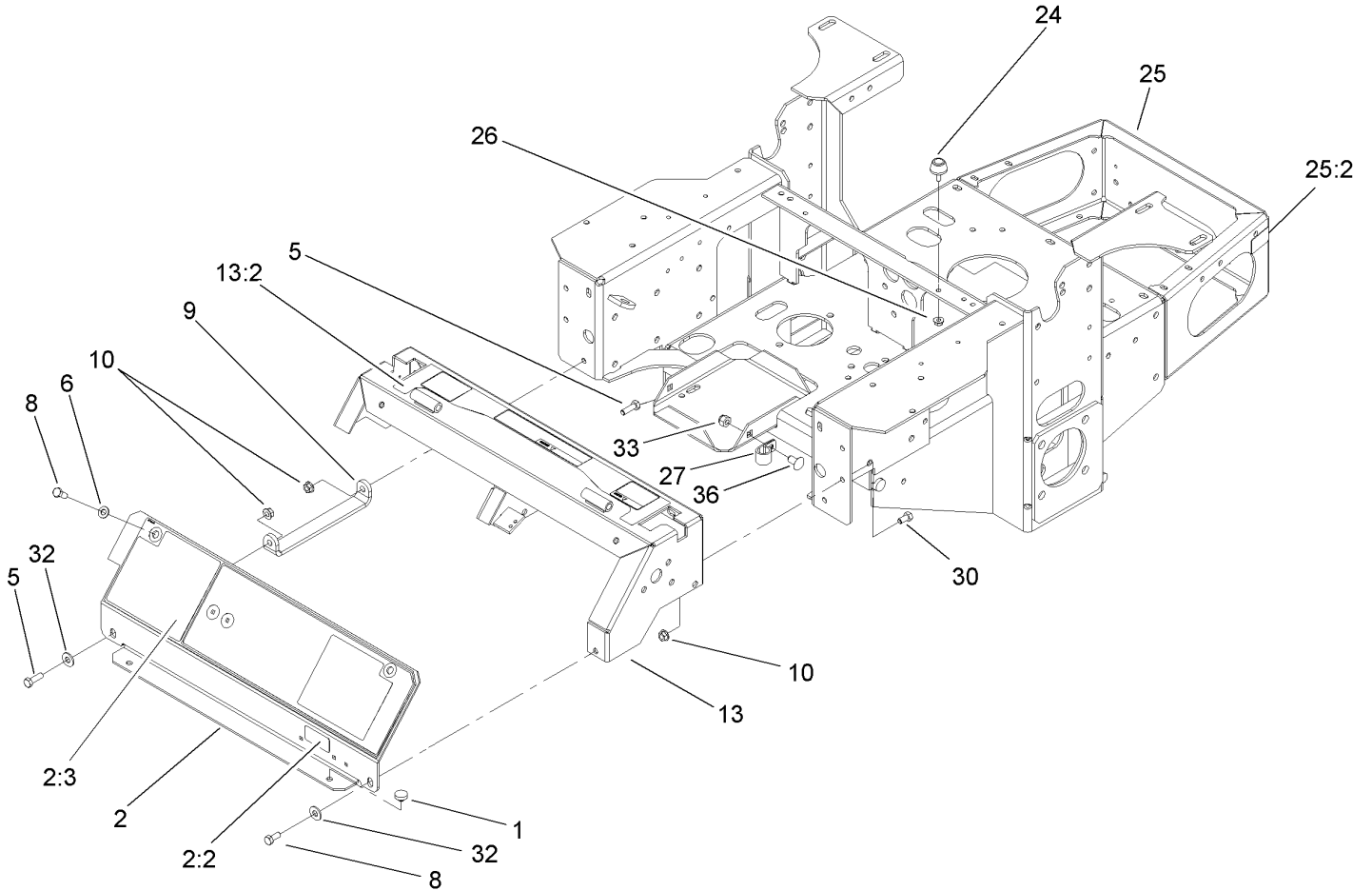
Ref	Part No.	Qty.	Description
20:3	106-9730	1	Decal-
20:4	107-2112	1	Decal-Warning
21	32151-103	6	Ring-Snap
22	3256-29	6	Washer-Flat
23	3290-357	12	Nut-HHF
24	98-5975	12	Washer-Belleville
25	323-7	12	Screw-HH
26	3218-2	2	Nut-Jam
27	3274-18	2	Screw-HSH
28	104-1105	2	Spacer-Support, Deck
29	108-1059	4	Bushing
30	108-2654	2	Spacer
31	1-634439	2	Front Frame Spring ASM
31:1	1-633096	1	Rod-Lift, Deck
31:2	1-633441	2	Swivel-Deck Mount, Rear
31:3	3217-11	4	Nut-Hex
31:4	3218-6	2	Nut-Jam
31:5	3256-7	2	Washer-Flat
31:6	1-633064	1	Spring-Support, Deck
35	302-19	4	Fitting-Grease
36	302-5	2	Fitting-Grease



Height of Cut Assembly

Ref	Part No.	Qty.	Description
1	323-9	1	Screw-HH
2	32151-103	1	Ring-Snap
3	3290-357	5	Nut-HHF
4	3296-39	3	Nut-Lock, NI
5	1-652235-01	1	Plate-Lift, Deck
6	1-633080	1	Bushing-Lever, Lift
7	1-653230-01	1	Plate-Lift, Deck
9	323-6	1	Screw-HH
10	323-13	1	Screw-HH
11	1-633082	1	Bushing-Lever, Lift
12	103-2078-03	1	Handle-Lift
13	1-633295	1	Grip-Lever, Lift
14	106-9951	1	Hitch Pin ASM
15	302-19	1	Fitting-Grease
16	103-1918	2	Bushing
17	106-6598-03	1	Lift Arm ASM
18	1-633325	1	Spring-Compression
19	3256-24	1	Washer-Flat
20	1-633068	2	Arm-Lift, Deck
21	323-29	2	Screw-HH
22	108-1051	1	Decal-Deck Height, Outer
23	108-1050	1	Decal-Deck Height, Inner
26	323-8	1	Screw-HH

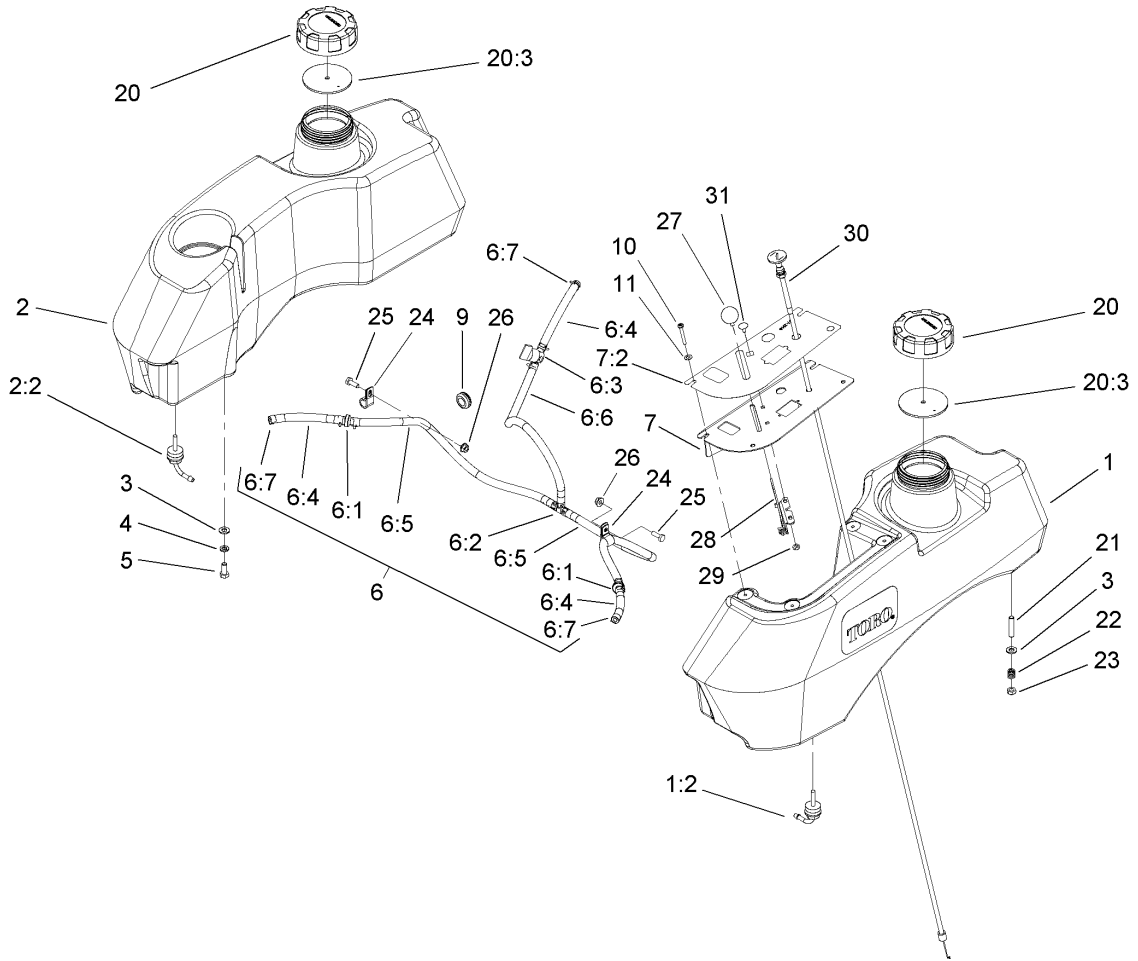
--	--	--	--



Main Frame Assembly

Ref	Part No.	Qty.	Description
1	1-513658	2	Bumper
2	108-1864	1	Panel ASM
2:2	98-4387	1	Decal-Protection, Ear
2:3	107-8445	1	Decal-Cover, Panel
5	322-5	2	Screw-HH
6	3256-23	2	Washer-Flat
8	322-3	3	Screw-HH
9	1-653089-03	1	Bracket
10	32128-20	6	Nut-HF
13	108-5997	1	Console Asm, Z400 (W/ Decals)
13:2	108-5995	1	Decal, Top Console Z400
24	1-523420	2	Bumper
25	108-2782	1	Main Frame ASM
25:2	65-2690	1	Decal-Surface, Hot
26	32128-33	2	Nut-HF
27	1-633396	1	Clip-Loom
30	322-2	4	Screw-HH
32	3256-3	2	Washer-Flat
33	3296-39	1	Nut-Lock, NI
36	3231-21	1	Screw-CARR

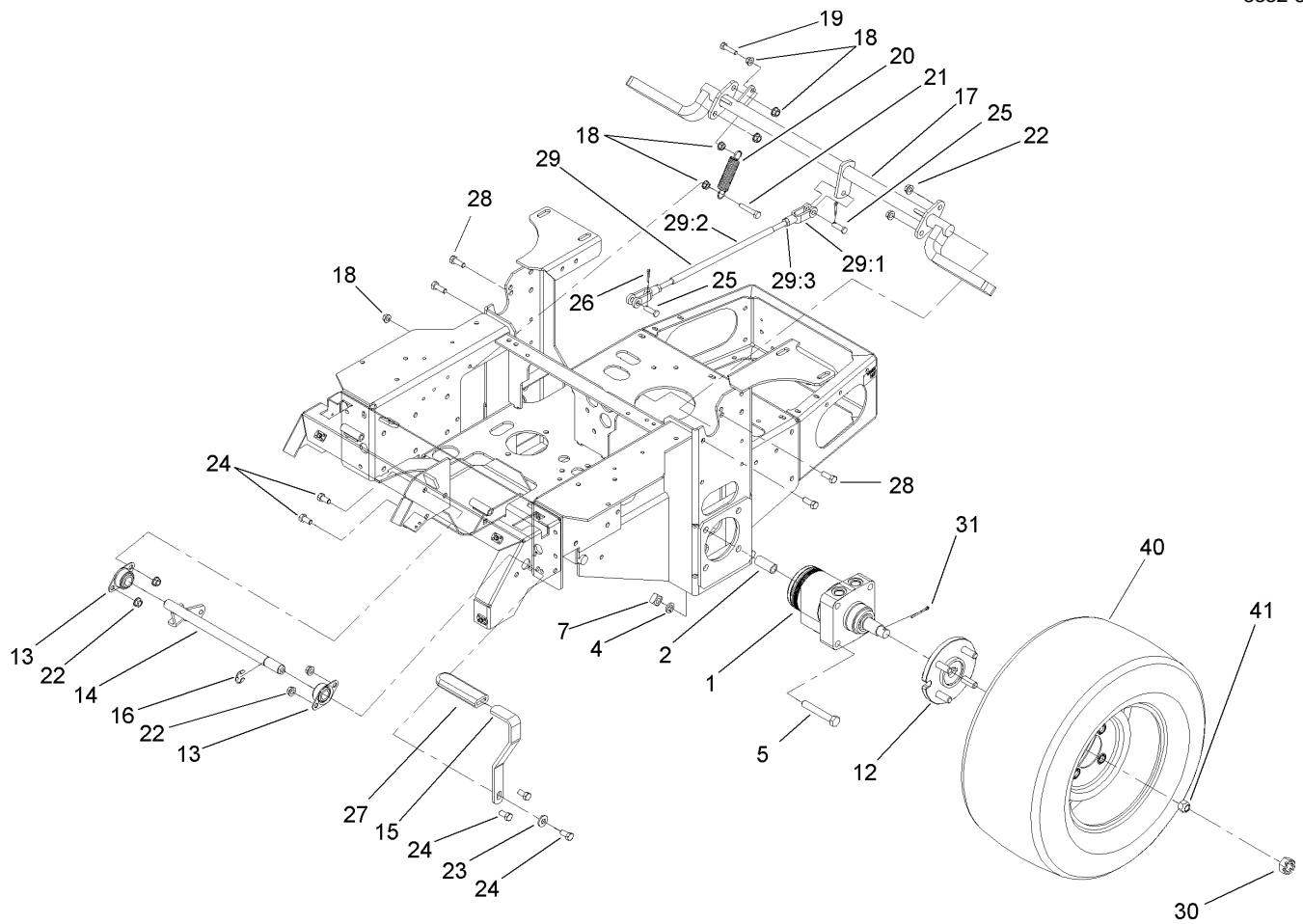
--	--	--	--



Fuel System Assembly

Ref	Part No.	Qty.	Description
1	107-2146	1	LH Fuel Tank ASM
1:2	103-2605	1	Fitting-Fuel, Bulkhead
2	106-9975	1	RH Fuel Tank ASM
2:2	103-2605	1	Fitting-Fuel, Bulkhead
3	3256-23	8	Washer-Flat
4	1-805005	4	Washer-Lock
5	322-3	4	Screw-HH
6		1	Fuel Line ASM
6:1	99-5000	2	Valve-Check, Fuel
6:2	99-5005	1	Fitting-Tee, Barbed
6:3	1-603770	1	Valve-Fuel
6:4	99-7190	3	Hose-Fuel
6:5	99-3185	2	Hose-Fuel
6:6	106-8720	1	Hose-Fuel
6:7	1-303077	12	Clamp
7	107-2149	1	Control Panel ASM
7:2	107-2148	1	Decal-Panel, Control
9	1-543296	2	Grommet
10	32122-30	4	Screw-Pth
11	1-303435	4	Washer-Spring
20	88-3980	2	Gas Cap ASM
20:3	88-4010	1	Gasket-Cap, Gas
21	1-633023	4	Stud
22	1-633349	4	Spring-Tank, Fuel

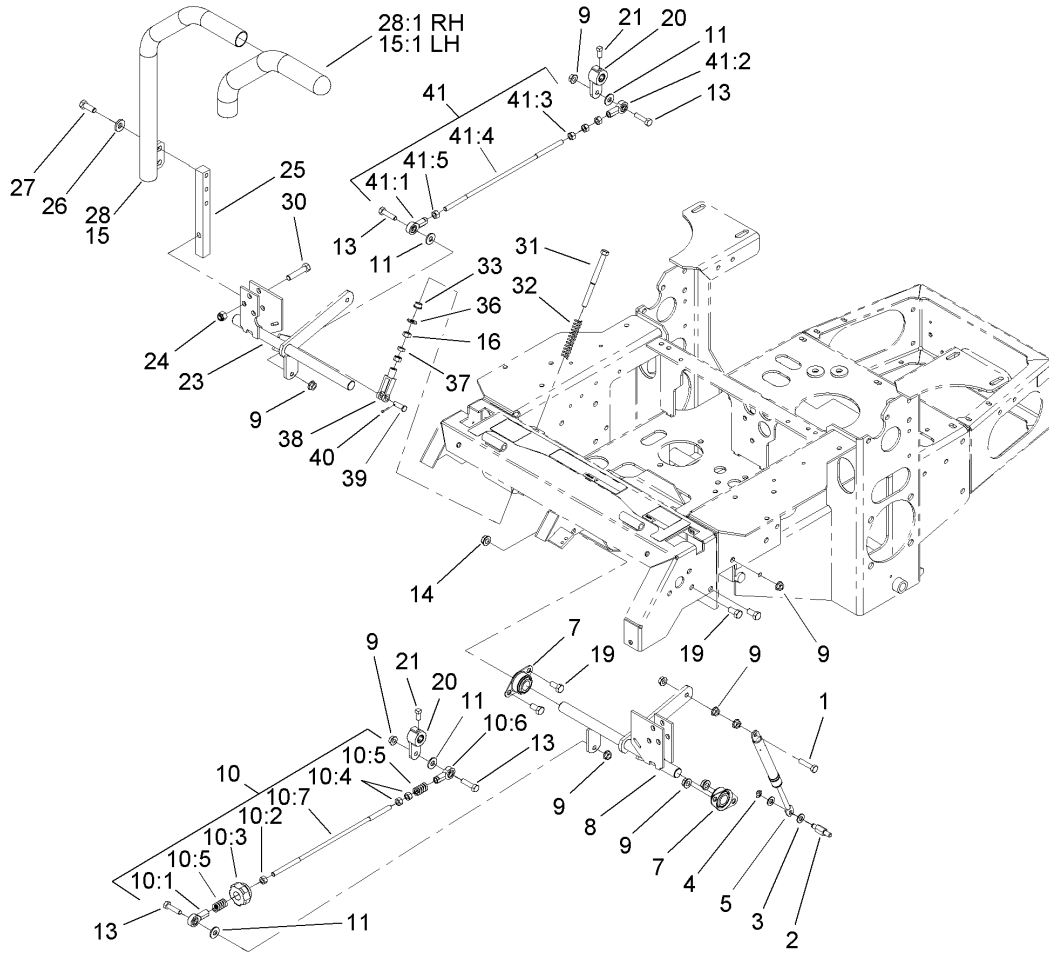
Ref	Part No.	Qty.	Description
23	3296-47	4	Nut-Lock, NI
24	1-513762	4	Clip-Loom
25	321-4	2	Screw-HH
26	32128-33	2	Nut-HF
27	1-513592	1	Knob-Ball
28	103-4091	1	Cable-Throttle
29	3296-2	2	Nut-Lock
30	103-4090	1	Control-Choke
31	1-807513	2	Bolt-CARR



Parking Brake Assembly

Ref	Part No.	Qty.	Description
1	103-4695	2	Motor-Wheel
1:1	1-000119	1	Seal Kit
1:2	1-000138	1	Bearing Kit
2	103-4042	8	Spacer-Motor, Wheel
4	3253-7	8	Washer-Lock
5	325-18	8	Screw-HH
7	103-0131	8	Nut-Square
12	1-602997	2	Hub W/studs
13	1-633102	2	Bearing-Flange, Side
14	103-3116	1	Shaft-Brake, Parking
15	1-653074-03	1	Handle-Brake, Park
16	32151-48	1	E-Ring
17	103-3960-03	1	Brake
18	32128-20	4	Nut-HF
19	322-6	1	Screw-HH
20	1-323161	1	Spring-Idler
21	322-9	1	Screw-HH
22	3290-357	8	Nut-HHF
23	98-5975	1	Washer-Belleville
24	323-4	5	Screw-HH
25	1-808285	2	Pin-Clevis
26	3272-10	2	Pin-Cotter
27	1-633268	1	Grip-Lever, Brake
28	323-6	4	Screw-HH

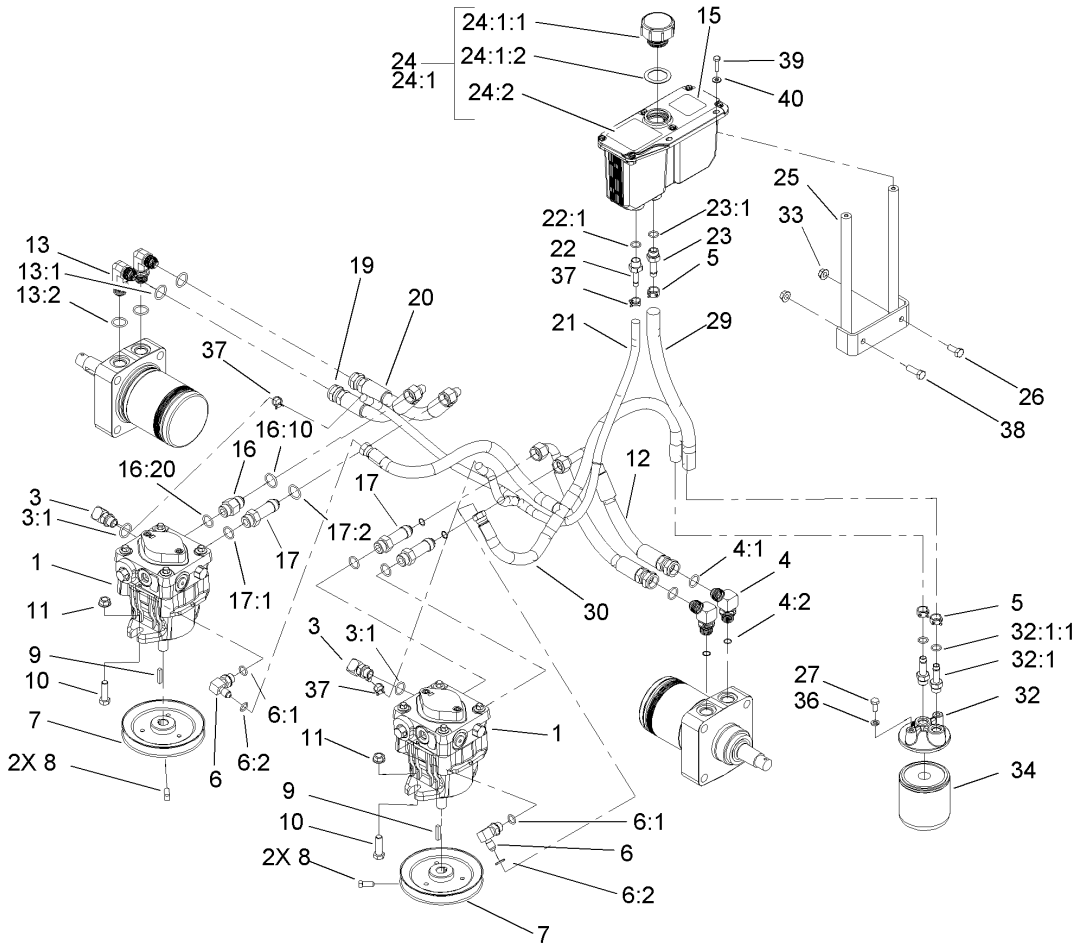
Ref	Part No.	Qty.	Description
29	103-4335	1	Brake Rod ASM
29:1	1-633131	2	Yoke-Linkage, Brake
29:2	103-3907	1	Linkage,brake Handle
29:3	3219-3	2	Nut-Hex
30	32136-5	2	Nut-Hex Slotted
31	1-806800	2	Pin-Cotter
40	103-3978	2	Wheel And Tire ASM
41	242-50	8	Nut-Lug



Motion Control Assembly

Ref	Part No.	Qty.	Description
1	1-403180	2	Screw-HH
2	103-4101	2	Pin-Damper
3	3256-23	4	Washer-Flat
4	32120-35	2	E-Ring
5	103-4079	2	Damper-Control, Motion
7	1-633102	4	Bearing-Flange, Side
8	103-4774	1	Control-Motion, LH
9	32128-20	12	Nut-HF
10	103-4326	1	Tracking Rod ASM
10:1	1-543017	1	Balljoint-RH
10:2	3219-2	1	Nut-Hex
10:3	103-3060	1	Knob-Tracking
10:4	1-804524	2	Nut
10:5	1-323245	2	Spring-Compression
10:6	1-633152	1	Balljoint-Thread, LH
10:7	103-3066	1	Link-Rod, Tracking
11	3256-3	4	Washer-Flat
13	322-6	4	Screw-HH
14	3290-357	6	Nut-HHF
15	103-0631	1	LH Lever ASM
15:1	1-633257	1	Grip-Control, Motion
16	3219-2	4	Nut-Hex
19	323-4	6	Screw-HH
20	103-3717	2	Arm-Control

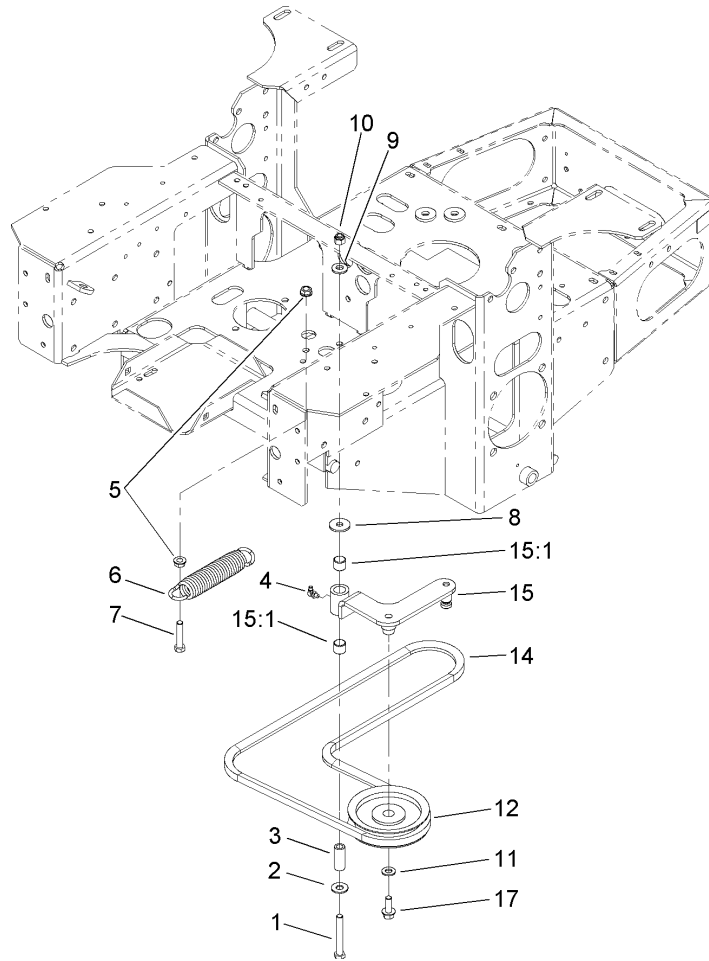
Ref	Part No.	Qty.	Description
21	1-803022	2	Screw-Set
23	103-4773	1	Control-Motion, RH
24	3296-39	6	Nut-Lock, NI
25	103-0407	2	Arm-Shaft, Control
26	98-5975	4	Washer-Belleville
27	323-6	4	Screw-HH
28	103-0632	1	RH Lever ASM
28:1	1-633257	1	Grip-Control, Motion
30	323-9	6	Screw-HH
31	1-603737	2	Bolt-Return, Neutral
32	1-603807	2	Spring-Return, Neutral
33	1-603735	2	Bushing-Flanged
36	3256-2	2	Washer-Flat
37	3220-2	2	Nut-Jam
38	1-303105	2	Yoke-Adjustable
39	1-808280	2	Pin-Clevis
40	3272-5	2	Pin-Cotter
41	103-4327	1	Tracking ASM
41:1	1-543017	1	Balljoint-RH
41:2	1-633152	1	Balljoint-Thread, LH
41:3	1-804524	1	Nut
41:4	103-3066	1	Link-Rod, Tracking
41:5	3219-2	3	Nut-Hex



Hydraulic System Assembly

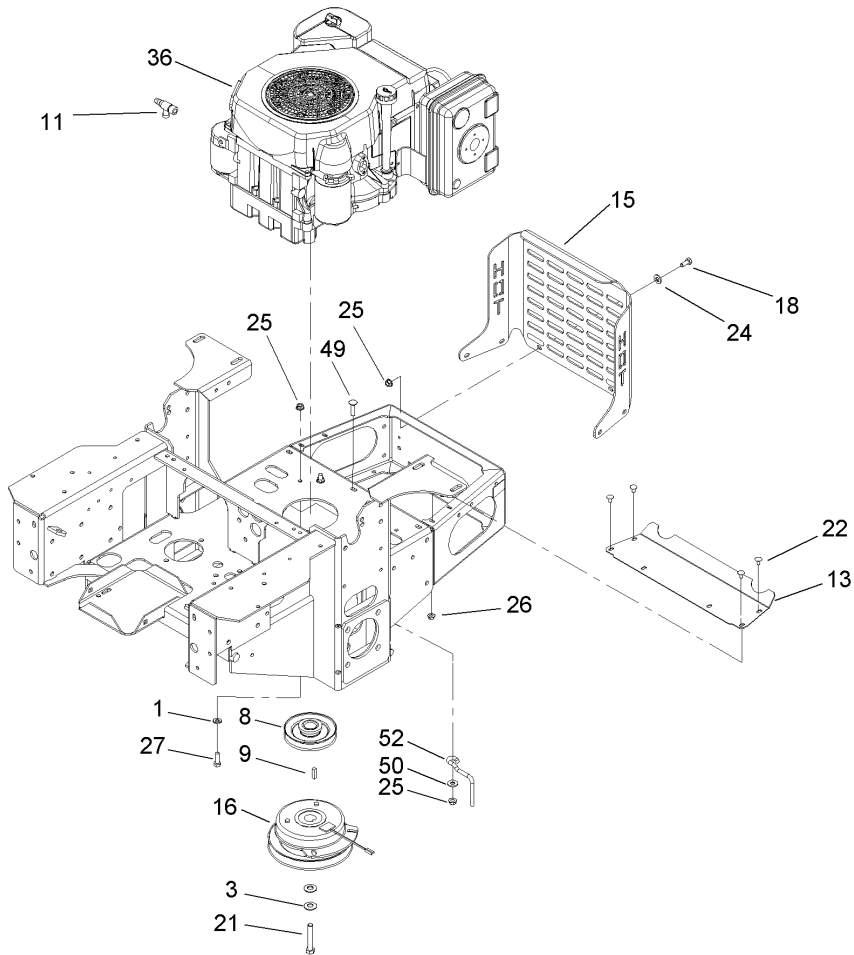
Ref	Part No.	Qty.	Description
1	103-4040	2	Pump-HYD
3	103-1799	2	Elbow-90 DEG
3:1	237-42	1	O-Ring
4	103-2153	2	Fitting-90 DEG
4:1	1-603920	1	O-Ring
4:2	1-603992	1	O-Ring
5	103-1988	3	Clamp-Hose
6	103-1802	2	Fitting-Hyd, 90 DEG
6:1	1-603921	1	O-Ring
6:2	237-42	1	O-Ring
7	1-653156	2	Pulley
8	1-803050	2	Screw-Set
9	1-807272	2	Key
10	323-7	4	Screw-HH
11	3290-357	5	Nut-HHF
12	103-4022	1	Hose-Lh, Rear
13	103-4797	2	Elbow-90 DEG
13:1	1-603920	1	O-Ring
13:2	1-603992	1	O-Ring
15	103-2644	1	Decal-Exhaust
16	103-4020	1	Adapter-Straight
16:10	1-603920	1	O-Ring
16:20	1-603992	1	O-Ring
17	103-1940	3	Adapter-Hyd, Straight

Ref	Part No.	Qty.	Description
17:1	237-79	1	O-Ring
17:2	1-603992	1	O-Ring
19	103-4021	1	Hose-Rh, Rear
20	1-653187	2	Hose-Rear, RH
21	103-2357	1	HYD Hose ASM
22	103-1801	1	Adapter-Straight
22:1	237-42	1	O-Ring
23	103-1912	1	Adapter-Straight
23:1	237-42	1	O-Ring
24	103-1947	1	HYD Reservoir ASM
24:1		1	Reservoir-HYD
24:1:1	103-1948	1	Cap-Reservoir, HYD
24:1:2	103-1949	1	Gasket-Cap
24:2	1-523552	1	Decal-Tank, HYD
25	103-3071-03	1	Stand-Reservoir
26	322-3	1	Screw-HH
27	321-3	2	Screw-HH
29	103-3077	1	HYD Hose ASM
30	103-2930	1	HYD Hose ASM
32	103-2889	1	Filter Head ASM
32:1	103-1912	2	Adapter-Straight
32:1:1	237-42	1	O-Ring
33	32128-20	2	Nut-HF
34	1-633752	1	Filter-Hyd, Winter



Pump Idler and Belt Assembly

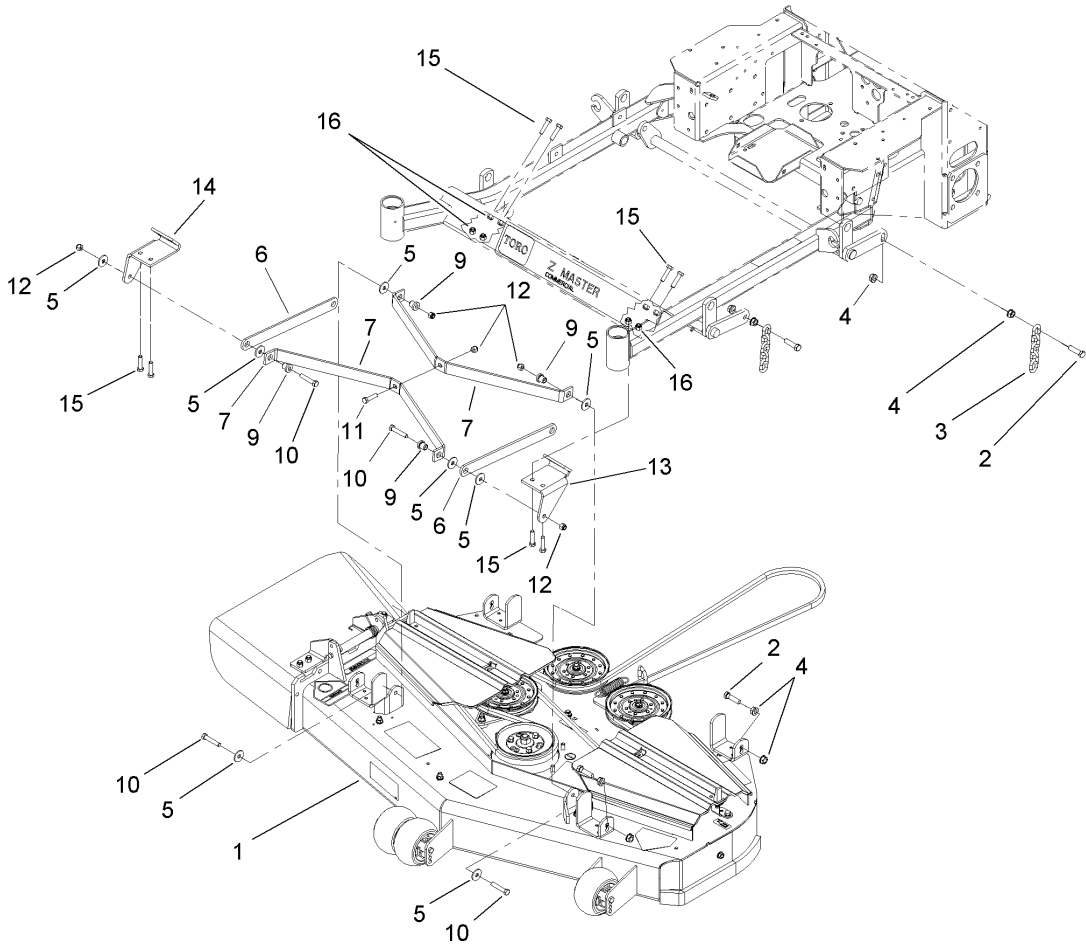
Ref	Part No.	Qty.	Description				
1	323-13	1	Screw-HH				
2	3256-4	1	Washer-Flat				
3	1-603044	1	Bushing				
4	302-40	1	Fitting-Grease				
5	3290-357	2	Nut-HHF				
6	103-4480	1	Spring-Extension				
7	323-9	1	Screw-HH				
8	63-8410	1	Washer				
9	98-5975	1	Washer-Belleville				
10	3296-39	1	Nut-Lock, NI				
11	3256-24	1	Washer-Flat				
12	1-603843	1	Pulley-Idler				
14	107-3959	1	Belt-Cog				
15	103-4482	1	Idler Arm ASM				
15:1	103-4681	2	Sleeve-Bearing				
17	3234-11	1	Screw-HHF				



Engine, Clutch and Muffler Assembly

Ref	Part No.	Qty.	Description
1	1-303334	4	Washer-Spring
3	1-603610	2	Washer-Spring
8	1-653035	1	Pulley
9	1-807259	1	Key
11	103-1965	1	Valve-Drain, Oil
13	103-2740-03	1	Deflector-Short
15	103-4048-03	1	Bumper-Rear
16	104-3624	1	Clutch
18	322-3	6	Screw-HH
21	3212-10	1	Screw-HH
22	3229-10	4	Screw-CARR
24	3256-24	6	Washer-Flat
25	32128-20	7	Nut-HF
26	32128-33	4	Nut-HF
27	33114-025	4	Screw-HH
36		1	Engine, Kohler Cv493s
49	3230-3	1	Screw-CARR
50	3256-3	1	Washer-Flat
52	108-1058	1	Rod-Belt

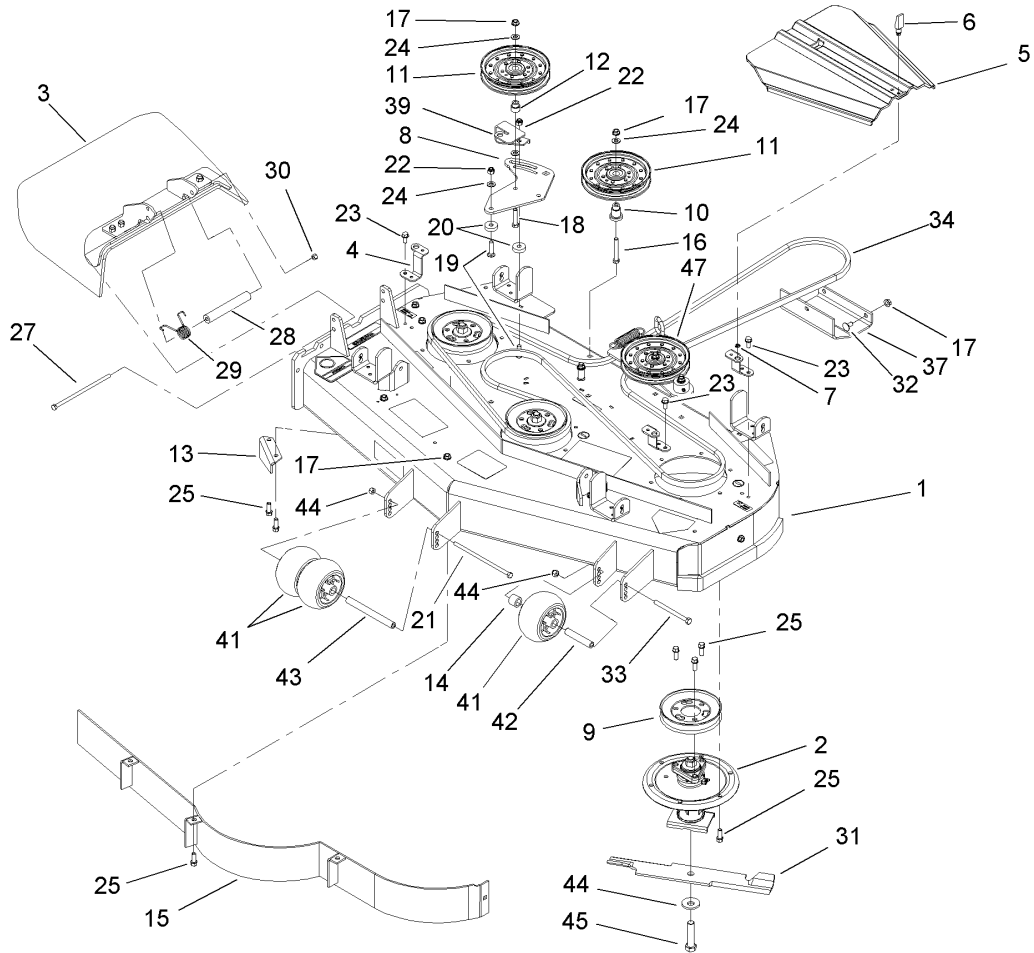
--	--	--	--



Deck Mounting Assembly

Ref	Part No.	Qty.	Description
1	107-1667	1	Deck ASM
2	103-1898	8	Screw-HH
3	1-633447	4	Chain-Lift, Deck
4	32128-37	16	Nut-HF
5	63-8410	8	Washer
6	107-1698-01	2	Strut-Flat
7	108-2168-01	2	Brace-Cross
9	65-5950	4	Bushing-Pulley
10	323-10	4	Screw-HH
11	323-8	1	Screw-HH
12	3296-39	6	Nut-Lock, NI
13	108-2164-01	1	Plate-Pull, LH
14	108-2165-01	1	Plate-Pull, RH
15	323-6	8	Screw-HH
16	3290-357	8	Nut-HHF

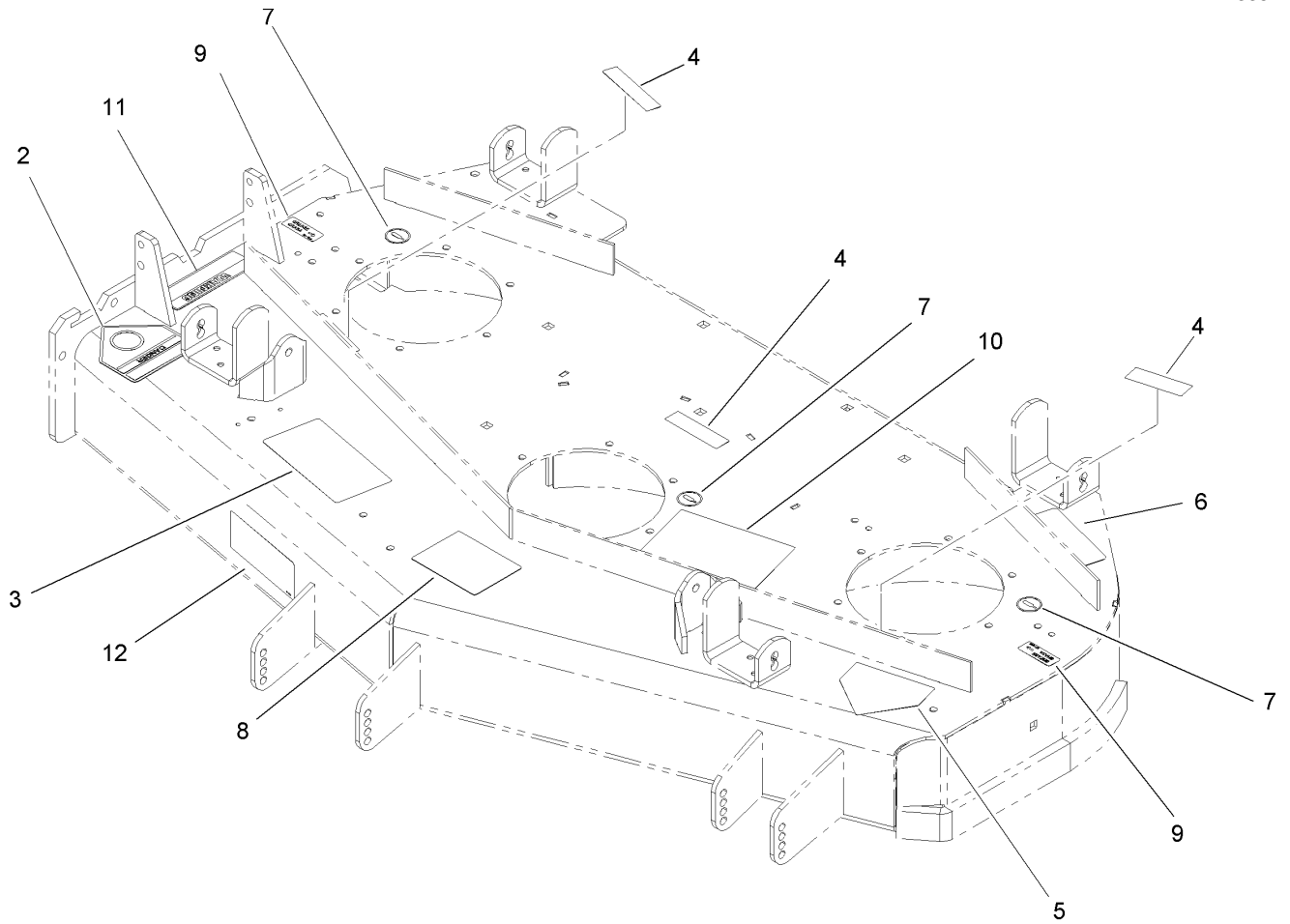
--	--	--	--



Deck Assembly No. 107-1667

Ref	Part No.	Qty.	Description
1	107-1666	1	Deck Decal ASM
2	107-8504	3	Spindle ASM
3	108-4060	1	Rubber Deflector ASM
4	108-2177-01	3	Bracket-Cover, Tall
5	107-8536	2	Cover-Belt
6	74-5950	2	Latch-Swell
7	99-3058	2	Washer
8	107-8516-01	1	Plate-Idler
9	107-1684	3	Pulley
10	106-3214	1	Mount-Pulley
11	1-633109	2	Idler-Flat
12	1-603496	1	Bushing-Idler
13	107-8541-01	1	Baffle-Discharge
14	98-7913	1	Tube-Spacer
15	108-2187-01	1	Baffle ASM
16	323-12	1	Screw-HH
17	3290-357	32	Nut-HHF
18	323-9	1	Screw-HH
19	3231-4	2	Screw-CARR
20	105-7788	2	Spacer
21	323-28	1	Screw-HH
22	3296-39	4	Nut-Lock, NI
23	32144-70	3	Screw-HH
24	3256-24	4	Washer-Flat

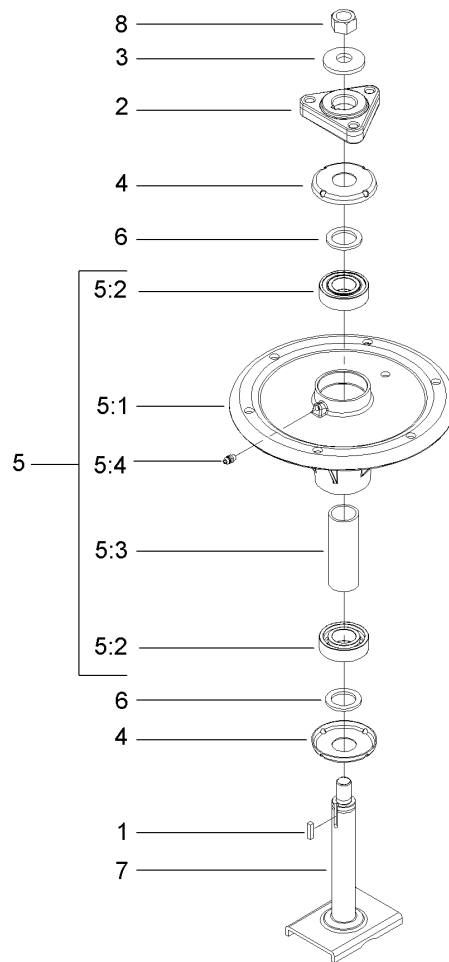
Ref	Part No.	Qty.	Description
25	92-1624	32	Screw
27	322-50	2	Screw-HH
28	105-4622	1	Spacer
29	107-1663	1	Spring-Torsion
30	3296-29	1	Nut-Lock, NI
31	107-3192-03	3	Blade-Rotary, 16.5 High Flow
32	3231-1	7	Screw-CARR
33	323-23	1	Screw-HH
34	106-7369	1	Belt-V
37	107-3166-01	1	Skid
39	108-2228-01	1	Bracket-Cover
41	1-603299	3	Roller-Anti Scalp
42	98-7912	1	Tube-Spacer
43	98-5967	1	Spacer-Wheel
44	103-0865	3	Washer-Blade Bolt, Heavy
45	103-0862	3	Screw-Cap
47		1	Idler ASM
99	107-3193-03	3	Blade-Rotary, 16.5 Low Flow
99	107-3196-03	3	Blade-Rotary, 16.5in Recycling
99	107-3195-03	3	Blade-Rotary, 16.5 Atomic
99	107-3194-03	3	Blade-Rotary, 16.5 Med Flow



Deck Decal Assembly

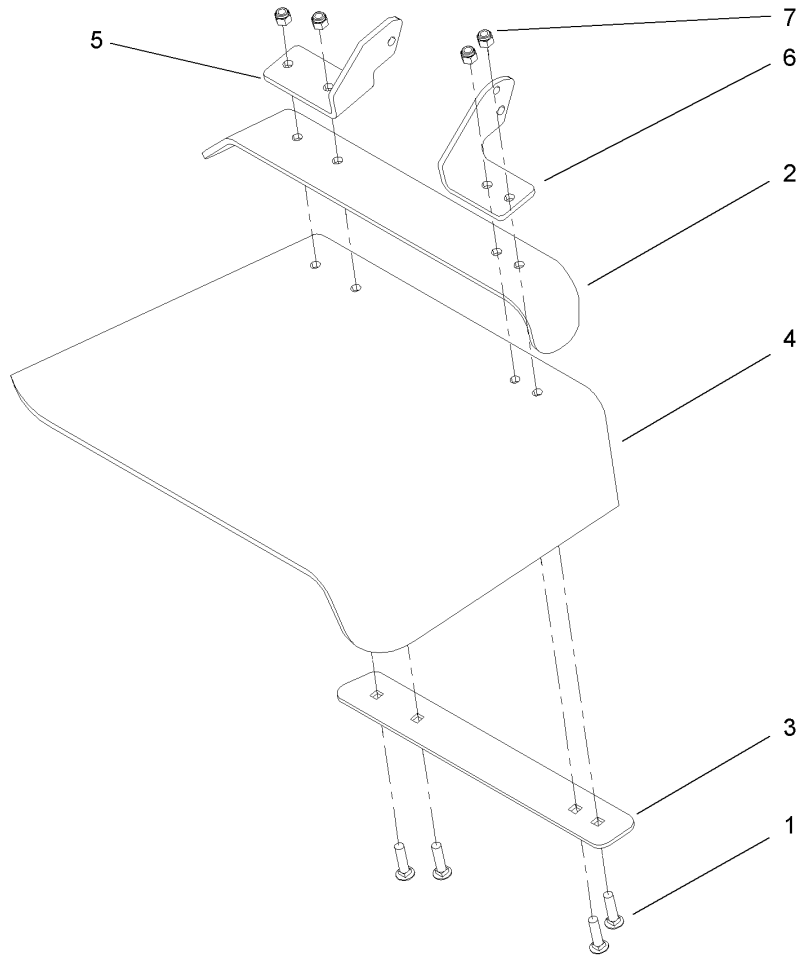
Ref	Part No.	Qty.	Description
2	54-9220	1	Decal-Danger
3	66-1340	1	Decal-Danger
4	98-5954	3	Decal-Missing, Cover
5	1-403005	1	Decal-Danger
6	68-8340	1	Decal-Torque
7	58-6520	3	Decal-Grease
8	105-7798	1	Decal-Anti Scalp
9	107-1613	3	Decal-Grease
10	107-1687	1	Decal-Aid, Service
11	104-8569	1	Decal-Warning
12	107-1695	1	Decal

--	--	--	--



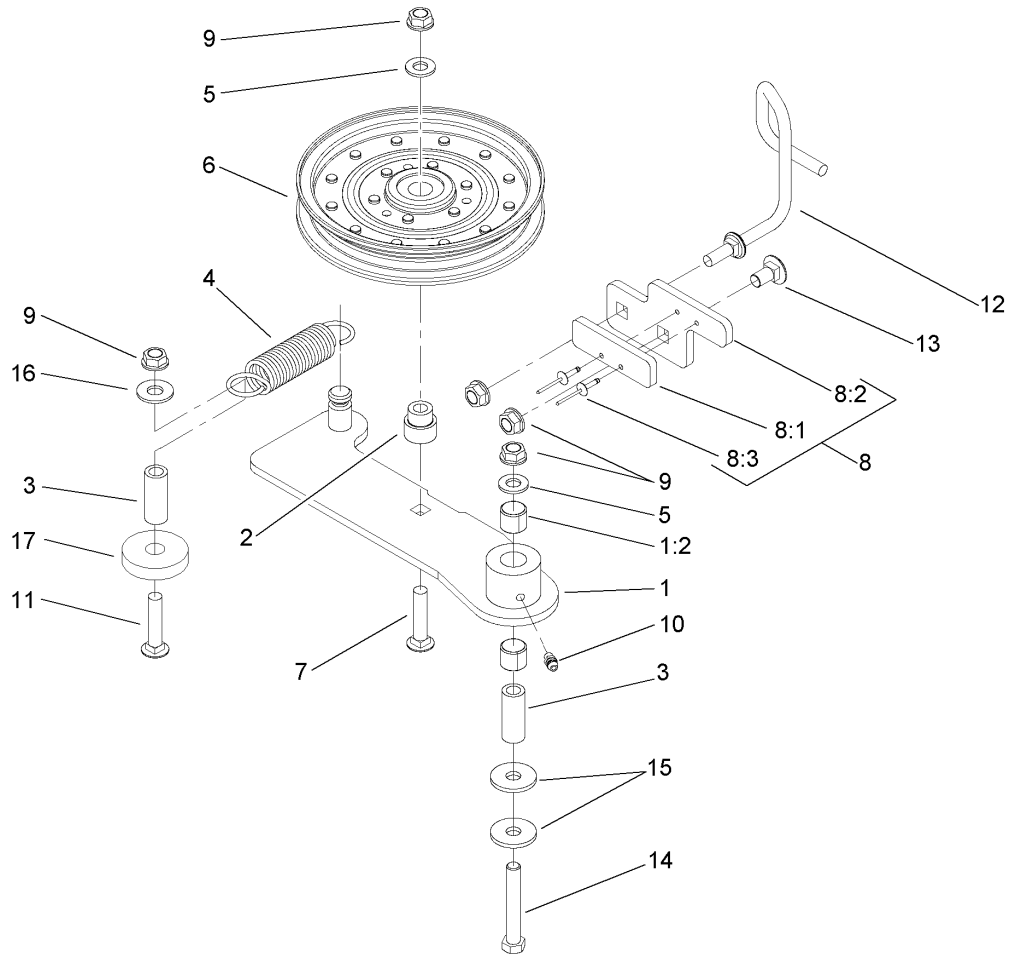
Spindle Assembly No. 107-8504

Ref	Part No.	Qty.	Description			
1	10-8040	1	Key-Square			
2	106-3277	1	Hub-Pulley			
3	103-0865	1	Washer-Blade Bolt, Heavy			
4	106-3204	2	Shield-Bearing			
5		1	Spindle Bearing ASM			
5:1	106-3211	1	Housing-Spindle			
5:2	113514	2	Bearing-Ball			
5:3	107-8502	1	Spacer-Bearing			
5:4	302-5	1	Fitting-Grease			
6	3-8514	2	Washer-Thrust			
7	107-8501	1	Spindle ASM			
8	3219-6	1	Nut-Hex			



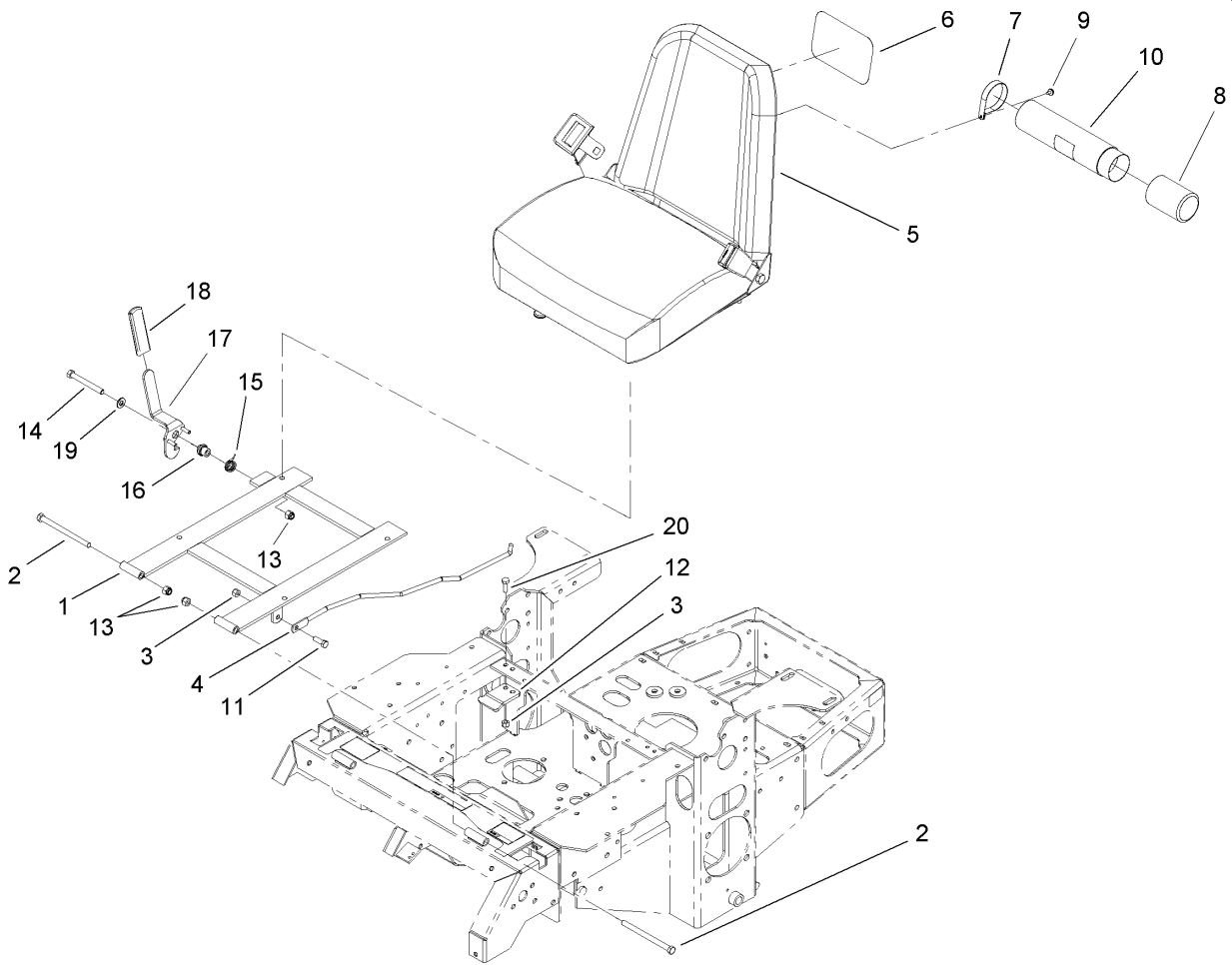
Rubber Deflector Assembly No. 108-4060

Ref	Part No.	Qty.	Description
1	3231-4	4	Screw-CARR
2	106-3246-01	1	Deflector
3	106-3248-03	1	Strap-Discharge
4	107-1617	1	Deflector-Rubber
5	108-4059-01	1	Plate-Hinge, Rear
6	108-4058-01	1	Plate-Hinge, Front
7	3296-39	4	Nut-Lock, NI



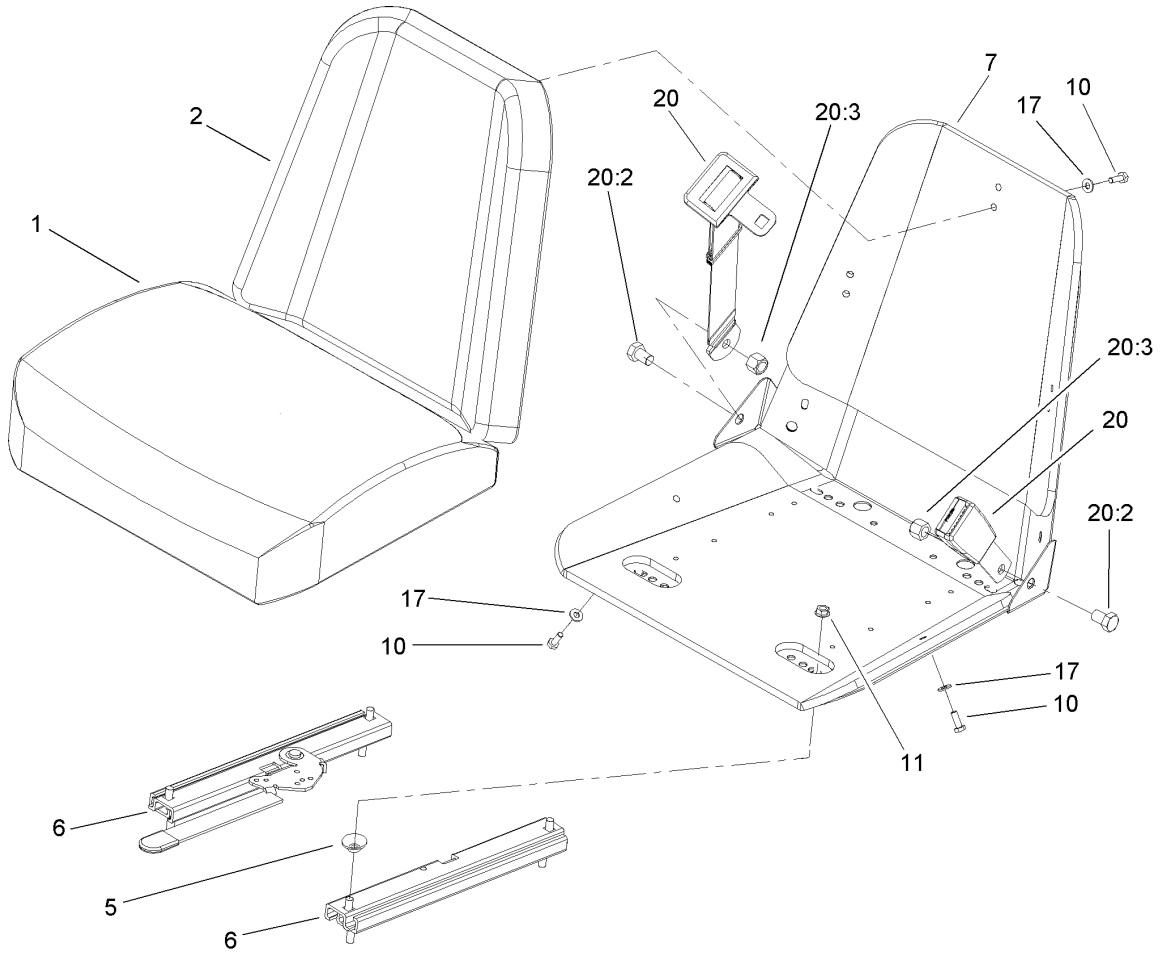
Idler Assembly

Ref	Part No.	Qty.	Description	
1	108-4062	1	Idler Arm ASM	
1:2	103-4681	2	Sleeve-Bearing	
2	1-603496	1	Bushing-Idler	
3	1-603044	2	Bushing	
4	1-603402	1	Spring-Extension	
5	3256-24	2	Washer-Flat	
6	1-633109	1	Idler-Flat	
7	3231-6	1	Screw-CARR	
8		1	Stop Pad ASM	
8:1	106-3229	1	Pad-Bumber	
8:2	107-1697-01	1	Plate-Stop	
8:3	3269-24	2	Rivet	
9	3290-357	5	Nut-HHF	
10	302-5	1	Fitting-Grease	
11	3231-31	1	Screw-CARR	
12	108-4072	1	Guide-Belt	
13	3231-1	1	Screw-CARR	
14	323-12	1	Screw-HH	
15	2844	2	Washer	
16	3256-4	1	Washer-Flat	
17	108-2239	1	Stop-Plastic	



Seat and Bracket Assembly

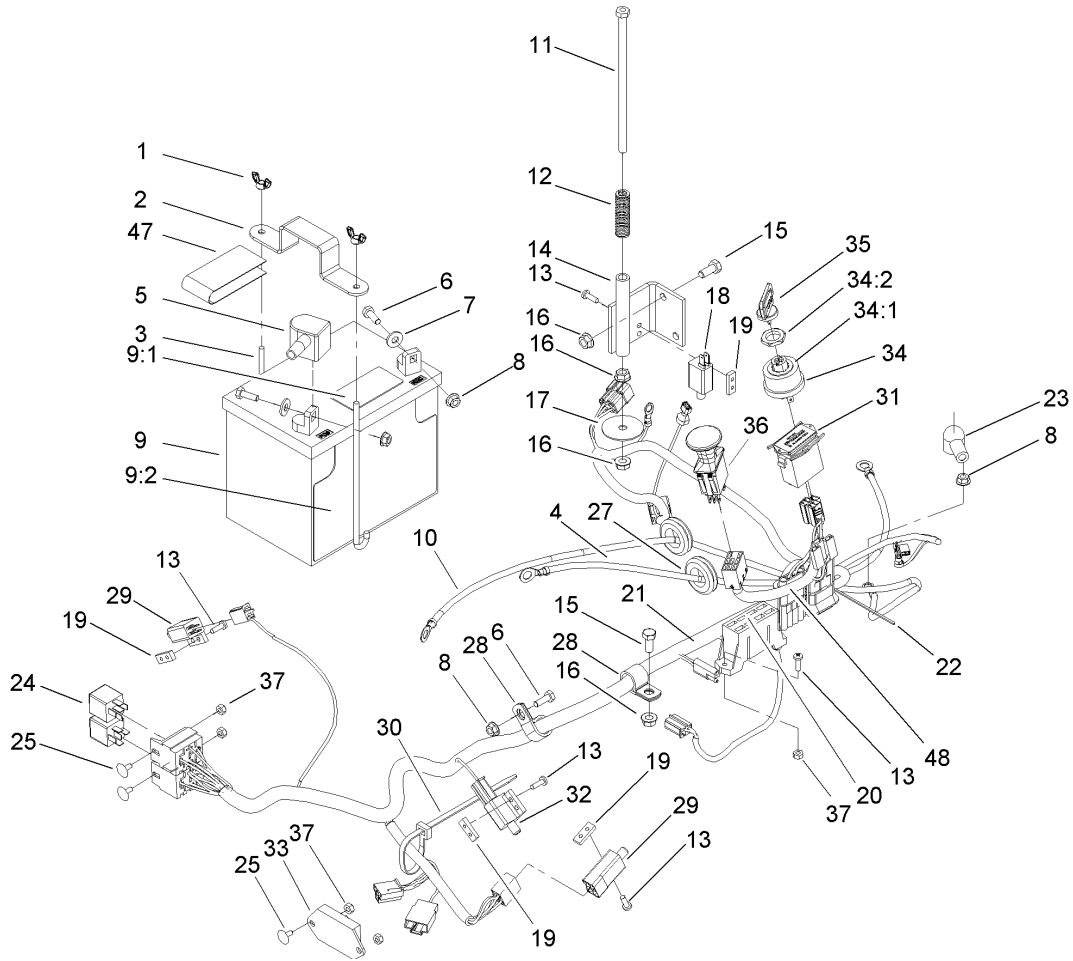
Ref	Part No.	Qty.	Description				
1	107-3052-03	1	Seat Support Frame ASM				
2	323-39	2	Screw-HH				
3	3296-29	3	Nut-Lock, NI				
4	103-1731	1	Rod-Retainer, Seat				
5	107-2116	1	Seat ASM				
6	99-4693	1	Decal				
7	2412-120	2	R-Clamp				
8	104-7048	1	Cap-Housing				
9	32104-76	2	Screw				
10	104-7050	1	Housing-Manual				
11	322-5	1	Screw-HH				
12	103-5961	1	Catch-Latch, Seat				
13	3296-39	3	Nut-Lock, NI				
14	323-20	1	Screw-HH				
15	107-0076	1	Spring-Torsion				
16	107-0075	1	Bushing-Latch, Seat				
17	107-3083	1	Latch ASM				
18	62-9130	1	Grip-Handle				
19	3256-24	1	Washer-Flat				
20	322-4	2	Screw-HH				



Seat Assembly No. 107-2116

Ref	Part No.	Qty.	Description
1	103-0290	1	Cushion-Seat, Bottom
2	104-7754	1	Cushion-Seat, Back
5	1-543401	4	Spacer-Track
6	1-643255	1	Track-Seat
7	1-633859	1	Frame-Seat
10	321-4	5	Screw-HH
11	32128-20	4	Nut-HF
17	3256-22	5	Washer-Flat
20	103-4469	1	Seatbelt Kit
20:2	3212-4	2	Screw-HH
20:3	3296-38	2	Nut-Lock NI

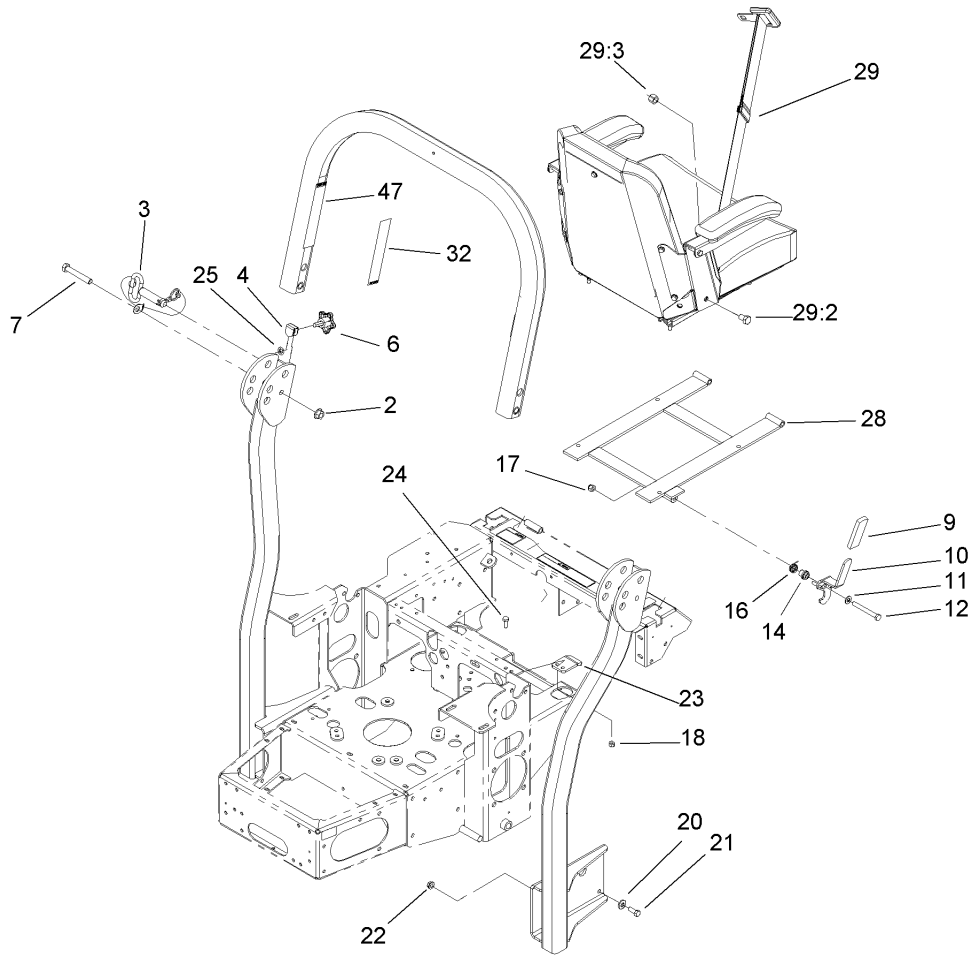
--	--	--	--



Electrical System Assembly

Ref	Part No.	Qty.	Description
1	1-543792	2	Wingnut
2	1-633652-03	1	Strap-Holddown
3	1-633651	2	Bolt-Holddown
4	1-543767	1	Wire-Ground
5	1-543391	1	Insulator-Battery
6	321-4	3	Screw-HH
7	3256-2	2	Washer-Flat
8	32128-33	3	Nut-HF
9	105-1692	1	Battery
9:1	104-4163	1	Decal-Battery
9:2	104-4164	1	Decal-Battery
10	1-523281	1	Wire-Starter
11	1-800282	1	Screw-HH
12	1-523415	1	Spring-Switch, Seat
13	1-803075	10	Screw-Head, Truss
14	1-652072-03	1	Bracket-Switch, Seat
15	322-3	3	Screw-HH
16	32128-20	5	Nut-HF
17	1-653036	1	Washer
18	1-513152	1	Switch-Closed, Normally
19	1-633181	4	Plate-Tapped
20	1-816001	2	Fuse-Blade Type, 20 Amp
21	107-8053	1	Harness-Electrical
22	1-303287	3	Tie-Plastic

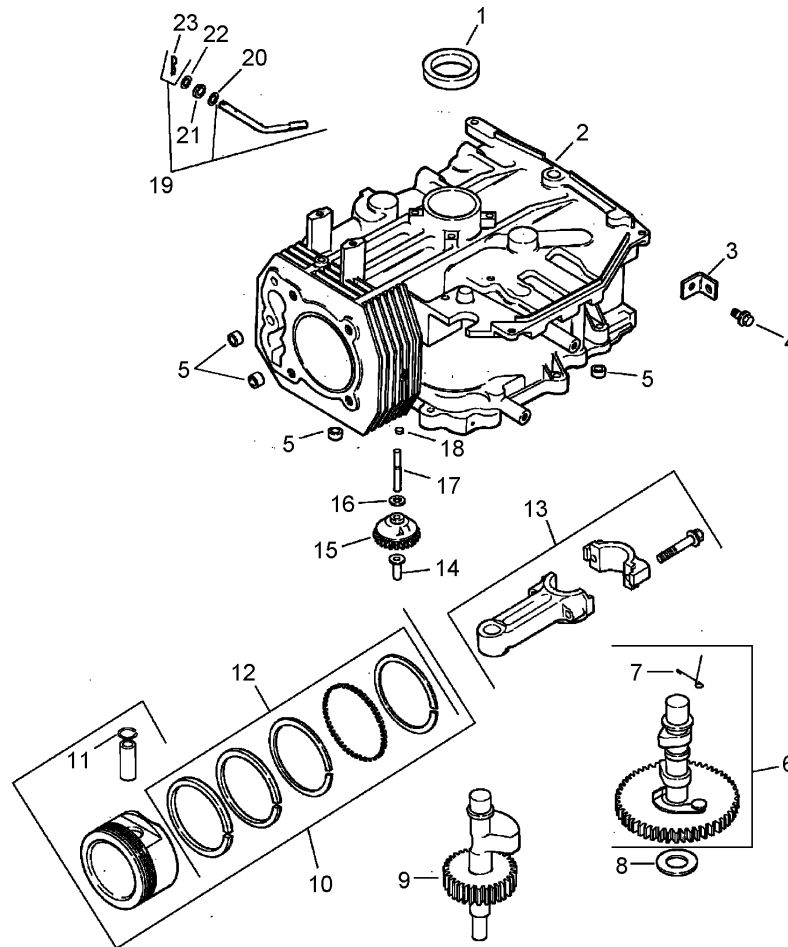
Ref	Part No.	Qty.	Description
23	1-543393	1	Insulator-Solenoid
24	1-643275	2	Relay
25	1-807513	4	Bolt-CARR
27	1-543286	3	Grommet
28	1-633396	2	Clip-Loom
29	1-513051	2	Switch-Open, Normally
30	1-303335	4	Tie-Plastic
31	1-513374	1	Meter-Hour
32	1-633111	1	Switch
33	100-6186	1	Module-Delay, Seat
34	88-9830	1	Key Switch ASM
34:1	3254-5	1	Washer-Tooth
34:2	218-461	1	Nut-HH
35	63-8360	2	Key-Ignition
36	1-633673	1	Switch-Delta
37	3296-2	6	Nut-Lock
47	107-9309	1	Decal-Instructions, Charging
48	107-8054	1	Harness-Electrical, Control Panel



Roll-Over-Protection-System Assembly No. 107-8093

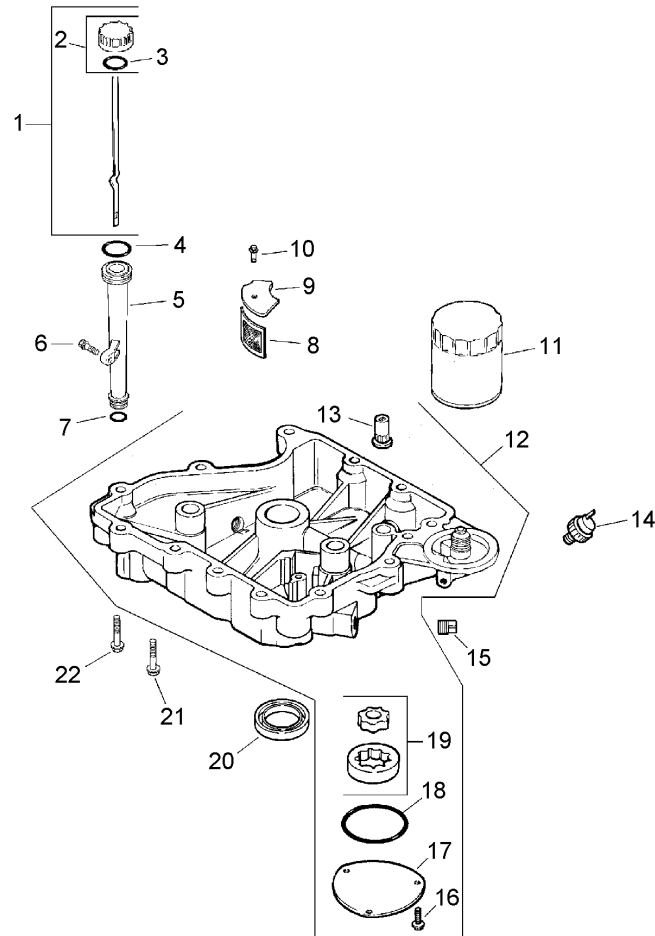
Ref	Part No.	Qty.	Description
2	32128-23	2	Nut-HF
3	103-4553	2	Rops Fold Pin ASM
4	107-3124	2	Clip
6	106-0887	2	Knob
7	325-13	2	Screw-HH
9	62-9130	1	Grip-Handle
10	107-3083	1	Latch ASM
11	3256-24	1	Washer-Flat
12	323-20	1	Screw-HH
14	107-0075	1	Bushing-Latch, Seat
16	107-0076	1	Spring-Torsion
17	3296-39	1	Nut-Lock, NI
18	3296-29	2	Nut-Lock, NI
20	98-5975	8	Washer-Belleville
21	323-6	8	Screw-HH
22	3290-357	8	Nut-HHF
23	107-3059	1	Catch-Latch, Seat
24	322-4	2	Screw-HH
25	107-3154	2	Nut-Push
28	107-3052-03	1	Seat Support Frame ASM
29	103-4469	1	Seatbelt Kit
29:2	3212-4	2	Screw-HH
29:3	3296-38	2	Nut-Lock NI
32	107-3069	1	Decal-Warning, Folding Rops

Ref	Part No.	Qty.	Description
47	107-2102	1	Decal-Warning, Folding Rops



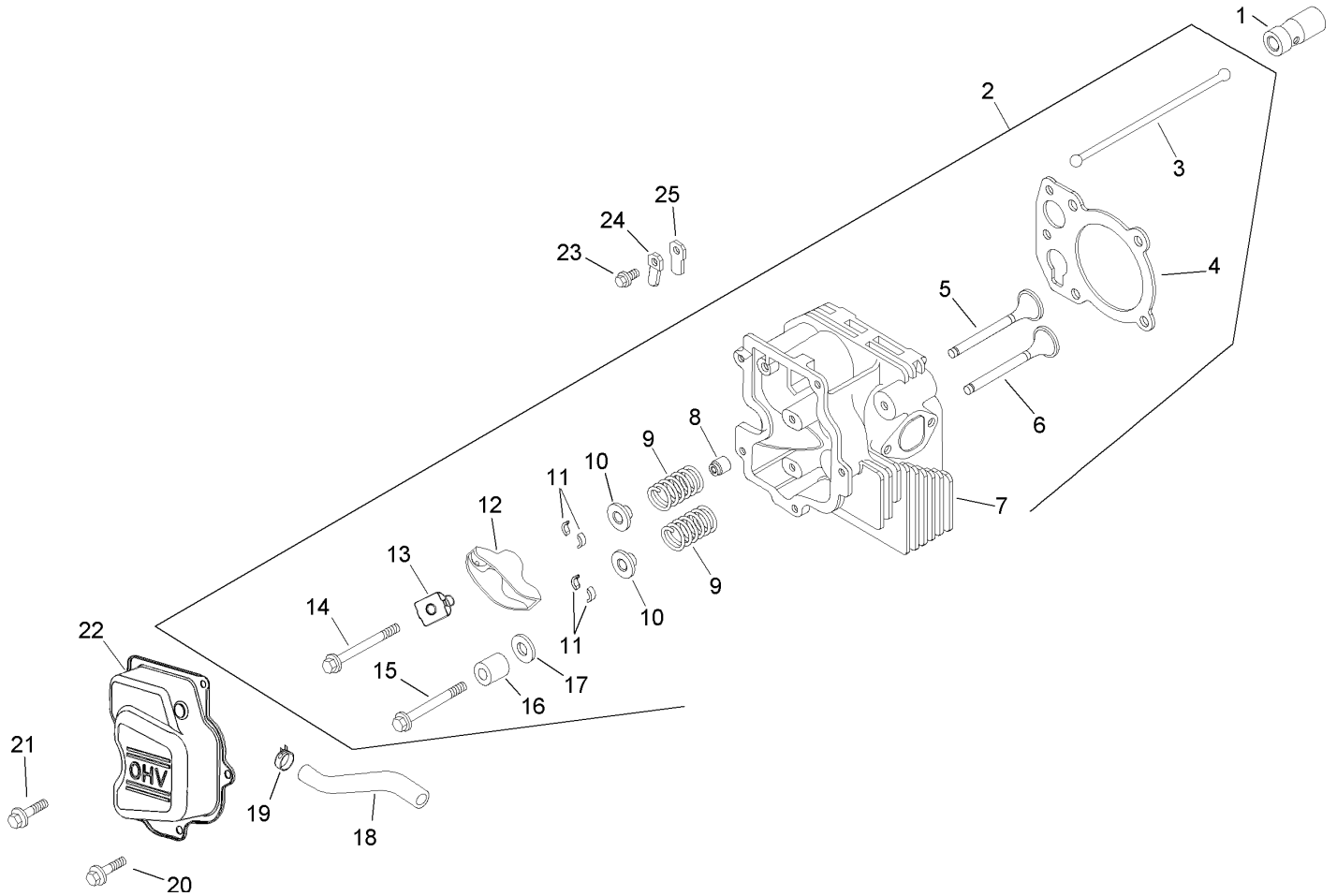
Group 2 - Crankcase Assembly Kohler CV493S 27528

Ref	Part No.	Qty.	Description	Ref	Part No.	Qty.	Description
④1	12 032 03-S	1	Seal-Oil, Front	④12	12 108 09-S	2	Ring Set (.50)
②④2		1	Crankcase (Use Short Block Or Miniblock)	④13	12 067 11-S	1	Rod-Connecting (Std.)
④3	12 445 02-S	1	Strap-Lifting	④13	12 067 12-S	1	Rod-Connecting (.25)
④4	M-839025-S	1	Screw-Hex Flange, M8x1.25x25	④14	12 380 01-S	1	Pin-Governor Regulating
④5	24 380 13-S	4	Pin-Locating	④15	12 043 05-S	1	Gear-Governor
④6	12 010 30-S	1	Camshaft ASM (Incl. Ref. #7)	④16	M-631005-S	1	Washer-Plain (6 Mm)
④7	12 089 37-S	1	Spring-Actuating	④17	12 144 02-S	1	Shaft-Governor Gear
④8	12 422 08-S	1	Shim-Camshaft, Blue	④18	52 139 09-S	1	Plug-Cup
④8	12 422 09-S	1	Shim-Camshaft, Red	④19	12 755 64-S	1	Governor Cross Shaft Kit (Incl. Ref. #23)
④8	12 422 10-S	1	Shim-Camshaft, Yellow	④20	X-25-102-S	1	Washer-Plain, 1/4in
④8	12 422 11-S	1	Shim-Camshaft, Green	④21	12 032 01-S	1	Seal-Cross Shaft, Governor
④8	12 422 12-S	1	Shim-Camshaft, Gray	④22	M-631015-S	1	Washer-Plain, 6mm
④8	12 422 13-S	1	Shim-Camshaft, Black	④23	12 154 05-S	1	Clip-Pin, Hitch
④8	12 422 07-S	1	Shim-Camshaft, White				
④9	12 144 28-S	1	Shaft-Balance				
④10	12 874 07-S	1	Piston W/ring Set (Std.) (Incl. Ref. #11 And 12)				
④10	12 874 11-S	1	Piston W/ring Set (.08)				
④10	12 874 08-S	1	Piston W/ring Set (.25)				
④10	12 874 09-S	1	Piston W/ring Set (.50)				
④11	12 018 02-S	2	Retainer-Pin, Piston				
④12	12 108 07-S	2	Ring Set (Std. & .08)				
④12	12 108 08-S	2	Ring Set (.25)				



Group 3 - Oil Pan/Lubrication Assembly Kohler CV493S 27528

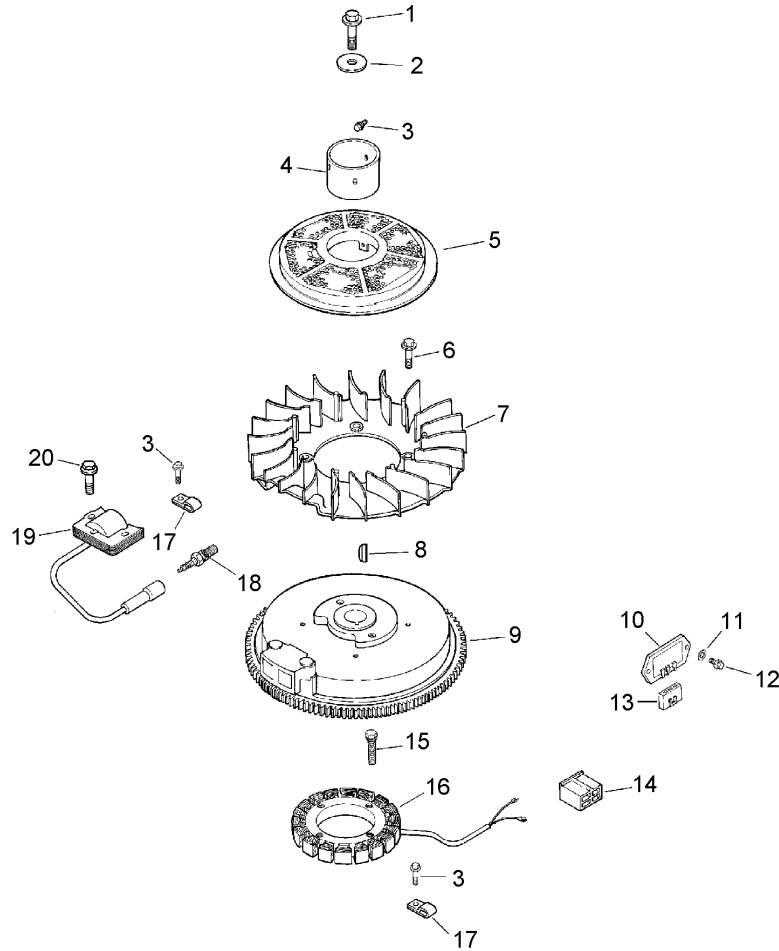
Ref	Part No.	Qty.	Description				
④1	12 038 01-S	1	Dipstick (Incl. Ref. #2 And 3)				
④2	25 755 13-S	1	Oil Fill Cap (Incl. Ref. #3)				
④3	25 153 02-S	1	O-Ring				
④4	12 153 02-S	1	O-Ring (Upper Oil Fill Tube)				
④5	12 123 04-S	1	Tube-Fill, Oil				
④6	M-545020-S	1	Screw-Hex Flange, M5x0.8x20				
④7	12 153 01-S	1	O-Ring (Lower Oil Fill Tube)				
④8	25 162 07-S	1	Screen-Pickup, Oil				
④9	12 096 03-S	1	Cover-Screen, Oil Pickup				
④10	M-545016-S	1	Screw-Hex Flange, M5x0.8x16				
④11	12 050 01-S	1	Filter-Oil				
④12	12 199 50-S	1	Oil Pan ASM (Incl. Ref. #13, 16-19)				
④13	25 462 09-S	1	Valve-Relief, Oil Pressure				
④14	24 099 03-S	1	Switch-Pressure, Oil				
④15	25 139 57-S	2	Plug-Sq. Hd. 3/8 N.p.t.f.				
④16	M-545016-S	3	Screw-Hex Flange, M5x0.8x16				
④17	12 096 34-S	1	Cover-Pump, Oil				
④18	12 153 06-S	1	O-Ring (Oil Pump Cover)				
④19	12 393 01-S	1	Oil Pump ASM				
④20	12 032 03-S	1	Seal-Oil, Front				
④21	24 086 16-S	11	Screw-Hex Flange, M8x1.25x45				
④22	24 086 17-S	1	Screw-Hex Flange, M8x1.25x45				



Group 4 - Head/Valve/Breather Assembly Kohler CV493S 27528

Ref	Part No.	Qty.	Description
④1	25 351 01-S	2	Lifter-Valve
④2	12 755 101-S	1	Cylinder Head Kit (Incl. Ref. #3-17)
④3	12 411 05-S	2	Rod-Push
④4	12 041 10-S	1	Gasket-Head, Cylinder
④5	12 017 01-S	1	Valve-Intake (Std.)
④6	12 016 01-S	1	Valve-Exhaust (Std.)
④7	12 318 51-S	1	Head-Cylinder
④8	66 032 05-S	2	Seal-Valve Stem
④9	12 089 34-S	2	Spring-Valve
④10	12 173 01-S	2	Cap-Spring, Valve
④11	12 755 03-S	1	Retainer Kit
④12	25 186 01-S	2	Arm-Rocker
④13	12 599 03-S	2	Pivot-Arm, Rocker
④14	M-645016-S	3	Screw-Hex Flange, M6x1.0x16
④15	M-640034-S	2	Screw-Hf, M6x1.0x34
④16	12 112 16-S	2	Spacer
④17	12 468 05-S	1	Washer-Plain, 13/32in
④18	12 326 18-S	1	Hose-Breather
④19	25 237 14-S	1	Clamp-Breather
④20	20 086 02-S	4	Screw-Hf, M10x1.5x81
④21	12 086 16-S	1	Screw-Hf, Reduced
④22	12 096 47-S	1	Cover-Valve
④23	M-545010-S	1	Screw-Hex Flange, M5x0.8x10
④24	66 018 04-S	1	Retainer-Breather Reed

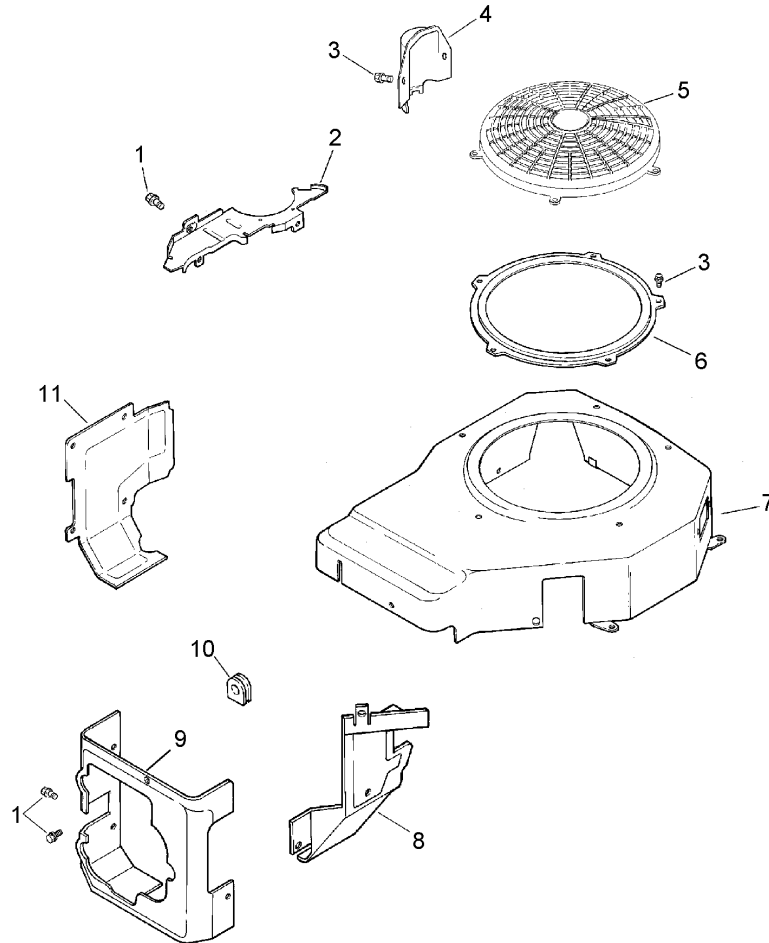
Ref	Part No.	Qty.	Description
④25	12 402 02-S	1	Reed-Breather
①④	12 017 02-S	1	Valve-Intake (.25)
①④	12 016 02-S	1	Valve-Exhaust (.25)
①④	12 041 01-S	2	Gasket-Carburetor
①④	12 041 02-S	1	Gasket-Base, Air Cleaner
①④	12 041 03-S	1	Gasket-Manifold, Exhaust



Group 5 - Ignition/Electrical Assembly Kohler CV493S 27528

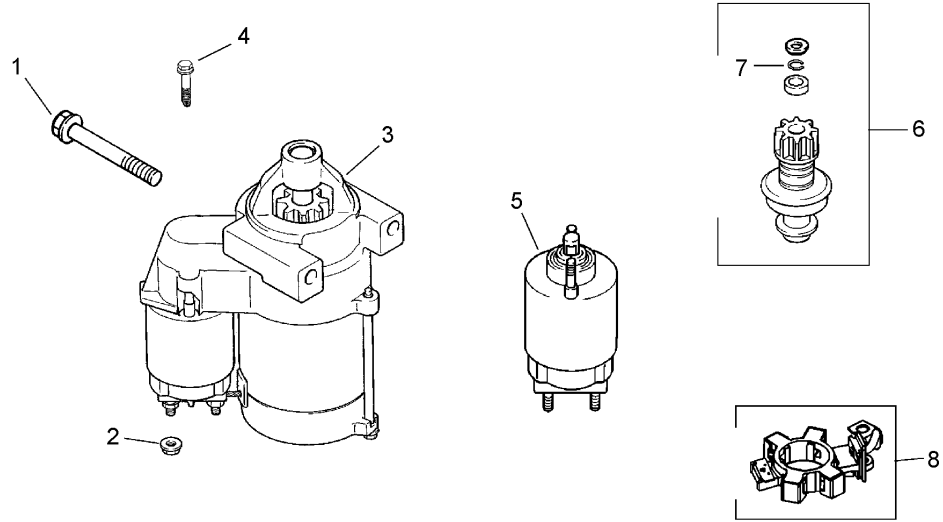
Ref	Part No.	Qty.	Description
④1	12 086 14-S	1	Screw-Hex Flange, M10x1.5x46
④2	12 468 03-S	1	Washer-Plain (3/8)
④3	M-545010-S	5	Screw-Hex Flange, M5x0.8x10
④4	12 109 03-S	1	Cup-Mounting, Screen
④5	12 162 09-S	1	Screen-Grass
④6	25 086 47-S	4	Bolt-Shoulder, M6x1.0x16
④7	12 157 03-S	1	Fan
④8	X-42-15-S	1	Key
④9	12 025 56-S	1	Flywheel
④10	41 403 09-S	1	Rectifier-Regulator
④11	X-25-5-S	1	Washer-Steel
④12	M-639016-S	1	Screw-Hf, M6x1.0x16
④13	236602-S	1	Connector (3 Contact)
④14	41 155 02-S	1	Connector (5 Contact)
④15	M-548025-S	2	Screw-Hex. Cap, M5x0.8x25
④16	237878-S	1	Stator Kit (Includes Terminal 25 452 01-S)
④17	X-728-1-S	2	Clip
④18	12 132 02-S	1	Spark Plug
④19	12 584 04-S	1	Module-Ignition
④20	M-545020-S	2	Screw-Hex Flange, M5x0.8x20
①④	12 126 96-S	1	Bracket-Strap, Ground
①④	25 452 01-S	1	Terminal

Ref	Part No.	Qty.	Description
①④	25 518 05-S	1	Lead-Black, Rectifier To Connector (5in, 14 Gauge, Uninsulated Push On Tab Terminals)
①④	12 518 01-S	1	Lead, White, Ground To Kill (19in, 18 Gauge, Fully Insulated Push On Tab And Uninsulated Push On Tab Terminals)



Group 6 - Blower Housing and Baffle Assembly Kohler CV493S 27528

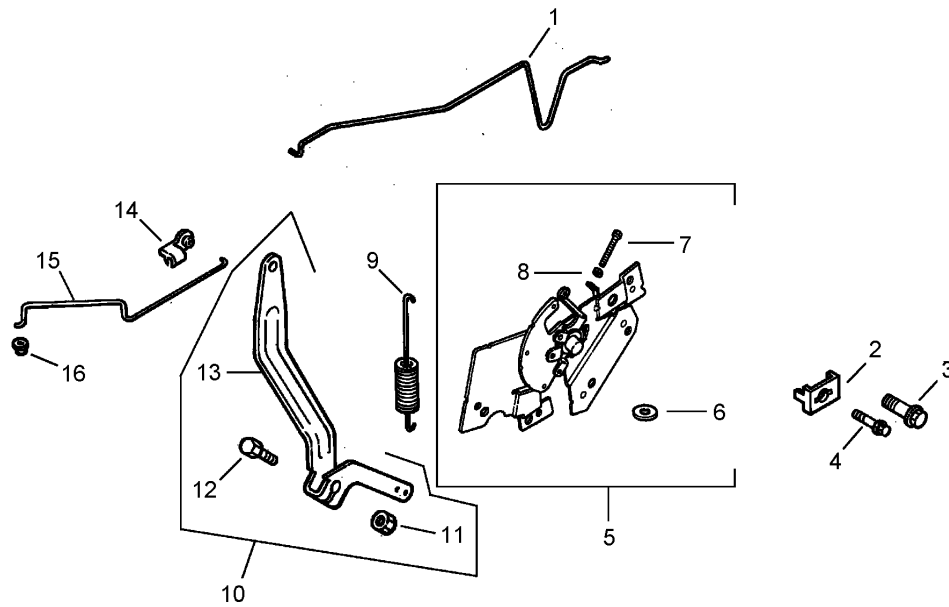
Ref	Part No.	Qty.	Description				
④1	M-545010-S	6	Screw-Hex Flange, M5x0.8x10				
④2	12 146 07-S	1	Plate-Housing, Blower				
④3	M-550010-S	11	Screw-Hf, M5x0.8x10				
④4	12 096 33-S	1	Cover-Starter				
④5	12 314 07-S	1	Guard-Stylized				
④6	12 314 10-S	1	Guard-Screen, Grass				
④7	12 027 53-S	1	Housing-Blower				
④8	12 063 18-S	1	Baffle (Intake Side)				
④9	12 063 20-S	1	Baffle (Cylinder Head)				
④10	12 313 03-S	1	Grommet-Spark Plug				
④11	12 063 19-S	1	Baffle (Cylinder)				
①④	M-545016-S	1	Screw-Hex Flange, M5x0.8x16				
①④	M-561016-S	1	Screw-Hf, M5x0.8x16				
①④	24 113 18-S	1	Decal-Screen, Grass				
①④	12 113 125-S	1	Decal-18hp				
①④	25 113 39-S	1	Decal-Clear Lamination				



Group 7 - Starting System Assembly Kohler CV493S 27528

Ref	Part No.	Qty.	Description
①	M-839080-S	2	Screw-Hex Flange, M8x1.25x80
②	M-841080-S	1	Nut-Hex Flange, M8x1.25
③	25 098 09-S	1	Starter ASM (Incl. Ref. #4-8)
④	25 086 113-S	3	Screw-External Torx Head
⑤	25 435 05-S	1	Solenoid Kit (Includes 4)
⑥	25 755 33-S	1	Pinion Drive Kit (Incl. Ref. #7)
⑦	25 141 05-S	1	Ring
⑧	25 221 01-S	1	Brush Kit

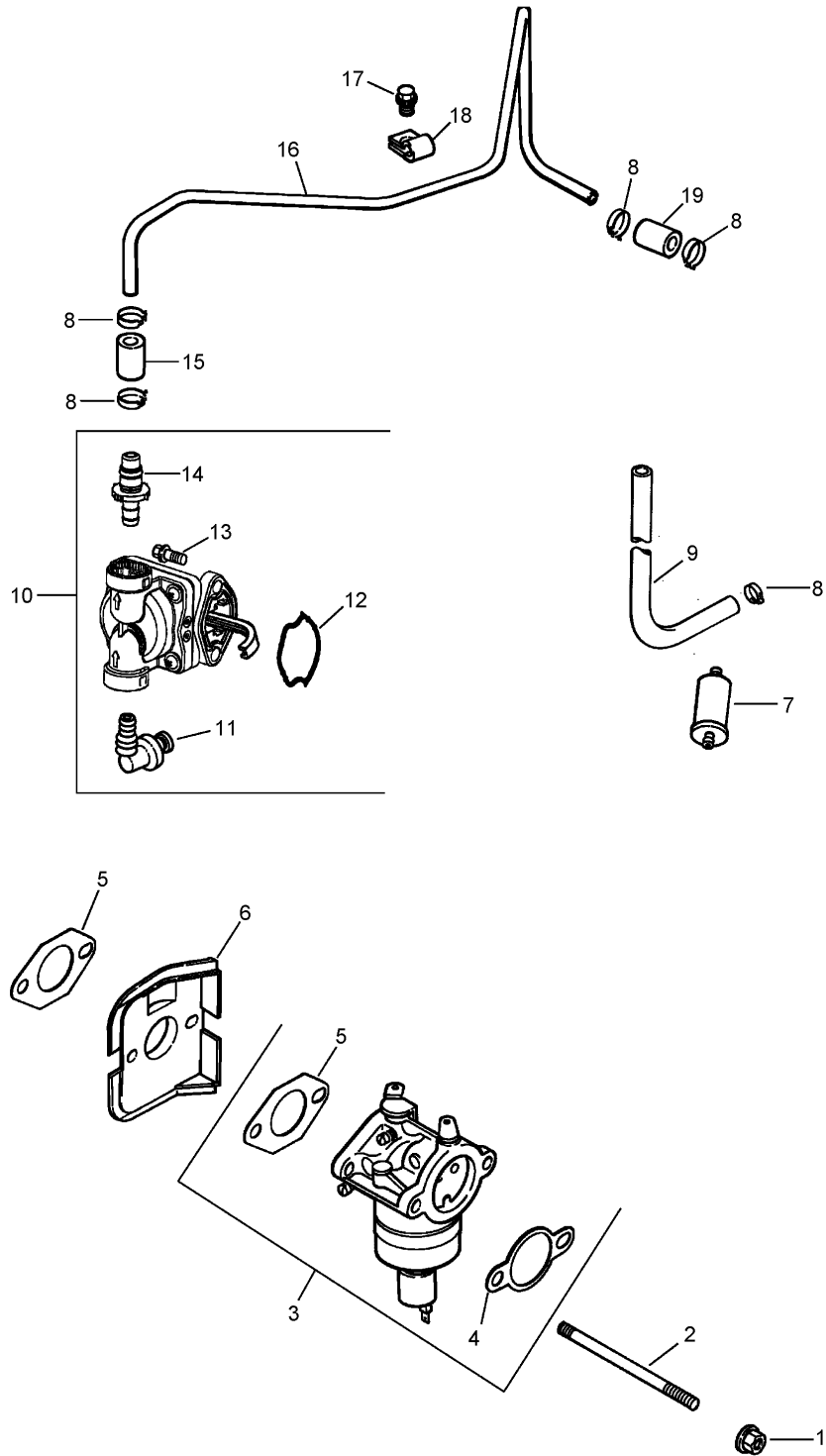
--	--	--	--



Group 9 - Engine Control Assembly Kohler CV493S 27528

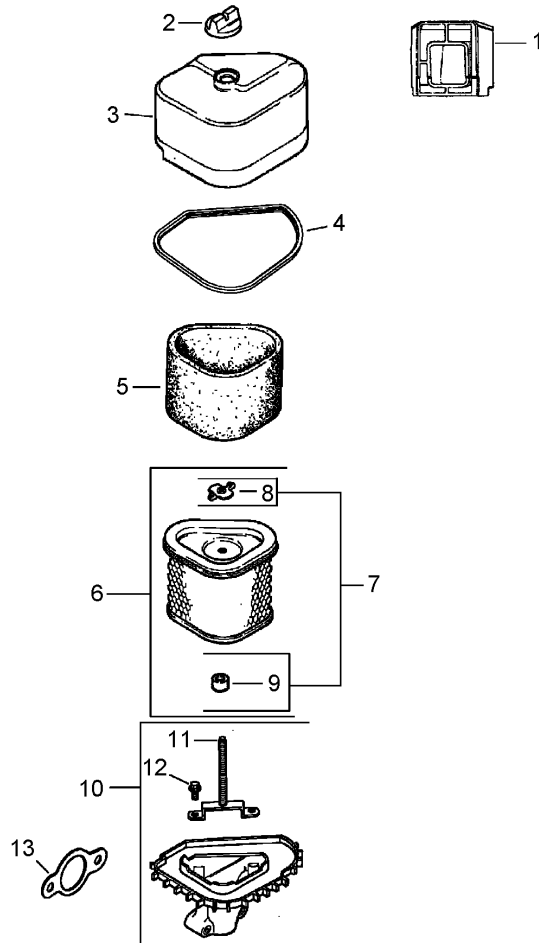
Ref	Part No.	Qty.	Description				
④1	12 079 11-S	1	Linkage-Choke				
④2	12 237 01-S	2	Clamp-Cable				
④3	M-545016-S	2	Screw-Hex Flange, M5x0.8x16				
④4	M-664020-S	2	Screw-Lobed Socket, M6x1.0x20				
④5	12 536 02-S	1	Speed Control ASM (Incl. Ref. #6-8)				
④6	230293-S	1	Spacer-Shim				
④7	M-401030-S	1	Screw-Hf, M4x0.7x30				
④8	M-446030-S	1	Nut-Hf, M4x0.7				
④9	52 089 07-S	1	Spring-Governor				
④10	12 755 83-S	1	Governor Lever Kit (Incl. Ref. #11-13)				
④11	12 100 07-S	1	Nut-Hf, M6x1.0				
④12	52 211 04-S	1	Screw-Hf, M6x1.0x25				
④13	12 090 28-S	1	Lever-Governor				
④14	25 158 11-S	1	Bushing-Linkage Retaining				
④15	12 079 10-S	1	Linkage-Throttle				
④16	25 158 08-S	1	Bushing-Linkage Retaining				

Group 8 - Fuel System Assembly Kohler CV493S 27528



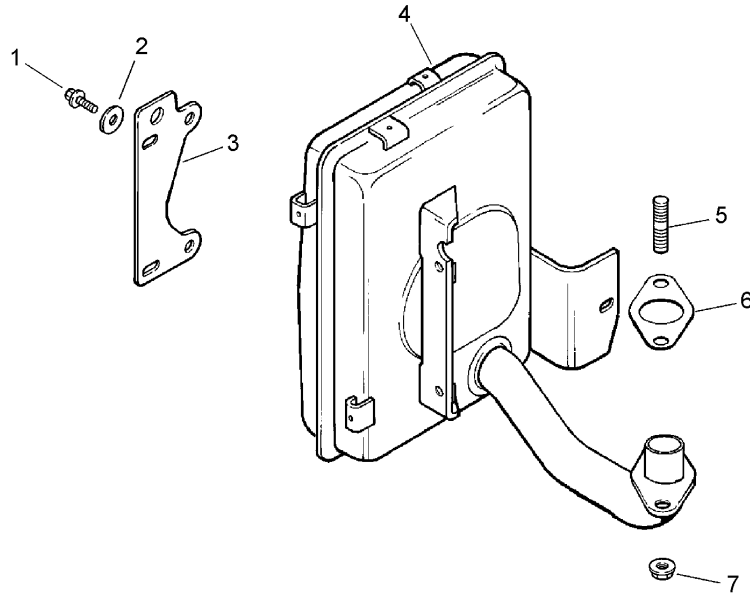
Group 8 - Fuel System Assembly Kohler CV493S 27528

Ref	Part No.	Qty.	Description				
④1	M-641060-S	2	Nut-Hex Flange, M6x1.0				
④2	M-629116-S	2	Stud-M6x1.0x116				
④3	12 853 149-S	1	Carburetor Kit (Incl. Ref. #4, 5, [qty. 1], Tie 12 454 03-S, And Terminal 25 452 20-S)				
④4	12 041 02-S	1	Gasket-Base, Air Cleaner				
④5	12 041 01-S	2	Gasket-Carburetor				
④6	12 265 06-S	1	Deflector-Heat				
④7	25 050 08-S	1	Filter-Fuel				
④8	25 237 14-S	6	Clamp-Breather				
④9	52 353 18-S	1	Line-Fuel, 8in				
④10	12 559 02-S	1	Fuel Pump Kit (Incl. Ref. #11-14)				
④11	12 294 13-S	1	Fitting-90 DEG				
④12	25 153 04-S	1	O-Ring (Fuel Pump)				
④13	M-664020-S	2	Screw-Lobed Socket, M6x1.0x20				
④14	24 294 09-S	1	Fitting-Straight				
④15	12 353 01-S	1	Line-Fuel, 1-1/4in				
④16	12 123 19-S	1	Line-Fuel. Metal				
④17	M-545010-S	1	Screw-Hex Flange, M5x0.8x10				
④18	12 154 01-S	1	Clamp-Line, Fuel				
④19	41 353 18-S	1	Line-Fuel, 2-1/2in				
①④	12 757 02-S	1	Float Kit				
①④	12 757 03-S	1	Carburetor Repair Kit				
①④	12 757 36-S	1	Throttle Shaft Bearing Kit				
①④	12 757 37-S	1	Bowl Replacement Kit				



Group 10 - Air Intake/Filtration Assembly Kohler CV493S 27528

Ref	Part No.	Qty.	Description				
④1	12 281 02-S	1	Duct-Air				
④2	20 341 01-S	1	Knob-Cover				
④3	12 096 44-S	1	Cover-Cleaner, Air				
④4	12 032 14-S	1	Seal				
④5	12 083 12-S	1	Precleaner				
④6	12 083 10-S	1	Element-Cleaner, Air (Incl. Ref. # 8 And 9)				
④7	12 743 12-S	1	Air Cleaner Kit (Incl. Ref. #8 And 9)				
④8	12 100 01-S	1	Nut-Wing				
④9	12 032 11-S	1	Seal				
④10	12 094 13-S	1	Base-Cleaner, Air (Incl. Ref. #11 And 12)				
④11	12 072 04-S	1	Stud-Plate, Mounting				
④12	12 086 01-S	2	Screw				
④13	12 041 02-S	2	Gasket-Base, Air Cleaner				
①④	12-113-04-S	1	Decal-Cleaner, Air				



Group 11 - Exhaust Assembly Kohler CV493S 27528

Ref	Part No.	Qty.	Description				
④1	M-645025-S	2	Screw-Hex Flange, M6x1.0x25				
④2	12 112 20-S	2	Spacer				
④3	12 126 71-S	1	Bracket-Muffler				
④4	12 068 54-S	1	Muffler				
④5	25 072 04-S	2	Stud, M8x1.25x33				
④6	12 041 03-S	2	Gasket-Manifold, Exhaust				
④7	M-841080-S	2	Nut-Hex Flange, M8x1.25				
①④	M-545010-S	1	Screw-Hex Flange, M5x0.8x10				
①④	M-645016-S	2	Screw-Hex Flange, M6x1.0x16				
①④	12 265 07-S	1	Deflector-Exhaust				
①④	M-545010-S	4	Screw-Hex Flange, M5x0.8x10				
①④	12 755 93-S	1	Gasket Set				

