



# Z453 Z Master<sup>®</sup>

## With 48in TURBO FORCE Side Discharge Mower

Model No. 74417 - 250000001 and up.

## Parts Catalog

### Ordering Replacement Parts

To order replacement parts, please supply the part number, the quantity, and the description of each part desired.

### Understanding Reference Numbers

Each Identified part in an illustration has a reference number. The reference number for a part also appears in the parts list, along with other information about the part.

This catalog uses two special reference number formats, one to indicate parts in a service assembly and another to indicate the quantity of a given part in an illustration.

### Service Assembly Reference Numbers

Parts in service assemblies have reference numbers in the form a:b. The a represents the reference number of the entire service assembly and the b represents a sequential number unique to each part within the service assembly.

For example, a wheel assembly might be identified by reference number 6, the tire by 6:1, the valve by 6:2, and the wheel by 6:3. When you order the assembly identified by reference number 6, you receive all parts identified by reference numbers 6:1, 6:2, and 6:3. However, you may also order any part individually. Reference numbers of this type appear in illustrations and in part lists.

### Reference Numbers Indicating Quantity

In an illustration, if a reference number indicates more than one part, the reference number has the form nX y. The n represents the quantity of the part, the X is the multiplication symbol, and the y represents the reference number.

For example, in an illustration, the reference number 2X 37 means that two of the parts identified by reference number 37 are indicated.

# Contents

Description	Page	Description	Page
Front Frame Assembly	..... 3	Roll-Over-Protection-System Assembly No. 107-8093	..... 26
Caster Wheel Assembly No. 1-634662	..... 4	Cylinder/Crankcase Assembly Kawasaki FH680V-AS21	..... 27
Height of Cut Assembly	..... 5	Piston/Crankshaft Assembly Kawasaki FH680V-AS21	..... 28
Main Frame Assembly	..... 6	Valve/Camshaft Assembly Kawasaki FH680V-AS21	..... 29
Fuel System Assembly	..... 7	Lubrication Equipment Assembly Kawasaki FH680V-AS21	..... 30
Parking Brake Assembly	..... 8	Cooling Equipment Assembly Kawasaki FH680V-AS21	..... 31
Motion Control Assembly	..... 9	Electric Equipment Assembly Kawasaki FH680V-AS21	..... 32
Hydraulic System Assembly	..... 10	Control Equipment Assembly Kawasaki FH680V-AS21	..... 33
Hydraulic Pump Assembly No. 103-1942	..... 12	Carburetor Assembly Kawasaki FH680V-AS21	..... 34
Pump Idler and Belt Assembly	..... 13	Air Filter and Muffler Assembly Kawasaki FH680V-AS21	..... 35
Engine, Clutch and Muffler Assembly	..... 14	Starter Assembly Kawasaki FH680V-AS21	..... 36
Deck Connection Assembly	..... 15	Fuel Tank/Fuel Valve Assembly Kawasaki FH680V-AS21	..... 37
Deck Assembly No. 107-3190	..... 16	Decal Assembly Kawasaki FH680V-AS21	..... 38
Deck Decal Assembly No. 107-8515	..... 18		
Spindle Assembly No. 107-8504	..... 19		
Rubber Deflector Assembly No. 108-4060	..... 20		
Idler Assembly	..... 21		
Electrical System Assembly	..... 22		
Seat and Bracket Assembly	..... 23		
Seat Assembly No. 107-1867	..... 24		
Roll-Over-Protection-System Assembly	..... 25		

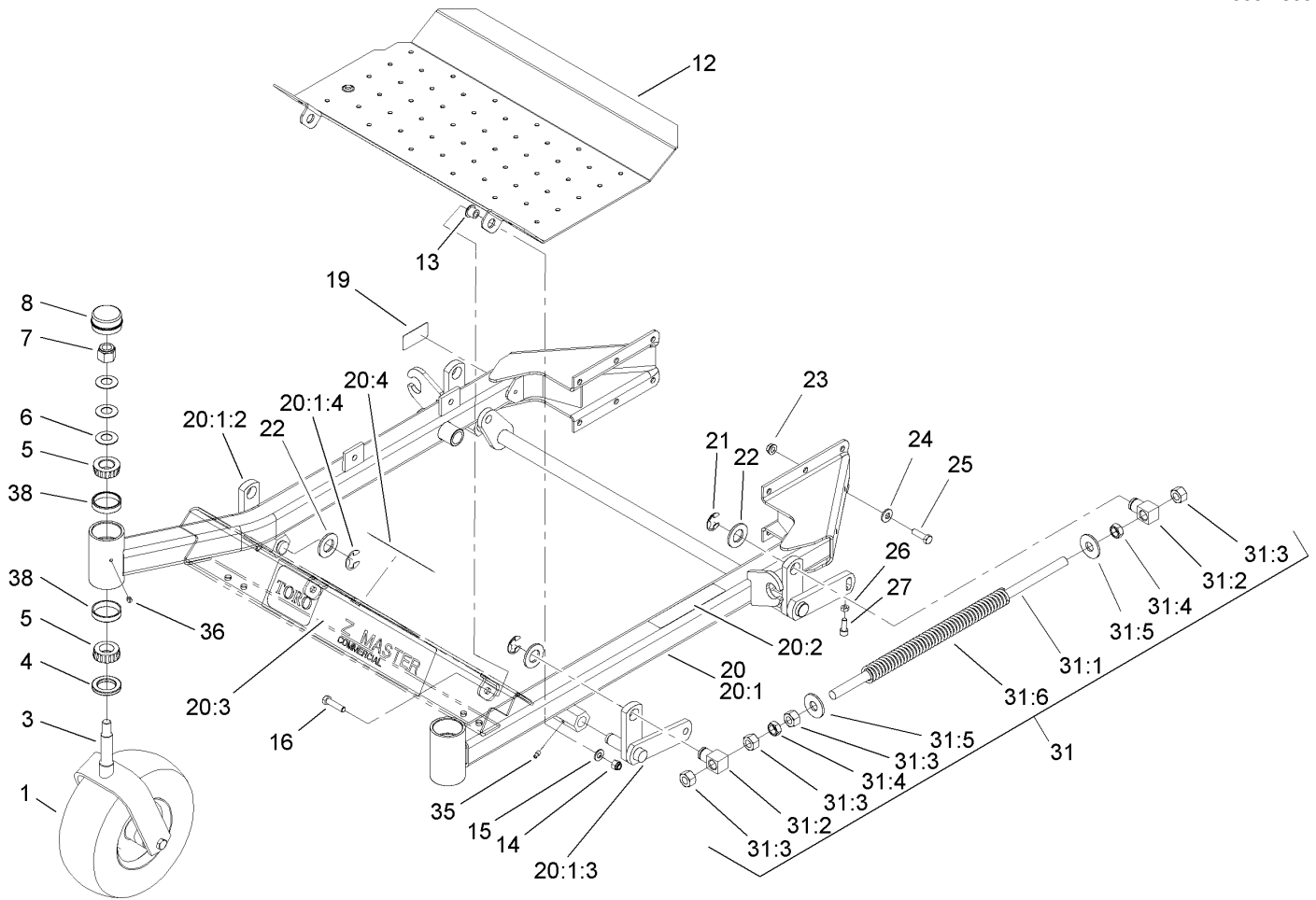
## Part Description Abbreviations

Part descriptions in this catalog may include the following abbreviations.

AR. .... as required	INC. .... incorporated
ASM. .... assembly	LH. .... left hand
CARR. .... carriage	NI. .... nylon insert
DEG. .... degrees	PPH. .... phillips pan head
FH. .... flat head	PTH. .... phillips truss head
GA. .... gauge	PTO. .... power take off
HF. .... hex flange	RH. .... right hand
HH. .... hex head	SFH. .... slotted fillister head
HHF. .... hex head flange	SHH. .... slotted hex head
HHFTF. .... hex head flange thread forming	SHWH. .... slotted hex washer head
HJ. .... hex jam	SPH. .... slotted pan head
HLH. .... hex lag head	SQH. .... square head
HOC. .... height-of-cut	SRH. .... slotted round head
HS. .... hex	STD. .... standard
HSBH. .... hex socket button head	TAP. .... self tapping
HSFH. .... hex socket flat head	TTH. .... torx truss head
HSH. .... hex socket head	WH. .... wing head
HWH. .... hex washer head	
HWHTF. .... hex washer head thread forming	
HYD. .... hydraulic	

## Footnotes

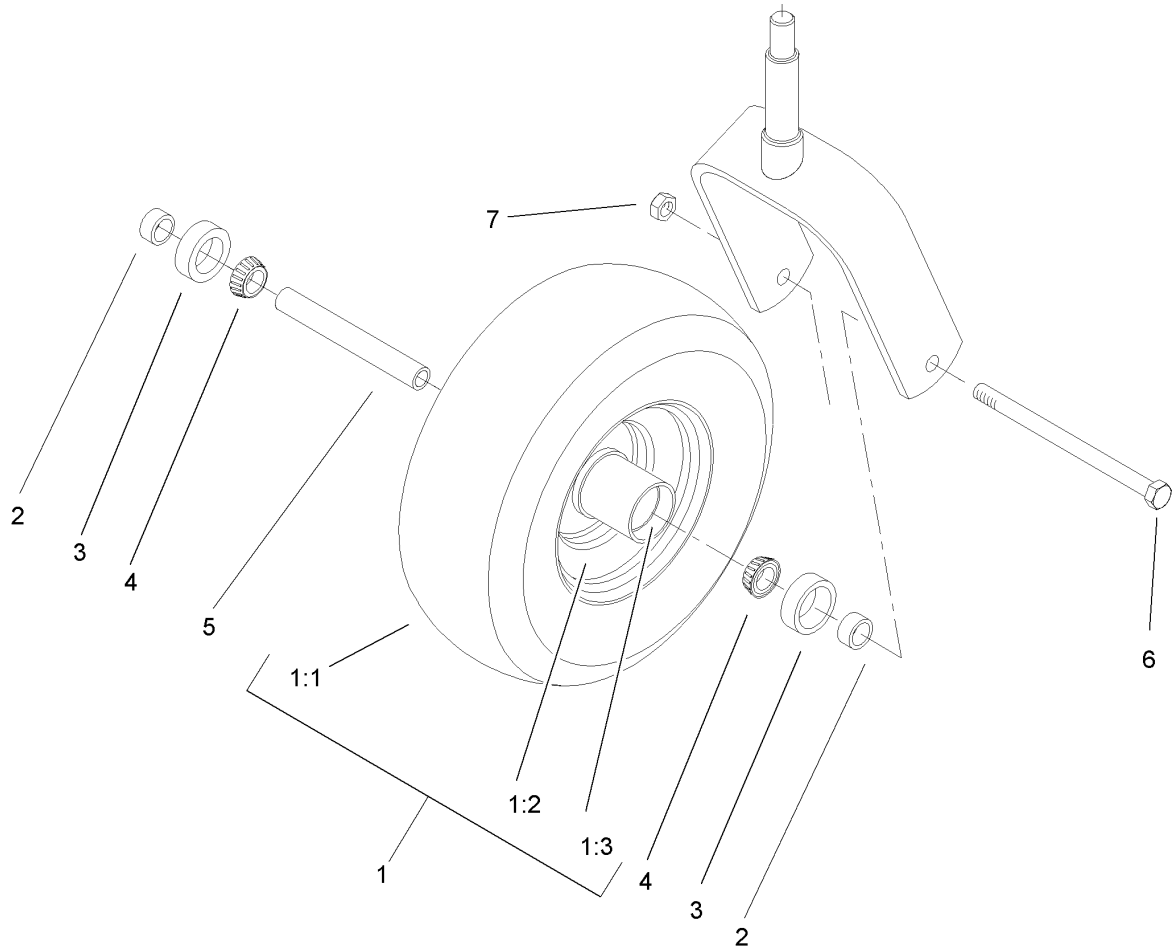
- |  |                                  |
|--|----------------------------------|
| <p>❶ Not illustrated</p> <p>❷ Obtain Parts From Kawasaki</p> | <p>❸ Not serviced separately</p> |
|--|----------------------------------|



### Front Frame Assembly

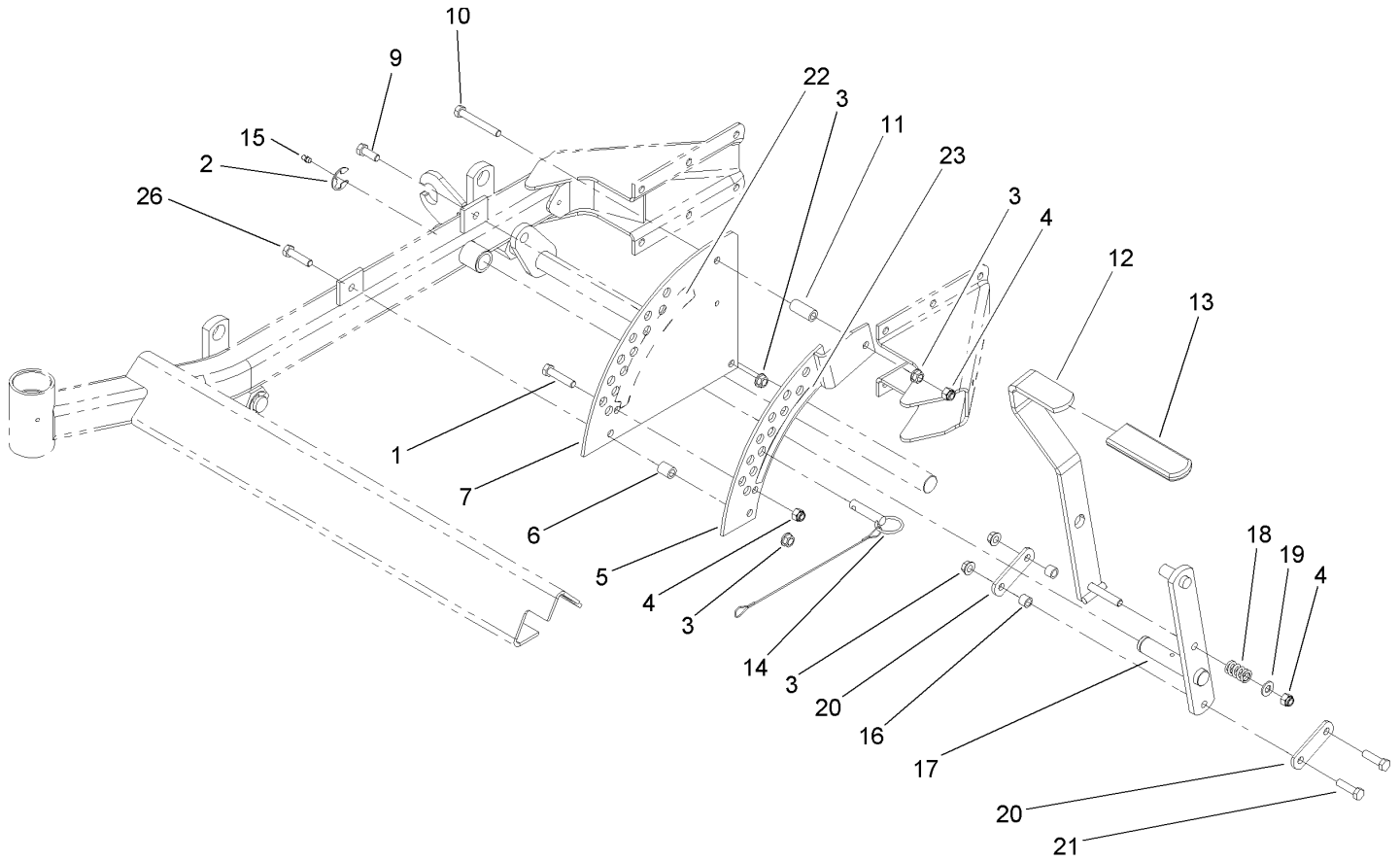
Ref	Part No.	Qty.	Description
1	1-634662	2	Caster Wheel ASM
3	1-632511-01	2	Caster
4	1-543511	2	Seal-Grease
5	254-94	4	Bearing-Cone, Tapered
6	1-633508	6	Washer-Bellville
7	3296-51	2	Nut-Lock, NI
8	1-543513	2	Cap-Grease
12	108-5007-03	1	Floor Pan
13	86-2180	2	Bushing-Flange
14	3296-39	2	Nut-Lock, NI
15	3256-24	2	Washer-Flat
16	323-8	2	Screw-HH
19	105-2625	1	Decal-Std, Safety
20	107-1650	1	Front Frame ASM
20:1		1	Frame-Front
20:1:2	99-3872-01	1	RH Lift Arm ASM
20:1:3	99-3871-01	1	LH Lift Arm ASM
20:1:4	32151-103	2	Ring-Snap
20:2	1-633818	1	Decal-Warning
20:3	106-7451	1	Decal
20:4	107-2112	1	Decal-Warning
21	32151-103	4	Ring-Snap
22	3256-29	6	Washer-Flat
23	3290-357	12	Nut-HHF

Ref	Part No.	Qty.	Description
24	98-5975	12	Washer-Belleville
25	323-7	12	Screw-HH
26	3218-2	2	Nut-Jam
27	3274-18	2	Screw-HSH
31	1-634439	2	Front Frame Spring ASM
31:1	1-633096	1	Rod-Lift, Deck
31:2	1-633441	2	Swivel-Deck Mount, Rear
31:3	3217-11	4	Nut-Hex
31:4	3218-6	2	Nut-Jam
31:5	3256-7	2	Washer-Flat
31:6	1-633064	1	Spring-Support, Deck
35	302-19	4	Fitting-Grease
36	1-811010	2	Plug
38	254-72	4	Bearing-Cup, Tapered



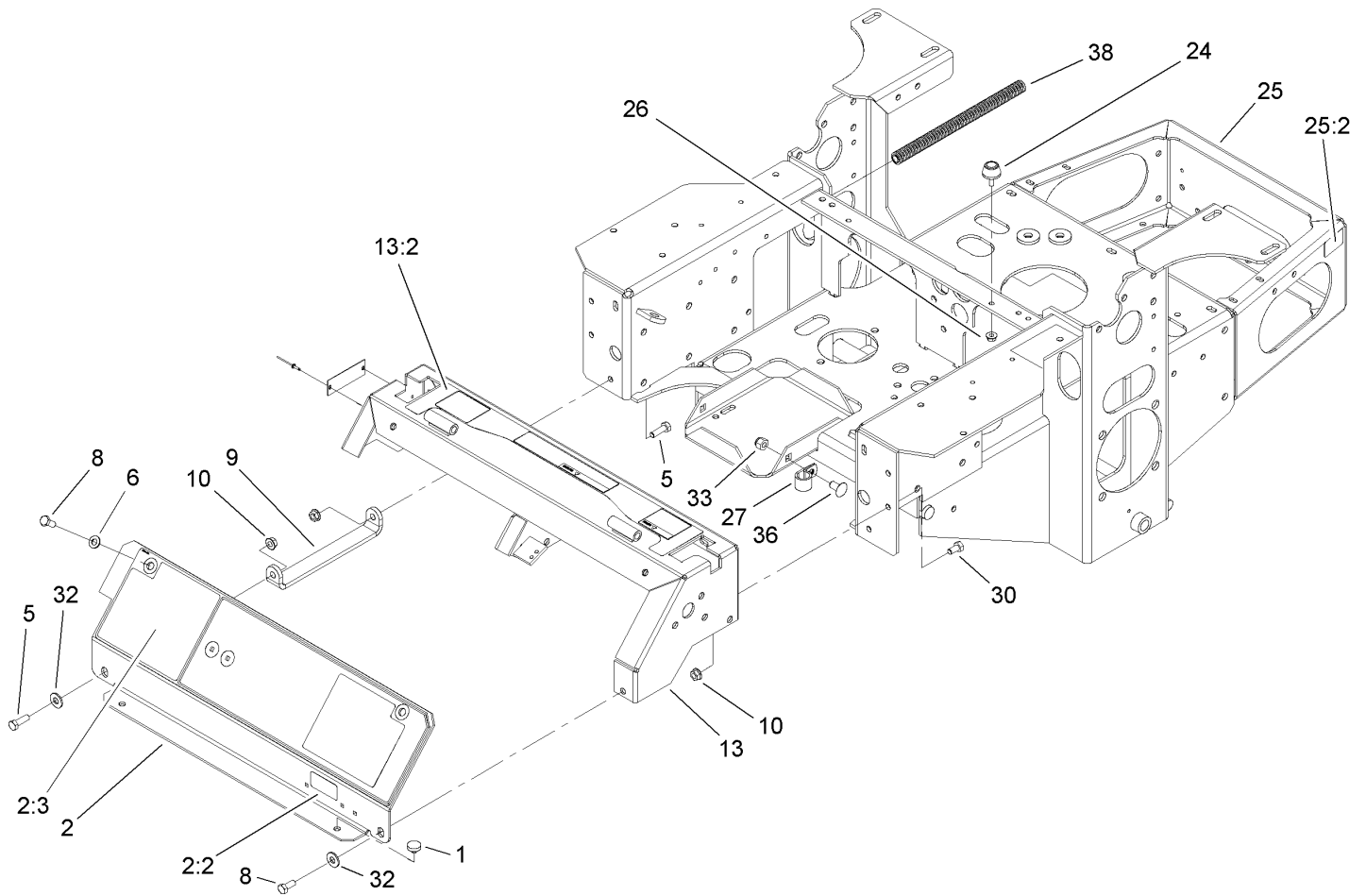
## Caster Wheel Assembly No. 1-634662

Ref	Part No.	Qty.	Description	
1	1-633582	1	Wheel And Tire ASM	
1:1	1-633002	1	Tire	
1:2	1-633583	1	Wheel	
1:3	1-633584	2	Bearing-Cup	
2	1-633581	2	Spacer-Bearing	
3	1-633580	2	Seal-Bearing	
4	1-633585	2	Bearing-Cone, Taper	
5	1-633579	1	Spacer-Caster, Front	
6	325-36	1	Screw-HH	
7	3296-45	1	Nut-Lock, NI	



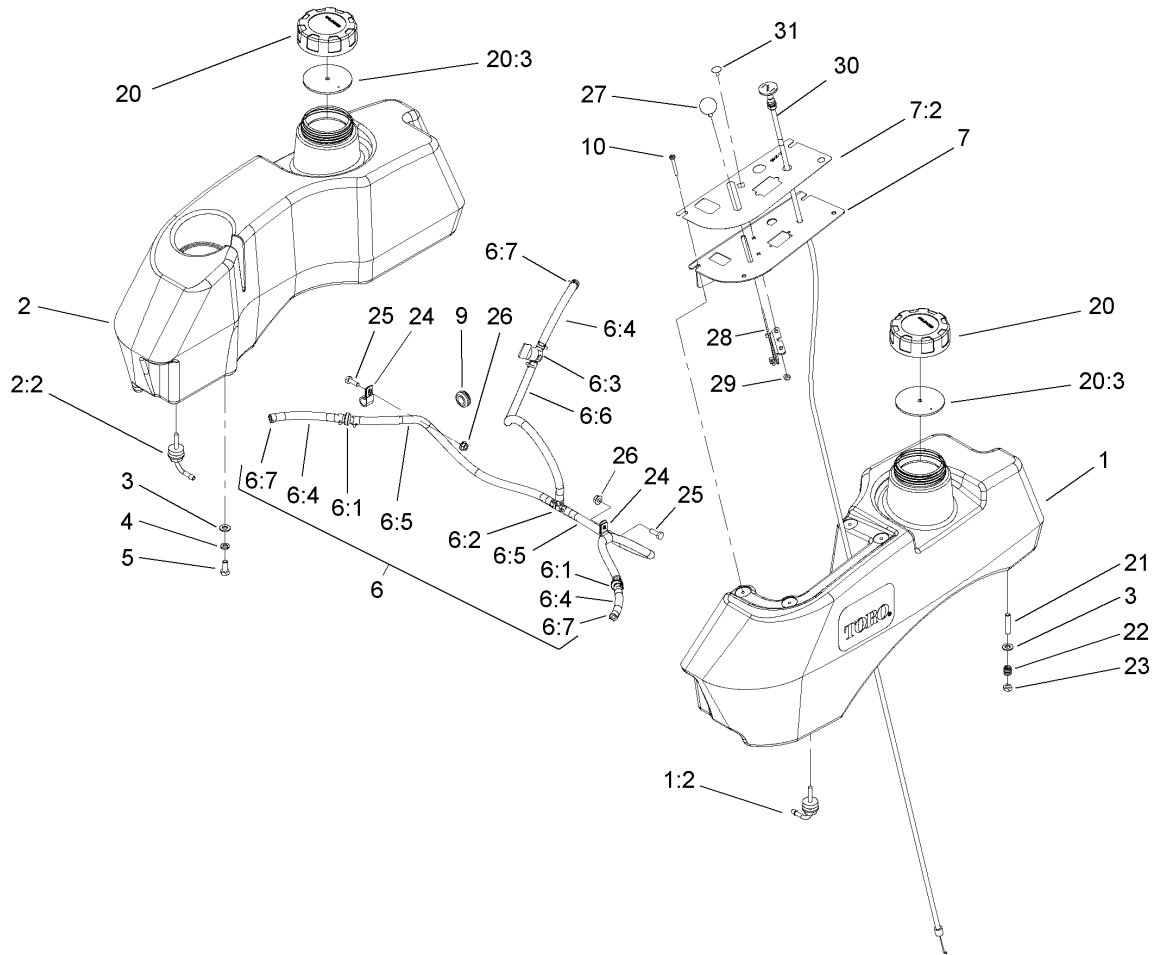
### Height of Cut Assembly

Ref	Part No.	Qty.	Description
1	323-9	1	Screw-HH
2	32151-103	1	Ring-Snap
3	3290-357	5	Nut-HHF
4	3296-39	3	Nut-Lock, NI
5	1-652235-01	1	Plate-Lift, Deck
6	1-633080	1	Bushing-Lever, Lift
7	1-653230-01	1	Plate-Lift, Deck
9	323-6	1	Screw-HH
10	323-13	1	Screw-HH
11	1-633082	1	Bushing-Lever, Lift
12	103-2078-03	1	Handle-Lift
13	1-633295	1	Grip-Lever, Lift
14	106-9951	1	Hitch Pin ASM
15	302-19	1	Fitting-Grease
16	103-1918	2	Bushing
17	106-6598-03	1	Lift Arm ASM
18	1-633325	1	Spring-Compression
19	3256-24	1	Washer-Flat
20	1-633068	2	Arm-Lift, Deck
21	323-29	2	Screw-HH
22	108-1051	1	Decal-Deck Height, Outer
23	108-1050	1	Decal-Deck Height, Inner
26	323-8	1	Screw-HH

## Main Frame Assembly

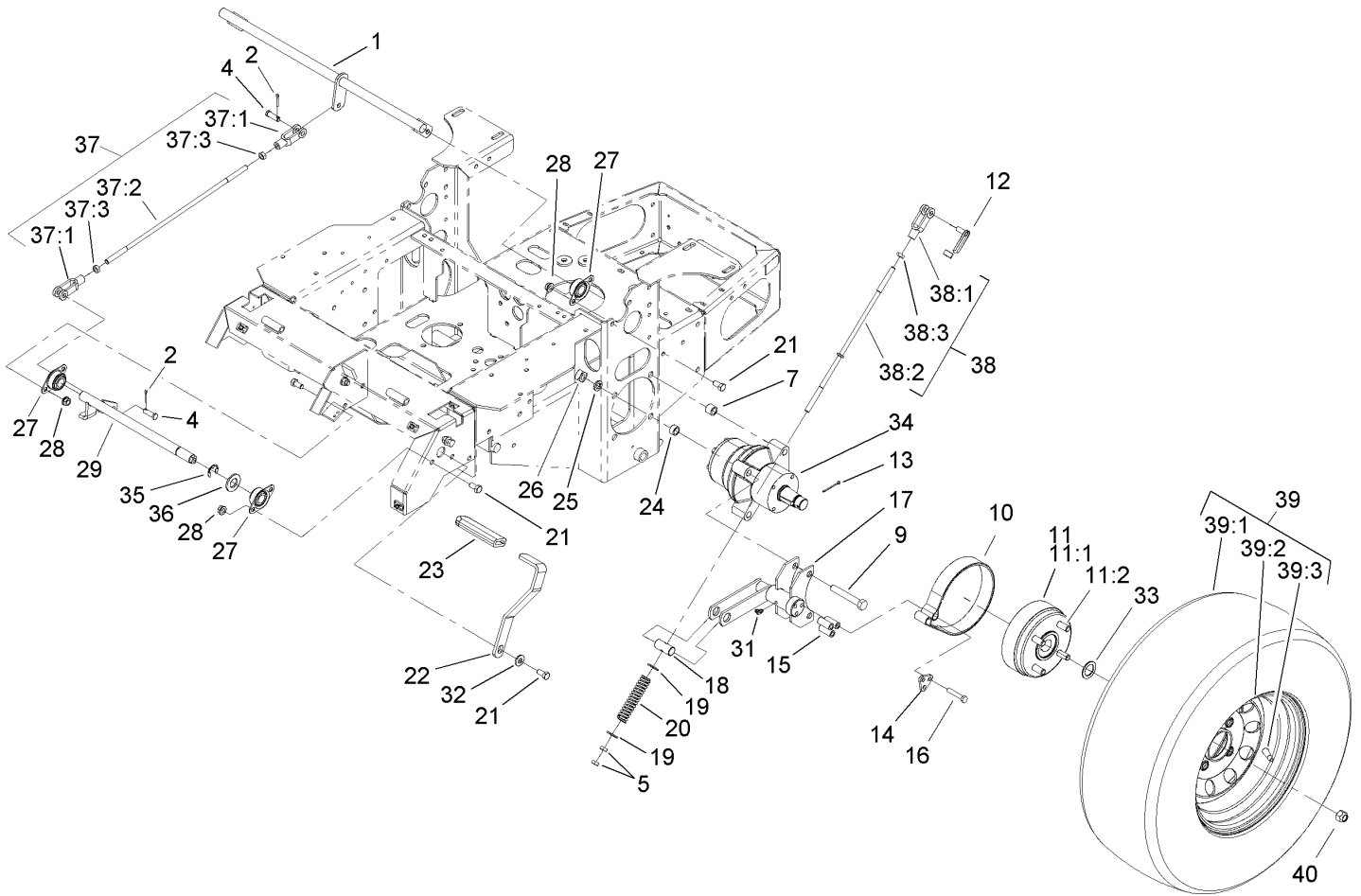
Ref	Part No.	Qty.	Description
1	1-513658	2	Bumper
2	108-1864	1	Panel ASM
2:2	98-4387	1	Decal-Protection, Ear
2:3	107-8445	1	Decal-Cover, Panel
5	322-5	2	Screw-HH
6	3256-23	2	Washer-Flat
8	322-3	3	Screw-HH
9	1-653089-03	1	Bracket
10	32128-20	6	Nut-HF
13	108-5997	1	Console Asm, Z400 (W/ Decals)
13:2	108-5995	1	Decal, Top Console Z400
24	1-523420	2	Bumper
25	108-2783	1	Main Frame ASM
25:2	65-2690	2	Decal-Surface, Hot
26	32128-33	2	Nut-HF
27	1-633396	1	Clip-Loom
30	322-2	4	Screw-HH
32	3256-3	2	Washer-Flat
33	3296-39	1	Nut-Lock, NI
36	3231-21	1	Screw-CARR
38	24-7922	2	Cover-Shaft, Drive

## Fuel System Assembly

Ref	Part No.	Qty.	Description
1	107-2146	1	LH Fuel Tank ASM
1:2	103-2605	1	Fitting-Fuel, Bulkhead
2	106-9975	1	RH Fuel Tank ASM
2:2	103-2605	1	Fitting-Fuel, Bulkhead
3	3256-23	8	Washer-Flat
4	1-805005	4	Washer-Lock
5	322-3	4	Screw-HH
6		1	Fuel Line ASM
6:1	99-5000	2	Valve-Check, Fuel
6:2	99-5005	1	Fitting-Tee, Barbed
6:3	1-603770	1	Valve-Fuel
6:4	99-7190	3	Hose-Fuel
6:5	99-3185	2	Hose-Fuel
6:6	106-8720	1	Hose-Fuel
6:7	1-303077	12	Clamp
7	107-2149	1	Control Panel ASM
7:2	107-2148	1	Decal-Panel, Control
9	1-543296	2	Grommet
10	32122-30	4	Screw-Pth
20	88-3980	2	Gas Cap ASM
20:3	88-4010	1	Gasket-Cap, Gas
21	1-633023	4	Stud
22	1-633349	4	Spring-Tank, Fuel
23	3296-47	4	Nut-Lock, NI

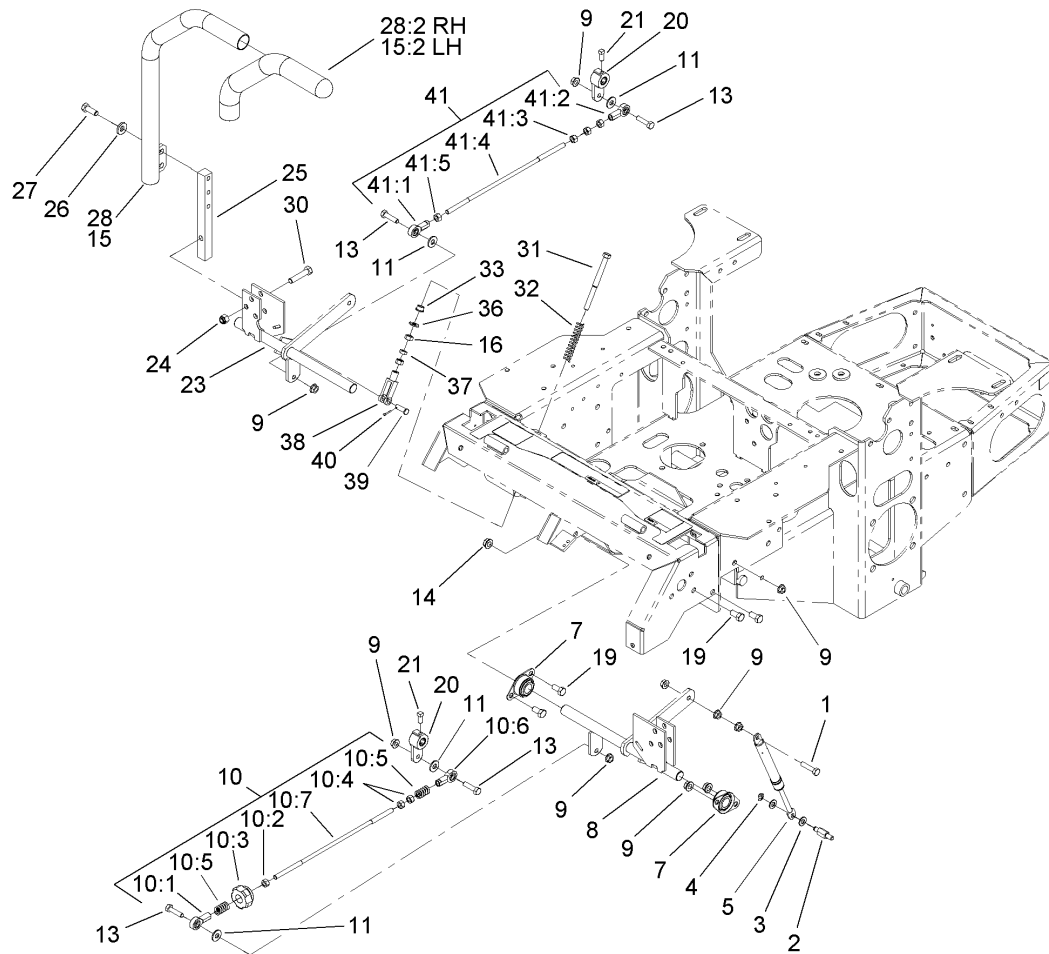
Ref	Part No.	Qty.	Description
24	1-513762	2	Clip-Loom
25	321-4	2	Screw-HH
26	32128-33	2	Nut-HF
27	1-513592	1	Knob-Ball
28	1-633696	1	Throttle Cable ASM
29	3296-2	2	Nut-Lock
30	1-603336	1	Control-Choke
31	1-807513	2	Bolt-CARR



## Parking Brake Assembly

Ref	Part No.	Qty.	Description
1	1-652073-03	1	Crank-Brake, Park
2	3272-10	2	Pin-Cotter
4	1-808285	2	Pin-Clevis
5	3219-3	4	Nut-Hex
7	1-653068	4	Spacer-Wheel
9	325-13	8	Screw-HH
10	103-0355	2	Band-Brake
11		2	Hub And Wheel ASM
11:1	103-0589	1	Wheel Hub ASM
11:2	1-633926	4	Stud-Wheel
12	103-2399	2	Pin-Spring, Clevis
13	1-806800	2	Pin-Cotter
14	103-0374	2	Retainer-Band, Brake
15	103-0384	6	Spacer
16	322-9	6	Screw-HH
17	103-0352-03	2	Bracket-Brake
18	1-633144	2	Pin-Trunion
19	3256-4	4	Washer-Flat
20	1-633454	2	Spring-Brake
21	323-4	9	Screw-HH
22	1-653074-03	1	Handle-Brake, Park
23	1-633268	1	Grip-Lever, Brake
24	1-653069	4	Spacer-Wheel
25	3253-7	8	Washer-Lock

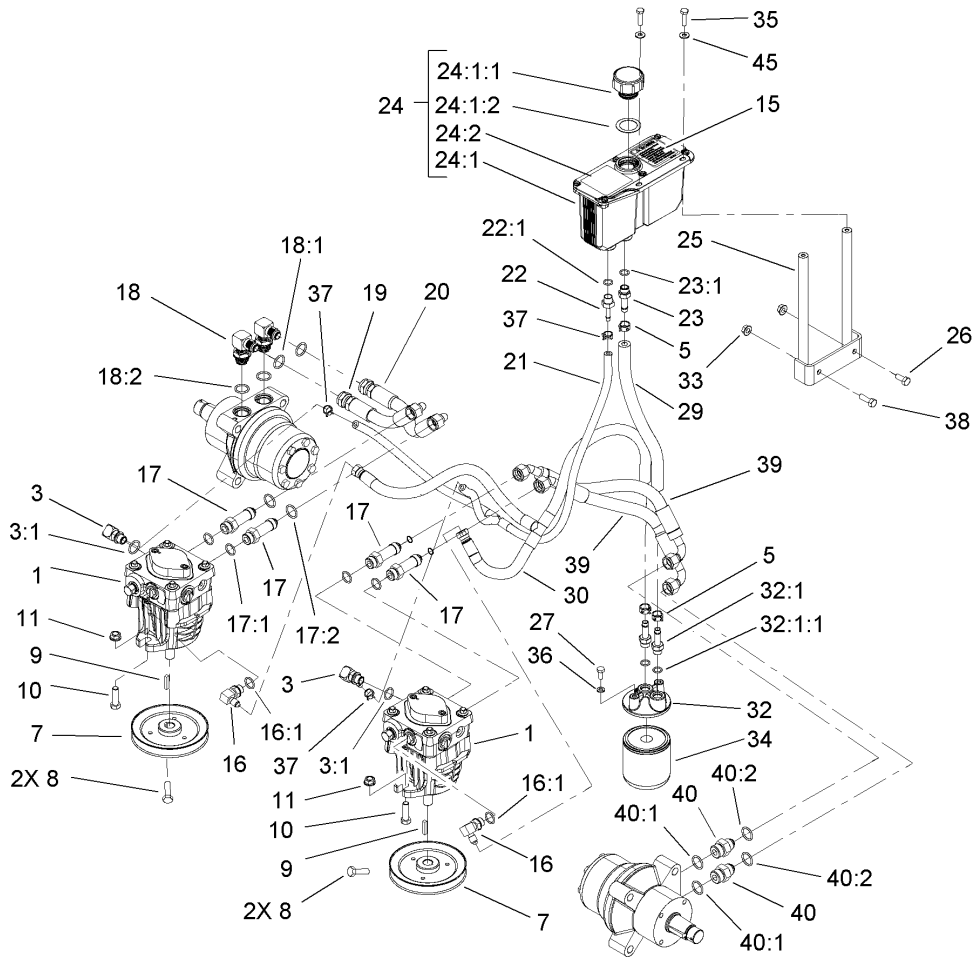
Ref	Part No.	Qty.	Description
26	103-0131	8	Nut-Square
27	1-633102	4	Bearing-Flange, Side
28	3290-357	8	Nut-HHF
29	103-3116	1	Shaft-Brake, Parking
31	1481	2	Fitting-Grease
32	98-5975	1	Washer-Belleville
33	1-523157	2	Washer-Spacer
34	103-5333	2	Motor-Wheel
35	32151-48	1	E-Ring
36	3256-28	1	Washer-Flat
37	103-4328	1	Brake Rod ASM
37:1	1-633131	2	Yoke-Linkage, Brake
37:2	1-653061	1	Linkage-Handle, Brake
37:3	3219-3	2	Nut-Hex
38	103-4329	2	Brake Rod ASM
38:1	1-633131	1	Yoke-Linkage, Brake
38:2	103-0356	1	Rod-Brake
38:3	3219-3	1	Nut-Hex
39	1-653159	2	Wheel And Tire ASM
39:1	1-653160	1	Tire
39:2	1-653161	1	Wheel
39:3	232-27	1	Stem-Valve
40	242-50	8	Nut-Lug



## Motion Control Assembly

Ref	Part No.	Qty.	Description
1	1-403180	2	Screw-HH
2	103-4101	2	Pin-Damper
3	3256-23	4	Washer-Flat
4	32120-35	2	E-Ring
5	103-4079	2	Damper-Control, Motion
7	1-633102	4	Bearing-Flange, Side
8	103-4774	1	Control-Motion, LH
9	32128-20	12	Nut-HF
10	103-4326	1	Tracking Rod ASM
10:1	1-543017	1	Balljoint-RH
10:2	3219-2	1	Nut-Hex
10:3	103-3060	1	Knob-Tracking
10:4	1-804524	2	Nut
10:5	1-323245	2	Spring-Compression
10:6	1-633152	1	Balljoint-Thread, LH
10:7	103-3066	1	Link-Rod, Tracking
11	3256-3	4	Washer-Flat
13	322-6	4	Screw-HH
14	3290-357	6	Nut-HHF
15	106-9982	1	LH Lever ASM
15:2	106-9987	1	Grip-Control, Motion
16	3219-2	4	Nut-Hex
19	323-4	6	Screw-HH
20	103-3717	2	Arm-Control

Ref	Part No.	Qty.	Description
21	1-803022	2	Screw-Set
23	103-4773	1	Control-Motion, RH
24	3296-39	6	Nut-Lock, NI
25	103-0407	2	Arm-Shaft, Control
26	98-5975	4	Washer-Belleville
27	323-6	4	Screw-HH
28	106-9983	1	RH Lever ASM
28:2	106-9987	1	Grip-Control, Motion
30	323-9	6	Screw-HH
31	1-603737	2	Bolt-Return, Neutral
32	1-603807	2	Spring-Return, Neutral
33	1-603735	2	Bushing-Flanged
36	3256-2	2	Washer-Flat
37	3220-2	2	Nut-Jam
38	1-303105	2	Yoke-Adjustable
39	1-808280	2	Pin-Clevis
40	3272-5	2	Pin-Cotter
41	103-4327	1	Tracking ASM
41:1	1-543017	1	Balljoint-RH
41:2	1-633152	1	Balljoint-Thread, LH
41:3	1-804524	1	Nut
41:4	103-3066	1	Link-Rod, Tracking
41:5	3219-2	3	Nut-Hex



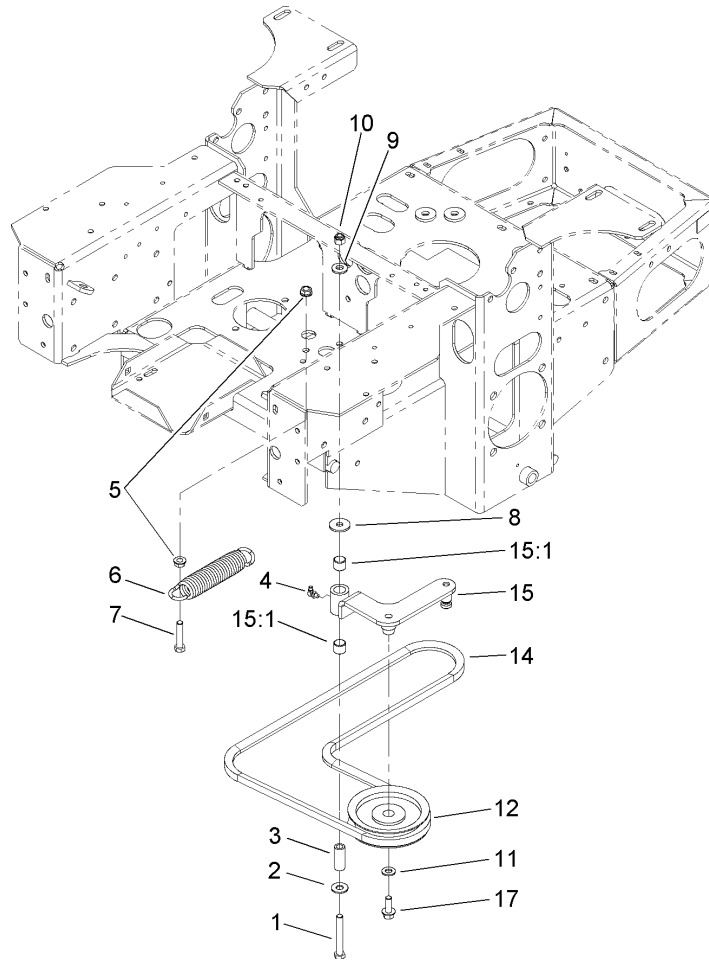
## Hydraulic System Assembly

Ref	Part No.	Qty.	Description
1	103-1942	2	Pump-HYD
3	103-1799	2	Elbow-90 DEG
3:1	237-42	1	O-Ring
5	103-1988	3	Clamp-Hose
7	1-653156	2	Pulley
8	1-803050	4	Screw-Set
9	1-807272	2	Key
10	323-7	4	Screw-HH
11	3290-357	4	Nut-HHF
15	103-2644	1	Decal-Exhaust
16	103-1802	2	Fitting-Hyd, 90 DEG
16:1	1-603921	1	O-Ring
17	103-1940	4	Adapter-Hyd, Straight
17:1	237-79	1	O-Ring
17:2	1-603992	1	O-Ring
18	1-633605	2	Fitting-Hyd, 90 DEG
18:1	1-603992	1	O-Ring
18:2	237-80	1	O-Ring
19	1-653186	1	Hose-Front
20	1-653187	1	Hose-Rear, RH
21	103-2357	1	HYD Hose ASM
22	103-1801	1	Adapter-Straight
22:1	237-42	1	O-Ring
23	103-1912	1	Adapter-Straight

Ref	Part No.	Qty.	Description
23:1	237-42	1	O-Ring
24	103-1947	1	HYD Reservoir ASM
24:1		1	Reservoir-HYD
24:1:1	103-1948	1	Cap-Reservoir, HYD
24:1:2	103-1949	1	Gasket-Cap
24:2	1-523552	1	Decal-Tank, HYD
25	103-3071-03	1	Stand-Reservoir
26	322-3	1	Screw-HH
27	321-3	2	Screw-HH
29	103-3077	1	HYD Hose ASM
30	103-2930	1	HYD Hose ASM
32	103-2889	1	Filter Head ASM
32:1	103-1912	2	Adapter-Straight
32:1:1	237-42	1	O-Ring
33	32128-20	2	Nut-HF
34	1-633750	1	Filter-HYD
34	1-633752	1	Filter-Hyd, Winter
35	321-6	2	Screw-HH
36	1-805004	2	Washer-Lock
37	103-1716	3	Clamp-Hose
38	322-5	1	Screw-HH
39	103-3809	2	Hose-LH
40	1-603991	2	Fitting-Straight
40:1	237-80	1	O-Ring

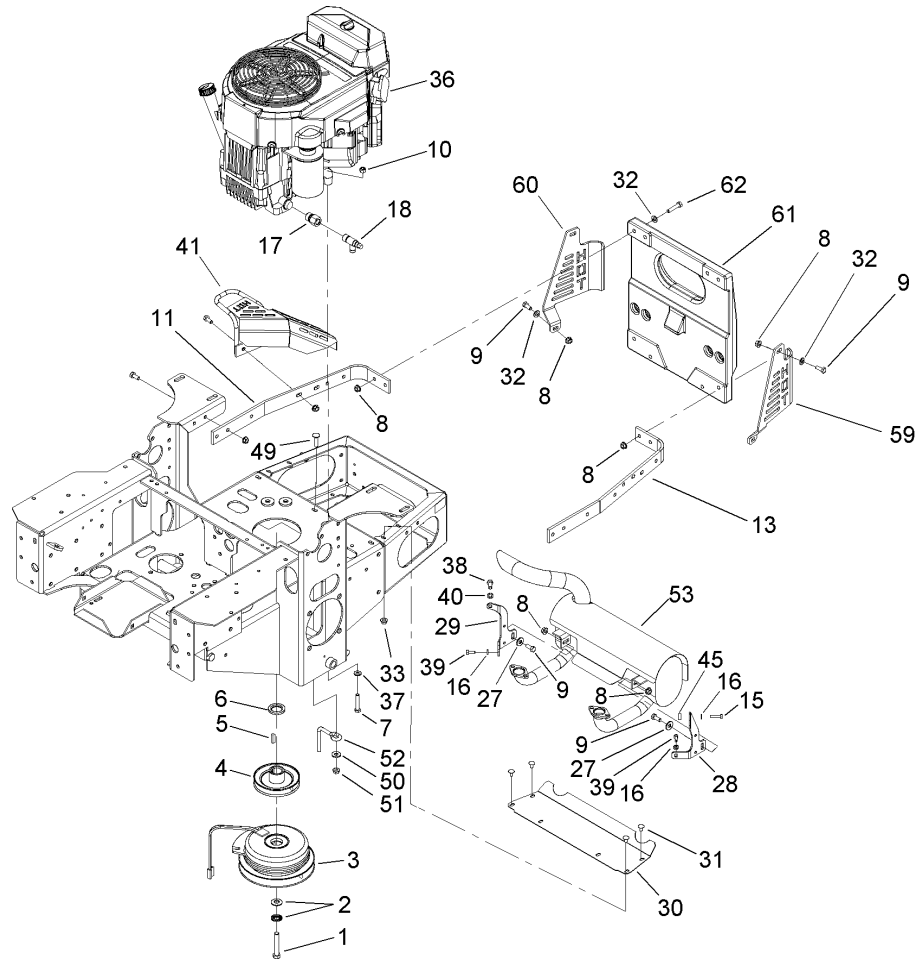






### Pump Idler and Belt Assembly

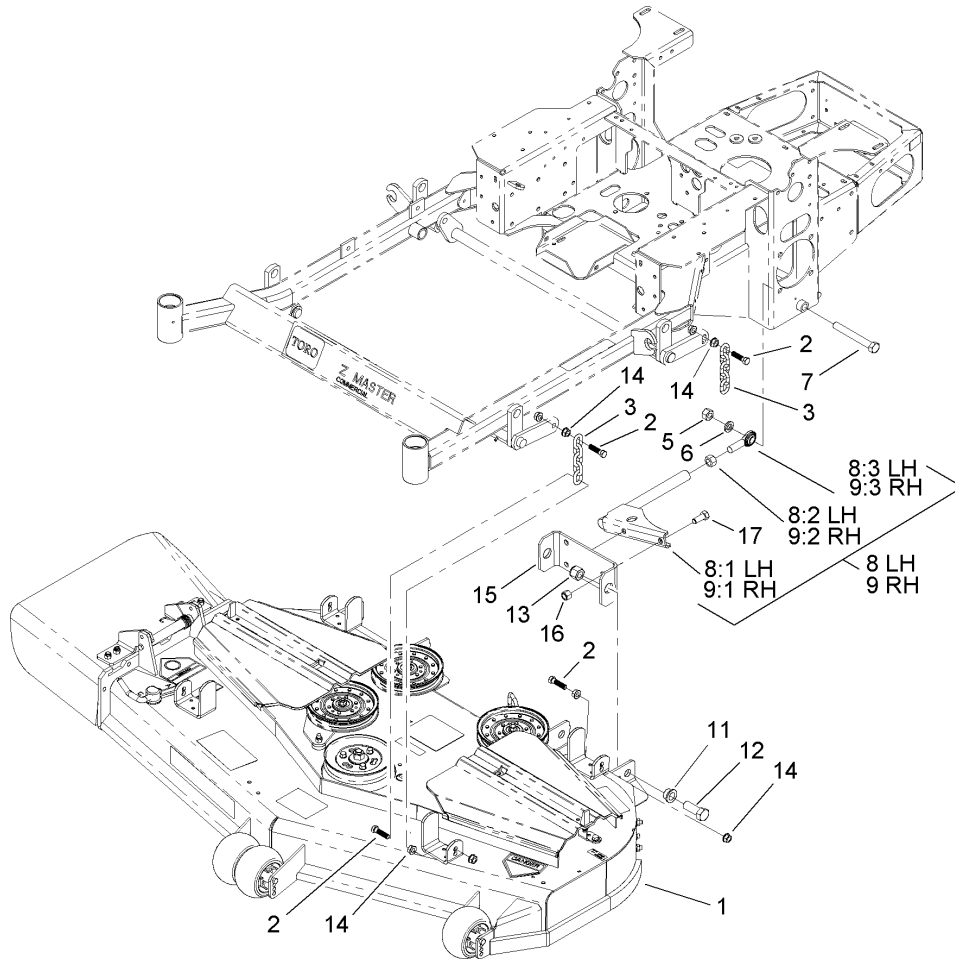
Ref	Part No.	Qty.	Description				
1	323-13	1	Screw-HH				
2	3256-4	1	Washer-Flat				
3	1-603044	1	Bushing				
4	302-40	1	Fitting-Grease				
5	3290-357	2	Nut-HHF				
6	103-4480	1	Spring-Extension				
7	323-9	1	Screw-HH				
8	63-8410	1	Washer				
9	98-5975	1	Washer-Belleville				
10	3296-39	1	Nut-Lock, NI				
11	3256-24	1	Washer-Flat				
12	1-603843	1	Pulley-Idler				
14	107-3960	1	Belt				
15	103-4482	1	Idler Arm ASM				
15:1	103-4681	2	Sleeve-Bearing				
17	3234-11	1	Screw-HHF				



## Engine, Clutch and Muffler Assembly

Ref	Part No.	Qty.	Description
1	3212-12	1	Screw-HH
2	1-603610	2	Washer-Spring
3	103-0690	1	Clutch
4	103-3913	1	Pulley
5	1-807259	1	Key
6	103-2308	1	Spacer-Crankshaft
7	322-9	4	Screw-HH
8	32128-20	29	Nut-HF
9	322-3	15	Screw-HH
10	3296-29	4	Nut-Lock, NI
11	103-3078-03	1	Strap-Guard, RH
13	103-3164-03	1	Strap-Guard, LH
15	33113-025	1	Screw-HH
16	1-805004	3	Washer-Lock
17	103-1966	1	Adapter
18	103-1965	1	Valve-Drain, Oil
27	3256-3	3	Washer-Flat
28	103-2993-03	1	Bracket-Muffler, LH
29	103-2994-03	1	Bracket-Muffler, RH
30	103-2740-03	1	Deflector-Short
31	3229-10	4	Screw-CARR
32	3256-23	12	Washer-Flat
33	32128-33	4	Nut-HF
36		1	Engine-Kawasaki, Fh680v-As21

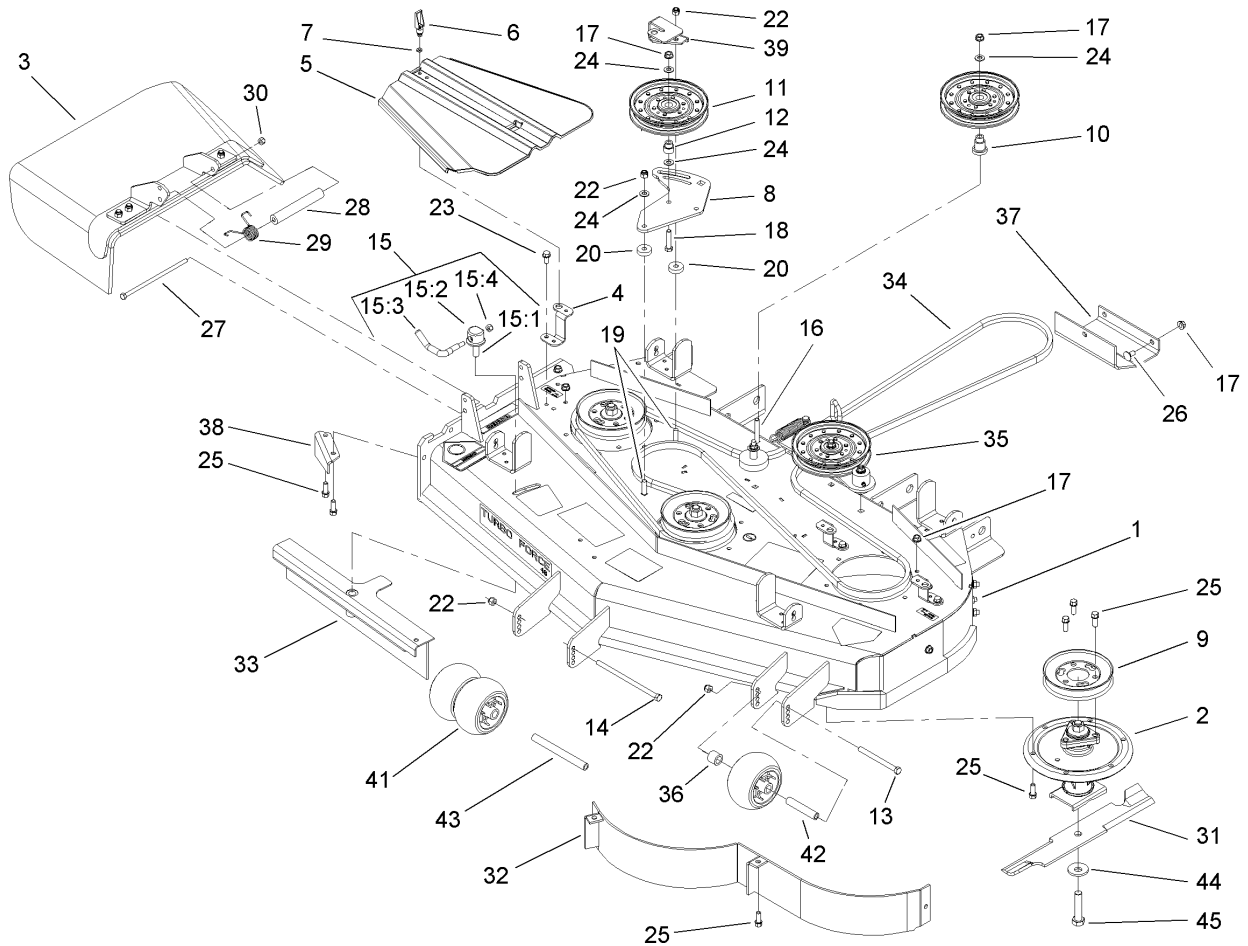
Ref	Part No.	Qty.	Description
37	1-303334	4	Washer-Spring
38	33114-020	1	Screw-HH
39	33113-016	2	Screw-HH
40	1-805005	1	Washer-Lock
41	103-3218-03	1	Guard-Tailpipe
45	103-3096	1	Spacer
49	3230-3	1	Screw-CARR
50	3256-3	1	Washer-Flat
51	32128-20	1	Nut-HF
52	108-1058	1	Rod-Belt
53	103-3427	1	Muffler Kit
59	103-3287-03	1	Guard-Muffler, LH
60	103-3288-03	1	Guard-Muffler, RH
61	107-8421-03	1	Weight-Notched, 60 Lb
62	322-7	8	Screw-HH



## Deck Connection Assembly

Ref	Part No.	Qty.	Description
1	107-3190	1	Deck ASM
2	103-1898	8	Screw-HH
3	1-633447	4	Chain-Lift, Deck
5	3217-11	2	Nut-Hex
6	3253-8	2	Washer-Lock
7	1-800344	2	Screw-HH
8	107-3150	1	LH Strut ASM
8:1	107-3103-01	1	Strut-Compact
8:2	3219-6	1	Nut-Hex
8:3	1-633029	1	Balljoint-Spherical
9	107-1659	1	RH Strut ASM
9:1	107-3103-01	1	Strut-Compact
9:2	1-633029	1	Balljoint-Spherical
9:3	3219-6	1	Nut-Hex
11	93-2877	4	Bushing
12	328-24	4	Screw-HH
13	3296-51	4	Nut-Lock, NI
14	32128-37	16	Nut-HF
15	107-3100-01	2	Base-Strut
16	3296-23	4	Nut-Lock, NI
17	325-5	4	Screw-HH

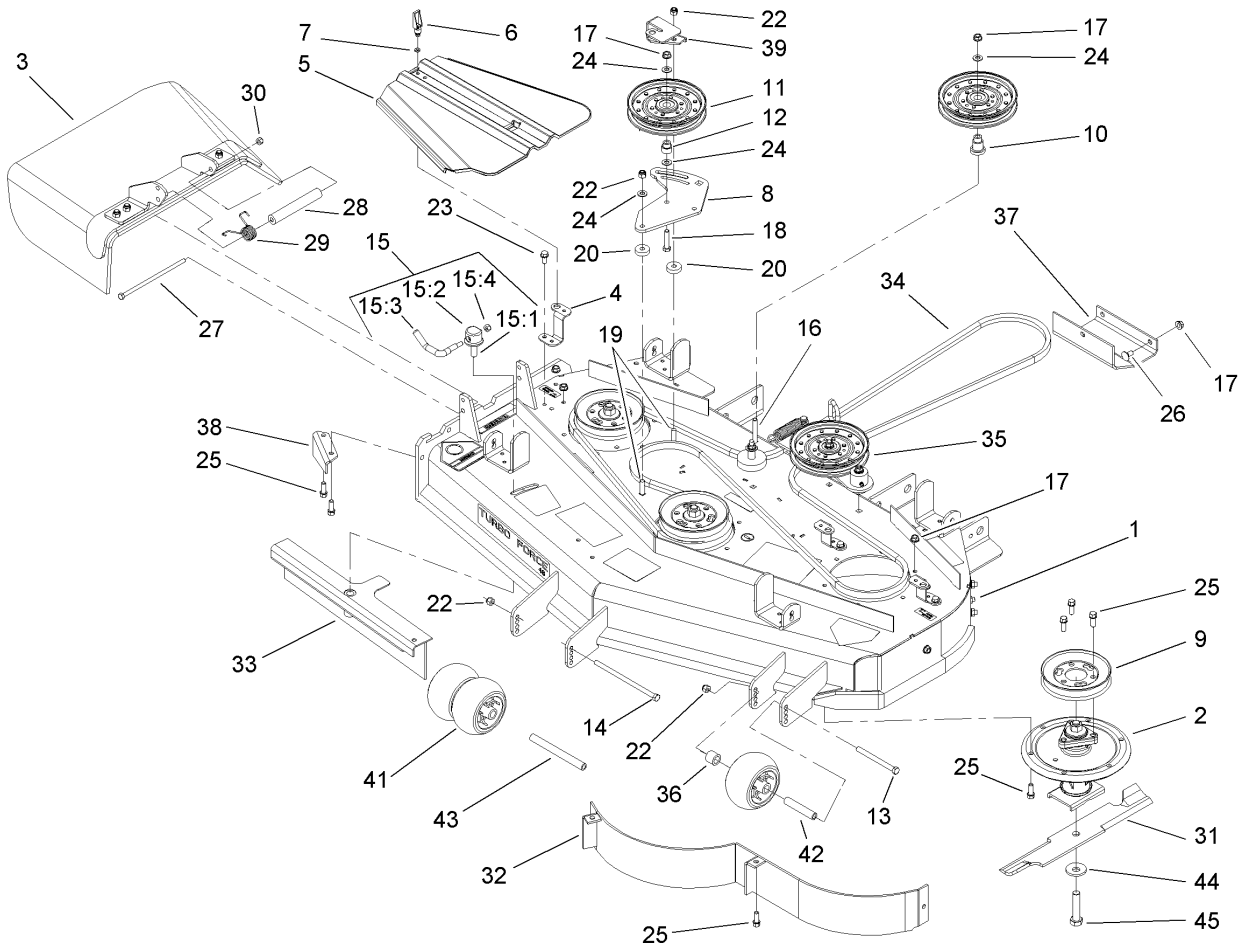
--	--	--	--



## Deck Assembly No. 107-3190

Ref	Part No.	Qty.	Description
1	107-8515	1	Deck Decal ASM
2	107-8504	3	Spindle ASM
3	108-4060	1	Rubber Deflector ASM
4	108-2177-01	3	Bracket-Cover, Tall
5	107-8536	2	Cover-Belt
6	74-5950	2	Latch-Swell
7	99-3058	2	Washer
8	107-8516-01	1	Plate-Idler
9	107-1684	3	Pulley
10	106-3214	1	Mount-Pulley
11	1-633109	2	Idler-Flat
12	1-603496	1	Bushing-Idler
13	323-23	1	Screw-HH
14	323-28	1	Screw-HH
15	107-1664	1	Lever ASM
15:1	106-3239	1	Screw-Lock
15:2	107-1644	1	Cap-Lock
15:3	106-3241	1	Lever-Lock
15:4	3296-29	1	Nut-Lock, NI
16	323-12	1	Screw-HH
17	3290-357	32	Nut-HHF
18	323-9	1	Screw-HH
19	3231-4	2	Screw-CARR
20	105-7788	2	Spacer

Ref	Part No.	Qty.	Description
22	3296-39	4	Nut-Lock, NI
23	32144-70	3	Screw-HH
24	3256-24	4	Washer-Flat
25	92-1624	32	Screw
26	3231-1	7	Screw-CARR
27	322-50	1	Screw-HH
28	105-4622	1	Spacer
29	107-1663	1	Spring-Torsion
30	3296-29	1	Nut-Lock, NI
31	107-3192-03	3	Blade-Rotary, 16.5 High Flow
32	107-8510-01	1	Baffle ASM
33	107-8506-01	1	Baffle ASM
34	106-7369	1	Belt-V
35		1	Idler ASM
36	98-7913	1	Tube-Spacer
37	107-3166-01	1	Skid
38	107-8541-01	1	Baffle-Discharge
39	108-2228-01	1	Bracket-Cover
41	1-603299	3	Roller-Anti Scalp
42	98-7912	1	Tube-Spacer
43	98-5967	1	Spacer-Wheel
44	103-0865	3	Washer-Blade Bolt, Heavy
45	103-0862	3	Screw-Cap
99	107-3196-03	3	Blade-Rotary, 16.5in Recycling

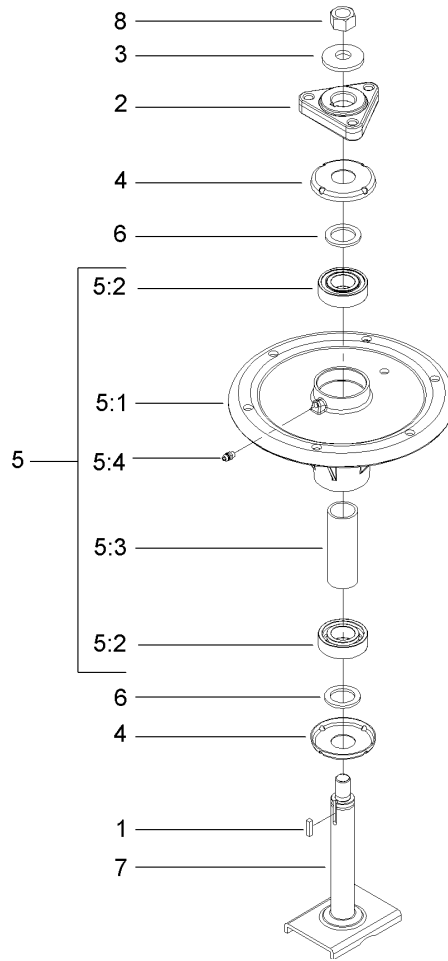


### Deck Assembly No. 107-3190 (continued)

Ref	Part No.	Qty.	Description
①99	107-3195-03	3	Blade-Rotary, 16.5 Atomic
①99	107-3194-03	3	Blade-Rotary, 16.5 Med Flow
①99	107-3193-03	3	Blade-Rotary, 16.5 Low Flow

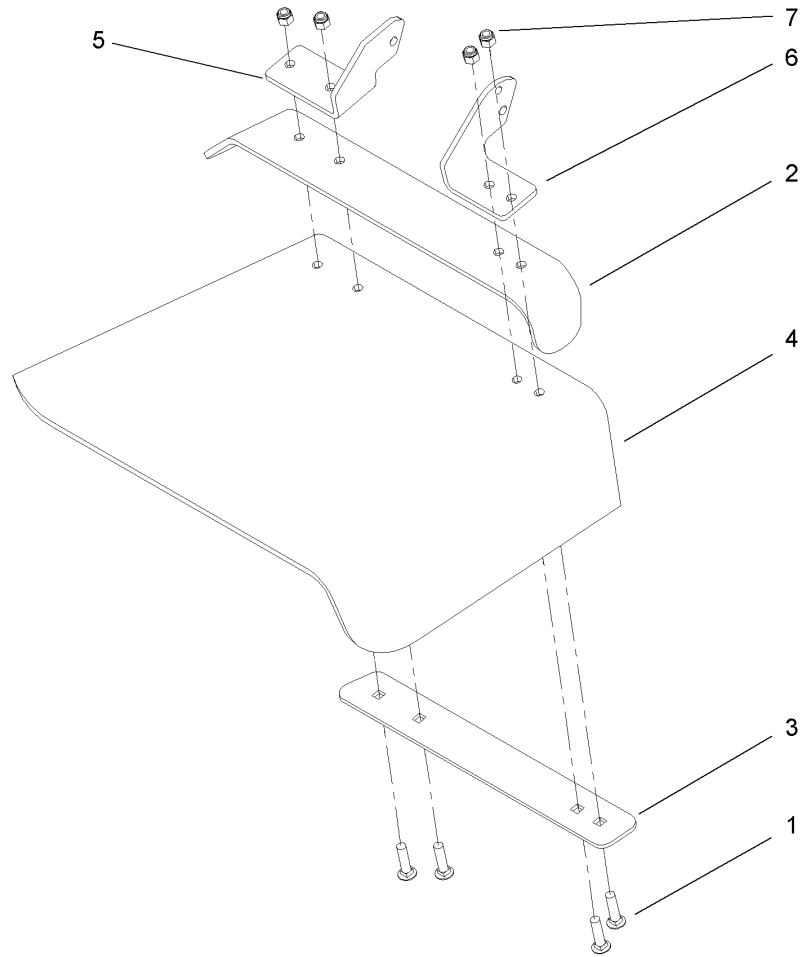
--	--	--	--





## Spindle Assembly No. 107-8504

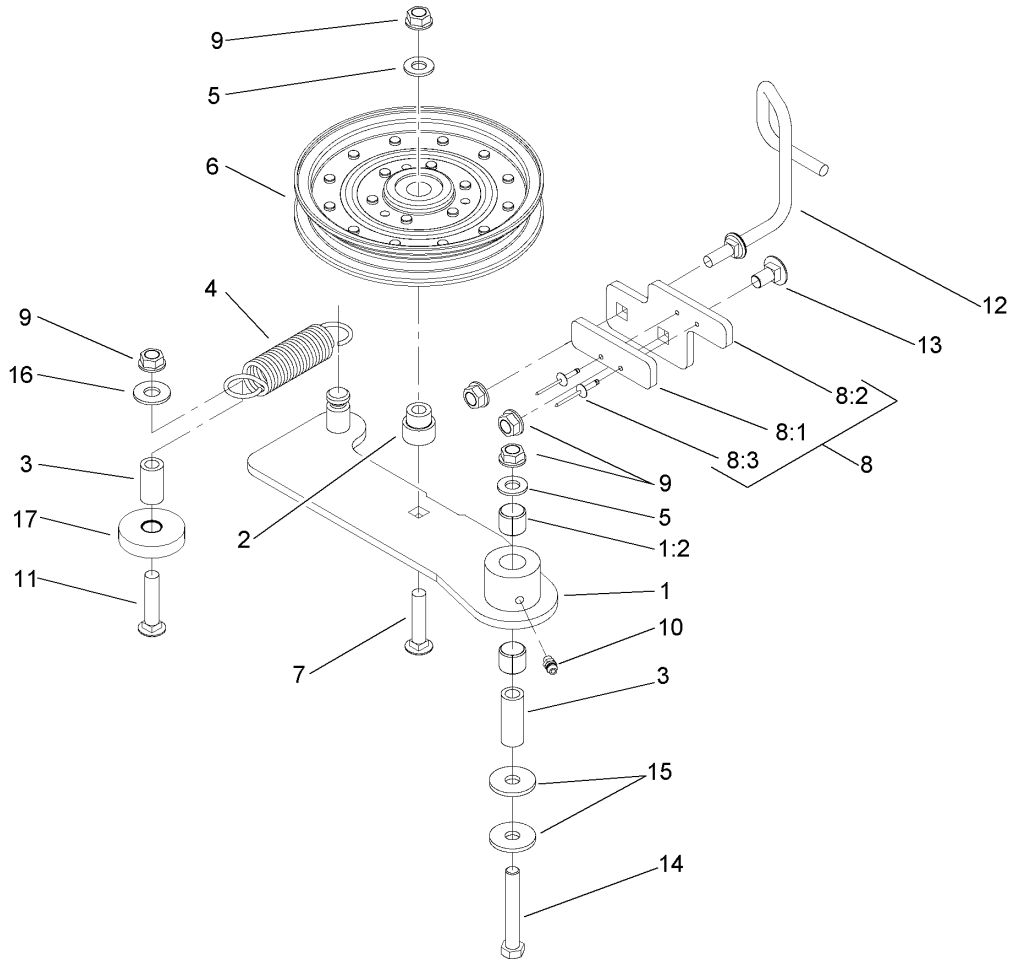
Ref	Part No.	Qty.	Description			
1	10-8040	1	Key-Square			
2	106-3277	1	Hub-Pulley			
3	103-0865	1	Washer-Blade Bolt, Heavy			
4	106-3204	2	Shield-Bearing			
5		1	Spindle Bearing ASM			
5:1	106-3211	1	Housing-Spindle			
5:2	113514	2	Bearing-Ball			
5:3	107-8502	1	Spacer-Bearing			
5:4	302-5	1	Fitting-Grease			
6	3-8514	2	Washer-Thrust			
7	107-8501	1	Spindle ASM			
8	3219-6	1	Nut-Hex			



## Rubber Deflector Assembly No. 108-4060

Ref	Part No.	Qty.	Description
1	3231-4	4	Screw-CARR
2	106-3246-01	1	Deflector
3	106-3248-03	1	Strap-Discharge
4	107-1617	1	Deflector-Rubber
5	108-4059-01	1	Plate-Hinge, Rear
6	108-4058-01	1	Plate-Hinge, Front
7	3296-39	4	Nut-Lock, NI

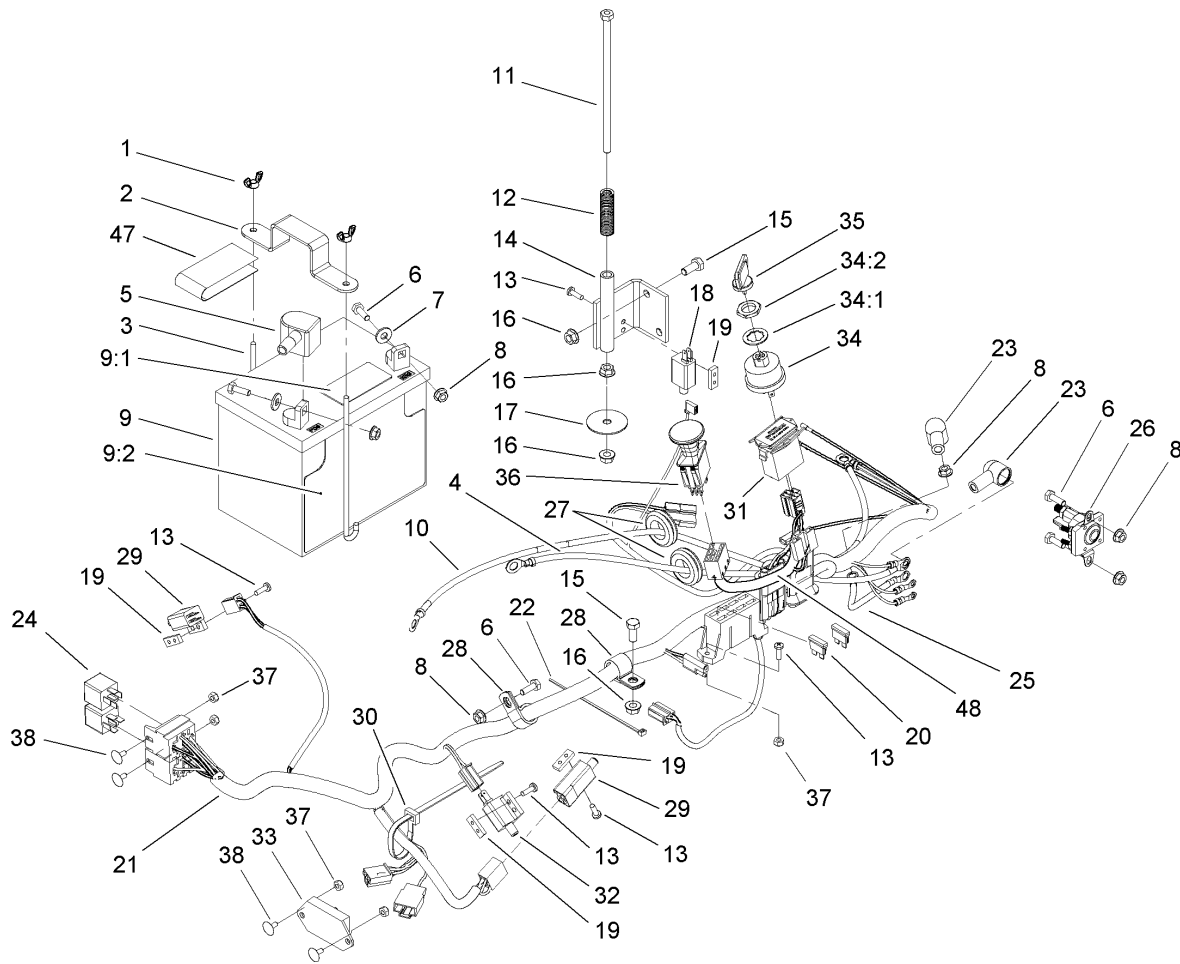
--	--	--	--



## Idler Assembly

Ref	Part No.	Qty.	Description
1	108-4062	1	Idler Arm ASM
1:2	103-4681	2	Sleeve-Bearing
2	1-603496	1	Bushing-Idler
3	1-603044	2	Bushing
4	1-603402	1	Spring-Extension
5	3256-24	2	Washer-Flat
6	1-633109	1	Idler-Flat
7	3231-6	1	Screw-CARR
8		1	Stop Pad ASM
8:1	106-3229	1	Pad-Bumber
8:2	107-1697-01	1	Plate-Stop
8:3	3269-24	2	Rivet
9	3290-357	5	Nut-HHF
10	302-5	1	Fitting-Grease
11	3231-31	1	Screw-CARR
12	108-4072	1	Guide-Belt
13	3231-1	1	Screw-CARR
14	323-12	1	Screw-HH
15	2844	2	Washer
16	3256-4	1	Washer-Flat
17	108-2239	1	Stop-Plastic

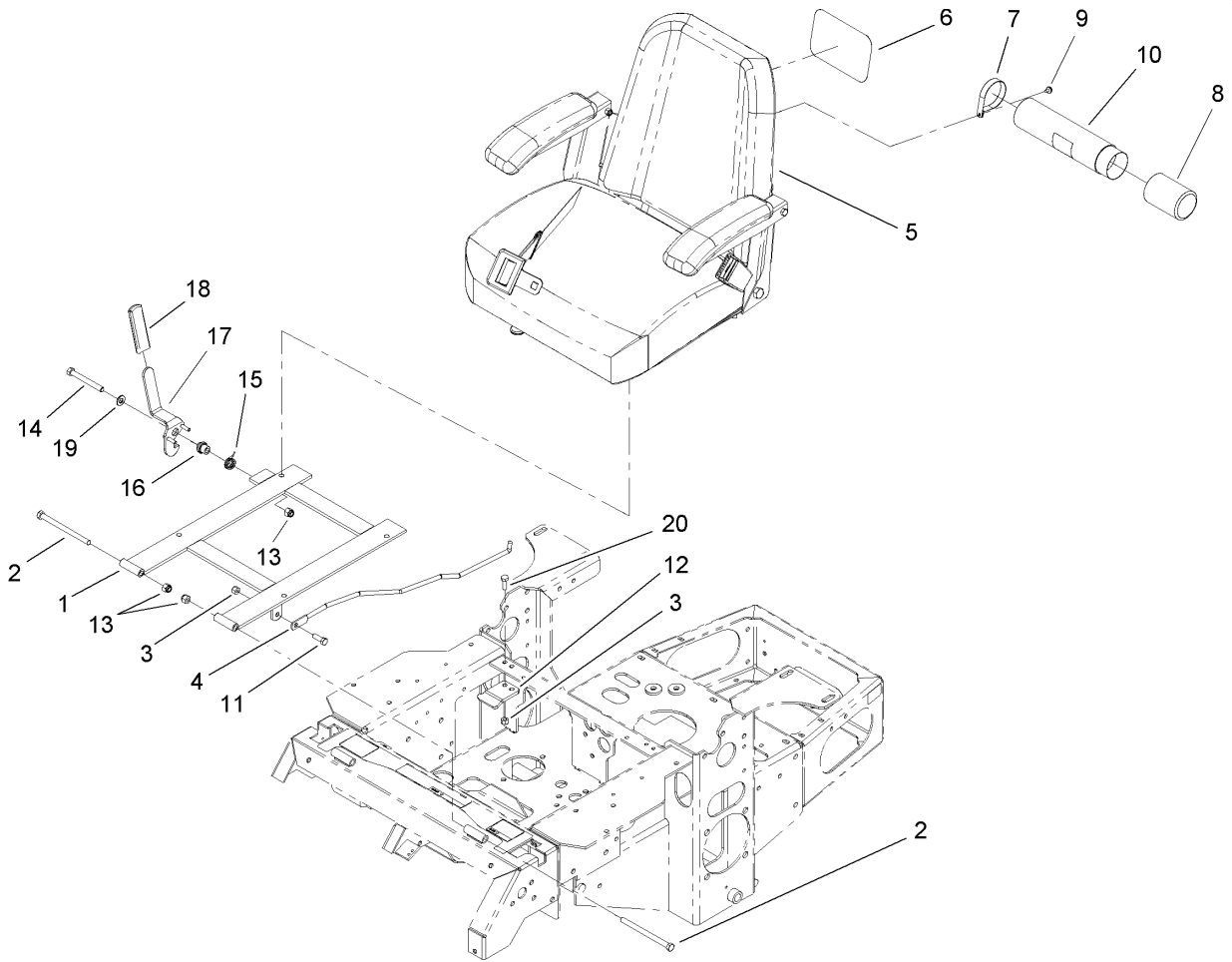
--	--	--	--



## Electrical System Assembly

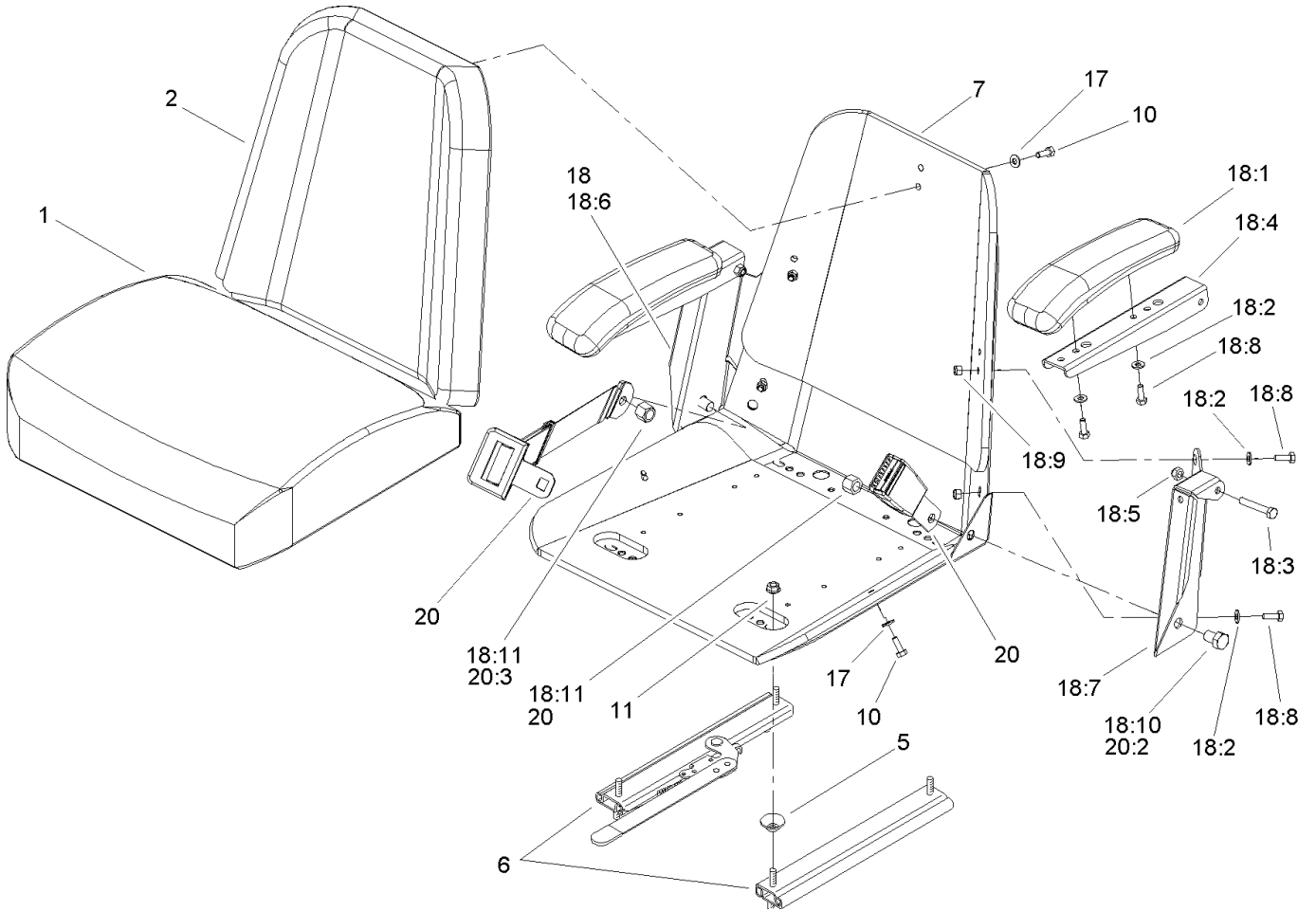
Ref	Part No.	Qty.	Description
1	1-543792	2	Wingnut
2	1-633652-03	1	Strap-Holddown
3	1-633651	2	Bolt-Holddown
4	103-0705	1	Cable-Ground, Negative
5	1-543391	1	Insulator-Battery
6	321-4	5	Screw-HH
7	3256-2	2	Washer-Flat
8	32128-33	6	Nut-HF
9	105-1692	1	Battery
9:1	104-4163	1	Decal-Battery
9:2	104-4164	1	Decal-Battery
10	103-0707	1	Cable-Battery, Positive
11	1-800282	1	Screw-HH
12	1-523415	1	Spring-Switch, Seat
13	1-803075	10	Screw-Head, Truss
14	1-652072-03	1	Bracket-Switch, Seat
15	322-3	3	Screw-HH
16	32128-20	5	Nut-HF
17	1-653036	1	Washer
18	1-513152	1	Switch-Closed, Normally
19	1-633181	4	Plate-Tapped
20	1-816001	2	Fuse-Blade Type, 20 Amp
21	107-8051	1	Harness-Electrical
22	1-303287	3	Tie-Plastic

Ref	Part No.	Qty.	Description
23	1-543393	3	Insulator-Solenoid
24	1-643275	2	Relay
25	1-633306	1	Wire-Starter
26	1-513075	1	Switch-Solenoid
27	1-543286	3	Grommet
28	1-633396	2	Clip-Loom
29	1-513051	2	Switch-Open, Normally
30	1-303335	4	Tie-Plastic
31	1-513374	1	Meter-Hour
32	1-633111	1	Switch
33	100-6186	1	Module-Delay, Seat
34	88-9830	1	Key Switch ASM
34:1	3254-5	1	Washer-Tooth
34:2	218-461	1	Nut-HH
35	63-8360	2	Key-Ignition
36	1-633673	1	Switch-Delta
37	3296-2	6	Nut-Lock
38	1-807513	4	Bolt-CARR
47	107-9309	1	Decal-Instructions, Charging
48	107-8054	1	Harness-Electrical, Control Panel



## Seat and Bracket Assembly

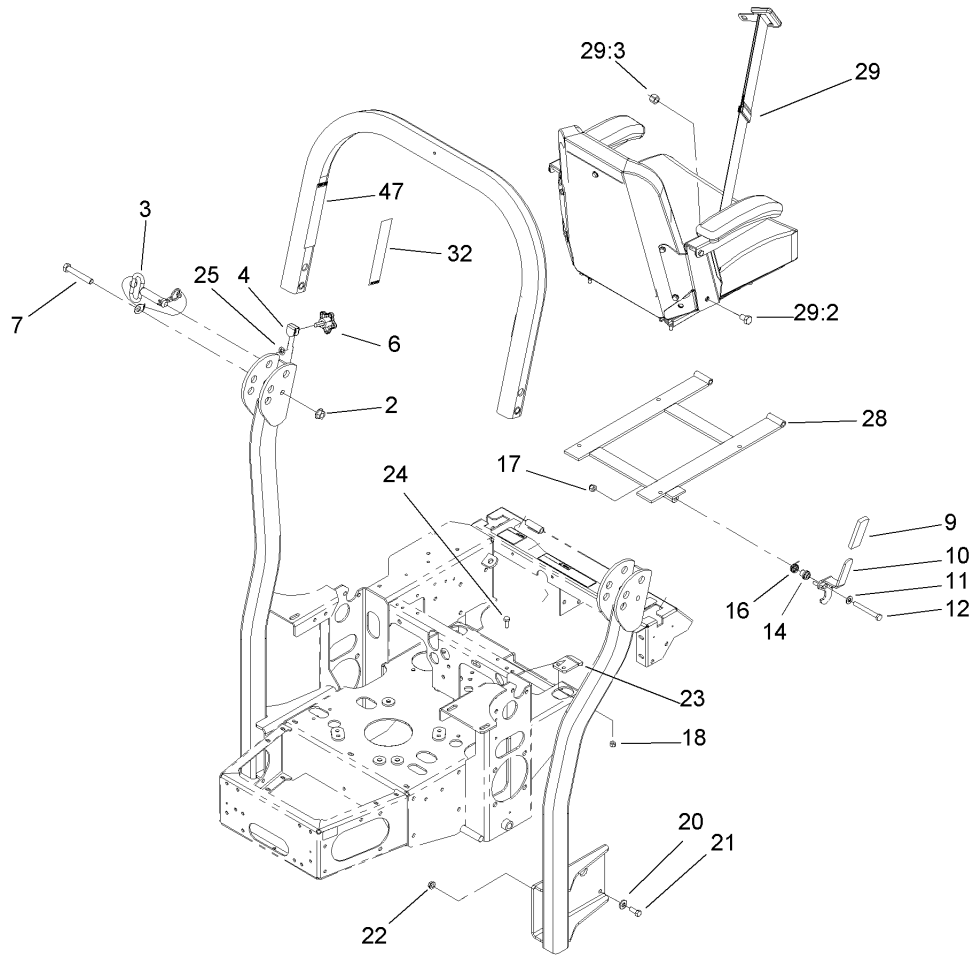
Ref	Part No.	Qty.	Description				
1	107-3052-03	1	Seat Support Frame ASM				
2	323-39	2	Screw-HH				
3	3296-29	3	Nut-Lock, NI				
4	103-1731	1	Rod-Retainer, Seat				
5	107-1867	1	Seat ASM				
6	99-4693	1	Decal				
7	2412-120	2	R-Clamp				
8	104-7048	1	Cap-Housing				
9	32104-76	2	Screw				
10	104-7050	1	Housing-Manual				
11	322-5	1	Screw-HH				
12	103-5961	1	Catch-Latch, Seat				
13	3296-39	3	Nut-Lock, NI				
14	323-20	1	Screw-HH				
15	107-0076	1	Spring-Torsion				
16	107-0075	1	Bushing-Latch, Seat				
17	107-3083	1	Latch ASM				
18	62-9130	1	Grip-Handle				
19	3256-24	1	Washer-Flat				
20	322-4	2	Screw-HH				



### Seat Assembly No. 107-1867

Ref	Part No.	Qty.	Description
1	103-0290	1	Cushion-Seat, Bottom
2	104-7754	1	Cushion-Seat, Back
5	1-543401	4	Spacer-Track
6	1-643255	1	Track-Seat
7	1-633859	1	Frame-Seat
10	321-30	11	Screw-HH
11	32128-20	4	Nut-HF
17	3256-22	11	Washer-Flat
18	105-3620	1	Armrest Kit
18:1	1-633710	2	Cushion-Armrest
18:2	3256-22	4	Washer-Flat
18:3	322-10	2	Screw-HH
18:4	105-3623	2	Channel-Armrest
18:5	32153-3	2	Nut-Lock, Side
18:6	105-3621	1	Bracket-Armrest, RH
18:7	105-3622	1	Bracket-Armrest, LH
18:8	321-30	6	Screw-HH
18:9	3296-42	4	Nut-Lock, NI
18:10	325-2	2	Screw-HH
18:11	3296-23	2	Nut-Lock, NI
20	103-4469	1	Seatbelt Kit
20:2	3212-4	2	Screw-HH
20:3	3296-38	2	Nut-Lock NI

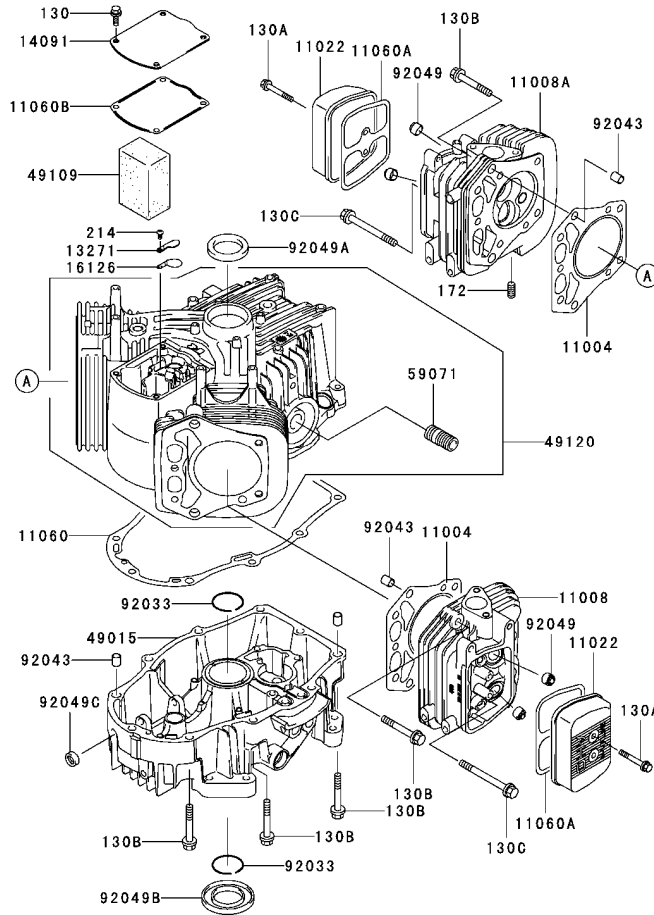


## Roll-Over-Protection-System Assembly No. 107-8093

Ref	Part No.	Qty.	Description
2	32128-23	2	Nut-HF
3	103-4553	2	Rops Fold Pin ASM
4	107-3124	2	Clip
6	106-0887	2	Knob
7	325-13	2	Screw-HH
9	62-9130	1	Grip-Handle
10	107-3083	1	Latch ASM
11	3256-24	1	Washer-Flat
12	323-20	1	Screw-HH
14	107-0075	1	Bushing-Latch, Seat
16	107-0076	1	Spring-Torsion
17	3296-39	1	Nut-Lock, NI
18	3296-29	2	Nut-Lock, NI
20	98-5975	8	Washer-Belleville
21	323-6	8	Screw-HH
22	3290-357	8	Nut-HHF
23	107-3059	1	Catch-Latch, Seat
24	322-4	2	Screw-HH
25	107-3154	2	Nut-Push
28	107-3052-03	1	Seat Support Frame ASM
29	103-4469	1	Seatbelt Kit
29:2	3212-4	2	Screw-HH
29:3	3296-38	2	Nut-Lock NI
32	107-3069	1	Decal-Warning, Folding Rops

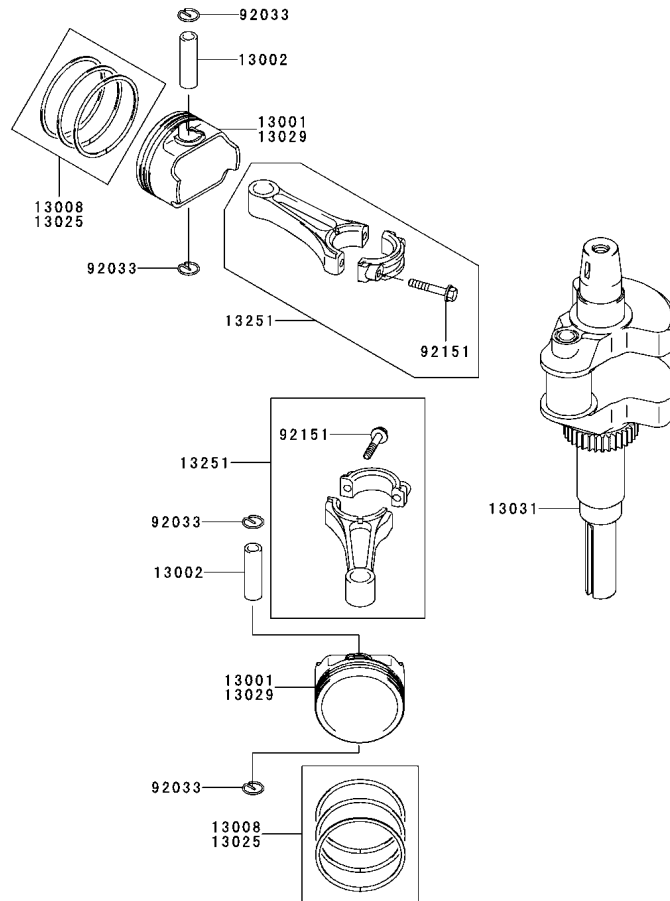
Ref	Part No.	Qty.	Description
47	107-2102	1	Decal-Warning, Folding Rops



## Cylinder/Crankcase Assembly Kawasaki FH680V-AS21

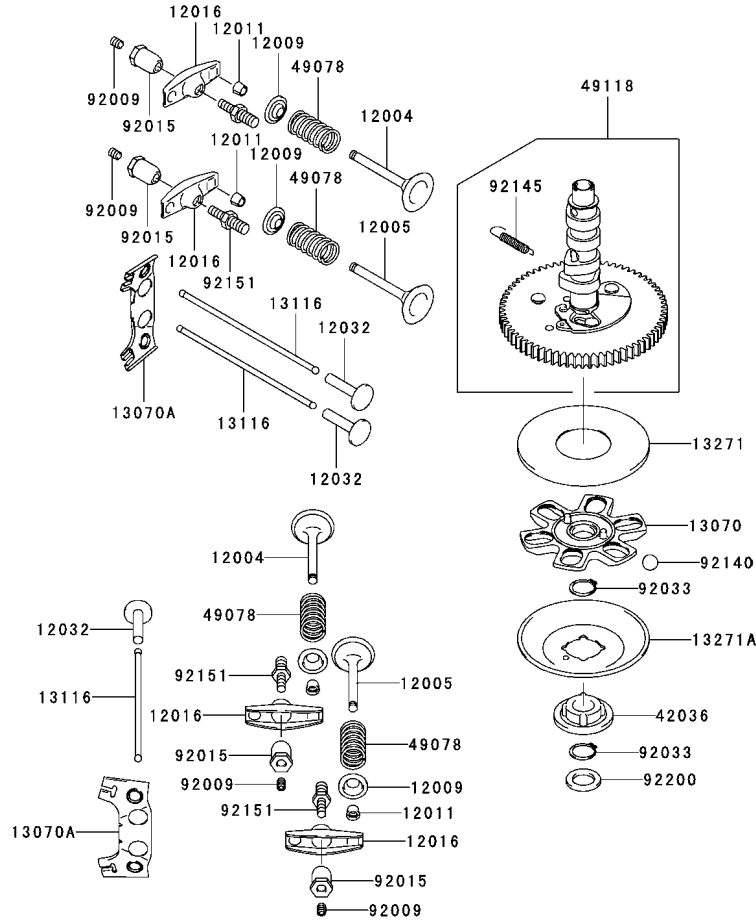
Ref	Part No.	Qty.	Description
⑤11004	11004-7006	2	Gasket-Head
⑤11008	11008-7012	1	Head-Comp-Cylinder No. 2
⑤11008A	11008-7013	1	Head-Comp-Cylinder No. 1
⑤11022	11022-7002	2	Case-Rocker
⑤11060	11060-7012	1	Gasket, Crankcase Cover
⑤11060A	11060-7013	2	Gasket, Rocker Case
⑤11060B	11060-7014	1	Gasket, Breather
⑤13271	13271-7006	1	Plate
⑤14091	14091-7004	1	Cover
⑤16126	16126-7001	1	Valve
⑤49015	49015-6225	1	Cover-Crankcase
⑤49109	49109-7003	1	Element-Breather
⑤49120	49120-7019	1	Crankcase-Comp
⑤59071	59071-2079	1	Joint
⑤92033	92033-7004	2	Ring-Snap
⑤92043	92043-7001	6	Pin
⑤92049	92049-7001	4	Seal-Oil, Rvc2 (6x11x10.2)
⑤92049A	92049-7002	1	Seal-Oil
⑤92049B	92049-7004	1	Seal-Oil
⑤92049C	92049-7005	1	Seal-Oil,so 8x14x5 HS
⑤130	130B0612	4	Bolt-Flanged
⑤130A	130B0640	4	Bolt-Flanged
⑤130B	130T0850	18	Bolt-Flanged
⑤130C	130T0875	2	Bolt-Flanged

Ref	Part No.	Qty.	Description
⑤172	172G0818	4	Bolt-Stud
⑤214	214B0408	1	Screw-Pan



## Piston/Crankshaft Assembly Kawasaki FH680V-AS21

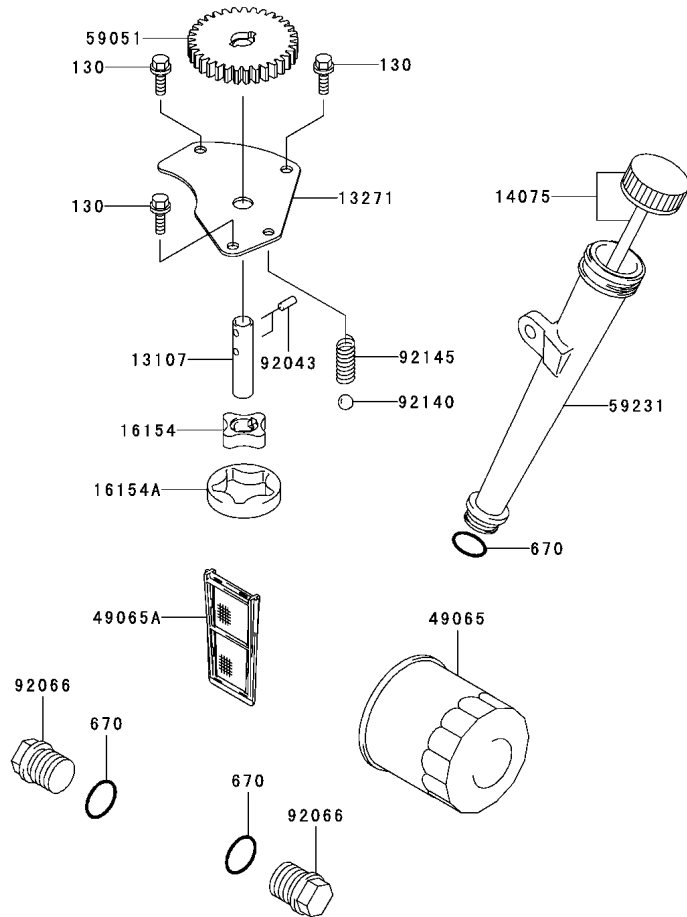
Ref	Part No.	Qty.	Description				
①13001	13001-7007	2	Piston-Engine				
①13002	13002-7001	2	Pin-Piston				
①13008	13008-6058	2	Ring-Set-Piston				
①13025	13025-7002	0	Ring-Set, Pistonl,0.50				
①13029	13029-7003	0	Piston-Engine L,0.50				
①13031	13031-7023	1	Crankshaft-Comp				
①13251	13251-7005	2	Connecting Rod ASM				
①92033	92033-7005	4	Ring-Snap				
①92151	92151-7017	4	Bolt (6x35)				



## Valve/Camshaft Assembly Kawasaki FH680V-AS21

Ref	Part No.	Qty.	Description
①12004	12004-7002	2	Valve-Intake
①12005	12005-7002	2	Valve-Exhaust
①12009	12009-7001	4	Retainer-Spring, Valve
①12011	12011-2056	8	Collet
①12016	12016-7006	4	Arm-Rocker
①12032	12032-7001	4	Tappet
①13070	13070-7004	1	Guide
①13070A	13070-7007	2	Guide
①13116	13116-7002	4	Rod-Push
①13271	13270-7007	1	Plate
①13271A	13271-7021	1	Plate-Governor
①42036	42036-7001	1	Sleeve
①49078	49078-7002	4	Spring-Engine Valve
①49118	49118-7007	1	Camshaft-Comp
①92009	92009-2341	4	Screw
①92015	92015-2253	4	Nut
①92033	92033-7001	2	Ring-Snap
①92140	92140-7002	6	Ball
①92145	92145-7001	1	Spring
①92151	92151-7019	4	Bolt
①92200	92200-7001	1	Washer

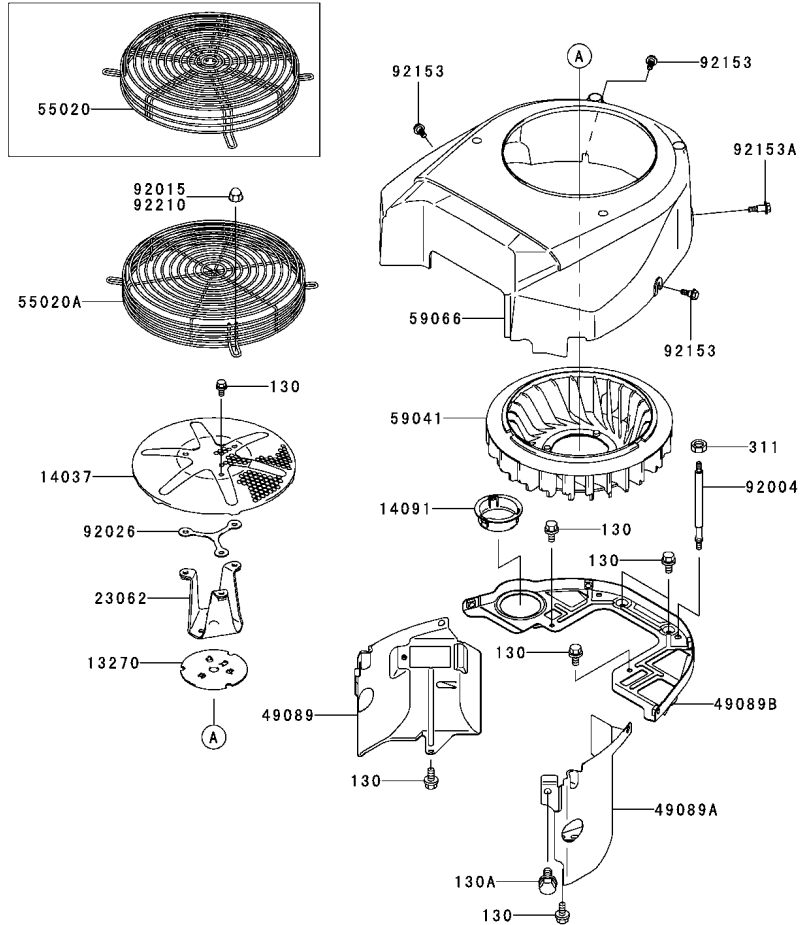
--	--	--	--



## Lubrication Equipment Assembly Kawasaki FH680V-AS21

Ref	Part No.	Qty.	Description
⑤13107	13107-7009	1	Shaft
⑤13271	13271-7005	1	Plate
⑤14075	14075-7008	1	Cap-Assy
⑤16154	16154-2053	1	Rotor-Pump (In)
⑤16154A	16154-2054	1	Rotor-Pump (Out)
⑤49065	49065-2078	1	Filter-Oil
⑤49065A	49065-7003	1	Filter-Oil
⑤59051	59051-7011	1	Gear-Spur
⑤59231	59231-7002	1	Filler
⑤92043	92043-7006	2	Pin
⑤92066	92066-7003	2	Plug
⑤92140	92140-7003	1	Ball
⑤92145	92145-7002	1	Spring
⑤130	130B0612	3	Bolt-Flanged
⑤670	670D2016	3	O-Ring (16mm)

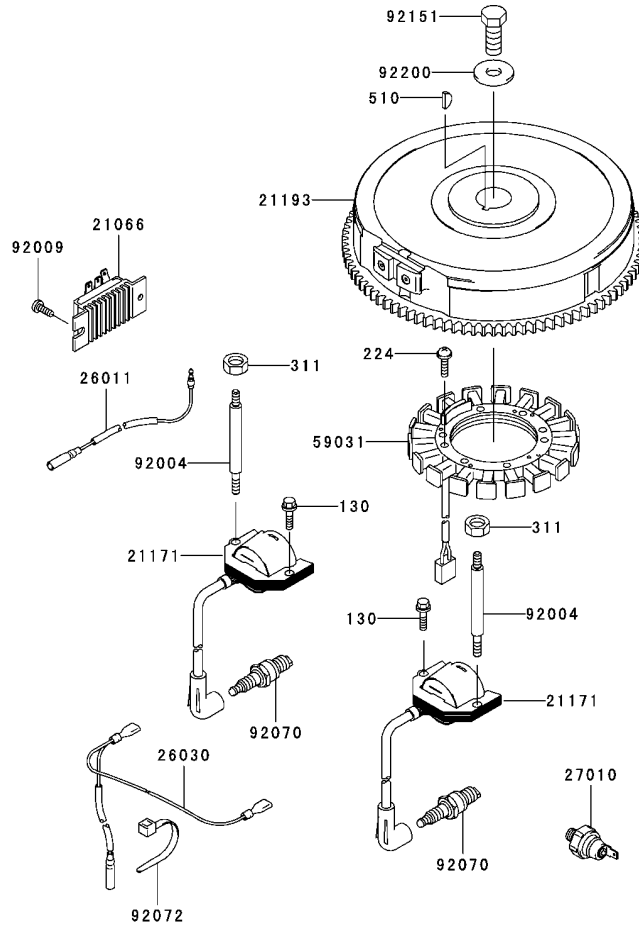
--	--	--	--



## Cooling Equipment Assembly Kawasaki FH680V-AS21

Ref	Part No.	Qty.	Description
③13270	13270-7007	1	Plate
③14037	14037-7008-9H	1	Screen
③14091	14091-7002	1	Cover
③23062	23062-7005	1	Bracket-Comp
③49089	49089-7004	1	Shroud-Engine
③49089A	49089-7005	1	Shroud-Engine
③49089B	49089-7030	1	Shroud-Engine
③55020	55020-7002	1	Guard
③55020A	55020-7007	1	Guard
③59041	59041-7003	1	Fan
③59066	59066-7004	1	Housing-Fan
③92004	92004-7006	2	Stud
③92015	92015-1170	4	Nut
③92026	92026-7007	0	Spacer
③92153	92153-7007	3	Bolt
③92153A	92153-7008	1	Bolt
③92210	92210-0003	4	Nut
③130	130B0612	9	Bolt-Flanged
③130A	130B0816	1	Bolt-Flanged
③311	311B0600	2	Nut-Hex

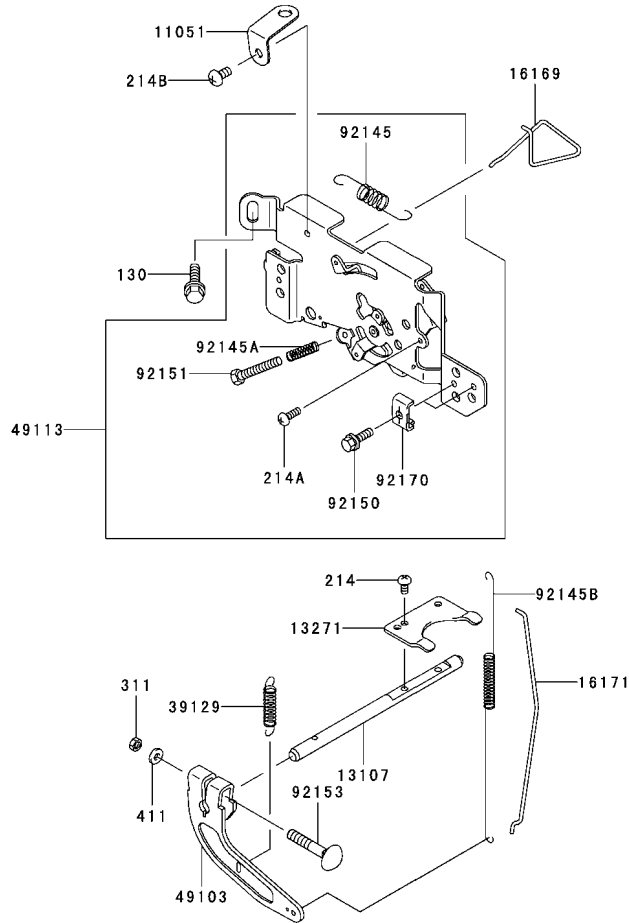
--	--	--	--



## Electric Equipment Assembly Kawasaki FH680V-AS21

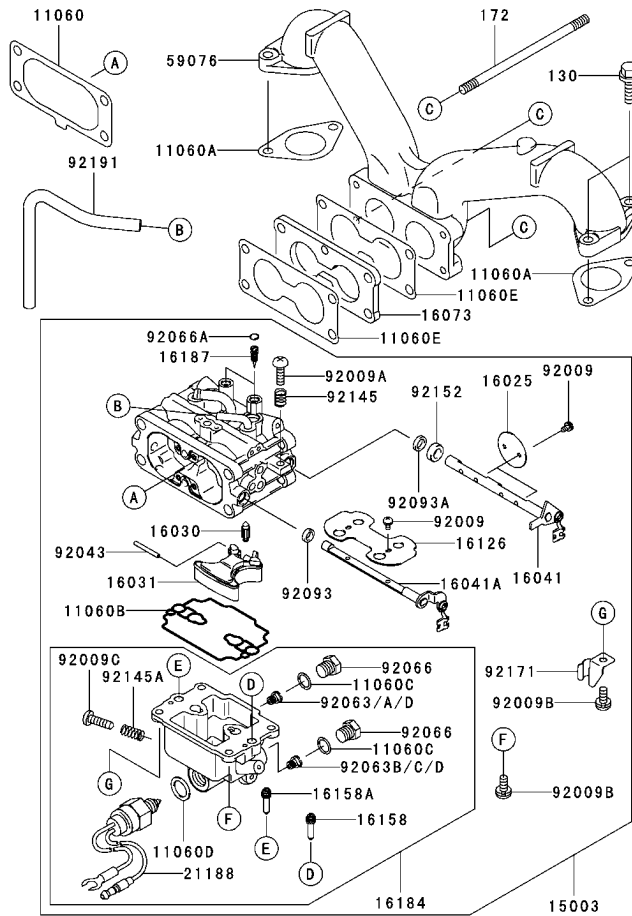
Ref	Part No.	Qty.	Description
②1066	21066-7006	1	Regulator-Voltage
②1171	21171-7007	2	Coil-ASM-Ignition
②1193	21193-7019	1	Flywheel-Assy
②6011	26011-7008	1	Wire-Lead
②6030	26030-7002	1	Harness
②7010	27010-7001	1	Switch
⑤9031	59031-7001	1	Coil-Charging
⑨2004	92004-7009	2	Stud
⑨2009	92009-2308	1	Screw
⑨2070	92070-7004	2	Plug-spark,bpr4es(Ngk), Solid
⑨2072	92072-7003	2	Band
⑨2151	92151-2097	1	Bolt (12x30)
⑨2200	92200-7002	1	Washer
③130	130B0620	2	Bolt-Flanged
③224	224B0520	4	Screw-Pan
③311	311B0600	2	Nut-Hex
⑤510	510A5100	1	Key-Woodruff

--	--	--	--



## Control Equipment Assembly Kawasaki FH680V-AS21

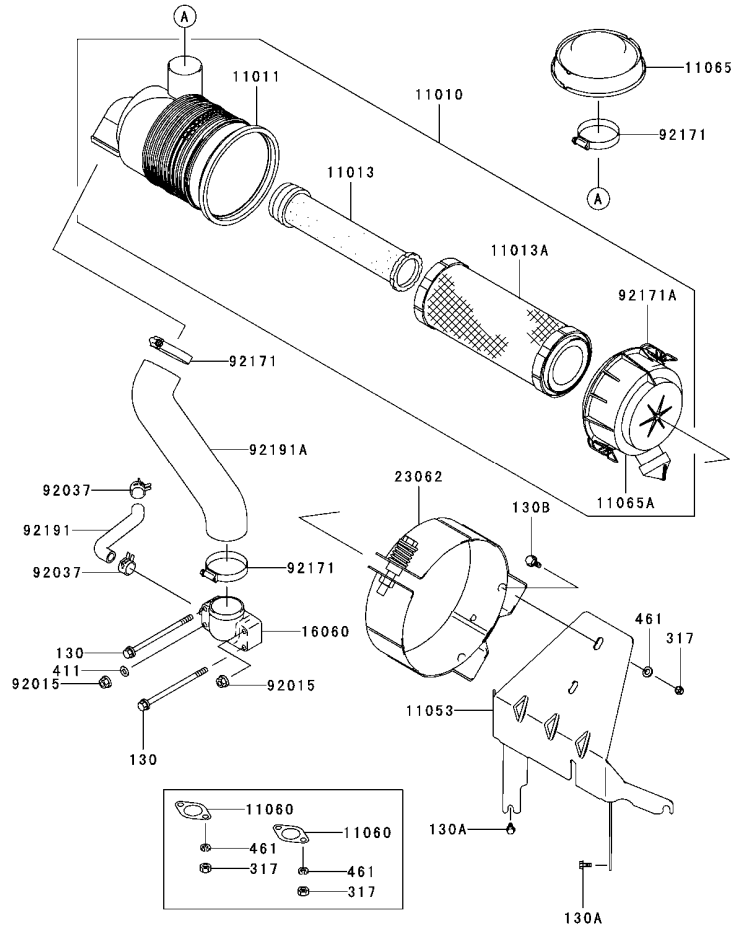
Ref	Part No.	Qty.	Description				
①11051	11051-7008	1	Bracket				
①13107	13107-7013	1	Shaft				
①13271	13271-7018	1	Plate				
①16169	16169-7006	1	Link-Choke				
①16171	16171-7004	1	Link				
①39129	39129-7004	1	Spring-Governor				
①49103	49103-7004	1	Arm-Governor				
①49113	49113-7017	1	Panel-Comp-Control				
①92145	92145-7004	1	Spring				
①92145A	92145-7005	1	Spring				
①92145B	92145-7009	1	Spring				
①92150	92150-2182	2	Bolt (5x18)				
①92151	92151-7014	1	Bolt, 5x30				
①92153	92153-7005	1	Bolt, 6x35				
①92170	92170-7001	2	Clamp				
①130	130B0612	2	Bolt-Flanged				
①214	214B0408	2	Screw-Pan				
①214A	214B0412	1	Screw-Pan				
①214B	214B0510	1	Screw-Pan				
①311	311B0600	1	Nut-Hex				
①411	411b0600	1	Washer-Plain				



## Carburetor Assembly Kawasaki FH680V-AS21

Ref	Part No.	Qty.	Description
⑤11060	11060-7009	1	Gasket, Air Filter
⑤11060A	11060-7011	2	Gasket
⑤11060B	11060-7018	1	Gasket, Float Chamber
⑤11060C	11060-7019	2	Gasket, Main Plug
⑤11060D	11060-7020	1	Gasket, Solenoid
⑤11060E	11060-7024	2	Gasket-Carburetor
⑤15003	15003-7073	1	Carburetor-Assy
⑤16025	16025-7003	2	Valve-Throttle
⑤16030	16030-7002	1	Valve-Float
⑤16031	16031-7001	1	Float
⑤16041	16041-7004	1	Shaft-Carburetor Throttle
⑤16041A	16041-7007	1	Shaft-Carburetor, Choke
⑤16073	16073-7005	1	Insulator
⑤16126	16126-7004	1	Valve, Choke
⑤16158	16158-7007	1	Jet-Slow, No.56
⑤16158A	16158-7008	1	Jet-Slow, No.42
⑤16184	16184-7010	1	Chamber-Assy-Float
⑤16187	16187-7002	2	Needle-Jet
⑤21188	21188-7001	1	Solenoid
⑤59076	59076-7002	1	Manifold-Intake
⑤92009	92009-7003	6	Screw
⑤92009A	92009-7004	1	Screw
⑤92009B	92009-7005	4	Screw
⑤92009C	92009-7006	1	Screw, Drain

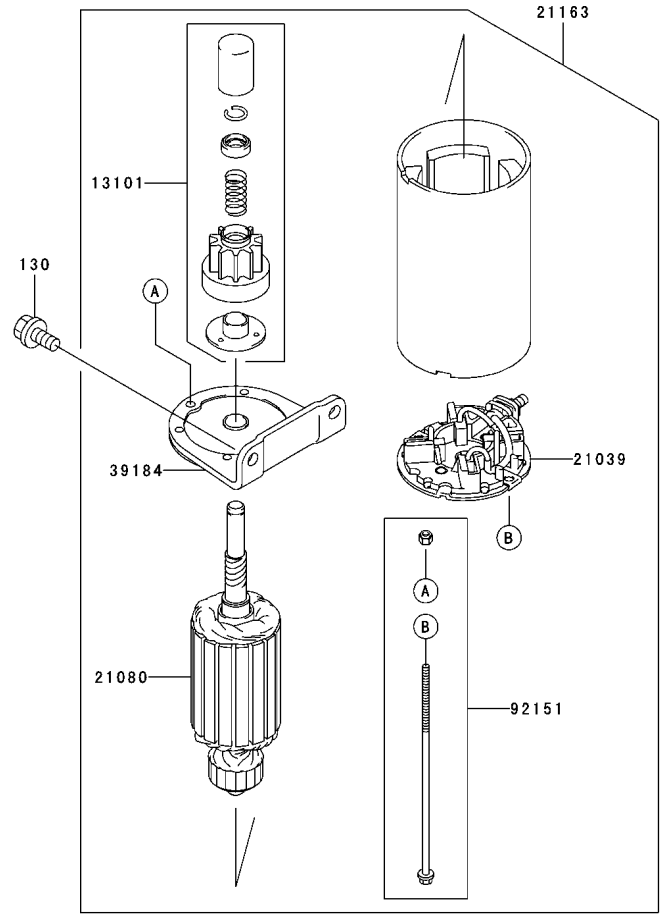
Ref	Part No.	Qty.	Description
⑤92043	92043-7004	1	Pin-Float
⑤92063	92063-7017	1	Jet-Main, No.133
⑤92063A	92063-7018	1	Jet-Main, No.130
⑤92063B	92063-7019	1	Jet-Main, No.139
⑤92063C	92063-7020	1	Jet-Main, No.134
⑤92063D	92063-7038	2	Jet-Main, No.114
⑤92066	92066-7008	2	Plug, Main Jet
⑤92066A	92066-7009	2	Plug, Extension
⑤92093	92093-7001	1	Seal
⑤92093A	92093-7002	1	Seal
⑤92145	92145-7010	1	Spring
⑤92145A	92145-7011	1	Spring
⑤92152	92152-7001	1	Collar
⑤92171	92171-7001	1	Clamp
⑤92191	92191-7023	1	Tube
⑤130	130B0620	4	Bolt-Flanged
⑤172	172G06105	2	Bolt-Stud



## Air Filter and Muffler Assembly Kawasaki FH680V-AS21

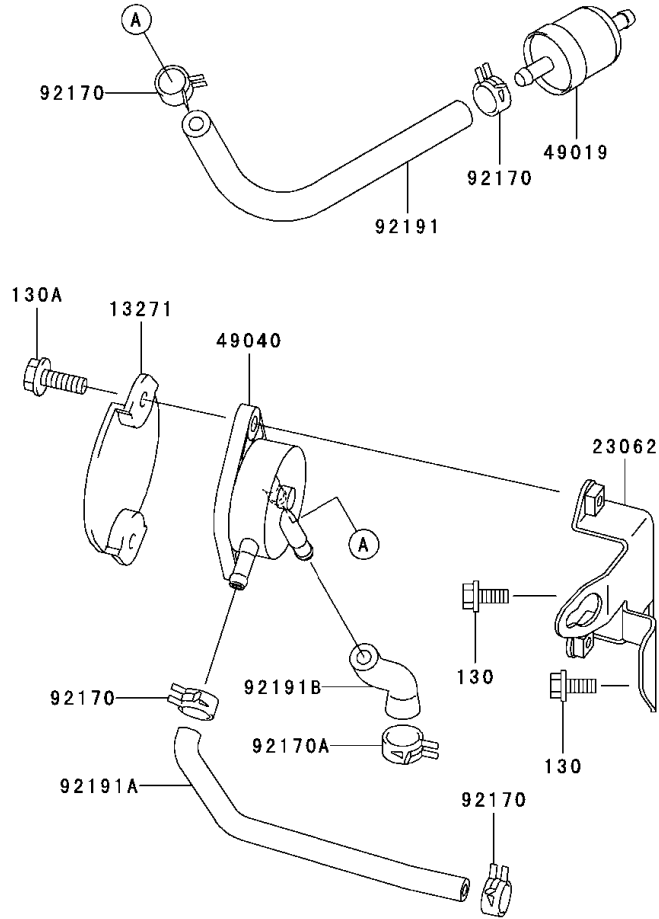
Ref	Part No.	Qty.	Description
①11010	11010-7004	1	Filter-Assy-Air
①11011	11011-7014	1	Case-Air Filter
①11013	11013-7019	1	Element-Air Filter
①11013A	11013-7020	1	Element-Air Filter
①11060	11060-7016	2	Gasket, Muffler
①11065	11065-7006	1	Cap
①11065A	11065-7008	1	Cap
①16060	16060-7005	1	Pipe-Intake
②92015	92015-1193	2	Nut
②92037	92037-2079	2	Clamp
③92171	92171-7007	3	Clamp
②92171A	92171-7009	2	Clamp
①92191	92191-7006	1	Tube
①92191A	92191-7028	1	Tube
②130	130B06105	2	Bolt-Flanged
②130A	130B0612	2	Bolt-Flanged
②130B	130B0816	2	Bolt-Flanged
⑥317	317R0800	6	Nut-Hex, Small
①411	411b0600	1	Washer-Plain
⑥461	461F0800	6	Washer-Spring

--	--	--	--



## Starter Assembly Kawasaki FH680V-AS21

Ref	Part No.	Qty.	Description				
①13101	13101-7001	1	Gear ASM				
①21039	21039-7001	1	Brush				
①21080	21080-7001	1	Armature				
①21163	21163-7001	1	Starter-Electric				
①39184	39184-7001	1	Bracket ASM				
①92151	92151-7013	1	Bolt				
①130	130B0816	2	Bolt-Flanged				



## Fuel Tank/Fuel Valve Assembly Kawasaki FH680V-AS21

Ref	Part No.	Qty.	Description				
③13271	13271-7004	1	Plate				
③23062	23062-7004-9H	1	Bracket-Comp				
③49019	49019-7001	1	Filter-Fuel				
③49040	49040-7001	1	Pump-Fuel				
③92170	92170-2088	4	Clamp				
③92170A	92170-7003	1	Clamp				
③92191	92191-7003	1	Tube (6.35x12.7x160)				
③92191A	92191-7017	1	Tube				
③92191B	92191-7027	1	Tube				
③130	130B0616	2	Bolt-Flanged				
③130A	130B0620	2	Bolt-Flanged				



## NOTES

