



## 43cm Recycler<sup>®</sup> Mower

Model No. 21014 - 24000001 and up.

### Parts Catalog

---

#### Ordering Replacement Parts

To order replacement parts, please supply the part number, the quantity, and the description of each part desired.

#### Understanding Reference Numbers

Each identified part in an illustration has a reference number. The reference number for a part also appears in the parts list, along with other information about the part.

This catalog uses two special reference number formats, one to indicate parts in a service assembly and another to indicate the quantity of a given part in an illustration.

#### Service Assembly Reference Numbers

Parts in service assemblies have reference numbers in the form a:b. The a represents the reference number of the entire service assembly and the b represents a sequential number unique to each part within the service assembly.

For example, a wheel assembly might be identified by reference number 6, the tire by 6:1, the valve by 6:2, and the wheel by 6:3. When you order the assembly identified by reference number 6, you receive all parts identified by reference numbers 6:1, 6:2, and 6:3. However, you may also order any part individually. Reference numbers of this type appear in illustrations and in part lists.

#### Reference Numbers Indicating Quantity

In an illustration, if a reference number indicates more than one part, the reference number has the form nX y. The n represents the quantity of the part, the X is the multiplication symbol, and the y represents the reference number.

For example, in an illustration, the reference number 2X 37 means that two of the parts identified by reference number 37 are indicated.

## Contents

Description	Page	Description	Page
Housing Assembly	..... 3	Engine Installation Assembly	..... 6
Rear Axle Assembly	..... 4	Grass Bag Assembly	..... 7
Blade Assembly	..... 5	Handle Assembly	..... 8
		Gearbox Assembly No. 106-4765	..... 9

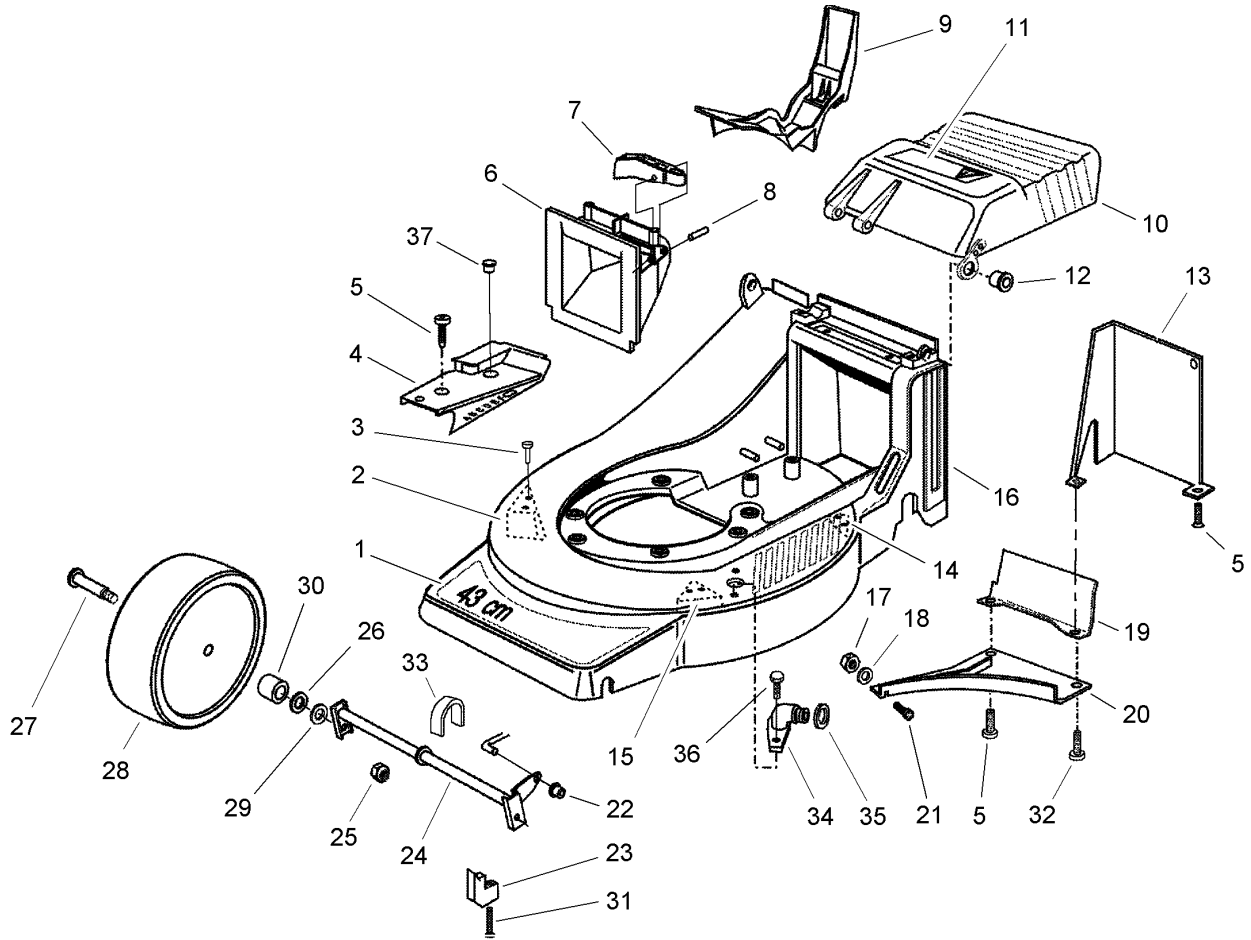
## Part Description Abbreviations

Part descriptions in this catalog may include the following abbreviations.

AR. ....	as required	HWHTF. ....	hex washer head thread forming
ASM. ....	assembly	HYD. ....	hydraulic
CARR. ....	carriage	INC. ....	incorporated
DEG. ....	degrees	LH. ....	left hand
EXT. ....	external	NI. ....	nylon insert
FH. ....	flat head	NPTF. ....	national pipe thread fine
GA. ....	gauge	PPH. ....	phillips pan head
HF. ....	hex flange	PRH. ....	phillips round head
HH. ....	hex head	PTH. ....	phillips truss head
HHF. ....	hex head flange	PTO. ....	power take off
HHFTF. ....	hex head flange thread forming	RH. ....	right hand
HJ. ....	hex jam	ROPS. ....	roll over protection system
HLH. ....	hex lag head	SFH. ....	slotted fillister head
HOC. ....	height-of-cut	SHH. ....	slotted hex head
HS. ....	hex	SHWH. ....	slotted hex washer head
HSBH. ....	hex socket button head	SPH. ....	slotted pan head
HSFH. ....	hex socket flat head	SQH. ....	square head
HSH. ....	hex socket head	SRH. ....	slotted round head
HWH. ....	hex washer head	STD. ....	standard

## Footnotes

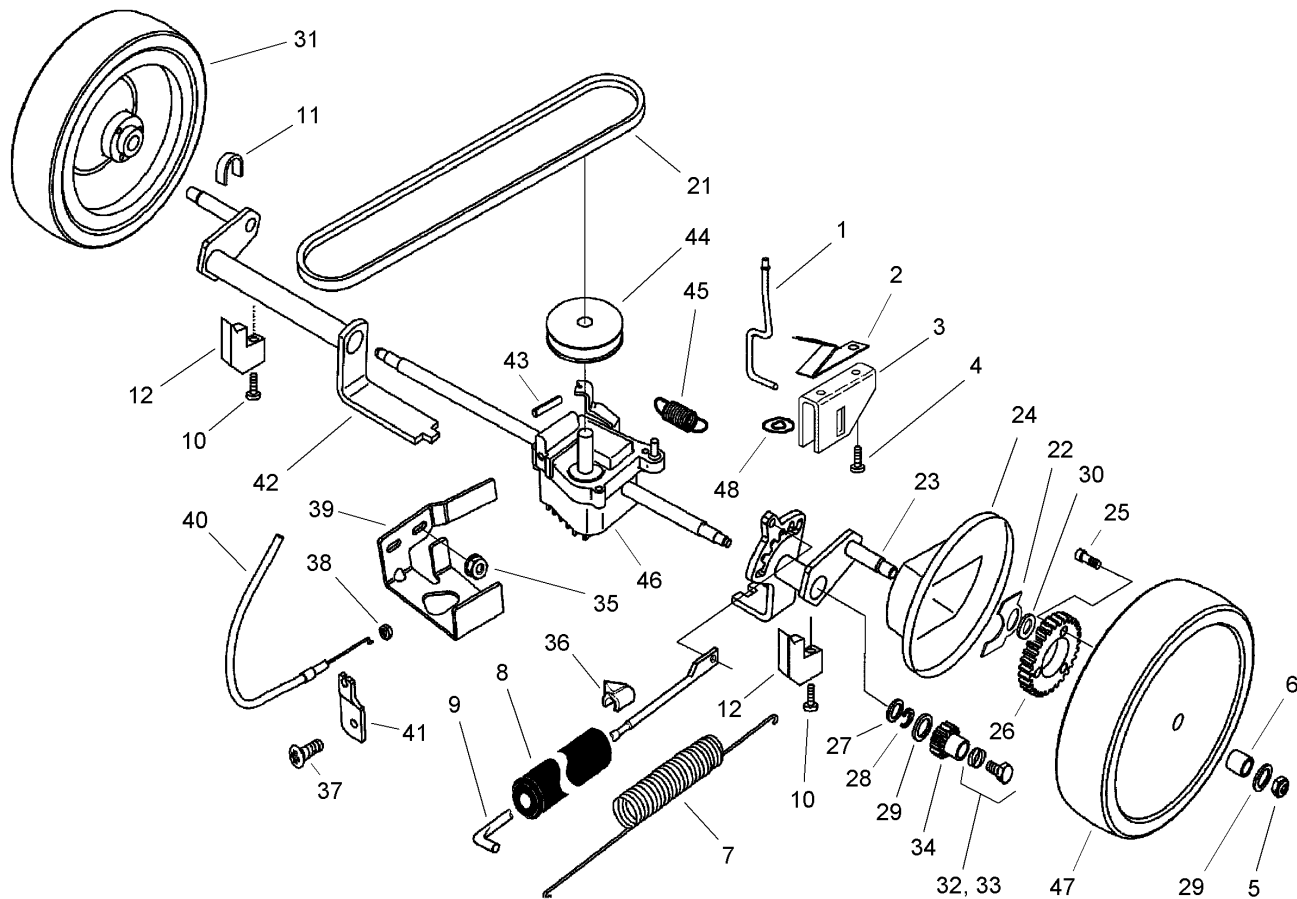
- ① Not serviced separately



## Housing Assembly

Ref	Part No.	Qty.	Description
1	95-6839	1	Decal
2	93-3730	1	Kicker
3	32144-111	6	Screw-PPH
4	106-4750	1	Cover-Belt
5	95-6941	3	Screw
6	93-4054	1	Grip-Lower
7	98-3236	1	Trigger-Height Of Cut
8	3284-5	1	Pin-Spiral
9	93-3790	1	Plug
10	99-1700	1	Discharge Door ASM
11	99-1708	1	Decal-Danger
12	93-3794	1	Bushing-Door
13	98-1429	1	Cover-Shield
14	93-3750	1	Kicker
15	93-3740	1	Kicker
16	106-4751	1	Housing
17	3296-2	1	Nut-Lock
18	3256-21	1	Washer-Flat
19	93-4110	1	Baffle-Bagger, Rear
20	93-3720	1	Baffle
21	3250-13	1	Screw-PPH
22	32112-11	1	Nut-Push
23	98-3216	2	Retainer-Axle
24	93-4080	1	Axle-Front

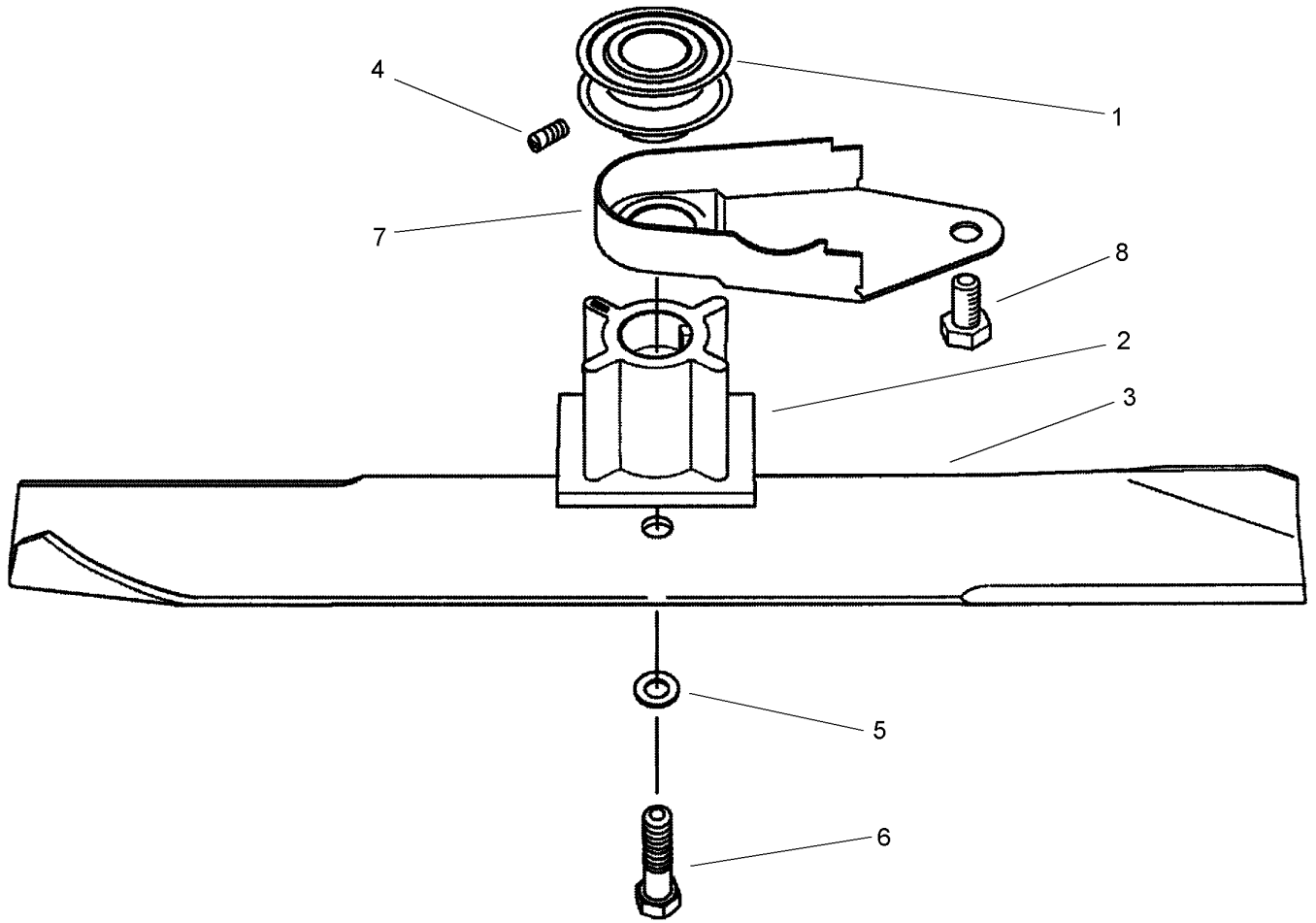
Ref	Part No.	Qty.	Description
25	99-1711	2	Nut-Lock
26	40-1940	4	Washer
27	99-1712	2	Bolt-Wheel
28	93-4081	2	Wheel-Front
29	99-1713	2	Washer-Wave
30	93-7024	4	Bushing
31	93-3793	2	Screw-Retainer
32	94-1864	1	Screw-Baffle
33	98-3222	2	Cap-Axle, Front
34	95-2747	1	Fitting-Washout
35	46-6290	1	O-Ring
36	46-6811	2	Screw-HWH
37	95-6908	2	Cap-Cover



## Rear Axle Assembly

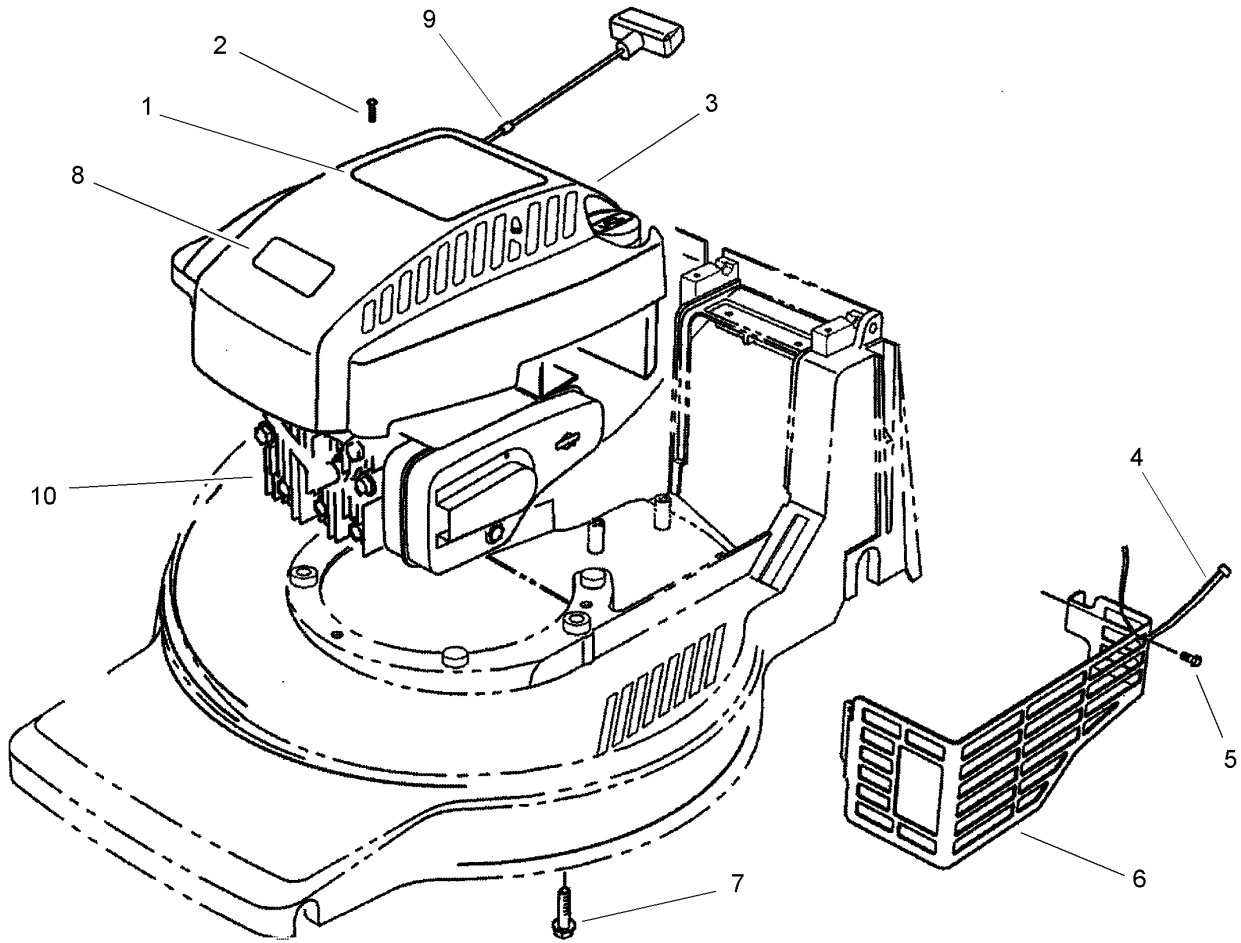
Ref	Part No.	Qty.	Description
1	98-3232	1	Rod-Trigger
2	93-4062	1	Spring-Return, Trigger
3	93-4066	1	Saddle-Height Of Cut
4	93-4095	2	Screw-Baffle
5	93-4098	2	Nut-Wheel
6	93-7023	4	Bushing
7	71-7740	1	Spring-Counterbalance
8	71-8450	1	Cover-Spring
9	93-4065	1	Rod-Link
10	93-3793	2	Screw-Retainer
11	98-3226	2	Cap-Axle, Rear
12	98-3216	2	Retainer-Axle
21	93-4118	1	Belt - V
22	93-3783	1	Wheel-Rear
22	95-6909	2	Plate-Locking
23	95-6912	1	Axle-Rear, Left
24	93-4067	2	Cover-Wheel
25	95-6925	6	Screw-Wheel
26	93-4068	2	Gear-Wheel
27	93-3792	4	Washer-Cover
28	93-3791	2	Washer-Axle
29	93-4099	4	Washer-Gear
30	95-6945	2	Washer
31	93-3783	1	Wheel-Rear

Ref	Part No.	Qty.	Description
32	99-1715	1	Left Bushing ASM
33	99-1716	1	Right Bushing ASM
34	93-4072	2	Gear
35	106-4789	2	Nut
36	71-7980	1	Indicator-Height Of Cut
37	93-4116	1	Screw-Bracket
38	106-4758	1	Nut-Cable
39	106-4759	1	Guide-Belt
40	106-4760	1	Cable-Drive
41	106-4761	1	Retainer-Cable
42	95-6913	1	Axle-Rear, Right
43	106-4762	1	Pin-Roll
44	106-4763	1	Pulley-Gearbox
45	106-4764	1	Spring-Clutch
46	106-4765	1	Gearbox ASM
47	93-9836	1	Wheel-Smart, Rear
48	106-4790	1	Washer



### Blade Assembly

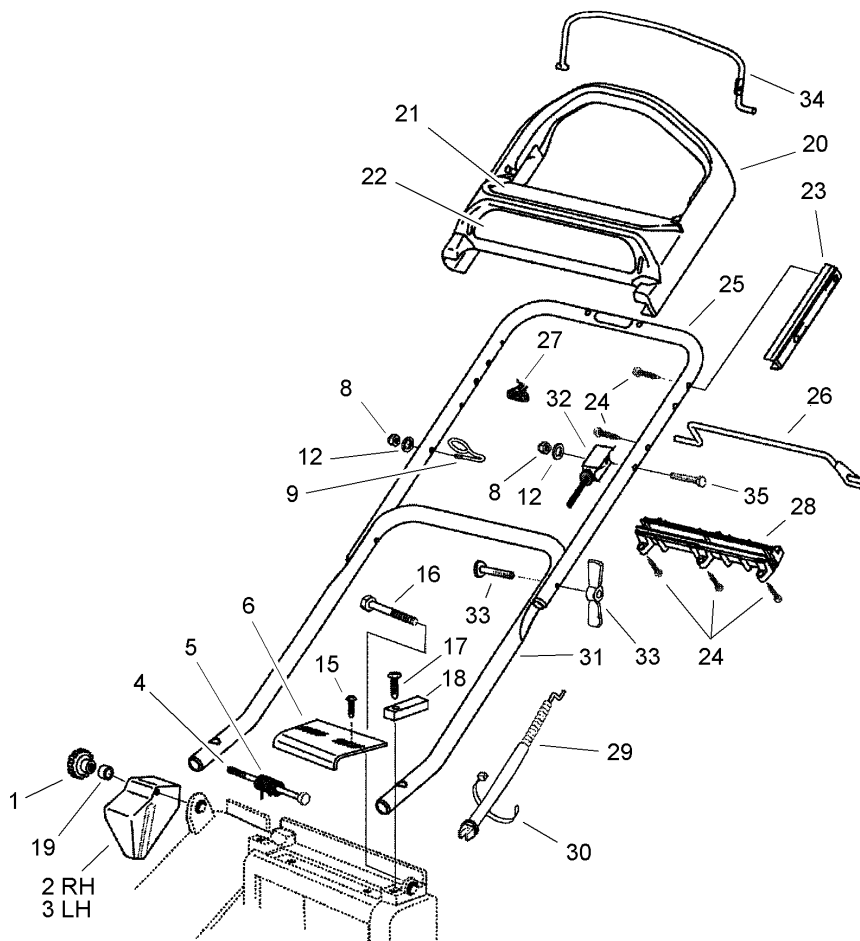
Ref	Part No.	Qty.	Description				
1	93-4091	1	Retainer-Blade				
2	98-1430	1	Blade-Recycler				
3	3253-22	1	Washer-Lock				
4	26-0672	1	Bolt-Blade				
5	106-4752	1	Pulley-Driver				
6	106-4791	1	Screw-Worm				
7	93-8718	1	Cover-Guide, Belt				
8	93-9837	1	Screw-Cover, Belt				



### Engine Installation Assembly

Ref	Part No.	Qty.	Description				
1	95-6838	1	Decal-Shroud				
2	32144-121	2	Screw-PPH				
3	93-0243	1	Shroud-Engine				
4	3290-378	1	Tie-Cable				
5	32144-73	1	Screw-HWH				
6	82-8550	1	Shield-Muffler				
7	32144-102	3	Screw-HWH				
8	98-3206	1	Decal				
9	2210-316	1	Stop-Rope				
●10		1	Engine				

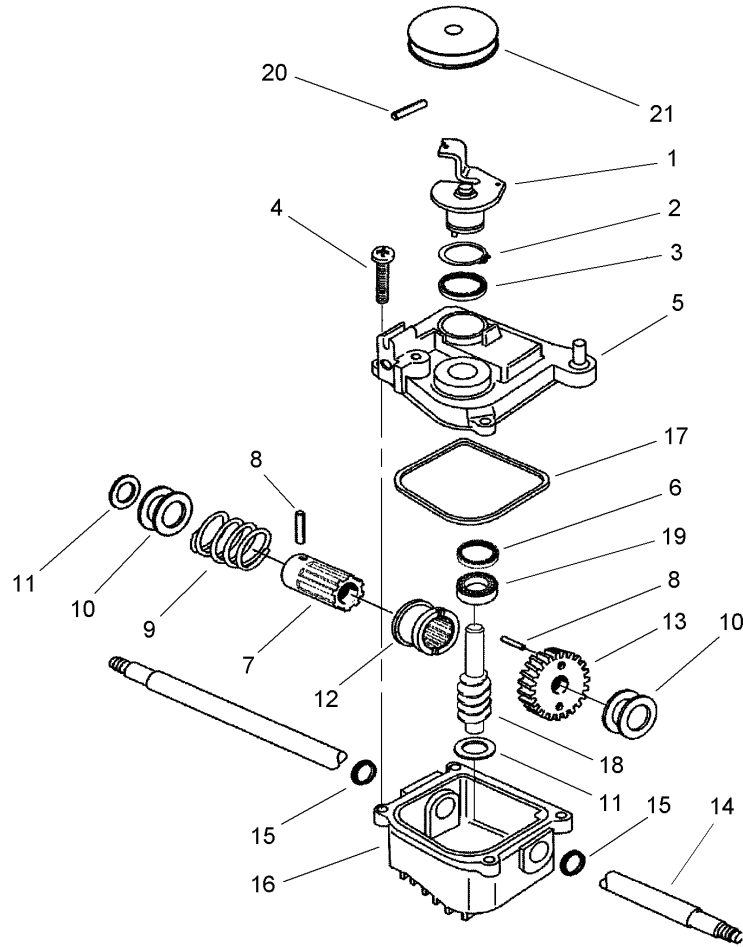




### Handle Assembly

Ref	Part No.	Qty.	Description
1	19-4050	2	Knob
2	99-1710	1	Mount-Handle, Right
3	99-1705	1	Mount-Handle, Left
4	93-4058	1	Bolt-Long
5	93-4057	1	Spring-Door
6	71-7860	1	Grip-Upper
8	3296-73	4	Nut-Lock, NI
9	95-4457	1	Guide-Rope
12	3256-1	3	Washer-Flat
15	32144-97	2	Screw-Pph, Plastite
16	93-4060	1	Bolt-Short
17	93-4094	2	Screw-Cap, Hinge
18	93-4056	2	Cap-Bolt
19	99-1717	2	Spacer-Mount, Handle
20	95-6845	1	Handle-Control
21	106-4792	1	Decal-Control
22	106-4793	1	Decal-Drive
23	99-1590	2	Guide-Handle, Control
24	94-4496	10	Screw-PPH
25	95-6846	1	Handle-Upper
26	95-6847	1	Bar-Control, Traction
27	95-6849	1	Spring-Torsion
28	99-6008	1	Retainer-Control Rod, Traction
29	106-4754	1	Cable-Brake

Ref	Part No.	Qty.	Description
30	3290-378	2	Tie-Cable
31	95-6851	1	Handle-Lower
32	106-4760	1	Cable-Drive
33	95-6718	1	Bolt And Screw Set-Handle
34	95-6858	1	Bail-Brake
35	95-4453	1	Screw



### Gearbox Assembly No. 106-4765

Ref	Part No.	Qty.	Description
1	106-4766	1	Lever
2	106-4767	1	Snap Ring
3	106-4768	1	Seal
4	106-4769	4	Screw
5	106-4770	1	Housing-Upper
6	106-4771	1	Seal
7	106-4772	1	Driver
8	106-4777	3	Pin
9	106-4773	1	Spring
10	106-4774	4	Shim
11	106-4775	2	Washer
12	106-4776	1	Sleeve-Clutch
13	106-4778	1	Gear
14	106-4779	1	Shaft
15	106-4780	2	Seal
16	106-4781	1	Housing-Bottom
17	106-4782	1	Gasket-Gearbox
18	106-4785	1	Gear-Worm
19	106-4786	1	Bearing
20	106-4762	1	Pin-Roll
21	106-4763	1	Pulley-Gearbox


## NOTES

# NOTES

