



## Workman<sup>®</sup> 3100

Model No. 07214 - 220000001 and up.

### Parts Catalog

---

#### **Ordering Replacement Parts**

To order replacement parts, please supply the part number, the quantity, and the description of each part desired.

#### **Understanding Reference Numbers**

Each Identified part in an illustration has a reference number. The reference number for a part also appears in the parts list, along with other information about the part.

This catalog uses two special reference number formats, one to indicate parts in a service assembly and another to indicate the quantity of a given part in an illustration.

#### **Service Assembly Reference Numbers**

Parts in service assemblies have reference numbers in the form a:b. The a represents the reference number of the entire service assembly and the b represents a sequential number unique to each part within the service assembly.

For example, a wheel assembly might be identified by reference number 6, the tire by 6:1, the valve by 6:2, and the wheel by 6:3. When you order the assembly identified by reference number 6, you receive all parts identified by reference numbers 6:1, 6:2, and 6:3. However, you may also order any part individually. Reference numbers of this type appear in illustrations and in part lists.

#### **Reference Numbers Indicating Quantity**

In an illustration, if a reference number indicates more than one part, the reference number has the form nX y. The n represents the quantity of the part, the X is the multiplication symbol, and the y represents the reference number.

For example, in an illustration, the reference number 2X 37 means that two of the parts identified by reference number 37 are indicated.

# Contents

<b>Description</b>	<b>Page</b>	<b>Description</b>	<b>Page</b>
Hood and Bumper Assembly	..... 3	Battery Assembly	..... 31
Operator Frame Assembly No. 105-4218	..... 4	Fuel Tank Assembly	..... 32
Dash Panel Assembly	..... 5	Lift Valve Linkage Assembly	..... 33
Steering Assembly	..... 6	Air Cooled Engine Assembly	..... 34
Brake and Accelerator Assembly	..... 7	Air Cooled Muffler and Relay Assembly	..... 35
Master Cylinder Assembly No. 94-3800	..... 8	Air Cooled Engine Support Assembly	..... 36
Hydraulic Brake Assembly	..... 9	Differential Lock and Parking Brake Assembly	..... 37
Clutch Linkage Assembly	..... 10	Transaxle Case Assembly No. 100-4463	..... 38
Shroud and Seat Assembly	..... 11	Transaxle Gear Shaft Assembly No. 100-4463	..... 39
Roll-Over-Protection-System Assembly	..... 12	Countershaft Assembly No. 100-4463	..... 40
Front Wheel Assembly	..... 13	Shift Fork Assembly No. 100-4463	..... 41
RH Front Brake Assembly No. 87-3010	..... 14	Differential Gear Assembly No. 100-4463	..... 42
LH Front Brake Assembly No. 87-3020	..... 15	Hydraulic Schematic	..... 43
Tie Rod Assembly	..... 16	Electrical Schematic	..... 44
Console Assembly	..... 17	Crankshaft Assembly Kohler CH23-76548	..... 45
Front Suspension Assembly	..... 18	Crankcase Assembly Kohler CH23-76548	..... 46
Front Control Arm Assembly	..... 19	Oil Pan/Lubrication Assembly Kohler CH23-76548	..... 47
Lift Valve and Cylinder Assembly	..... 20	Head/Valve/Breather Assembly Kohler CH23-76548	..... 48
Hydraulic Valve Assembly No. 43-1950-03	..... 21	Ignition/Electrical Assembly Kohler CH23-76548	..... 49
Hydraulic Gear Pump Assembly No. 87-5700	..... 22	Blower Housing and Baffle Assembly Kohler CH23-76548	..... 50
Rear Frame Assembly	..... 23	Starting System Assembly Kohler CH23-76548	..... 51
Rear Axle Assembly	..... 24	Fuel System Assembly Kohler CH23-76548	..... 52
LH Rear Brake Assembly No. 93-7126	..... 25	Engine Control Assembly Kohler CH23-76548	..... 53
RH Rear Brake Assembly No. 93-7125	..... 26	Air Intake/Filtration Assembly Kohler CH23-76548	..... 54
Driveshaft Assembly No. 98-2918	..... 27	Exhaust Assembly Kohler CH23-76548	..... 55
Taillight and Fender Assembly	..... 28		
Transaxle Assembly	..... 29		
Hydraulic Filter Assembly	..... 30		

## Part Description Abbreviations

Part descriptions in this catalog may include the following abbreviations.

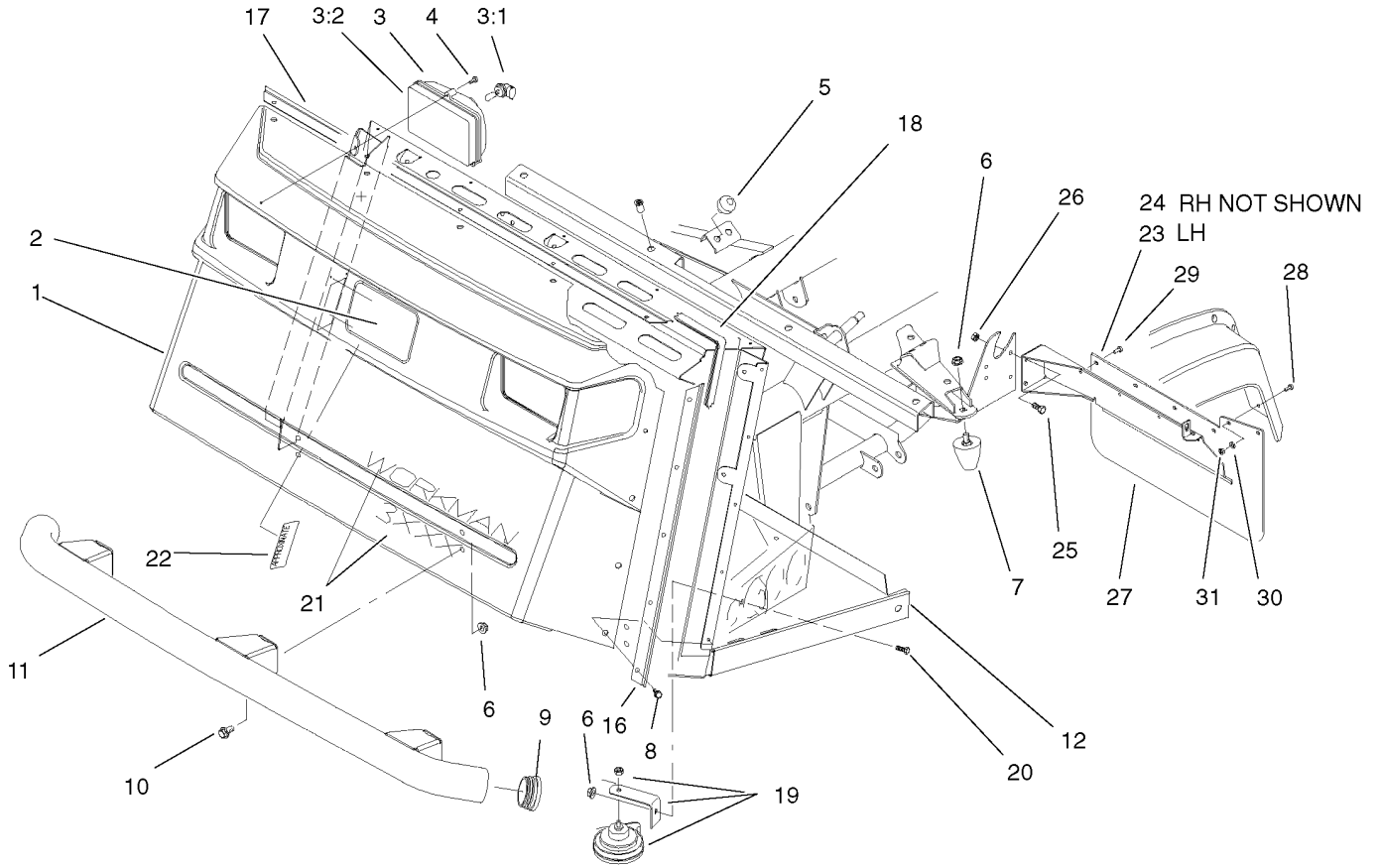
AR. .... as required	HYD. .... hydraulic
ASM. .... assembly	INC. .... incorporated
CARR. .... carriage	LH. .... left hand
DEG. .... degrees	NI. .... nylon insert
FH. .... flat head	PPH. .... phillips pan head
GA. .... gauge	PTH. .... phillips truss head
HF. .... hex flange	PTO. .... power take off
HH. .... hex head	RH. .... right hand
HHF. .... hex head flange	SFH. .... slotted fillister head
HHFTF. .... hex head flange thread forming	SHH. .... slotted hex head
HJ. .... hex jam	SHWH. .... slotted hex washer head
HLH. .... hex lag head	SPH. .... slotted pan head
HOC. .... height-of-cut	SQH. .... square head
HS. .... hex	SRH. .... slotted round head
HSBH. .... hex socket button head	STD. .... standard
HSFH. .... hex socket flat head	TAP. .... self tapping
HSH. .... hex socket head	TTH. .... torx truss head
HWH. .... hex washer head	WH. .... wing head
HWHTF. .... hex washer head thread forming	

## Footnotes

1 Not illustrated

2 Not serviced separately

3 Obtain parts from your local Kohler dealer.

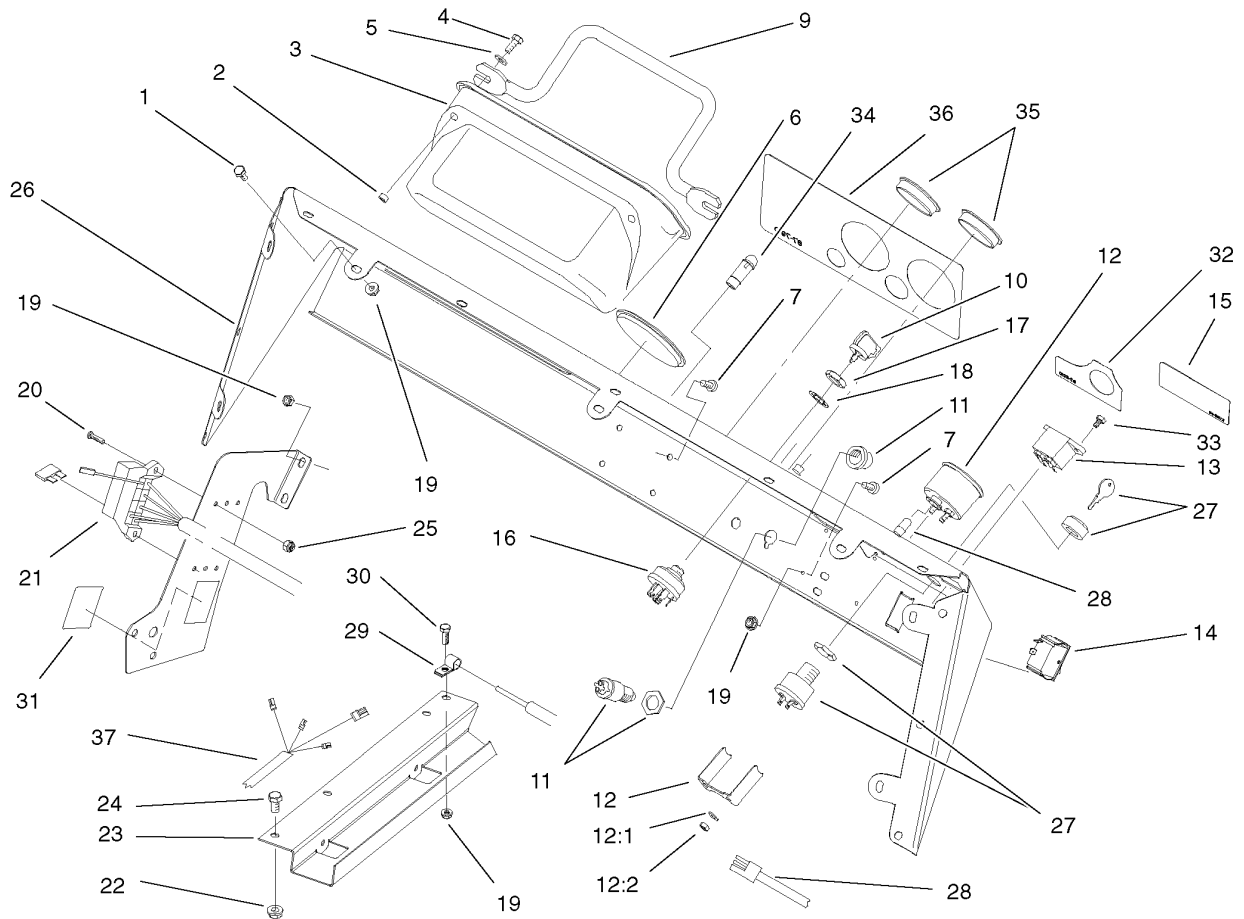


## Hood and Bumper Assembly

Ref	Part No.	Qty.	Description
1	87-0710	1	Hood-Front
2	62-5550	1	Decal
3	87-2120	2	Headlight
3:1	95-0909	1	Lamp-12 Volt
3:2	87-6330	1	Lens-Headlight
4	32104-88	6	Screw-HWH
5	87-2440	2	Bumper-Rubber
6	3290-357	9	Nut-HHF
7	26-0071	2	Snubber-Rubber
8	87-6620	15	Screw
9	2410-42	2	Cap-End
10	3234-1	6	Screw-HHF
11	87-4070-03	1	Bumper ASM
12	105-4218	1	Operator Frame ASM
16	87-8120-03	2	Bracket-Trim, Side
17	87-8130-03	1	Bracket-Trim, Top
18	87-8160	1	Trim-Lok
19	116749	1	Horn
20	323-4	1	Screw-HH
21	87-6030	1	Decal-Workman 3100
22	105-4219	1	Decal-Load Rating
23	94-3838-03	1	Bracket-Mudflap, LH
24	94-3839-03	1	Bracket-Mudflap, RH
25	321-4	4	Screw-HH

Ref	Part No.	Qty.	Description
26	32128-33	4	Nut-HF
27	94-3841	2	Mudflap
28	3250-13	4	Screw-PPH
29	146489	8	Rivet
30	3256-61	4	Washer-Flat
31	3296-2	4	Nut-Lock

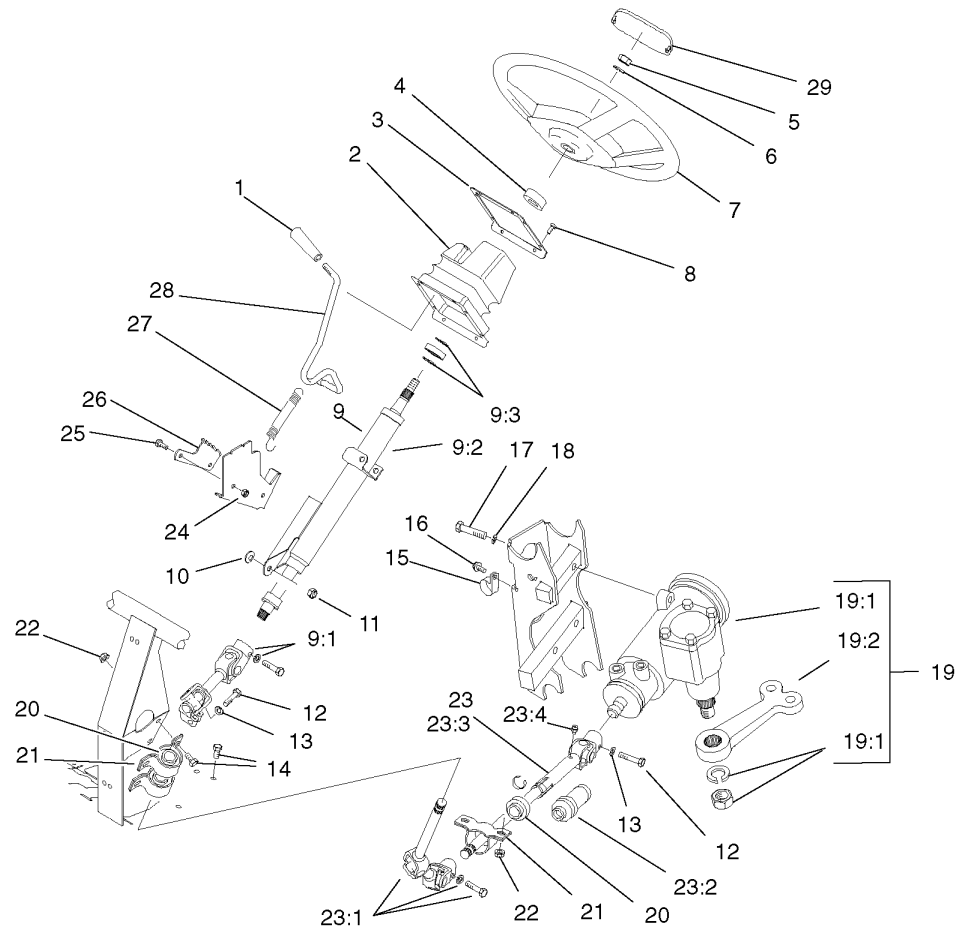




## Dash Panel Assembly

Ref	Part No.	Qty.	Description
1	321-2	7	Screw-HH
2	32148-6	2	Insert-Nut
3	87-3780	1	Box-Glove
4	321-5	2	Screw-HH
5	3256-22	2	Washer-Flat
6	2410-35	1	Plug-Cap
7	3274-31	4	Screw-HSBH
9	105-1758	1	Handle-Grab
10	63-8360	1	Key-Ignition
11	18-2830	1	Button-Horn
12	98-9339	1	Gauge-Fuel
12:1	3254-1	3	Washer-Lock, Int
12:2	3217-27	3	Nut-Hex
12:3	105-9265	1	Bulb And Lamp ASM
13	75-6820	1	Hourmeter
14	87-3790	1	Switch-Light
15	94-5272	1	Decal-Warning
16	27-2360	1	Switch-Key
16:1	218-446	1	Nut-Hex
16:2	218-447	1	Washer-Lock
19	32128-33	12	Nut-HF
20	3250-13	2	Screw-PPH
21	105-7970	1	Harness-Wire, Front Right
22	32128-20	3	Nut-HF

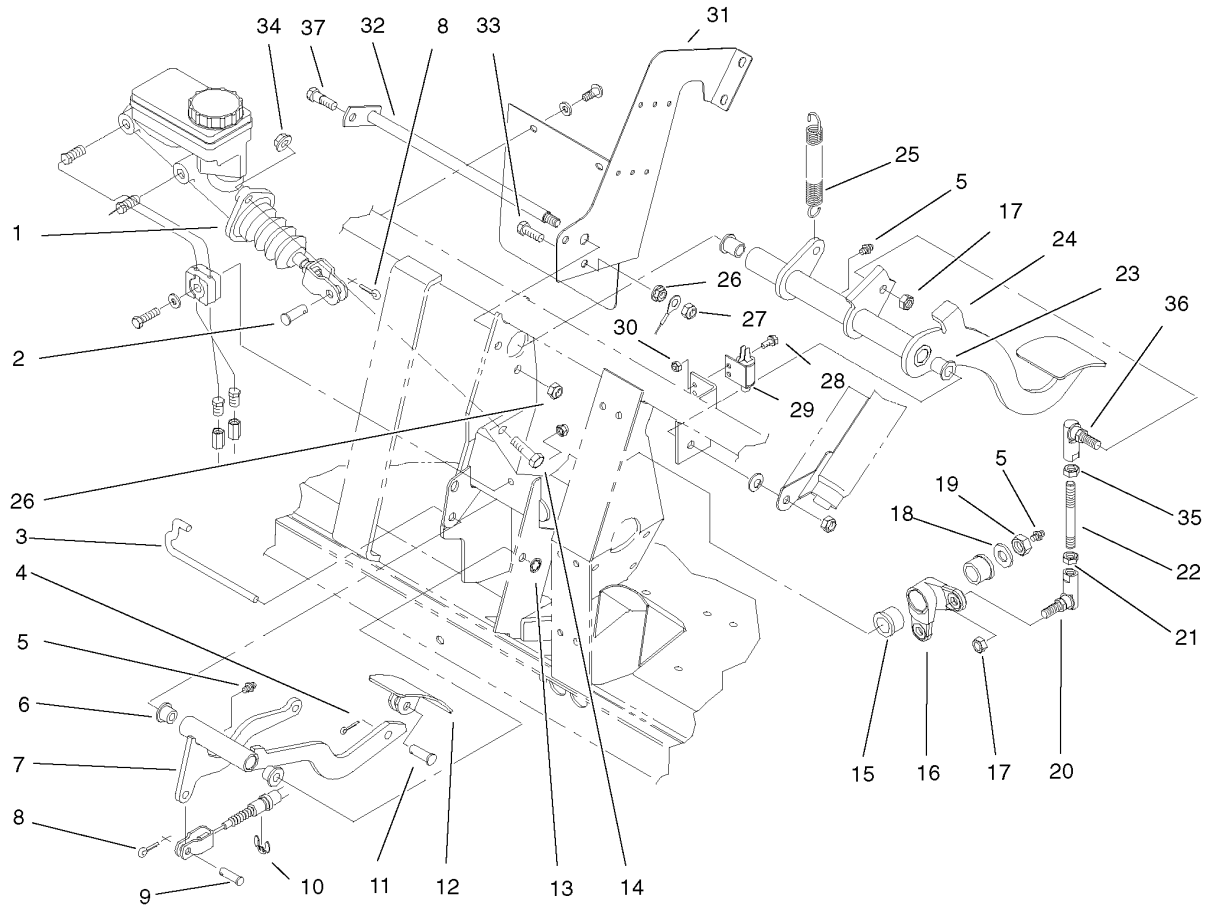
Ref	Part No.	Qty.	Description
23	93-7094-03	1	Cover-Harness, Wire
24	322-2	3	Screw-HH
25	3296-2	2	Nut-Lock
26	87-8560	1	Dash Panel ASM
27	94-5245	1	Switch-Key
28	105-1791	1	Harness-Wire, Front Left
29	2412-89	1	Clamp
30	321-4	1	Screw-HH
31	87-6670	1	Decal-Block, Fuse
32	87-5910	1	Decal-Supervisor / Light
33	32144-18	2	Screw-HH
34	87-8580	1	Light-Indicator
35	87-8360	2	Plug-Hole, Dash
36	87-7910	1	Decal-Dash, Air Cool
37	99-1115	1	Harness - Air Cooled



## Steering Assembly

Ref	Part No.	Qty.	Description
1	233-39	1	Knob-Control
2	87-3460	1	Boot-Steering
3	87-4720-03	1	Plate-Boot, Steering
4	21-9260	1	Cover-Dust
5	3277-1	1	Nut-Hex
6	48-8070	1	Washer-Lock
7	87-3820	1	Wheel-Steering
8	32144-116	8	Tscrew-Crph
②9		1	Steering Column / U-Joint
9:1	92-4154	1	U-Joint ASM
9:2	92-4153	1	Steering Column Shaft ASM
9:3	46-2210	2	Shim-Bearing, Front
10	3290-455	1	Washer-Belleville
11	3296-59	1	Nut-Lock, NI
12	48-7740	2	Screw
13	3253-4	2	Washer-Lock
14	322-2	6	Screw-HH
15	2412-105	2	Clamp-Tube, Double
16	32144-10	2	Screw-HWH
17	93-7145	3	Bolt-HH
18	87-7480	3	Washer
②19		1	Steering Gear / Pitman ASM
19:1	105-9524-03	1	Gear-Steering, 2wd
19:2	87-0370-03	1	Arm-Pitman

Ref	Part No.	Qty.	Description
20	87-2280	3	Bearing-Plastic
21	87-3250	3	Block-Pillow
22	32128-20	6	Nut-HF
23	87-3100	1	Shaft-Slip, U-Joint
23:1	92-4155	1	Upper Slip Joint ASM
23:2	92-4157	1	Seal-Boot
23:3	92-4156	1	Lower Slip Joint ASM
23:4	302-5	1	Fitting-Grease
24	3296-42	2	Nut-Lock, NI
25	321-3	2	Screw-HH
26	87-3610	1	Bracket-Detent
27	65-5360	1	Extension-Spring
28	87-3130	1	Lever-Tilt
29	87-3750	1	Cover-Wheel, Steering

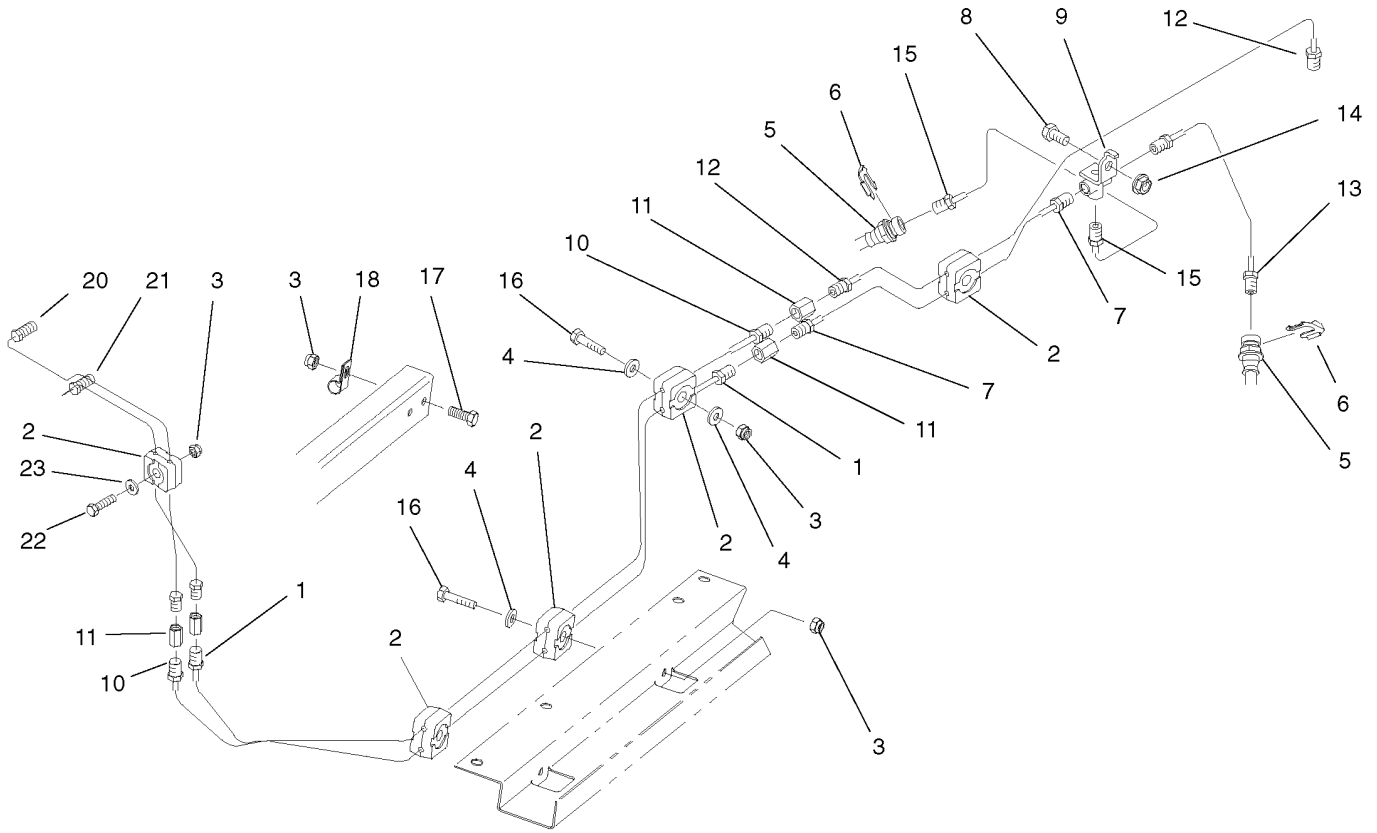


## Brake and Accelerator Assembly

Ref	Part No.	Qty.	Description
1	94-3800	1	Master Cylinder ASM
2	283-2	1	Pin-Clevis
3	87-2880	1	Shaft-Pedal, Accelerator
4	3272-6	1	Pin-Cotter
5	302-5	3	Fitting-Grease
6	256-259	2	Bushing-Flange
7	93-8961-03	1	Arm-Pedal
8	3272-10	2	Pin-Cotter
9	283-30	1	Pin-Clevis
10	32120-47	1	Ring-Retaining, External
11	283-85	1	Pin-Clevis
12	93-8969-03	1	Pedal
13	32151-56	1	Ring-Retaining, External
14	323-7	2	Screw-HH
15	256-247	2	Bushing-Flange
16	94-5223	1	Crank-Bell
17	3296-6	2	Nut-Lock
18	3256-26	1	Washer-Flat
19	3296-23	1	Nut-Lock, NI
20	68-3840	1	Joint-Ball, RH Threaded
21	3220-3	1	Nut-Jam
22	94-5299	1	Rod-Link, Straight
23	256-155	2	Bushing-Flange
24	93-8965-03	1	Brake Pedal ASM

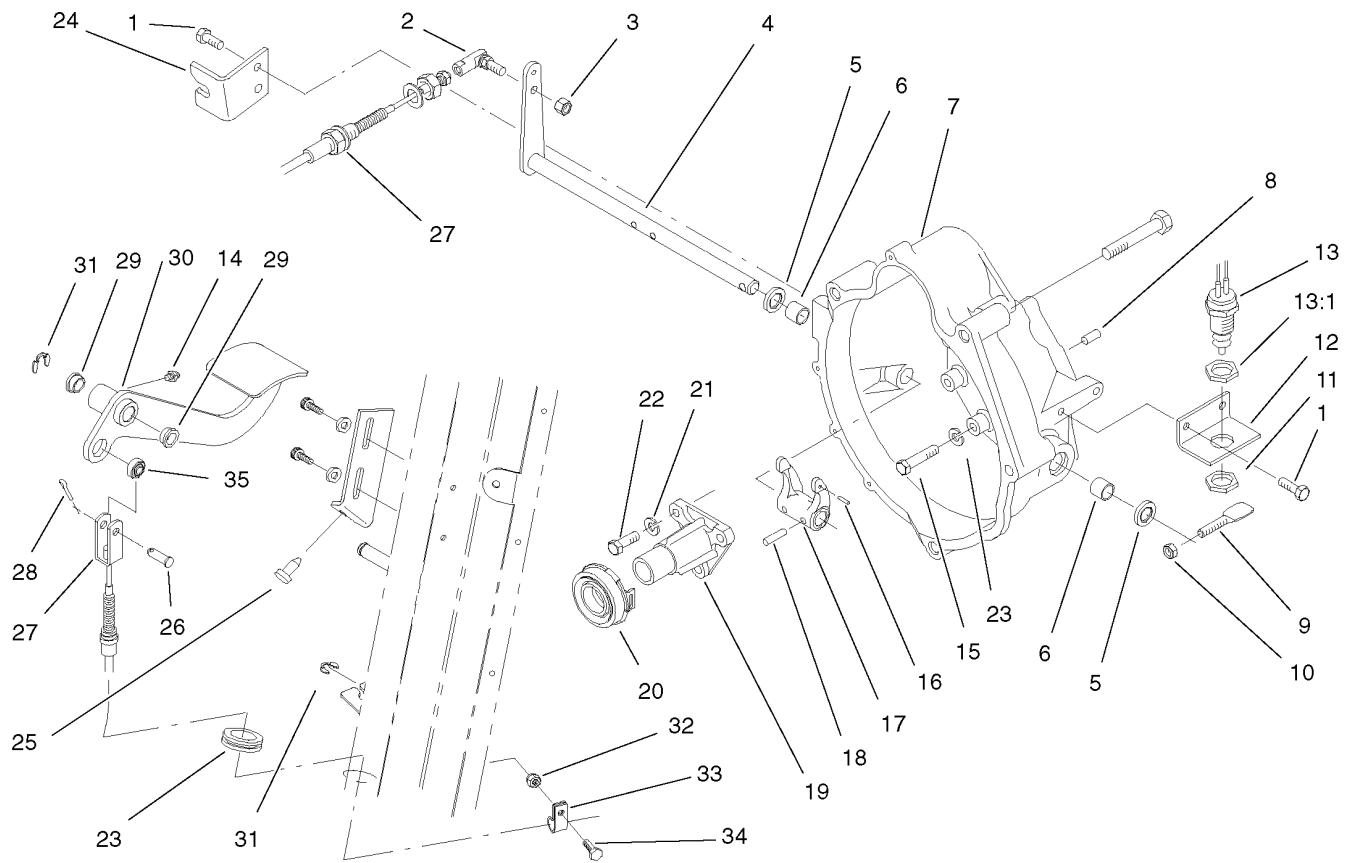
Ref	Part No.	Qty.	Description
25	76-9430-03	1	Spring-Extention
26	32128-20	2	Nut-HF
27	3296-29	1	Nut-Lock, NI
28	3290-321	2	Screw-HWH
29	55-7120	1	Switch-Brake, Parking
30	3296-2	2	Nut-Lock
31	94-3821-03	1	Plate-Center, Frame
32	95-7394	1	Brake Shaft ASM
33	322-5	1	Screw-HH
34	3290-357	2	Nut-HHF
35	3220-16	1	Nut-Jam, LH
36	68-3841	1	Joint-Ball, LH Threaded
37	28-0540	1	Bolt-Shoulder





## Hydraulic Brake Assembly

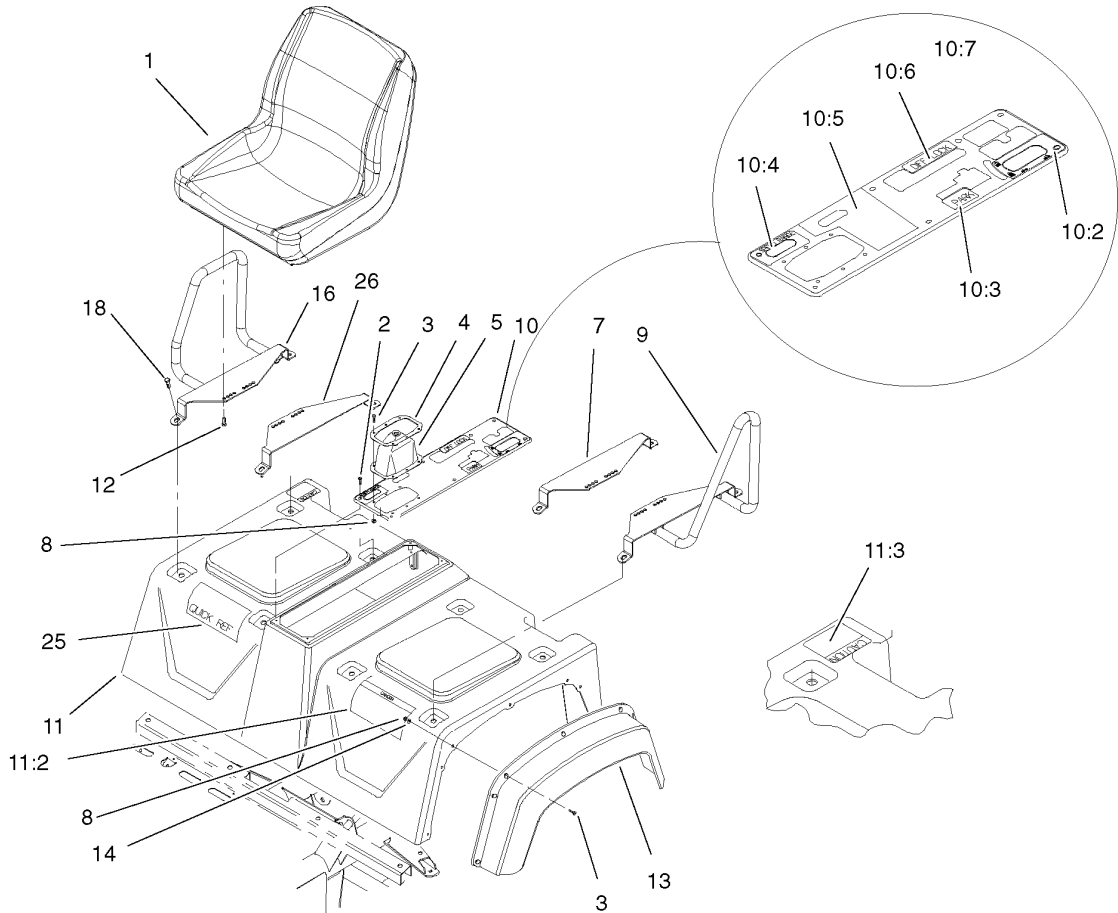
Ref	Part No.	Qty.	Description
1	94-3820	1	Tube-Brake, Front
2	87-7660	10	Clamp-Tube
3	3296-42	5	Nut-Lock, NI
4	3256-22	5	Washer-Flat
5	93-7123	2	Front Brake Hose ASM
6	87-3580	2	Clip-Retainer
7	93-7085	1	Front Brake Tube ASM
8	322-2	1	Screw-HH
9	87-3560	1	Tee
10	94-3819	1	Tube-Brake, Rear
11	87-3570	4	Union
12	94-3842	1	Rear Brake Tube ASM
13	93-7082	1	LH Front Brake Tube ASM
14	32128-20	1	Nut-HF
15	93-7081	1	RH Front Brake Tube ASM
16	321-9	4	Screw-HH
17	321-4	1	Screw-HH
18	2412-89	1	Clamp
20	94-3814	1	Tube-Brake, Front
21	94-3815	1	Tube-Brake, Rear
22	321-9	1	Screw-HH
23	3256-22	1	Washer-Flat

## Clutch Linkage Assembly

Ref	Part No.	Qty.	Description
1	33114-020	4	Screw-HH
2	2411-33	1	Balljoint-RH (W / Grommet)
3	3296-4	1	Nut-Lock
4	87-5290	1	Shaft-Release
5	87-1920	2	Seal-Oil
6	87-3770	2	Bushing-Housing, Bell
7	93-7121	1	Housing-Bell
8	87-1910	2	Pin-Dowel
9	87-5360	1	Paddle-Clutch, Switch
10	3296-29	1	Nut-Lock, NI
11	3218-20	2	Nut-Jam
12	87-5350	1	Bracket-Clutch, Switch
13	87-5490	1	Switch-Clutch
13:1	3218-20	2	Nut-Jam
14	302-5	1	Fitting-Grease
15	33114-040	9	Screw-HH
16	32121-7	1	Pin-Roll, Slotted
17	87-5300	1	Fork-Clutch
18	32121-24	2	Pin-Spring
19	87-5320	1	Release-Guide
20	87-2100	1	Bearing-Out, Throw
21	42-9850	12	Washer-Lock, Spring
22	33114-025	3	Screw-HH
23	240-5	1	Grommet

Ref	Part No.	Qty.	Description
24	87-8471	1	Bracket-Clutch
25	87-8460	1	Bumper-Rubber
26	283-75	1	Pin-Clevis
27	99-1201	1	Cable-Clutch
28	3272-10	1	Pin-Cotter
29	256-156	2	Bushing-Flange
30	99-1199-03	1	Clutch Pedal ASM
31	32120-47	2	Ring-Retaining, External
32	32128-33	1	Nut-HF
33	2412-89	1	Clamp
34	321-4	1	Screw-HH
35	99-1202	1	Rod-End

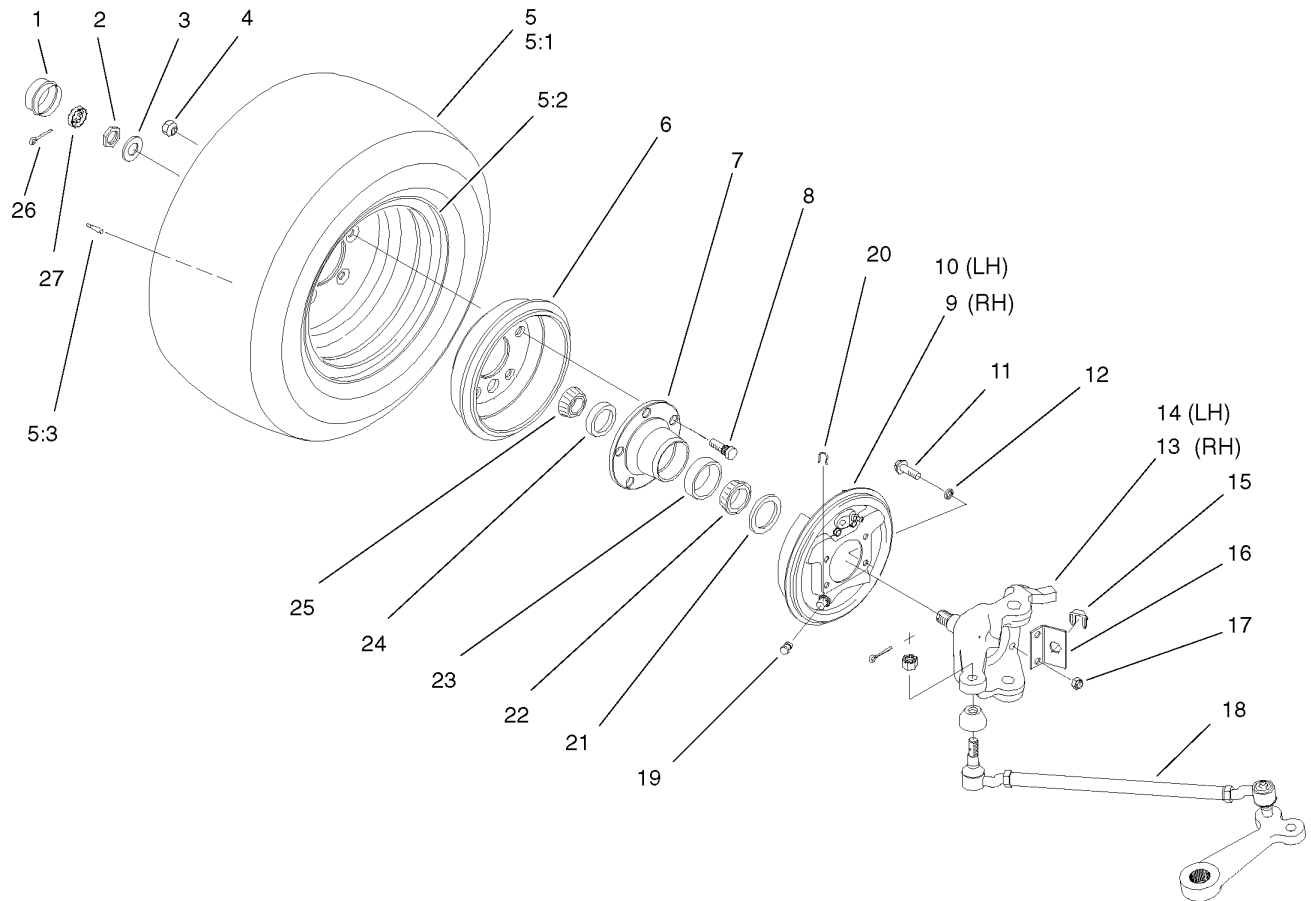


## Shroud and Seat Assembly

Ref	Part No.	Qty.	Description
1	99-7281	2	Seat
2	32144-52	6	Screw-PPH
3	3250-13	20	Screw-PPH
4	87-3760-03	1	Plate-Boot, Shift
5	87-8620	1	Shift Boot ASM
7	105-1704-03	1	Strap-Seat Pad, RH
8	3296-2	20	Nut-Lock
9	105-1710	1	LH Seat Strap ASM
10	87-8080	1	Console Cover ASM
10:2	87-6010	1	Decal-Dump Hydraulic
10:3	87-6020	1	Decal-Brake, Parking
10:4	87-5960	1	Decal-Range, Axle
10:5	87-5970	1	Decal-PTO
10:6	87-6000	1	Decal-Differential Lock
10:7	92-2609	1	Decal-Hydraulics, Remote
11	87-7070	1	Front Shroud ASM
11:2	87-5920	1	Decal-Instructions, Operating
11:3	87-5930	1	Decal-Caution, Fuel
12	33114-016	8	Screw-HH
13	87-9480	2	Fender-Front
14	3256-61	14	Washer-Flat
16	105-1706	1	RH Seat Strap ASM
18	3234-17	8	Screw-HHF
25	93-8990	1	Decal-Quick Reference

Ref	Part No.	Qty.	Description
26	105-1703-03	1	Mount-Seat, LH

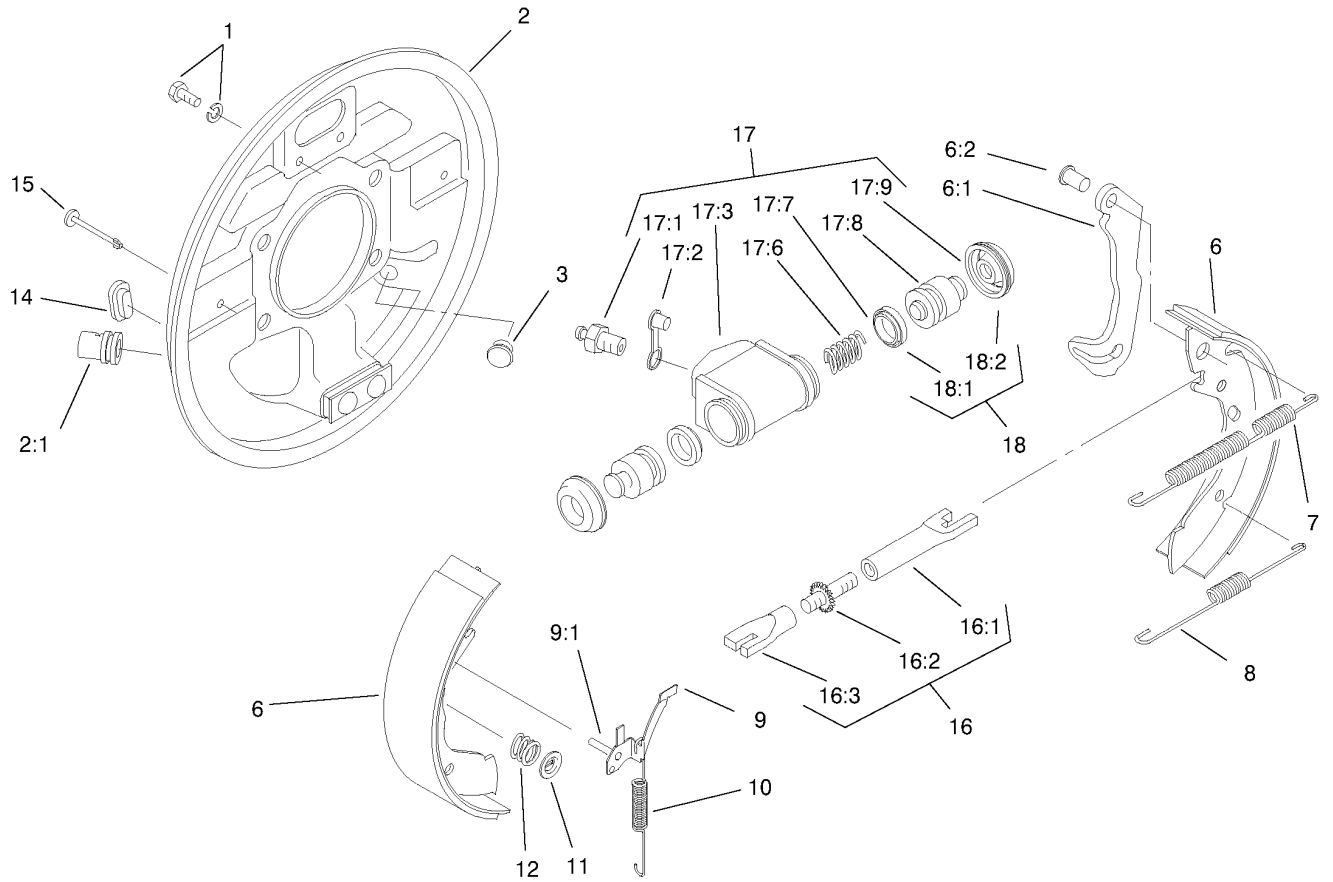




## Front Wheel Assembly

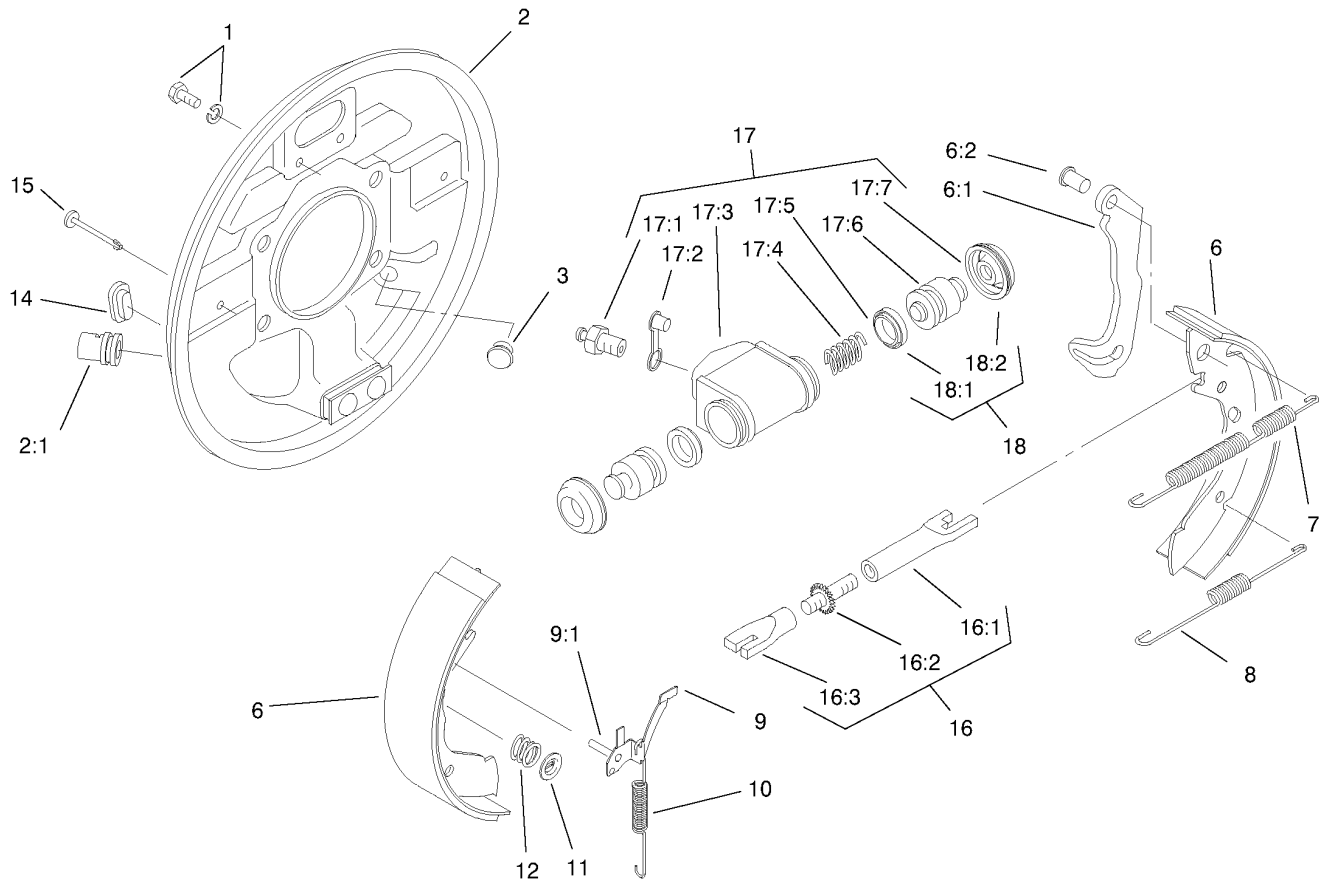
Ref	Part No.	Qty.	Description
1	241-119	2	Cap-Dust
2	3220-7	2	Nut-Jam
3	93-0309	2	Washer-Tab
4	23-7270	10	Nut-Wheel
5		2	Tire And Wheel ASM
5:1	94-5261	1	Tire-Front
5:2	87-5720	1	Front Rim ASM
5:3	232-27	1	Stem-Valve
6	87-0270	2	Drum-Brake
7	87-5560	2	Hub-Front
8	87-8730	10	Stud-Drive, Type
9	87-3010	1	RH Brake ASM
10	87-3020	1	LH Brake ASM
11	323-8	8	Screw-HH
12	3253-21	8	Washer-Lock
13	87-9430-03	1	Spindle-Sp Mask, RH
14	87-9440-03	1	Spindle-Sp Mask, LH
15	87-3580	2	Clip-Retainer
16	87-2820	2	Bracket-Spindle, Brake Hose
17	3296-39	8	Nut-Lock, NI
18		2	Tie Rod ASM
19	87-3450	2	Plug-Plate Brake, Front
20	87-3310	2	Clip-Cable, Brake
21	87-3590	2	Seal-Bearing

Ref	Part No.	Qty.	Description
22	254-106	2	Cone-Bearing, Tapered
23	254-107	2	Cup-Bearing, Tapered
24	254-72	2	Bearing-Cup, Tapered
25	254-94	2	Bearing-Cone, Tapered
26	3272-12	2	Pin-Cotter
27	93-0307	2	Nut-Lock, Retainer



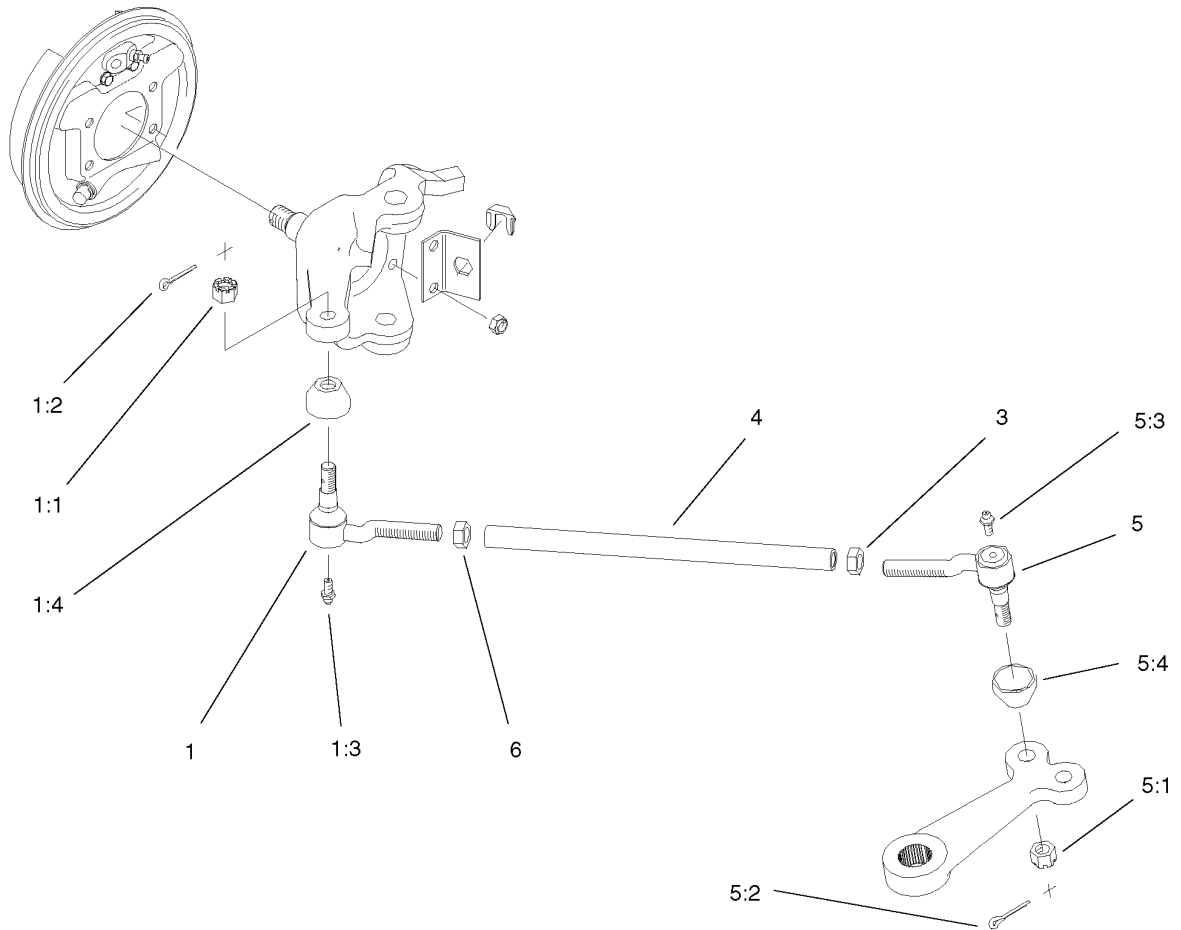
## RH Front Brake Assembly No. 87-3010

Ref	Part No.	Qty.	Description
1	92-4135	2	Bolt-Set
2	92-4116	1	RH Backplate ASM
3	92-4125	1	Plug
6	92-4120	1	Kit-Shoe, Lined
②6:1		1	Lever-Operating
7	92-4127	1	Spring-Shoe Ret, Upper RH
8	92-4128	1	Spring-Shoe Ret, Lower
9	92-4124	1	RH Pawl Lever ASM
10	92-4130	1	Spring-Adjustor, RH
11	92-4131	2	Washer-Hold Down, Shoe
12	92-4132	2	Spring-Hold Down, Shoe
14	92-4134	1	Plug-Inspection
15	92-4133	2	Pin-Hold Down, Shoe
16	92-4122	1	RH Adjustor ASM
②16:1		1	Pushrod-Female
17	92-4118	1	Wheel Cylinder ASM
17:1	92-4113	1	Screw-Bleed
17:2	92-4114	1	Cap-Screw, Bleed
②17:6		1	Spring
②17:7		2	Seal -L- Type
18	92-4119	1	Seal Kit
②18:1		2	Seal -L- Type

## LH Front Brake Assembly No. 87-3020

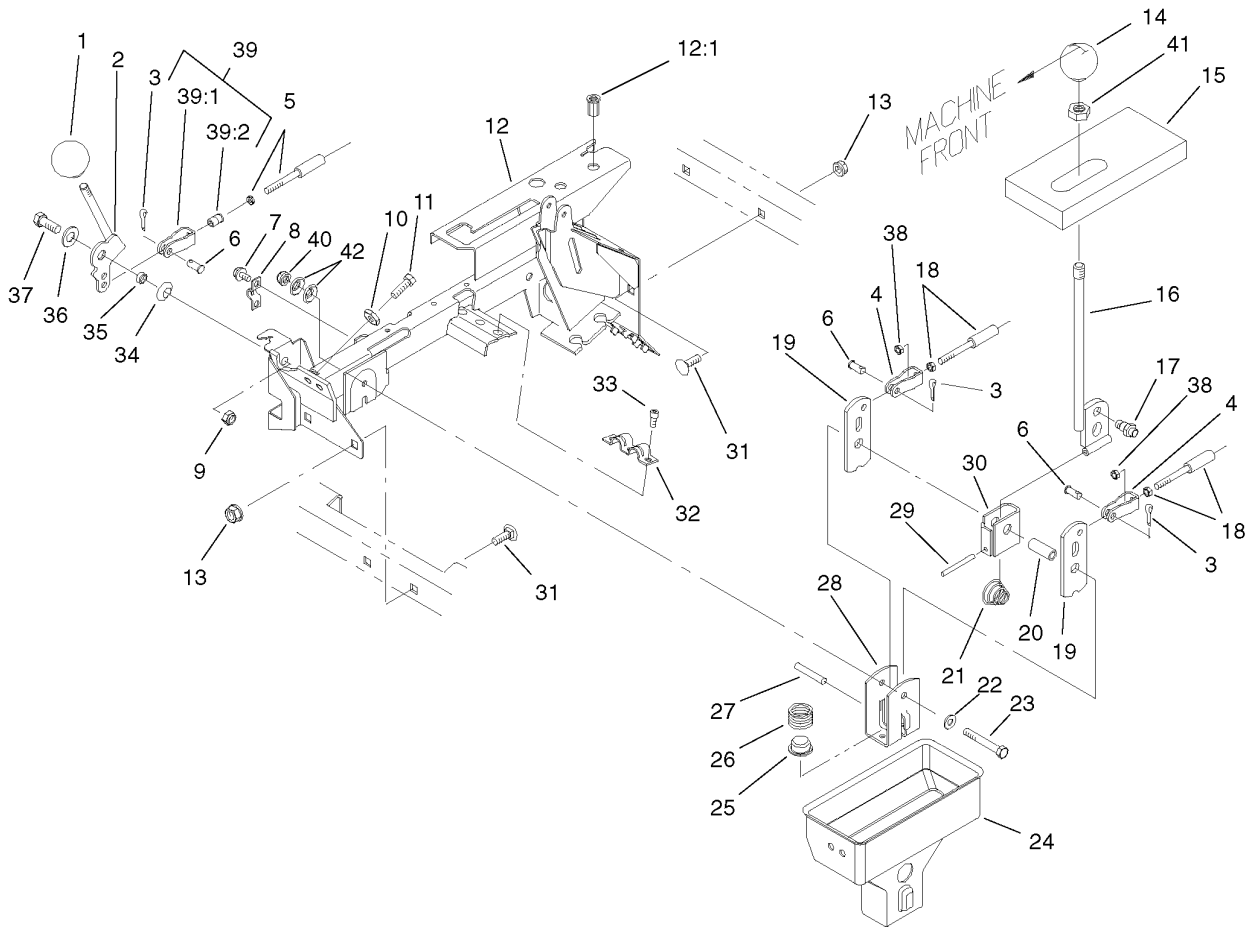
Ref	Part No.	Qty.	Description
1	92-4135	2	Bolt-Set
2	92-4115	1	LH Backplate ASM
3	92-4125	1	Plug
6	92-4120	1	Kit-Shoe, Lined
②6:1		1	Lever-Operating
7	92-4126	1	Spring-Shoe Ret, Upper LH
8	92-4128	1	Spring-Shoe Ret, Lower
9	92-4123	1	LH Pawl Lever ASM
10	92-4129	1	Spring-Adjustor, LH
11	92-4131	2	Washer-Hold Down, Shoe
12	92-4132	2	Spring-Hold Down, Shoe
14	92-4134	1	Plug-Inspection
15	92-4133	2	Pin-Hold Down, Shoe
16	92-4121	1	LH Adjustor ASM
②16:1		1	Pushrod-Female
17	92-4117	1	Wheel Cylinder ASM
17:1	92-4113	1	Screw-Bleed
17:2	92-4114	1	Cap-Screw, Bleed
②17:4		1	Spring
②17:5		2	Seal -L- Type
18	92-4119	1	Seal Kit
②18:1		2	Seal -L- Type

## Tie Rod Assembly

Ref	Part No.	Qty.	Description
1	87-1480	1	RH Tie Rod End ASM
1:1	32136-3	1	Nut-Hex Slotted
1:2	3272-12	1	Pin-Cotter
1:3	302-5	1	Fitting-Grease
1:4	87-5340	1	Tie Rod Seal Kit
3	3218-21	1	Nut-Jam
4	87-2410-03	1	Tie Rod-Steering
5	87-1470	1	LH Tie Rod End ASM
5:1	32136-3	1	Nut-Hex Slotted
5:2	3272-12	1	Pin-Cotter
5:3	302-5	1	Fitting-Grease
5:4	87-5340	1	Tie Rod Seal Kit
6	3220-11	1	Nut-Jam

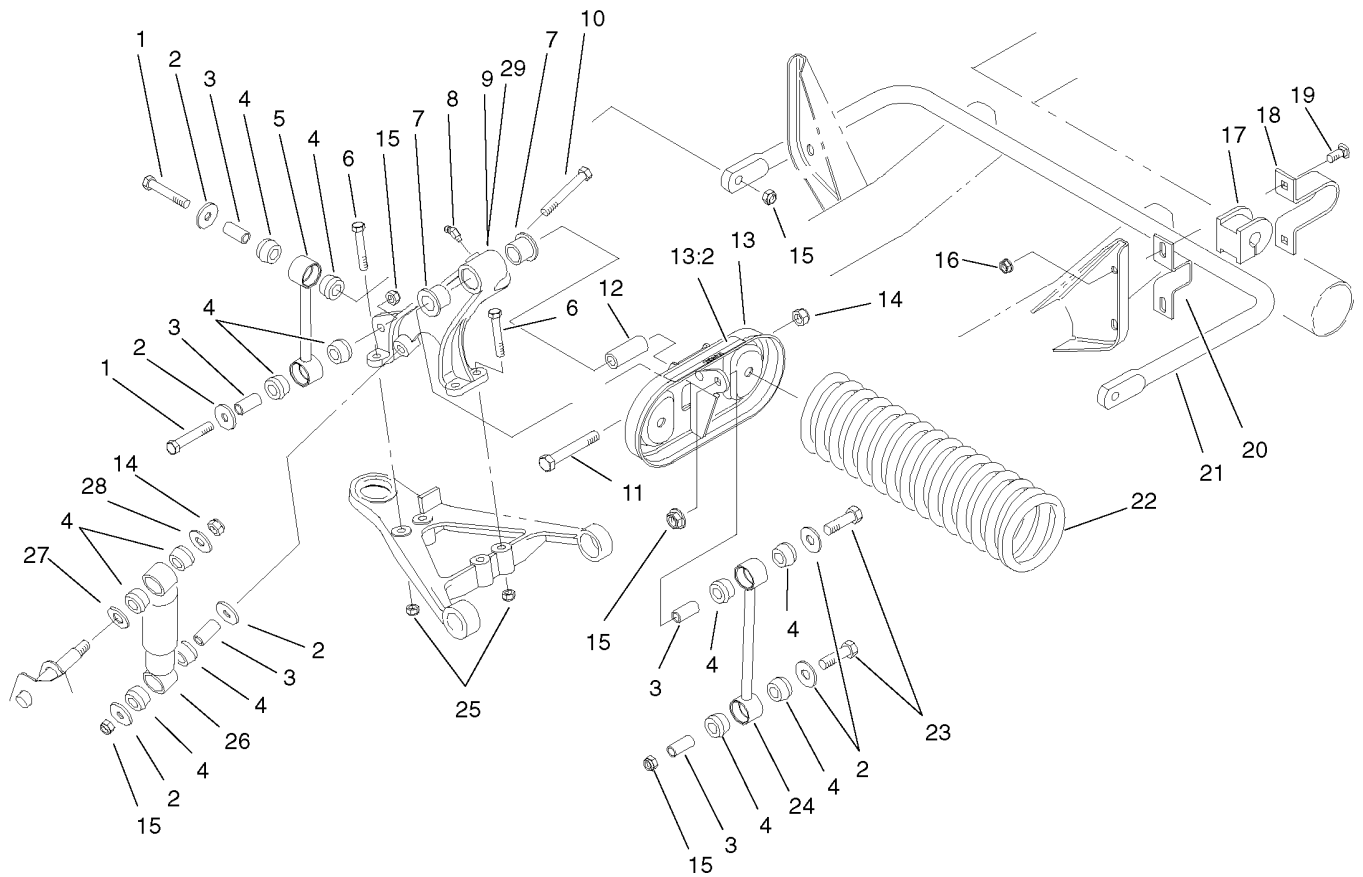
--	--	--	--



## Console Assembly

Ref	Part No.	Qty.	Description
1	233-37	1	Knob
2	87-4350	1	Hi/lo Lever ASM
3	3272-6	3	Pin-Cotter
4	87-2310	2	Clevis-Cable
5	87-4420	1	Cable-Hi/lo
6	283-62	3	Pin-Clevis
7	32144-4	2	Screw-HWH
8	87-4340	1	Clamp-Cable
9	3296-39	1	Nut-Lock, NI
10	3220-3	2	Nut-Jam
11	3211-8	2	Screw-HH
12	94-5202	1	Lever Support ASM
12:1	32148-7	2	Insert-Nut
13	3290-357	4	Nut-HHF
14	87-6720	1	Knob-Shift
15	87-6570	1	Seal-Boot, Lower
16	87-2040	1	Shift Lever ASM
17	87-3650	1	Pin-Shift
18	87-4260	2	Cable-Selector, Gear
19	87-3540	2	Link-Shift
20	87-2520	1	Tube-Pivot
21	87-2900	1	Spring-Compression
22	87-8640	1	Washer-Flat
23	322-12	1	Screw-HH

Ref	Part No.	Qty.	Description
24	87-2260	1	Boot-Shift, Lower
25	87-3530	1	Button-Shifter
26	87-3660	1	Spring-Compression
27	3290-507	1	Pin-Dowel
28	87-3520	1	Clevis
29	32121-48	1	Pin-Spring
30	87-6040	1	Bracket-Shifter
31	3231-21	4	Screw-CARR
32	87-4960	1	Clamp-Cable
33	65-5220	3	Screw-Forming, Thread
34	3290-221	1	Washer-Spring
35	76-9100	1	Spacer-Speed, Reel
36	49-9150	1	Washer-Pivot
37	323-6	1	Screw-HH
38	3220-1	2	Nut-Jam
39	87-7160	1	Cable Clevis ASM
39:1	87-2310	1	Clevis-Cable
39:2	32148-15	1	Nut-Insert
40	3296-58	1	Nut-Lock NI
41	3218-18	1	Nut-Jam
42	3290-456	2	Washer-Belleveille

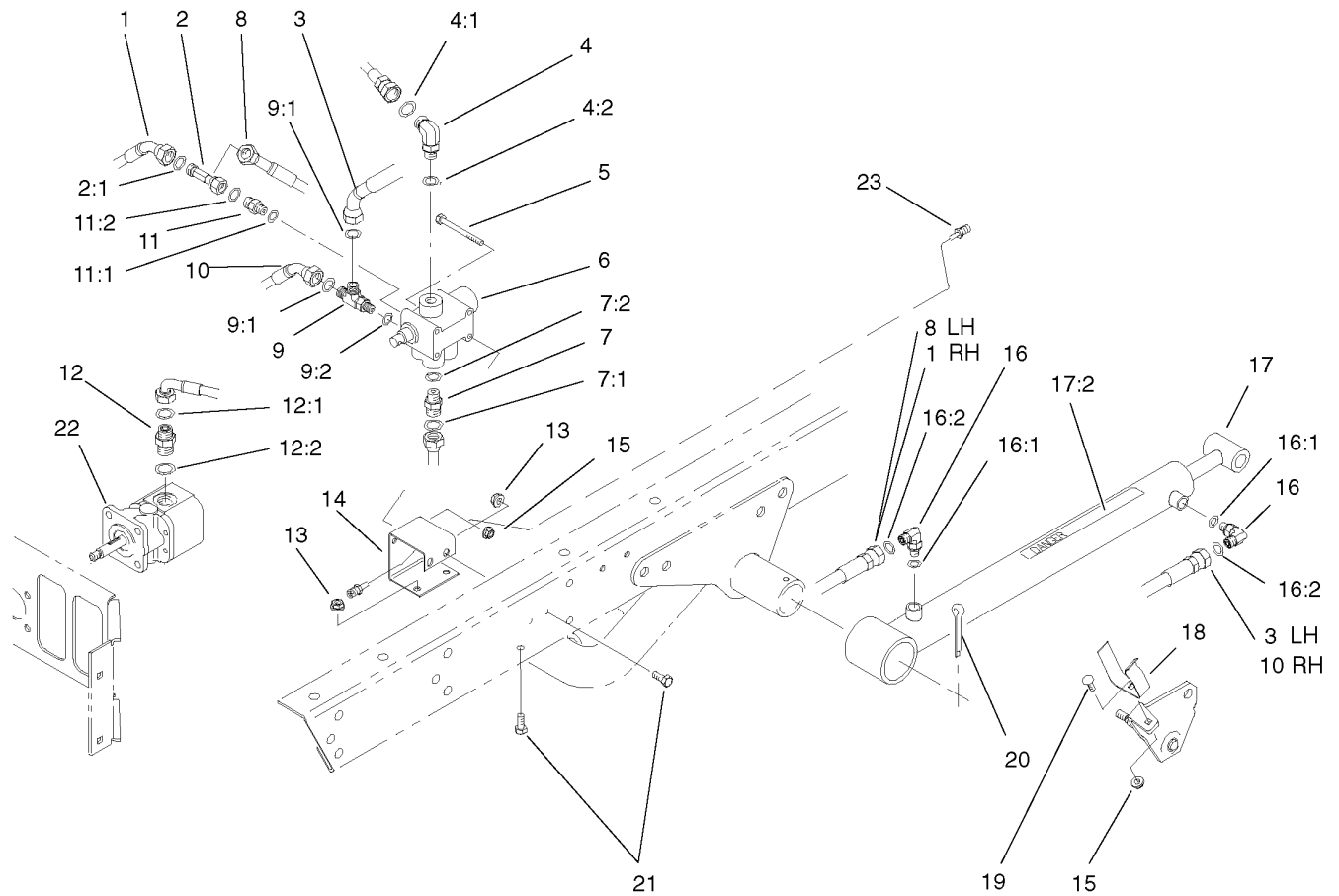


## Front Suspension Assembly

Ref	Part No.	Qty.	Description
1	324-10	4	Screw-HH
2	87-5330	12	Washer
3	87-3600	10	Spacer-Absorber, Shock
4	87-3920	24	Bushing
5	87-3860-03	2	Anti-Sway Bar Link ASM
6	323-12	8	Screw-HH
7	33-3090	4	Bushing
8	302-11	2	Fitting-Lube, 45 DEG
9	87-0150-03	1	Tower-Control Arm, RH
10	324-13	2	Screw-HH
11	325-13	2	Screw-HH
12	87-2500	2	Sleeve-Spring, Pivot
13	105-7958	2	Spring Cradle ASM
13:2	93-9879	1	Decal-Warning
14	3296-23	4	Nut-Lock, NI
15	3296-48	10	Nut-Lock, NI
16	3290-357	4	Nut-HHF
17	87-3910	2	Bushing-Rubber
18	87-4010-03	2	Clamps-Bar, Sway
19	3231-25	4	Screw-CARR
20	87-3890-03	2	Bracket-Bar, Sway
21	87-3850-03	1	Bar-Sway, Anti
22	105-4183-01	2	Spring-Compression
23	324-9	4	Screw-HH

Ref	Part No.	Qty.	Description
24	87-2480-03	2	Stabilizer Link ASM
25	3296-39	8	Nut-Lock, NI
26	87-3110	2	Absorber-Shock
27	3256-27	2	Washer-Flat
28	3256-6	2	Washer-Flat
29	87-0160-03	1	Tower-Control Arm, LH

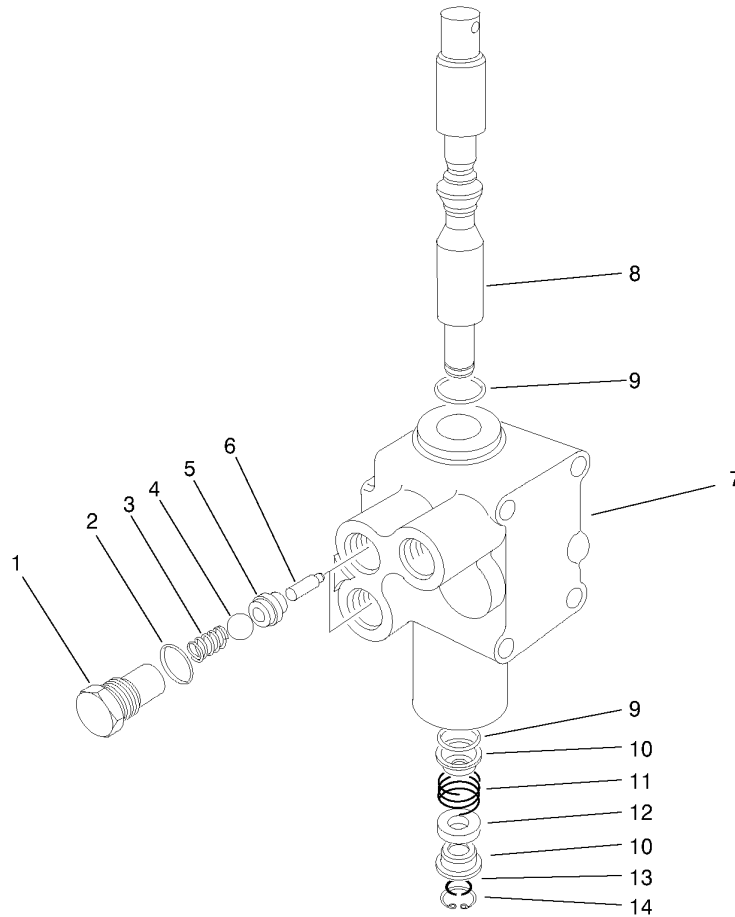




## Lift Valve and Cylinder Assembly

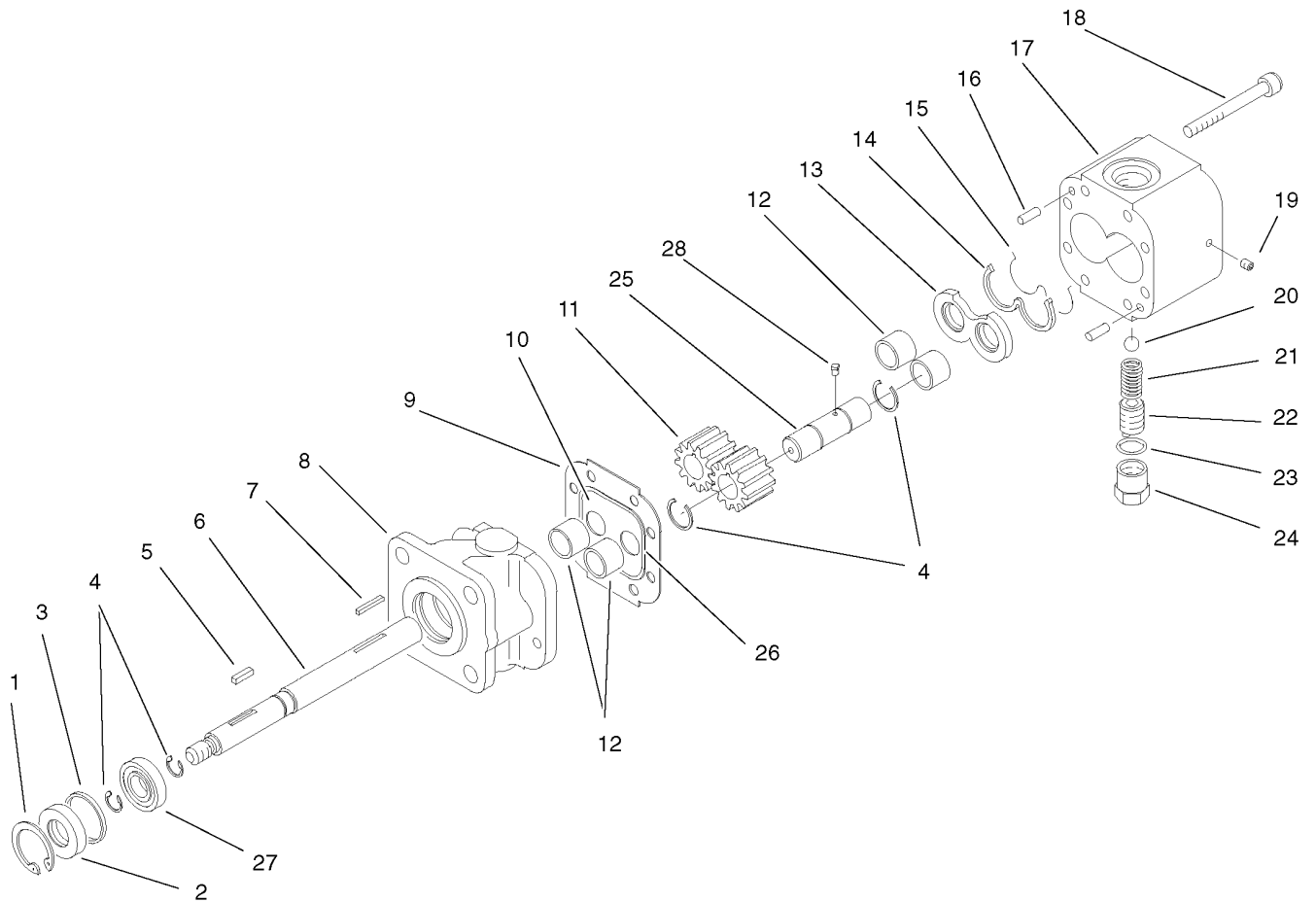
Ref	Part No.	Qty.	Description
1	87-4900	1	Hose ASM
2	340-151	1	Fitting
2:1	237-75	3	O-Ring
3	92-2697	1	Hose ASM
4	340-77	1	Fitting-Hyd, 90 DEG
4:1	237-22	1	O-Ring
4:2	237-42	1	O-Ring
5	321-14	2	Screw-HH
6	43-1950-03	1	Valve-HYD
7	340-2	1	Fitting-Hyd, Straight
7:1	237-22	1	O-Ring
7:2	237-42	1	O-Ring
8	87-4880	1	Hose ASM
9	340-140	1	Adapter-Tee
9:1	237-21	2	O-Ring
9:2	237-78	1	O-Ring
10	87-4910	1	Hose ASM
11	340-92	1	Fitting-Hyd, Straight
11:1	237-78	1	O-Ring
11:2	237-21	1	O-Ring
12	340-3	1	Adapter
12:1	237-22	1	O-Ring
12:2	237-79	1	O-Ring
13	32128-20	4	Nut-HF

Ref	Part No.	Qty.	Description
14	87-4520-03	1	Bracket-Dump Valve
15	32128-33	4	Nut-HF
16	340-132	4	Fitting-Hyd, 90 DEG
16:1	237-78	1	O-Ring
16:2	237-21	1	O-Ring
17	105-7957	2	Hyd Lift Cylinder ASM
17:2	93-9852	1	Decal-Warning
18	87-3720	2	Retainer-Cylinder
19	3229-1	2	Screw-CARR
20	3272-37	2	Pin-Cotter
21	322-3	4	Screw-HH
22	87-5700	1	Gear-HYD Pump
23	94-3844	1	LH Rear Brake Tube ASM



### Hydraulic Valve Assembly No. 43-1950-03

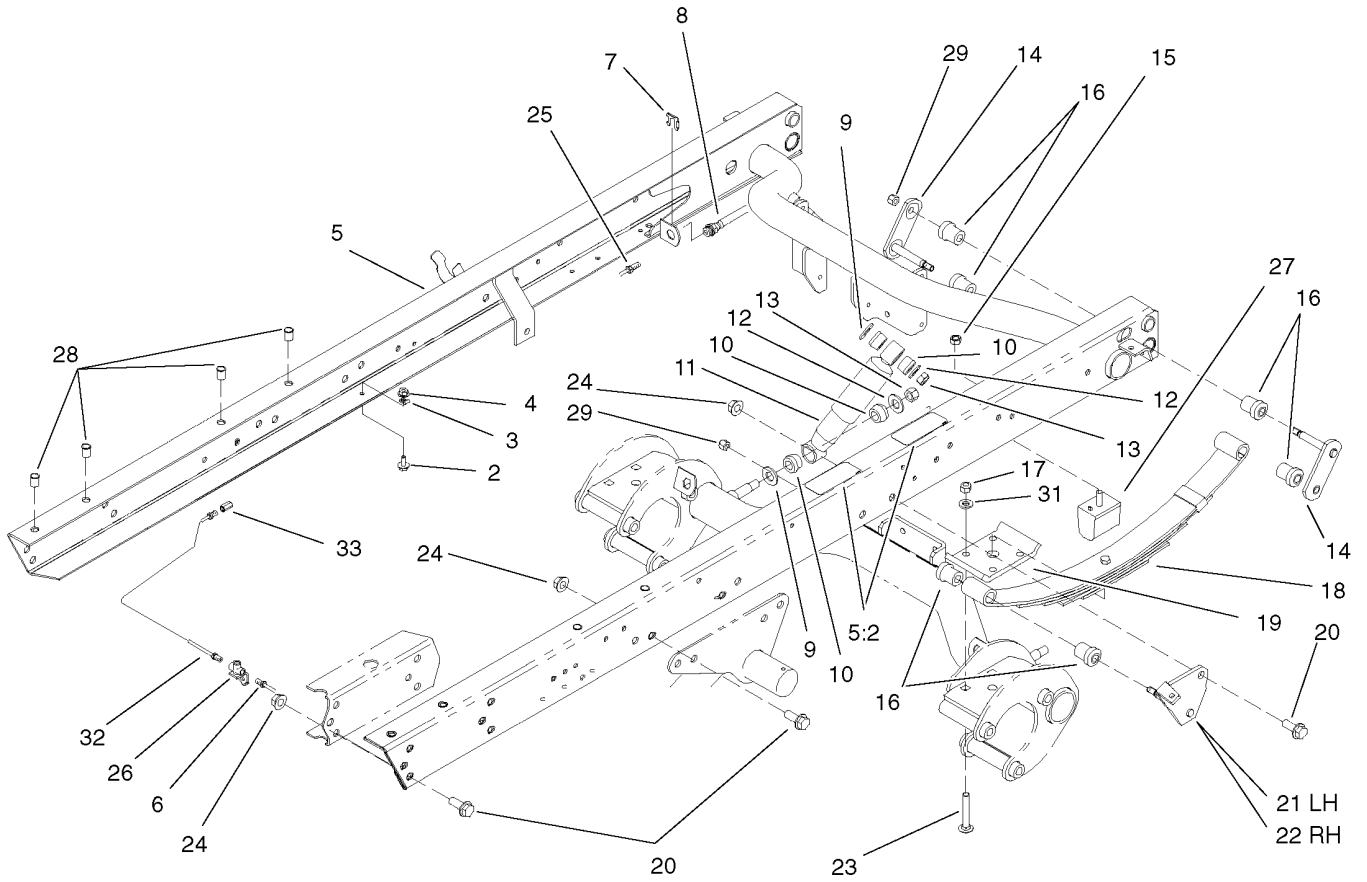
Ref	Part No.	Qty.	Description
1	22-8330	2	Plug
2	237-42	2	O-Ring
3	22-8340	2	Spring
4	22-8350	2	Ball
5	22-8370	2	Seat-Valve
6	22-8360	2	Pin
8	22-8420	1	Spool
9	22-8500	2	O-Ring
10	22-8380	2	Retainer
11	22-8410	1	Spring
12	23-3030	1	Spacer
13	22-8480	1	Ring-Snap
14	22-8490	1	Ring-Snap



## Hydraulic Gear Pump Assembly No. 87-5700

Ref	Part No.	Qty.	Description
1	32151-41	1	Ring-Snap
2	92-2195	1	Seal-Oil
3	92-2186	1	Spacer
4	92-2178	4	Ring-Crescent
5	92-2179	1	Key-Square
6	92-2189	1	Shaft-Drive
7	92-2177	1	Pin-Shear
8	92-2188	1	Stator
9	92-2182	1	Plate-Seal
10	92-2183	1	Plate-Wear
11	92-2175	2	Gear
12	92-2192	4	Bearing
13	92-2181	1	Plate-Pressure
14	92-2197	1	Seal-Back Up, Pressure Plate
15	92-2196	1	Seal-Plate, Pressure
16	92-2176	2	Pin-Shear
17	92-2187	1	Housing-Gear, End
18	92-2173	4	Screw
19	92-2185	1	Plug
20	92-2193	1	Ball-Steel
21	92-2194	1	Spring
22	92-2174	1	Screw-Adjusting
23	92-2180	1	Gasket-Copper
24	92-2184	1	Cap-Hex, Relief Valve

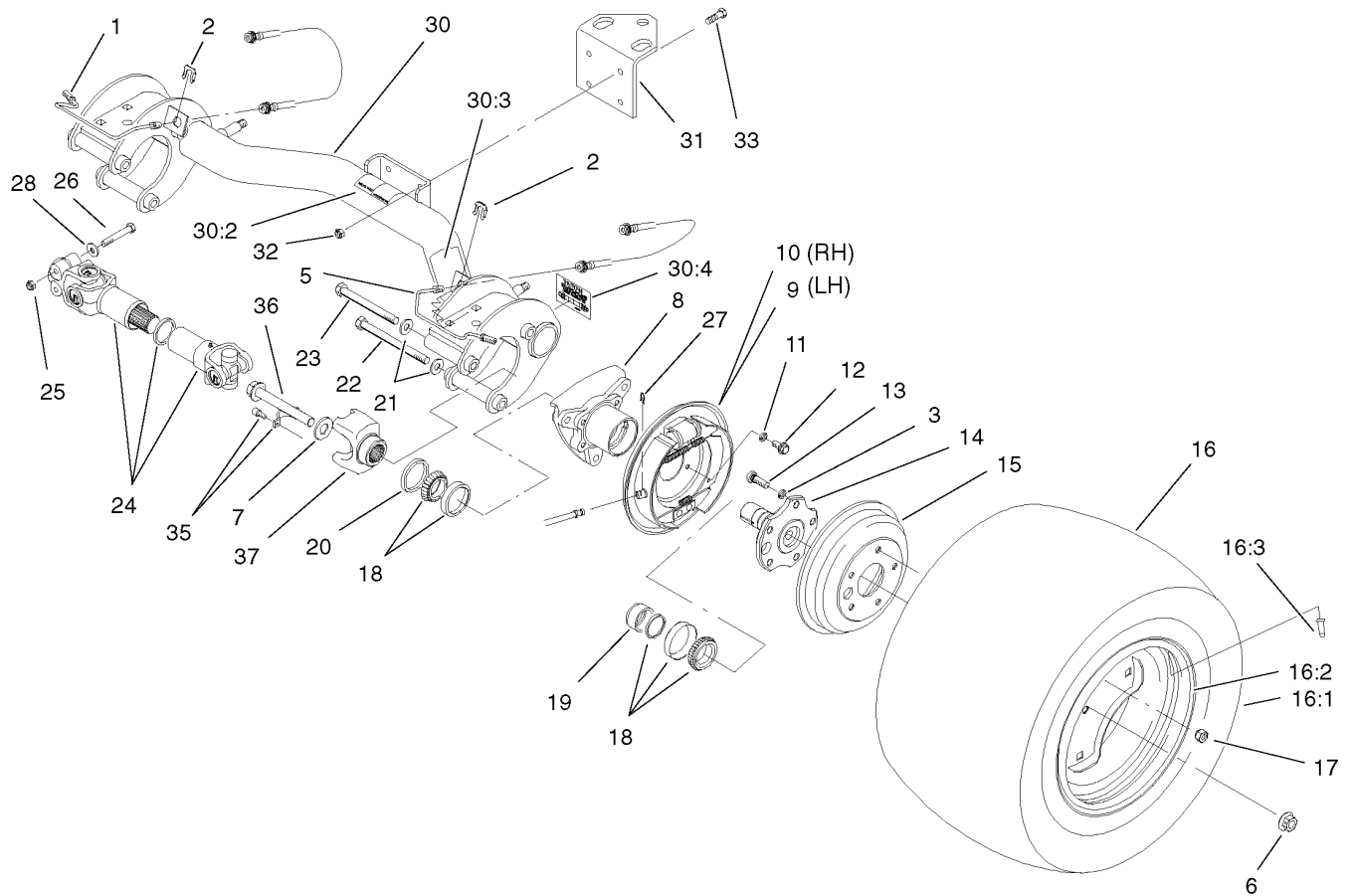
Ref	Part No.	Qty.	Description
25	92-2190	1	Shaft-Idler
26	92-2198	1	Seal-Plate, Wear
27	92-2191	1	Bearing-Ball
28	92-2199	1	Key-Ball



## Rear Frame Assembly

Ref	Part No.	Qty.	Description
2	3234-4	3	Screw-HHF
3	2412-149	4	Clamp-Hose
4	32128-33	4	Nut-HF
5	105-7959	1	Frame Channel ASM
5:2	93-8071	2	Decal-Surface, Hot
6	94-3843	1	LH Rear Brake Tube ASM
7	87-3580	2	Clip-Retainer
8	87-4100	2	Hose-Brake, Rear
9	3256-27	4	Washer-Flat
10	87-3920	8	Bushing
11	87-3110	2	Absorber-Shock
12	3256-6	4	Washer-Flat
13	3296-23	4	Nut-Lock, NI
14	87-3980	4	Shackle ASM
15	48-9520	2	Nut
16	87-4760	12	Bushing-Rubber
17	3296-76	8	Nut-Lock, NI
18	87-1490	2	Spring-Leaf, Rear
19	87-7470-03	2	Plate-Spring, Clamp
20	3234-38	24	Screw-HHF
21	87-3960	1	LH Spring Mount ASM
22	87-3940	1	RH Spring Mount ASM
23	3232-17	8	Screw-CARR
24	32128-23	24	Nut-HF

Ref	Part No.	Qty.	Description
25	94-3846	1	RH Rear Brake Tube ASM
26	87-3560	1	Tee
27	87-3470	2	Bumper-Axle, Rear
28	32148-9	8	Insert-Nut
29	3296-39	6	Nut-Lock, NI
31	87-7480	8	Washer
32	94-3845	1	RH Rear Brake Tube ASM
33	87-3570	2	Union

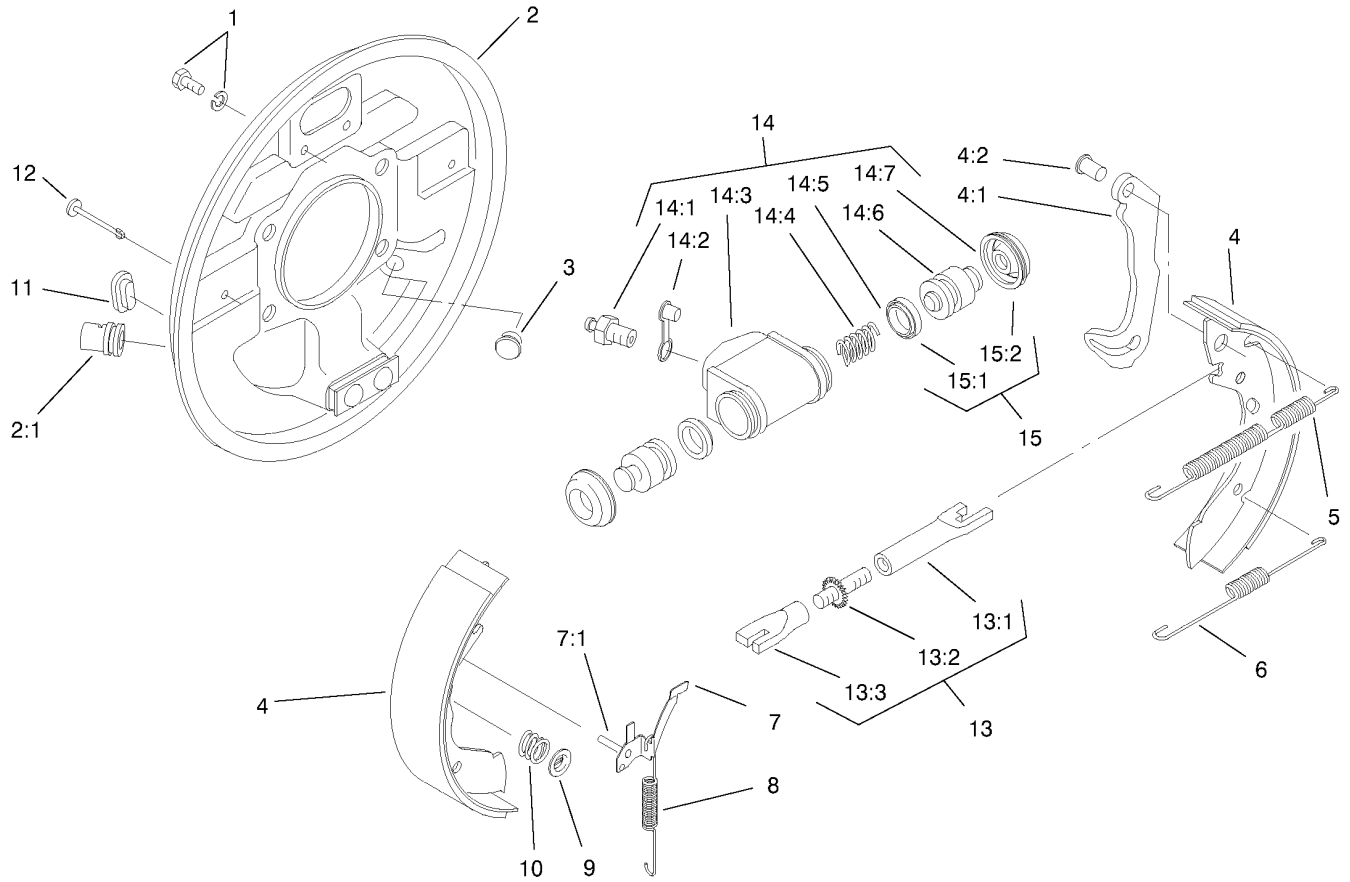


## Rear Axle Assembly

Ref	Part No.	Qty.	Description
1	87-4090	1	RH Rear Brake Tube ASM
2	87-3580	2	Clip-Retainer
3	3253-6	10	Washer-Lock
5	87-4080	1	LH Rear Brake Tube ASM
6	105-1764	2	Nut-Flange, Side Lock
7	104-9216	2	Washer-Hardened
8	87-2240-03	2	Housing-Axle
9	93-7126	1	LH Rear Brake ASM
10	93-7125	1	RH Rear Brake ASM
11	3253-21	8	Washer-Lock
12	323-6	8	Screw-HH
13	87-2080	10	Bolt-Hex, TAP
14	105-1717-03	2	Axle-Stub
15	93-7128	2	Drum-Brake
16		2	Tire And Wheel ASM
16:1	87-3290	1	Tire
16:2	87-3000	1	Wheel ASM
16:3	232-27	1	Stem-Valve
17	23-7270	10	Nut-Wheel
18	87-1970	2	Bearing
19	87-4060	2	Spacer-Bearing, Wheel
20	87-3590	2	Seal-Bearing
21	87-7270	6	Washer-Thrust
22	325-20	5	Screw-HH

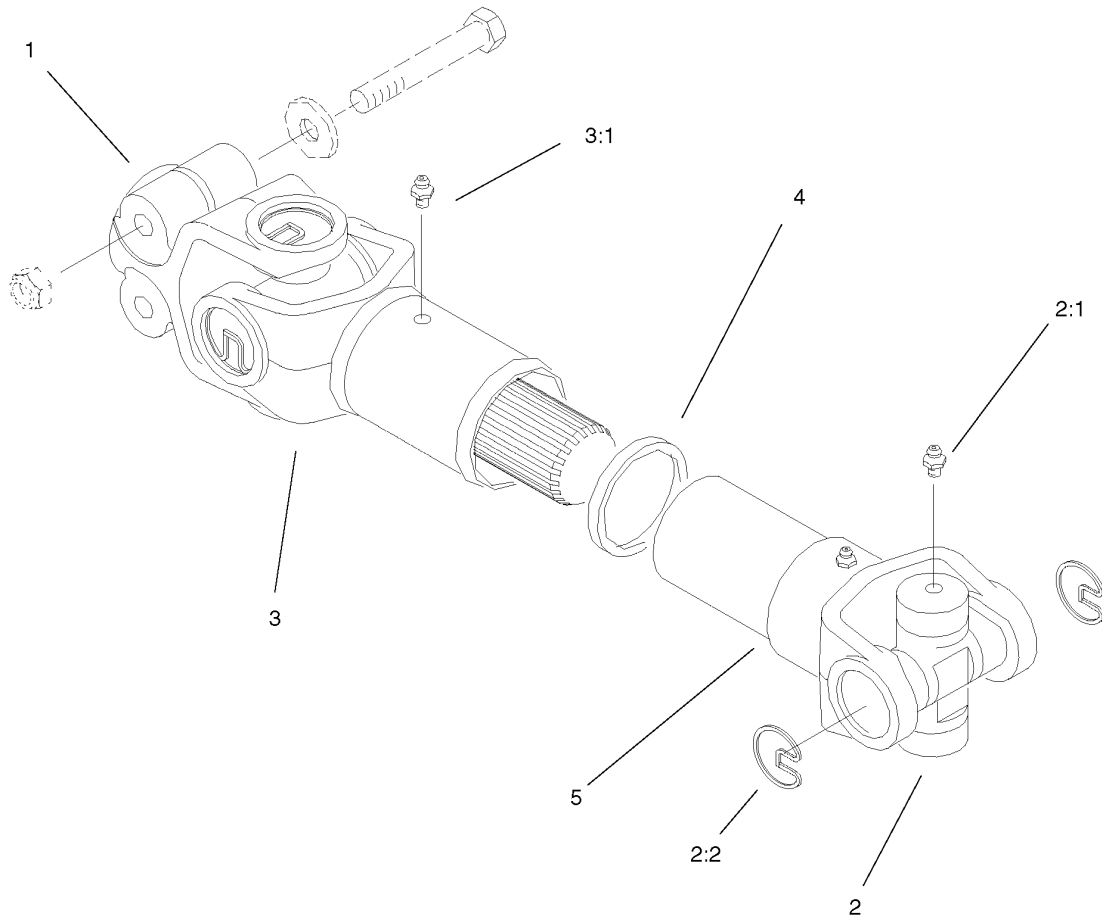
Ref	Part No.	Qty.	Description
23	325-19	1	Screw-HH
24	98-2918	2	Driveshaft ASM
25	32128-36	4	Nut-HF
26	98-2939	4	Screw-Cap
27	87-3310	2	Clip-Cable, Brake
28	80-6990	4	Washer-Hardened
30	105-7961	1	Rear Axle ASM
30:2	93-9442	1	Decal-Atf
30:3	93-9862	1	Decal-Danger
30:4	93-9449	2	Decal-Driveshaft
31	92-5951-03	1	Angle-Hitch
32	3296-39	4	Nut-Lock, NI
33	323-7	4	Screw-HH
35	92-4189	2	Strap Kit
36	105-1763	2	Screw-Hhfh
37	92-4190	2	Yoke





## RH Rear Brake Assembly No. 93-7125

Ref	Part No.	Qty.	Description
1	92-4135	2	Bolt-Set
2	92-4100	1	RH Backplate ASM
3	92-4146	1	Plunger ASM
4	92-4143	1	Lined Shoe Kit
④4:1		1	Lever-Operating
5	92-4148	1	Spring-Return, Shoe (Upper, Rh)
6	92-4149	1	Spring-Shoe Return, Lower
7	92-4124	1	RH Pawl Lever ASM
8	92-4151	1	Spring-Adjuster, RH
9	92-4131	2	Washer-Hold Down, Shoe
10	92-4152	2	Spring-Hold Down, Shoe
11	92-4134	1	Plug-Inspection
12	92-4133	2	Pin-Hold Down, Shoe
13	92-4145	1	RH Adjustor ASM
④13:1		1	Pushrod-Female
14	92-4141	1	RH Wheel Cylinder ASM
14:1	92-4137	1	Screw-Bleed
14:2	92-4114	1	Cap-Screw, Bleed
④14:4		1	Spring
④14:5		2	Seal -L- Type
15	92-4142	1	Seal Kit
④15:1		2	Seal -L- Type

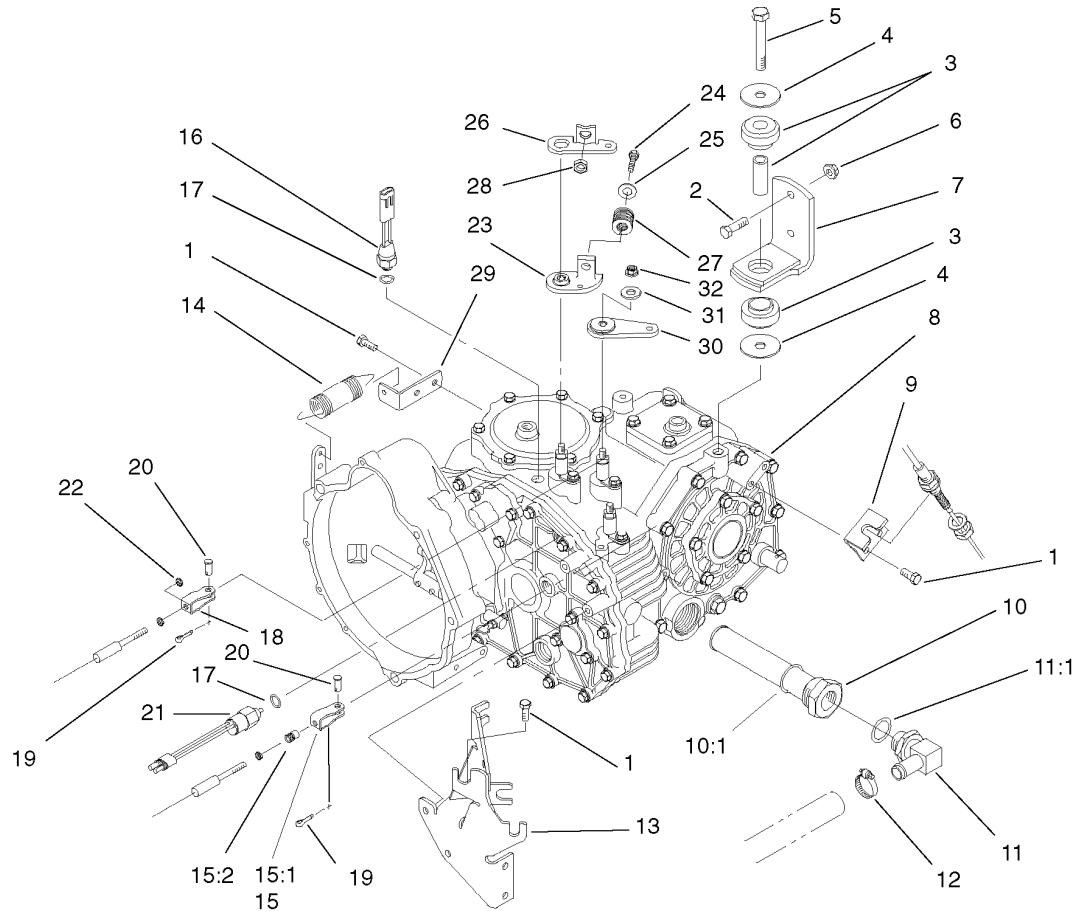



### Driveshaft Assembly No. 98-2918

Ref	Part No.	Qty.	Description
1	98-2940	1	Yoke
2	92-4187	2	Cross And Bearing Kit
2:1	302-58	2	Fitting-Grease
2:2	92-4188	2	Ring-Snap
3	92-4179	1	Yoke-Tube, Shaft And Seal
3:1	302-5	1	Fitting-Grease
4	92-4180	1	Seal
5	92-4182	1	Yoke And Hub

--	--	--	--



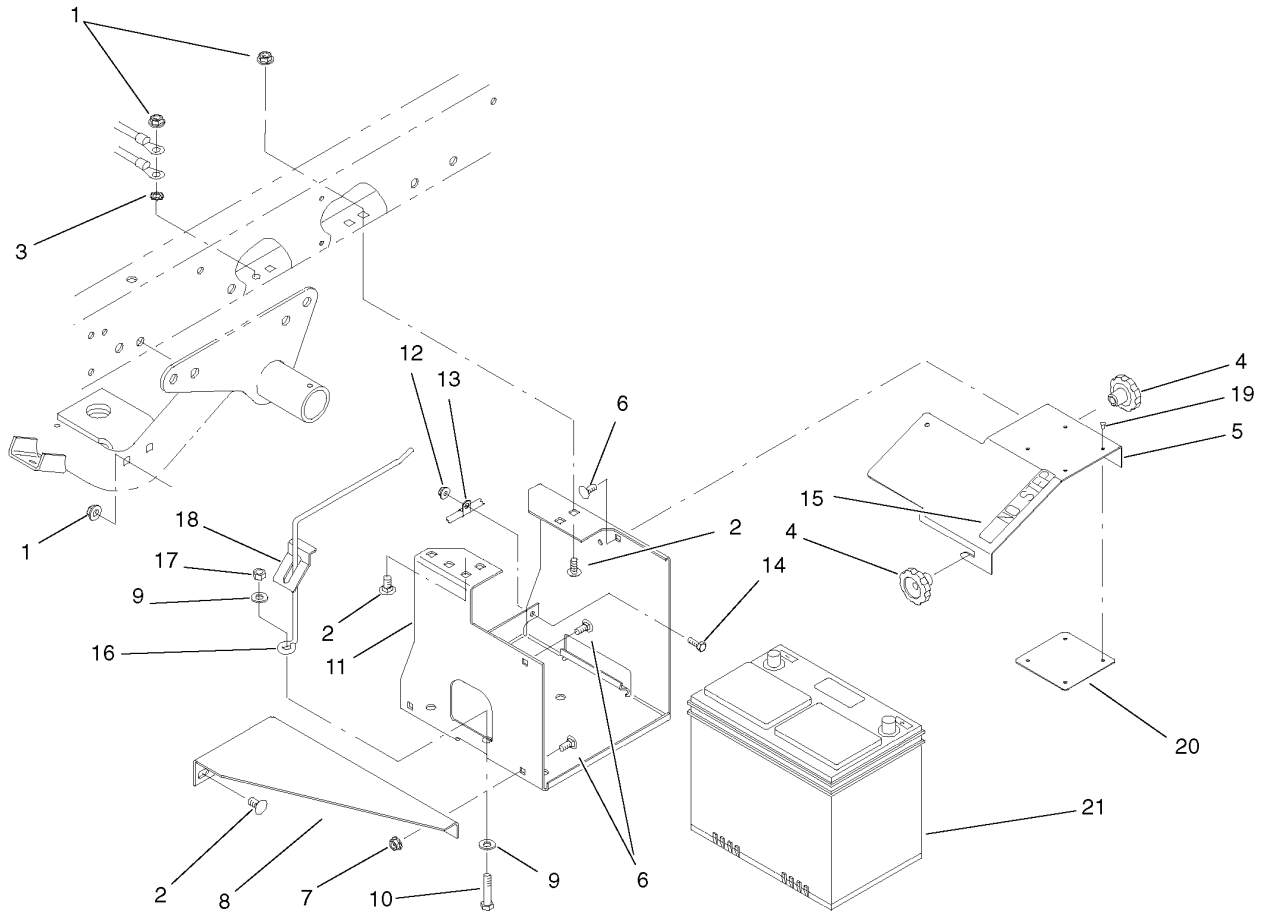


## Transaxle Assembly

Ref	Part No.	Qty.	Description
1	33114-020	7	Screw-HH
2	323-7	4	Screw-HH
3	87-4970	2	Engine Mount ASM
4	87-5100	4	Washer-Snubbing
5	3215-1	2	Screw-HH
6	3296-39	4	Nut-Lock, NI
7	87-5800-03	2	Transaxle Mount ASM
8	100-4463	1	Transaxle ASM
9	87-4470	1	Bracket-Lock, Differential
10	87-3990	1	Strainer-Transaxle
10:1	237-123	1	O-Ring
11	353-987	1	Fitting-Hyd, 90 DEG
11:1	237-81	1	O-Ring
12	2412-34	1	Clamp-Hose
13	87-4820-03	1	Cable Mount Bracket ASM
14	68-9950	1	Spring-Traction
15	87-7160	1	Cable Clevis ASM
15:1	87-2310	1	Clevis-Cable
15:2	32148-15	1	Nut-Insert
16	72-4310	1	Switch-Ball
17	237-30	2	O-Ring
18	87-2310	2	Clevis-Cable
19	3272-6	3	Pin-Cotter
20	283-62	3	Pin-Clevis

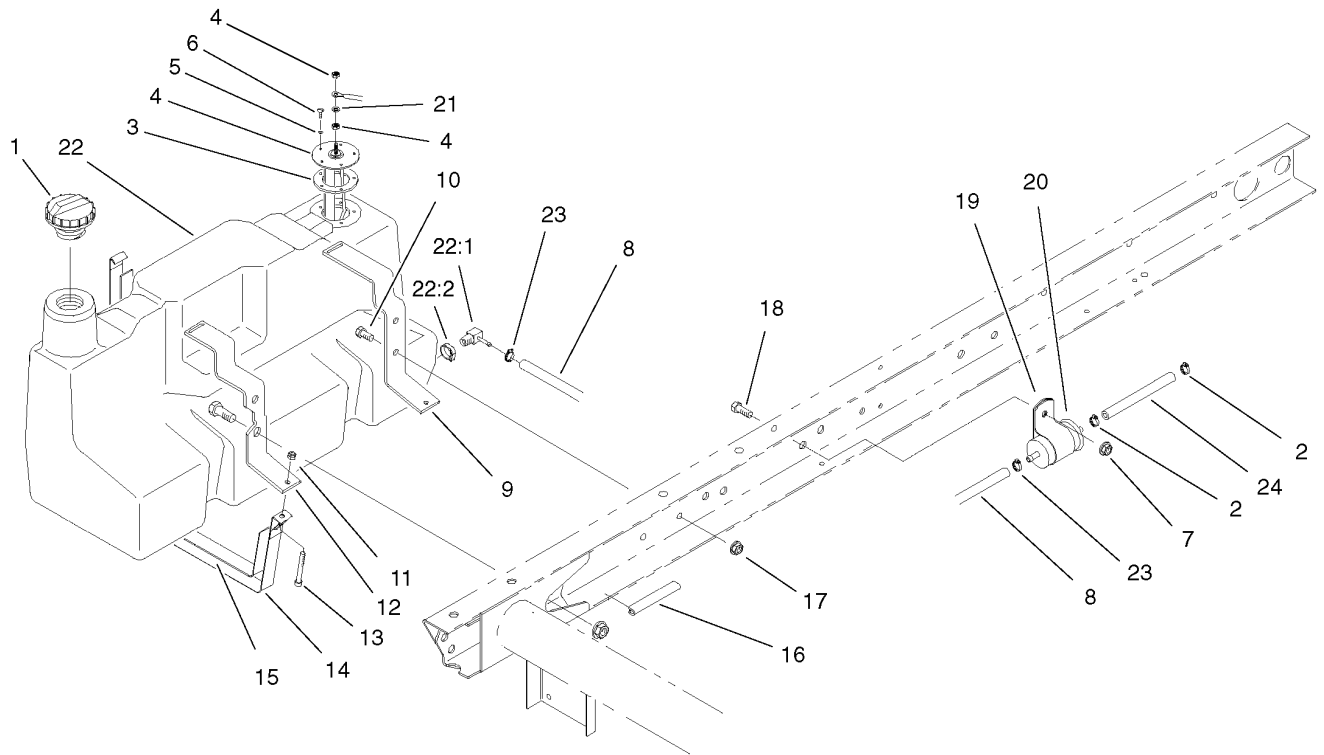
Ref	Part No.	Qty.	Description
21	87-6710	1	Switch-Transmission
22	3220-1	2	Nut-Jam
23	87-7970	1	Arm-Shift
24	323-10	1	Screw-HH
25	3256-4	1	Washer-Flat
26	87-8250	1	Plate-Arm, Shift
27	87-6910	1	Spring-Compression
28	32128-21	1	Nut-HF
29	87-7170	1	Bracket-Spring, Clutch
30	87-7960	2	Lever-Shift
31	80-6990	3	Washer-Hardened
32	48-9520	3	Nut





## Battery Assembly

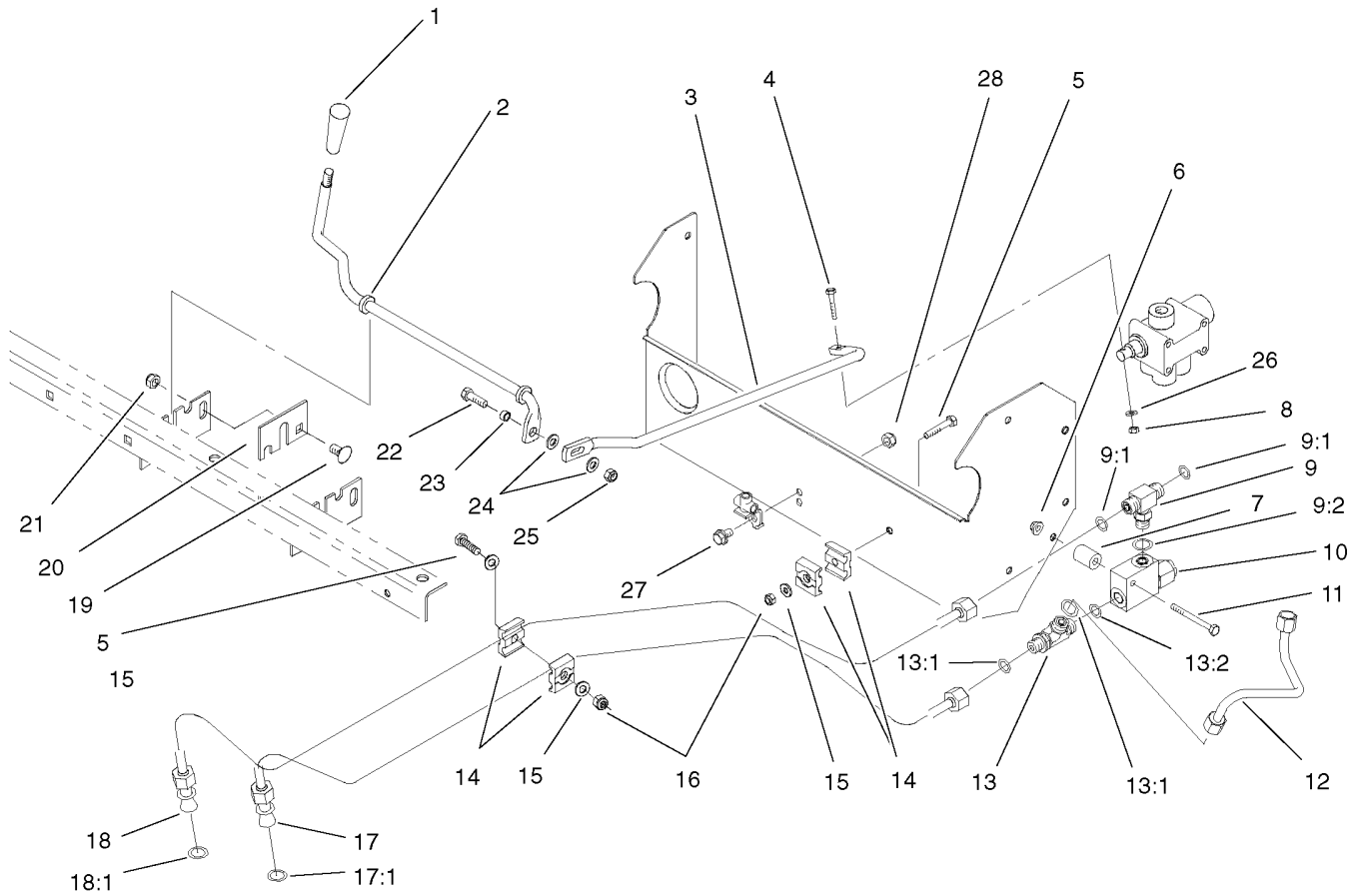
Ref	Part No.	Qty.	Description
1	3290-357	6	Nut-HHF
2	3231-21	6	Screw-CARR
3	3255-9	1	Washer-Lock, Ext
4	19-4050	2	Knob
5	87-5130-03	1	Cover-Battery
6	3230-23	4	Screw-CARR
7	32128-20	2	Nut-HF
8	87-5110-03	1	Support-Base, Battery
9	3256-24	2	Washer-Flat
10	323-9	1	Screw-HH
11	87-5120-03	1	Bracket-Holder, Battery
12	32128-33	1	Nut-HF
13	2412-89	1	Clamp
14	321-4	1	Screw-HH
15	93-6687	1	Decal-No Step
16	87-7600	1	Rod-Support, Battery
17	3296-39	1	Nut-Lock, NI
18	87-7610	1	Tab-Support, Battery
19	3269-27	4	Rivet-Snap
20	87-7620	1	Shield-Terminal, Battery
21	55-7290	1	Battery (Dry)



## Fuel Tank Assembly

Ref	Part No.	Qty.	Description
1	93-3101	1	Cap-Fuel
2	2412-98	2	Clamp
3	62-7650	1	Gasket
4	63-7640	1	Sender-Fuel
5	3253-15	5	Washer-Lock
6	32122-24	5	Screw-Pth
7	32128-33	1	Nut-HF
8	63-9640	1	Hose
9	87-3140-03	1	Support-Gas Tank, Rear
10	323-4	2	Screw-HH
11	3296-42	2	Nut-Lock, NI
12	87-3150-03	1	Support-Gas Tank, Front
13	3274-54	2	Screw-HSH
14	87-3160	2	Strap-Tank, Gas
15	87-3170	2	Felt-Strap
16	43-4300	1	Trim-Frame, Rear
17	3290-357	2	Nut-HHF
18	3234-4	1	Screw-HHF
19	2412-148	1	Clamp-R
20	99-9404	1	Filter-Fuel, Inline
21	5-3637	1	Spacer
22	98-2919	1	Tank-Fuel
22:1	353-781	1	Fitting-Elbow
22:2	2412-36	1	Clamp-Hose

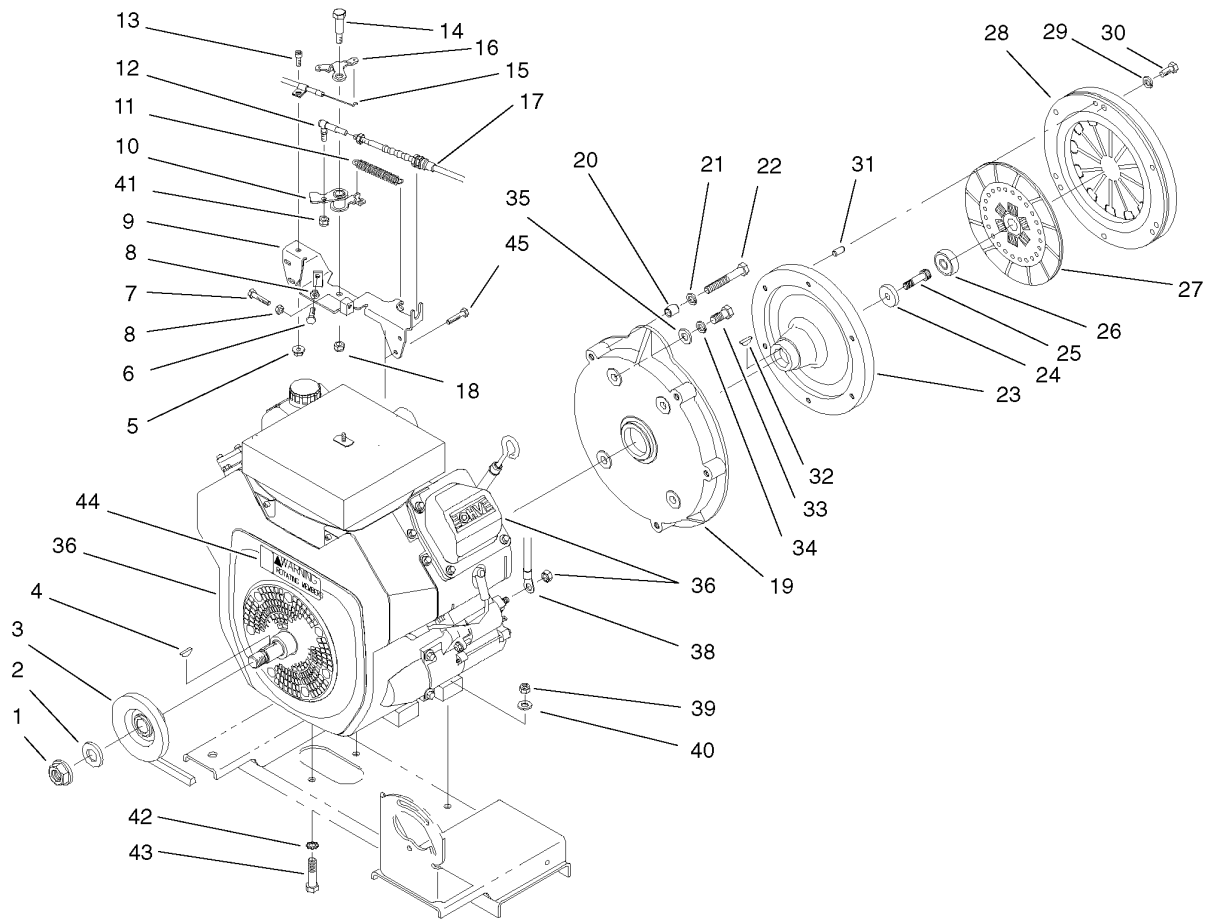
Ref	Part No.	Qty.	Description
23	2412-108	2	Clamp-Worm
24	66-1600	1	Hose-Fuel



### Lift Valve Linkage Assembly

Ref	Part No.	Qty.	Description
1	233-39	1	Knob-Control
2	87-4500	1	Rod-Pivot, Pump
3	87-4510	1	Rod-Connecting Dump
4	87-5150	1	Bolt
5	321-9	2	Screw-HH
6	32128-33	1	Nut-HF
7	75-9610	1	Support-Radiator
8	87-5140	1	Nut-Lock
9	340-94	1	Adapter
9:1	237-22	2	O-Ring
9:2	237-42	1	O-Ring
10	87-3680	1	Valve-Relief
11	321-15	1	Screw-HH
12	87-4560	1	Hardline
13	340-86	1	Fitting-Hyd, Tee
13:1	237-22	2	O-Ring
13:2	237-42	1	O-Ring
14	56-7973	4	Clamp-Tube
15	3256-22	3	Washer-Flat
16	3296-42	2	Nut-Lock, NI
17	87-9350	1	Hardline-Steering
17:1	39-7310	1	Seal-O Ring
18	87-4540	1	Hardline-Steering
18:1	39-7310	1	Seal-O Ring

Ref	Part No.	Qty.	Description
19	3231-21	2	Screw-CARR
20	87-4490	2	Bracket-Hold Down
21	3296-39	2	Nut-Lock, NI
22	322-5	1	Screw-HH
23	87-5080	1	Spacer-Rod, Connecting
24	3256-23	2	Washer-Flat
25	3296-29	1	Nut-Lock, NI
26	3256-14	1	Washer-Flat
27	322-2	1	Screw-HH
28	32128-20	1	Nut-HF

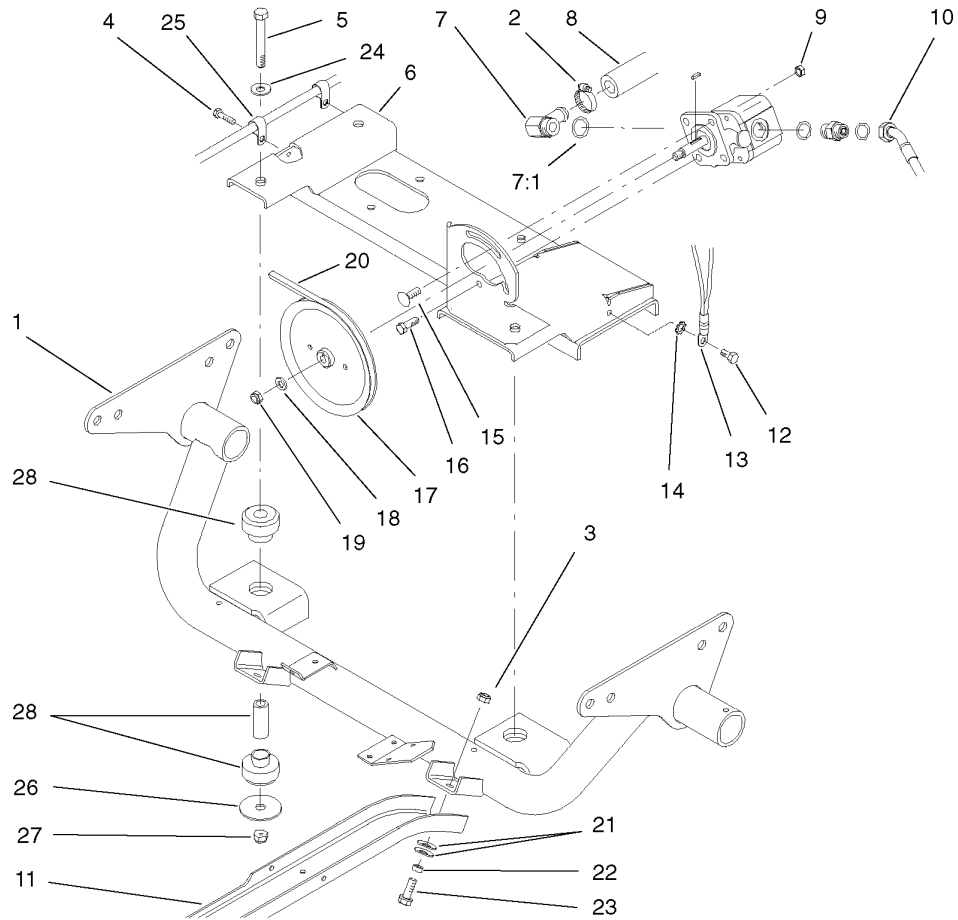


## Air Cooled Engine Assembly

Ref	Part No.	Qty.	Description
1	3296-15	1	Nut-Lock, NI
2	3256-28	1	Washer-Flat
3	87-7710-03	1	Pulley
4	3257-7	1	Key-Woodruff
5	32128-33	1	Nut-HF
6	329-6	1	Screw-HH
7	329-7	1	Screw-HH
8	3220-1	2	Nut-Jam
9	87-7780-03	1	Bracket-Throttle
10	87-7800	1	Lever-Throttle
11	67-1450	1	Spring-Idler, Deck
12	18-1720	1	Governor Ball Joint ASM
13	3274-15	1	Screw-HSH
14	7-0030	1	Bolt-Shoulder
15	87-8060	1	Cable-Choke Control
16	87-7790	1	Lever-Choke
17	94-3834	1	Cable-Accelerator
18	3296-29	1	Nut-Lock, NI
19	87-6390	1	Adapter-Clutch
20	92-2152	2	Bushing
21	3253-22	4	Washer-Lock
22	56-2150	4	Screw-HH
23	87-6480	1	Flywheel
24	87-6080	1	Washer

Ref	Part No.	Qty.	Description
25	3274-1	1	Screw-HSH
26	87-6460	1	Bearing-Ball (W/seal)
27	104-9219	1	Disc-Clutch
28	104-9231	1	Plate-Pressure, Clutch
29	3253-4	6	Washer-Lock
30	33114-016	6	Screw-HH
31	42-7160	3	Pin
32	3257-5	1	Key-Woodruff
33	324-4	4	Screw-HH
34	3253-6	4	Washer-Lock
35	3256-25	4	Washer-Flat
36	105-4203	1	Engine-Kohler
38	87-8000	1	Cable-Battery, Positive
39	3296-39	4	Nut-Lock, NI
40	3256-24	4	Washer-Flat
41	3296-3	1	Nut-Lock
42	3255-9	1	Washer-Lock, Ext
43	323-9	4	Screw-HH
44	80-8040	1	Decal-Warning
45	32144-4	2	Screw-HWH



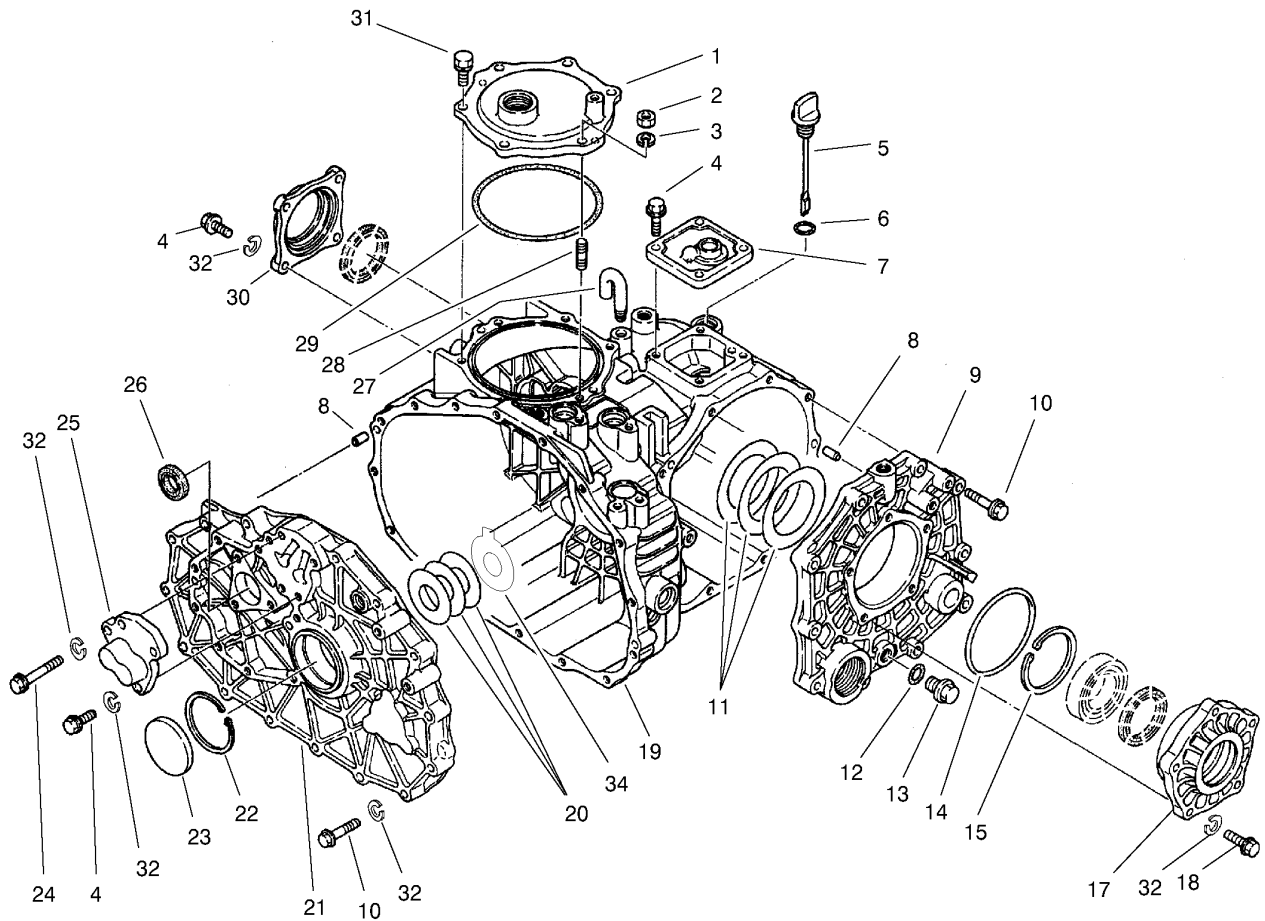


## Air Cooled Engine Support Assembly

Ref	Part No.	Qty.	Description
1	87-8150-03	1	Engine Support ASM
2	2412-34	1	Clamp-Hose
3	3296-39	6	Nut-Lock, NI
4	32144-10	2	Screw-HWH
5	324-12	2	Screw-HH
6	87-6400-03	1	Engine Mount ASM
7	87-8170	1	Fitting
7:1	237-80	1	O-Ring
8	87-8030	1	Hose-Suction
9	3296-29	2	Nut-Lock, NI
10	87-8020	1	Hose ASM
11	87-4730-03	2	Guard-Belly
12	32144-14	1	Screw-HWH
13	87-3080	1	Cable-Battery, Negative
14	3255-8	1	Washer-Lock
15	3230-22	1	Screw-CARR
16	322-5	1	Screw-HH
17	87-7740	1	Pulley
18	3256-45	1	Washer-Flat
19	3296-5	1	Nut-Lock
20	87-8370	1	V-Belt
21	3290-413	12	Washer-Belleville
22	76-9100	6	Spacer-Speed, Reel
23	3234-11	6	Screw-HHF

Ref	Part No.	Qty.	Description
24	3256-25	2	Washer-Flat
25	2412-89	2	Clamp
26	87-5100	2	Washer-Snubbing
27	3296-48	2	Nut-Lock, NI
28	87-4970	2	Engine Mount ASM

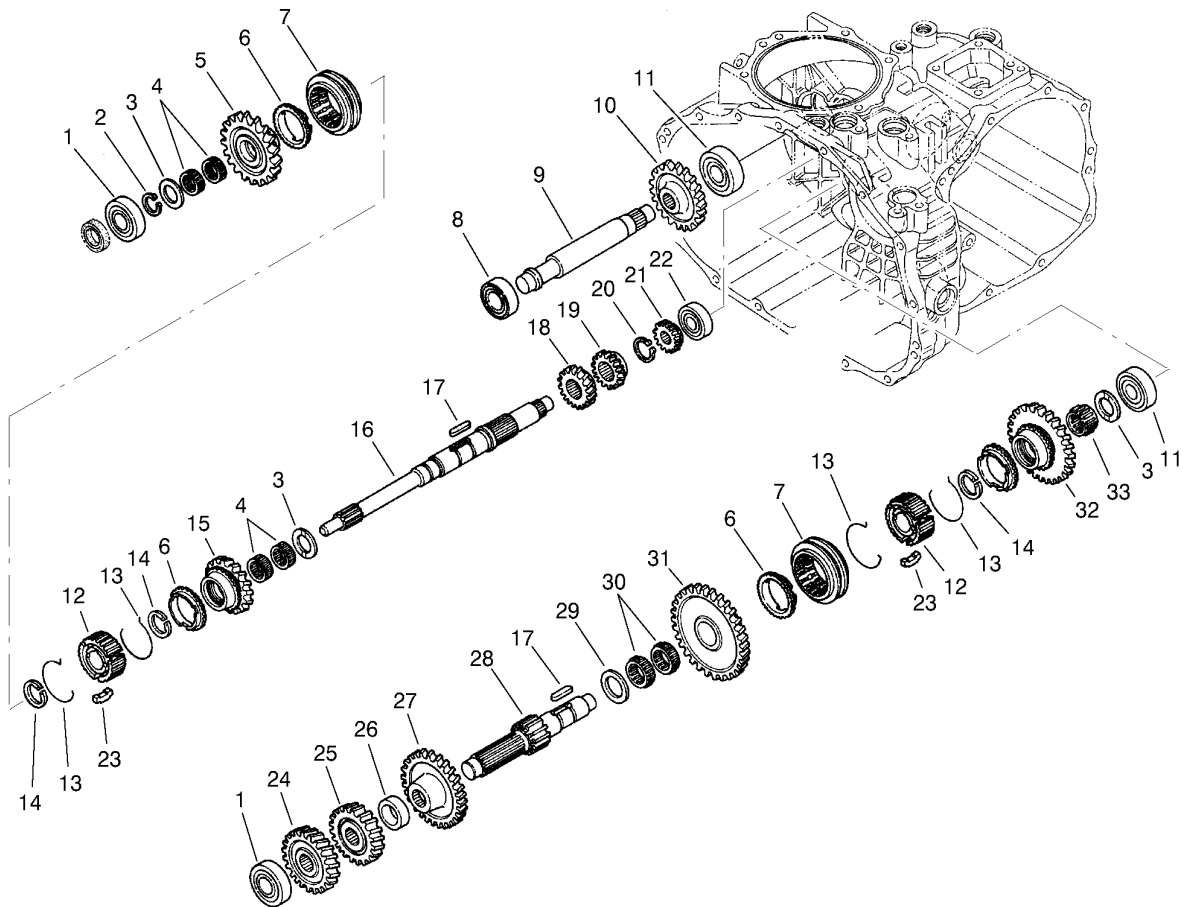




## Transaxle Case Assembly No. 100-4463

Ref	Part No.	Qty.	Description
1	92-0656	1	Cover-Upper, PTO
2	48-7930	1	Nut
3	92-0762	1	Washer-Spring
4	60-6750	11	Bolt
5	92-0662	1	Cap-Oil
6	92-0788	1	O-Ring
7	92-0652	1	Cover-Upper
8	92-0765	4	Pin-Parallel
9	92-0653	1	Cover-Side
10	42-9530	25	Bolt/washer
11	92-0809	1	Set-Shim
12	92-0787	1	O-Ring
13	92-0773	1	Plug-Drain
14	92-0789	1	O-Ring
15	92-0760	1	Ring-Snap
17	92-0654	1	Carrier-Differential
18	48-7730	5	Screw-HH
19	92-0651	1	Case-Transmission
20	100-4460	1	Shim Set
21	100-4461	1	Plate-Center
22	92-0759	1	Ring-Snap
23	92-0807	1	Cap-Sealing
24	48-7560	1	Bolt-HH
25	92-0706	1	Shaft-Fork

Ref	Part No.	Qty.	Description
26	92-0791	1	Seal-Oil
27	92-0743	1	Breather-Air
28	92-0804	1	Stud
29	92-0790	1	O-Ring
30	92-0655	1	Cover-Seal, Axle
31	92-0796	5	Bolt
32	42-9850	42	Washer-Lock, Spring
34	100-4465	1	Shim (W/tab)



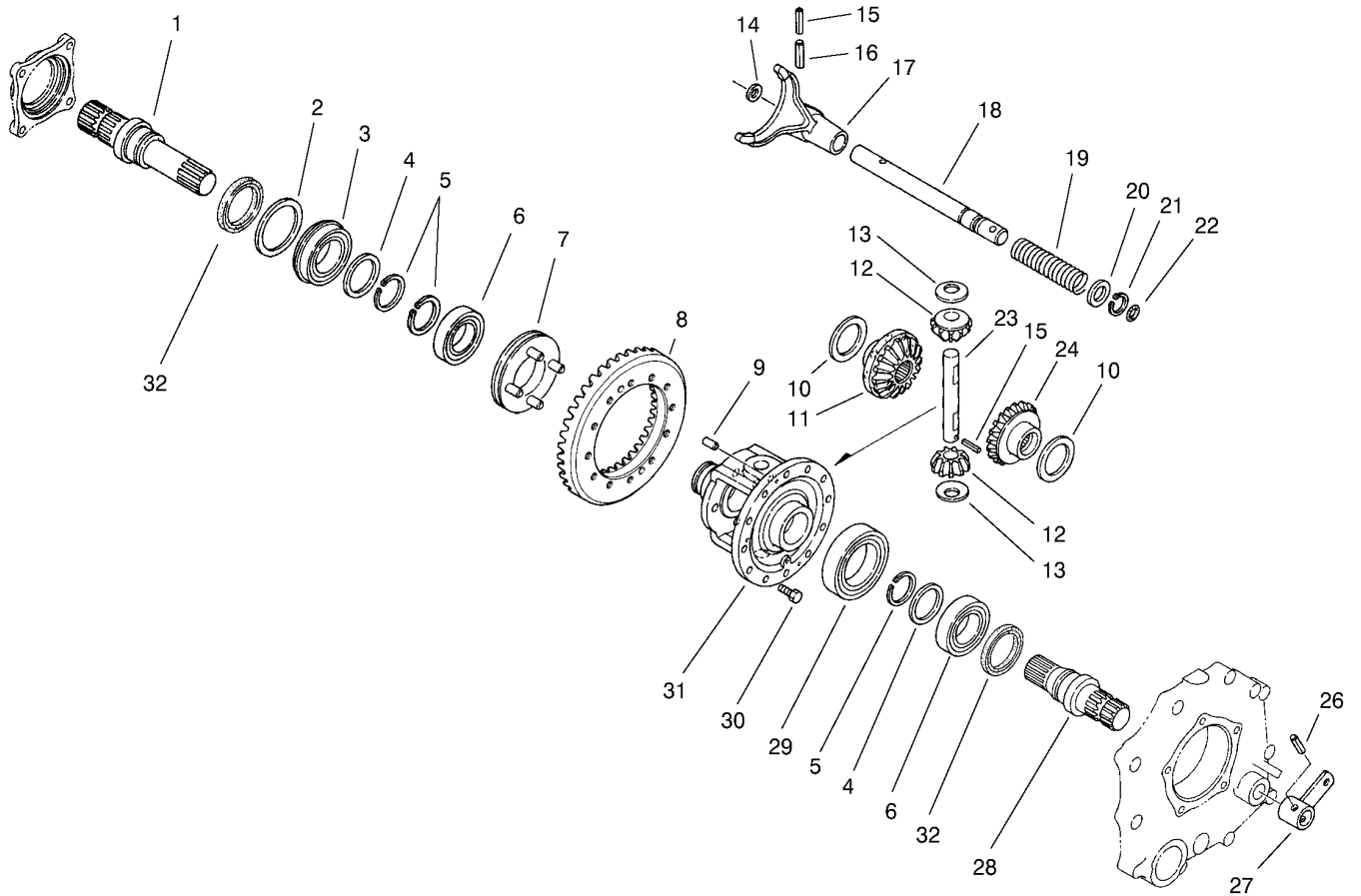
## Transaxle Gear Shaft Assembly No. 100-4463

Ref	Part No.	Qty.	Description
1	251-8	2	Bearing-Ball
2	92-0753	1	Ring-Snap
3	92-0740	3	Washer-Thrust
4	92-0781	4	Bearing-Needle
5	92-0820	1	Gear-Main, 27 Tooth
6	92-0667	3	Ring-Synchro
7	92-0668	2	Shifter-Synchro
8	251-346	2	Bearing-Ball
9	92-0824	1	Shaft-Idler, Reverse
10	92-0684	1	Gear-Reverse, 33 Tooth
11	92-0778	2	Bearing
12	92-0664	2	Hub-Synchro
13	92-0666	4	Spring-Synchro
14	92-0763	3	Ring-Snap
15	92-0821	1	Gear-Main, 24 Tooth
16	92-0663	1	Shaft-Main
17	92-0772	2	Key
18	92-0687	1	Gear-Main, 16 Tooth
19	92-0672	1	Gear-Main, 18 Tooth
20	92-0754	1	Ring-Snap
21	92-0673	1	Gear-Main, 14 Tooth
22	92-0650	1	Bearing
23	92-0665	6	Key-Synchro
24	92-0822	1	Gear-Reduction, 28 Tooth

Ref	Part No.	Qty.	Description
25	92-0679	1	Gear-Reduction, H23 Tooth
26	92-0680	1	Collar
27	92-0823	1	Gear-Reduction, 43 Tooth
28	92-0674	1	Shaft-Reduction
29	92-0682	1	Washer-Thrust
30	92-0681	2	Bearing-Needle
31	92-0677	1	Gear-Reduction, 49 Tooth
32	92-0819	1	Gear-Reduction, 40 Tooth
33	92-0782	1	Bearing-Needle





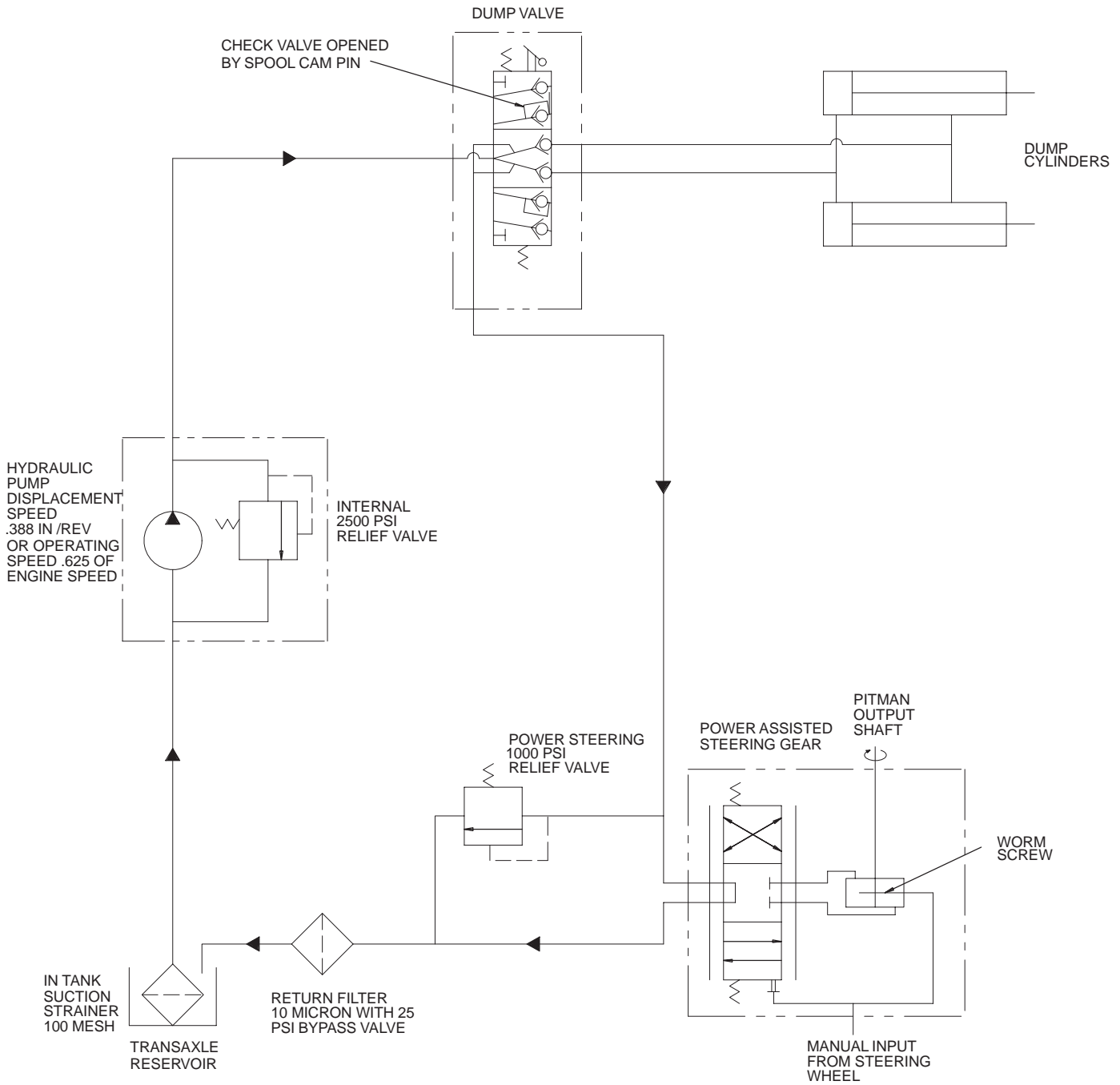


## Differential Gear Assembly No. 100-4463

Ref	Part No.	Qty.	Description
1	92-0726	1	Shaft-Axle, Right
2	92-0728	1	Washer
3	92-0780	1	Bearing
4	92-0727	2	Washer
5	92-0756	3	Ring-Snap
6	92-0775	2	Bearing
7	92-0730	1	Slider-Differential, Lock
8	92-0710	1	Gear-Ring
9	92-0765	2	Pin-Parallel
10	92-0747	2	Side-Gear, Left Inner
11	92-0746	1	Gear-Side, R
12	92-0748	2	Pinion-Differential
13	92-0750	2	Washer
14	92-0744	1	Washer
15	92-0768	2	Pin-Roll, Spring
16	92-0771	1	Pin-Roll, Spring
17	92-0721	1	Fork-Lock, Differential
18	92-0722	1	Shaft-Fork, Lock Differential
19	92-0723	1	Spring-Lock, Differential
20	92-0733	1	Washer
21	92-0753	1	Ring-Snap
22	92-0787	1	O-Ring
23	92-0749	1	Shaft-Pinion
24	92-0745	1	Gear-Side, L

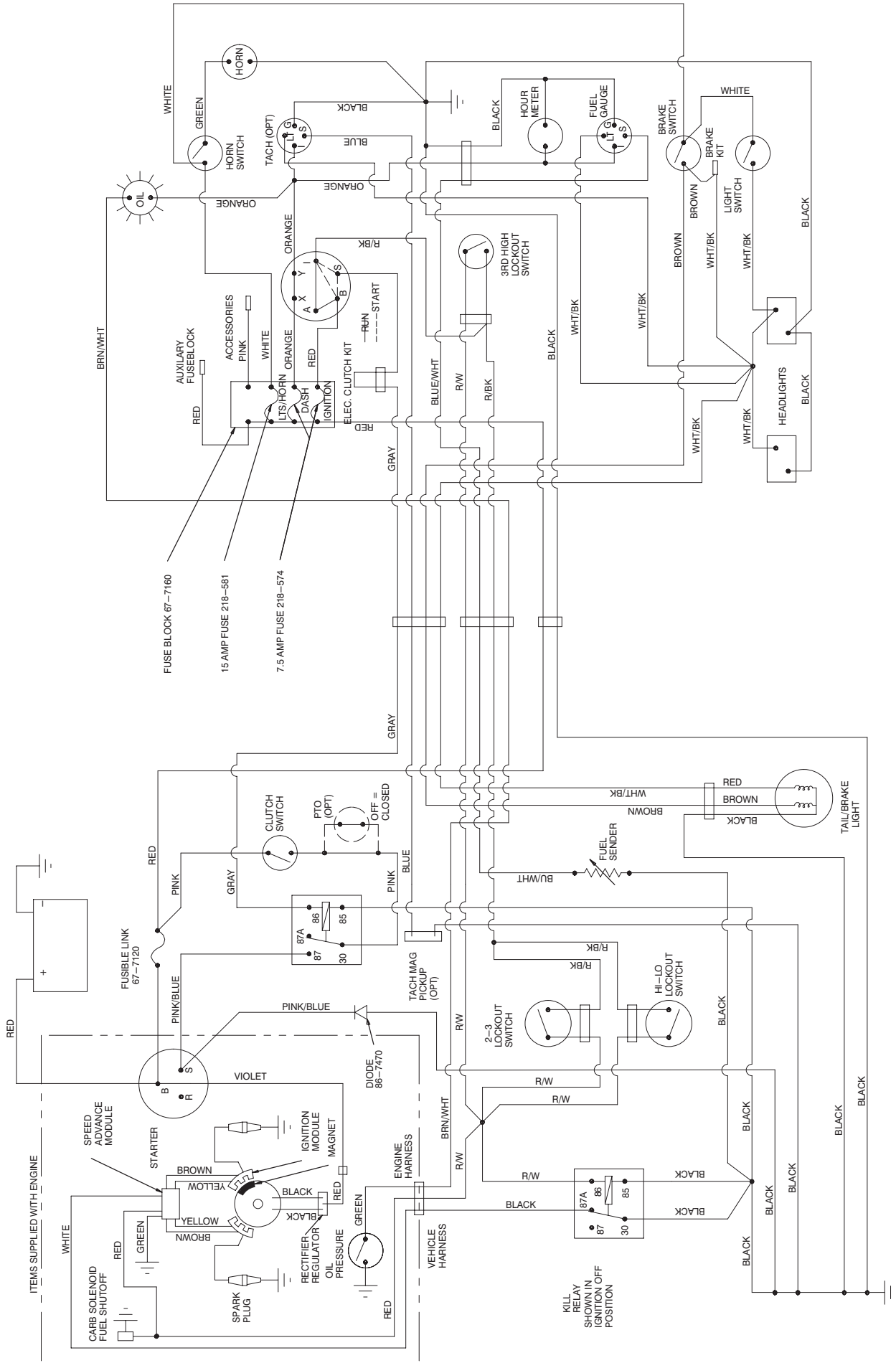
Ref	Part No.	Qty.	Description
26	92-0770	1	Pin-Roll, Spring
27	92-0724	1	Arm-Lock, Differential
28	92-0725	1	Shaft-Axle, Left
29	92-0776	1	Bearing
30	92-0803	12	Bolt
31	92-0720	1	Case-Differential
32	92-0793	2	Seal-Oil

# Hydraulic Schematic

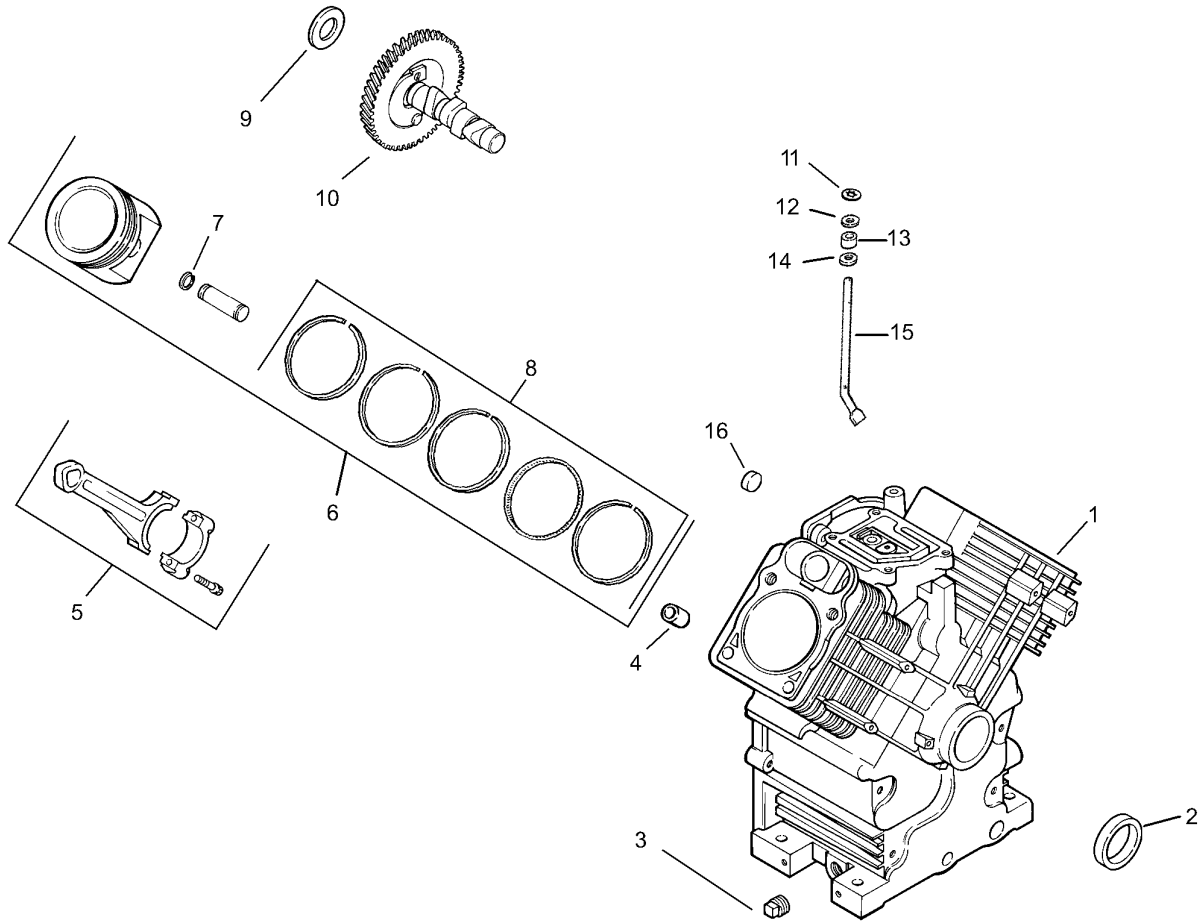


T-1626-1

# Electrical Schematic



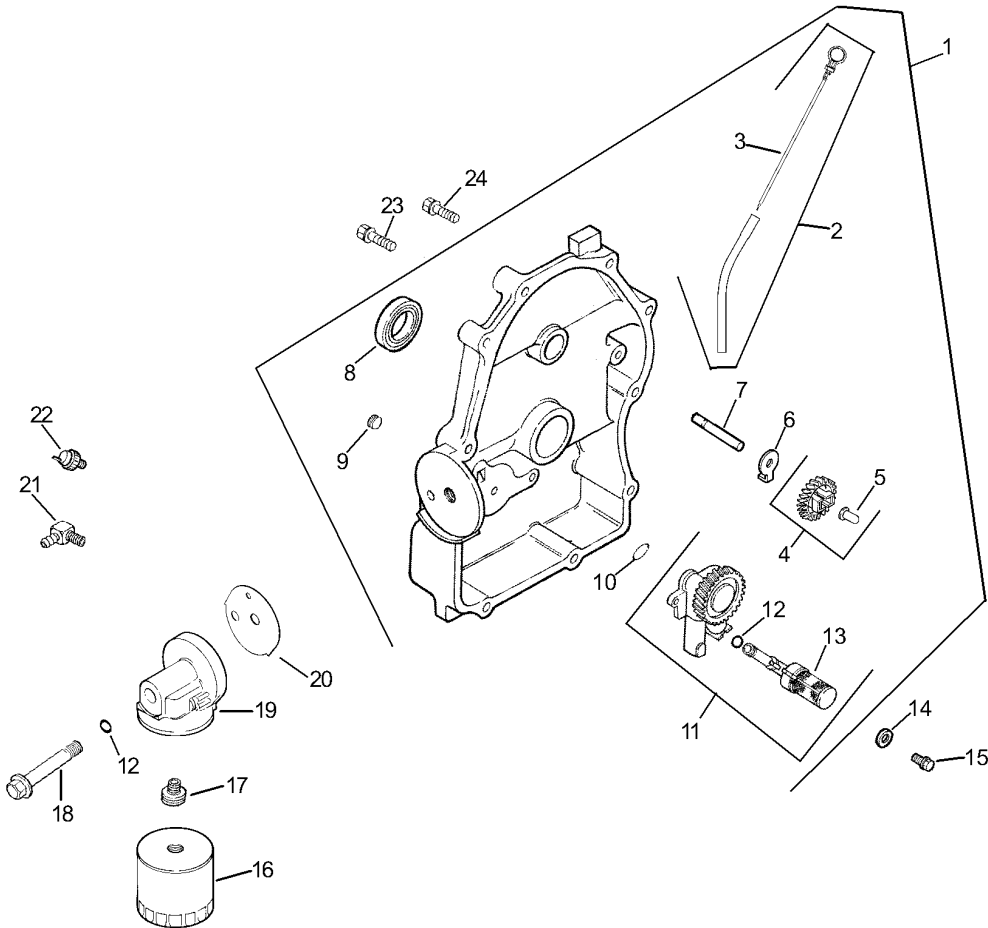




## Crankcase Assembly Kohler CH23-76548

Ref	Part No.	Qty.	Description
❶		1	Crankcase (Use Short Block Or Miniblock)
❷	24 032 01-S	1	Seal-Oil, Front
❸	25 139 57-S	2	Plug-Sq. Hd. 3/8 N.p.t.f.
❹	24 380 13-S	6	Pin-Locating
❺	24 067 13-S	2	Rod-Connecting (Std.)
❻	24 067 14-S	2	Rod-Connecting (.25)
❼	24 874 09-S	2	Piston W/ring Set (Std.)(Includes 7,8)
❽	24 874 10-S	2	Piston W/ring Set (.25)
❾	24 874 11-S	2	Piston W/ring Set (.50)
❿	24 874 15-S	2	Piston W/ring Set (.08)
⓫	24 018 01-S	4	Retainer-Piston Pin
⓬	24 108 08-S	2	Ring Set (Std.)
⓭	24 108 09-S	2	Ring Set (.25)
⓮	24 108 10-S	2	Ring Set (.50)
⓯	12 422 09-S	1	Shim-Camshaft, Red
⓰	12 422 13-S	1	Shim-Camshaft, Black
⓱	12 422 07-S	1	Shim-Camshaft, White
⓲	12 422 08-S	1	Shim-Camshaft, Blue
⓳	12 422 10-S	1	Shim-Camshaft, Yellow
⓴	12 422 11-S	1	Shim-Camshaft, Green
⓵	12 422 12-S	1	Shim-Camshaft, Gray
⓶	24 012 10-S	1	Camshaft

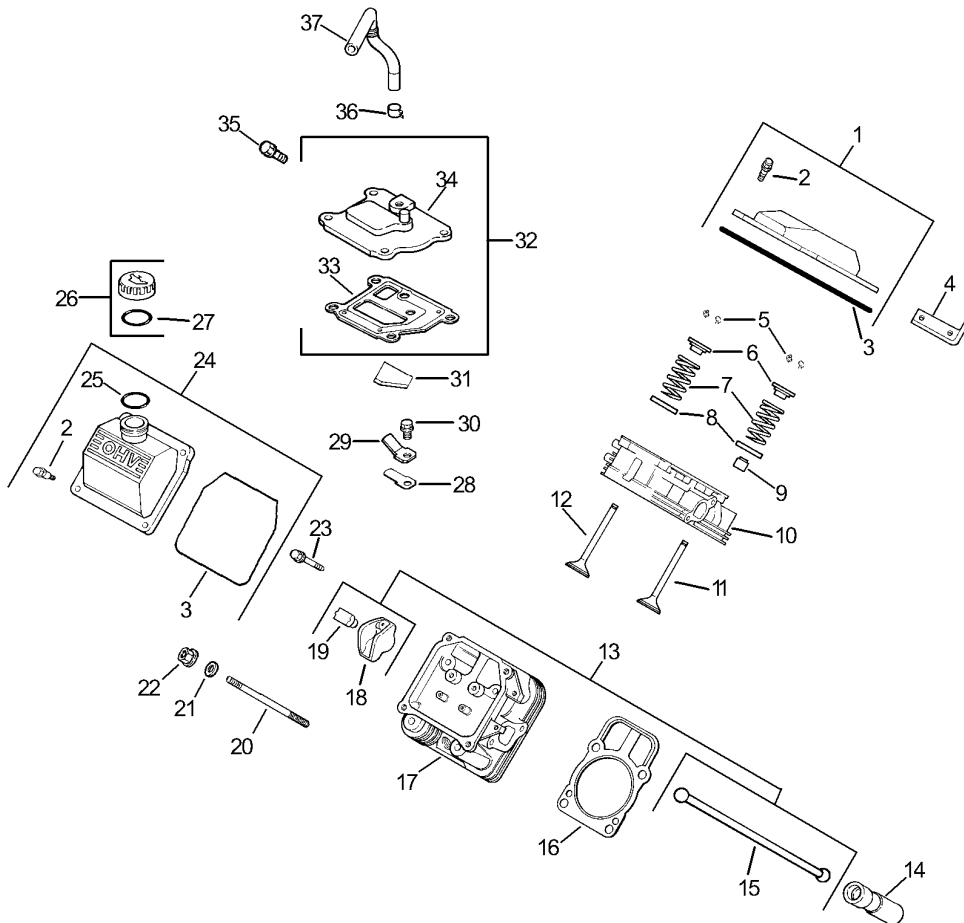
Ref	Part No.	Qty.	Description
⓷	24 018 09-S	1	Retainer-Ring
⓸	M-931010-S	1	Washer-Plain (9 Mm)
⓹	28 032 09-S	1	Seal-Governor Cross Shaft
⓺	24 468 15-S	1	Washer-Flat (1/4)
⓻	24 144 33-S	1	Shaft-Governor Cross
⓼	52 139 09-S	1	Plug-Cup



## Oil Pan/Lubrication Assembly Kohler CH23-76548

Ref	Part No.	Qty.	Description
❶1	24 009 83-S	1	Plate, Closure Asm. (Includes 2-13)
❶2	24 755 121-S	1	Tube Asm., Dipstick (Includes 3)
❶3	24 038 10-S	1	Dipstick
❶4	24 043 12-S	1	Kit, Governor Gear (Includes 5)
❶5	12 380 01-S	1	Pin-Governor Regulating
❶6	52 448 02-S	1	Tab-Locking
❶7	12 144 02-S	1	Shaft-Governor Gear
❶8	52 032 08-S	1	Seal-Oil (Pto End)
❶9	25 139 60-S	2	Plug-Pipe, 1/8in Allen Head
❶10	24 153 08-S	1	O-Ring
❶11	24 393 10-S	1	Oil Pump Assembly (Includes 12,13)
❶12	24 153 01-S	1	O-Ring, Oil Pick-Up
❶13	24 381 04-S	1	Pick-Up, Oil
❶14	M-631005-S	2	Washer-Plain (6 Mm)
❶15	M-645025-S	2	Screw-Hex Flange, M6x1.0x25
❶16	12 050 01-S	1	Filter-Oil
❶17	24 136 01-S	1	Nipple-Oil Filter
❶18	24 211 01-S	1	Bolt-Oil Filter Adapter
❶19	23 029 01-S	1	Adapter, Oil Filter
❶20	24 04129-S	1	Gasket, Oil Filter Adapter
❶21	25 155 02-S	1	Connector
❶22	25 099 24-S	1	Switch-Pressure

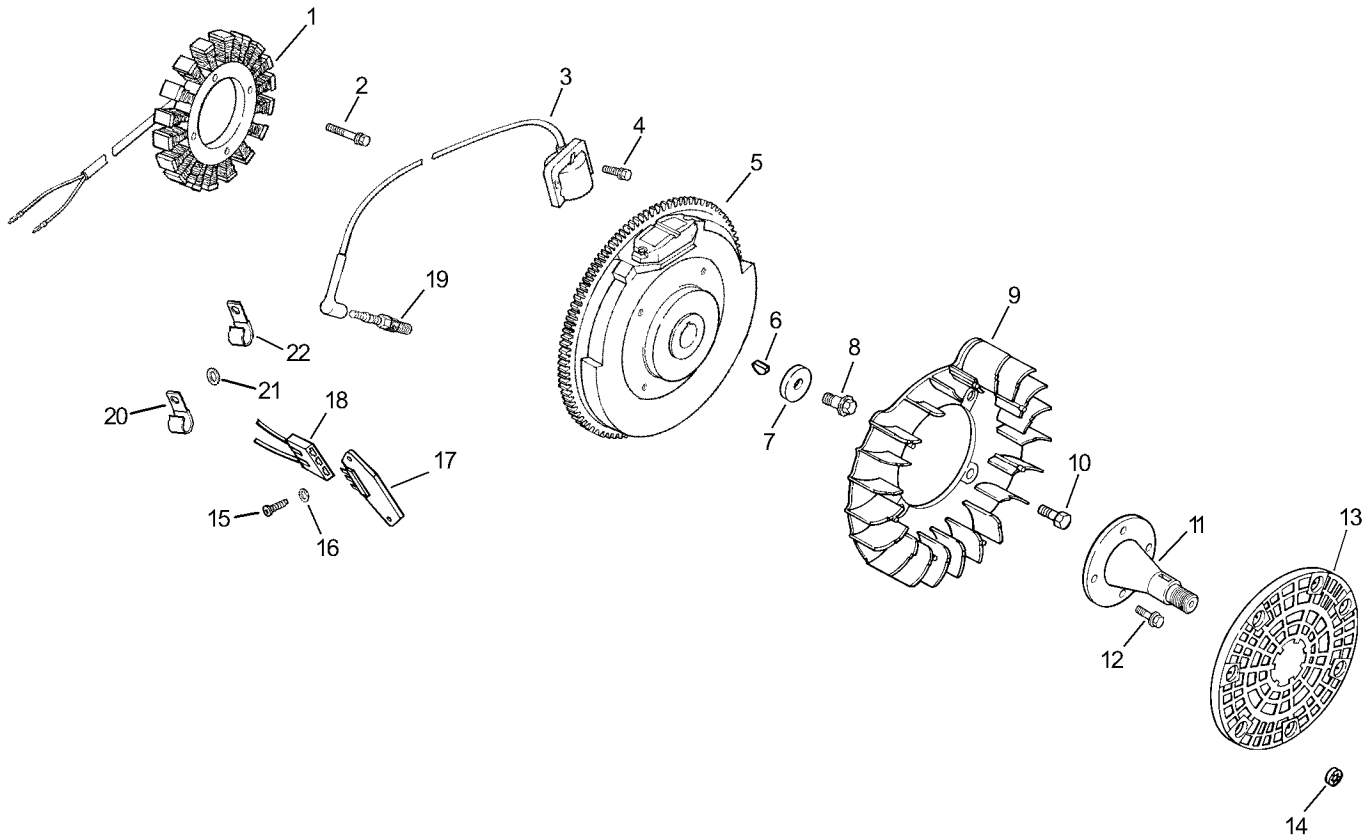
Ref	Part No.	Qty.	Description
❶23	24 086 16-S	9	Screw-Hex Flange, M8x1.25x45
❶24	24 086 17-S	1	Screw-Hex Flange, M8x1.25x45
❶❶	25 113 05-S	1	Decal-Oil Sentry



## Head/Valve/Breather Assembly Kohler CH23-76548

Ref	Part No.	Qty.	Description
1	24 755 74-S	1	Kit, Valve Cover-Plain (Includes 2,3)
2	24 086 32-S	4	Screw-Shoulder, M6x1.0x30
3	24 153 16-S	1	O-Ring
4	24 455 01-S	2	Strap-Lifting
5	12 755 03-S	4	Retainer Kit
6	12 173 01-S	4	Cap-Spring, Valve
7	24 089 02-S	4	Spring-Valve
8	235011-S	4	Retainer-Spring
9	66 032 05-S	2	Seal-Valve Stem
10	24 318 68-S	1	Head Asm, # 1 Cylinder
11	24 017 01-S	2	Valve-Intake (Std.)
12	24 017 02-S	2	Valve-Intake (.25)
13	24 016 01-S	2	Valve-Exhaust (Std.)
14	24 016 02-S	2	Valve-Exhaust (.25)
15	24 755 66-S	1	Kit, Valve Train (Includes 15,18,19)
16	25 351 01-S	4	Lifter-Valve
17	24 411 05-S	4	Rod-Push
18	24 041 40-S	2	Gasket, Cylinder Head
19	24 318 71-S	1	Head Asm, # 2 Cylinder
20	25 186 01-S	4	Arm-Rocker
21	24 599 01-S	4	Pivot-Rocker Arm
22	24 072 09-S	8	Stud-Cylinder Head, M8x1.25x20

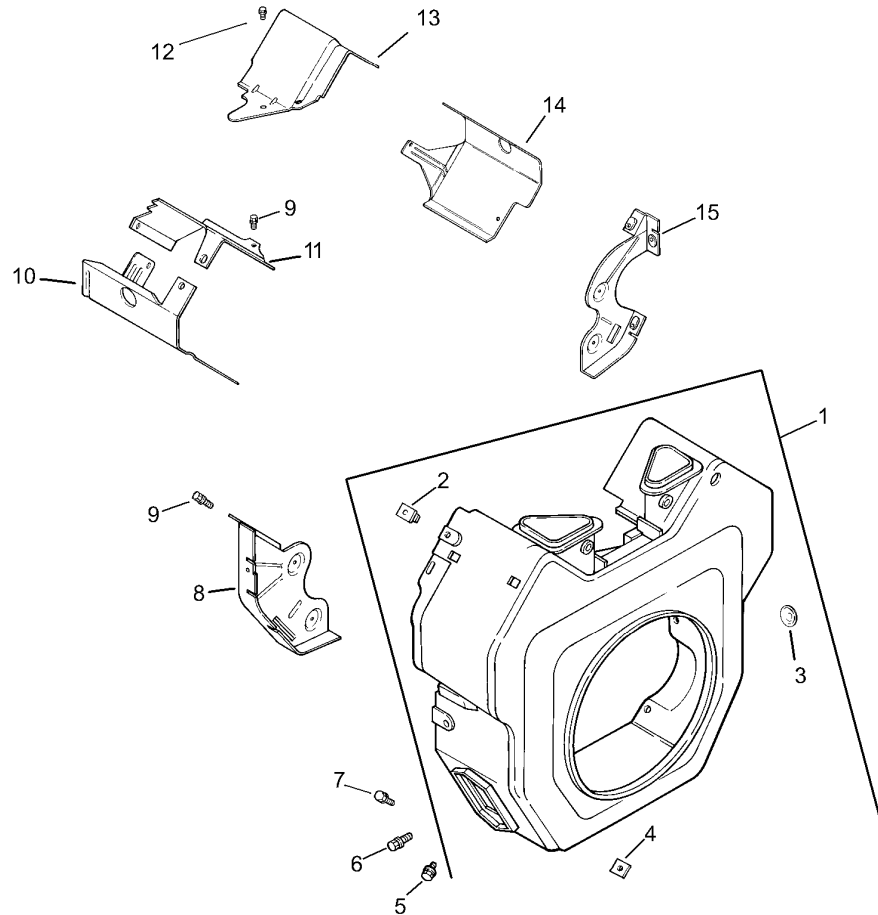
Ref	Part No.	Qty.	Description
23	24 468 16-S	8	Washer-Flat (8 Mm)
24	24 100 10-S	8	Nut-Hex Flange, M8x1.25
25	M-640034-S	4	Screw-Hf, M6x1.0x34
26	24 755 75-S	1	Kit, Valve Cover Oil Fill (Includes 2,3,25)
27	24 153 09-S	1	O-Ring
28	24 755 46-S	1	Kit, Oil Fill Cap (Includes 27)
29	24 153 03-S	1	"o"ring
30	24 402 03-S	1	Reed-Breather
31	12 018 01-S	1	Retainer-Reed, Breather
32	M-545010-S	1	Screw-Hex Flange, M5x0.8x10
33	24 050 01-S	1	Filter-Breather
34	24 033 01-S	1	Kit, Breather (Includes 33, 34)
35	24 041 23-S	1	Gasket-Breather
36	24 096 58-S	1	Cover-Breather
37	M-645020-S	4	Screw-Hex Flange, M6x1.0x20
38	25 237 14-S	2	Clamp-Breather
39	24 326 26-S	1	Hose-Breather



## Ignition/Electrical Assembly Kohler CH23-76548

Ref	Part No.	Qty.	Description
❶	28 085 02-S	1	Stator Kit, W/connectors
❷	M-545030-S	2	Screw-Cap, Hex
❸	24 584 01-S	2	Module-Ignition
❹	M-545020-S	4	Screw-Hex Flange, M5x0.8x20
❺	24 025 01-S	1	Flywheel
❻	X-42-15-S	1	Key
❼	12 468 03-S	1	Washer-Plain (3/8)
❽	12 086 14-S	1	Screw-Hex Flange, M10x1.5x46
❾	24 157 01-S	1	Fan
❿	25 086 47-S	4	Bolt-Shoulder, M6x1.0x16
⓫	24 144 17-S	1	Shaft-Front Drive
⓬	M-839025-S	4	Screw-Hex Flange, M8x1.25x25
⓭	24 162 16-S	1	Screen-Grass
⓮	24 018 03-S	3	Retainer
⓯	24 086 18-S	2	Screw-Phillips Head, 11-16x7/8
⓰	X-25-92-S	2	Washer-Plain (3/16)
⓱	25 403 03-S	1	Rectifier-Regulator, 15 Amp
⓲	236602-S	1	Connector (3 Contact)
⓳	12 132 02-S	2	Spark Plug
⓴	235173-S	1	Clip-Cable
⓵	X-25-63-S	1	Washer-Plain (1/4)
⓶	48 154 02-S	1	Clip-Cable

Ref	Part No.	Qty.	Description
⓷	24 518 12-S	1	Lead-Black (5in, 12 Gauge, Insulated Grip Barrel Eyelet Terminals)
⓸	X-22-11-S	1	Washer-Lock, 1/4in
⓹	24 176 92-S	1	Harness-Wiring
⓺	24 518 34-S	1	Lead-Violet
⓻	25 454 03-S	3	Tie-Cable

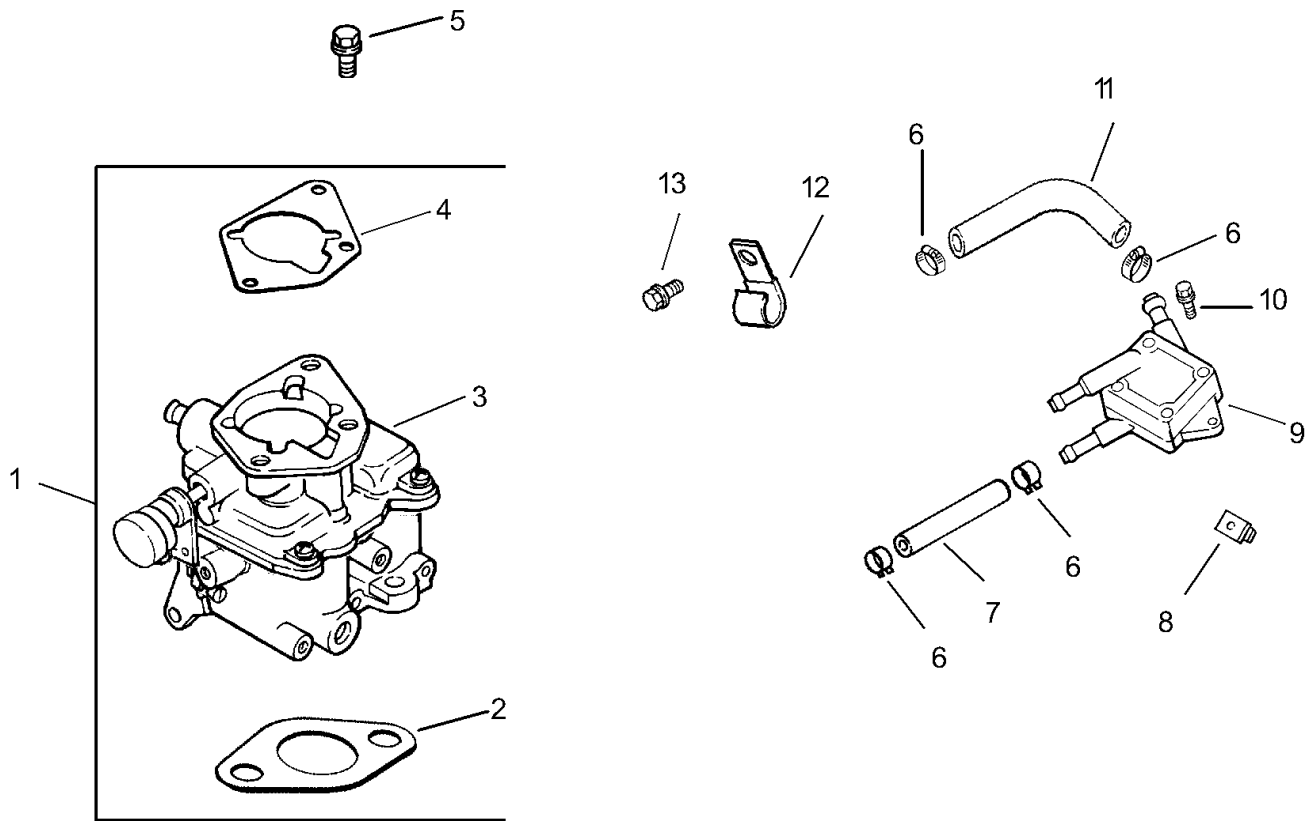


## Blower Housing and Baffle Assembly Kohler CH23-76548

Ref	Part No.	Qty.	Description
❶	24 027 20-S	1	Housing, Blower (Includes 2-4)
❷	24 100 02-S	2	Nut-Plastic
❸	25 139 16-S	1	Plug-Button (9/16in)
❹	24 100 01-S	2	Nut-Plastic
❺	M-551016-S	1	Screw-Hex Flange, M5x0.8x16
❻	M-545016-S	3	Screw-Hex Flange, M5x0.8x16
❼	M-545020-S	4	Screw-Hex Flange, M5x0.8x20
❽	24 146 16-S	1	Plate-Backing, # 2 Side
❾	M-645016-S	6	Screw-Hex Flange, M6x1.0x16
❿	24 063 20-S	1	Baffle-Cylinder Barrel, # 2 Side
⓫	24 063 17-S	1	Baffle-Valley # 2 Side
⓬	M-545010-S	2	Screw-Hex Flange, M5x0.8x10
⓭	24 063 24-S	1	Baffle-Valley, No. 1 Side
⓮	24 063 58-S	1	Baffle-Cylinder Barrel, # 1 Side
⓯	24 146 20-S	1	Plate-Backing, # 1 Side
⓰	24 113 81-S	1	Decal-23 Hp

--	--	--	--

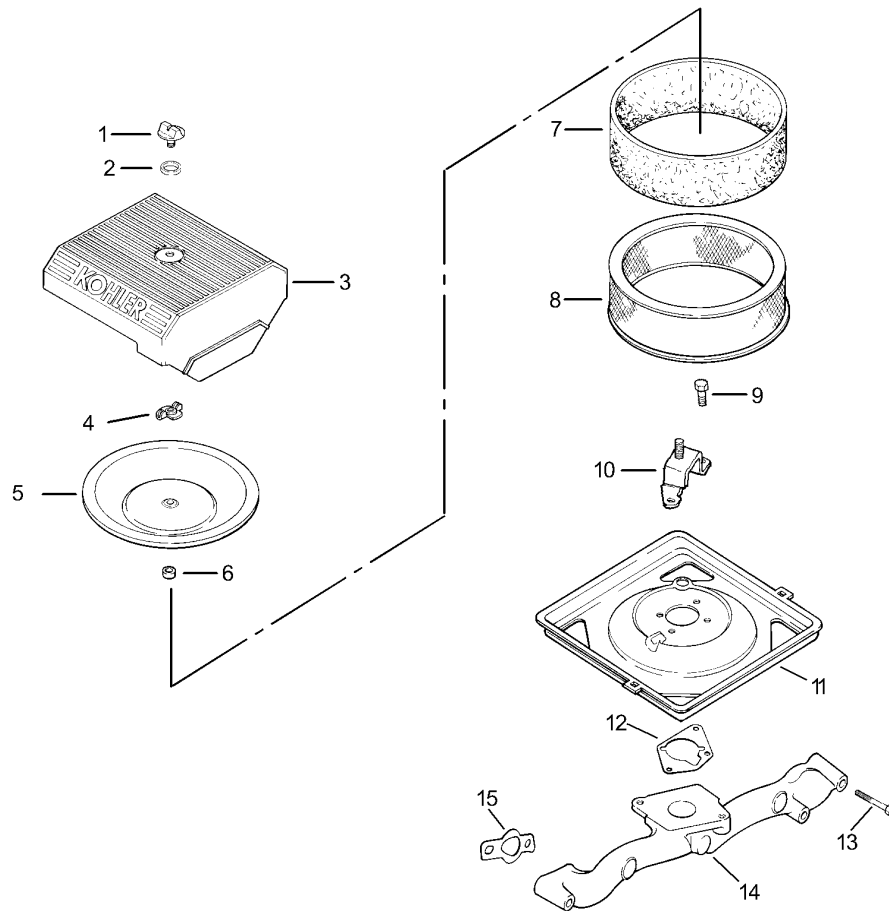




## Fuel System Assembly Kohler CH23-76548

Ref	Part No.	Qty.	Description
❶	24 853 59-S	1	Kit, Carburetor W/gasket (Incl. 2-4)
❷	24 041 17-S	1	Gasket-Carburetor
❸	24 053 59-S	1	Carburetor Asm. (For Information Only Not Available Separately)(Service With Kits 24 757 01-S,24 757 02-S,24 757 03-S, And 24 757 07-S)
❹	24 041 06-S	1	Gasket-Air Cleaner Base
❺	M-651030-S	2	Screw-Hex Flange, M6x1.0x30
❻	25 237 14-S	4	Clamp-Breather
❼	24 353 02-S	1	Line-Fuel
❽	24 100 01-S	2	Nut-Plastic
❾	24 393 16-S	1	Pump-Fuel
❿	24 086 12-S	2	Screw-Hex Cap, M6x1.7x18
⓫	24 353 11-S	1	Line, Fuel 9-1/2"
⓬	47 154 01-S	1	Clip-Cable
⓭	M-650012-S	1	Screw-Hex Flange, M6x1.0x12
⓮	24 757 01-S	1	Solenoid Kit
⓯	24 757 02-S	1	Float Repair Kit
⓰	24 757 03-S	1	Carburetor Repair Kit
⓱	24 757 07-S	1	Choke Repair Kit



## Air Intake/Filtration Assembly Kohler CH23-76548

Ref	Part No.	Qty.	Description
❶	25 341 03-S	1	Knob-Cover
❷	24 153 20-S	1	O-Ring
❸	24 096 67-S	1	Cover-Air Cleaner
❹	12 100 01-S	1	Nut-Wing
❺	24 096 01-S	1	Cover-Inner Air Cleaner
❻	230046-S	1	Seal-Breather
❼	24 083 05-S	1	Element-Precleaner
❽	24 083 03-S	1	Element-Air Cleaner
❾	M-645016-S	3	Screw-Hex Flange, M6x1.0x16
❿	24 126 88-S	1	Bracket-Air Cleaner
⓫	24 094 11-S	1	Base, Air Cleaner
⓬	24 041 06-S	1	Gasket-Air Cleaner Base
⓭	25 086 84-S	4	Screw-Hf, M6x1.0x55
⓮	24 164 14-S	1	Manifold-Intake
⓯	24 041 01-S	2	Gasket-Manifold, Intake

--	--	--	--



## NOTES

# NOTES

## NOTES

## NOTES

