



## Groundsmaster<sup>®</sup> 328-D

Model No. 30630 - 250000001 and up.

### Parts Catalog

---

#### **Ordering Replacement Parts**

To order replacement parts, please supply the part number, the quantity, and the description of each part desired.

#### **Understanding Reference Numbers**

Each Identified part in an illustration has a reference number. The reference number for a part also appears in the parts list, along with other information about the part.

This catalog uses two special reference number formats, one to indicate parts in a service assembly and another to indicate the quantity of a given part in an illustration.

#### **Service Assembly Reference Numbers**

Parts in service assemblies have reference numbers in the form a:b. The a represents the reference number of the entire service assembly and the b represents a sequential number unique to each part within the service assembly.

For example, a wheel assembly might be identified by reference number 6, the tire by 6:1, the valve by 6:2, and the wheel by 6:3. When you order the assembly identified by reference number 6, you receive all parts identified by reference numbers 6:1, 6:2, and 6:3. However, you may also order any part individually. Reference numbers of this type appear in illustrations and in part lists.

#### **Reference Numbers Indicating Quantity**

In an illustration, if a reference number indicates more than one part, the reference number has the form nX y. The n represents the quantity of the part, the X is the multiplication symbol, and the y represents the reference number.

For example, in an illustration, the reference number 2X 37 means that two of the parts identified by reference number 37 are indicated.

# Contents

<b>Description</b>	<b>Page</b>	<b>Description</b>	<b>Page</b>
Frame Assembly	..... 4	Engine Pulley System Assembly	..... 38
Frame Assembly No. 98-3879	..... 5	Fan Support Assembly No. 106-4399	..... 39
Control Panel Assembly	..... 6	Crankcase Assembly	..... 40
Brake Pedal Assembly	..... 8	Oil Pan Assembly	..... 41
Traction Pedal Assembly	..... 9	Cylinder Head Assembly	..... 42
Power Steering Assembly	..... 10	Gear Case Assembly	..... 43
Power Steering Unit Assembly No. 108-6557	..... 11	Head Cover Assembly	..... 44
Engine Installation Assembly	..... 12	Dipstick and Guide Assembly	..... 45
Power-Take-Off and Shaft Assembly	..... 13	Main Bearing Case Assembly	..... 46
Power-Take-Off Assembly	..... 14	Camshaft and Idle Gear Shaft Assembly	..... 47
Valve and Cylinder Assembly	..... 15	Piston and Crankshaft Assembly	..... 48
Hydraulic Cylinder Assembly No. 100-6586 (2-1/2in Bore)	..... 16	Flywheel Assembly	..... 49
Hydraulic Cylinder Assembly No. 100-6591 (3in Bore) (Optional)	..... 17	Fuel Camshaft and Governor Shaft Assembly	..... 50
Valve Assembly No. 106-8071-01	..... 18	Idle Apparatus Assembly	..... 51
Radiator and Hood Assembly	..... 19	Injection Pump Assembly	..... 52
Transmission Assembly	..... 21	Governor Assembly	..... 53
Transmission Assembly No. 92-8947	..... 22	Speed Control Plate Assembly	..... 54
Neutral Centering Device Assembly	..... 24	Nozzle Holder and Glow Plug Assembly	..... 55
Push Arm and Roll-Over-Protection-System Assembly	..... 25	Nozzle Holder (Component Part) Assembly	..... 56
Water and Fuel Filter Assembly	..... 27	Alternator and Pulley Assembly	..... 57
Water / Fuel Filter Assembly No. 98-9305	..... 28	Alternator Assembly	..... 58
Fuel Tank and Front Axle Assembly	..... 29	Starter Installation Assembly	..... 59
Rear Axle Assembly	..... 30	Starter Assembly	..... 60
Hydraulic Cylinder Assembly No. 92-7828	..... 32	Water Flange and Thermostat Assembly	..... 61
Front Axle Assembly No. 86-9600-03	..... 33	Water Pump and Pipe Assembly	..... 62
Brake Assembly	..... 35	Valve and Rocker Arm Assembly	..... 63
Engine and Mounting Component Assembly	..... 36	Inlet Manifold Assembly	..... 64
		Miscellaneous Parts Assembly	..... 65
		Gasket Kit Assembly	..... 66
		Attachments and Accessories List	..... 67

## Part Description Abbreviations

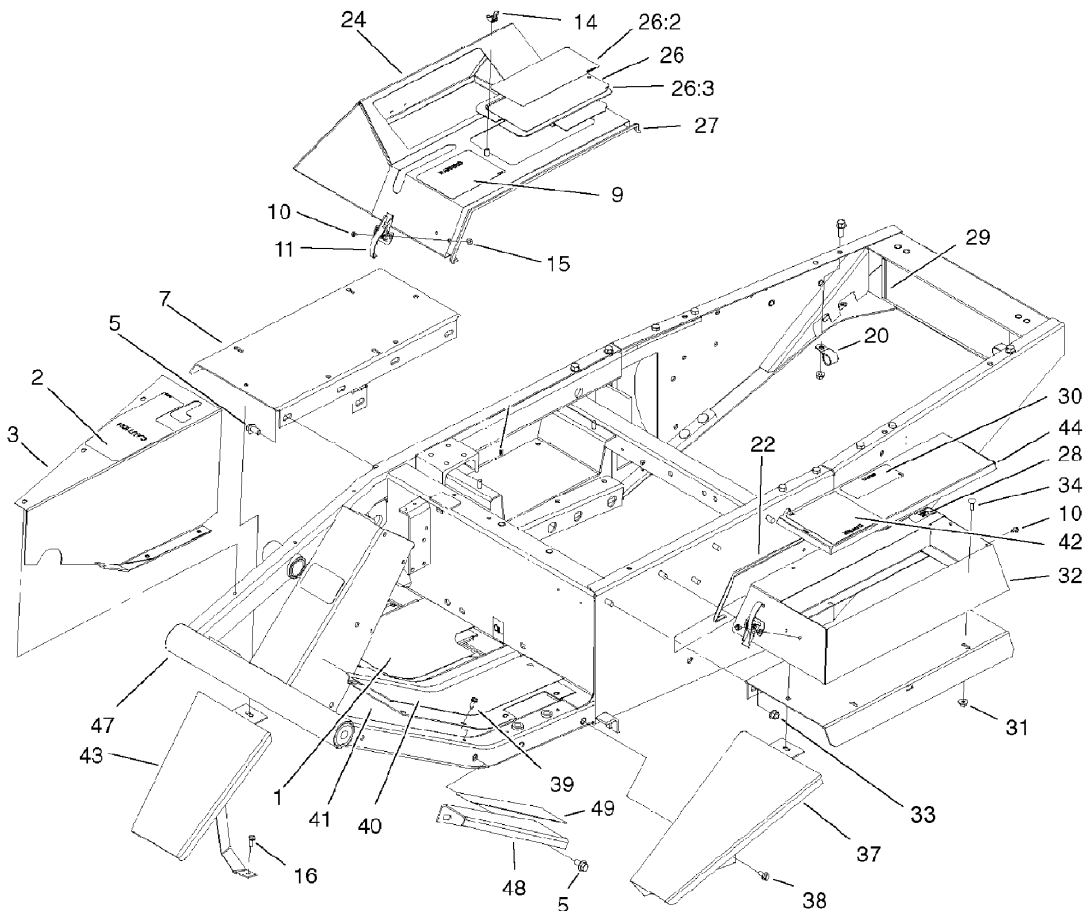
Part descriptions in this catalog may include the following abbreviations.

AR. ....	as required	HWHTF. ....	hex washer head thread forming
ASM. ....	assembly	HYD. ....	hydraulic
CARR. ....	carriage	INC. ....	incorporated
DEG. ....	degrees	LH. ....	left hand
EXT. ....	external	NI. ....	nylon insert
FH. ....	flat head	NPTF. ....	national pipe thread fine
GA. ....	gauge	PPH. ....	phillips pan head
HF. ....	hex flange	PPHTF. ....	phillips pan head thread forming
HH. ....	hex head	PRH. ....	phillips round head
HHF. ....	hex head flange	PTH. ....	phillips truss head
HHFTF. ....	hex head flange thread forming	PTO. ....	power take off
HJ. ....	hex jam	RH. ....	right hand
HLH. ....	hex lag head	ROPS. ....	roll over protection system
HOC. ....	height-of-cut	SFH. ....	slotted fillister head
HS. ....	hex	SHH. ....	slotted hex head
HSBH. ....	hex socket button head	SHWH. ....	slotted hex washer head
HSFH. ....	hex socket flat head	SPH. ....	slotted pan head
HSH. ....	hex socket head	SQH. ....	square head
HWH. ....	hex washer head		

## Footnotes

- ❶ Not illustrated
- ❸ Optional Equipment

- ❷ Not serviced separately

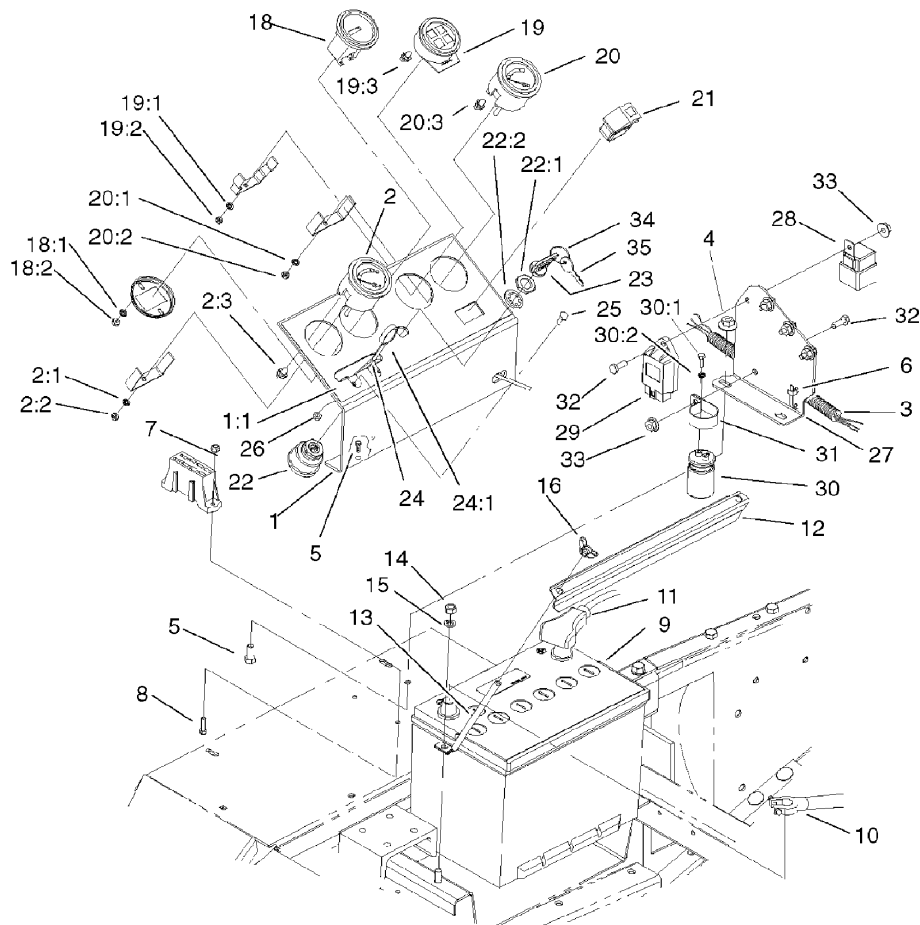


### Frame Assembly

Ref	Part No.	Qty.	Description
1	21-2770	1	Pad-Floor Plate, RH
2	105-7823	1	Decal-Caution
3	21-2660-01	1	Plate-Side
5	3234-12	5	Screw-HHF
7	105-2596-01	2	Fender ASM
9	107-2918	1	Decal-Danger
10	3290-144	9	Screw-SHWH
11	249-21	3	Clamp-Slotted
14	32103-2	1	Nut-Wing
15	3296-2	9	Nut-Lock
16	3234-33	1	Screw-HHF
20	2412-4	2	Clamp
22	37-9650	1	Trim-Box, Tool
24	38-4550-03	1	Cover-Instruments
26	105-2565	1	Battery Cover ASM
26:2	107-2927	1	Decal-Starting Instructions
26:3	92-7801	1	Shield-Cover, Battery
27	39-8020	1	Trim-Cover, Instrument
28	93-6680	1	Decal-Diesel
29	43-4300	2	Trim-Frame, Rear
30	93-7822	1	Decal-Refueling
31	32128-33	5	Nut-HF
32	93-3182-03	1	Box-Tool
33	3290-357	6	Nut-HHF

Ref	Part No.	Qty.	Description
34	3229-1	5	Screw-CARR
37	68-8610-01	1	Extension-Fender
38	3234-14	2	Screw-HHF
39	32144-10	11	Screw-HWH
40	21-2760	1	Pad-Plate Floor, LH
41	88-0070-01	1	Plate-Floor
42	93-7839	1	Decal-Danger
43	93-7626-01	1	Fender-RH
44	93-3177-03	1	Cover-Box, Tool
47	98-3879	1	Frame ASM
48	93-7410-01	1	Panel-Footrest
49	66-3200	1	Tread-Footrest, LH

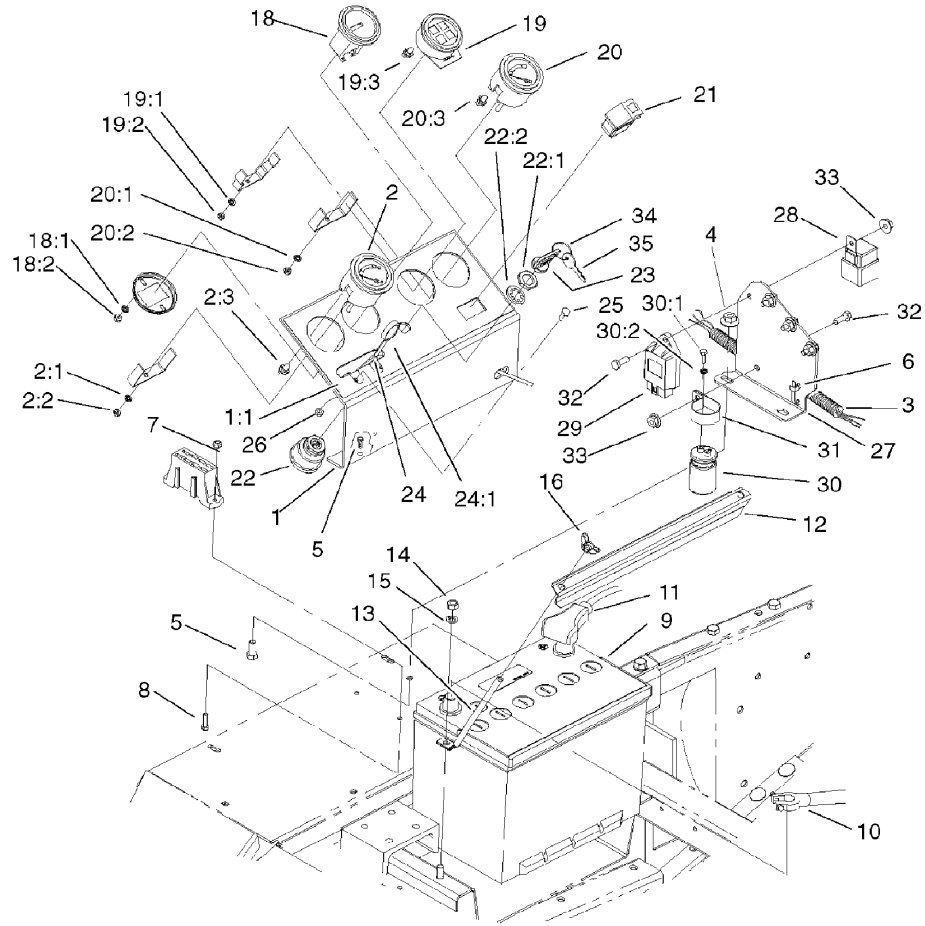




## Control Panel Assembly

Ref	Part No.	Qty.	Description
1	105-2917	1	Instrument Panel ASM
1:1	105-0056	1	Decal-Panel, Instrument
2	98-9339	1	Gauge-Fuel
2:1	3254-1	3	Washer-Lock, Int
2:2	3217-27	3	Nut-Hex
2:3	105-9265	1	Bulb And Lamp ASM
3	104-4065	1	Harness-Wire, Main
4	32128-30	4	Nut
5	322-3	4	Screw-HH
6	3290-379	2	Tie-Cable
7	3296-2	2	Nut-Lock
8	32105-13	2	Screw-SHH
9	106-5190	1	Battery
10	104-9497	1	Cable-Battery, Negative
11	95-8853	1	Cable-Battery, Positive
12	24-6420-03	1	Holddown-Battery
13	24-6390	2	Stud-Holddown, Battery
14	3217-6	2	Nut-Hex
15	3253-4	2	Washer-Lock
16	32103-2	2	Nut-Wing
18	66-2950	1	Gauge-Hourmeter
18:1	3255-20	2	Washer-Lock
18:2	3217-25	2	Nut-Hex
19	98-9306	1	Light-Warning

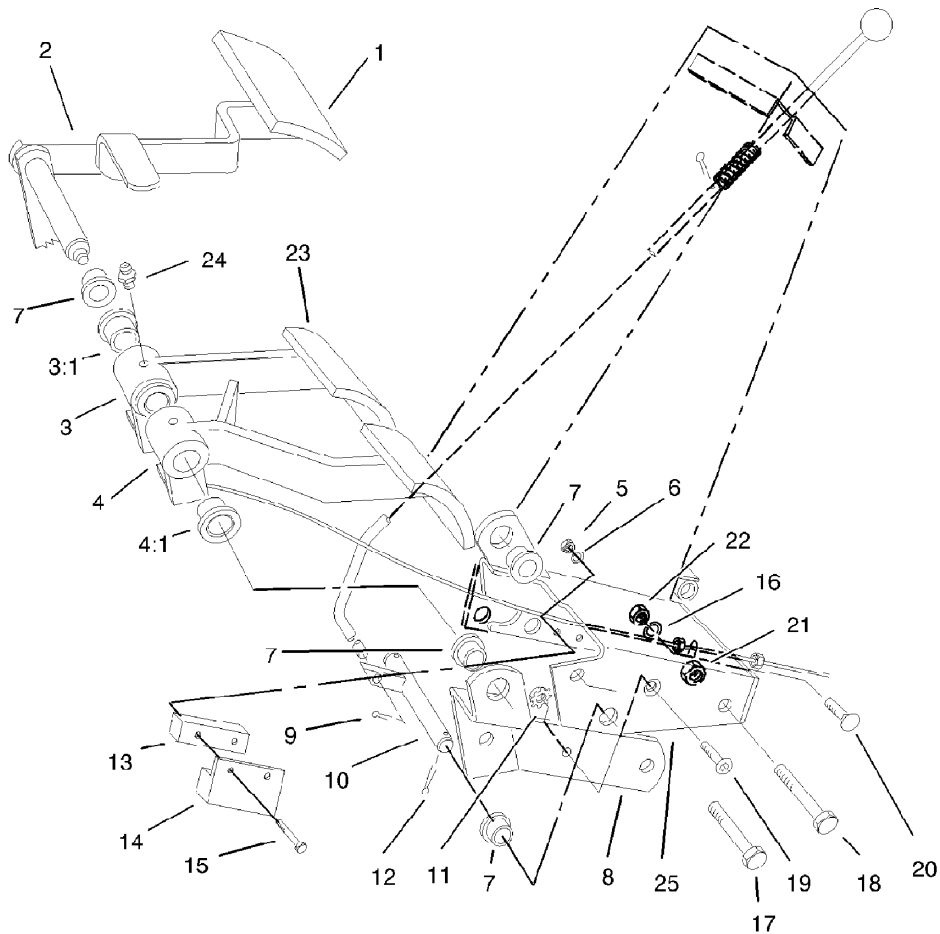
Ref	Part No.	Qty.	Description
19:1	3254-1	1	Washer-Lock, Int
19:2	3217-27	1	Nut-Hex
19:3	105-9264	4	Bulb And Lamp ASM
20	98-9308	1	Gauge-Temperature
20:1	3254-1	3	Washer-Lock, Int
20:2	3217-27	3	Nut-Hex
20:3	105-9265	1	Bulb And Lamp ASM
21	100-8072	1	Switch
22	104-2541	1	Switch-Key
22:1	218-461	1	Nut-HH
22:2	3254-5	1	Washer-Tooth
23	63-8360	1	Key-Ignition
24	43-3990	1	Control-Throttle
24:1	233-35	1	Knob
25	3290-134	2	Screw
26	3296-12	2	Nut-Lock
27	105-0002-01	1	Bracket-Relay
28	70-1480	4	Relay
29	107-9097	1	Glow Controller
30	37-2690	1	Capacitor
30:1	3252-18	2	Screw
30:2	3254-1	2	Washer-Lock, Int
31	2412-74	1	R-Clamp
32	321-4	5	Screw-HH



### Control Panel Assembly (continued)

Ref	Part No.	Qty.	Description
33	32128-33	5	Nut-HF
34	98-9321	1	Ring-Key
35	99-8970	1	Key-Latch, Hood

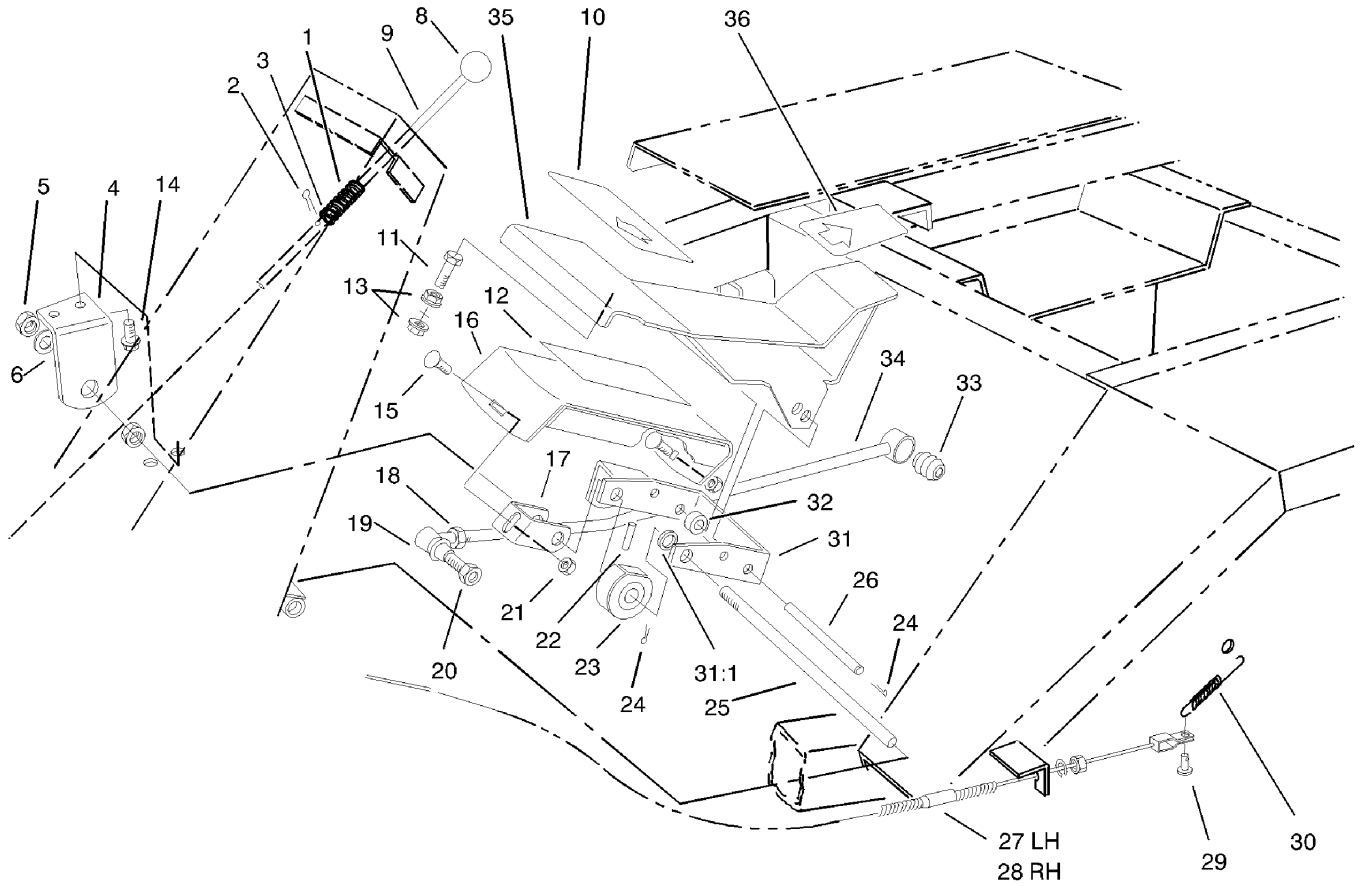
--	--	--	--



### Brake Pedal Assembly

Ref	Part No.	Qty.	Description
1	93-8742	1	Footpad-Brake
2	27-8550-01	1	Parking Brake Pedal ASM
3	27-7510	1	RH Brake Pedal ASM
3:1	256-10	2	Bushing-Flange
4	27-7490	1	LH Brake Pedal ASM
4:1	256-10	2	Bushing-Flange
5	3296-2	2	Nut-Lock
6	3256-51	4	Washer-Flat
7	256-156	4	Bushing-Flange
8	27-9270-01	1	Mount-Brake
9	3272-5	2	Pin-Cotter
10	105-0065	1	Parking Brake Shaft ASM
11	32149-2	1	Nut-Keps
12	3272-6	2	Pin-Cotter
13	105-0064	1	Spacer-Switch
14	100-1270	1	Switch-Proximity
15	3290-360	2	Screw-HH
16	3253-21	2	Washer-Lock
17	323-13	1	Screw-HH
18	323-14	1	Screw-HH
19	3274-47	1	Screw-HSFH
20	3231-21	2	Screw-CARR
21	32153-2	2	Nut-Lock, Side
22	3217-7	2	Nut-Hex

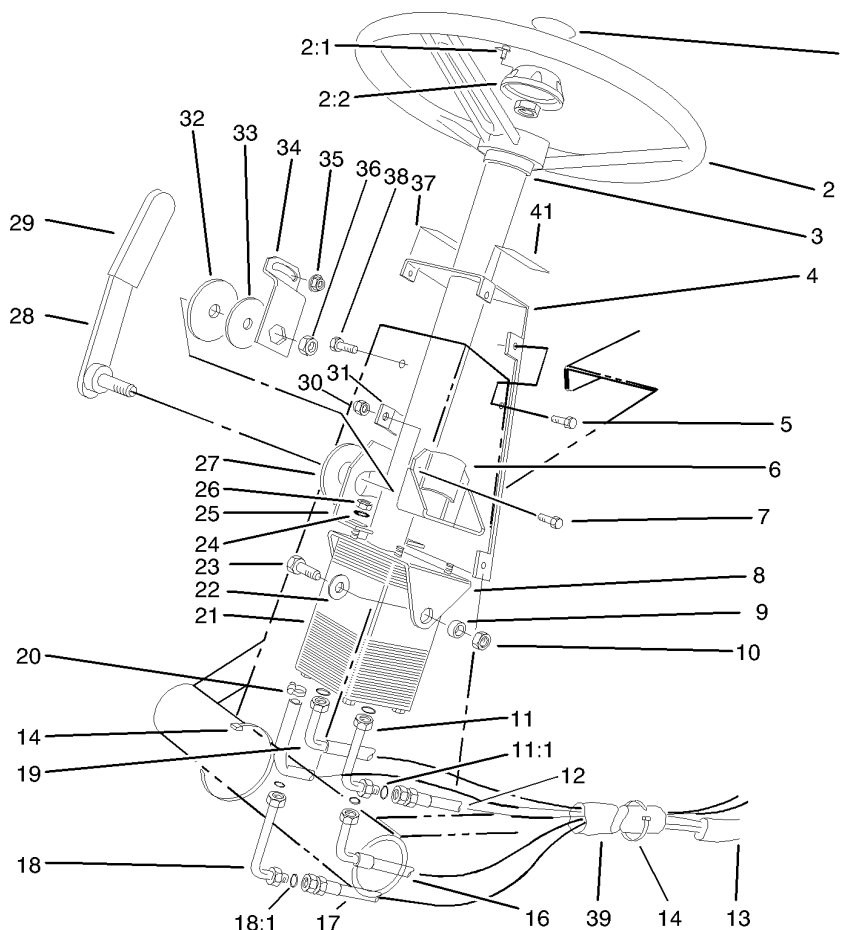
Ref	Part No.	Qty.	Description
23	93-8743	2	Footpad-Turn
24	302-5	2	Fitting-Grease
25	105-0066-01	1	Brake Pedal Mount ASM



## Traction Pedal Assembly

Ref	Part No.	Qty.	Description
1	95-1821-03	1	Spring-Compression
2	3272-5	1	Pin-Cotter
3	3256-22	1	Washer-Flat
4	21-2850-01	1	Mount-Pedal, RH
5	3218-5	2	Nut-Jam
6	3256-26	1	Washer-Flat
8	233-17	1	Knob
9	82-8670	1	Rod-Latch, Brake
10	94-3307	1	Pad-Pedal, Traction
11	323-15	1	Screw-HH
12	88-1720	1	Pad-Footrest
13	32128-43	2	Nut-Flange
14	11-0590	2	Screw-HWHTF
15	3230-1	2	Bolt-CARR
16	88-1710-01	1	Footrest ASM
17	88-1680-01	1	Bracket-Footrest
18	3220-5	1	Nut-Jam
19	21-0141	1	RH Ball Joint ASM
20	3220-3	2	Nut-Jam
21	32128-20	2	Nut-HF
22	32121-6	1	Pin-Roll, Slotted
23	28-5220	1	Friction Wheel ASM
24	3272-6	4	Pin-Cotter
25	88-1650	1	Shaft-Pedal, Traction

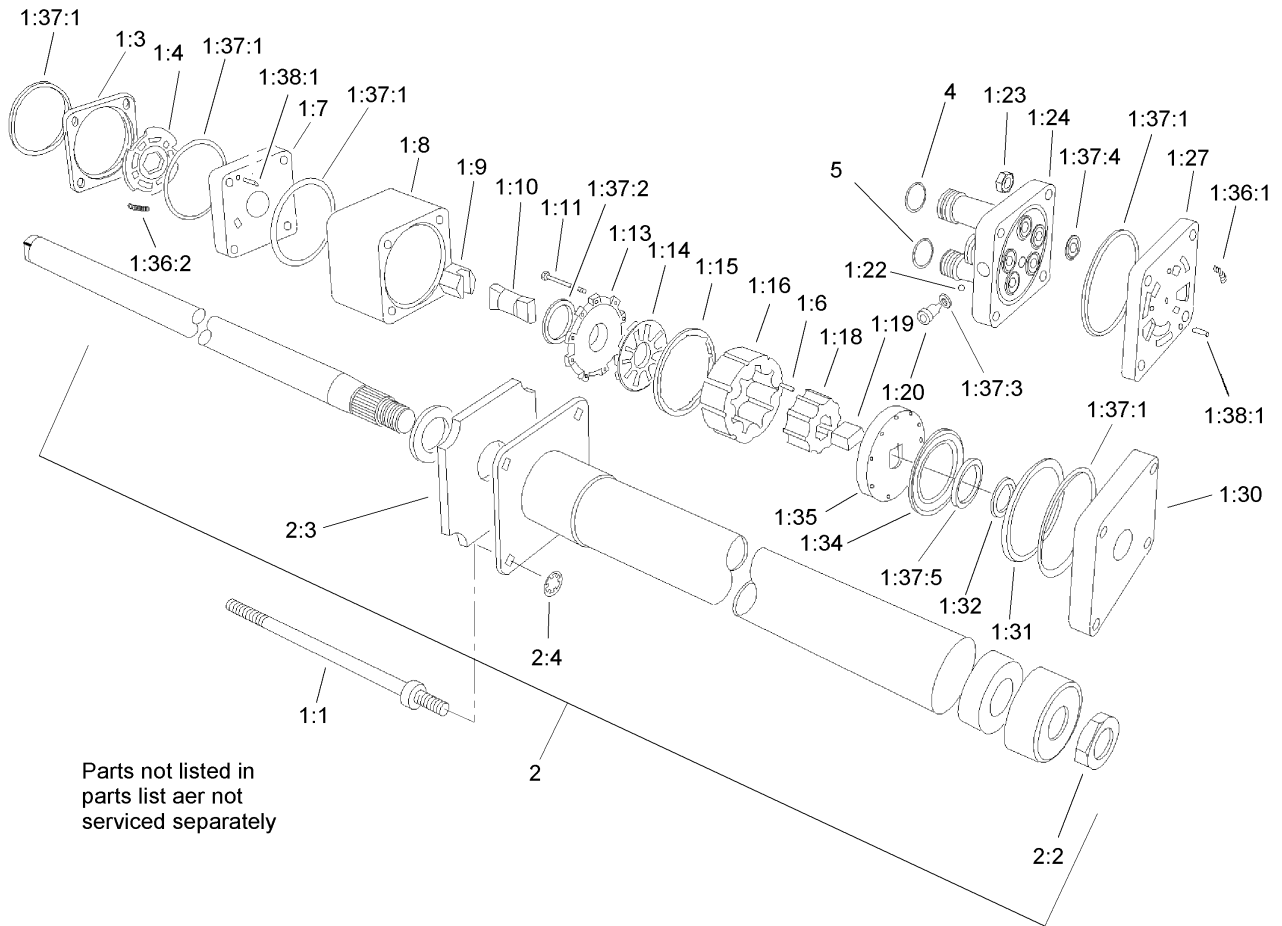
Ref	Part No.	Qty.	Description
26	88-1640	1	Pin-Pedal, Traction
27	108-1380	1	LH Brake Cable ASM
28	108-1379	1	RH Brake Cable ASM
29	283-58	2	Pin-Clevis
30	3-7243	2	Spring-Extension
31	88-1670	1	Pivot Bracket ASM
31:1	256-156	2	Bushing-Flange
32	88-0470	1	Tube-Spacer, Pedal
33	23-2270	1	Bushing-Rubber
34	23-2240-03	1	Pump Control Tube ASM
35	94-3304-01	1	Support-Pedal
36	94-3308	1	Pad-Pedal, Traction



## Power Steering Assembly

Ref	Part No.	Qty.	Description
1	68-5370	1	Decal
2	75-0560	1	Wheel-Steering
2:1	32144-21	1	Screw
2:2	68-5140	1	Cap-Wheel, Steering
3	21-9260	1	Cover-Dust
4	82-8660-01	1	Cover-Tower
5	32144-10	6	Screw-HWH
6	67-8690-03	1	Support-Column
7	322-5	2	Screw-HH
8	77-3120-01	1	Bracket-Mounting, Column
9	80-2960	2	Spacer-Tower
10	3296-39	2	Nut-Lock, NI
11	82-8760	1	Elbow-HYD
11:1	237-30	1	O-Ring
12	63-8970	1	Hose-HYD
13	70-1390	1	Sleeve-Protective
14	3290-379	4	Tie-Cable
16	68-9730	1	Hose-Steering, HYD
17	68-9720	1	Hose-Steering, HYD
18	82-8770	1	Elbow-HYD
18:1	237-22	1	O-Ring
19	63-8980	1	Hose-HYD
20	2412-36	1	Clamp-Hose
21	108-6557	1	Steer Valve And Column ASM

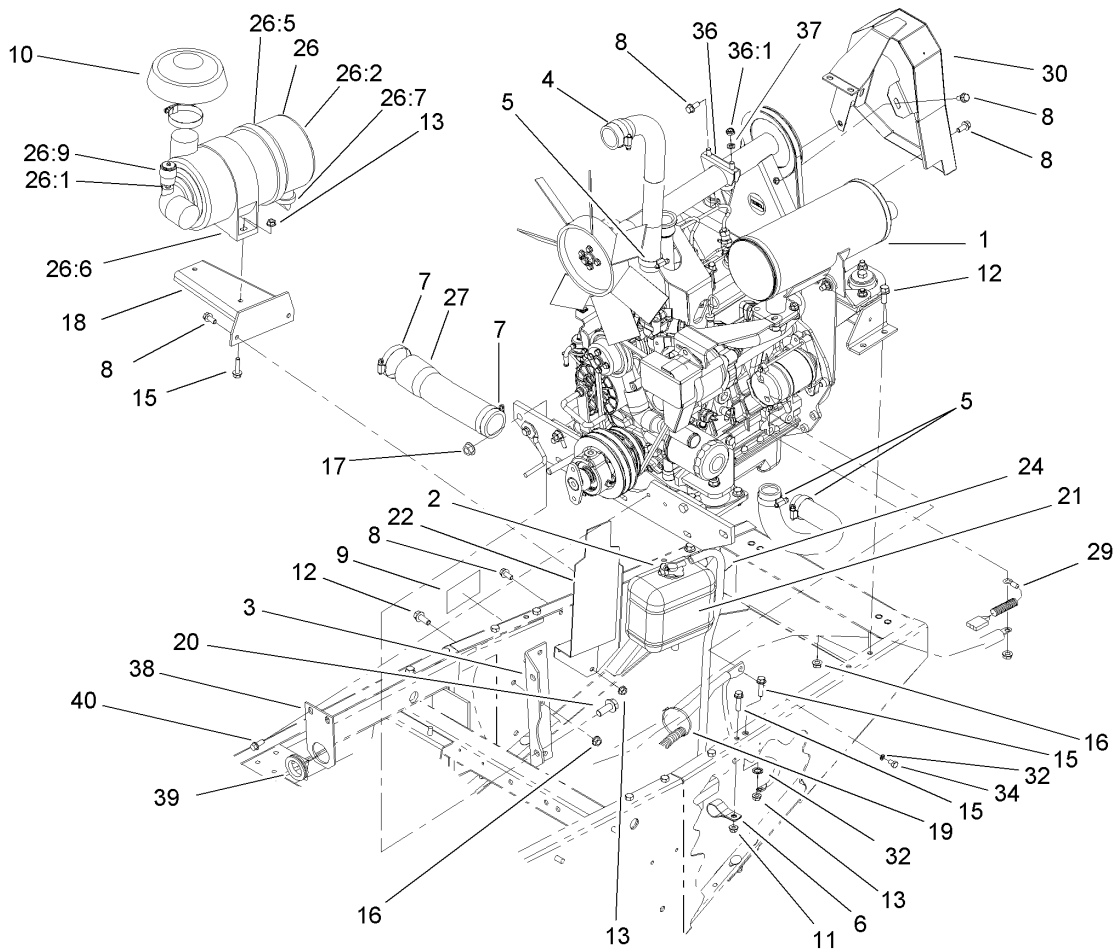
Ref	Part No.	Qty.	Description
22	3256-46	2	Washer-Flat
23	323-6	2	Screw-HH
24	3256-3	4	Washer-Flat
25	80-2940-03	1	Plate-Pivot
26	3296-20	4	Nut-Lock, NI
27	31-0390	1	Disc-Friction
28	93-1353-03	1	Lever-Steering, Tilt
29	21-1880	2	Grip-Handle
30	3296-29	2	Nut-Lock, NI
31	82-8650	1	Clamp-Column
32	82-9010	1	Disc-Friction
33	80-2930	1	Washer-Flat
34	80-2880	1	Bracket-Tilt
35	32128-20	1	Nut-HF
36	3218-7	1	Nut-Jam
37	82-8940	1	Decal-Steering, Tilt
38	322-4	1	Screw-HH
39	70-1380	1	Sleeve-Protective
41	93-7831	1	Decal-Brake, Parking



## Power Steering Unit Assembly No. 108-6557

Ref	Part No.	Qty.	Description
1:1	92-7310	4	Bolt-Special
②1:3		1	Ring-Valve
②1:4		1	Plate-Valve
②1:6		9	Pin-Alignment
②1:7		1	Manifold-Isolation
②1:8		1	Ring-Metering
②1:9		1	Hex Drive ASM
②1:10		1	Link-Drive
②1:11		11	Screw-HSH
②1:13		1	Cover-Commutator
②1:14		1	Commutator
②1:15		1	Ring-Commutator
②1:16		1	Stator
②1:18		1	Rotor
②1:19		1	Spacer-Link, Drive
②1:20		1	Plug
②1:22		1	Ball
②1:23		4	Nut-Hex
②1:24		1	Cover-Port
②1:27		1	Manifold-Port
②1:30		1	Plate-Cover, Upper
②1:31		1	Spacer-Bearing, Thrust
②1:32		1	Spacer-Seal
②1:34		1	Bearing-Thrust
②1:35		1	Plate-Drive

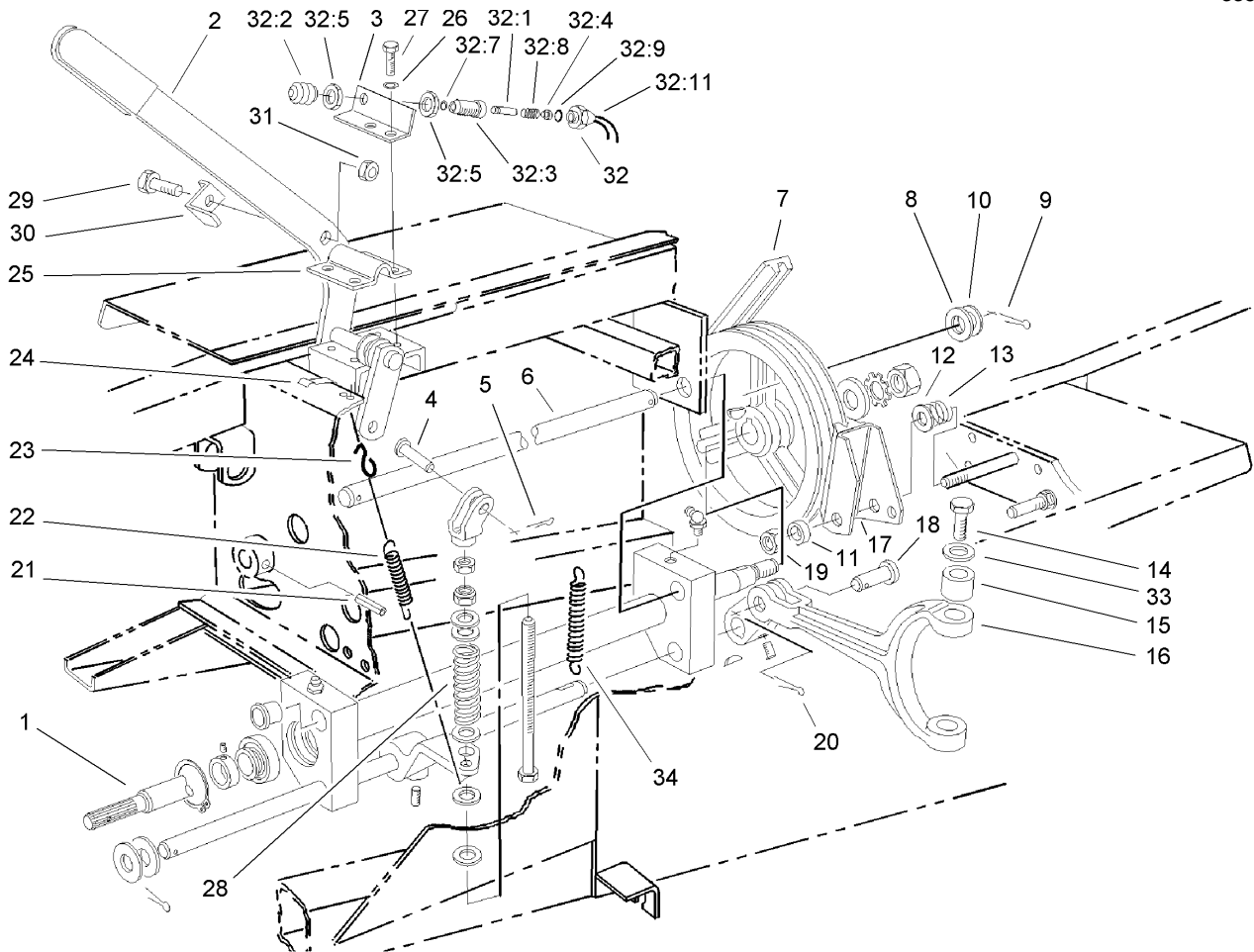
Ref	Part No.	Qty.	Description
①1:36	66-9970	1	Spring Kit
②1:36:1		3	Spring
②1:36:2		3	Spring
①1:37	66-9980	1	Seal Kit
②1:37:1		5	Ring-Seal
②1:37:2		1	Seal-Commutator
②1:37:3		1	O-Ring
②1:37:4		5	O-Ring
②1:37:5		1	Seal-Face
①1:38	66-9990	1	Needle Roller Kit
②1:38:1		9	Pin-Alignment
2	108-6560	1	Column ASM
2:2	3220-6	1	Nut-Jam
2:3	92-7317	1	Seal-Foam, Upper Cover
2:4	92-7316	4	Nut-Push On
4	237-30	2	O-Ring
5	237-22	2	O-Ring



## Engine Installation Assembly

Ref	Part No.	Qty.	Description
1		1	Engine ASM
2	2412-108	2	Clamp-Worm
3	67-8190-01	2	Bracket-Support, Engine
4	2412-3	1	Clamp-Hose
5	2412-111	3	Clamp
6	98-3883	1	Clamp-Wire
7	2412-130	2	Clamp-Hose
8	3234-5	9	Screw-HHF
9	93-7275	1	Decal-Fluid, Starting
10	105-2539	1	Cap ASM
11	104-8300	1	Nut-Flange, NI
12	3234-11	10	Screw-HHF
13	32128-20	6	Nut-HF
15	3234-36	4	Screw-HHF
16	3290-357	10	Nut-HHF
17	32128-23	2	Nut-HF
18	98-4518-03	1	Bracket-Cleaner, Air
19	3290-378	1	Tie-Cable
20	3234-32	2	Screw-HHF
21	104-9318	1	Bottle-Overflow
22	105-0050-03	1	Reservoir Bracket ASM
24	63-7630	1	Hose-Fuel
26	104-3428	1	Air Cleaner ASM
26:1	105-4292	1	Nipple-Pipe

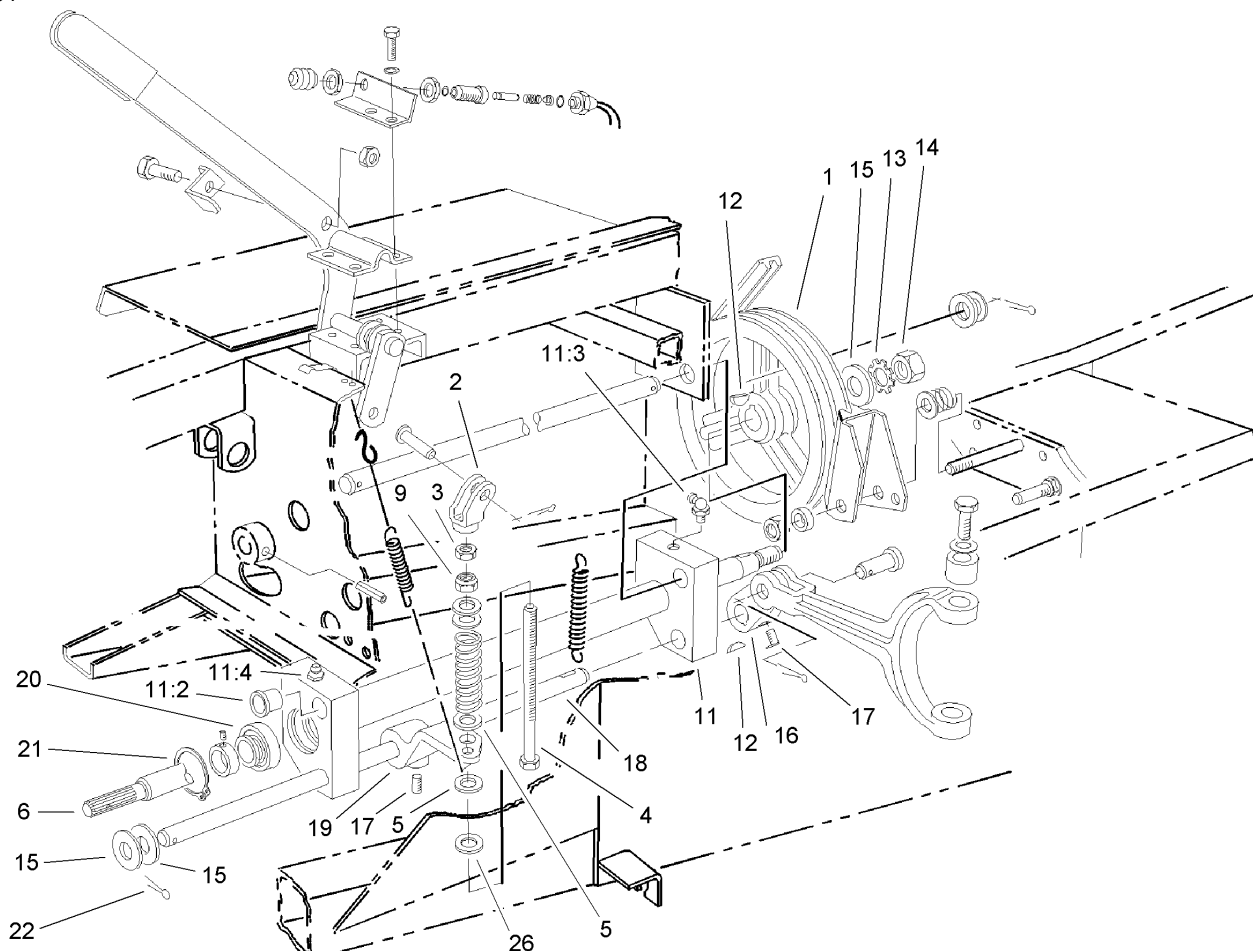
Ref	Part No.	Qty.	Description
26:2	104-0497	1	Cover ASM
26:5	104-4897	1	Gasket
26:6	98-4525	1	Bracket-Cleaner, Air
26:7	104-0498	1	Valve-Vacuator
26:8	108-3810	1	Filter-Air
26:9	93-9164	1	Indicator-Mini
27	104-3434	1	Hose-Inlet, Air
29	99-3441	1	Harness-Wire, Fusible Link
30	105-7807-03	1	Guard-Belt, Fan
32	3254-6	2	Washer-Lock, Internal
34	70-8470	1	Screw-HH
36	2112-6	1	Clamp-Muffler
36:1	3218-2	2	Nut-Jam
37	3253-4	2	Washer-Lock
38	104-3774-03	1	Bracket-Bulkhead
39	240-7	1	Grommet-Rubber
40	32144-11	2	Screw-HWHTF



## Power-Take-Off and Shaft Assembly

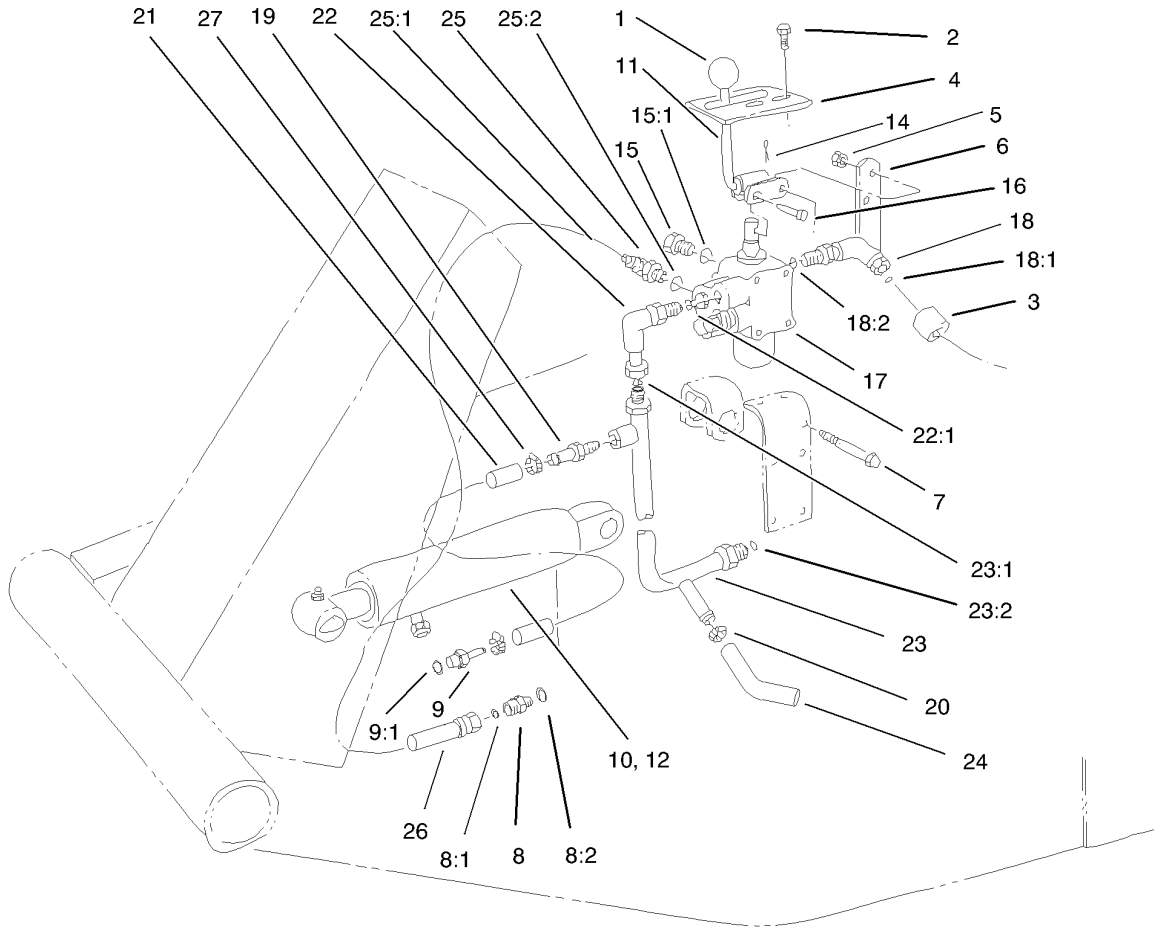
Ref	Part No.	Qty.	Description
1		1	PTO ASM
2	84-8500-01	1	Lever-PTO
3	84-8520-01	1	Bracket-Switch, PTO
4	283-42	1	Pin-Clevis
5	3272-6	1	Pin-Cotter
6	43-3860	1	Shaft-Pivot, PTO
7	106-4383	1	V-Belt
8	3256-28	1	Washer-Flat
9	3272-22	1	Pin-Cotter
10	3-6498	3	Washer-Thrust
11	3-8812	1	Spacer-Spring, Anchor
12	3256-6	1	Washer
13	5-1747	1	Spring-Adjustment
14	92-5727	2	Screw-Lock, Patch
15	92-5723	2	Bushing-Fork, PTO
16	92-4060-03	1	Fork-PTO
17	27-7370	1	PTO Brake ASM
18	93-3769	1	Pin-Clevis
19	3296-28	1	Nut-Lock, NI
20	3272-11	1	Pin-Cotter
21	32121-9	1	Pin-Roll, Slotted
22	21-1830	1	Spring-Extension
23	5-0701	1	Anchor
24	212-93	3	Clamp-Casing

Ref	Part No.	Qty.	Description
25	21-1600	1	Clamp-Lever, PTO
26	3253-21	4	Washer-Lock
27	32104-6	4	Screw-HH
28	21-0400-01	1	Spring-Compression
29	321-4	1	Screw-HH
30	86-7050	1	Bracket-Switch, Actuator
31	3296-16	1	Nut-Lock, NI
32	43-9071	1	Limit Switch ASM
32:1	43-8860	1	Plunger-Switch
32:2	43-8870	1	Boot-Switch
32:3	43-8620	1	Pin-Guide, Switch
32:4	43-8610	1	Guide
32:5	218-461	2	Nut-HH
32:7	237-7	1	O-Ring
32:8	43-8600	1	Spring-Compression
32:9	237-30	1	O-Ring
32:11	72-4320	1	Switch-Ball
33	75-9890	2	Washer-Shim
34	108-1368	1	Spring-Extension



### Power-Take-Off Assembly

Ref	Part No.	Qty.	Description
1	21-0230	1	Pulley-PTO
2	43-5630	1	Yoke-PTO
3	3219-3	1	Nut-Hex
4	27-7900	1	Screw-Adjusting
5	3256-41	4	Washer-Flat
6	43-5540	1	Shaft-PTO
9	3296-6	1	Nut-Lock
11	100-6599	1	PTO Pivot ASM
11:2	256-113	4	Bushing-Flange
11:3	302-10	1	Fitting-Grease
11:4	302-2	1	Fitting-Grease
12	3257-5	3	Key-Woodruff
13	3254-7	1	Washer-Lock, Int
14	3219-7	1	Nut-Hex
15	3256-28	3	Washer-Flat
16	92-4058	1	Arm-PTO
17	3246-3	4	Screw-HS
18	43-5550	1	Shaft-Actuator, PTO
19	43-5570	1	Arm-Actuator
20	251-252	2	Bearing
21	32120-22	2	Ring-Snap, Internal
22	3272-22	1	Pin-Cotter
26	5-0652	1	Spacer

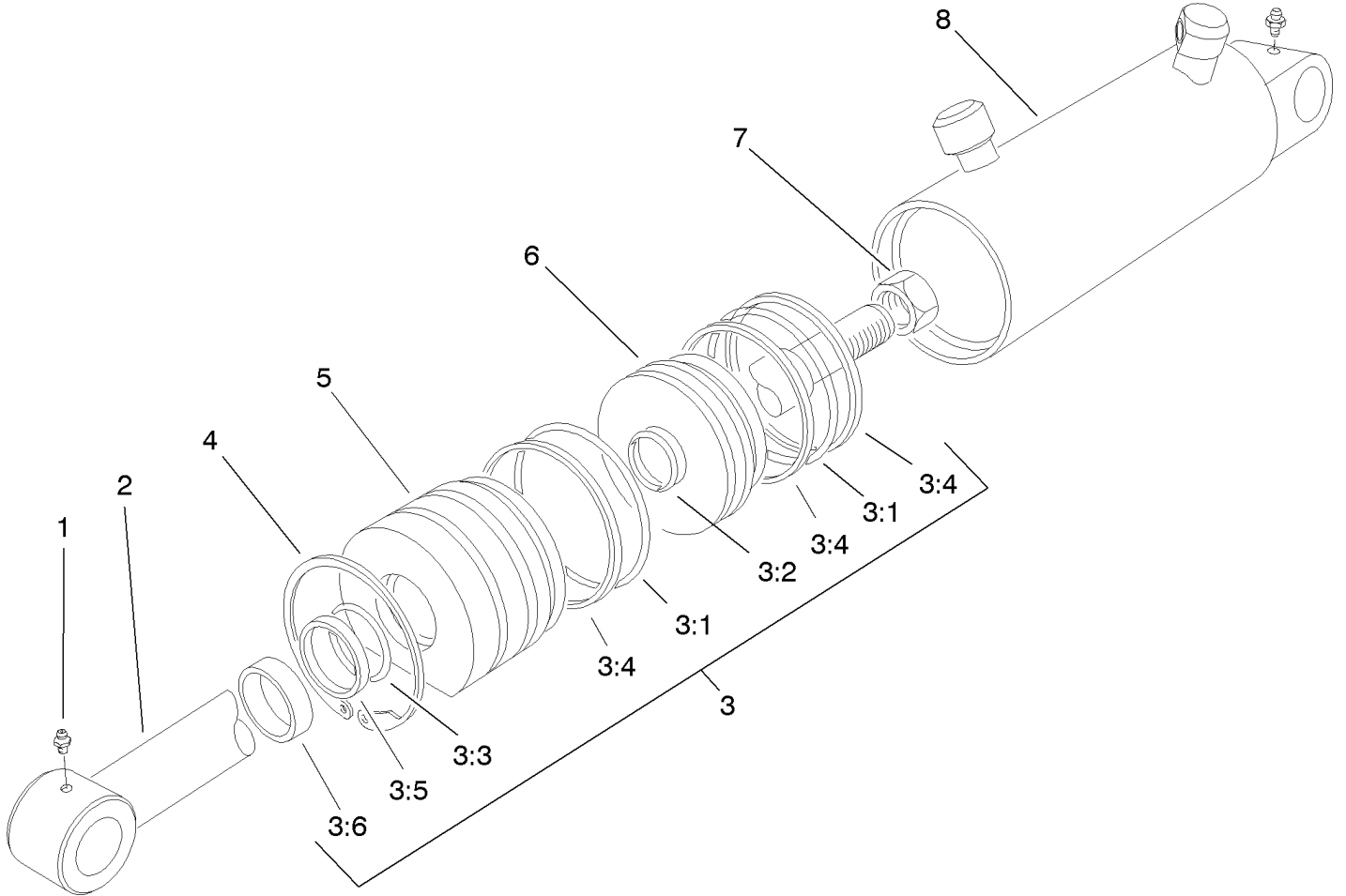



## Valve and Cylinder Assembly

Ref	Part No.	Qty.	Description
1	233-21	1	Knob
2	32144-10	2	Screw-HWH
3	38-3400	1	Guard-Rubber
4	105-7806	1	Latch-Lever, Valve
5	3296-42	5	Nut-Lock, NI
6	21-9010	1	Lever-Valve, Pivot Mount
7	321-23	5	Screw-HH
8	340-2	1	Fitting-HYD, Straight
8:1	237-22	1	O-Ring
8:2	237-42	1	O-Ring
9	95-8849	1	Fitting-Straight, HYD
9:1	237-78	1	O-Ring
10	100-6586	1	Cylinder-HYD, 2.5In
11	105-7839-03	1	Valve Lever ASM
12	100-6591	1	Cylinder-HYD, 3In
14	3272-6	1	Pin-Cotter
15	353-512	1	Plug
15:1	237-78	1	O-Ring
16	283-17	1	Pin-Clevis
17	106-8071-01	1	Valve ASM
18	340-99	1	Fitting-HYD-90
18:1	237-30	1	O-Ring
18:2	237-42	1	O-Ring
19	304-73	1	Connector-Hose

Ref	Part No.	Qty.	Description
20	2412-36	1	Clamp-Hose
21	92-7834	1	Hose
22	340-110	1	Fitting-Swivel, 90 DEG
22:1	237-42	1	O-Ring
23	63-9260	1	Manifold-Valve
23:1	237-22	1	O-Ring
23:2	237-30	1	O-Ring
24	63-8990	1	Hose-Out/Cool
25	340-97	1	Fitting-HYD, 90 DEG
25:1	237-22	1	O-Ring
25:2	237-78	1	O-Ring
26	92-7833	1	Hose ASM
27	2412-108	2	Clamp-Worm



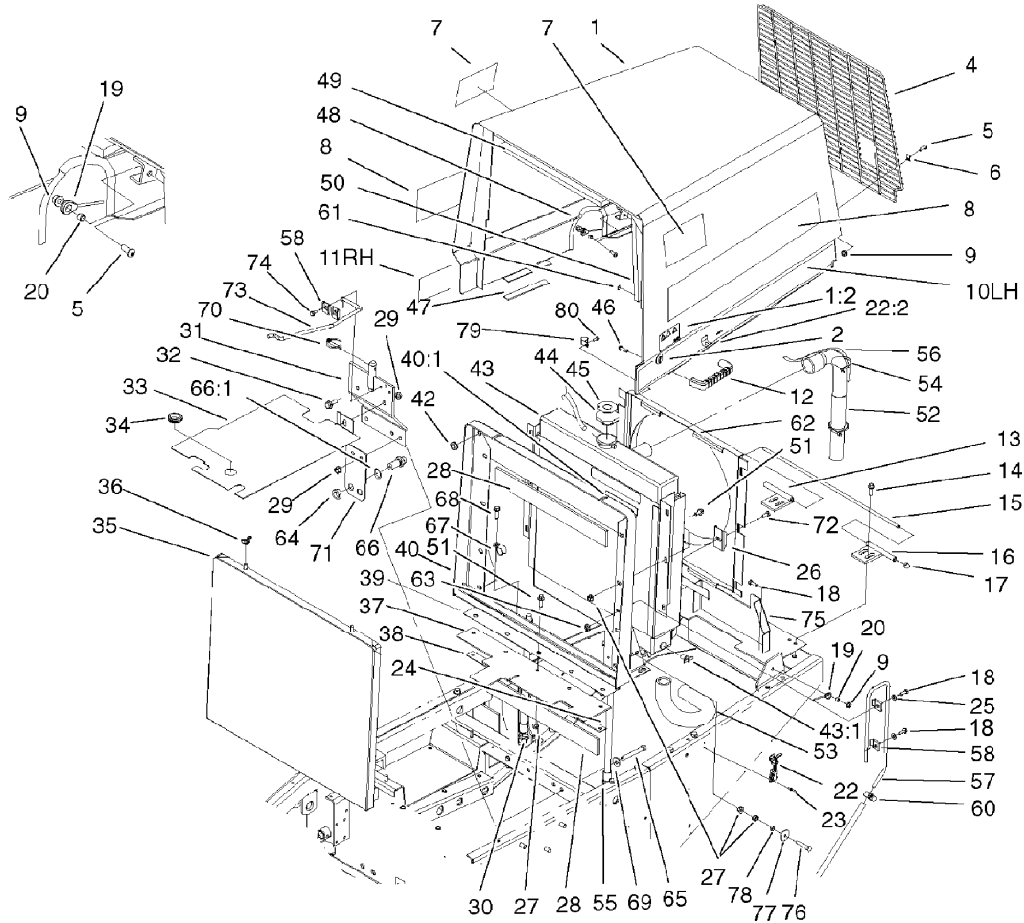


## Hydraulic Cylinder Assembly No. 100-6591 (3in Bore) (Optional)

Ref	Part No.	Qty.	Description
1	302-55	2	Fitting-Grease
2		1	Shaft
3	67-5500	1	Seal Kit
3:1		2	O-Ring
3:2		1	O-Ring
3:3		1	O-Ring
3:4		3	Backup
3:5		1	Backup
3:6		1	Seal-Dust
4	67-5470	1	Ring-Snap
5		1	Head
6		1	Piston
7		1	Nut
8		1	Barrel

--	--	--	--

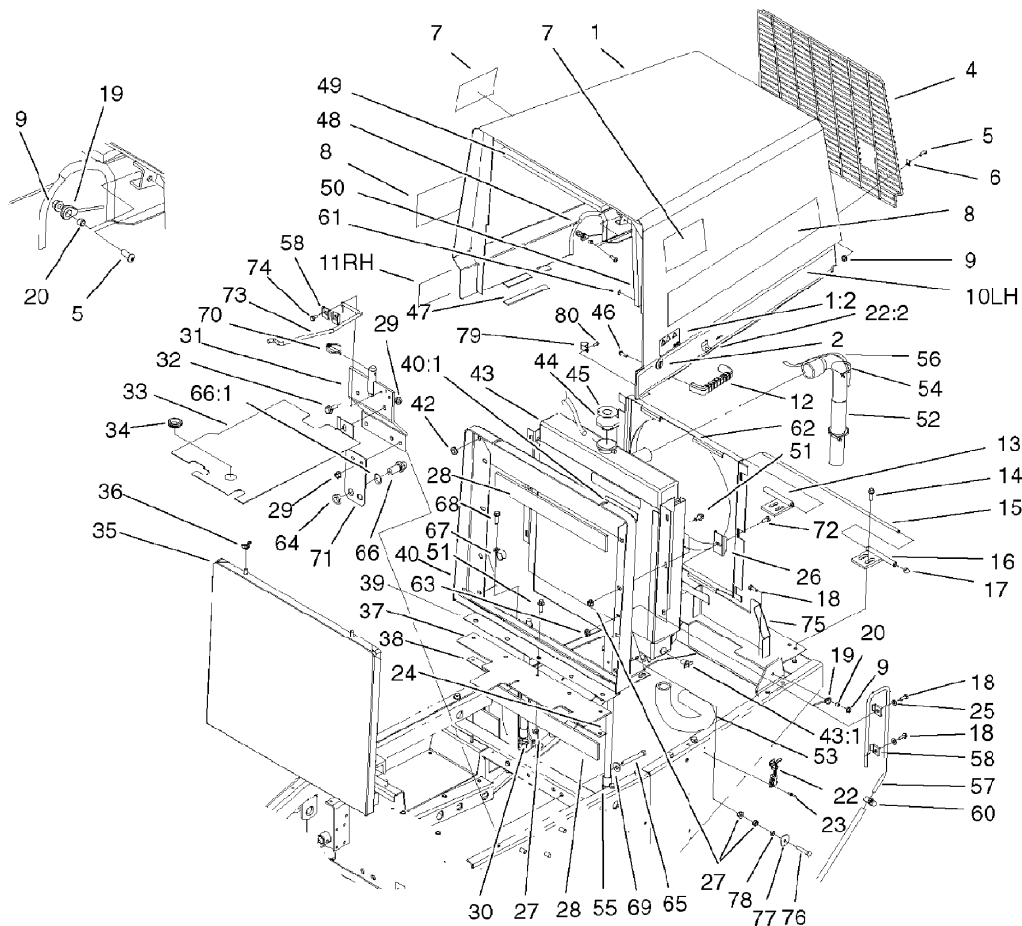




## Radiator and Hood Assembly

Ref	Part No.	Qty.	Description
1	105-4282	1	Hood
1:2	106-6754	1	Decal-Danger
2	98-5398	1	Latch
4	105-0059-03	1	Hood-Screen, Rear
5	3274-69	6	Screw-HSBH
6	2412-127	4	Clamp-R
7	66-6140	2	Decal
8	106-4394	2	Decal
9	32128-32	8	Nut-HHF
10	77-5141	1	Decal-Hood, LH
11	77-5151	1	Decal-Hood, RH
12	65-5100	1	Handle-Door
13	67-8820-01	1	RH Hinge ASM
14	3234-17	4	Screw-HHF
15	67-8840	1	Hinge-Rod
16	67-8810-01	1	LH Hinge ASM
17	32111-8	2	Nut-Lock, Cap
18	321-4	4	Screw-HH
19	77-3170	2	Cable-Hood
20	77-5250	4	Spacer-Cable, Hood
22	59-9740	1	Flex Draw Latch ASM
22:2	249-40	1	Keeper
23	3290-55	4	Rivet-Pop
24	63-9010	1	Hose-Coolant, Transmission

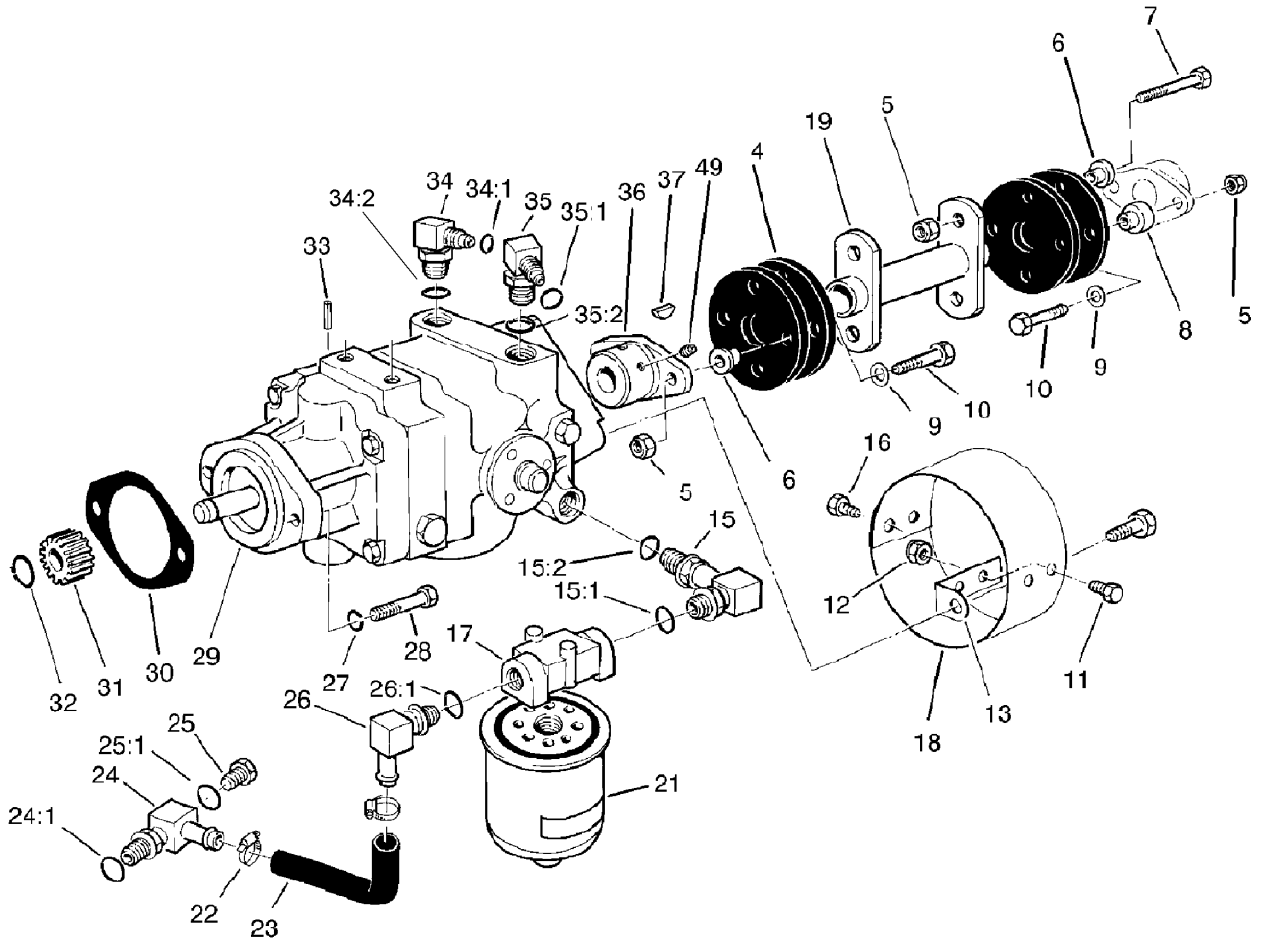
Ref	Part No.	Qty.	Description
25	3256-22	2	Washer-Flat
26	105-0012-03	6	Clip-Mounting, Fan Shroud
27	32128-20	15	Nut-HF
28	43-3320	2	Foam-Radiator
29	32128-21	4	Nut-HF
30	63-8960	1	Hose
31	105-2542-01	1	Bracket-Support, Seat
32	3234-11	1	Screw-HHF
33	105-2544-01	1	Plate-Sealing
34	240-5	1	Grommet
35	67-9030-03	1	Grille ASM
36	32103-2	2	Nut-Wing
37	67-8570	1	Strip-Sealing
38	67-8470-03	1	Strip-Retainer
39	105-4264-03	1	Grill-Plate, Sealing
40	105-4293	1	Radiator Support ASM
40:1	93-7272	3	Decal-Warning
42	237-141	2	Grommet-Rubber
43	108-8699	1	Radiator Assembly
43:1	304-46	1	Draincock
44	66-3240	1	Cap-Radiator
45	106-5976	1	Decal-Warning
46	46-8091	2	Screw-HWH
47	82-8950	2	Foam



### Radiator and Hood Assembly (continued)

Ref	Part No.	Qty.	Description
48	66-8111	1	Trim-Hood
49	77-5170	1	Foam-Top
50	77-5160	1	Foam-Side, LH
51	3234-14	13	Screw-HHF
52	104-3433	1	Hose-Radiator, Top
53	104-3432	1	Hose-Radiator, Bottom
54	3290-379	6	Tie-Cable
55	38-3400	1	Guard-Rubber
56	104-0076	1	Hose-Fuel
57	105-4265	1	Tube-Vent
58	3-6657	4	Clip-Skid
60	2412-108	1	Clamp-Worm
61	3269-10	2	Washer-Back
62	105-0007-03	1	Fan Shroud ASM
63	32128-33	1	Nut-HF
64	340-70	2	Nut-Lock
65	323-14	3	Screw-HH
66	340-71	2	Fitting-Straight, Bulkhead
66:1	237-22	2	O-Ring
67	2412-4	1	Clamp
68	11-0590	1	Screw-HWHTF
69	5-0838	3	Washer
70	283-76	1	Pin-Lynch
71	68-9160	1	Bracket

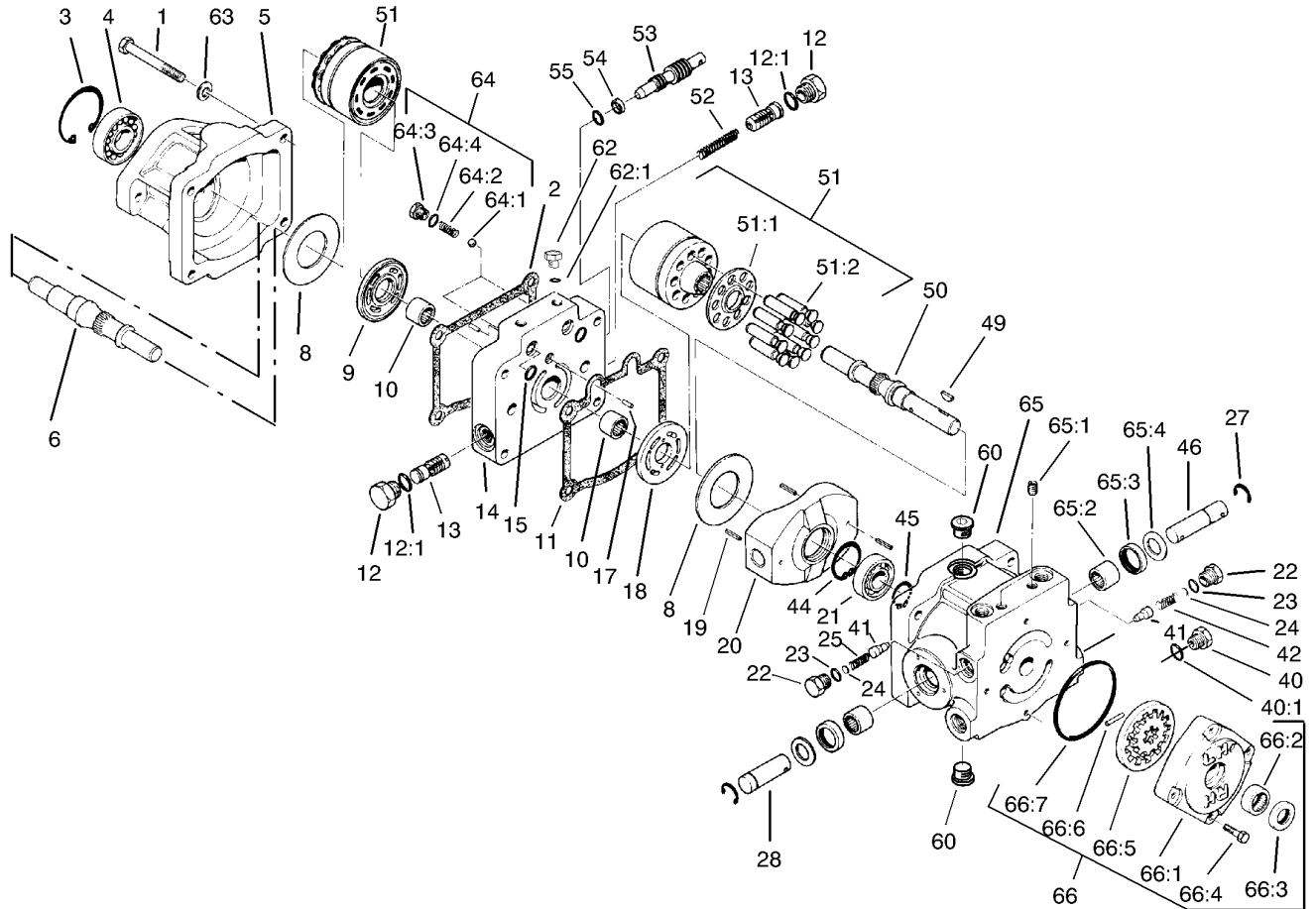
Ref	Part No.	Qty.	Description
72	3234-33	6	Screw-HHF
73	86-7040	1	Rod-Prop, Seat
74	32144-10	2	Screw-HWH
75	105-4255-01	1	Pulley Guard ASM
76	322-41	1	Screw-HH
77	3256-57	1	Washer-Flat
78	3296-47	1	Nut-Lock, NI
79	2412-83	1	Clamp-Cable
80	32144-1	1	Screw-Taptite



## Transmission Assembly

Ref	Part No.	Qty.	Description
4	44-2230	4	Coupling-Rubber
5	32152-1	8	Nut-Lock, Cone
6	71-4411	4	Spacer
7	322-8	4	Screw-HH
8	71-4410	4	Spacer
9	3256-3	4	Washer-Flat
10	322-10	4	Screw-HH
11	321-2	2	Screw-HH
12	3296-42	4	Nut-Lock, NI
13	54-9290	2	Bracket-Mounting
15	68-8660	1	Fitting-HYD, 90 DEG
15:1	237-80	1	O-Ring
15:2	237-81	1	O-Ring
16	321-4	2	Screw-HH
17	68-8990	1	Filter Head ASM
18	54-9300-03	1	Cover-Shaft, Pump
19	105-0033-03	1	Drive Shaft ASM
21	23-9740	1	Filter-Oil
22	2412-34	2	Clamp-Hose
23	68-9650	1	Hose-Axle
24	70-2620	1	Fitting-HYD, 90 DEG
24:1	237-81	1	O-Ring
25	353-508	1	Plug
25:1	237-42	1	O-Ring

Ref	Part No.	Qty.	Description
26	353-987	1	Fitting-HYD, 90 DEG
26:1	237-81	1	O-Ring
27	3253-21	2	Washer-Lock
28	323-7	2	Screw-HH
29	92-8947	1	Transmission ASM
30	41-8760	1	Gasket
31	86-7220	1	Gear-Pinion
32	32120-72	1	Ring-Snap
33	32121-6	1	Pin-Roll, Slotted
34	340-77	1	Fitting-HYD, 90 DEG
34:1	237-22	1	O-Ring
34:2	237-42	1	O-Ring
35	340-99	1	Fitting-HYD-90
35:1	237-30	1	O-Ring
35:2	237-42	1	O-Ring
36	33-4380	1	Hub-Pump
37	3257-32	1	Key-Woodruff
49	3241-5	2	Screw-Set

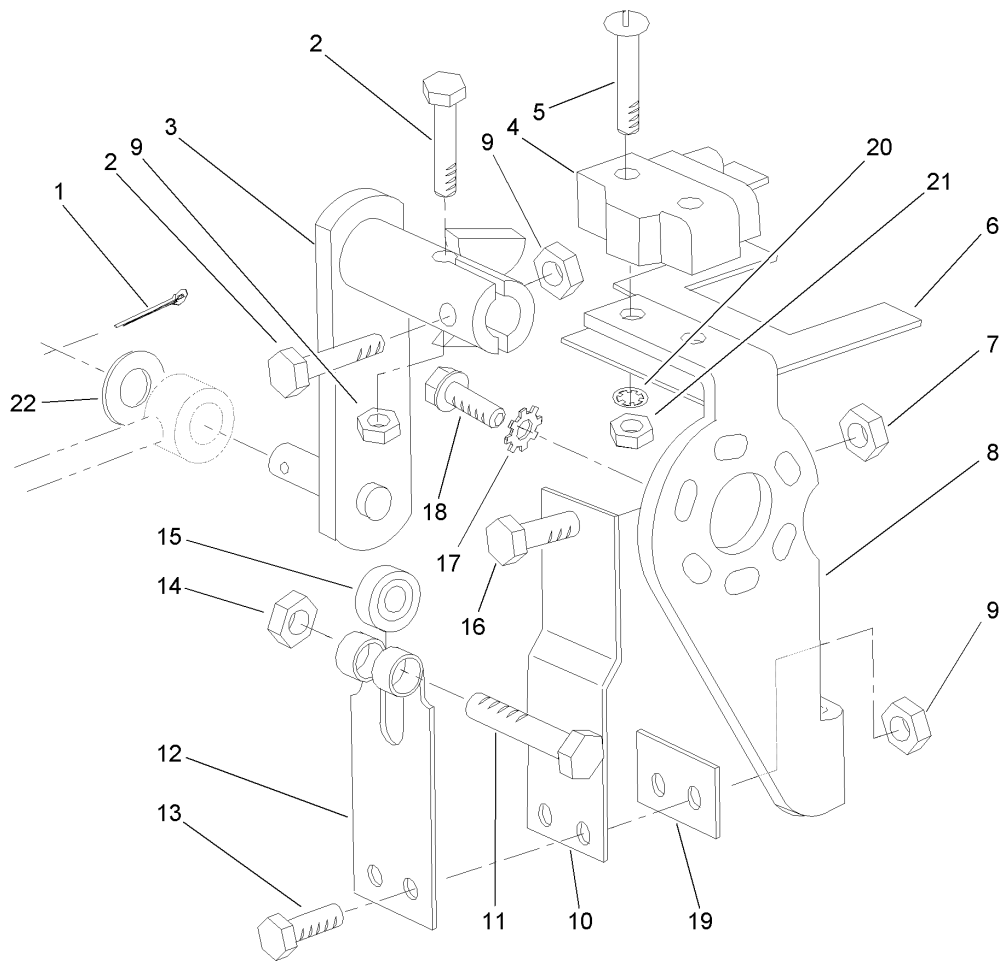


## Transmission Assembly No. 92-8947

Ref	Part No.	Qty.	Description
1	323-56	4	Screw-HH
2	67-9100	1	Gasket
3	32120-8	1	Ring-Snap
4	72-3750	1	Bearing-Roller
5	67-9080	1	Housing-Motor
6	46-8410	1	Shaft-Motor
8	25-2380	2	Plate-Thrust
9	25-2390	1	Plate-Valve, Motor
10	46-8400	2	Bearing-Shaft
11	25-2400	1	Gasket
12	353-550	2	Plug-HYD, Hex Hd
12:1	237-79	1	O-Ring
13	25-2410	2	Valve ASM
14	92-8918	1	Section-Center
15	93-4132	2	O-Ring
17	25-2430	2	Pin-Dowel
18	25-2440	1	Plate-Valve, Pump
19	32121-91	3	Pin-Spring
20	25-2450	1	Plate-Swash, Variable
21	251-8	1	Bearing-Ball
22	25-2460	2	Plug-HH
23	237-86	4	O-Ring
24	25-2470	2	Pack-Shim
25	25-2480	1	Spring-Valve

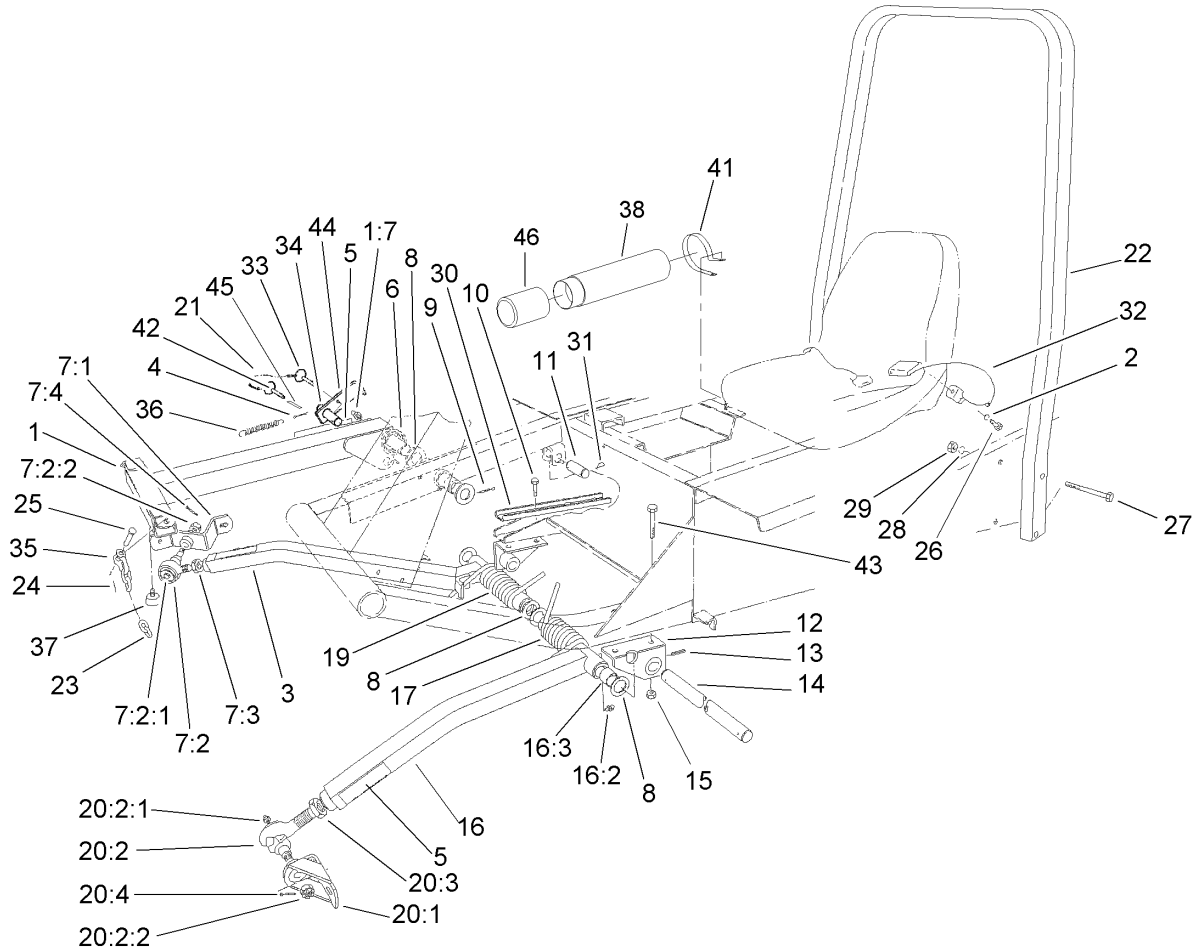
Ref	Part No.	Qty.	Description
27	32151-46	2	Ring-Retaining
28	25-2500	1	Shaft-Trunnion
40	353-551	1	Plug-HH
40:1	237-80	1	O-Ring
41	83-7260	2	Cone-Relief, Charge
42	25-2570	1	Spring-Valve
44	32151-75	1	Ring-Retaining
45	32120-15	1	Ring-Snap, EXT
46	25-2580	1	Shaft-Trunnion
49	3257-32	1	Key-Woodruff
50	67-8020	1	Shaft-Pump
51	48-1800	2	Cylinder Block Kit
51:1		1	Retainer-Slipper
51:2		9	Piston ASM
52	25-2610	1	Spring-Valve
53	88-8220	1	Valve-By-Pass
54	25-2630	1	Ring-Back Up
55	237-22	1	O-Ring
60	67-9090	1	Plug
62	92-8776	4	Plug
62:1	92-8777	1	O-Ring
63	93-0312	4	Washer-Hardened
64	99-5689	1	Check Valve ASM
64:1	25-2490	1	Ball





## Neutral Centering Device Assembly

Ref	Part No.	Qty.	Description
1	3272-10	1	Pin-Cotter
2	321-9	2	Screw-HH
3	108-6555-03	1	Pump Lever ASM
4	29-6163	1	Switch-Micro
5	3249-11	2	Screw-Machine
6	46-8810	1	Stop-Leaf Spring
7	3219-2	1	Nut-Hex
8	29-6120-03	1	Plate-Pump
9	3296-42	4	Nut-Lock, NI
10	29-6170	1	Extended Leaf Spring ASM
11	322-17	1	Screw-HH
12	29-6150	1	Spring-Leaf
13	321-6	2	Screw-HH
14	3296-29	1	Nut-Lock, NI
15	251-259	1	Bearing-Ball
16	3210-7	1	Screw-HH
17	3255-7	3	Washer-Lock / EXT
18	49-2040	3	Screw-Tapping
19	51-3150	1	Shim-Spring Arm
20	3254-9	2	Washer-Lock, Internal
21	3217-16	2	Nut-Hex
22	3256-6	1	Washer

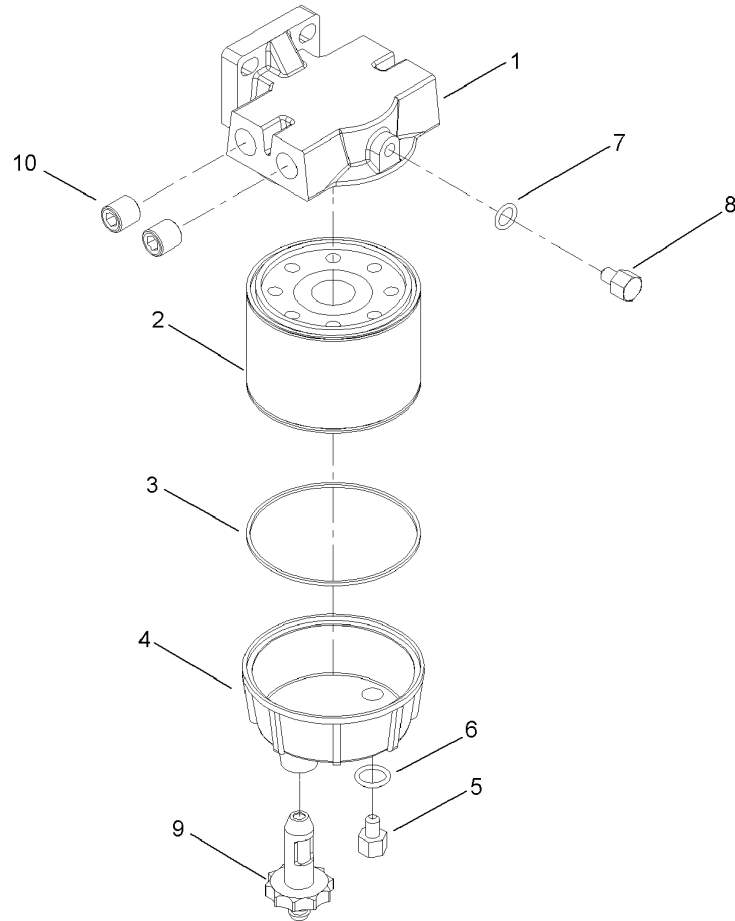
## Push Arm and Roll-Over-Protection-System Assembly

Ref	Part No.	Qty.	Description
1	66-6370	1	Lift Arm ASM
1:7	302-5	1	Fitting-Grease
1:8	3290-472	1	Insert-Threaded
2	3253-6	2	Washer-Lock
3	66-7150	1	Arm-Push, RH
3:2	302-33	1	Fitting-Grease
3:3	256-126	2	Bushing
4	3272-24	1	Pin-Cotter
5	93-6696	3	Decal-Warning
6	46-8840-01	1	Spring-Arm, Lift
7		1	RH Ball Joint ASM
7:1	21-3020-01	1	Mount-Balljoint, RH
7:2	86-8100-01	1	Joint-Ball
7:2:1	302-5	1	Fitting-Grease
7:2:2	32136-2	1	Nut-SHH
7:2:3	105-7835	1	Seal
7:3	21-3000	1	Nut-HJ
7:4	3272-11	1	Pin-Cotter
8	5-1754	6	Washer-Flat
9	3272-33	1	Pin-Cotter
10	324-4	2	Screw-HH
11	3-7292	1	Pin
12	21-2860-01	2	Push Arm Bracket ASM
13	32121-84	2	Pin-Coil

Ref	Part No.	Qty.	Description
14	21-2990	1	Shaft-Pivot
15	32128-42	4	Nut-HF
16	21-2960	1	Arm-Push, LH
16:2	302-33	1	Fitting-Grease
16:3	256-126	2	Bushing
17	21-2900-01	1	Spring-Counter Balance, LH
17	105-9550-01	1	Spring-Counter Balance, LH Light
19	21-2890-01	1	Spring-Counter Balance, RH
20		1	LH Ball Joint ASM
20:1	21-3050-01	1	LH Ball Joint Mount ASM
20:2	86-8100-01	1	Joint-Ball
20:2:1	302-5	1	Fitting-Grease
20:2:2	32136-2	1	Nut-SHH
20:2:3	105-7835	1	Seal
20:3	21-3000	1	Nut-HJ
20:4	3272-11	1	Pin-Cotter
21	28-8070	1	Lanyard
22	99-1299-03	1	ROPS-2 Post
23	3-1365	3	Chain
24	3272-10	6	Pin-Cotter
25	283-10	6	Pin-Clevis
26	3212-4	2	Screw-HH
27	328-12	4	Screw-HH
28	3253-9	4	Washer-Lock

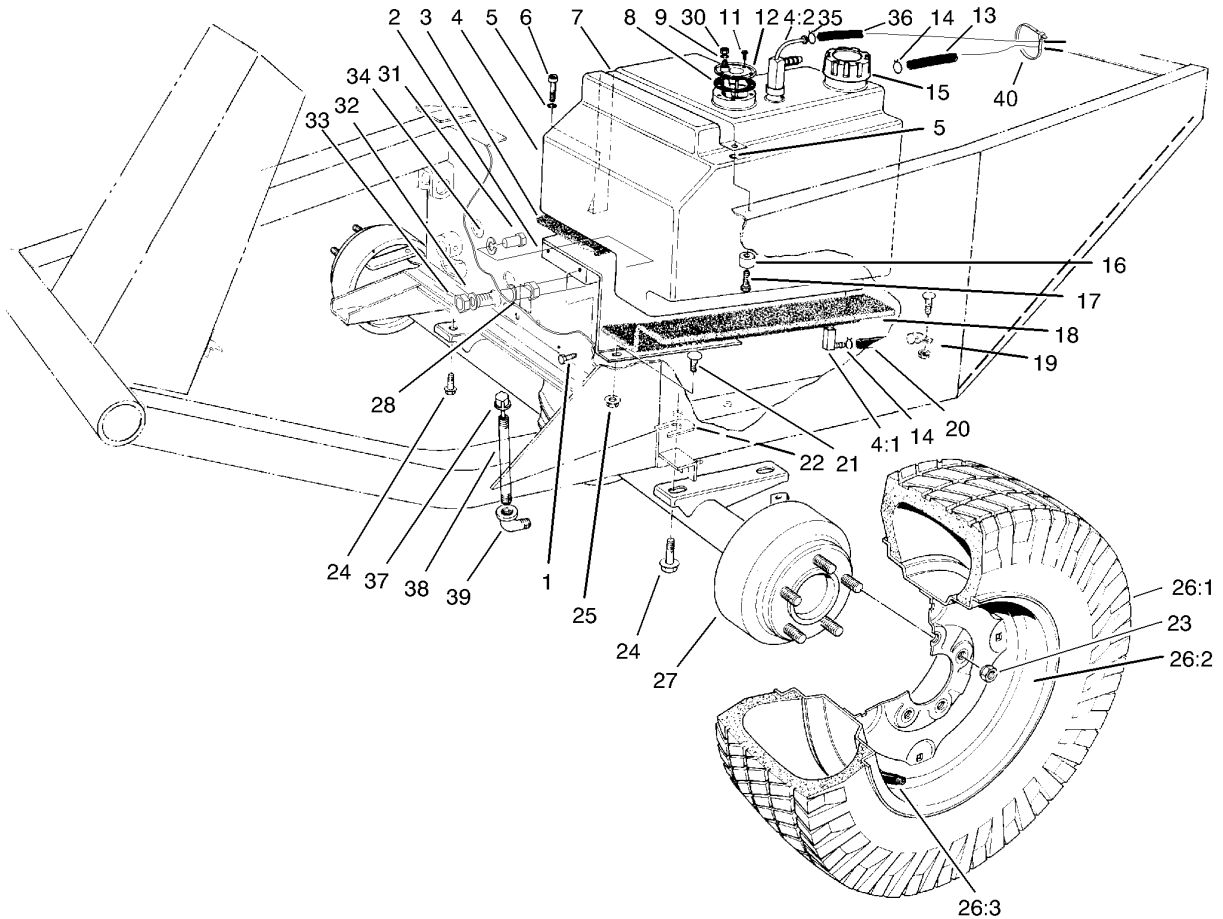






## Water / Fuel Filter Assembly No. 98-9305

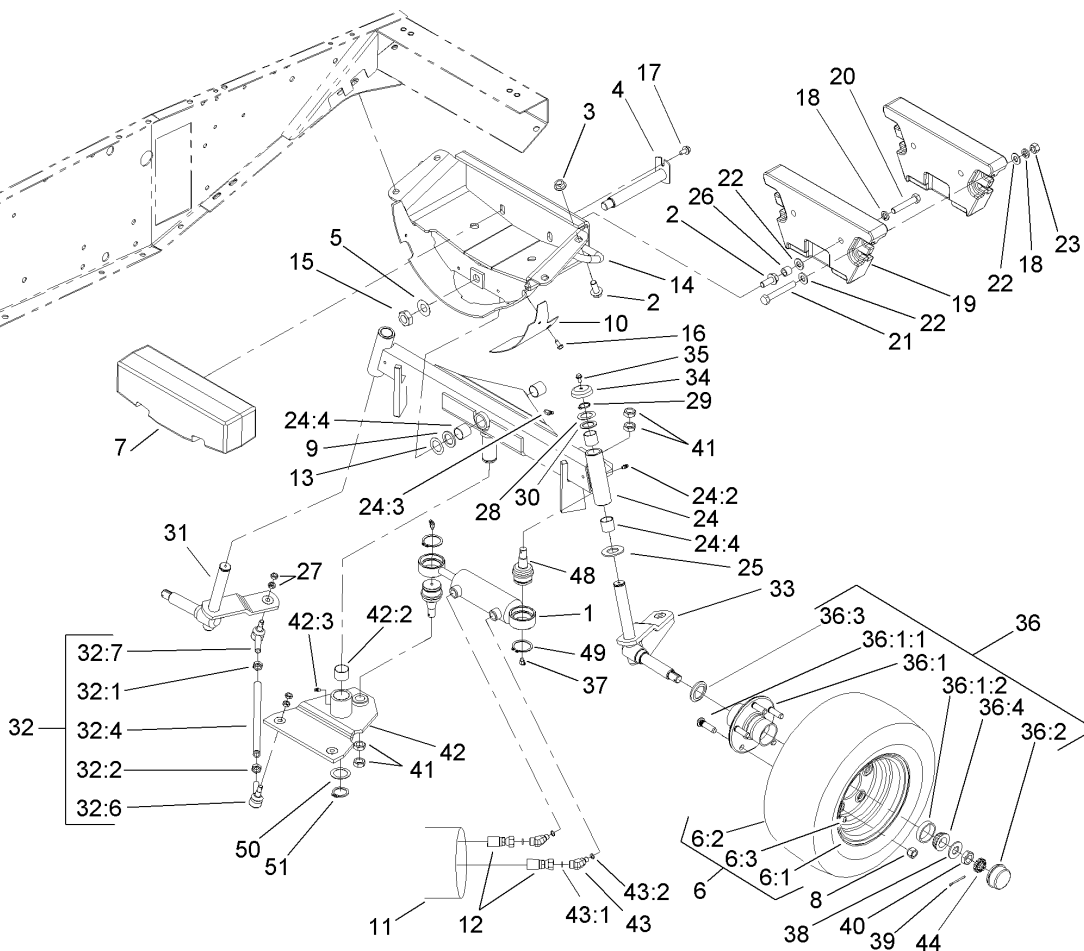
Ref	Part No.	Qty.	Description	
1	98-9772	1	Head-Filter	
2	98-9764	1	Element	
3	98-9774	1	O-Ring-Base, Filter	
4	98-9775	1	Base-Filter	
5	98-9773	1	Plug-Base, Filter	
6	237-42	1	O-Ring	
7	237-78	1	O-Ring	
8	98-9776	1	Plug-Head, Filter	
9	98-9777	1	Drain Valve ASM	
10	285-22	2	Plug-Pipe	



## Fuel Tank and Front Axle Assembly

Ref	Part No.	Qty.	Description
1	3234-11	2	Screw-HHF
2	68-9760	1	Fuel Tank Base ASM
3	21-3600	1	Foam-Support, Tank
4	43-4150	1	Fuel Tank ASM
4:1	43-4190	1	Fitting ASM
4:2	43-4160	1	Fitting-Return And Vent
5	3253-3	2	Washer-Lock
6	32104-96	1	Screw-HH
7	37-9550	1	Strap-Tank, Gas
8	62-7650	1	Gasket
9	3253-17	1	Washer-Lock / Sp
11	32144-53	5	Screw-SHWH
12	105-2563	1	Sender-Fuel
13	104-0076	1	Hose-Fuel
14	2412-6	2	Clamp-Hose
15	55-3572	1	Gas Cap ASM
16	22-7810	1	Spacer
17	321-6	1	Screw-HH
18	21-3610	1	Foam-Support, Tank
19	2412-4	1	Clamp
20	27-5360	1	Hose-Fuel
21	3230-2	3	Bolt-CARR
22	42-6080	1	Shim-Axle
23	23-7270	10	Nut-Wheel

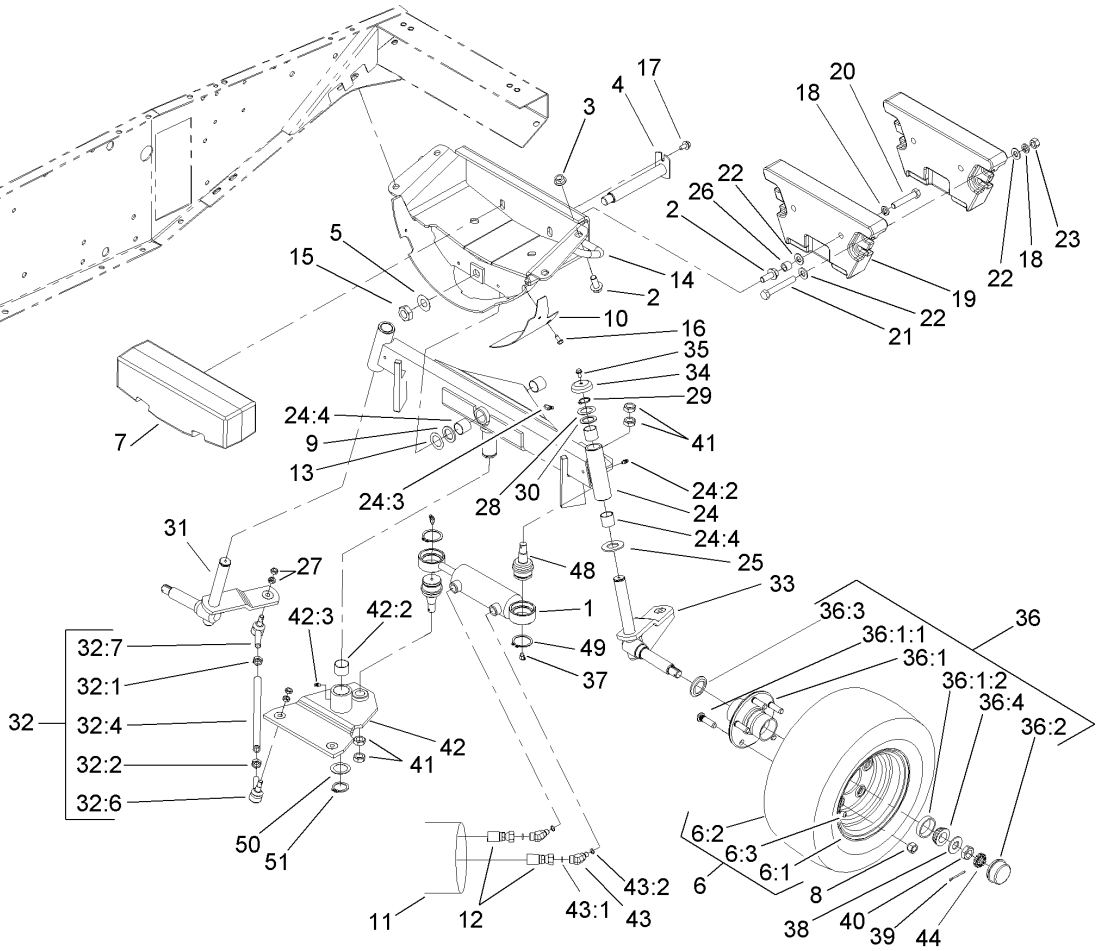
Ref	Part No.	Qty.	Description
24	32144-67	4	Screw
25	32128-20	3	Nut-HF
26		2	Wheel And Tire ASM
26:1	95-3348	1	Tire
26:2	217-117	1	Wheel
26:3	232-27	1	Stem-Valve
27	86-9600-03	1	Axle ASM
28	24-9830-01	1	Support-Axle ASM
30	3219-14	1	Nut-Hex
31	323-6	1	Screw-HH
32	3256-6	2	Washer
33	3217-9	2	Nut-Hex
34	3253-21	1	Washer-Lock
35	2412-79	2	Clamp-Hose
36	43-4230	1	Hose-Return
37	23-5180	1	Dipstick-Axle
38	289-37	1	Nipple-Pipe
39	2811-9	1	Fitting-Elbow, Street
40	3290-379	1	Tie-Cable



## Rear Axle Assembly

Ref	Part No.	Qty.	Description
1	92-7828	1	Cylinder-Hydraulic
2	3234-32	6	Screw-HHF
3	32128-23	4	Nut-HF
4	92-7807-01	1	Rear Axle Pin ASM
5	71-4540	1	Washer-Thrust
②6		2	Wheel And Tire ASM
6:1	217-106	1	Wheel-8In
6:2	231-105	1	Tire-Rib
6:3	232-31	1	Stem-Valve
7	98-3869-01	1	Weight-Rear
8	242-50	10	Nut-Lug
9	92-7845	1	Spacer-Hardened
10	99-2413-01	1	Cover-Guard, Flywheel
11	56-7980	1	Sleeve-Protective
12	68-9710	2	Hose-Steering, Rear
13	56-2460	1	Washer-Flat
14	92-7803-01	1	Axle Support ASM
15	32146-20	1	Nut-Jam
16	32144-10	2	Screw-HWH
17	32144-14	1	Screw-HWH
18	3253-7	4	Washer-Lock
19	24-5790-01	2	Weight-Rear
20	325-11	2	Screw-HH
21	325-14	2	Screw-HH

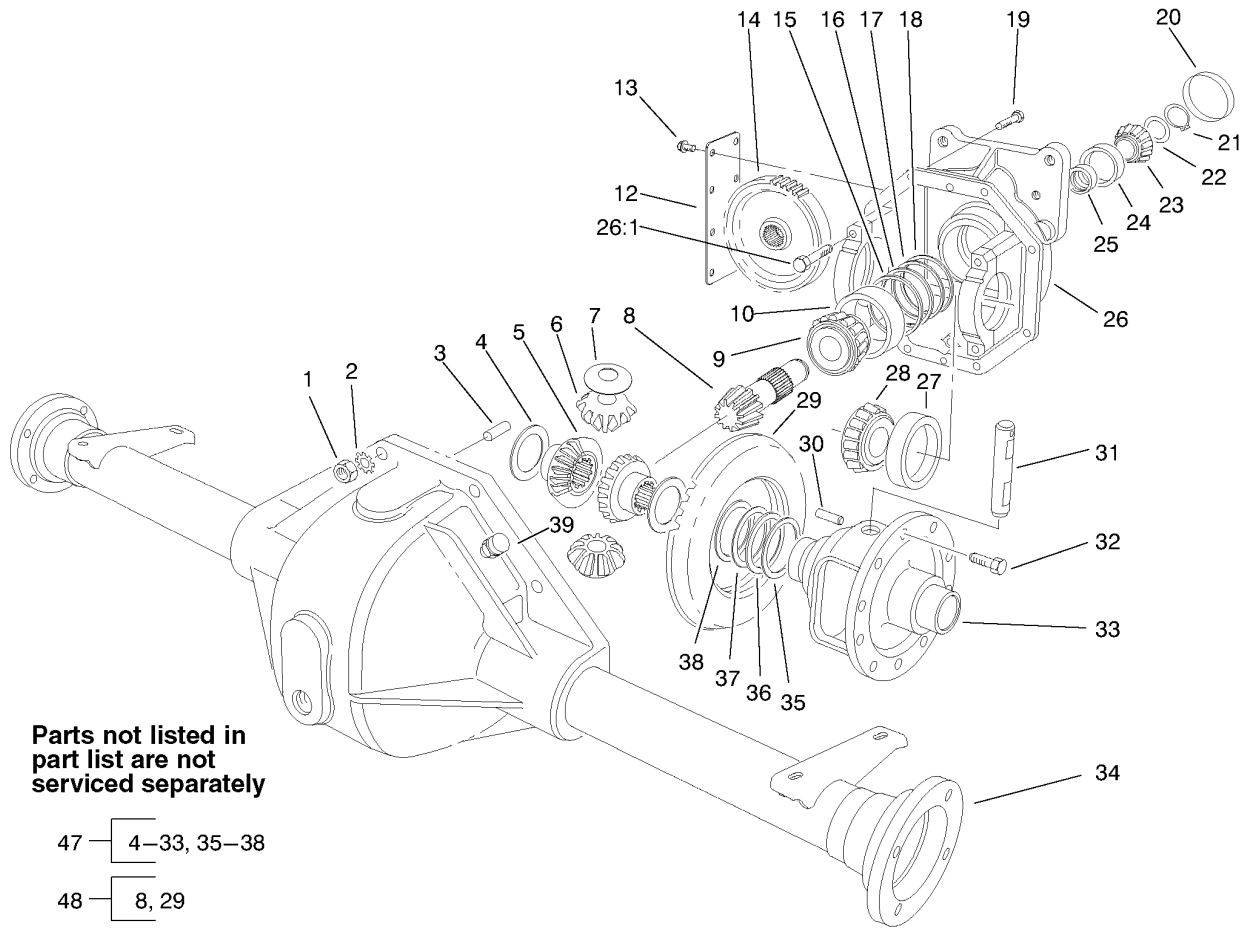
Ref	Part No.	Qty.	Description
22	3256-26	6	Washer-Flat
23	3217-9	2	Nut-Hex
24	106-8050-03	1	Rear Axle ASM
24:2	302-5	2	Fitting-Grease
24:3	302-11	1	Fitting-Lube, 45 DEG
24:4	67-1750	6	Bushing
25	256-121	2	Washer-Thrust
26	57-4230	2	Spacer-Tubular
27	3220-3	8	Nut-Jam
28	5-1226	4	Washer
29	32151-36	2	Ring-Retaining
30	10-8110	2	Washer-Thrust
31	93-3199-03	1	RH Spindle ASM
②32		2	Tie Rod-Steering ASM
32:1	3220-12	1	Nut-Hex Jam, LH Thread
32:2	3220-5-01	1	Nut-HJ
32:4	21-2000	1	Tie Rod-Steering
32:6	21-0151	1	LH Ball Joint ASM
32:7	21-0141-03	1	RH Ball Joint ASM
33	99-1292-03	1	LH Spindle ASM
34	66-2990	2	Cap-Spindle
35	3234-13	2	Screw-HHF
②36		2	Hub ASM
36:1	21-2820	1	Hub



### Rear Axle Assembly (continued)

Ref	Part No.	Qty.	Description
36:1:1	10-6830	5	Stud-Type, Drive
36:1:2	254-72	2	Bearing-Cup, Tapered
36:2	241-119	1	Cap-Dust
36:3	253-129	1	Seal
36:4	254-94	2	Bearing-Cone, Tapered
37	302-11	2	Fitting-Lube, 45 DEG
38	93-0309	2	Washer-Tab
39	3272-13	2	Pin-Cotter
40	3220-7	2	Nut-Jam
41	3220-6	4	Nut-Jam
42	106-8052	1	Steering Pivot ASM
42:2	76-2970	2	Bushing-Straight
42:3	302-5	1	Fitting-Grease
43	340-54	2	Elbow-45 DEG
43:1	237-22	1	O-Ring
43:2	237-78	1	O-Ring
44	93-0307	2	Nut-Lock, Retainer
48	106-6774	2	Joint-Ball
49	32151-104	2	Ring-Retaining, External
50	76-2980	1	Washer-Thrust
51	32151-77	1	Ring-Retaining, EXT

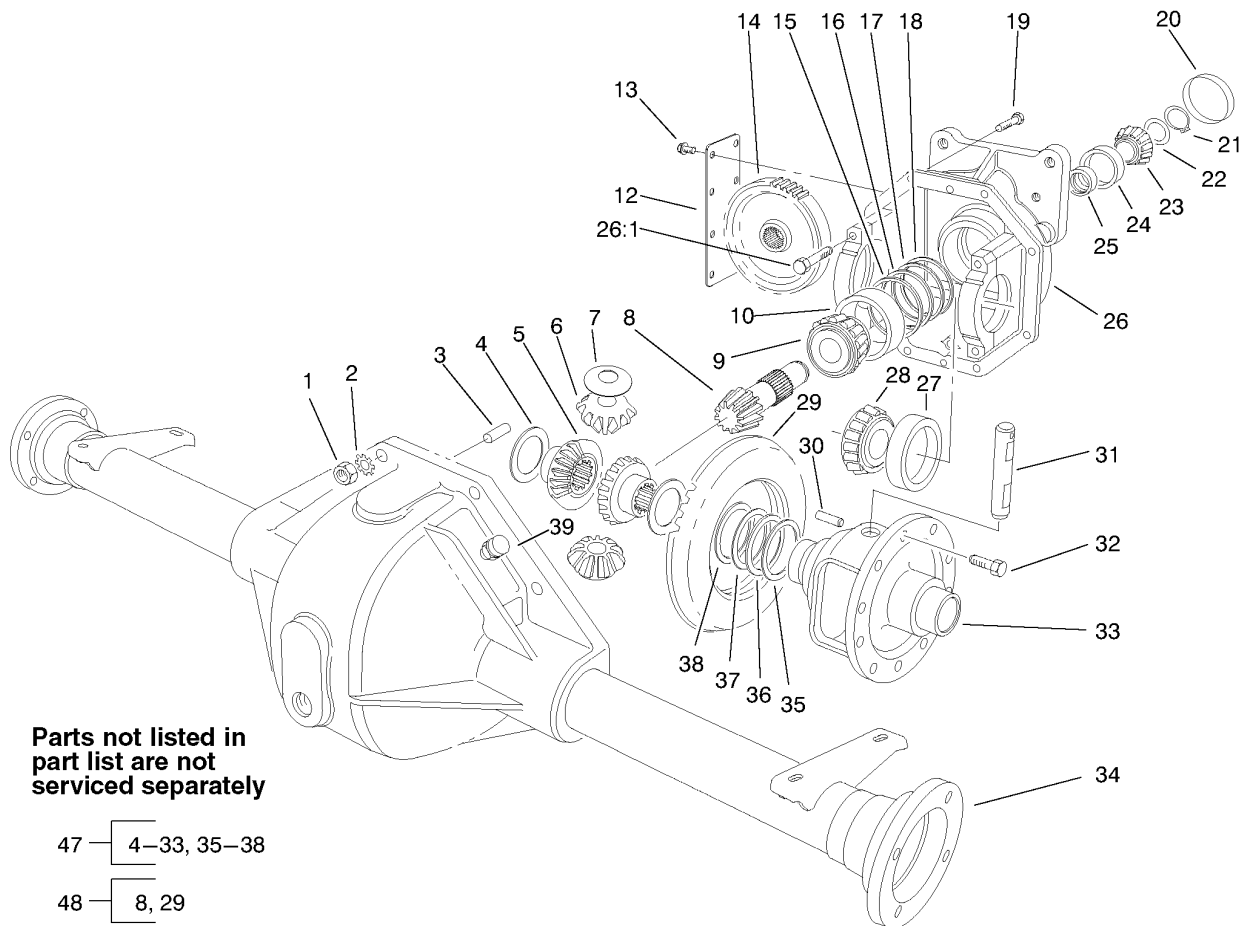


### Front Axle Assembly No. 86-9600-03

Ref	Part No.	Qty.	Description
1	3219-2	8	Nut-Hex
2	3255-8	8	Washer-Lock
3	21-8270	2	Pin-Dowel
4	21-7720	2	Washer-Thrust
5	24-8790	2	Gear-Differential
6	21-7690	2	Pinion-Differential
7	21-7730	2	Washer-Thrust, Pinion
8		1	Pinion-Drive
9	43-6760	1	Bearing-Roller, Cone Taper
10	43-6750	1	Bearing-Taper, Cup
12	21-7830	1	Cover-Gear
13	12-5450	8	Screw
14	86-7230	1	Gear-Input, Transmission
15	43-6710	0	Shim
16	43-6711	0	Shim
17	43-6712	0	Shim
18	43-6713	0	Shim
19	3210-7	8	Screw-HH
20	21-7850	1	Plug-Cup
21	43-6550	1	Ring-Snap
22	46-2210	0	Shim-Bearing, Front
	46-2211	0	Shim-Front Bearing, .033
	46-2212	0	Shim-Front Bearing, .035
	46-2213	0	Shim-Front Bearing, .037

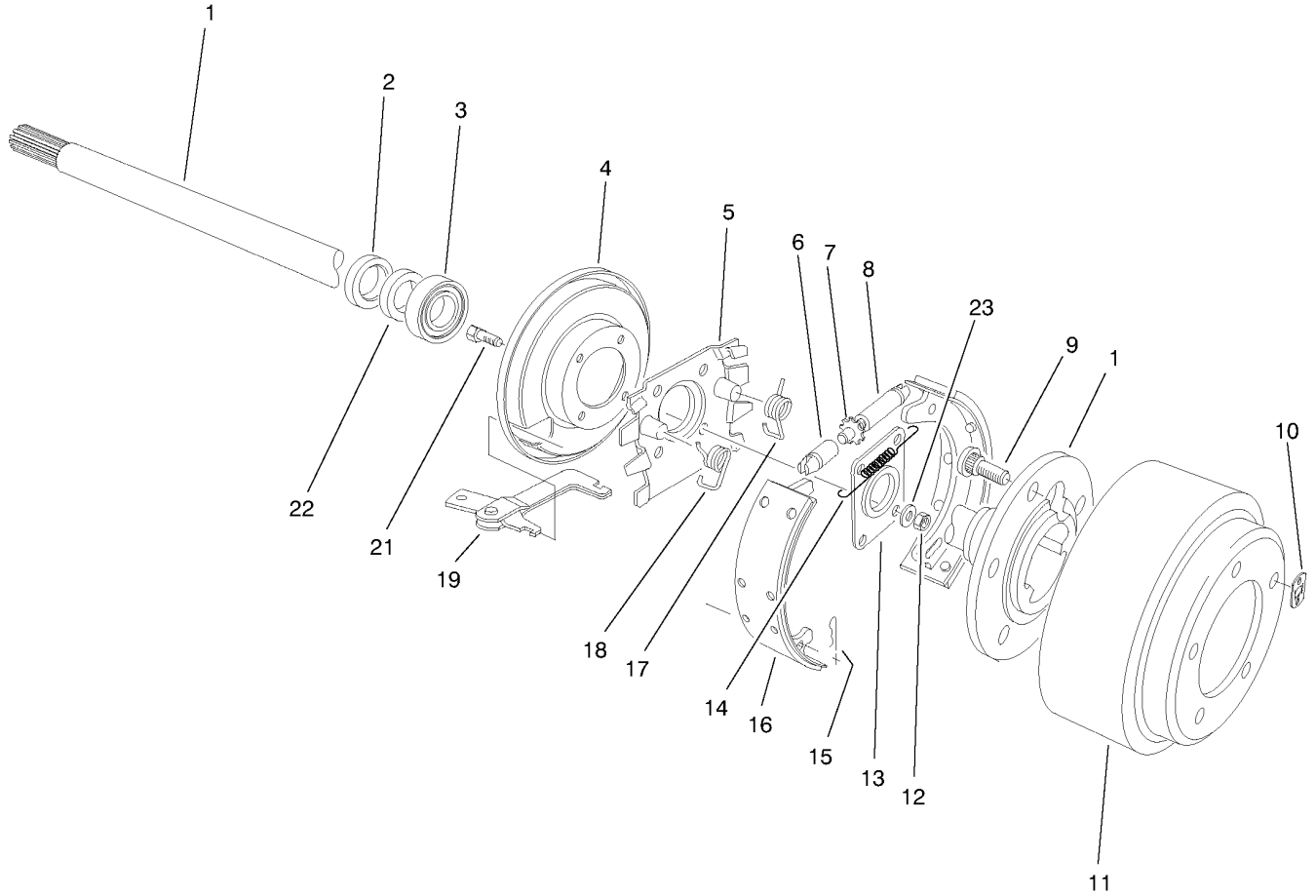
Ref	Part No.	Qty.	Description
	46-2214	0	Shim-Front Bearing, .039
	46-2215	0	Shim-Front Bearing, .041
	46-2216	0	Shim-Front Bearing, .043
	46-2220	0	Shim-Front Bearing, .045
	46-2221	0	Shim-Front Bearing, .047
	46-2222	0	Shim-Front Bearing, .049
	46-2223	0	Shim-Front Bearing, .051
	46-2224	0	Shim-Front Bearing, .053
	46-2225	0	Shim-Front Bearing, .055
	46-2226	0	Shim-Front Bearing, .057
	46-2410	0	Shim-Front Pinion .062
	46-2411	0	Shim-Front Pinion .064
	46-2412	0	Shim-Front Pinion .066
	46-2413	0	Shim-Front Pinion .068
	46-2414	0	Shim-Front Pinion .070
	46-2415	0	Shim-Front Pinion .072
	46-2416	0	Shim-Front Pinion .074
	46-2420	0	Shim-Front Pinion .076
	46-2421	0	Shim-Front Pinion .078
	46-2422	0	Shim-Front Pinion .080
	46-2423	0	Shim-Front Pinion .082
	46-2424	0	Shim-Front Pinion .084
	46-2425	0	Shim-Front Pinion .086
	46-2426	0	Shim-Front Pinion .088



### Front Axle Assembly No. 86-9600-03 (continued)

Ref	Part No.	Qty.	Description
23	254-91	1	Cone-Bearing
24	254-90	1	Bearing-Cup
25	21-8020	1	Spacer-Bearing
26	86-9580	1	Upper Hsg Sub Assy
26:1	92-1773	4	Screw-HHF
27	254-66	2	Cup-Bearing, Roller
28	254-65	2	Cone-Bearing, Roller
29		1	Gear-Ring
30	32121-15	1	Pin-Roll
31	21-7700	1	Shaft-Mate, Pinion
32	21-7770	5	Screw-Gear, Drive
33	21-7670	1	Case-Differential
34	43-6840	1	Housing-Lower
35	21-8120	0	Shim-Bearing, Diff. (.030)
36	21-8110	0	Shim-Bearing, Diff. (.010)
37	21-8100	0	Shim-Bearing, Diff. (.005)
38	21-8090	0	Shim-Bearing, Diff. (.003)
39	72-9420	1	Vent
47	92-4903	1	Differ'l Carrier Assy
48	92-4848	1	Gear And Pinion ASM

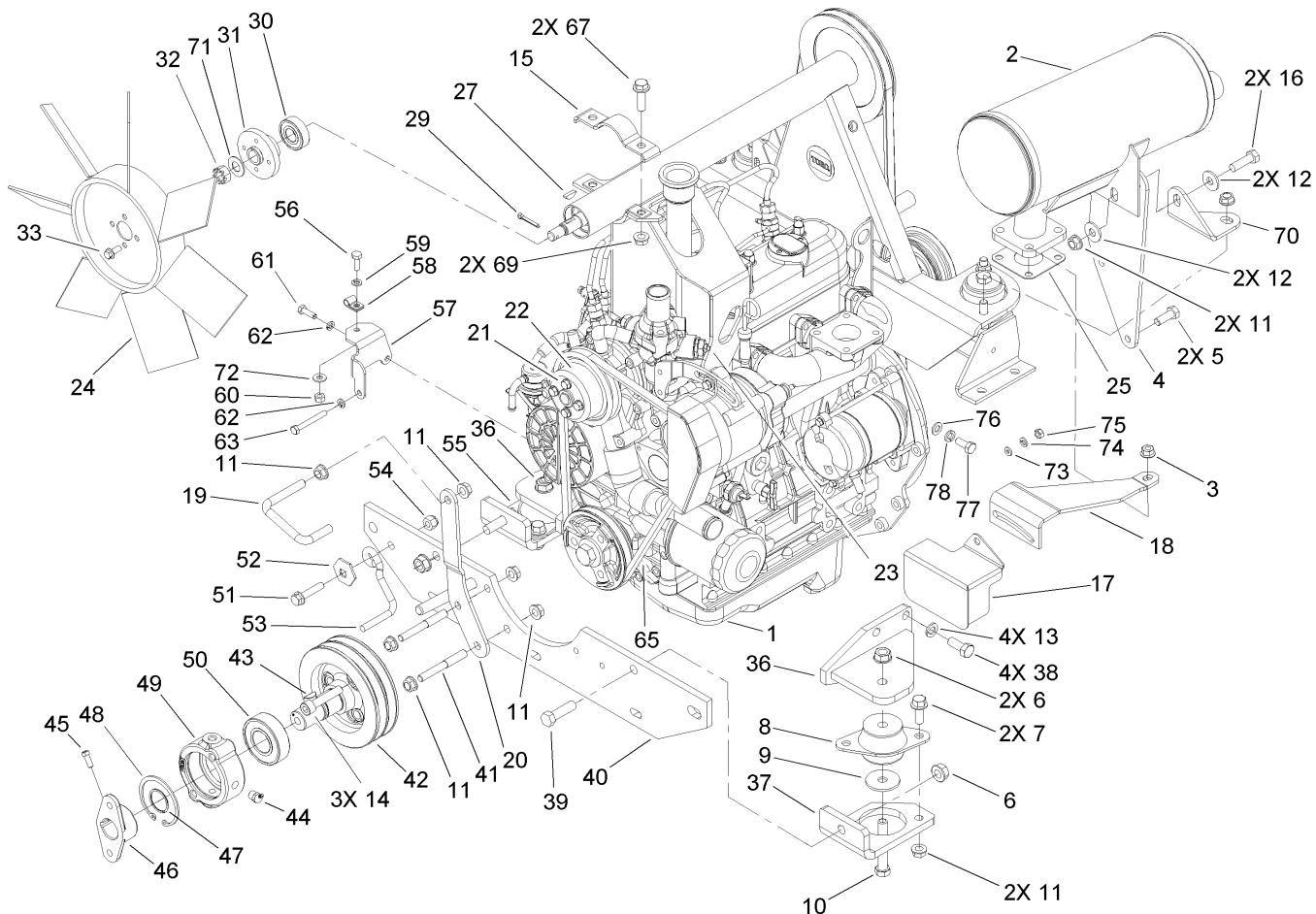
--	--	--	--



## Brake Assembly

Ref	Part No.	Qty.	Description
1	28-0650	2	Flanged Axle Shaft
2	92-1774	2	Seal-Oil
3	21-8180	2	Bearing ASM
4	21-9450	2	Shield-Dust
5	43-6810	2	Spider-Torque
6	21-9390	2	Socket-Screw, Adjusting
7	21-9370	2	Screw-Adjusting
8	21-9380	2	Nut-Pivot
9	242-34	10	Stud-Drive
10	21-8360	2	Locknut
11	28-0680	2	Drum-Brake
12	94-6935	8	Locknut
13	28-0670	2	Seal-Grease
14	21-9440	2	Spring-Screw, Adjusting
15	21-9460	4	Retainer-Lever, Brake
16	84-8600	1	Set-Shoes, Lined
17	21-9420	2	Spring-Return, LH
18	21-9430	2	Spring-Return, RH
19	24-9180	2	Strut And Lever ASM
21	94-6934	8	Screw-HH, Brake
22	24-8840	2	Ring-Retaining, Wheel Bearing
23	94-6936	8	Washer-Hardened
①	92-8775	1	Liquid Gasket Kit

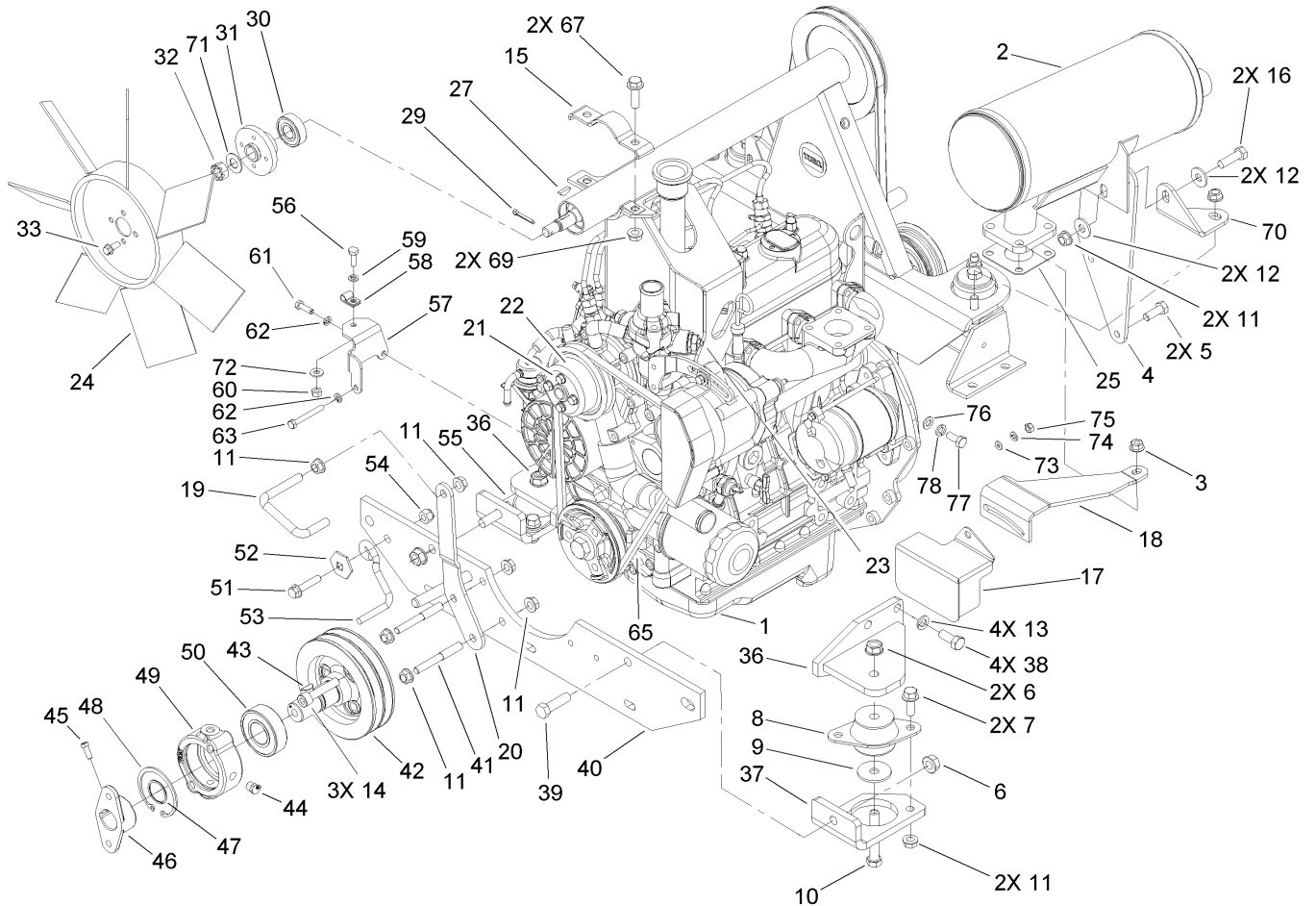
--	--	--	--



## Engine and Mounting Component Assembly

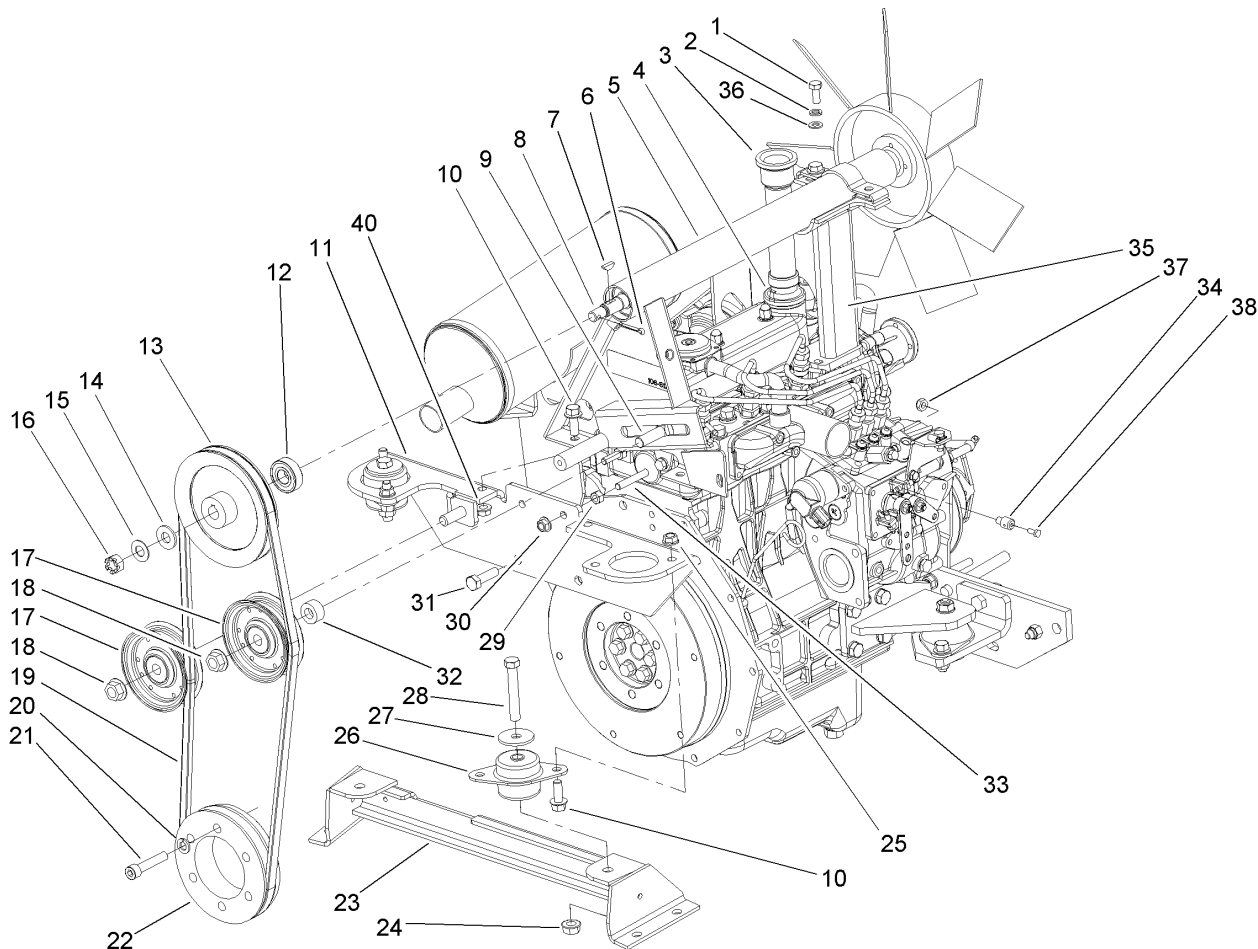
Ref	Part No.	Qty.	Description
1	108-1361	1	Engine-Kubota
2	106-8069	1	Muffler-Exhaust
3	33004-00	4	Nut-HF
4	105-2523-03	1	Bracket-Muffler
5	33114-016	2	Screw-HH
6	32128-37	4	Nut-HF
7	3234-11	4	Screw-HHF
8	53-9680	2	Mount-Engine
9	53-9480	2	Washer-Snubber
10	324-11	2	Screw-HH
11	3290-357	12	Nut-HHF
12	80-6990	4	Washer-Hardened
13	42-9600	8	Washer-Lock, Spring
14	3274-106	3	Screw-HSH
15	105-2519-03	1	Clamp-Cradle
16	323-44	2	Screw-HH
17	105-2557-03	1	Guard-Alternator
18	105-2556-03	1	Brace-Alternator, Upper
19	105-4276	1	Guide-Belt, PTO
20	105-0052-03	1	Bracket-Belt Guide
21	81-1280	4	Bolt
22	98-9584	1	Pulley-Fan
23	98-9346	1	Sender-Temperature
24	107-9096	1	Fan-Cooling

Ref	Part No.	Qty.	Description
25	98-9611	1	Gasket
27	3257-30	1	Key-Woodruff
29	3272-16	1	Pin-Cotter
30	38-7820	1	Bearing-Ball
31	104-3408-03	1	Hub-Fan
32	32136-3	1	Nut-SHH
33	3234-33	4	Screw-HHF
36	104-3463-03	2	Mount-Front
37	104-3464-03	1	Mount-Frame, LH Front
38	43-0090	8	Screw-HH
39	324-6	2	Screw-HH
40	75-9900-01	1	Support-Engine, Front
41	105-0057	2	Stud-Belt Retainer
42	104-3406-03	1	Pulley-Fan
43	3257-33	1	Key-Woodruff
44	302-10	1	Fitting-Grease
45	3241-5	2	Screw-Set
46	27-1960	1	Hub-Engine
47	32120-69	1	Ring-Snap
48	32120-22	1	Ring-Snap, Internal
49	43-3720	1	Collar-Bearing
50	251-252	1	Bearing
51	3234-18	1	Screw-HHF
52	3290-224	1	Lockwasher-Pyramid



## Engine and Mounting Component Assembly (continued)

Ref	Part No.	Qty.	Description
53	63-1400	1	Rod-Belt
54	3296-39	1	Nut-Lock, NI
55	104-3465-03	1	Mount-Frame, RH Front
56	321-4	1	Screw-HH
57	104-3421-03	1	Bracket-Throttle
58	2412-31	1	Clamp-Boden
59	3253-3	1	Washer-Lock
60	3217-5	1	Nut-Hex
61	33113-050	1	Screw-HH
62	48-8020	2	Washer-Spring
63	48-7630	1	Screw
65	98-9676	1	V-Belt
67	3234-24	2	Screw-HHF
69	3296-39	2	Nut-Lock, NI
70	105-2598-03	1	Bracket-Muffler
71	18-9810	1	Washer-Thrust
72	3256-22	1	Washer-Flat
73	3256-78	1	Washer-Flat
74	43-5930	1	Washer-Spring
75	48-7890	1	Nut
76	33094-00	1	Washer-Flat
77	92-1374	1	Screw-HH
78	3253-4	1	Washer-Lock

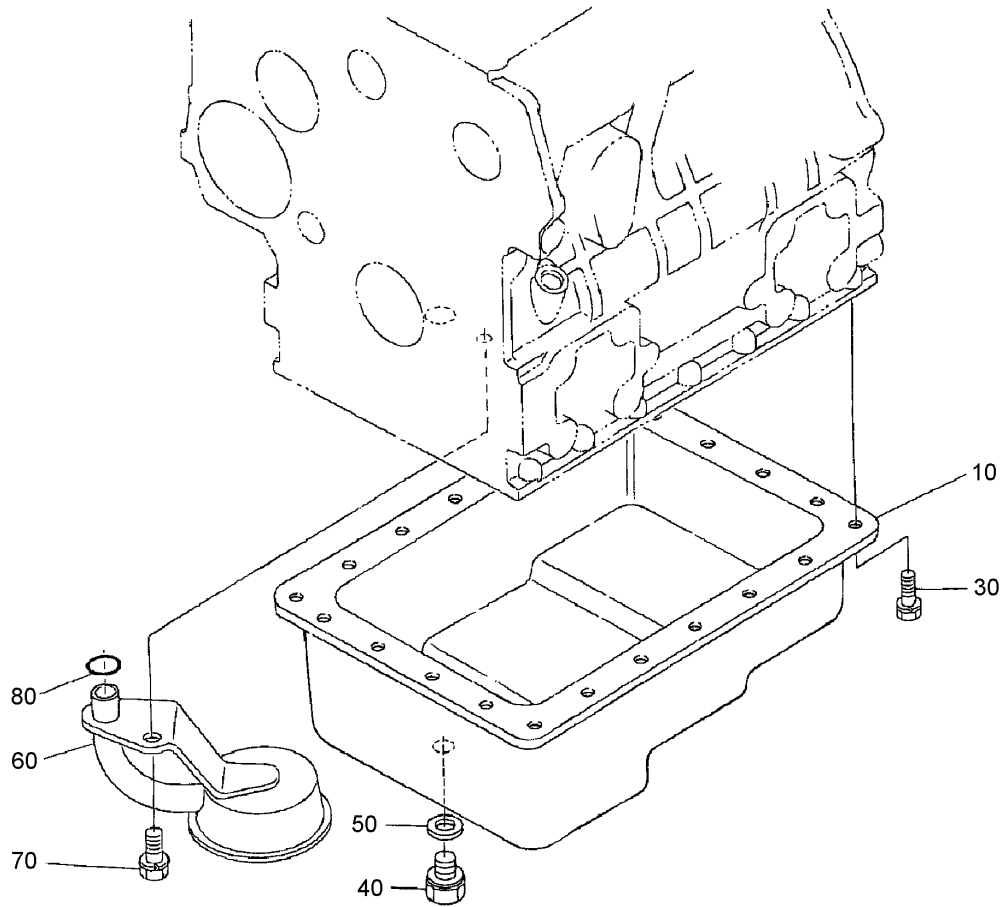
### Engine Pulley System Assembly

Ref	Part No.	Qty.	Description
1	93-7773	2	Screw
2	3253-4	2	Washer-Lock
3	105-0087	1	Flange-Filler, Oil
4	98-7430	1	O-Ring
5	106-4399	1	Fan-Support ASM
6	3272-16	1	Pin-Cotter
7	3257-30	1	Key-Woodruff
8	43-3690	1	Fan Shaft
9	3233-14	1	Screw-CARR
10	3234-11	6	Screw-HHF
11	105-2501-03	1	Engine Mount ASM
12	38-7820	1	Bearing-Ball
13	105-2524	1	Hub-Pulley
14	3-6803	2	Washer-Adjusting
15	29-8910	1	Washer
16	32136-3	1	Nut-SHH
17	105-3699	2	Pulley-Idler, Flat
18	32128-23	2	Nut-HF
19	105-3693	1	Belt-Fan
20	42-9600	6	Washer-Lock, Spring
21	3274-106	6	Screw-HSH
22	104-3407-03	1	Pulley-Flywheel
23	105-2520-03	1	Engine Mount ASM
24	32128-37	2	Nut-HF

Ref	Part No.	Qty.	Description
25	3290-357	4	Nut-HHF
26	53-9680	2	Mount-Engine
27	53-9480	2	Washer-Snubber
28	324-11	2	Screw-HH
29	33014-00	2	Nut-Hex
30	33004-00	2	Nut-HF
31	56-2140	2	Bolt
32	105-0058	1	Spacer-Fan Idler
33	105-2502	2	Stud
34	105-4263	1	Swivel-Throttle Cable
35	105-2507-03	1	Cradle-Tube Support
36	68-0020	2	Idler Pivot Spacer
37	3296-20	1	Nut-Lock, NI
38	25-8640	1	Screw-HH
40	32128-21	2	Nut-HF

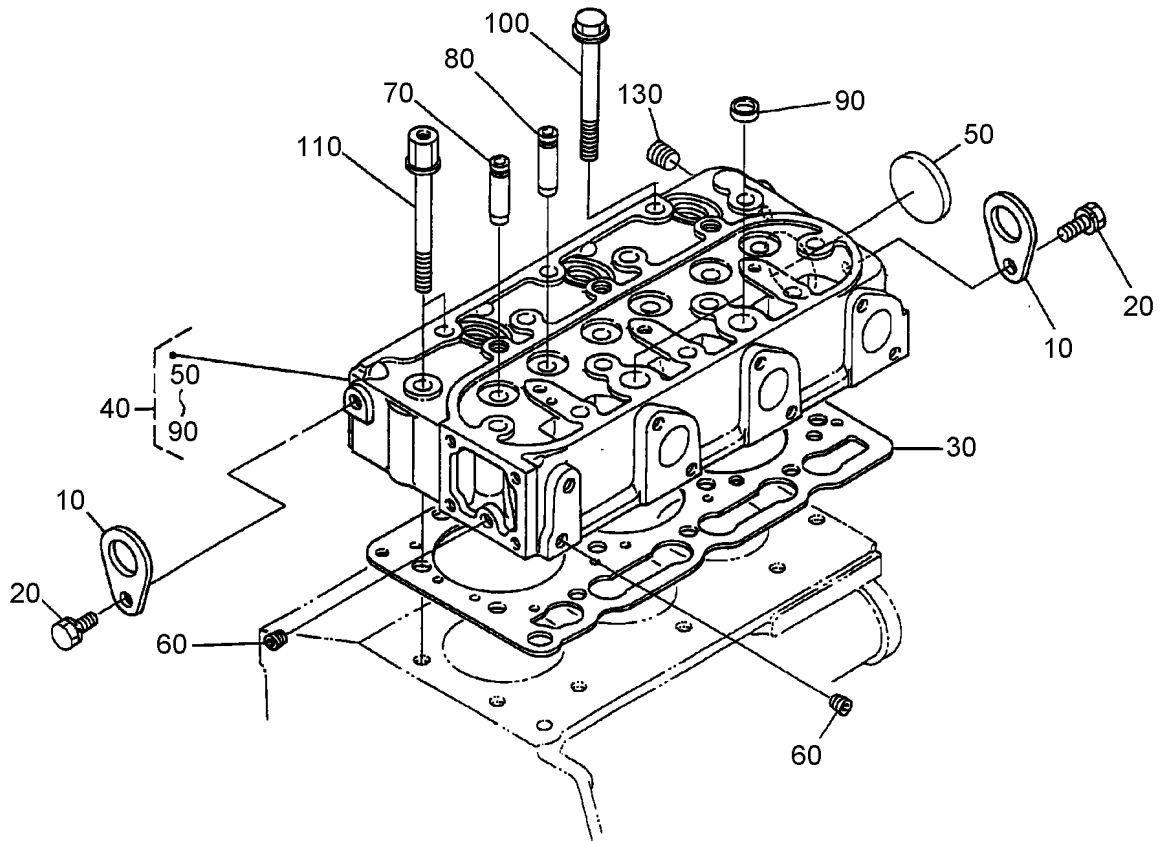






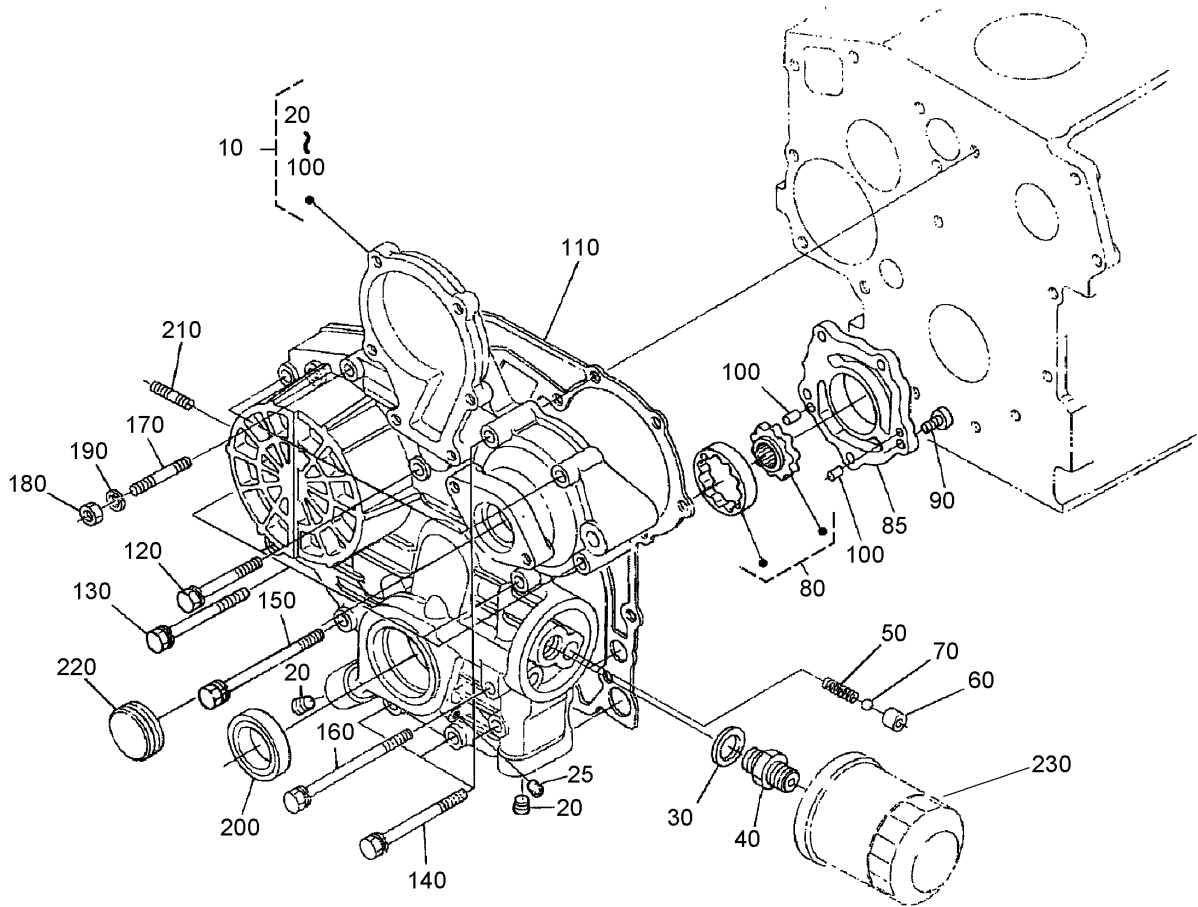
### Oil Pan Assembly

Ref	Part No.	Qty.	Description
10	104-3495	1	Pan-Oil
30	107-9065	22	Bolt
40	108-6572	1	Plug-Drain
50	98-7524	1	Gasket
60	104-3496	1	Filter-Oil Pickup
70	98-7526	1	Bolt
80	105-3776	1	O-Ring



### Cylinder Head Assembly

Ref	Part No.	Qty.	Description
10	98-7531	2	Hook-Engine
20	100-9195	2	Bolt
30	108-6573	1	Gasket-Head, Cylinder
40	108-6574	1	Cylinder Head ASM
50	98-9395	1	Cap-Sealing
60	98-7540	2	Plug
70	107-9066	3	Guide-Valve, Inlet
80	107-9067	3	Guide-Valve, Exhaust
90	98-9389	2	Cap-Sealing
100	98-9479	1	Bolt-Head, Cylinder
110	98-9647	2	Bolt-Head, Cylinder
130	98-9444	1	Plug

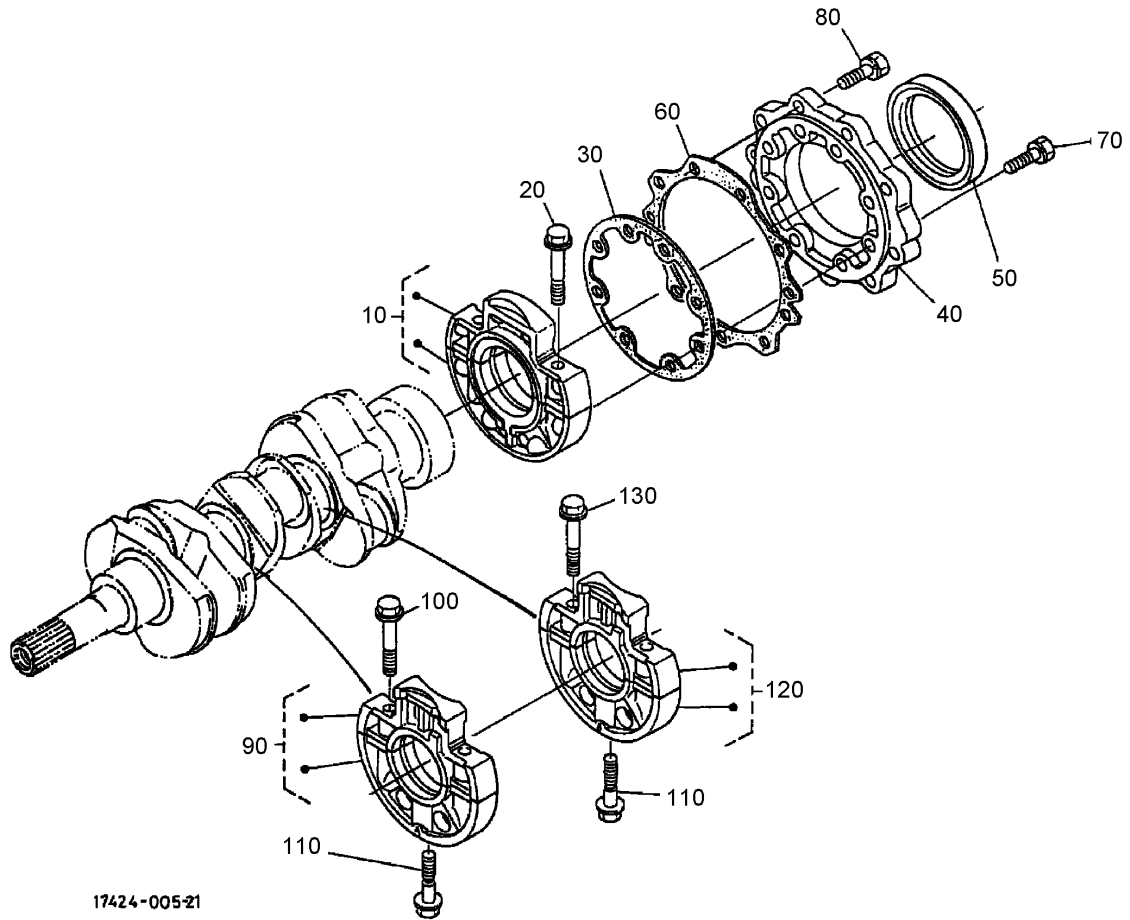
### Gear Case Assembly

Ref	Part No.	Qty.	Description
10	107-9068	1	Gear Case ASM
20	98-9598	2	Plug
25	98-7487	1	Plug
30	98-7562	1	Washer-Plain
40	98-9388	1	Joint-Pipe
50	98-9544	1	Spring
60	98-9543	1	Seat-Valve
70	98-9380	1	Ball
80	98-9540	1	Oil Pump Rotor ASM
85	107-9069	1	Cover-Pump, Oil
90	107-9071	5	Screw
100	107-9072	2	Pin-Straight
110	98-9633	1	Gasket-Case, Gear
120	107-9073	3	Bolt
130	105-3797	4	Bolt
140	98-9356	4	Bolt
150	107-9074	1	Bolt
160	98-9586	1	Bolt
170	105-3709	1	Stud
180	98-7572	1	Nut
190	98-7699	1	Washer-Spring
200	98-9482	1	Seal-Oil
210	105-3710	2	Stud
220	98-9641	1	Cover

Ref	Part No.	Qty.	Description
230	104-5167	1	Filter-Oil





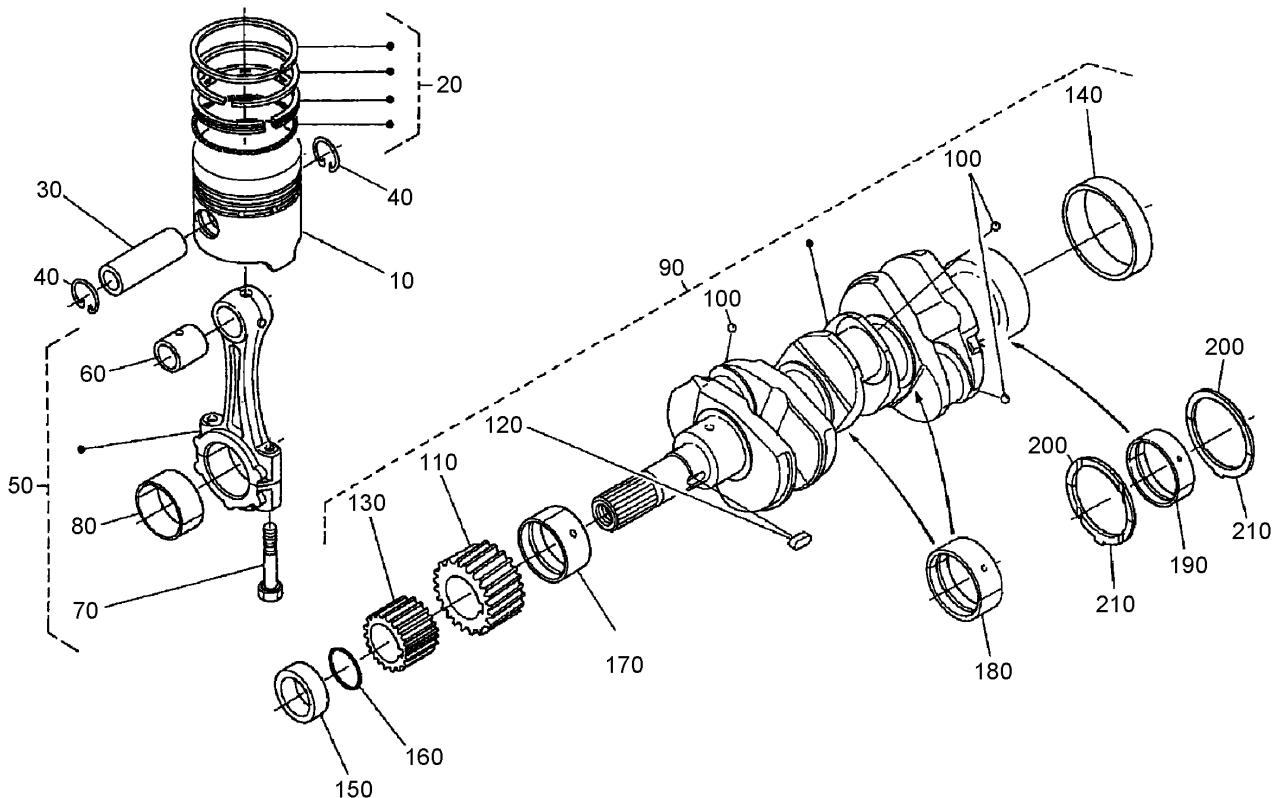


17424-005-21

## Main Bearing Case Assembly

Ref	Part No.	Qty.	Description
10	98-9480	1	Main Bearing Case ASM
20	98-9484	6	Bolt-Case, Bearing
30	98-9634	1	Gasket-Case, Bearing
40	98-9487	1	Cover-Case, Bearing
50	98-9483	1	Seal-Oil
60	98-9635	1	Gasket-Cover, Bearing Case
70	98-9352	8	Bolt
80	98-7568	9	Bolt
90	98-9606	1	Main Bearing Case ASM
100	98-9484	2	Bolt-Case, Bearing
110	98-9485	2	Bolt-Case, Bearing
120	98-9607	1	Main Bearing Case ASM
130	98-9484	2	Bolt-Case, Bearing



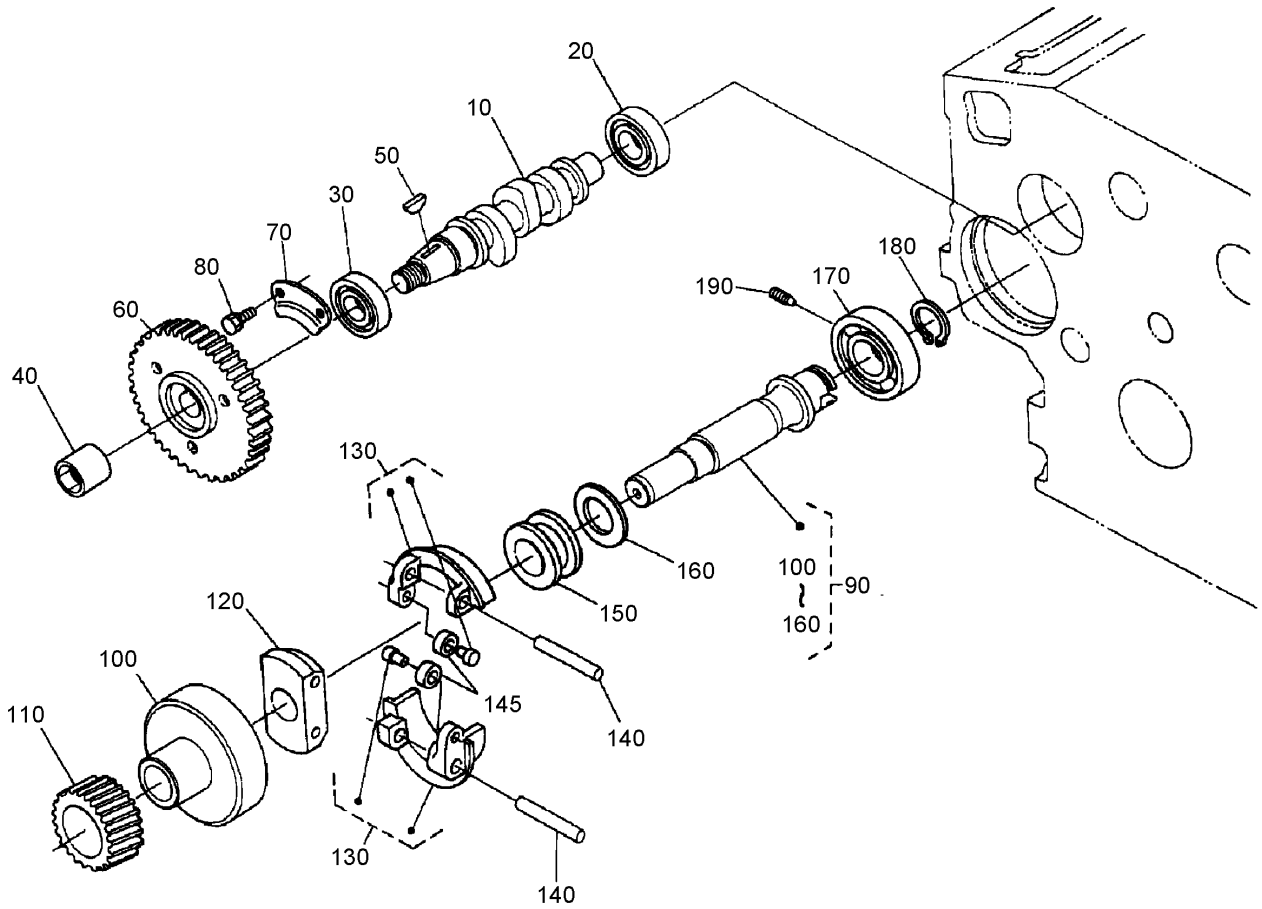


## Piston and Crankshaft Assembly

Ref	Part No.	Qty.	Description
10	98-9470	3	Piston (0.5Mm)
10	98-9469	3	Piston (STD)
20	98-9619	3	Piston Ring ASM (0.5Mm)
20	98-9618	3	Piston Ring ASM (STD)
30	98-9513	3	Pin-Piston
40	98-9514	6	Clip-Circular, Piston Pin
50	98-9516	3	Connecting Rod ASM
60	98-9515	3	Bushing-Pin, Piston
70	98-9517	6	Bolt-Rod, Connecting
80	98-9520	3	Bearing-Rod (0.4Mm)
80	98-9519	3	Bearing-Rod (0.2Mm)
80	98-9518	3	Metal-Crankpin (STD)
90	98-9642	1	Crankshaft ASM
100	98-7473	3	Ball
110	98-9532	1	Gear-Crankshaft
120	98-9666	1	Key
130	98-9542	1	Gear-Drive, Oil Pump
140	98-9522	1	Sleeve-Crankshaft
150	98-9521	1	Collar-Crankshaft
160	105-3783	1	O-Ring
170	98-9523	1	Metal Crankshaft (STD)
170	98-9528	1	Bearing-Main (0.2Mm)
170	98-9529	1	Bearing-Main (0.4Mm)
180	98-9524	2	Metal-Crankshaft (STD Set)

Ref	Part No.	Qty.	Description
180	98-9530	2	Bearing-Main (0.2Mm)
180	98-9531	2	Bearing-Main (0.4Mm)
190	98-9556	1	Bearing-Main (STD)
190	105-3719	1	Metal-Crankshaft (.2Mm)
190	105-3720	1	Metal-Crankshaft (.4Mm)
200	98-9413	2	Bearing-Thrust (STD)
200	98-9414	2	Bearing-Thrust (0.2Mm)
200	98-9415	2	Bearing-Thrust (0.4Mm)
210	98-9688	2	Bearing-Thrust (STD)
210	98-9689	2	Bearing-Thrust (0.2Mm)
210	98-9690	2	Bearing-Thrust (0.4Mm)

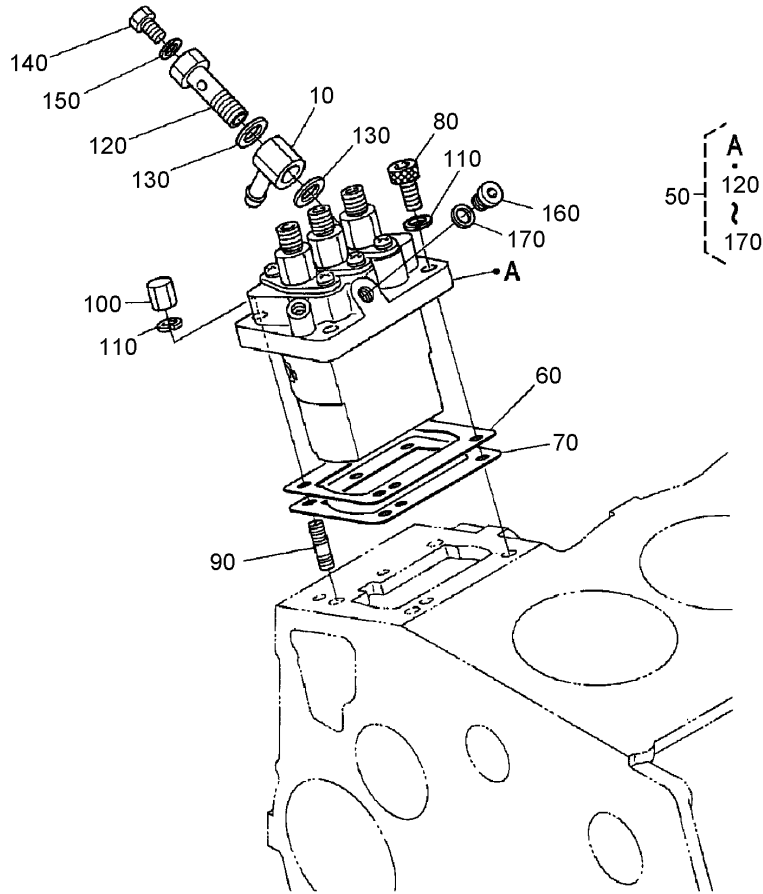




## Fuel Camshaft and Governor Shaft Assembly

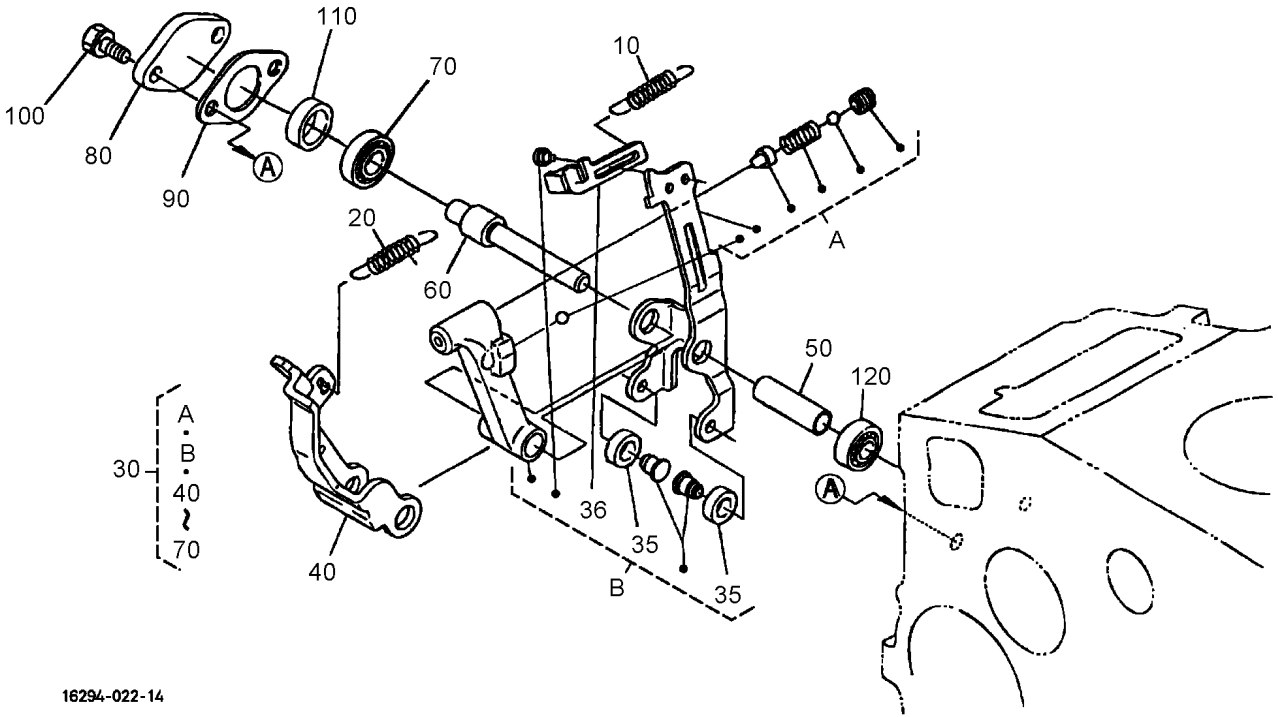
Ref	Part No.	Qty.	Description
10	98-9459	1	Camshaft-Fuel
20	107-9077	1	Bearing-Ball
30	107-9078	1	Bearing-Ball
40	98-9590	1	Nut-Cap
50	98-9595	1	Key-Woodruff
60	98-9669	1	Gear-Pump, Injection
70	98-9511	1	Stopper-Fuel, Camshaft
80	98-9350	2	Bolt
90	98-9644	1	Governor Shaft ASM
100	98-9562	1	Holder-Gear, Governor
110	98-9673	1	Gear-Governor
120	98-9561	1	Holder-Weight, Governor
130	98-9559	2	Governor Weight ASM
140	98-9560	2	Shaft-Weight, Governor
145	98-9692	2	Roller
150	98-9563	1	Sleeve-Governor
160	98-9564	1	Washer-Thrust
170	107-9079	1	Bearing-Ball
180	98-9657	1	Clip-Circular, Governor Shaft
190	98-9565	1	Screw-Set



### Injection Pump Assembly

Ref	Part No.	Qty.	Description
10	98-9596	1	Joint-Eye
50	98-9643	1	Injection Pump ASM
60	98-9457	1	Shim-Injection (0.25Mm)
60	98-9456	1	Shim (0.2Mm)
70	98-9458	1	Shim-Injection (0.30Mm)
80	98-9361	2	Bolt-HSH
90	98-9438	2	Stud
100	98-9440	2	Nut-Cap
110	98-7699	4	Washer-Spring
120	98-9464	1	Bolt-Joint
130	98-9445	2	Gasket
140	98-9430	1	Screw
150	98-9446	1	Gasket
160	98-9466	1	Plug
170	98-9451	1	Gasket



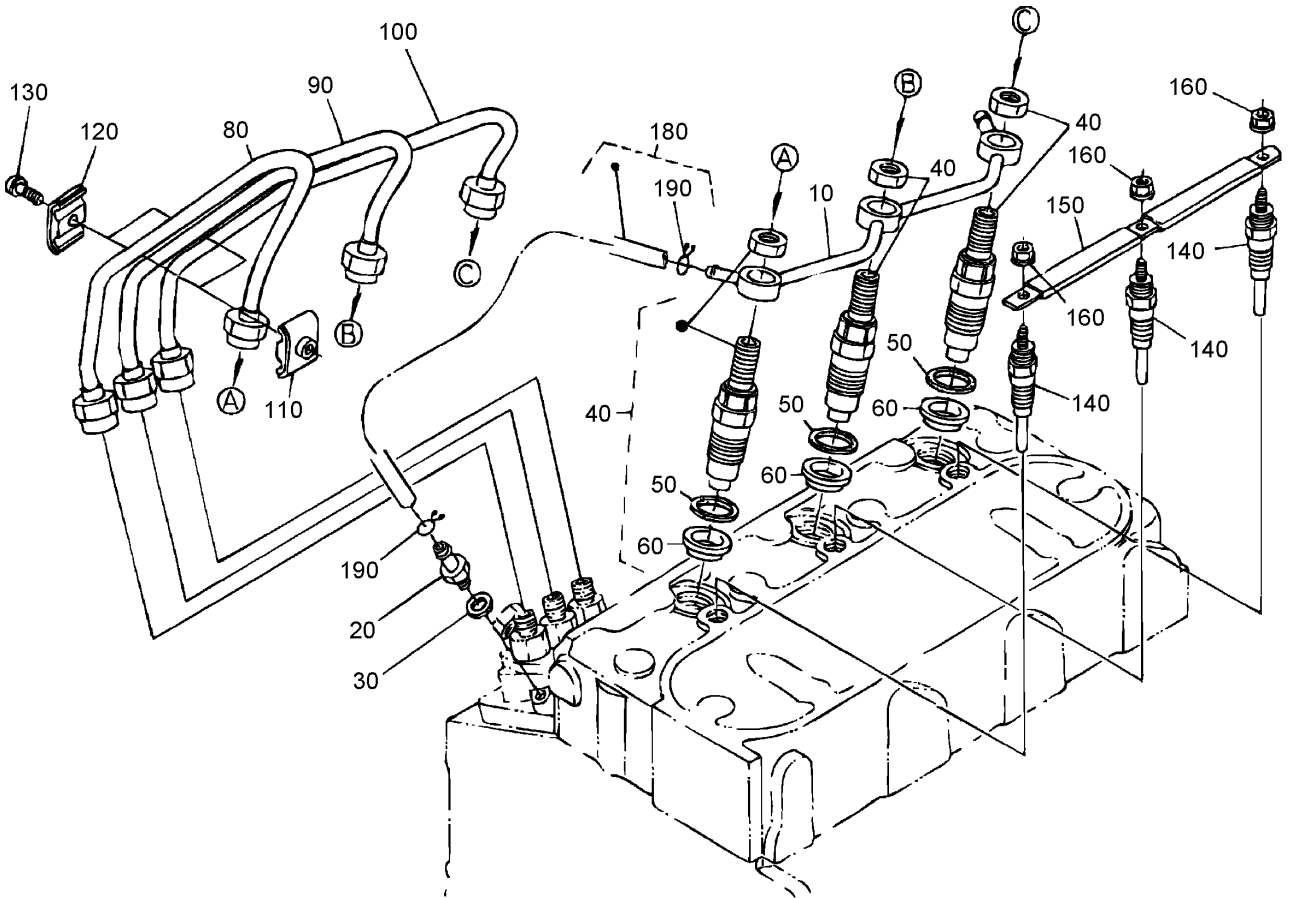
16294-022-14

## Governor Assembly

Ref	Part No.	Qty.	Description
10	105-3786	1	Spring-Start
20	98-9681	1	Spring-Governor
30	107-9082	1	Fork Lever ASM
35	98-9692	2	Roller
36	107-9083	1	Lever-Thrust
40	107-9084	1	Lever-Fork
50	107-9085	1	Shaft-Lever, Fork
60	107-9086	1	Shaft-Lever, Fork
70	98-9570	1	Bearing-Miniaturize
80	98-9569	1	Cover-Shaft, Fork Lever
90	98-9682	1	Gasket
100	98-9351	2	Bolt
110	98-9567	1	Collar
120	98-9571	1	Bearing-Miniaturize

--	--	--	--

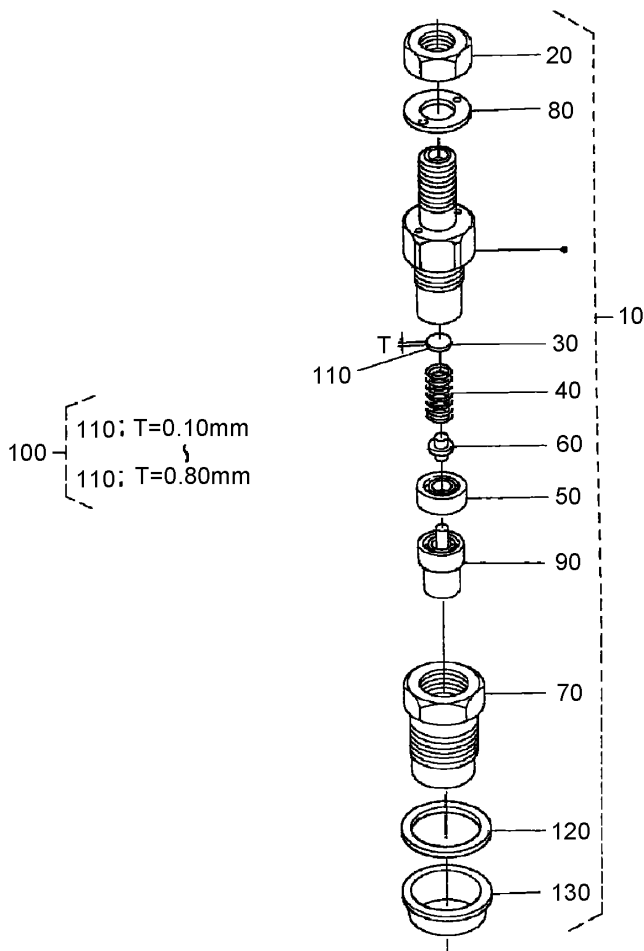




## Nozzle Holder and Glow Plug Assembly

Ref	Part No.	Qty.	Description
10	98-9620	1	Over Flow Pipe ASM
20	98-9431	1	Screw-Bleeder
30	98-7654	1	Gasket
40	108-2866	3	Nozzle Holder Kit
50	98-7676	3	Gasket
60	98-7677	3	Seal
80	98-9653	1	Pipe-Injection
90	98-9654	1	Pipe-Injection
100	98-9655	1	Pipe-Injection
110	98-7682	2	Clamp-Pipe
120	98-7683	2	Clamp-Pipe
130	98-7684	2	Screw W/Washer ASM
140	98-9695	3	Plug-Glow
150	98-9631	3	Cord-Plug, Glow
160	99-8377	3	Nut-Flange
180	98-9420	1	Over Flow Pipe ASM
190	98-7671	2	Clip-Pipe

--	--	--	--

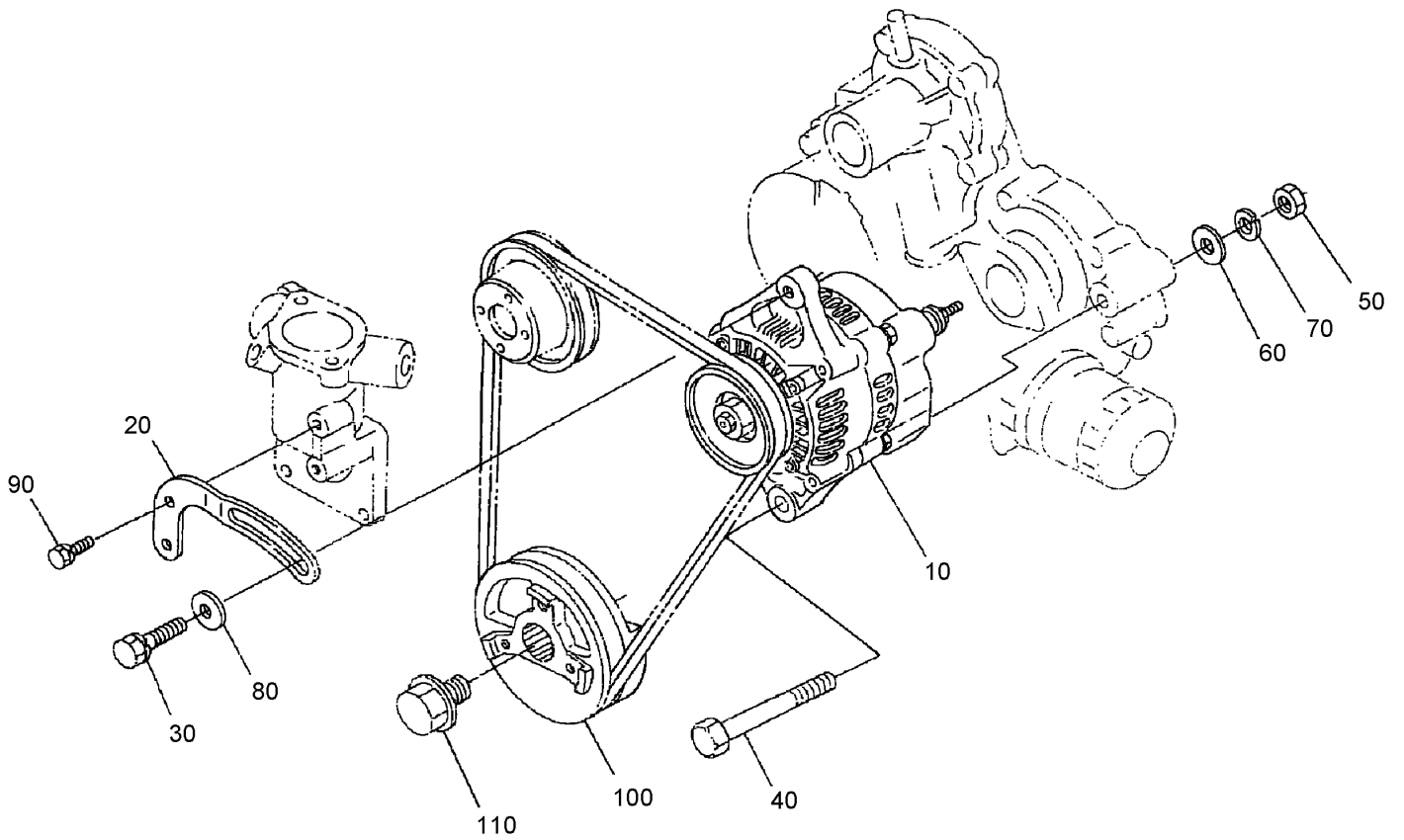


1G347-015-10

### Nozzle Holder (Component Part) Assembly

Ref	Part No.	Qty.	Description
10	108-2866	3	Nozzle Holder Kit
20	99-8301	3	Nut
30	99-8302	3	Washer-Adjusting
40	99-8303	3	Spring-Nozzle
50	99-8304	3	Spacer-Distance
60	99-8305	3	Rod-Push
70	99-8306	3	Nut-Nozzle
80	99-8307	3	Washer-Plain
90	107-7826	3	Piece-Nozzle
100	99-8309	3	Adjusting Washer ASM
110	99-8310	3	Washer-Adjust (0.10Mm)
110	99-8311	3	Washer-Adjust (0.20Mm)
110	99-8312	3	Washer-Adjust (0.30Mm)
110	99-8313	3	Washer-Adjust (0.40Mm)
110	99-8314	3	Washer-Adjust (0.50Mm)
110	99-8315	3	Washer-Adjust (0.52Mm)
110	99-8316	3	Washer-Adjust (0.54Mm)
110	99-8317	3	Washer-Adjust (0.56Mm)
110	99-8318	3	Washer-Adjust (0.58Mm)
110	99-8319	3	Washer-Adjust (0.80Mm)
120	98-7676	3	Gasket
130	98-7677	3	Seal

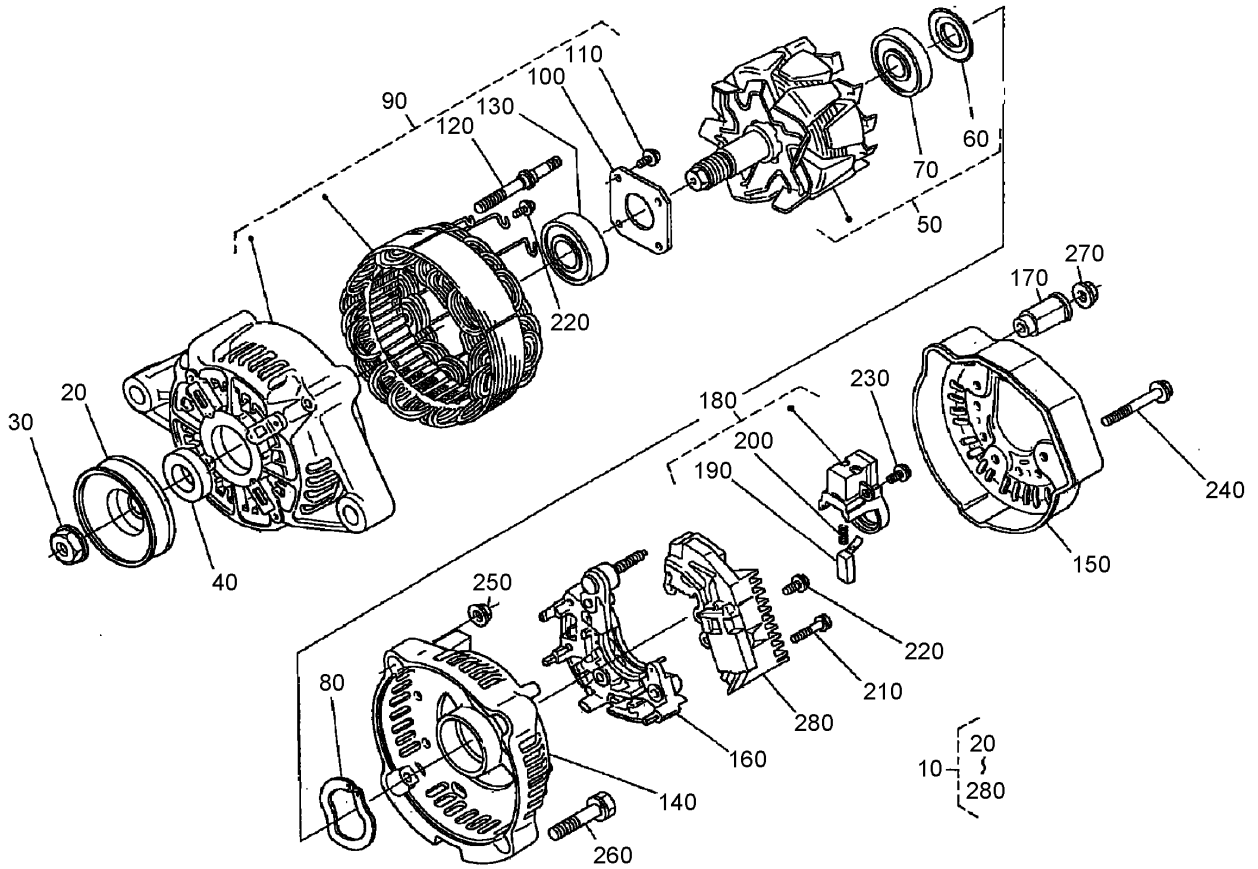
--	--	--	--



## Alternator and Pulley Assembly

Ref	Part No.	Qty.	Description
10	98-9474	1	Alternator ASM
20	98-9573	1	Stay-Dynamo
30	108-7088	1	Bolt
40	98-9360	1	Bolt
50	98-7737	1	Nut
60	3256-24	1	Washer-Flat
70	98-7738	1	Washer-Spring
80	100-9233	1	Washer-Plain
90	98-7692	1	Bolt
100	98-9473	1	Pulley-Drive, Fan
110	98-9585	1	Bolt

--	--	--	--

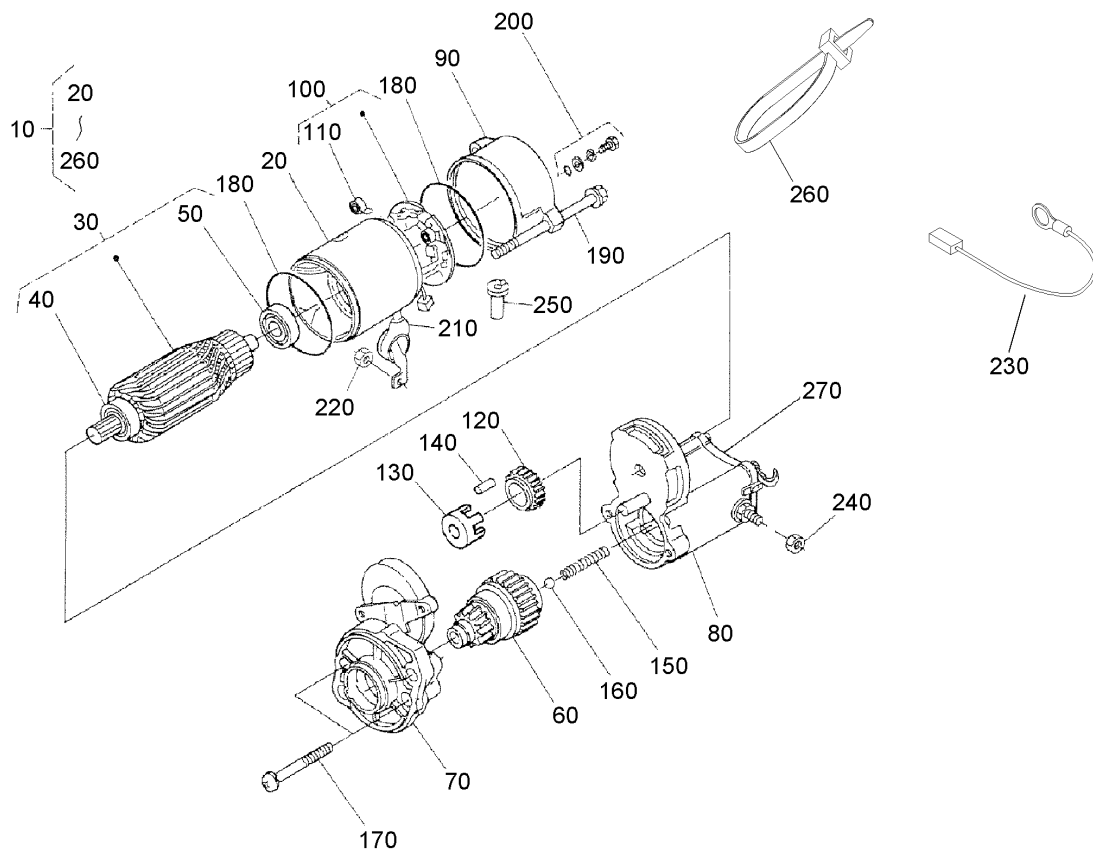


## Alternator Assembly

Ref	Part No.	Qty.	Description
10	98-9474	1	Alternator ASM
20	98-9453	1	Pulley-Dynamo
30	98-7708	1	Nut
40	98-7709	1	Collar
50	107-0136	1	Rotor
60	98-7711	1	Cover-Bearing
70	107-0138	1	Bearing-Ball
80	98-7713	1	Washer-Thrust
90	107-0139	1	Drive End Frame ASM
100	98-7715	1	Plate-Retainer
110	98-7716	4	Screw-Head, Round
120	98-7717	2	Bolt-Through
130	107-0137	1	Bearing-Ball
140	107-9087	1	Frame-End
150	107-0140	1	Cover-End
160	98-9476	1	Rectifier ASM
170	98-7722	1	Bushing-Insulation
180	107-0141	1	Holder-Brush
190	98-7724	2	Brush
200	98-7725	2	Spring-Brush
210	98-7726	2	Screw-Head, Round
220	98-7727	6	Screw-Head, Round
230	98-7728	1	Screw-Head, Round
240	98-7729	3	Bolt

Ref	Part No.	Qty.	Description
250	98-7730	2	Nut
260	98-7731	2	Bolt
270	98-7732	1	Nut
280	107-9088	1	Regulator ASM

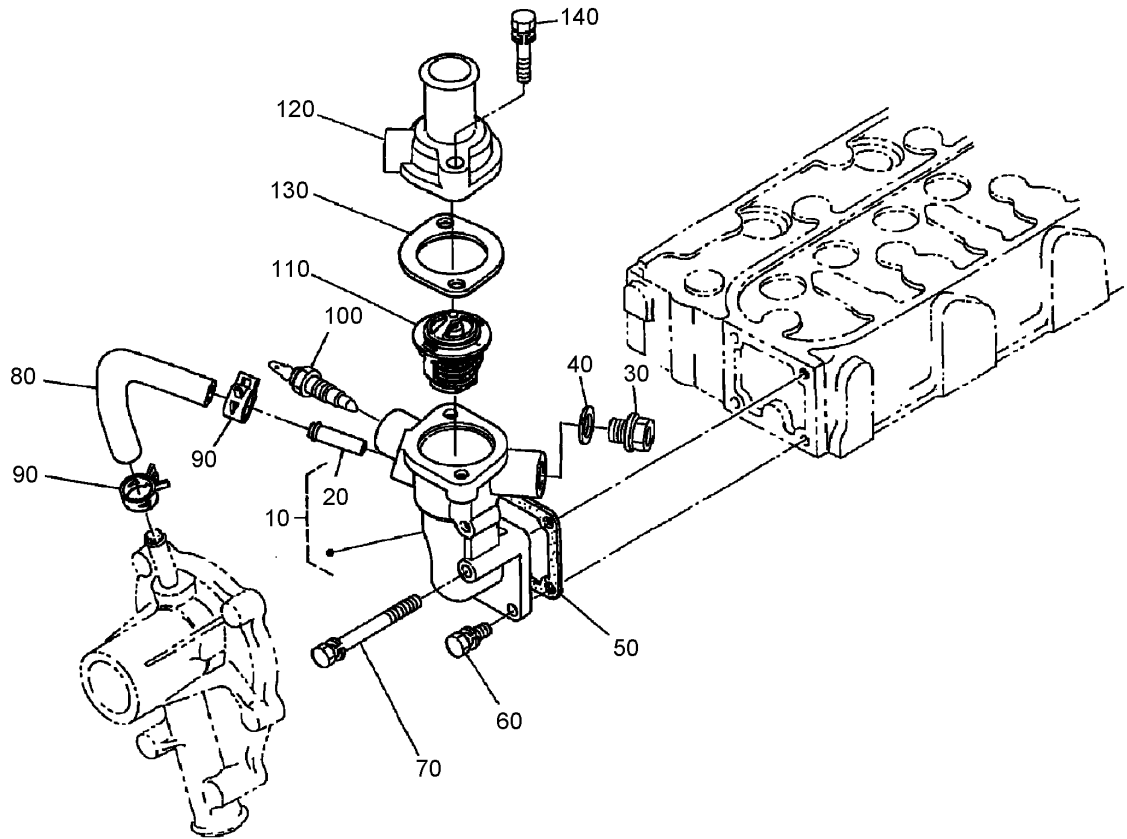




## Starter Assembly

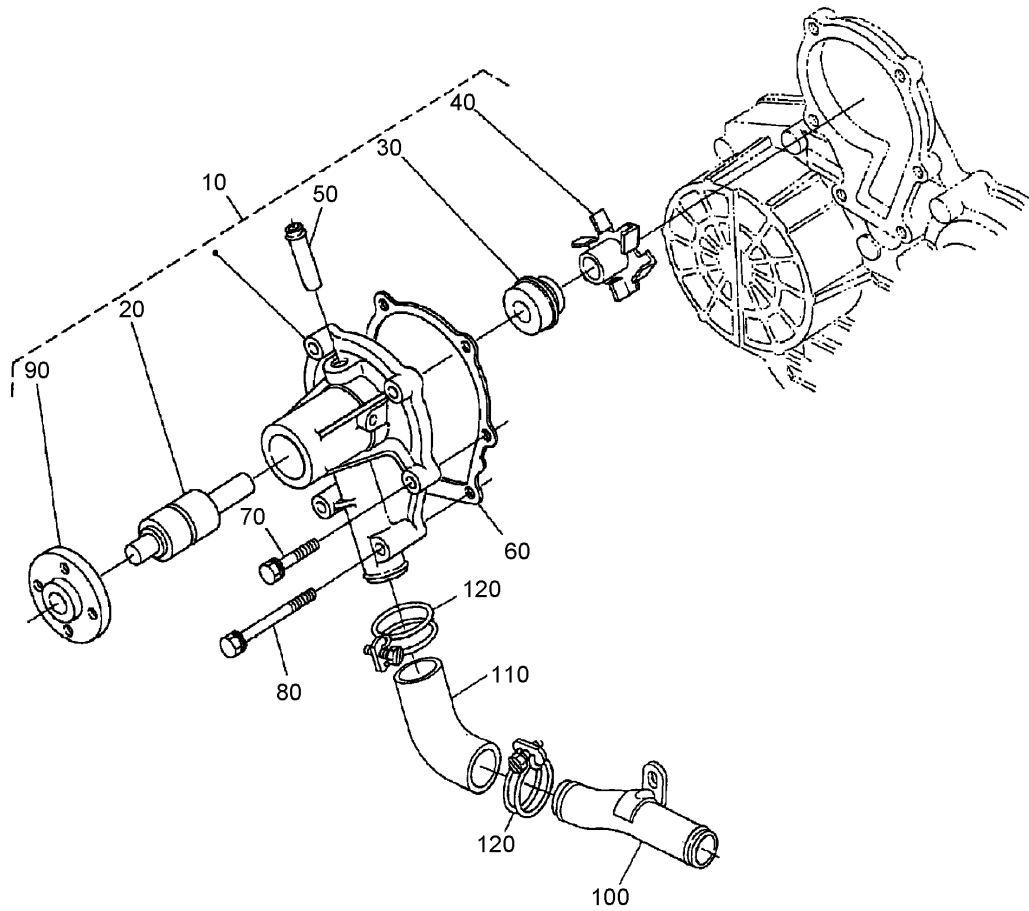
Ref	Part No.	Qty.	Description
10	98-9705	1	Starter ASM
20	104-8608	1	Yoke ASM
30	98-7742	1	Armature ASM
40	98-7744	1	Bearing
50	98-7743	1	Bearing
60	99-8373	1	Clutch-Running, Over
70	99-8374	1	Frame-End, Drive
80	105-3746	1	Magnetic Switch ASM
90	98-7748	1	Frame-End
100	98-7749	1	Brush Holder ASM
110	98-7750	4	Spring-Brush
120	98-7751	1	Gear
130	98-7752	1	Retainer
140	98-7753	5	Roller
150	98-7754	1	Spring
160	98-7755	1	Ball
170	98-7756	2	Bolt
180	98-7757	2	O-Ring
190	100-9240	2	Bolt
200	98-7758	2	Bolt ASM
210	99-8375	1	Cover
220	99-8371	1	Nut-Hex
230	98-9711	1	Cord-Solenoid, Stop
240	99-8376	1	Nut-Hex

Ref	Part No.	Qty.	Description
250	98-7759	1	Pipe-Drain
260	98-9712	1	Band-Cover
270	105-2886	1	Cover ASM



## Water Flange and Thermostat Assembly

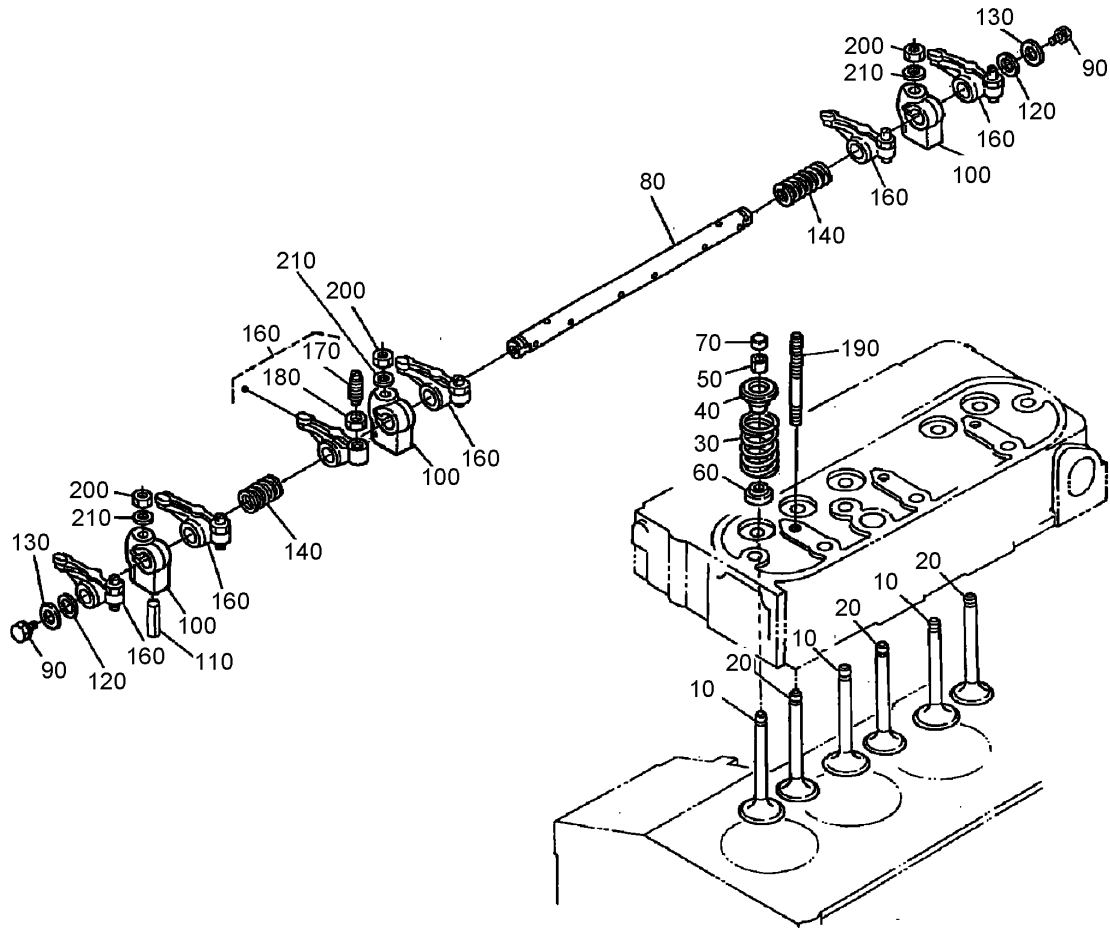
Ref	Part No.	Qty.	Description
10	98-9713	1	Water Flange ASM
20	98-9580	1	Pipe-Return, Water
30	105-3747	1	Plug
40	99-3583	1	Packing
50	98-9638	1	Gasket-Flange, Water
60	98-7692	3	Bolt
70	98-9356	1	Bolt
80	98-9578	1	Pipe-Return, Water
90	98-9579	2	Band-Pipe
100	98-9719	1	Thermoswitch
110	98-7778	1	Thermostat ASM
120	98-9471	1	Cover-Thermostat
130	105-3748	1	Gasket-Thermostat
140	98-7777	2	Bolt



## Water Pump and Pipe Assembly

Ref	Part No.	Qty.	Description
10	107-9089	1	Water Pump ASM
20	99-3517	1	Bearing-Pump, Water
30	105-3750	1	Mechanical Seal ASM
40	99-3519	1	Impeller-Pump, Water
50	98-9577	1	Pipe-Return, Water
60	99-3454	1	Gasket-Pump, Water
70	98-9353	4	Bolt
80	107-9090	2	Bolt
90	99-3516	4	Flange-Pump, Water
100	98-9716	1	Pipe-Water
110	107-9091	1	Pipe-Water
120	98-9717	2	Clamp

--	--	--	--



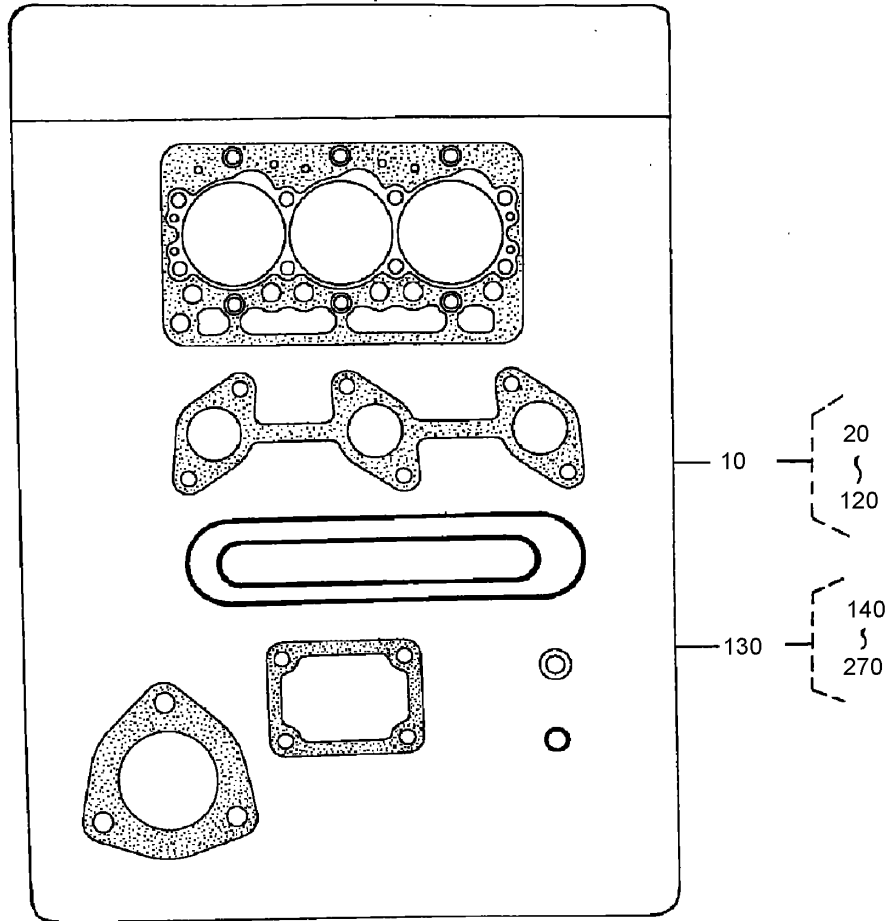
## Valve and Rocker Arm Assembly

Ref	Part No.	Qty.	Description
10	98-9494	3	Valve-Inlet
20	98-9495	3	Valve-Exhaust
30	98-9648	6	Spring-Valve
40	107-9092	6	Retainer-Spring
50	98-9390	6	Collet-Set, Valve Spring
60	99-8385	6	Seat-Stem, Valve
70	98-9497	6	Cap-Valve
80	105-3790	1	R-Arm Shaft ASM
90	100-9265	2	Bolt
100	98-9505	3	Bracket-Arm, Rocker
110	105-3758	1	Pin-Spring
120	98-9507	2	Washer-Shaft, R-Arm
130	3256-1	2	Washer-Flat
140	98-9504	2	Spring-Arm, Rocker
160	98-9501	6	Rocker Arm ASM
170	98-9502	6	Screw-Adjusting
180	98-9503	6	Nut
190	98-9506	3	Stud
200	98-9393	3	Nut
210	98-9385	3	Washer-Flat

--	--	--	--







### Gasket Kit Assembly

Ref	Part No.	Qty.	Description
10	107-7848	1	Upper Gasket Kit
130	107-9095	1	Lower Gasket Kit

--	--	--	--

# Attachments and Accessories

## For 30630 - Groundsmaster 328-D

<b>Product Name</b>	<b>Model/Part</b>
Jack Pad Kit .....	106-4386
2-Wheel Drive Rear Axle Kit .....	106-8060
Tire Chains 23 x 8.50-12 .....	11-0390
Wheel Weight Kit .....	11-0440
Tube-Inner, 23 x 8.50-12 .....	231-90
Rear Weight Kit .....	24-5780
Weight-Rear .....	24-5790-01
Standard Seat Kit .....	30623
Deluxe Seat Kit .....	30625
Seat Adapter Kit .....	30628
Cruise Control Kit .....	30677
Arm Rest Kit .....	30707
72in Rear Discharge Mower .....	30710
Quick Attach Adapter Kit .....	30711
72in Guardian Recycler Mower .....	30716
Mowers and Boom Quick Attach Adapter Kit .....	30719
72in Side Discharge Mower .....	30722
Recycler Mower Quick Attach Adapter Kit .....	30729
Rotary Broom .....	30743
48in V-Plow .....	30750
48in V-Plow Mounting Kit .....	30757
72in Mower Mulching Kit .....	30799
Debris Blower .....	30855
4-Ply Wide Wheel and Tire ASM .....	62-7020
Wheel And Tire ASM .....	69-9870
Spark Arrestor Screen .....	75-6880

