



**G132**

**Wheel Horse<sup>®</sup> Rear Engine Riding Mower**

**Model No. 70185—Serial No. 25000001 and Up**

**Operator's Manual**



**Important** The engine in this product is not equipped with a spark arrester muffler. In some areas it is a violation of the law to use or operate this engine on any forest-covered, brush-covered, or grass-covered land.

# Contents

	<b>Page</b>
Introduction .....	2
Safety .....	3
Safe Operation Practices for Ride-on (Riding)	
Rotary Lawn Mowers .....	3
Toro Riding Mower Safety .....	5
Sound Pressure Level .....	5
Sound Power Level .....	5
Vibration Level .....	5
Slope Chart .....	7
Safety and Instruction Decals .....	9
Gasoline and Oil .....	11
Recommended Gasoline .....	11
Using Stabilizer/Conditioner .....	11
Filling the Fuel Tank .....	11
Checking the Engine Oil Level .....	11
Operation .....	12
Controls .....	12
Using the Parking Brake .....	12
Positioning the Seat .....	12
Using the Blade Control (PTO) .....	12
Setting the Height of Cut .....	13
Starting the Engine .....	13
Stopping the Engine .....	14
Driving the Machine Forward or Backward .....	14
Selecting Ground Speeds .....	14
Stopping the Machine .....	15
Pushing the Machine Manually .....	15
Using the Safety Interlock System .....	15
Testing the Safety Interlock System .....	16
Emptying the Grass Collector .....	17
Installing the Recycler) Cover .....	18
Installing the Discharge Chute .....	19
Operating Tips .....	20
Maintenance .....	21
Recommended Maintenance Schedule .....	21
Servicing the Engine Oil .....	22
Servicing the Battery .....	23
Servicing the Air Cleaner .....	25
Servicing the Spark Plug .....	26
Checking the Tire Pressure .....	27
Greasing and Lubricating the Machine .....	27
Checking the Parking Brake .....	27

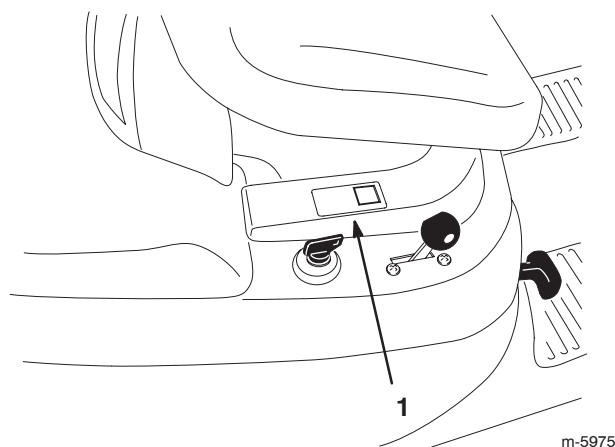
	<b>Page</b>
Draining the Fuel Tank .....	28
Replacing the Fuel Filter .....	28
Servicing the Fuses .....	28
Servicing the Blade .....	29
Leveling the Mower .....	30
Washing under the Mower .....	30
Washing the Machine .....	31
Cleaning and Storage .....	31
Wiring Diagram .....	33
Troubleshooting .....	34

# Introduction

Read this manual carefully to learn how to operate and maintain your product properly. The information in this manual can help you and others avoid injury and product damage. Although Toro designs and produces safe products, you are responsible for operating the product properly and safely.

You may contact Toro directly at [www.Toro.com](http://www.Toro.com) for product and accessory information, help finding a dealer, or to register your product.

Whenever you need service, genuine Toro parts, or additional information, contact an Authorized Service Dealer or Toro Customer Service and have the model and serial numbers of your product ready. Figure 1 illustrates the location of the model and serial numbers on the product.



**Figure 1**

1. Location of the model and serial numbers

Write the product model and serial numbers in the space below:

<b>Model No.</b> _____
<b>Serial No.</b> _____

This manual identifies potential hazards and has special safety messages that help you and others avoid personal injury and even death. **Danger**, **Warning**, and **Caution** are signal words used to identify the level of hazard. However, regardless of the hazard, be extremely careful.

**Danger** signals an extreme hazard that **will** cause serious injury or death if you do not follow the recommended precautions.

**Warning** signals a hazard that **may** cause serious injury or death if you do not follow the recommended precautions.

**Caution** signals a hazard that may cause minor or moderate injury if you do not follow the recommended precautions.

This manual uses 2 other words to highlight information.

**Important** calls attention to special mechanical information and **Note**: emphasizes general information worthy of special attention.

# Safety

## Safe Operation Practices for Ride-on (Riding) Rotary Lawn Mowers

**Read and understand the contents of this manual before operating the machine.**

**▲ This is the safety alert symbol. It is used to alert you to potential personal injury hazards. Obey all safety messages that follow this symbol to avoid possible injury or death.**

The following instructions are from the CEN standard EN 836:1997.

This product is capable of amputating hands and feet and of throwing objects. Always follow all safety instructions to avoid serious injury or death.

### Training

- Read the instructions carefully. Be familiar with the controls and the proper use of the equipment.
- Never allow children or people unfamiliar with these instructions to use the lawnmower. Local regulations can restrict the age of the operator.

- Never mow while people, especially children, or pets are nearby.
- Keep in mind that the operator or user is responsible for accidents or hazards occurring to other people or their property.
- Do not carry passengers.
- All drivers should seek and obtain professional and practical instruction. Such instruction should emphasize:
  - the need for care and concentration when working with ride-on machines;
  - control of a ride-on machine sliding on a slope will not be regained by the application of the brake. The main reasons for loss of control are:
    - insufficient wheel grip;
    - being driven too fast;
    - inadequate braking;
    - the type of machine is unsuitable for its task;
    - lack of awareness of the effect of ground conditions, especially slopes;
    - incorrect hitching and load distribution.

### Preparation

- While mowing, always wear substantial footwear and long trousers. Do not operate the equipment when barefoot or wearing open sandals.
- Thoroughly inspect the area where the equipment is to be used and remove all objects which may be thrown by the machine.
- **Warning**—Fuel is highly flammable.
  - Store fuel in containers specifically designed for this purpose.
  - Refuel outdoors only and do not smoke while refuelling.
  - Add fuel before starting the engine. Never remove the cap of the fuel tank or add fuel while the engine is running or when the engine is hot.
  - If fuel is spilled, do not attempt to start the engine but move the machine away from the area of spillage and avoid creating any source of ignition until fuel vapors have dissipated.
  - Replace all fuel tanks and container caps securely.
- Replace faulty silencers.
- Before using, always visually inspect to see that the blade, blade bolt and cutter assembly are not worn or damaged.

## Operation

- Do not operate the engine in a confined space where dangerous carbon monoxide fumes can collect.
- Mow only in daylight or in good artificial light.
- Before attempting to start the engine, disengage all blade attachment clutches and shift into neutral.
- Do not use on slopes of more than
  - 5° when mowing on side hills;
  - 10° when mowing uphill;
  - 15° when mowing downhill.
- Remember there is no such thing as a safe slope. Travel on grass slopes requires particular care. To guard against overturning:
  - do not stop or start suddenly when going up or downhill;
  - engage clutch slowly, always keep machine in gear, especially when travelling downhill;
  - machine speeds should be kept low on slopes and during tight turns;
  - stay alert for humps and hollows and other hidden hazards;
- Use care when pulling loads or using heavy equipment.
  - Use only approved drawbar hitch points.
  - Limit loads to those you can safely control.
  - Do not turn sharply. Use care when reversing.
- Watch out for traffic when crossing or near roadways.
- Stop the blades from rotating before crossing surfaces other than grass.
- When using any attachments, never direct discharge of material toward bystanders nor allow anyone near the machine while in operation.
- Never operate the machine with damaged guards or without safety protective devices in place.
- Do not change the engine governor settings or overspeed the engine. Operating the engine at excessive speed can increase the hazard of personal injury.
- Before leaving the operator's position:
  - disengage the power take-off and lower the attachments;
  - change into neutral and set the parking brake;
  - stop the engine and remove the key.
- Disengage drive to attachments, stop the engine, and disconnect the spark plug wire or remove the ignition key
  - before clearing blockages or unclogging chute;
  - before checking, cleaning or working on the lawnmower;
  - after striking a foreign object. Inspect the lawnmower for damage and make repairs before restarting and operating the equipment;
  - if the machine starts to vibrate abnormally (check immediately).
- Disengage drive to attachments when transporting or not in use.
- Stop the engine and disengage drive to attachment
  - before refuelling;
  - before removing the grass catcher;
  - before making height adjustment unless adjustment can be made from the operator's position.
- Reduce the throttle setting during engine run-out and, if the engine is provided with a shut-off valve, turn the fuel off at the conclusion of mowing.

## Maintenance and Storage

- Keep all nuts, bolts and screws tight to be sure the equipment is in safe working condition.
- Never store the equipment with fuel in the tank inside a building where fumes can reach an open flame or spark.
- Allow the engine to cool before storing in any enclosure.
- To reduce the fire hazard, keep the engine, silencer, battery compartment and fuel storage area free of grass, leaves, or excessive grease.
- Check the grass catcher frequently for wear or deterioration.
- Replace worn or damaged parts for safety.
- If the fuel tank has to be drained, this should be done outdoors.
- When machine is to be parked, stored or left unattended, lower the cutting means unless a positive mechanical lock is used.

## **Toro Riding Mower Safety**

The following paragraph contains safety information specific to Toro products or other safety information that you must know that is not included in the CEN standard.

Use only Toro-approved attachments. Warranty may be voided if used with unapproved attachments.

### **Sound Pressure Level**

This unit has a maximum sound pressure level at the operator's ear of 87 dBA, based on measurements of identical machines per Directive 98/37/EC.

### **Sound Power Level**

This unit has a guaranteed sound power level of 100 dBA, based on measurements of identical machines per Directive 2000/14/EC.

### **Vibration Level**

This unit does not exceed a whole body vibration level of 0.5 m/s<sup>2</sup> based on measurements of identical machines per Directive 98/37/EC.



# Slope Chart





# Safety and Instruction Decals



Safety decals and instructions are easily visible to the operator and are located near any area of potential danger. Replace any decal that is damaged or lost.



**99-2986**

1. Crushing/dismemberment hazard of bystanders—do not turn the key while children are present; keep children a safe distance from the machine.



**105-0532**

1. Engage the cutting blade.



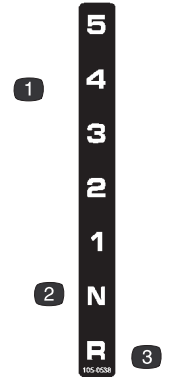
**105-0535**

1. Grass collector full
2. Operating in reverse



**105-0529**

1. Warning—do not touch the hot surface.



**105-0538**

1. Transmission speeds
2. Neutral
3. Reverse



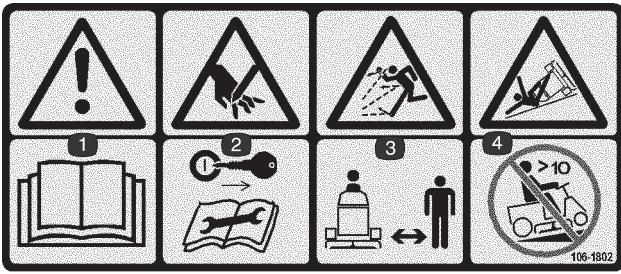
**105-0530**

1. Height of cut



**105-0531**

1. Disengage the cutting blade.



**106-1802**

1. Warning—read the *Operator's Manual*.
2. Cutting hazard of hand—remove the ignition key and read the instructions before servicing or performing maintenance.
3. Thrown object hazard—keep bystanders a safe distance from the machine.
4. Tipping hazard—do not drive up a slope greater than 10 degrees.



**106-2859**

1. Clutch



**106-2940**

1. Warning—do not place your hands or feet under the mower.



**106-2942**

1. Turn the key to mow in reverse.



**106-2943**

1. Thrown object and cutting hazards—do not operate the machine with the discharge opening uncovered; always operate the machine with the recycling cover, rear discharge deflector, or grass collector installed.



**Molded into the floor near the brake pedal**

1. Brake



**Molded into the floor near the parking brake lever**

1. Parking brake



**Molded into the body near the throttle control lever**

1. Fast
2. Slow
3. Choke



**Molded into the body near the ignition switch**



1. Engine

# Gasoline and Oil

## Recommended Gasoline

Use unleaded regular gasoline suitable for automotive use (85 pump octane minimum). You may use leaded regular gasoline if unleaded regular is not available.

**Important** Never use methanol, gasoline containing methanol, or gasohol containing more than 10% ethanol because the fuel system could be damaged. Do not mix oil with gasoline.

 **Danger** 

**In certain conditions, gasoline is extremely flammable and highly explosive. A fire or explosion from gasoline can burn you and others and can damage property.**

- **Fill the fuel tank outdoors in an open area when the engine is cold. Wipe up any gasoline that spills.**
- **Do not fill the fuel tank completely full. Add gasoline to the fuel tank until the level is 6 to 13 mm below the bottom of the filler neck. This empty space in the tank allows the gasoline to expand.**
- **Never smoke when handling gasoline, and stay away from an open flame or where a spark may ignite the gasoline fumes.**
- **Store gasoline in an approved container and keep it out of the reach of children.**
- **Never buy more than a 30-day supply of gasoline.**
- **Always place gasoline containers on the ground away from your vehicle before filling.**
- **Do not fill gasoline containers inside a vehicle or on a truck or trailer bed because interior carpets or plastic truck bed liners may insulate the container and slow the loss of any static charge.**
- **When practical, remove gas-powered equipment from the truck or trailer and refuel the equipment with its wheels on the ground.**
- **If this is not possible, refuel such equipment on a truck or trailer from a portable container, not from a gasoline dispenser nozzle.**
- **If you must use a gasoline dispenser, keep the nozzle in contact with the rim of the fuel tank or container opening at all times until fueling is complete.**

## Using Stabilizer/Conditioner

Use a fuel stabilizer/conditioner in the machine to provide the following benefits:

- It keeps gasoline fresh during storage for up to 90 days. For longer storage, drain the fuel tank.
- It cleans the engine while it runs.
- It eliminates gum-like varnish buildup in the fuel system, which causes hard starting.

**Important** Do not use fuel additives containing methanol or ethanol.

Add the correct amount of fuel stabilizer/conditioner to the gasoline.

**Note:** A fuel stabilizer/conditioner is most effective when it is mixed with fresh gasoline. To minimize the chance of varnish deposits in the fuel system, use a fuel stabilizer/conditioner at all times.

## Filling the Fuel Tank

1. Stop the engine and wait for all moving parts to stop.
2. Set the parking brake.
3. Clean around the fuel tank cap and remove the cap.
4. Add unleaded regular gasoline to the fuel tank until the level is 6 to 13 mm below the bottom of the filler neck. **Do not fill the fuel tank completely full.**

**Note:** This space in the tank allows gasoline to expand.
5. Install the fuel tank cap securely.
6. Wipe up any gasoline that spills.

## Checking the Engine Oil Level

Before you start the engine and use the machine, check the oil level in the engine crankcase; refer to Checking the Oil Level on page 22.

# Operation

**Note:** Determine the left and right sides of the machine from the normal operating position.

## Controls

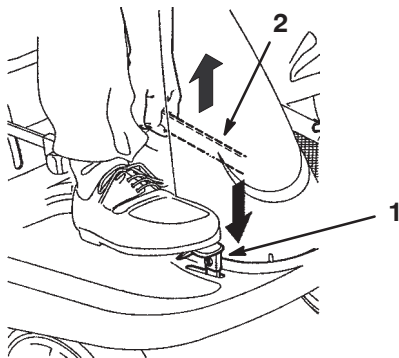
Become familiar with the controls before you start the engine and operate the machine.

## Using the Parking Brake

Always set the parking brake whenever you stop the machine or leave it unattended.

### Setting the Parking Brake

1. Push the brake pedal (Fig. 2) down and hold it.



**Figure 2**

1. Brake pedal
2. Parking brake lever

2. Lift the parking brake lever (Fig. 2) up and gradually take your foot off of the brake pedal.

**Note:** The brake pedal should stay in the depressed (locked) position.

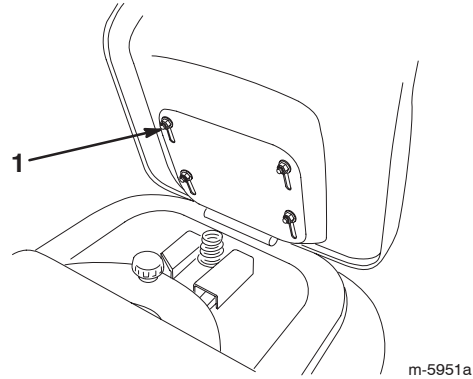
### Releasing the Parking Brake

1. Push down on the brake pedal (Fig. 2) and hold it.
2. Push the parking brake lever (Fig. 2) down and gradually release the brake pedal.

## Positioning the Seat

The seat can move forward and backward. Position the seat where you have the best control of the machine and are most comfortable.

1. Raise the seat and loosen the 4 bolts (Fig. 3).



**Figure 3**

1. Bolt (4)

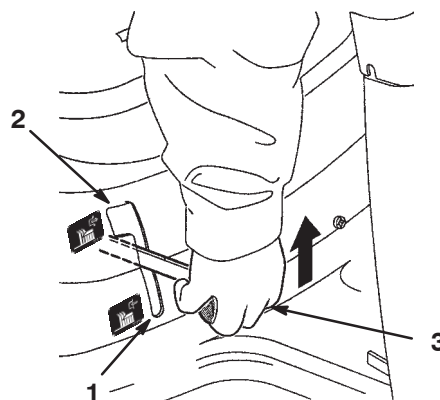
2. Move the seat to the desired position and tighten the bolts.

## Using the Blade Control (PTO)

The blade control (PTO) lever engages and disengages power to the blade.

### Engaging the Blade

1. Depress the brake pedal to stop the machine.
2. Slowly shift the blade control (PTO) to Engage (Fig. 4).



**Figure 4**

1. Disengage
2. Engage
3. Blade control (PTO)

## Disengaging the Blade

1. Depress the brake pedal to stop the machine.
2. Shift the blade control (PTO) to Disengage (Fig. 4).

## Setting the Height of Cut

Use the height-of-cut lever to raise and lower the mower to the desired cutting height. You can set the cutting height to 1 of 4 positions from approximately 3.8 to 9 cm.

1. Disengage the blade control (PTO).
2. Pull on the height-of-cut lever, move it to the desired position, and release it slowly into the notch (Fig. 5).

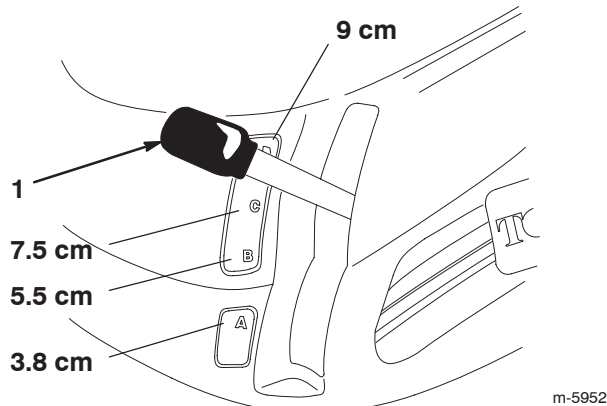


Figure 5

1. Height-of-cut lever

## Starting the Engine

1. Sit down on the seat.
2. Set the parking brake; refer to Setting the Parking Brake on page 12.

**Note:** The engine will not start unless you engage the parking brake.

3. Shift the ground speed lever into Neutral (N) (Fig. 6).

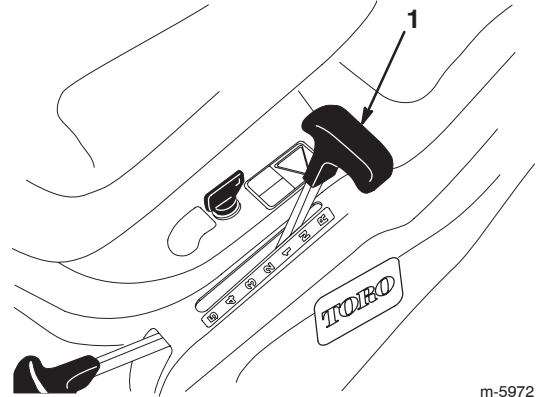


Figure 6

1. Ground speed lever

4. Shift the blade control (PTO) lever to Disengage (Fig. 7).

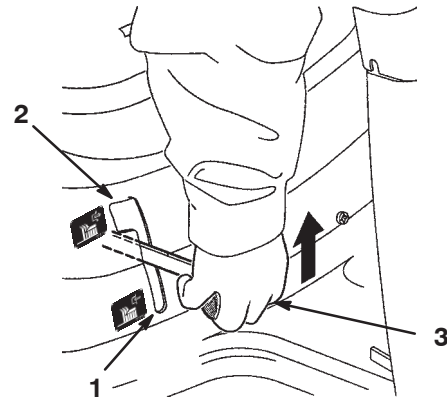
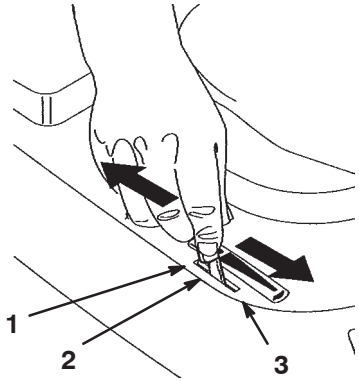


Figure 7

1. Disengage
2. Engage
3. Blade control (PTO)

- Shift the throttle lever to Choke (Fig. 8).

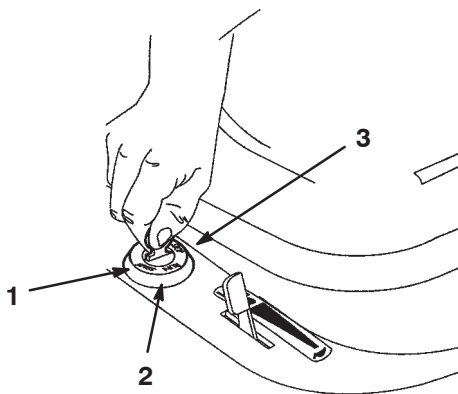


**Figure 8**

- |          |         |
|----------|---------|
| 1. Choke | 3. Slow |
| 2. Fast  |         |

**Note:** An engine that has been running and is warm may not require step 5.

- Turn the ignition key clockwise and hold it in the Start position (Fig. 9). When the engine starts, release the key.



**Figure 9**

- |          |         |
|----------|---------|
| 1. Start | 3. Stop |
| 2. Run   |         |

**Important** If the engine does not start after 30 seconds of continuous cranking, turn the ignition key to Stop and let the starter motor cool; refer to Troubleshooting on page 34.

- After the engine starts, slowly shift the throttle lever to Fast (Fig. 8). If the engine stalls or hesitates, shift the throttle lever back to Choke for a few seconds and then shift the throttle lever to Fast. Repeat this step as required.

## Stopping the Engine

- Shift the throttle lever to Slow (Fig. 8).
- Turn the ignition key to Stop (Fig. 9).
- Remove the ignition key.

## Driving the Machine Forward or Backward

The throttle control regulates the engine speed as measured in RPM (revolutions per minute).

- Release the parking brake; refer to Releasing the Parking Brake on page 12.
- Depress the brake pedal.
- Shift the ground speed lever to the desired forward speed or to Reverse.

**Note:** As you slowly release the pedal, the machine will begin to move. Steer the machine with the steering wheel.

	<b>Caution</b>	
<p><b>Suddenly releasing the clutch pedal could cause you to lose control and suddenly put the machine in motion.</b></p> <p><b>Always release the clutch pedal slowly when starting the machine in motion.</b></p>		

## Selecting Ground Speeds

**Important** To avoid transmission damage, always depress the brake pedal before shifting into or out of Reverse.

Always start the machine in motion by depressing the brake pedal and shifting into the desired speed. Once the machine is in motion, you can shift into any forward speed without depressing the brake pedal. In most conditions, the machine is powerful enough to move out in any speed. If it will not move out in a selected speed due to a heavy load, shift to a lower speed.

**Important** Do not shift on slopes. Choose a slow speed so that you will not have to stop or shift while on the slope.

## Stopping the Machine

1. Depress the brake pedal.
2. Shift the ground speed lever into Neutral.
3. Disengage the blade control (PTO).
4. Turn the ignition key to Off to stop the engine.
5. Wait for all moving parts to stop.
6. Set the parking brake if you leave the machine unattended; refer to Setting the Parking Brake on page 12.
7. Remove the ignition key from the switch.



### Caution



**Children or bystanders may be injured if they move or attempt to operate the machine while it is unattended.**

**Always remove the ignition key and set the parking brake when leaving the machine unattended, even if just for a few minutes.**

**Important** To prevent excessive wear, do not “ride the brakes.” Shift the ground speed lever to a lower speed so that you will not have to stop or shift while on the slope.

## Pushing the Machine Manually

**Important** Always push the machine manually. Never tow the machine because transaxle damage may occur.

1. Shift the ground speed lever to Neutral.
2. Disengage the blade (PTO).
3. Stop the engine and wait for all moving parts to stop.
4. Remove the ignition key.
5. Disengage the parking brake.

## Using the Safety Interlock System



### Caution



**If the safety interlock switches are disconnected or damaged, the machine could operate unexpectedly, causing personal injury.**

- **Do not tamper with the interlock switches.**
- **Check the operation of the interlock switches daily and replace any damaged switches before operating the machine.**

## Understanding the Safety Interlock System

The safety interlock system is designed to prevent the engine from starting unless:

- You are sitting on the seat.
- The brake pedal is depressed.
- The blade control (PTO) lever is in the Disengage position.

The safety interlock system is designed to stop the engine if you do the following:

- You rise from the seat when the clutch/brake pedal is released.
- You rise from the seat when the blade control (PTO) lever is in the Engage position.
- You shift into reverse while the blade control (PTO) lever is in the Engage position and the operating-in-reverse interlock is not deactivated.

## Setting the KeyChoice<sup>®</sup> Switch to Operate in Reverse

An interlock feature on the machine prevents the power take-off (PTO) from operating when you back up the machine. If you shift the ground speed lever into Reverse with the PTO engaged (i.e., with mower blades or other attachment running), the engine will stop. **Do not mow in reverse unless it is absolutely necessary.**

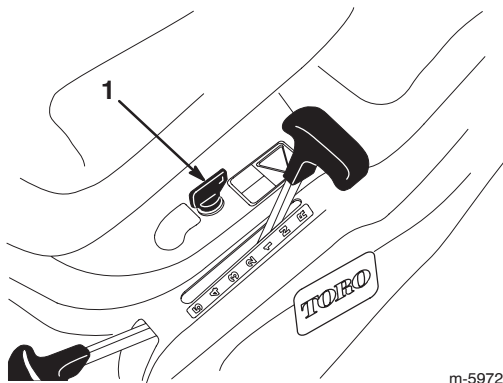
If you need to use the blade control (PTO) while backing up, turn off the interlock feature using the KeyChoice switch located near the seat bracket (Fig. 10).

! **Danger** !

**You could back over a child or bystander while the mower blade or other attachment is engaged and cause serious injury or death.**

- **Do not mow in reverse unless absolutely necessary.**
- **Do not insert the KeyChoice key unless it is absolutely necessary.**
- **Always look backward and down before backing up.**
- **Use the KeyChoice switch only if you are certain no children or other bystanders will enter the mowing area.**
- **Be very observant after deactivating the interlock because the sound of the engine may prevent you from noticing that a child or bystander has entered the work area.**
- **Always remove both the ignition and KeyChoice keys and put them in a safe place out of the reach of children or unauthorized users when leaving the unit unattended.**

1. Engage the blade (PTO).
2. Insert the KeyChoice key into the switch (Fig. 10).

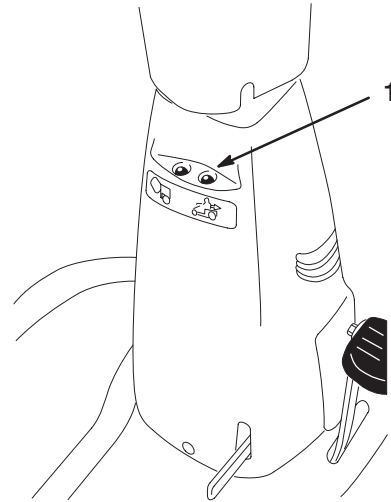


**Figure 10**

1. KeyChoice switch

3. Turn the KeyChoice key.

A red light on the front console (Fig. 11) turns on, indicating that the interlock is disabled.



**Figure 11**

1. Operating-in-reverse light
4. Shift the ground speed lever into Reverse and complete your task.
5. Disengage the blade (PTO) to activate the interlock.
6. Remove the KeyChoice key and put it in a safe place out of the reach of children.

## Testing the Safety Interlock System

! **Caution** !

**If safety interlock switches are disconnected or damaged, the machine could operate unexpectedly, causing personal injury.**

- **Do not tamper with the interlock switches.**
- **Check the operation of the interlock switches daily and replace any damaged switches before operating the machine.**

Test the safety interlock system before you use the machine each time. If the safety interlock system does not operate as described below, have an Authorized Service Dealer repair it immediately.

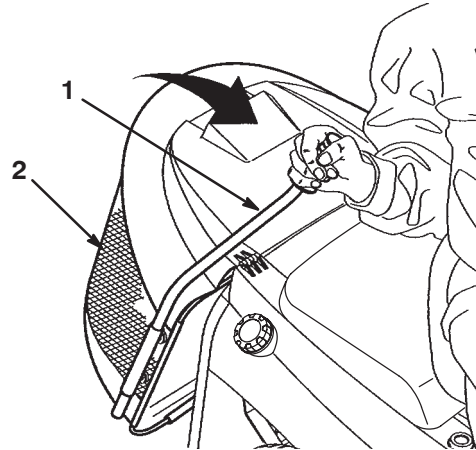
1. Shift the ground speed lever into Neutral.
2. Shift the blade control (PTO) lever to Engage, sit on the seat, and rotate the ignition key to Start: The engine should not crank. If it does crank, the safety interlock system is malfunctioning and must be repaired by an Authorized Service Dealer. If the engine does not crank, go to step 3.

3. Shift the blade control (PTO) lever to Disengage, sit on the seat, depress the brake and clutch pedals, engage the parking brake, shift the ground speed lever into gear, and rotate the ignition key to Start: The engine should not crank. If it does crank, the safety interlock system is malfunctioning and must be repaired by an Authorized Service Dealer. If the engine does not crank, go to step 4.
4. Sit on the seat, shift the ground speed lever into Neutral, and shift the blade control (PTO) lever to Disengage. Ensure that the parking brake is engaged and rotate the ignition key to Start: The engine should start and continue to run. Then engage the blade control (PTO) lever and carefully rise from the seat: The engine should stop. If the engine does not stop running, stop the engine, wait for all moving parts to stop, and have the safety interlock system repaired by an Authorized Service Dealer. If the engine stops when you rise from the seat, the safety interlock system is functioning properly.
5. Shift the blade control (PTO) lever to Disengage, shift the ground speed lever into Neutral, and start the engine. While the engine is running, shift the blade control (PTO) lever to Engage, push in the clutch, and shift the ground speed lever to Reverse: The engine should stop.
6. Shift the blade control (PTO) lever to Disengage, shift the ground speed lever to Neutral, and start the engine. Then shift the blade control (PTO) lever to Engage and turn the KeyChoice key and release it: The KeyChoice warning light should illuminate. Shift the blade control (PTO) lever to Disengage: The KeyChoice warning light should turn off.

## Emptying the Grass Collector

When the collector warning light on the front console comes on, the grass collector is full and must be emptied.

1. Disengage the blade control (PTO).
2. Pull the collector rod forward to tilt the collection bin (Fig. 12).



**Figure 12**

1. Collector rod

2. Collection bin

3. Shake the collection bin until it is completely empty.
4. Slowly return the collection rod to the operating position.

# Installing the Recycler<sup>®</sup> Cover

A Recycler cover is included with the machine. You can use it when you do not want to bag the grass clippings.



## Danger



Without the grass deflector, discharge cover, or complete grass catcher assembly mounted in place, you and others are exposed to blade contact and thrown debris. Contact with the rotating mower blade and thrown debris will cause injury or death.

- Never remove the grass deflector from the mower because the grass deflector routes material down toward the turf. If the grass deflector is ever damaged, replace it immediately.
- Never put your hands or feet under the mower.
- Never try to clear the discharge area or mower blades unless you disengage the power take-off (PTO) and turn the ignition key to Off. Also remove the key and disconnect the wire from the spark plug.

1. Park the machine on a level surface.
2. Disengage the blade (PTO).
3. Shift the ground speed lever into Neutral.
4. Set the parking brake.
5. Stop the engine and wait for all moving parts to stop.
6. Remove the ignition key.

7. Raise the grass collector and remove the hairpin, 2 washers, and clevis pin that secure the discharge tube to the rear plate (Fig 13).

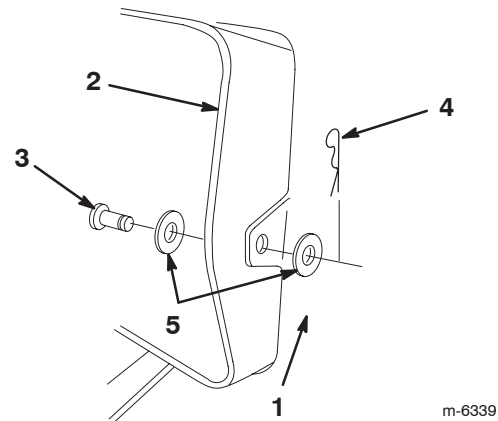


Figure 13

- |                   |             |
|-------------------|-------------|
| 1. Rear plate     | 4. Hair pin |
| 2. Discharge tube | 5. Washers  |
| 3. Clevis pin     |             |

8. Remove the nut and outer washer that secure the discharge chute to the discharge tube (Fig. 14).

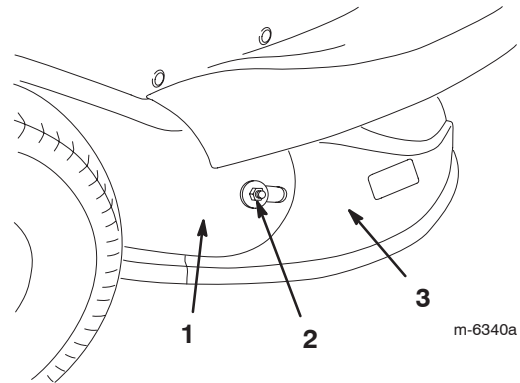
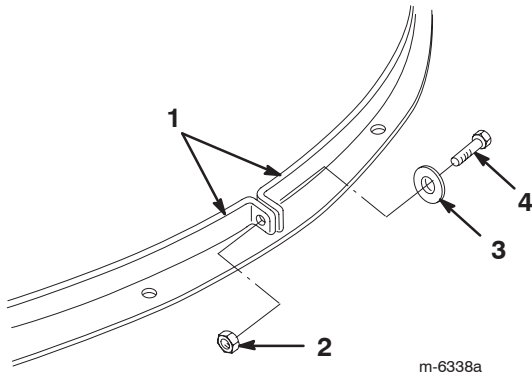


Figure 14

- |                         |                    |
|-------------------------|--------------------|
| 1. Discharge tube       | 3. Discharge chute |
| 2. Nut and outer washer |                    |

9. Move the height-of-cut lever to the lowest position.

- Remove the bolt, washer, and nut that secure the 2 strap ends together (Fig. 15).

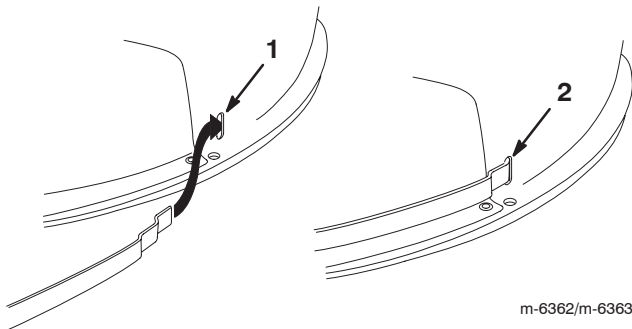


**Figure 15**

- |           |           |
|-----------|-----------|
| 1. Straps | 3. Washer |
| 2. Nut    | 4. Bolt   |

- Move the straps away from the the discharge chute.

**Note:** Do not remove the straps from the mower housing. If a strap comes off the housing, insert it as shown in Figure 16.



**Figure 16**

- |                                      |  |
|--------------------------------------|--|
| 1. Inserting the strap into the slot | 2. The strap is inserted into the slot |
|--------------------------------------|--|

- Remove the discharge chute from the mower housing.

**Note:** Attach the nut and outer washer that you removed to the discharge chute to prevent losing them.

- Install the Recycler cover onto the mower.

- Join the 2 strap ends around the Recycler cover as shown (Fig. 15).

- Align the holes in the strap ends and fasten them together snugly with the bolt, washer, and nut you previously removed.

- Raise the grass collector and install the clevis pin, 2 washers, and hairpin to secure the discharge tube to the rear plate (Fig 13).

## Installing the Discharge Chute



**Danger**



Without the grass deflector, discharge cover, or complete grass catcher assembly mounted in place, you and others are exposed to blade contact and thrown debris. Contact with the rotating mower blade and thrown debris will cause injury or death.

- Never remove the grass deflector from the mower because the grass deflector routes material down toward the turf. If the grass deflector is ever damaged, replace it immediately.
- Never put your hands or feet under the mower.
- Never try to clear the discharge area or mower blades unless you disengage the power take-off (PTO) and turn the ignition key to Off. Also remove the key and disconnect the wire from the spark plug.

- Park the machine on a level surface.
- Disengage the blade (PTO).
- Shift the ground speed lever into Neutral.
- Set the parking brake.
- Stop the engine and wait for all moving parts to stop.
- Remove the ignition key.
- Raise the grass collector and remove the hairpin and clevis pin that secure the discharge tube to the rear plate (Fig 13).
- Move the height of cut lever to the lowest position.
- Remove the bolt, washer, and nut that secure the 2 strap ends together (Fig. 15).
- Move the straps away from the the discharge chute.
 

**Note:** Do not remove the straps from the mower housing.
- Remove the Recycler cover from the mower housing.
- Install the discharge chute onto the mower.
- Raise the grass collector and install the clevis pin and hairpin to secure the discharge tube to the rear plate (Fig 13).
- Install the nut and outer washer that secure the discharge chute to the discharge tube (Fig. 14).
- Join the 2 strap ends around the discharge chute as shown (Fig. 15).

16. Align the holes in the strap ends and fasten them together snugly with the bolt, washer, and nut you previously removed (Fig. 15).

## Operating Tips

- For the best performance, operate the engine at the maximum speed. The mower requires air to thoroughly cut grass clippings, so do not set the height-of-cut too low or completely surround the mower in uncut grass. Always leave one side of the mower free from uncut grass to allow the air to be drawn into the mower.
- Cut the grass slightly longer than normal to ensure that the cutting height of the mower does not scalp any uneven ground. When cutting grass longer than 15 cm tall, cut the lawn twice to ensure an acceptable appearance.
- It is best to cut only about 1/3 of the grass blade. Do not cut more than that unless the grass is sparse or it is late fall when grass grows more slowly.
- Alternate the mowing direction to keep the grass standing straight. This also helps disperse clippings and enhances decomposition and fertilization.
- Grass grows at different rates at different times of the season. To maintain the same cutting height, which is a good practice, mow more often in early spring. As the grass growth rate slows in mid summer, mow less frequently.
- If the grass is longer than normal, or if it contains a high degree of moisture, raise the cutting height higher than usual, cut the grass at that setting, and then cut the grass again at the lower, normal setting.
- If you must stop the machine while mowing, you may leave a clump of grass clippings on your lawn. To avoid this, do the following:
  - Engage the blade and move to a previously cut area.
  - Disperse the clippings evenly by raising the mower 1 or 2 height-of-cut settings while driving forward with the blade engaged.
- Use the washout port to clean clippings and dirt from the underside of the mower after each use. If grass and dirt build up inside the mower, the cutting quality will eventually become unsatisfactory.
- Maintain a sharp blade throughout the season. A sharp blade cuts grass cleanly without tearing or shredding the grass blades. Tearing and shredding the grass turns it brown at the edges, which slows its growth and increases the chance of disease. Every 30 days, check the blade for sharpness and file down any nicks.

# Maintenance

**Note:** Determine the left and right sides of the machine from the normal operating position.



## Recommended Maintenance Schedule

Maintenance Service Interval	Maintenance Procedure
Each use	<ul style="list-style-type: none"> <li>• Check the tire pressure.</li> <li>• Check the engine oil level.</li> <li>• Check the safety system.</li> <li>• Clean the mower housing.</li> <li>• Check the parking brake.</li> <li>• Check for loose parts.</li> </ul>
Every 5 hours	<ul style="list-style-type: none"> <li>• Check the blade.</li> </ul>
Every 25 hours	<ul style="list-style-type: none"> <li>• Grease the front wheels.<sup>1</sup></li> <li>• Service the air cleaner paper element.<sup>1</sup></li> <li>• Check the spark plug.</li> </ul>
Every 50 hours	<ul style="list-style-type: none"> <li>• Change the engine oil.<sup>2</sup></li> <li>• Check the battery electrolyte.</li> </ul>
Every 100 hours	<ul style="list-style-type: none"> <li>• Replace the spark plug.</li> <li>• Replace the fuel filter.</li> <li>• Clean the cooling system.<sup>1</sup></li> </ul>
Before storage	<ul style="list-style-type: none"> <li>• Perform all of the maintenance procedures listed above.</li> <li>• Drain the fuel tank.</li> <li>• Paint chipped surfaces.</li> <li>• Charge the battery and disconnect the cables.</li> </ul>
After storage	<ul style="list-style-type: none"> <li>• Check the safety system.</li> <li>• Check the spark plug.</li> <li>• Check the battery electrolyte.</li> <li>• Check the tire pressure.</li> </ul>

<sup>1</sup>Perform this procedure more often in dusty, dirty conditions.

<sup>2</sup>Change the engine oil after the first 5 operating hours; change it more often than recommended when operating the engine under a heavy load or in high temperatures.

**Important** Refer to your engine operator's manual for additional maintenance procedures.

 <span style="font-size: 1.2em; font-weight: bold; margin: 0 20px;">Caution</span> 
<p><b>If you leave the key in the ignition switch, someone could accidentally start the engine and seriously injure you or other bystanders.</b></p> <p><b>Remove the key from the ignition and disconnect the wire from the spark plug before you do any maintenance. Set the wire aside so that it does not accidentally contact the spark plug.</b></p>

# Servicing the Engine Oil

Check the oil level daily or after every 8 hours.

Change the oil after the first 5 operating hours and every 50 operating hours thereafter.

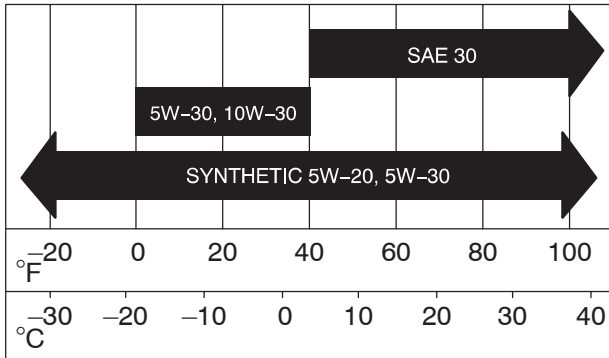
**Note:** Change the oil more frequently when operating conditions are extremely dusty or sandy.

Oil Type: Detergent oil (API service SF, SG, SH, SJ, or higher)

Crankcase Capacity: 1400 cc/1.4 l

Viscosity: See the table below.

## USE THESE SAE VISCOSITY OILS



## Checking the Oil Level

1. Park the machine on a level surface.
2. Disengage the blade (PTO).
3. Shift the ground speed lever to Neutral.
4. Set the parking brake.
5. Stop the engine and wait for all moving parts to stop.
6. Remove the ignition key.
7. Raise the seat.

8. Clean around the oil dipstick (Fig. 17) so that dirt cannot fall into the fill tube and damage the engine.

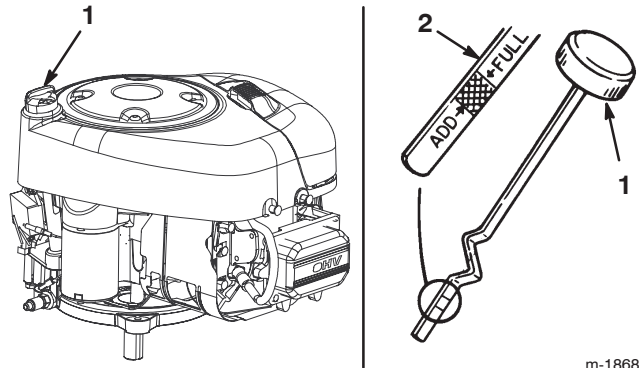


Figure 17

1. Oil dipstick/ fill tube
2. Metal end

9. Unscrew the oil dipstick and wipe the metal end clean (Fig. 17).
10. Screw the oil dipstick fully onto the fill tube (Fig. 17). Unscrew the dipstick again and look at the metal end. If the oil level is low, slowly pour only enough oil into the fill tube to raise the level to the Full mark on the dipstick.

**Important** Do not overfill the crankcase with oil and run the engine; engine damage may result.

## Changing the Oil

1. Start the engine and let it run for 5 minutes.
 

**Note:** This warms the oil so that it drains better.
2. Park the machine so that the right front side is slightly lower than the left side to ensure that the oil drains completely.
3. Disengage the blade (PTO).
4. Shift the ground speed lever into Neutral.
5. Set the parking brake.
6. Stop the engine and wait for all moving parts to stop.
7. Remove the ignition key.
8. Raise the seat.

9. Insert the draining tube onto the oil drain valve (Fig. 18).

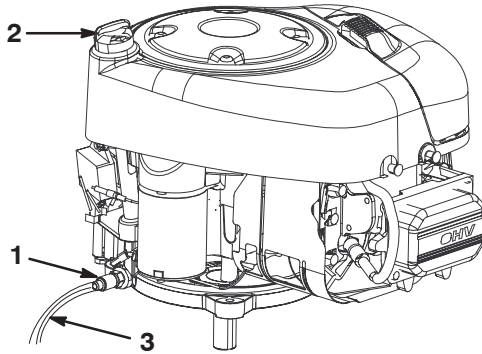


Figure 18

1. Oil drain valve
2. Oil dipstick/fill tube
3. Draining tube

10. Place a pan below the draining tube.
  11. Open the oil drain valve (Fig. 18).
  12. When the oil has drained completely, remove the draining tube and close the oil drain valve.
- Note:** Dispose of the used oil at a certified recycling center.
13. Slowly pour approximately 80% of the specified amount of oil into the filler tube (Fig. 17). Check the oil level; refer to steps 4 and 5 of Checking the Oil Level on page 22.

## Servicing the Battery

Always keep the battery clean and fully charged. Use a paper towel to clean the battery and battery box. If the battery terminals are corroded, clean them with a solution of 4 parts water and 1 part baking soda. Apply a light coating of grease to the battery terminals to prevent corrosion.

Battery voltage and amperage: 12 volts, 155 cold-cranking amps

## Removing the Battery



### Warning



Battery terminals or metal tools could short against metal machine components, causing sparks. Sparks can cause the battery gasses to explode, resulting in personal injury.

- When removing or installing the battery, do not allow the battery terminals to touch any metal parts of the machine.
- Do not allow metal tools to short between the battery terminals and metal parts of the machine.

1. Disengage the blade (PTO).
2. Shift the ground speed lever into Neutral.
3. Set the parking brake.
4. Stop the engine and wait for all moving parts to stop.
5. Remove the ignition key.
6. Remove the engine cover.
7. Disconnect the negative (black) ground cable from the battery post.



### Warning



Incorrect battery cable routing could damage the machine and cables, causing sparks. Sparks can cause the battery gasses to explode, resulting in personal injury.

- Always *disconnect* the negative (black) battery cable before disconnecting the positive (red) cable.
- Always *connect* the positive (red) battery cable before connecting the negative (black) cable.

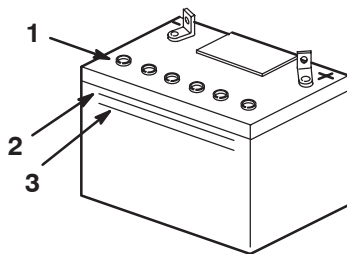
8. Slide the rubber cover up the positive (red) cable.
9. Disconnect the positive (red) cable from the battery post.
10. Remove the battery from the battery box.

## Installing the Battery

1. Put the battery into the battery box in the chassis.
2. Using the bolt, washers, and nut, connect the positive (red) cable to the positive (+) battery post.
3. Slide the rubber cover over the battery post.
4. Using the bolt, washers, and nut, connect the negative (black) cable to the negative (-) battery post.
5. Install the engine cover.

## Checking the Electrolyte Level

1. Remove the engine cover.
2. Look at the side of the battery. The electrolyte must be up to the Upper line (Fig. 19).



m-5004

Figure 19

1. Vent caps
2. Upper line
3. Lower line

**Note:** Do not allow the electrolyte to fall below the Lower line (Fig. 19).

3. If the electrolyte is low, add the required amount of distilled water; refer to Adding Water to the Battery on page 24.



## Danger



**Battery electrolyte contains sulfuric acid, a deadly poison that can severely burn you and others.**

- **Do not drink electrolyte and avoid contact with skin, eyes or clothing. Wear safety glasses to shield your eyes and rubber gloves to protect your hands.**
- **Fill the battery where clean water is always available for flushing the skin.**

## Adding Water to the Battery

The best time to add distilled water to the battery is just before you operate the machine. This lets the water mix thoroughly with the electrolyte solution.

1. Remove the battery from the machine; refer to Removing the Battery on page 23.
2. Clean the top of the battery with a paper towel.

**Important** Never fill the battery with distilled water while the battery is installed in the machine. Electrolyte could be spilled on other parts and cause corrosion.

3. Remove the vent caps from the battery (Fig. 19).
4. Slowly pour distilled water into each battery cell until the electrolyte level is up to the Upper line (Fig. 19) on the battery case.

**Important** Do not overfill the battery because electrolyte (sulfuric acid) can cause severe corrosion and damage to the chassis.

5. Wait 5 to 10 minutes after filling the battery cells. Add distilled water, if necessary, until the electrolyte level is up to the Upper line (Fig. 19) on the battery case.
6. Install the battery vent caps.

## Charging the Battery



## Warning



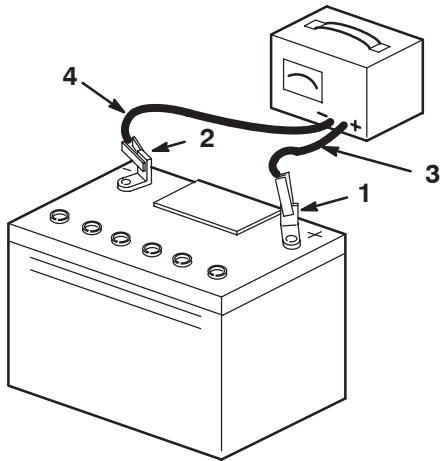
**Charging the battery produces gasses that can explode.**

**Never smoke near the battery and keep sparks and flames away from battery.**

**Important** Always keep the battery fully charged (1.260 specific gravity). This is especially important to prevent battery damage when the temperature is below 32°F (0°C).

1. Remove the battery from the chassis; refer to Removing the Battery on page 23.
2. Check the electrolyte level; refer to Checking the Electrolyte Level on page 24.
3. Ensure that the vent caps are installed in the battery. Charge the battery for 1 hour at 25 to 30 amps or 6 hours at 4 to 6 amps. Do not overcharge the battery.

- When the battery is fully charged, unplug the charger from the electrical outlet.
- Disconnect the charger leads from the battery posts (Fig. 20).



**Figure 20**

- |                          |                           |
|--------------------------|---------------------------|
| 1. Positive battery post | 3. Red (+) charger lead   |
| 2. Negative battery post | 4. Black (-) charger lead |

- Install the battery in the machine and connect the battery cables; refer to Installing the Battery on page 24.

**Note:** Do not run the machine with the battery disconnected; electrical damage may occur.

## Servicing the Air Cleaner

**Foam Element:** Clean after every 25 operating hours, or yearly, whichever occurs first.

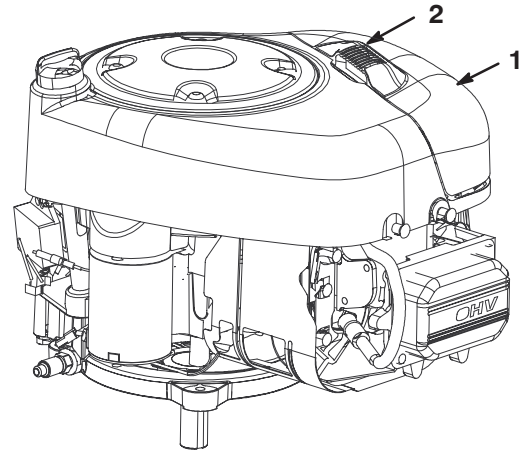
**Paper Element:** Replace after every 100 operating hours or yearly, whichever occurs first.

**Note:** Service the air cleaner more frequently (every few hours) if operating conditions are extremely dusty or sandy.

### Removing the Foam and Paper Elements

- Set the parking brake, stop the engine, and remove the ignition key.

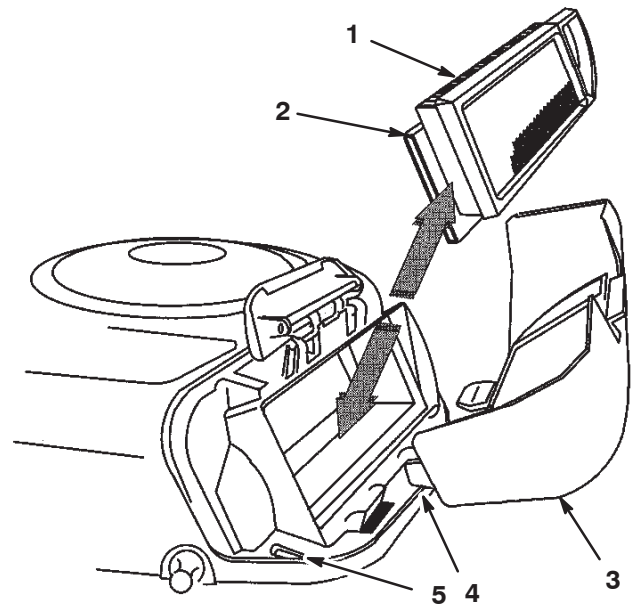
- Clean around the air cleaner to prevent dirt from getting into the engine and causing damage. Pull up on the air cleaner cover handle and rotate it toward the engine (Fig. 21). Remove the air cleaner cover.



**Figure 21**

- |                      |                             |
|----------------------|-----------------------------|
| 1. Air cleaner cover | 2. Air cleaner cover handle |
|----------------------|-----------------------------|

- Carefully slide the paper element and foam element from the blower housing (Fig. 22).



**Figure 22**

- |                      |         |
|----------------------|---------|
| 1. Paper element     | 4. Tab  |
| 2. Foam element      | 5. Slot |
| 3. Air cleaner cover |         |

## Cleaning the Foam and Paper Elements

Foam Element:

1. Wash the foam element in liquid soap and warm water. When the element is clean, rinse it thoroughly.
2. Dry the element by squeezing it in a clean cloth. Do **not** oil the element.

**Important** Replace the foam element if it is torn or worn.

Paper Element:

1. Lightly tap the element on a flat surface to remove dust and dirt.
2. Carefully clean the rubber seal on the paper element to prevent debris from entering the engine.
3. Inspect the element for tears, an oily film, and damage to the rubber seal.

**Important** Never clean the paper element with pressurized air or liquids, such as solvent, gas, or kerosene. Replace the paper element if it is damaged or cannot be cleaned thoroughly.

## Installing the Foam and Paper Elements

**Important** To prevent engine damage, always operate the engine with the complete foam and paper air cleaner assembly installed.

1. Place the foam element and paper element into the blower housing.

**Note:** Make sure that the rubber seal is flat against the air cleaner base.

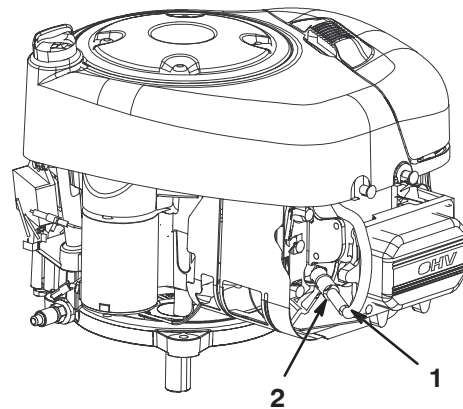
2. Align the tabs on the air cleaner cover with the slots of the blower housing (Fig. 22).
3. Hook the handle onto the cover and press down on the handle to lock the cover in place.

## Servicing the Spark Plug

Check the spark plug after every 25 operating hours. Install a new **Champion RJ-19LM or equivalent** spark plug after every 100 operating hours. Ensure that the air gap between the center and side electrodes is 0.76 mm before installing the spark plug. Use a spark plug wrench for removing and installing the spark plug and a gapping tool or feeler gauge to check and adjust the air gap.

### Removing the Spark Plug

1. Disengage the blade (PTO).
2. Shift the ground speed into Neutral.
3. Set the parking brake.
4. Stop the engine and wait for all moving parts to stop.
5. Remove the ignition key.
6. Reach under the body of the machine above the left rear wheel and disconnect the wire from the spark plug (Fig. 23).



**Figure 23**

1. Spark plug wire
2. Spark plug

7. Clean around the spark plug to prevent dirt from falling into the engine and potentially causing damage.
8. Remove the spark plug and metal washer.

## Checking the Spark Plug

1. Look at the center of the spark plug (Fig. 24). If you see light brown or gray on the insulator, the engine is operating properly. A black coating on the insulator usually means that the air cleaner is dirty.

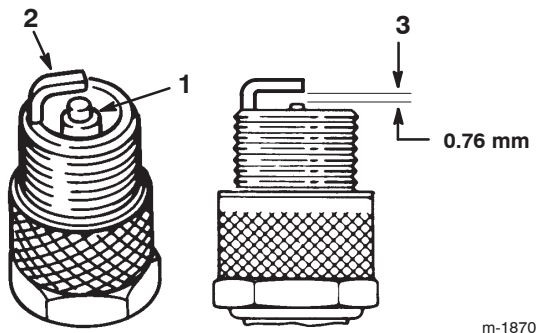


Figure 24

1. Center electrode insulator
2. Side electrode
3. Air gap (not to scale)

**Important** Do not clean the spark plug. Always replace the spark plug when it has a black coating, worn electrodes, an oily film, or cracks.

2. Check the gap between the center and side electrodes (Fig. 24) and bend the side electrode if the gap is not correct.

## Installing the Spark Plug

1. Install the spark plug and metal washer.  
**Note:** Ensure that the air gap is set correctly.
2. Tighten the spark plug to 20 N·m.
3. Connect the wire to the spark plug (Fig. 23).

## Checking the Tire Pressure

Maintain the air pressure in the tires at 80 kPa. Check the tire pressure after each use. Check the tires when they are cold to get the most accurate pressure reading.

## Greasing and Lubricating the Machine

Grease the machine with a general-purpose grease after every 25 operating hours or once a year, whichever occurs first. Grease it more frequently when operating conditions are extremely dusty or sandy.

1. Disengage the blade (PTO).
2. Shift the ground speed lever into Neutral.
3. Set the parking brake.
4. Stop the engine and wait for all moving parts to stop.
5. Remove the ignition key.
6. Lubricate the front wheels.
7. Wipe up any excess grease.

## Checking the Parking Brake

Always set the parking brake when you stop the machine or leave it unattended. Check the parking brake daily to ensure that it holds securely.

1. Park the machine on a level surface.
2. Disengage the blade (PTO).
3. Set the parking brake.
4. Stop the engine and wait for all moving parts to stop.
5. Remove the ignition key.
6. If the rear wheels lock and skid when you try to push the machine forward, you do not need to adjust the parking brake. But if the rear wheels turn and do not lock, you need to have an Authorized Service Dealer adjust the parking brake.

## Draining the Fuel Tank



### Danger



In certain conditions, gasoline is extremely flammable and highly explosive. A fire or explosion from gasoline can burn you and others and can damage property.

- Drain gasoline from the fuel tank when the engine is cold. Do this outdoors in an open area. Wipe up any gasoline that spills.
- Never smoke when draining gasoline, and stay away from an open flame or where a spark may ignite the gasoline fumes.

1. Park the machine so that the left front side is slightly lower than the right side to ensure that the fuel tank drains completely.
2. Disengage the blade (PTO).
3. Shift the ground speed lever into Neutral.
4. Set the parking brake.
5. Stop the engine.
6. Remove the ignition key.
7. Remove the engine cover.
8. Squeeze the ends of the hose clamp together and slide it up the fuel line toward the fuel tank (Fig. 25).

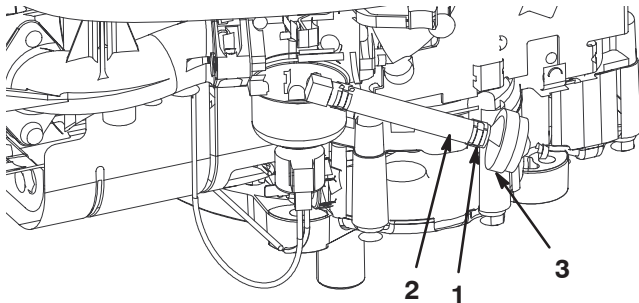


Figure 25

1. Hose clamp
2. Fuel line
3. Filter

9. Pull the fuel line off of the filter (Fig. 25) and allow the gasoline to drain into a gas can or drain pan.

**Note:** Now is the best time to install a new fuel filter because the fuel tank is empty.

10. Install the fuel line onto the filter.
11. Slide the hose clamp close to the filter to secure the fuel line and filter.
12. Install the engine cover.

## Replacing the Fuel Filter

Replace the fuel filter after every 100 operating hours or yearly, whichever occurs first. The best time to replace the fuel filter (Fig. 25) is when the fuel tank is empty. Never install a dirty filter if it is removed from the fuel line.

1. Disengage the blade (PTO).
2. Shift the ground speed lever into Neutral.
3. Set the parking brake.
4. Stop the engine.
5. Remove the ignition key.
6. Remove the engine cover.
7. Squeeze the ends of the hose clamps together and slide them away from the filter (Fig. 25).
8. Remove the filter from the fuel lines.
9. Install a new filter and move the hose clamps close to the filter.
10. Install the engine cover.

## Servicing the Fuses

The electrical system is protected by 7.5 amp, blade-type fuses. No maintenance is required, however, if a fuse blows, check the circuit wiring for a short.

1. Pull out the fuse (Fig. 26) to remove it from the socket.

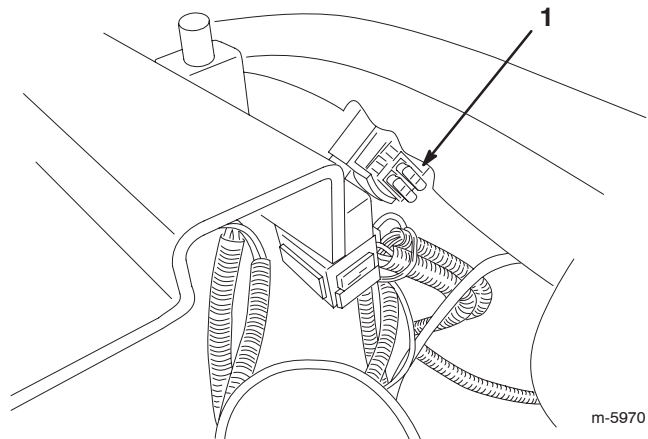


Figure 26

1. Fuses (under the seat)
2. Push down on the fuse to insert it.

## Servicing the Blade

To ensure a superior quality of cut, keep the blade sharp. For convenient sharpening and replacement, you may want to have an extra blade.

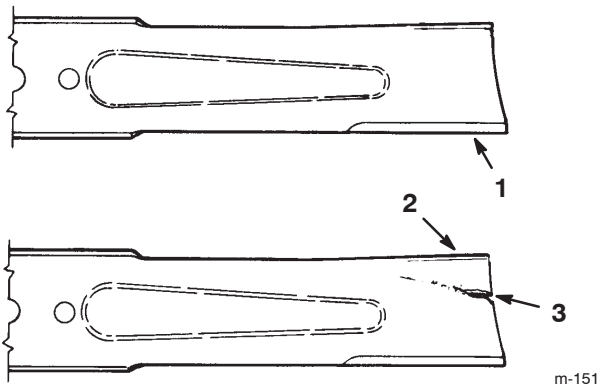
! **Danger** !

**A worn or damaged blade can break, and a piece of the blade could be thrown into the operator's or bystander's area, resulting in serious personal injury or death.**

- **Inspect the blade periodically for wear or damage.**
- **Replace a worn or damaged blade.**

### Inspecting the Blade

1. Inspect the cutting edges (Fig. 27). If the edges are not sharp or have nicks, remove the blade and sharpen them; refer to Sharpening the Blade on page 29.



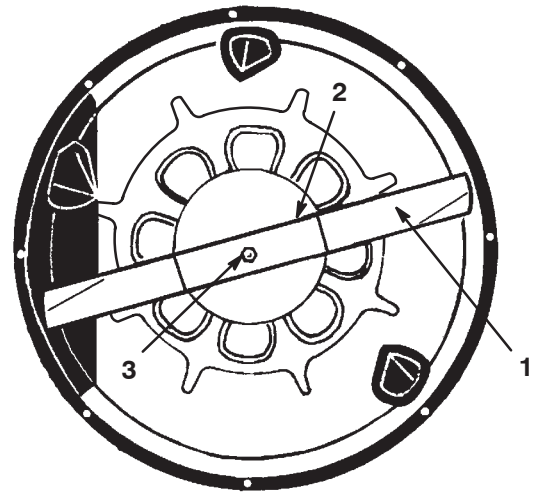
**Figure 27**

1. Cutting edge
2. Curved area
3. Wear/slot forming

2. Inspect the blade, especially the curved area (Fig. 27). If you notice any damage, wear, or a slot forming in this area (Fig. 27), immediately install a new blade.

### Removing the Blade

1. Stop the engine and wait for all moving parts to stop.
2. Remove the ignition key.
3. Disconnect the wire from the spark plug.
4. Shift the transaxle into first gear.
5. Set the parking brake.
6. Grasp the end of the blade using a rag or thickly padded glove. Then remove the blade bolt, curved washer, blade stiffener, and blade (Fig. 28). A block of wood may be wedged between the blade and the mower to lock the blade when you are removing the bolt.



**Figure 28**

1. Blade
2. Blade stiffener
3. Blade bolt and curved washer

### Sharpening the Blade

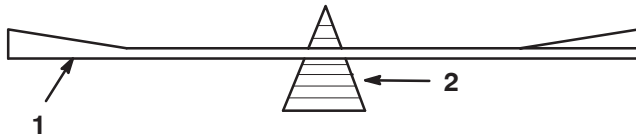
1. Use a file to sharpen the cutting edge at both ends of the blade (Fig. 29). Maintain the original angle. The blade retains its balance if the same amount of material is removed from both cutting edges.



**Figure 29**

1. Sharpen at original angle

2. Check the balance of the blade by putting it on a blade balancer (Fig. 30). If the blade stays in a horizontal position, the blade is balanced and can be used. If the blade is not balanced, file some metal off of the back side of the blade. Repeat this step until the blade is balanced.



**Figure 30**

1. Blade
2. Balancer

## Installing the Blade

1. Install the blade, blade stiffener, curved washer, and blade bolt (Fig. 28).

**Important** The curved part of the blade must be pointing toward the inside of the mower to ensure proper cutting.

2. Tighten the blade bolt to 61 to 82 N·m.

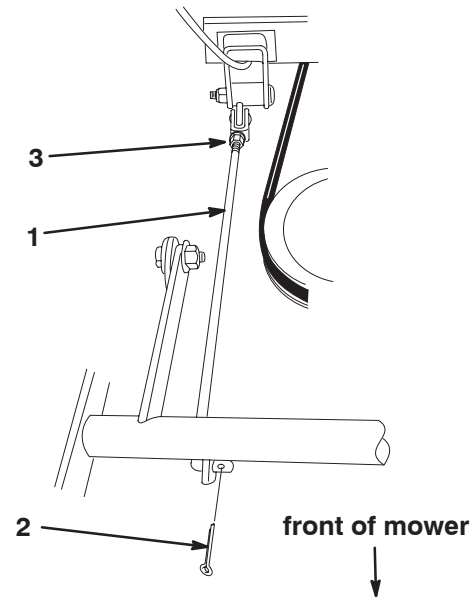
**Important** Ensure that the cutting edge of the blade is away from the mower housing.

## Leveling the Mower

If the mower cuts unevenly and the cutting blade is not bent, you must level the mower.

1. Move the machine to a level surface.
2. Set the parking brake.
3. Stop the engine and wait for all moving parts to stop.
4. Remove the ignition key.
5. Disconnect the wire from the spark plug.
6. Set the air pressure in the tires to the recommended level; refer to Checking the Tire Pressure on page 27.

7. Remove the cotter pin at the front of the adjusting rod (Fig. 31).



**Figure 31**

m-5976

1. Adjusting rod
2. Cotter pin
3. Nut

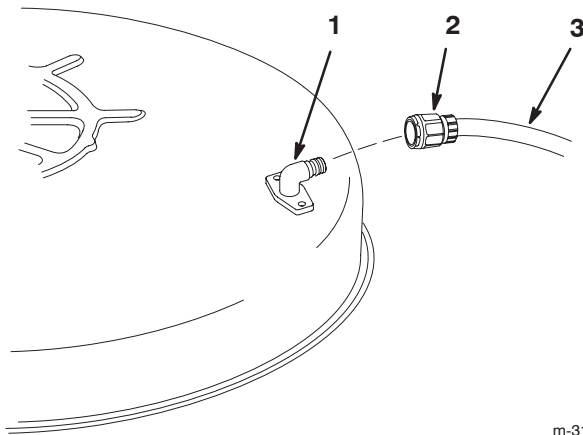
8. Loosen the nut at the rear of the adjusting rod (Fig. 31).
9. Turn the adjusting rod to the desired level.
10. Tighten the nut.
11. Install the cotter pin.

## Washing under the Mower

After each use, wash under the mower to prevent grass buildup for improved mulch action and clipping dispersal.

1. Park the machine on a hard level surface.
2. Disengage the blade (PTO).
3. Stop the engine and wait for all moving parts to stop.
4. Remove the ignition key.

- Attach the hose coupling to the end of the mower washout fitting and turn the water on high (Fig. 32).



m-3118

**Figure 32**

- Washout port
- Coupling
- Hose

**Note:** Spread petroleum jelly on the washout fitting o-ring to make the coupling slide on easier and to protect the o-ring.

- Set the mower to the second height-of-cut (B) level.
- Sit on the seat and start the engine.
- Engage the blade (PTO) and let the mower run for 1 to 3 minutes.
- Disengage the blade (PTO).
- Stop the engine and wait for all moving parts to stop.
- Remove the ignition key.
- Turn off the water off and remove the coupling from the washout fitting.

**Note:** If the mower is not clean after one washing, soak it and let it stand for 30 minutes. Then repeat the process.

- Run the mower again for 1 to 3 minutes to remove the excess water.

⚠
Warning
⚠

A broken or missing washout fitting could expose you and others to thrown objects or blade contact. Contact with the blade or thrown debris contact may cause injury or death.

- Replace broken or missing washout fitting immediately, before using mower again.
- Plug any holes in mower with bolts and locknuts.
- Never put your hands or feet under the mower or through openings in the mower.

## Washing the Machine

- Stop the engine and wait for all moving parts to stop.
- Remove the ignition key.
- Wait 10 to 15 minutes for the engine to cool down.
- Wash the machine with mild detergent and water.

**Important** Do not use a pressure washer to wash the machine. Pressure washing may damage the electrical system or wash away necessary grease at friction points. Avoid excessive use of water, especially near the control panel, lights, engine, and battery.

- Start the engine to dry it off.

## Cleaning and Storage

- Disengage the blade (PTO).
- Set the parking brake.
- Stop the engine and wait for all moving parts to stop.
- Remove the ignition key.
- Remove grass clippings, dirt, and grime from the external parts of the entire machine, especially the engine. Clean the dirt and chaff from the outside of the engine cylinder head fins and blower housing.

**Important** You can wash the machine with mild detergent and water. Do not use a pressure washer to wash the machine. Pressure washing may damage the electrical system or wash away necessary grease at friction points. Avoid excessive use of water, especially near the control panel, lights, engine, and battery.

- Check the parking brake; refer to Checking the Parking Brake on page 27.
- Service the air cleaner; refer to Servicing the Air Cleaner on page 25.

8. Change the engine oil; refer to Servicing the Engine Oil on page 22.
9. Check the tire pressure; refer to Checking the Tire Pressure on page 27.
10. When storing the machine for over 30 days, prepare it as follows:

- A. Add a petroleum based stabilizer/conditioner to the fuel in the tank according to the instructions from the stabilizer manufacturer. **Do not use an alcohol based stabilizer (ethanol or methanol).**

**Note:** A fuel stabilizer/conditioner is most effective when mixed with fresh gasoline and used at all times.

- B. Run the engine for 5 minutes to distribute conditioned fuel through the fuel system.
- C. Stop the engine, allow it to cool, and drain the fuel tank; refer to Draining the Fuel Tank on page 28.
- D. Start the engine and run it until it stops.
- E. Choke or prime the engine.
- F. Start and run the engine until it will not start again.
- G. Recycle the old fuel according to local codes.

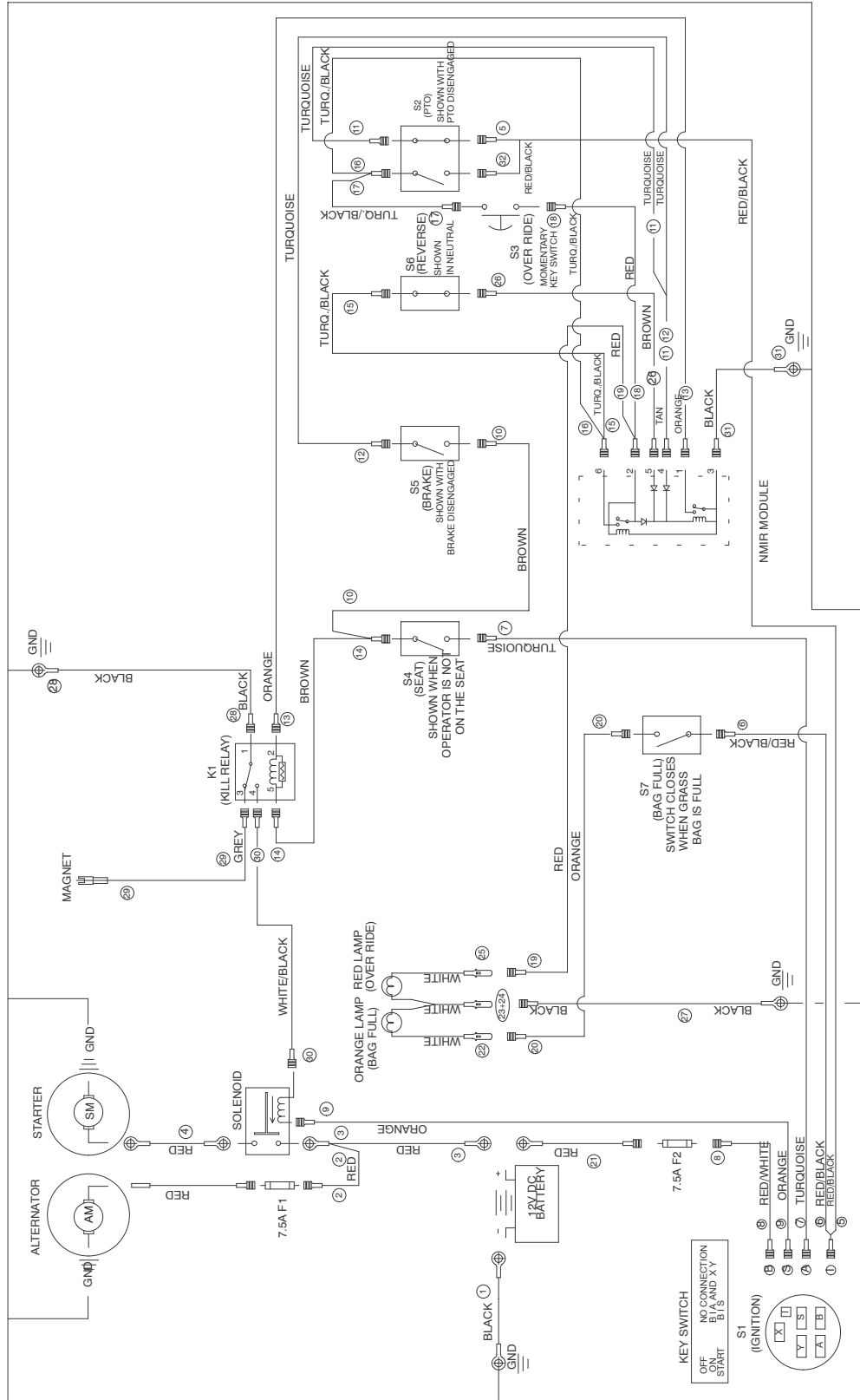
**Important** Do not store stabilizer/conditioned gasoline over 90 days.

11. Remove and inspect the spark plug; refer to Servicing the Spark Plug on page 26. With the spark plug removed from the engine, pour 2 tablespoons of engine oil into the spark plug hole. Use the electric starter to crank the engine and distribute the oil inside the cylinder. Install the spark plug, but do not connect the wire to the spark plug.
12. Disconnect the negative battery cable. Clean the battery and battery terminals. Check the electrolyte level and charge it fully; refer to Servicing the Battery on page 23. Leave the negative battery cable disconnected from the battery during storage.

**Important** The battery must be fully charged to prevent it from freezing and being damaged at temperatures below 32°F (0°C). You can store a fully charged battery during the winter without recharging.

13. Check and tighten all bolts, nuts, and screws. Repair or replace any part that is worn or damaged.
14. Paint all scratched or bare metal surfaces. Paint is available from an Authorized Service Dealer.
15. Store the machine in a clean, dry garage or storage area. Remove the ignition and KeyChoice keys from the mower and keep them in a memorable place. Cover the machine to protect it and keep it clean.

# Wiring Diagram



# Troubleshooting

Problem	Possible Causes	Corrective Action
The starter does not crank.	<ol style="list-style-type: none"> <li>1. The blade control (PTO) is engaged.</li> <li>2. The parking brake is not on.</li> <li>3. The battery is dead.</li> <li>4. The electrical connections are corroded or loose.</li> <li>5. A fuse is blown.</li> <li>6. A relay or switch is damaged.</li> </ol>	<ol style="list-style-type: none"> <li>1. Disengage the blade (PTO).</li> <li>2. Set the parking brake.</li> <li>3. Charge the battery.</li> <li>4. Check the electrical connections for good contact.</li> <li>5. Replace the fuse.</li> <li>6. Contact an Authorized Service Dealer.</li> </ol>
The engine will not start, starts hard, or fails to keep running.	<ol style="list-style-type: none"> <li>1. The operator is not seated.</li> <li>2. The fuel tank is empty.</li> <li>3. The air cleaner is dirty.</li> <li>4. The spark plug wire is loose or disconnected.</li> <li>5. The spark plug is pitted, fouled, or the gap is incorrect.</li> <li>6. The choke is not closing.</li> <li>7. There is dirt in the fuel filter.</li> <li>8. The idle speed is too low or the mixture is incorrect.</li> <li>9. Dirt, water, or stale fuel is in the fuel system.</li> <li>10. The engine is flooded.</li> <li>11. The battery is dead.</li> </ol>	<ol style="list-style-type: none"> <li>1. Sit on the seat.</li> <li>2. Fill the fuel tank with gasoline.</li> <li>3. Clean or replace the air cleaner element.</li> <li>4. Connect the wire to the spark plug.</li> <li>5. Install a new, correctly-gapped spark plug.</li> <li>6. Adjust the throttle cable.</li> <li>7. Replace the fuel filter.</li> <li>8. Adjust the carburetor idle speed and idle mixture.</li> <li>9. Contact an Authorized Service Dealer.</li> <li>10. Remove the spark plug and dry it out.</li> <li>11. Charge the battery.</li> </ol>
The engine loses power.	<ol style="list-style-type: none"> <li>1. The engine load is excessive.</li> <li>2. The air cleaner element is dirty.</li> <li>3. The oil level in the crankcase is low.</li> <li>4. The cooling fins and air passages under the engine blower housing are plugged.</li> <li>5. The spark plug is pitted, fouled, or the gap is incorrect.</li> <li>6. There is dirt in the fuel filter.</li> <li>7. Dirt, water, or stale fuel is in the fuel system.</li> </ol>	<ol style="list-style-type: none"> <li>1. Shift into a lower gear to reduce the ground speed.</li> <li>2. Clean the air cleaner element.</li> <li>3. Add oil to the crankcase.</li> <li>4. Remove the obstruction from the cooling fins and air passages.</li> <li>5. Install a new, correctly-gapped spark plug.</li> <li>6. Replace the fuel filter.</li> <li>7. Contact an Authorized Service Dealer.</li> </ol>

<b>Problem</b>	<b>Possible Causes</b>	<b>Corrective Action</b>
The engine overheats.	<ol style="list-style-type: none"> <li>1. The engine load is excessive.</li> <li>2. The oil level in the crankcase is low.</li> <li>3. The cooling fins and air passages under the engine blower housing are plugged.</li> </ol>	<ol style="list-style-type: none"> <li>1. Shift into a lower gear to reduce the ground speed.</li> <li>2. Add oil to the crankcase.</li> <li>3. Remove the obstruction from the cooling fins and air passages.</li> </ol>
There is an abnormal vibration.	<ol style="list-style-type: none"> <li>1. The blade is bent or unbalanced.</li> <li>2. The blade mounting bolt is loose.</li> <li>3. The engine mounting bolts are loose.</li> <li>4. There is a loose engine pulley, idler pulley, or blade pulley.</li> <li>5. The engine pulley is damaged.</li> </ol>	<ol style="list-style-type: none"> <li>1. Install a new blade.</li> <li>2. Tighten the blade mounting bolt.</li> <li>3. Tighten the engine mounting bolts.</li> <li>4. Tighten the appropriate pulley.</li> <li>5. Contact an Authorized Service Dealer.</li> </ol>
The blade does not rotate.	<ol style="list-style-type: none"> <li>1. The blade drive belt is worn, loose, or broken.</li> <li>2. The blade drive belt is off of the pulley.</li> </ol>	<ol style="list-style-type: none"> <li>1. Contact an Authorized Service Dealer.</li> <li>2. Contact an Authorized Service Dealer.</li> </ol>
The machine does not drive.	<ol style="list-style-type: none"> <li>1. The traction belt is worn, loose, or broken.</li> <li>2. The traction belt is off the pulley.</li> <li>3. The transmission does not shift.</li> </ol>	<ol style="list-style-type: none"> <li>1. Contact an Authorized Service Dealer.</li> <li>2. Contact an Authorized Service Dealer.</li> <li>3. Contact an Authorized Service Dealer.</li> </ol>
The cutting height is uneven.	<ol style="list-style-type: none"> <li>1. The tire pressure is incorrect.</li> <li>2. The mower is not level.</li> <li>3. The underside of the mower is dirty.</li> </ol>	<ol style="list-style-type: none"> <li>1. Set the tire pressure.</li> <li>2. Level the mower.</li> <li>3. Clean under the mower.</li> </ol>
The cutting quality is poor.	<ol style="list-style-type: none"> <li>1. The cutting blade is worn.</li> <li>2. The cutting height is incorrect.</li> </ol>	<ol style="list-style-type: none"> <li>1. Sharpen or replace the cutting blade.</li> <li>2. Adjust the cutting height.</li> </ol>
The grass collector fails to fill.	<ol style="list-style-type: none"> <li>1. The cutting height is too low.</li> <li>2. The grass is too heavy or damp.</li> <li>3. The cutting blade is worn.</li> <li>4. The grass is too high.</li> <li>5. The discharge area is blocked.</li> </ol>	<ol style="list-style-type: none"> <li>1. Raise the cutting height.</li> <li>2. Wait until the grass has dried.</li> <li>3. Sharpen or replace the blade.</li> <li>4. Raise the cutting height.</li> <li>5. Remove the obstruction from the discharge area.</li> </ol>

