



Mower Deck Lift Assist Kit

Z400 Series Z Masters®

Part No. 108-4090

Form No. 3353-232

Installation Instructions

Note: Determine the left and right sides of the machine from the normal operating position.

Loose Parts

Note: Use the chart below to identify parts used for assembly.

| Description | Qty. | Use |
|----------------------|------|----------------------------------|
| Lift assist lever | 1 | Installing the lift assist lever |
| Nut, 5/16 inch | 2 | |
| Screw, 5/16 x 2 inch | 2 | |
| Strap | 1 | |

Installing the Lift Assist Lever

1. Place the lift assist lever between the frame and the lift shaft (Fig. 1).

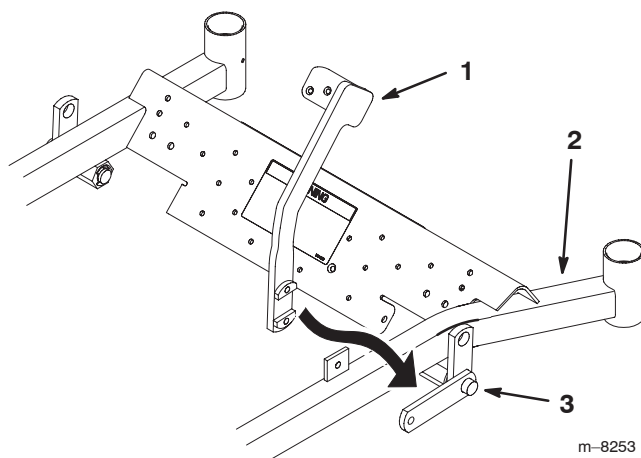


Figure 1

1. Lift assist lever
2. Frame
3. Lift shaft

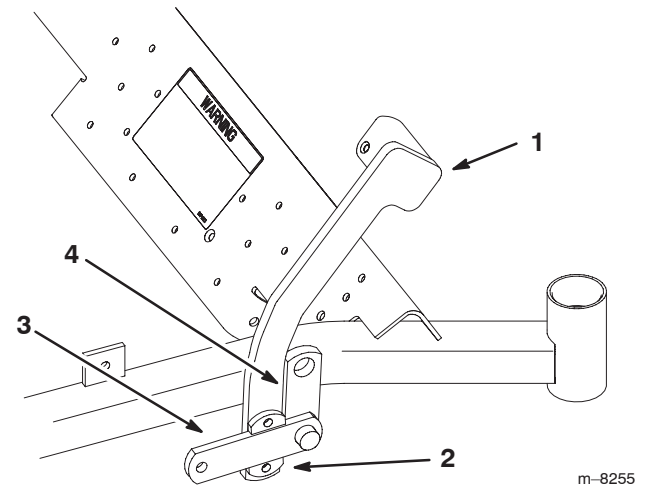


Figure 2

1. Lift assist lever
2. Welded blocks
3. Horizontal bar
4. Tight against verticle bar

2. Position the lift assist lever with the welded blocks on the top and bottom of the horizontal bar (Fig. 2).
3. Place the lift lever tight against the verticle bar (Fig. 2).

Note: Make sure the strap is installed as shown in Figure 3.

4. Secure the lift assist lever to the lift shaft with the strap, 2 screws (5/16 x 2 inch), and 2 locknuts (5/16 inch) (Fig. 3).

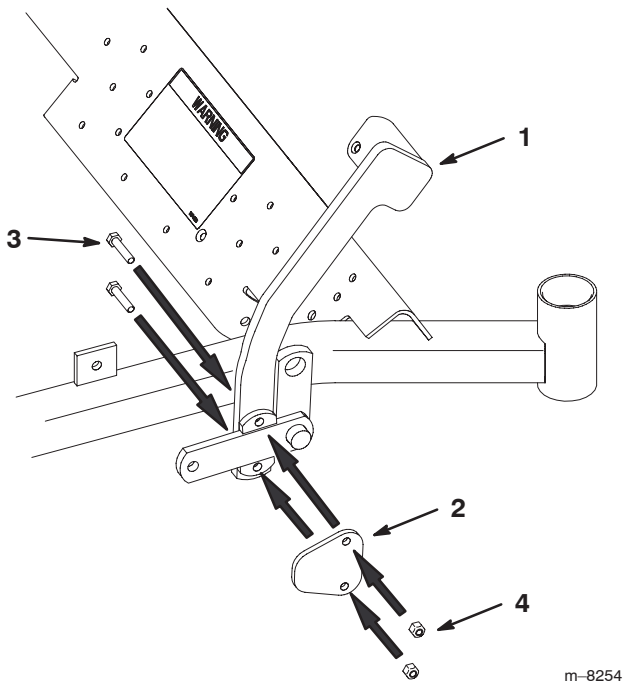


Figure 3

- | | |
|----------------------|------------------------|
| 1. Lift assist lever | 3. Bolt, 5/16 x 2 inch |
| 2. Strap | 4. Nut, 5/16 inch |

Using the Lift Assist Lever

The lift assist lever is used along with the height-of-cut lever for raising the mower. This allows for easier raising of the mower.

1. Place your foot onto the lift assist lever.
2. Press on the lift assist lever while pulling up on the height-of-cut lever.