



420 Garden Tractor

Model No. 72211 - 250000001 and up.

Parts Catalog

Ordering Replacement Parts

To order replacement parts, please supply the part number, the quantity, and the description of each part desired.

Understanding Reference Numbers

Each Identified part in an illustration has a reference number. The reference number for a part also appears in the parts list, along with other information about the part.

This catalog uses two special reference number formats, one to indicate parts in a service assembly and another to indicate the quantity of a given part in an illustration.

Service Assembly Reference Numbers

Parts in service assemblies have reference numbers in the form a:b. The a represents the reference number of the entire service assembly and the b represents a sequential number unique to each part within the service assembly.

For example, a wheel assembly might be identified by reference number 6, the tire by 6:1, the valve by 6:2, and the wheel by 6:3. When you order the assembly identified by reference number 6, you receive all parts identified by reference numbers 6:1, 6:2, and 6:3. However, you may also order any part individually. Reference numbers of this type appear in illustrations and in part lists.

Reference Numbers Indicating Quantity

In an illustration, if a reference number indicates more than one part, the reference number has the form nX y. The n represents the quantity of the part, the X is the multiplication symbol, and the y represents the reference number.

For example, in an illustration, the reference number 2X 37 means that two of the parts identified by reference number 37 are indicated.

Contents

Description	Page	Description	Page
Hood and Grill Assembly 3	Seat Assembly 24
Hydro Drive Assembly 4	Dash Assembly 25
Front Axle and Hitch Assembly 5	Rear Wheel Assembly 26
PTO Stop Assembly 6	Cruise Control Assembly 27
Engine, Muffler and PTO Assembly 7	Cylinder and Crankcase Assembly Kawasaki FH541V-DS04 28
Battery Assembly 8	Piston and Crankshaft Assembly Kawasaki FH541V-DS04 29
Fuel Tank Assembly 9	Valve and Camshaft Assembly Kawasaki FH541V-DS04 30
Lower Steering Wheel and Tilt Assembly 10	Cooling Equipment Assembly Kawasaki FH541V-DS04 31
Steering Wheel and Tilt Assembly 11	Lubrication Equipment Assembly Kawasaki FH541V-DS04 32
Hoodstand and Firewall Assembly 12	Electric Equipment Assembly Kawasaki FH541V-DS04 34
Manual Lift Lever Assembly 13	Carburetor Assembly Kawasaki FH541V-DS04 35
Lift Assembly 14	Control Equipment Assembly Kawasaki FH541V-DS04 36
Brake Assembly 15	Air Filter and Muffler Assembly Kawasaki FH541V-DS04 38
Hydro Control Assembly 16	Fuel Tank and Valve Assembly Kawasaki FH541V-DS04 39
Frame Assembly 17	Starter Assembly Kawasaki FH541V-DS04 40
Hydro Transaxle Assembly 18	Label Assembly Kawasaki FH541V-DS04 42
Housing and Fan Assembly Transaxle Assembly No. 104-4310 19		
Differential Gear Assembly Transaxle Assembly No. 104-4310 20		
Brake Assembly Transaxle Assembly No. 104- 4310 21		
Cylinder Block Assembly Transaxle Assembly No. 104-4310 22		
Fender and Footrest Assembly 23		

Part Description Abbreviations

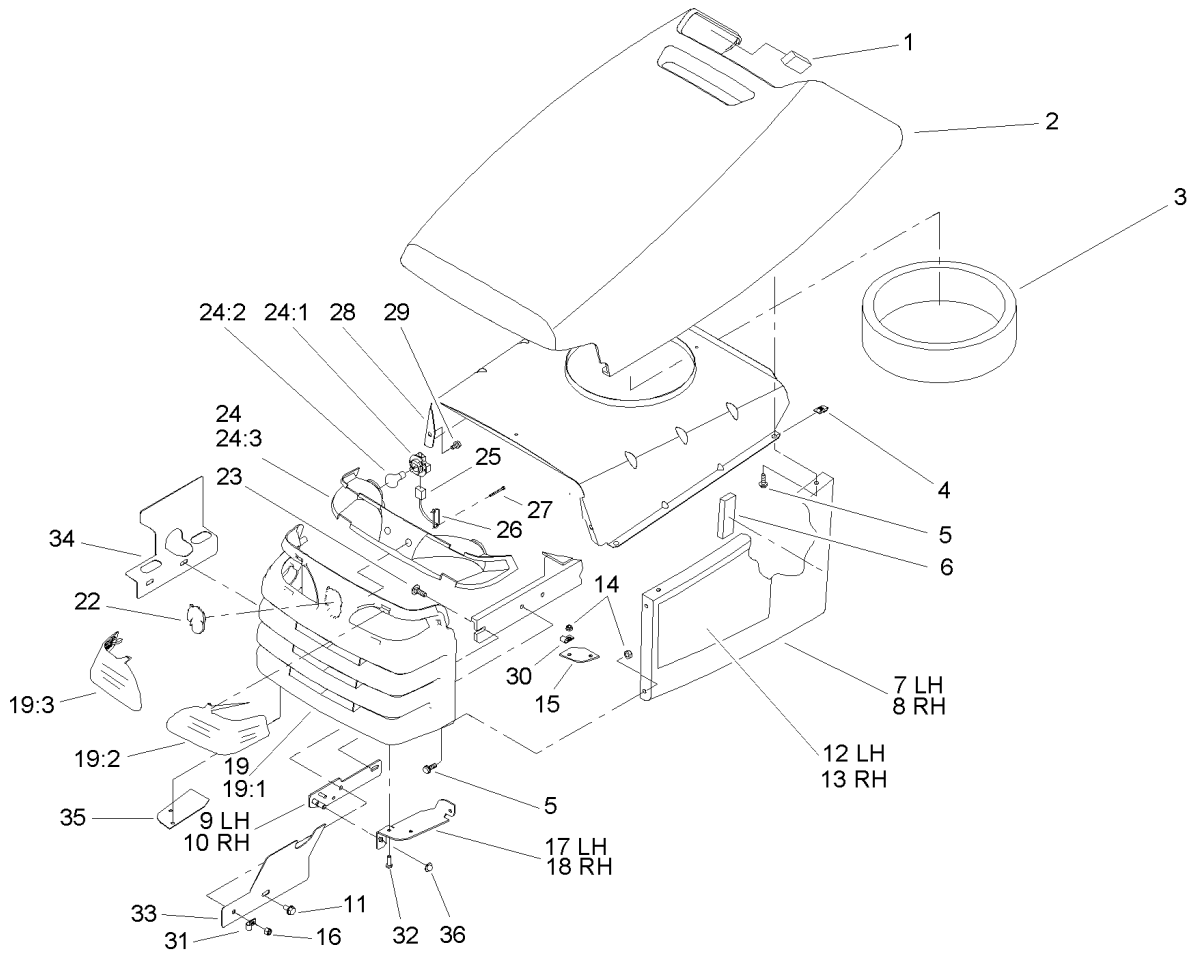
Part descriptions in this catalog may include the following abbreviations.

AR. as required	HWHTF. hex washer head thread forming
ASM. assembly	HYD. hydraulic
BBC. blade brake clutch	INC. incorporated
CARR. carriage	LH. left hand
DEG. degrees	NI. nylon insert
EXT. external	NPTF. national pipe thread fine
FH. flat head	PPH. phillips pan head
GA. gauge	PPHTF. phillips pan head thread forming
HF. hex flange	PRH. phillips round head
HH. hex head	PTH. phillips truss head
HHF. hex head flange	PTO. power take off
HHFTF. hex head flange thread forming	RH. right hand
HJ. hex jam	ROPS. roll over protection system
HLH. hex lag head	SFH. slotted fillister head
HOC. height-of-cut	SHH. slotted hex head
HSBH. hex socket button head	SHWH. slotted hex washer head
HSFH. hex socket flat head	SPH. slotted pan head
HSH. hex socket head	SQH. square head
HWH. hex washer head	

Footnotes

- ❶ Not illustrated
- ❷ Obtain from your local Kawasaki dealer

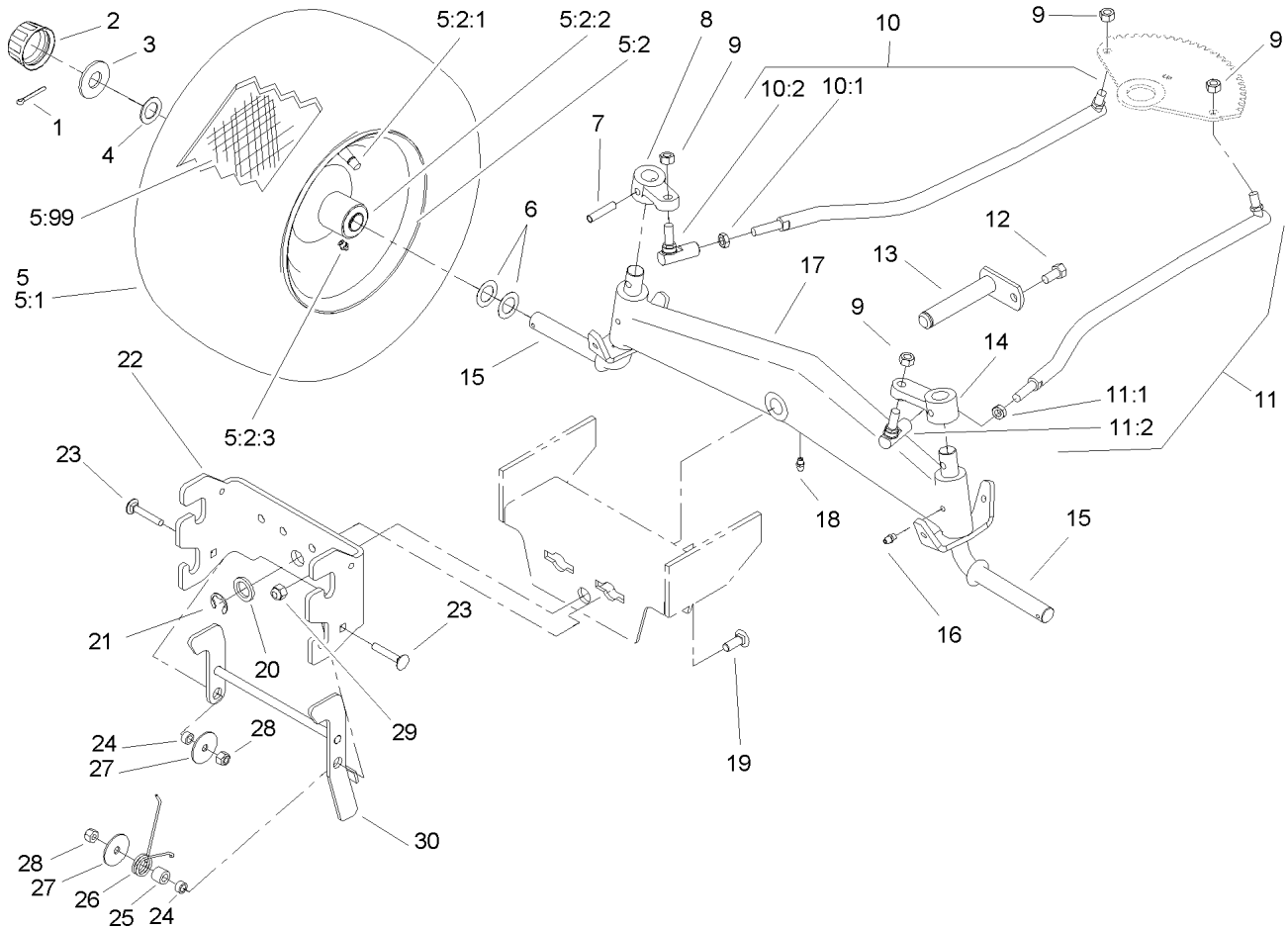
- ❸ Not serviced separately



Hood and Grill Assembly

Ref	Part No.	Qty.	Description
1	94-1980	2	Foam-Hood
2	93-0490	1	Hood ASM
3	92-7076	1	Seal-Air Inlet, Twin
4	92-7006	4	Nut
5	32105-15	8	Screw
6	92-7148	2	Foam-Sidepanel
7	93-0491	1	Hood-Side, LH
8	93-0492	1	Hood-Side, RH
9	106-5673-03	1	Bracket-Hinge, LH
10	106-5672-03	1	Bracket-Hinge, RH
11	32144-14	2	Screw-HWH
12	107-8902	1	Decal-Hood, LH
13	107-8913	1	Decal-Hood, RH
14	32128-10	8	Nut-Lock, HHF
15	106-5676-03	2	Hinge-Hood
16	3296-29	2	Nut-Lock, NI
17	106-5680-03	1	Bracket-Hood, Hinge, LH
18	106-5682-03	1	Bracket-Hood, Hinge, RH
19		1	Grille ASM
19:1	106-5595	1	Grille
19:2	106-5693	1	Lens-LH
19:3	106-5692	1	Lens-RH
22	95-4248	1	Decal
23	3230-16	2	Screw-CARR

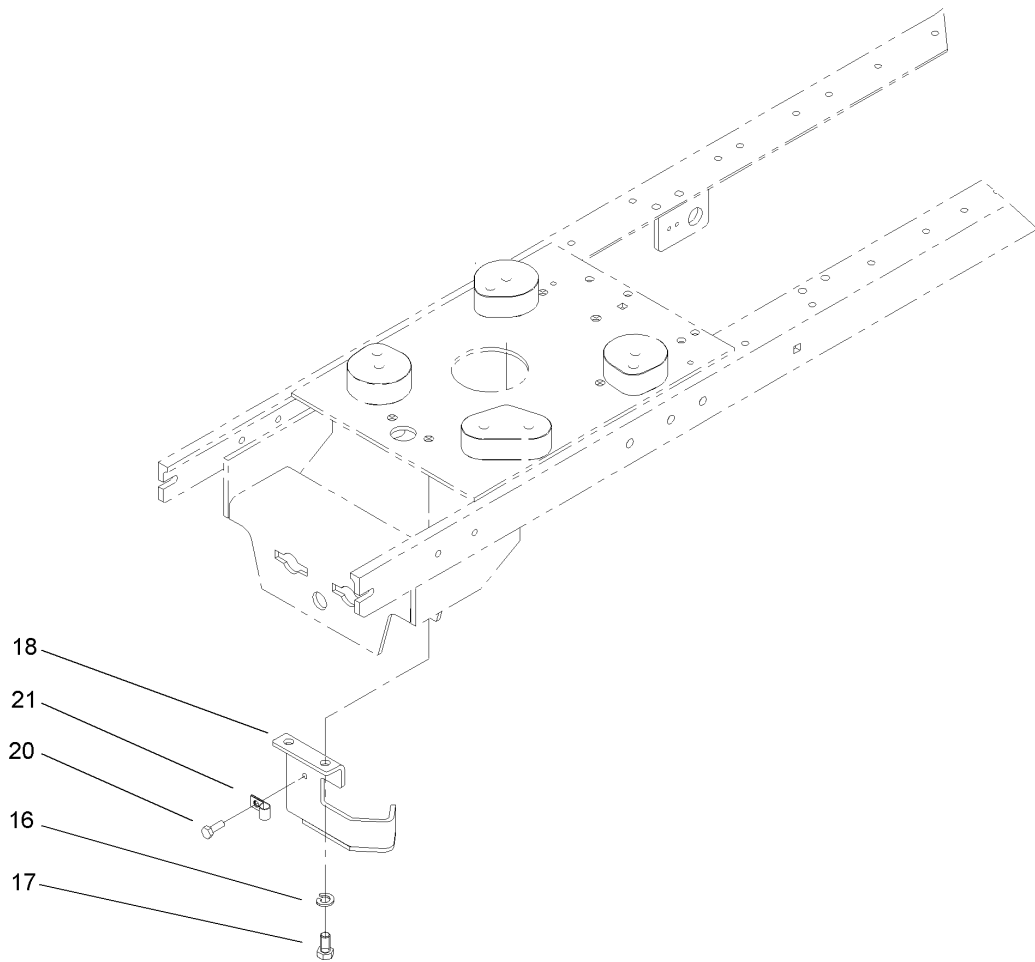
Ref	Part No.	Qty.	Description
24	106-9870	1	Reflector And Lamp ASM
24:1	116262	2	Socket-Headlight
24:2	7228	2	Bulb
24:3	106-9869	1	Reflector
25	106-9890	1	Harness-Wire, Headlights
26	614249	2	Strap-Tie
27	94-6961	2	Screw
28	92-6914-03	1	Baffle-Hood, Upper
29	46-8093	2	Screw-Plastite
30	2412-89	1	Clamp
31	98-2390	1	Clamp-R
32	321-5	4	Screw-HH
33	107-8485-03	1	Heat-Shield, LH
34	107-8484-03	1	Heat-Shield, RH
35	107-9201-03	1	Bracket-Heater
36	3290-320	1	Retainer-Push On



Front Axle and Hitch Assembly

Ref	Part No.	Qty.	Description
1	3272-17	2	Pin-Cotter
2	61-9780	2	Cap-Hub
3	28-2480	2	Washer
4	1278	2	Washer
5		2	Front Wheel And Tire ASM
5:1	99-2336	1	Tire
5:2	93-9801	1	Wheel ASM
5:2:1	5108	1	Valve
5:2:2	110513	2	Bearing-Wheel
5:2:3	109500	1	Zerk-Grease
5:99	105293	1	Tube-Inner
6	5210	4	Washer-Shim
7	933270	2	Pin
8	78-1950-03	1	Arm-Spindle, LH
9	9150026	4	Nut
10	92-6883	1	Linkage-Steering, RH
10:1	9150854	1	Nut-Jam
10:2	78-2920	1	Ball-Joint
11	92-6884	1	Linkage-Steering, LH
11:1	9150854	1	Nut-Jam
11:2	78-2920	1	Ball-Joint
12	9267154	1	Screw
13	92-7057-03	1	Pin-Axle
14	78-1940-03	1	Arm-Spindle, RH

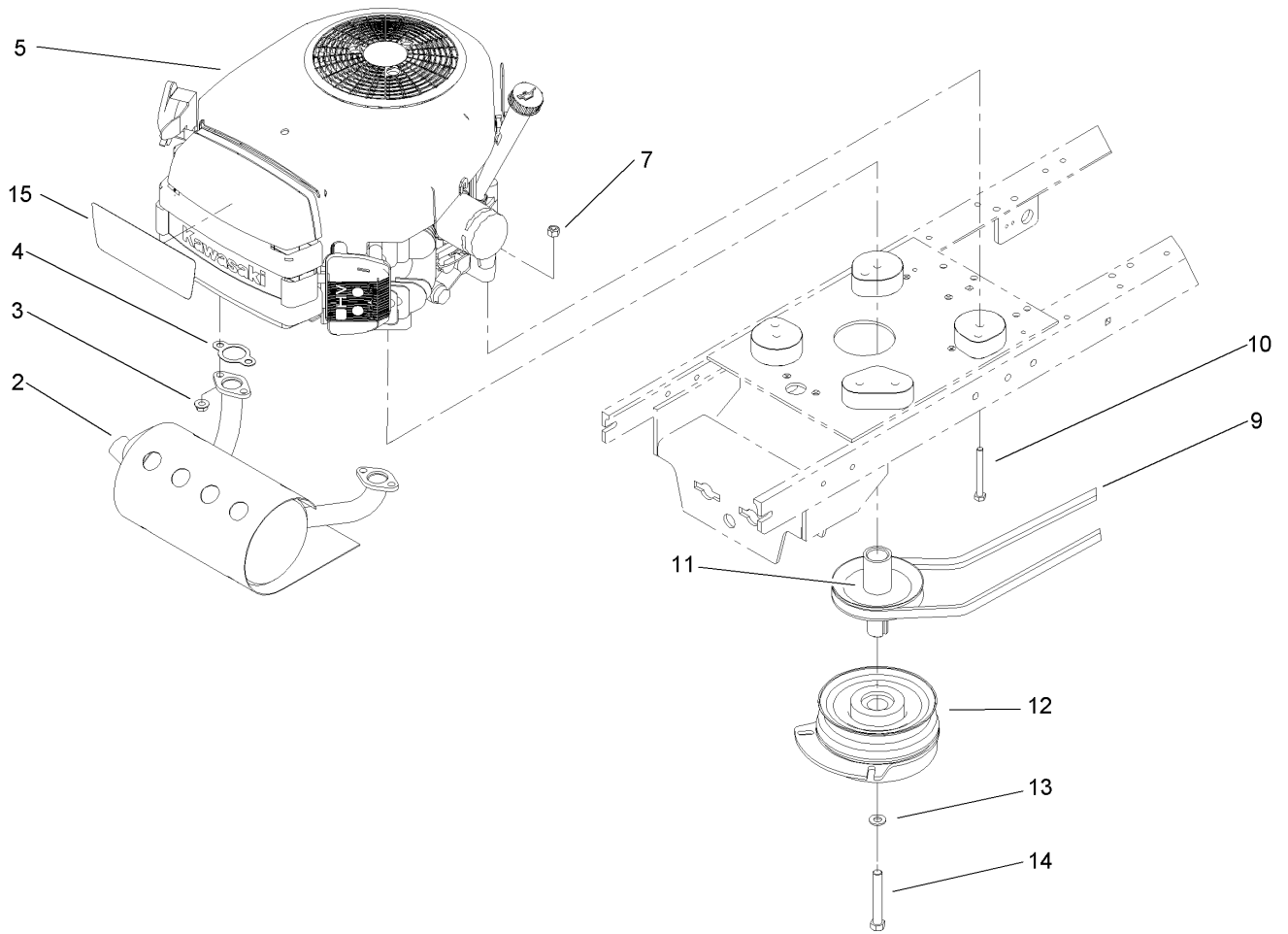
Ref	Part No.	Qty.	Description
15	78-2601-03	2	Spindle
16	302-5	2	Fitting-Grease
17	78-7960-03	1	Axle-Front
18	302-11	1	Fitting-Lube, 45 DEG
19	3231-25	4	Screw-CARR
20	9202324	1	Washer
21	5618	1	E-Ring
22	106-4044-03	1	Hitch-Front
23	3230-5	2	Screw-CARR
24	92-6998	2	Spacer-Yoke, Right
25	107-3677	1	Spacer-Tube
26	106-4048	1	Spring-Torsion
27	3256-68	2	Washer-Flat
28	3296-29	2	Nut-Lock, NI
29	3296-39	4	Nut-Lock, NI
30	106-5637-03	1	Latch ASM



PTO Stop Assembly

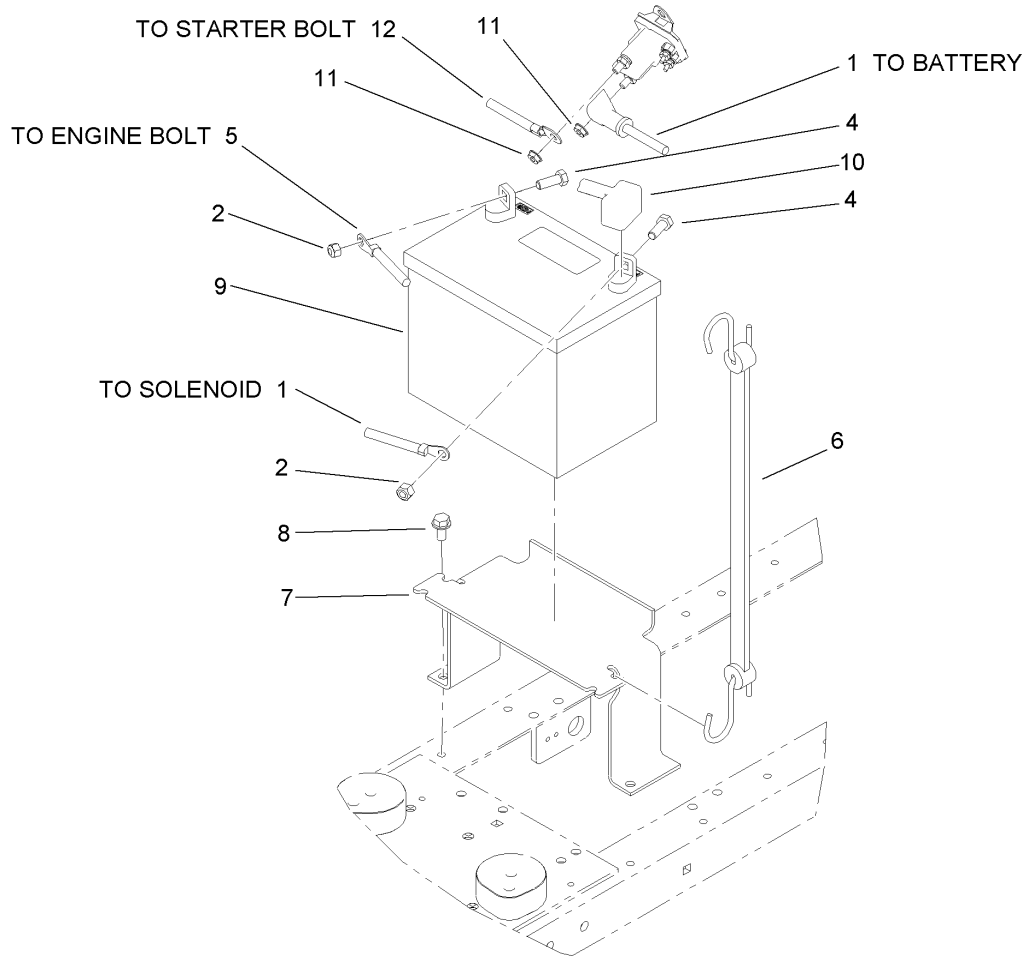
Ref	Part No.	Qty.	Description
16	3253-5	2	Washer-Lock
17	323-4	2	Screw-HH
18	107-3662-03	1	PTO Stop ASM
20	32144-4	1	Screw-HWH
21	2412-89	1	Clamp

--	--	--	--



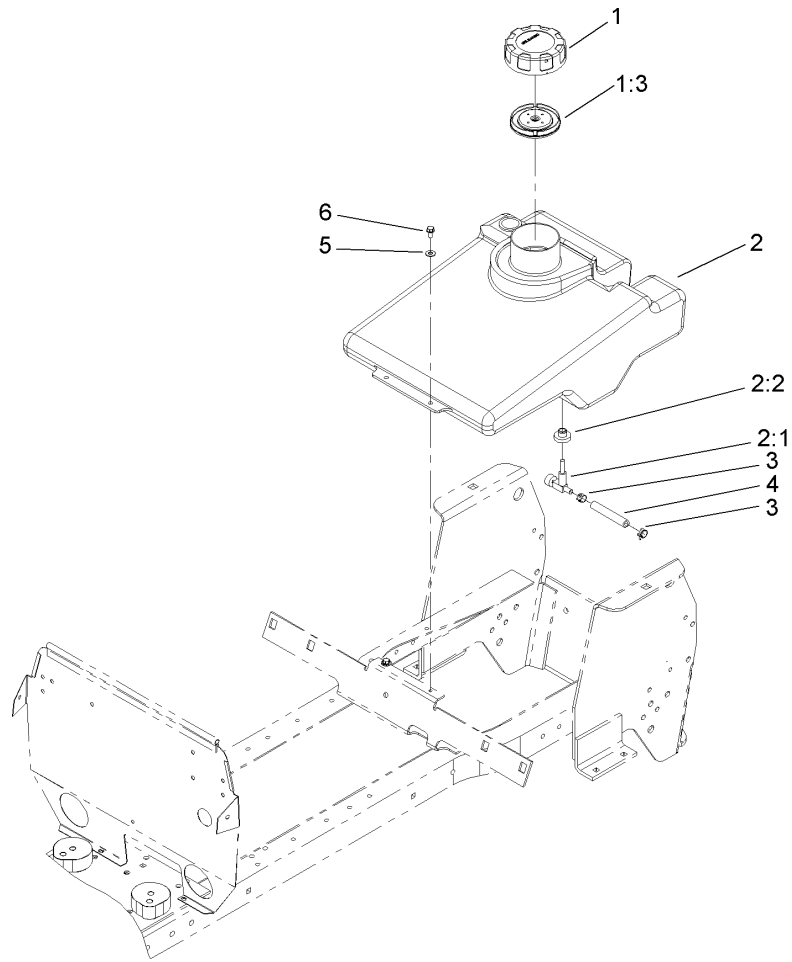
Engine, Muffler and PTO Assembly

Ref	Part No.	Qty.	Description
2	106-5666	1	Muffler
3	92-6780	4	Nut-HF
4	93-0350	2	Gasket-Exhaust
5		1	Engine-Kawasaki, FH541V-Ds04
7	3296-29	4	Nut-Lock, NI
9	106-5813	1	V-Belt, Traction
10	322-13	4	Screw-HH
11	106-5665	1	Pulley-Engine
12	106-4099	1	Clutch
13	3256-25	1	Washer-Flat
14	3212-19	1	Screw-HH
15	107-9246	1	Decal



Battery Assembly

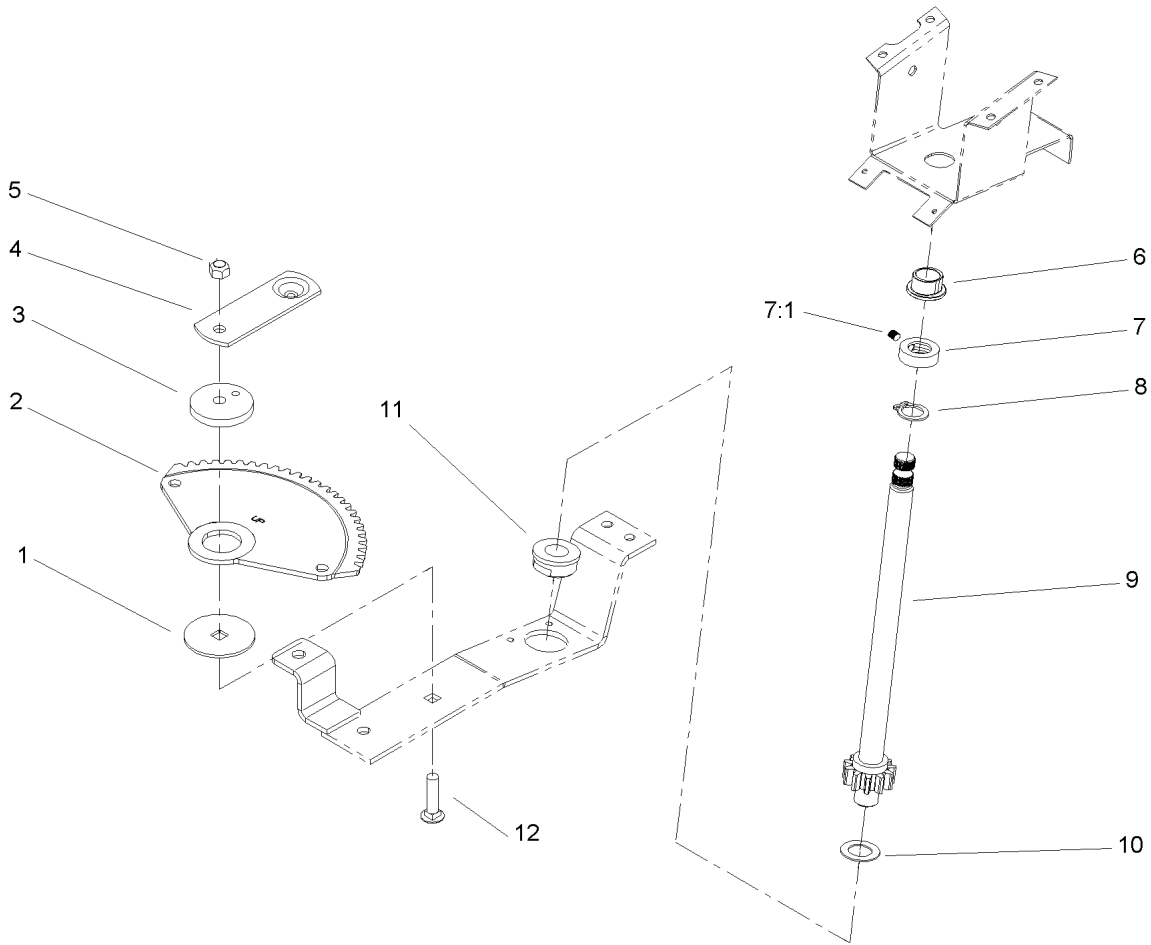
Ref	Part No.	Qty.	Description
1	106-8268	1	Cable-Battery, Red
2	3296-29	2	Nut-Lock, NI
4	322-4	2	Screw-HH
5	105-0836	1	Cable-Battery, Black
6	104-2467	1	Hold-Down, Battery
7	104-0812-03	1	Bracket-Battery
8	32144-14	2	Screw-HWH
9	104-2492	1	Battery
10	28-8080	1	Boot-Terminal
11	32149-2	2	Nut-Keps
12	106-8269	1	Cable-Battery, Red



Fuel Tank Assembly

Ref	Part No.	Qty.	Description
1	88-3980	1	Gas Cap ASM
1:3	88-4010	1	Gasket-Cap, Gas
2	94-6928	1	Tank-Gas
2:1	104048	1	Valve-Fuel
2:2	104047	1	Bushing
3	2412-98	2	Clamp
4	106-9876	1	Hose-Line, Fuel
5	3256-22	2	Washer-Flat
6	32144-4	2	Screw-HWH

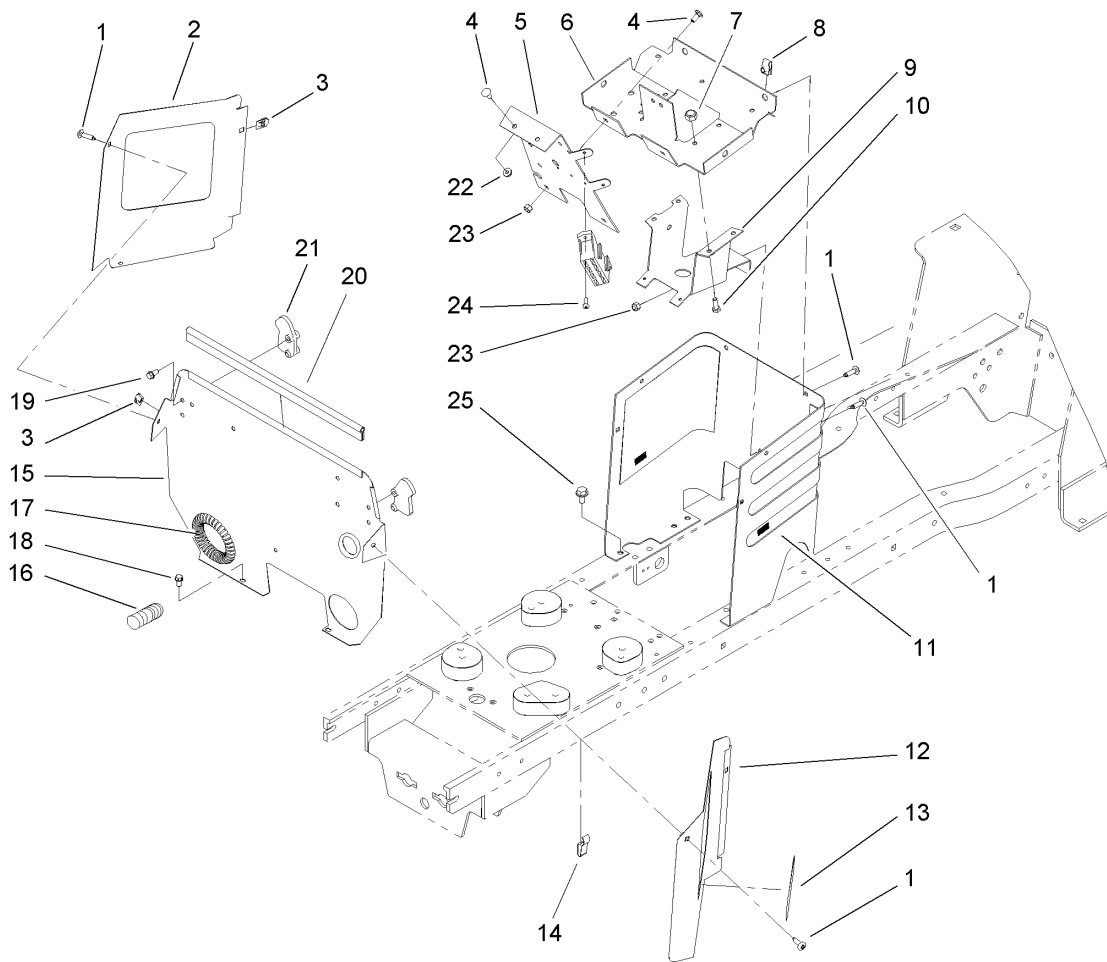
--	--	--	--



Lower Steering Wheel and Tilt Assembly

Ref	Part No.	Qty.	Description
1	111419	1	Washer-Bearing
2	106-8262	1	Sector-Gear
3	111418	1	Bushing
4	78-9150-03	1	Plate
5	108881	1	Nut
6	109189	1	Bearing-Flanged
7	111383	1	Collar
7:1	3245-32	1	Screw-HSH
8	111646	1	Ring-Retaining
9	92-6702	1	Shaft-Steering, Lower
10	1278	1	Washer
11	110391	1	Bearing-Wheel
12	3231-4	1	Screw-CARR

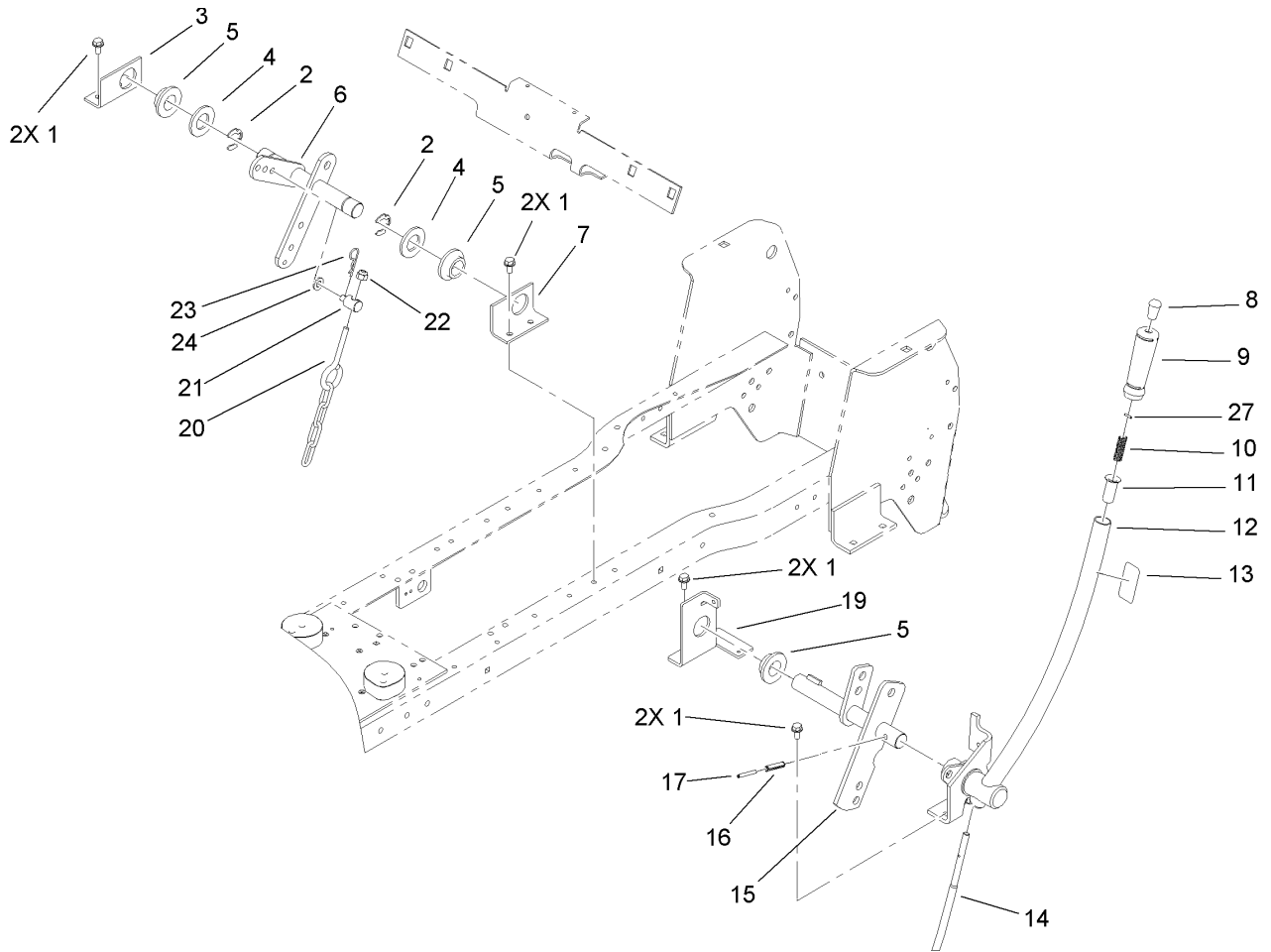
--	--	--	--



Hoodstand and Firewall Assembly

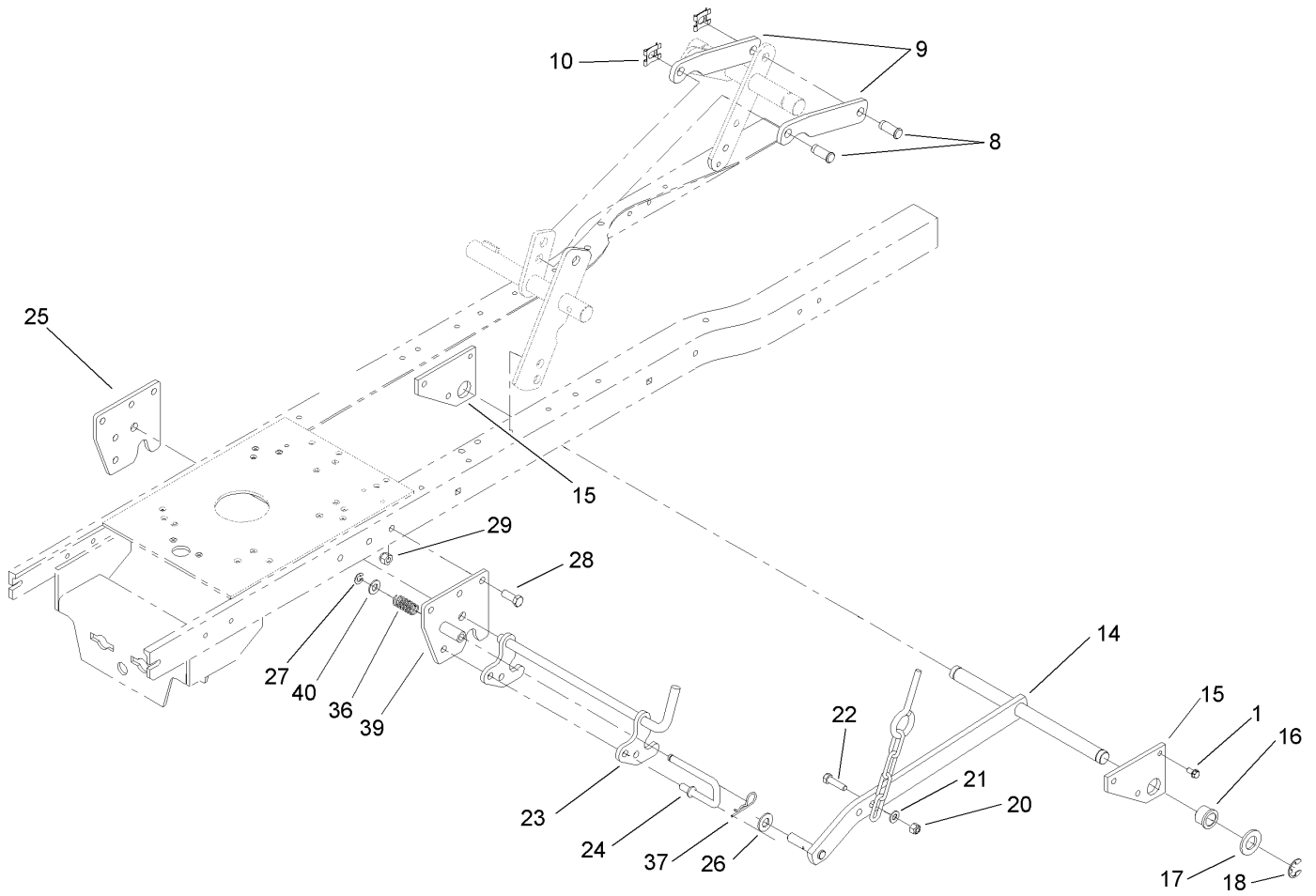
Ref	Part No.	Qty.	Description
1	92-7020	9	Screw-HH
2	92-6937-03	1	RH Side Cover ASM
3	92-7006	4	Nut
4	3229-11	4	Screw-CARR
5	106-8246-03	1	Panel-Support, Dash
6	92-6859-03	1	Support-Dash
7	3296-8	4	Nut-Lock
8	107069	4	Clip
9	92-6778-03	1	Bracket-Column, Lower
10	321-4	4	Screw-HH
11	106-5570-03	1	Hoodstand ASM
12	92-6936-03	1	LH Cover ASM
13	107-9242	2	Decal
14	212-93	1	Clamp-Casing
15	104-0818-03	1	Firewall
16	106-4147	1	Harness-Wire
17	24-7924	2	Cover-Shaft, Drive
18	32144-4	2	Screw-HWH
19	46-8093	2	Screw-Plastite
20	93-1131	1	Trim-Seal, Firewall
21	92-6960	2	Latch-Hood
22	32149-2	2	Nut-Keps
23	3296-42	3	Nut-Lock, NI
24	32144-8	2	Screw-HH

Ref	Part No.	Qty.	Description
25	32144-14	2	Screw-HWH



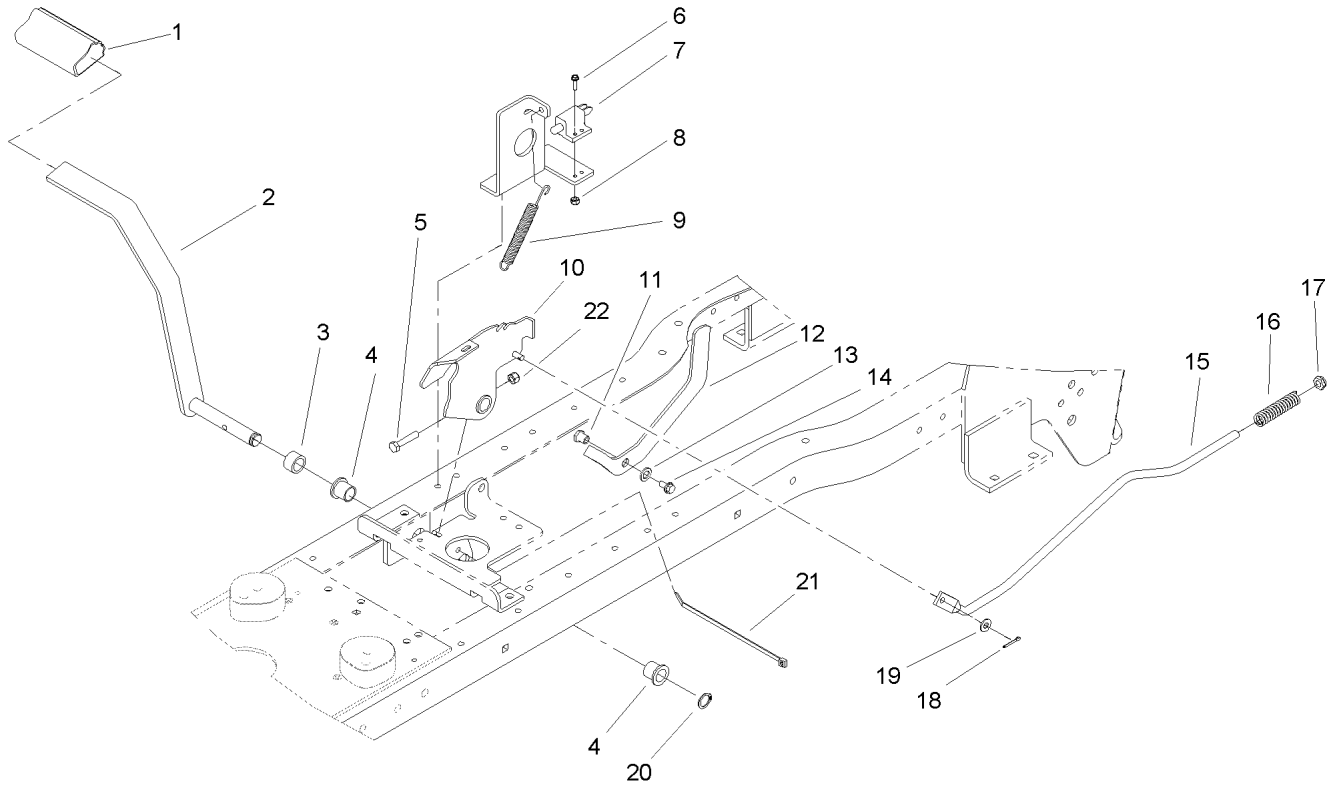
Manual Lift Lever Assembly

Ref	Part No.	Qty.	Description
1	32144-14	8	Screw-HWH
2	32151-91	2	Ring-Retaining
3	106-5650-03	1	Bracket-Pivot Linkage, RH
4	3256-62	2	Washer-Flat
5	106269	3	Bearing-Flange
6	106-5660-03	1	Lift Lever ASM
7	106-5652-03	1	Bracket-Pivot Linkage, LH
8	92-6711	1	Tip-Rod
9	92-6710	1	Grip-Handle
10	3624	1	Spring-Compression
11	8130	1	Retainer-Spring
12	106-5663-03	1	Lift Lever ASM
13	93-7323	1	Decal-Lift
14	92-6977-03	1	Rod-Lever, Lift
15	106-5656-03	1	Lift Arm ASM
16	32121-25	1	Pin-Roll
17	32121-103	1	Pin-Spring
19	106-4073-03	1	Bracket-Pivot, Lift
20	106522	1	Chain-Lift
21	79-2790	1	Trunnion
22	3296-39	1	Nut-Lock, NI
23	9335054	1	Pin-Hair
24	3256-24	1	Washer-Flat
27	933148	1	Pin-Spirol



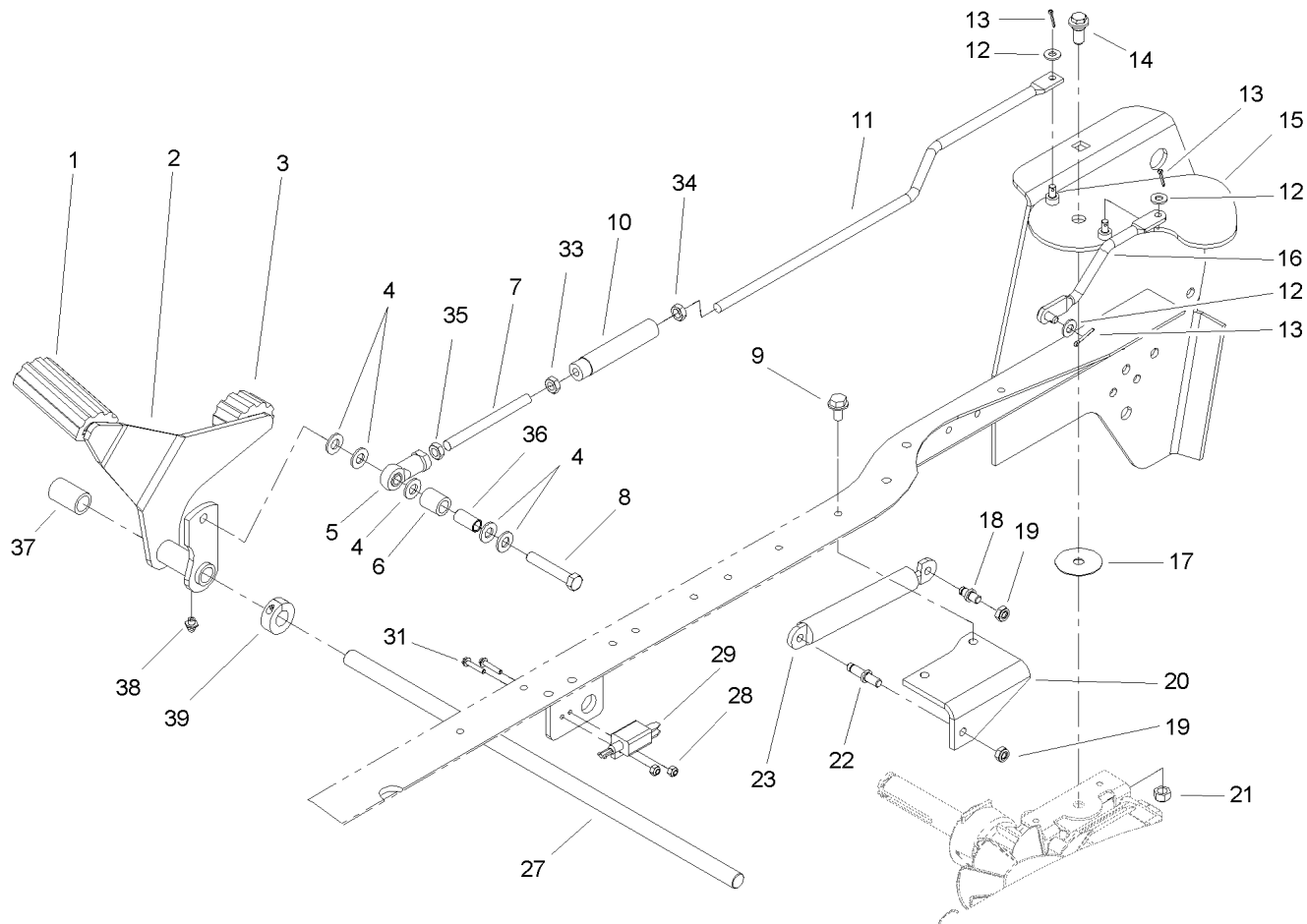
Lift Assembly

Ref	Part No.	Qty.	Description
1	32144-14	2	Screw-HWH
8	98-1639	2	Pin-Clevis
9	106-5691-03	2	Strap-Link, Lift
10	95-4064	2	Clip-Pin
14	106-4065-03	1	Lift Bar ASM
15	106-4066	2	Plate-Lift, Rear
16	98-1636	2	Bushing-Flange
17	3256-28	2	Washer-Flat
18	32151-48	2	E-Ring
20	3296-29	1	Nut-Lock, NI
21	3256-23	1	Washer-Flat
22	322-6	1	Screw-HH
23	106-4091	1	Midhitch Latch ASM
24	107-3663	1	Rod-Catch
25	106-4060	1	Plate-Hitch
26	3256-26	1	Washer-Flat
27	105797	1	Ring-Retaining
28	323-46	6	Screw-HH
29	3296-39	6	Nut-Lock, NI
36	101853	1	Spring-Compression
37	9335054	1	Pin-Hair
39	107-3665	1	Midhitch ASM
40	3256-24	1	Washer-Flat



Brake Assembly

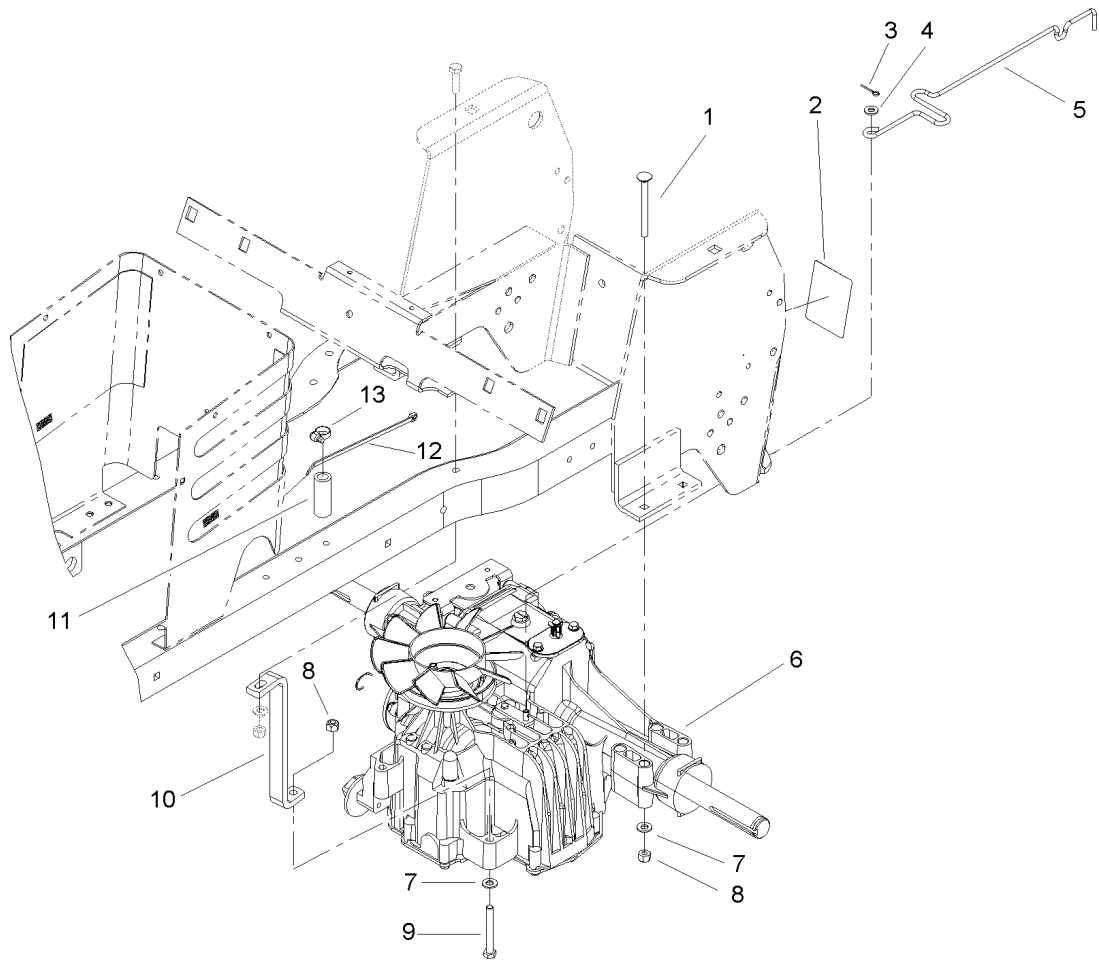
Ref	Part No.	Qty.	Description
1	65-2920	1	Pad-Pedal
2	106-4068-03	1	Brake Pedal ASM
3	92-6982	1	Spacer-Brake
4	256-90	2	Bushing-Flange
5	321-13	1	Screw-HH
6	3290-392	2	Screw-HHF
7	86-4690	1	Switch-Interlock
8	3296-1	2	Nut-Lock
9	93-0540	1	Spring-Extension
10	106-4069	1	Brake ASM
11	47-4990	1	Post-Mounting, Linkage
12	106-4075	1	Lever-Brake, Parking
13	106-5592	1	Spacer-Brake, Parking
14	3234-13	1	Screw-HHF
15	106-5621	1	Rod-Brake
16	104-0837	1	Spring-Compression
17	3296-5	1	Nut-Lock
18	3272-6	1	Pin-Cotter
19	3256-22	1	Washer-Flat
20	32151-62	1	Ring-Retaining
21	614249	1	Strap-Tie
22	3296-42	1	Nut-Lock, NI



Hydro Control Assembly

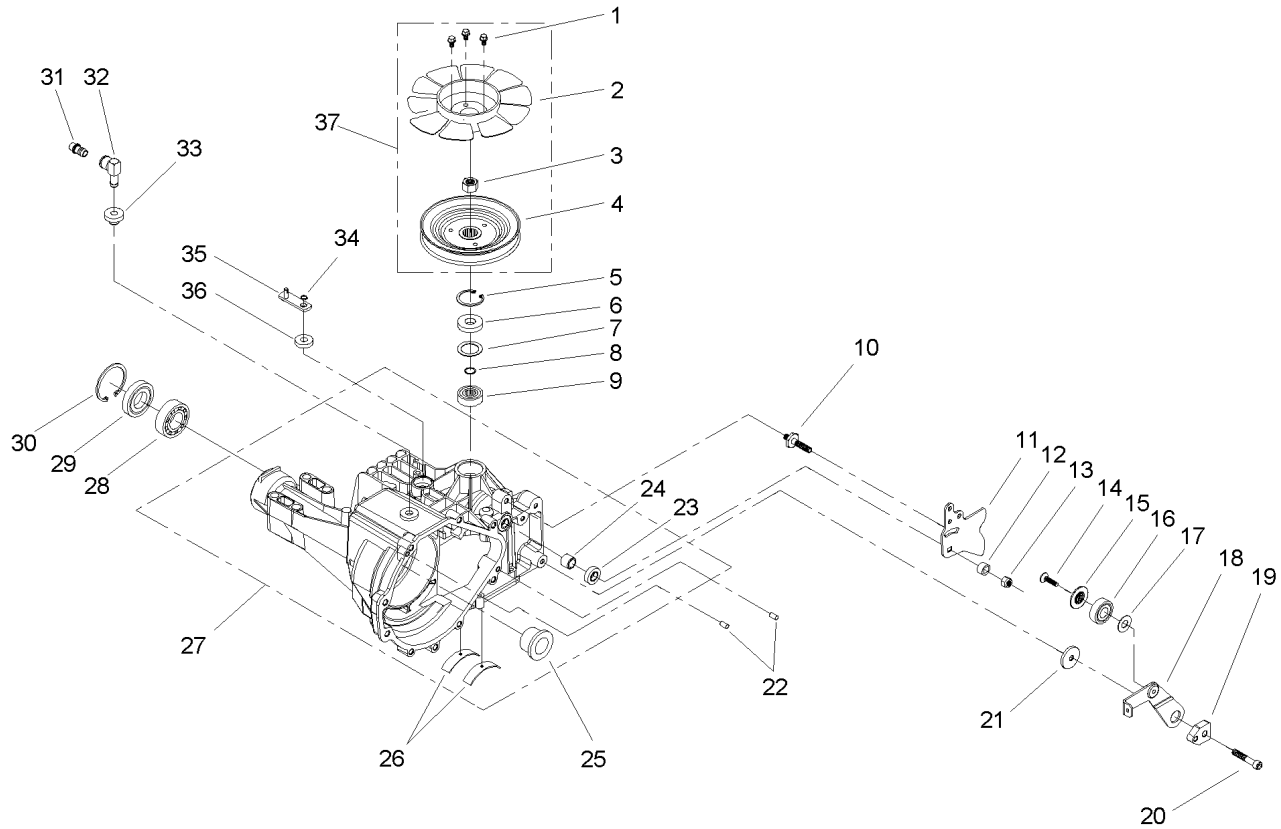
Ref	Part No.	Qty.	Description
1	92-6902	1	Pad-Pedal
2	107-3676-03	1	Hydro Pedal ASM
3	92-6903	1	Pad-Pedal
4	3256-24	5	Washer-Flat
5	92-7008	1	End-Rod, Female
6	106-9939	1	Spacer-Interlock
7	107-3674	1	Rod-Hydro, Front
8	323-11	1	Screw-HH
9	32144-14	1	Screw-HWH
10	95-1504	1	Turnbuckle
11	107-3679	1	Rod-Hydro, Rear
12	3256-23	3	Washer-Flat
13	3272-6	3	Pin-Cotter
14	94-7582	1	Bolt-Shoulder
15	106-5579	1	Cruise Plate ASM
16	106-5577	1	Bell Crank Rod ASM
17	94-7575	1	Spacer-Cruise
18	100-6056	1	Arm-Control, Pin Damper
19	3296-20	2	Nut-Lock, NI
20	106-8247-03	1	Bracket-Damper
21	108881	1	Nut
22	100-6057	1	Pin-Bracket, Damper
23	100-8732	1	Damper-Gas
27	94-4944	1	Shaft-Pivot, Pedal

Ref	Part No.	Qty.	Description
28	3296-1	2	Nut-Lock
29	106-4145	1	Switch-Adjustable
31	32105-29	2	Screw-SHWH
33	3220-3	1	Nut-Hex, Jam
34	106-8248	1	Nut-Jam
35	3218-3	1	Nut-Jam
36	76-1920	1	Sleeve-Bearing
37	92-6966	1	Spacer
38	302-26	1	Fitting-Grease
39	107-8453	1	Collar-Locking



Hydro Transaxle Assembly

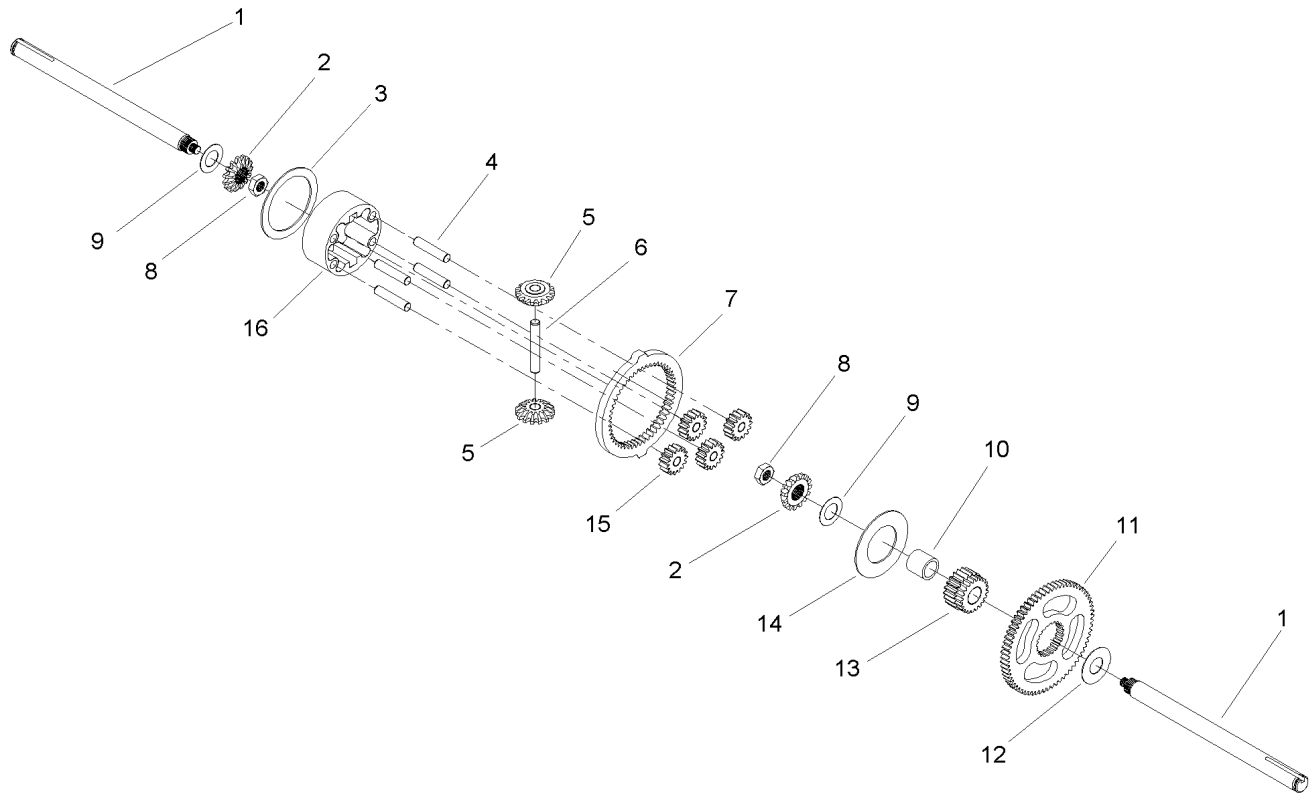
Ref	Part No.	Qty.	Description				
1	3230-11	4	Screw-CARR				
2	92-7090	1	Decal-Bypass Valve				
3	3272-2	1	Pin-Cotter				
4	3256-22	1	Washer-Flat				
5	104-5037	1	Rod-Bypass				
6	104-4310	1	Transaxle-Hydrostatic				
7	3256-23	5	Washer-Flat				
8	3296-29	5	Nut-Lock, NI				
9	322-11	1	Screw-HH				
10	100-1343-03	1	Strap-Torque				
11	106-5588	1	Hose-Breather				
12	614249	1	Strap-Tie				
13	2412-119	1	Clamp-Worm				



Housing and Fan Assembly Transaxle Assembly No. 104-4310

Ref	Part No.	Qty.	Description
1	104-2164	3	Screw
2	104-2162	1	Fan
3	104-2168	1	Nut-Hex
4	104-2161	1	Pulley
5	94-1903	1	Ring-Retaining
6	92-6543	1	Seal-Lip
7	104-2104	1	Spacer
8	94-1902	1	Ring-Wire, Retaining
9	94-1904	1	Bearing-Shaft, Ball
10	104-2116	1	Stud
11	100-6093	1	Arm-Control
12	104-2163	1	Spacer-Trunnion
13	104-2159	1	Nut-Hex, Lock
14	104-2158	1	Screw-Countersunk
15	104-2157	1	Spacer-Locating
16	104-2156	1	Bearing
17	94-1933	1	Washer
18	104-2114	1	Arm-Return
19	104-2119	1	Puck-Adjusting
20	104-2155	1	Screw
21	104-2154	1	Washer
22	104-2170	2	Pin
23	92-6544	1	Seal-Lip
24	104-2113	1	Bushing-Trunnion

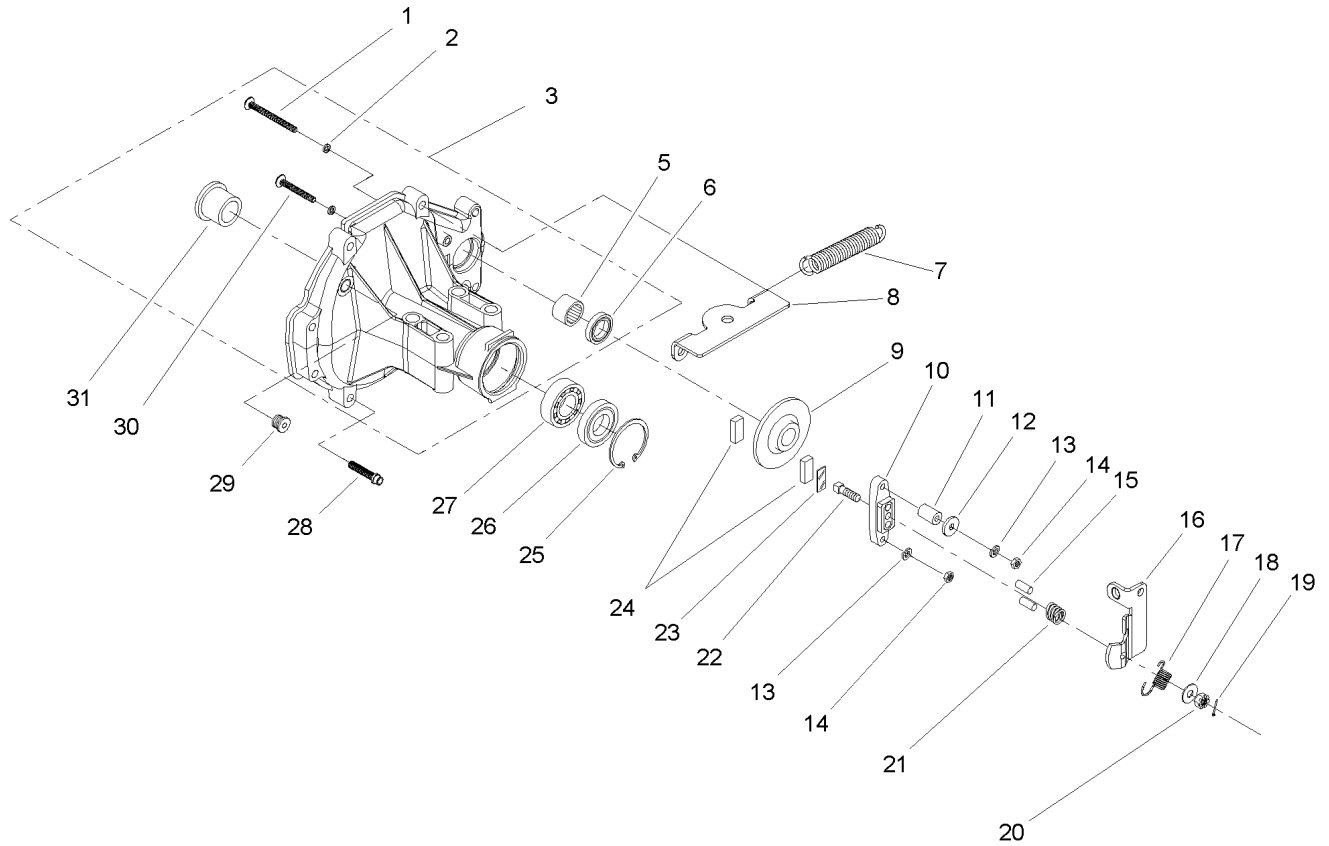
Ref	Part No.	Qty.	Description
25	104-2139	2	Bearing-Flange
26	94-1905	2	Bearing-Cradle
27	104-2101	1	Main Housing ASM
28	104-2143	2	Bearing-Ball
29	104-2144	2	Seal
30	104-2169	2	Ring-Retaining
31	93-3817	1	Fitting-Vent
32	104-2166	1	Fitting
33	104-2165	1	Bushing-Rubber
34	936109	1	Ring-Retaining
35	104-2117	1	Arm-Bypass
36	92-6545	1	Seal-Lip
37	104-2190	1	Fan/Pulley Kit



Differential Gear Assembly Transaxle Assembly No. 104-4310

Ref	Part No.	Qty.	Description
1	104-2145	2	Shaft-Axle
2	104-2135	2	Gear-Miter
3	104-2138	1	Plate-Thrust
4	104-2128	4	Pin-Carrier
5	104-2136	2	Gear-Miter
6	104-2137	1	Shaft
7	104-2133	1	Gear-Ring, 51T
8	104-2142	2	Nut-HJ
9	104-2140	2	Washer
10	104-2160	1	Bearing-Sleeve
11	104-2130	1	Gear-Spur, 67T
12	104-2141	1	Washer
13	104-2131	1	Gear-Sun, 21T
14	104-2132	1	Plate-Thrust, Planet
15	104-2129	4	Gear-Planet, 15T
16	104-2134	1	Carrier-Planetary

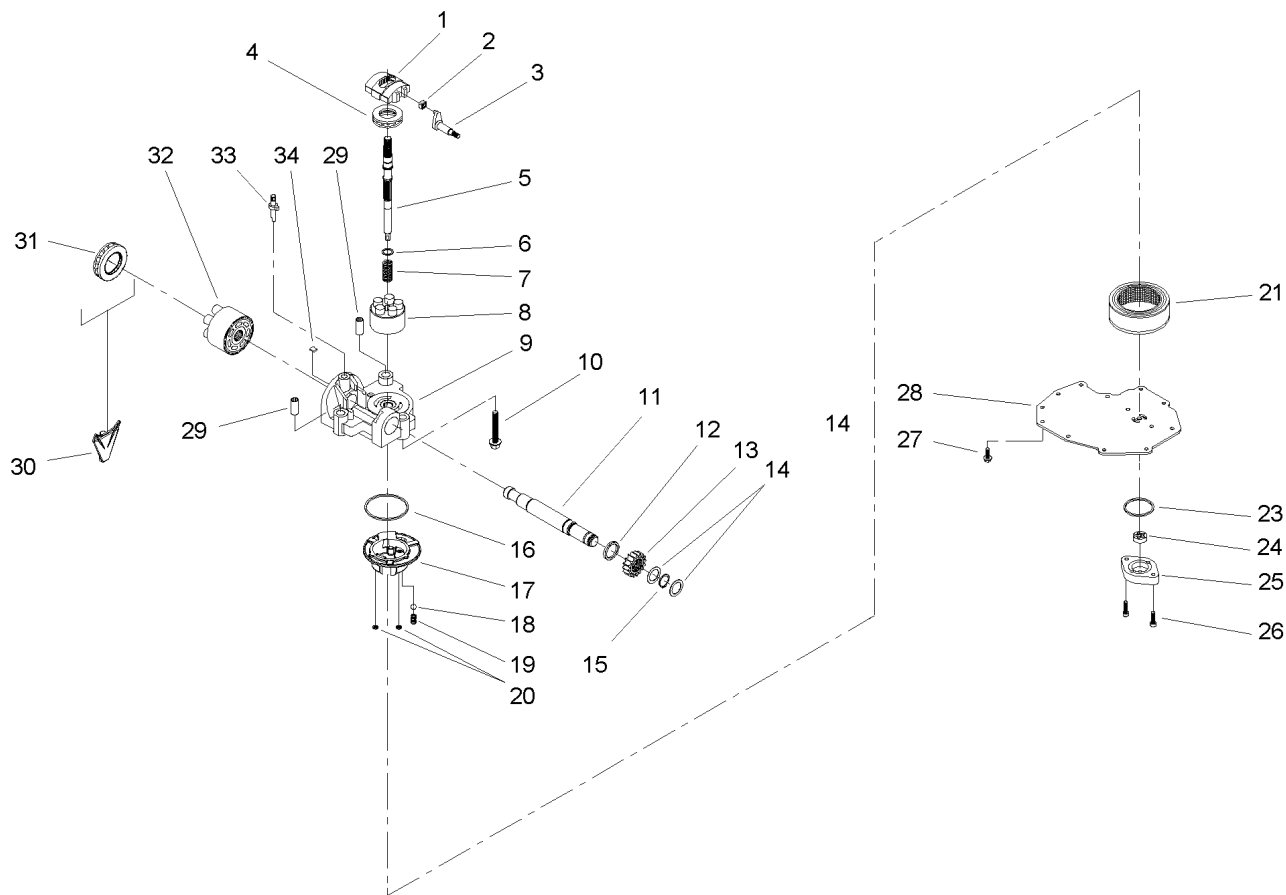
--	--	--	--



Brake Assembly Transaxle Assembly No. 104-4310

Ref	Part No.	Qty.	Description
1	104-2182	1	Bolt
2	104-2191	4	O-Ring
3	104-2102	1	RH Housing ASM
4	104-2147	1	Sealant
5	104-2149	1	Bearing-Needle
6	104-2152	1	Seal-Lip
7	104-2118	1	Spring-Return
8	100-1349	1	Bracket-Crank, Bell
9	104-2153	1	Disk-Brake
10	104-2173	1	Yoke-Brake
11	104-2180	1	Spacer
12	104-2183	1	Washer
13	104-2177	2	Washer-Lock
14	104-2178	2	Nut
15	104-2176	2	Pin-Brake
16	104-0841	1	Arm-Brake
17	104-2184	1	Spring-Arm, Brake
18	5-4460	1	Washer-Pivot
19	3272-7	1	Pin-Cotter
20	93-3807	1	Nut-Castle
21	104-2188	1	Spring-Brake, Anti Drag
22	104-2174	1	Bolt-SQH
23	104-2181	1	Puck-Plate
24	104-2171	2	Puck-Brake

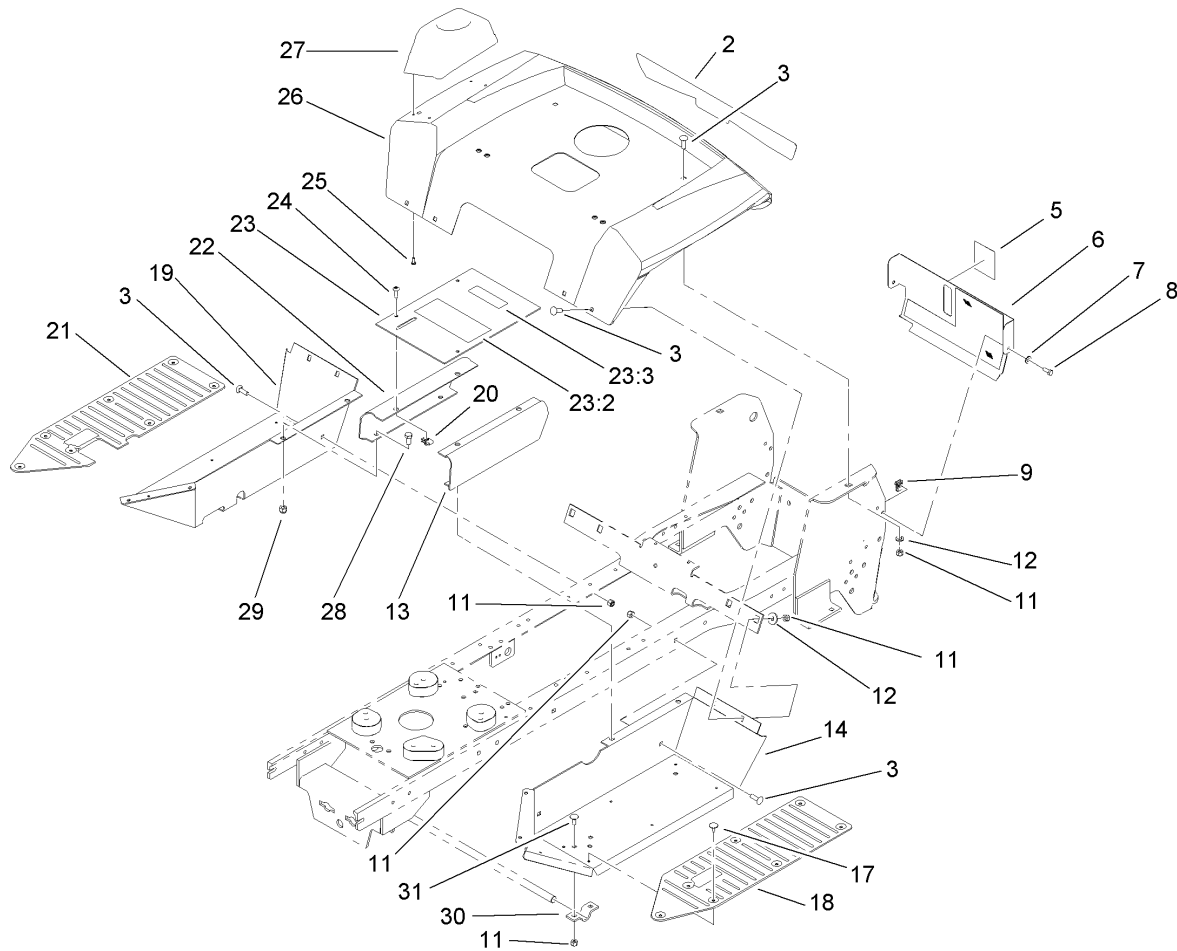
Ref	Part No.	Qty.	Description
25	104-2169	2	Ring-Retaining
26	104-2144	2	Seal
27	104-2143	2	Bearing-Ball
28	104-2148	9	Screw-TTH
29	104-2189	1	Plug-Thread, Straight
30	104-2172	1	Bolt
31	104-2139	2	Bearing-Flange



Cylinder Block Assembly Transaxle Assembly No. 104-4310

Ref	Part No.	Qty.	Description
1	94-1907	1	Swashplate-Variable
2	94-1910	1	Guide-Slot
3	104-2112	1	Trunnion ASM
4	94-6922	1	Bearing-Thrust
5	104-2105	1	Shaft-Input
6	94-1937	1	Washer-Block, Thrust
7	94-1936	1	Spring-Block
8	104-2106	1	Cylinder Block ASM
9	104-2103	1	Center Section Kit
10	94-6926	3	Bolt
11	104-2107	1	Shaft-Output
12	104-2109	1	Spacer
13	104-2110	1	Gear-Pinion, 16T
14	104-2150	2	Washer
15	104-2151	1	Ring-Retaining
16	104-2185	1	O-Ring
17	104-2156	1	Bearing
18	104-2187	1	Ball
19	104-2186	1	Spring-Relief
20	104-2191	4	O-Ring
21	104-2125	1	Filter
22	104-2147	1	Sealant
23	104-2123	1	O-Ring
24	104-2122	1	Gerotor ASM

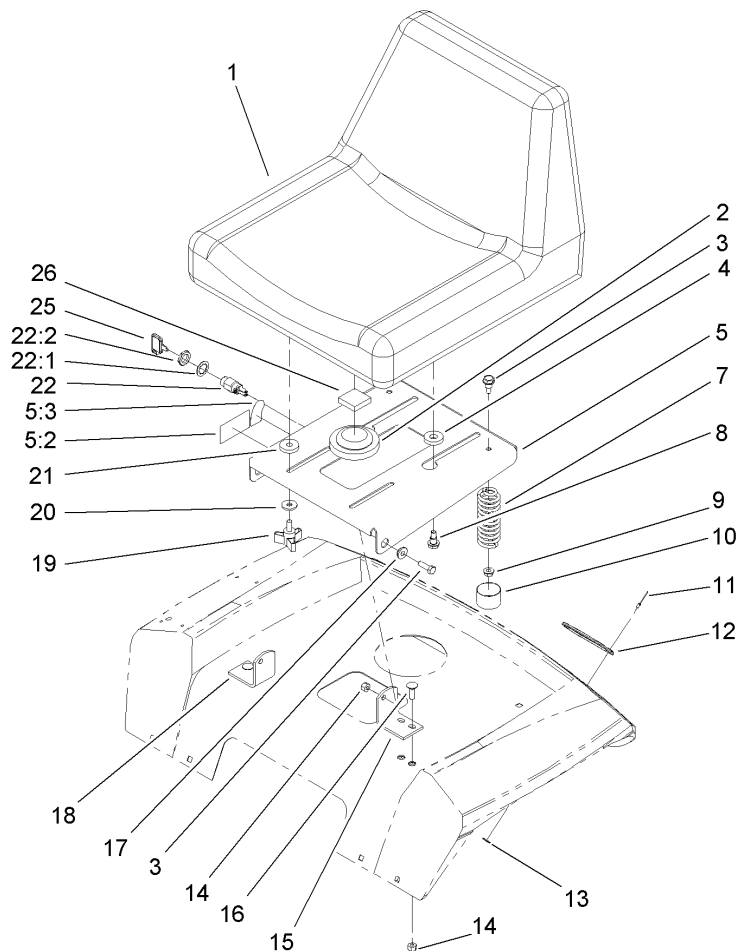
Ref	Part No.	Qty.	Description
25	104-2124	1	Cover-Gerotor
26	104-2111	2	Capscrew
27	104-2120	11	Screw
28	104-2121	1	Cover-Lower
29	94-1927	2	Pin
30	104-2127	1	Retainer-Bearing, Motor
31	94-6923	1	Bearing-Thrust
32	94-1913	1	Cylinder Block ASM
33	94-1914	1	Actuator-Bypass
34	94-6925	1	Plate-Bypass



Fender and Footrest Assembly

Ref	Part No.	Qty.	Description
2	106-5845	1	Decal-Fender, Rear
3	3230-31	10	Screw-CARR
5	92-6727	1	Decal-Level, Fuel
6	99-6765-03	1	Rear Panel ASM
7	3256-22	2	Washer-Flat
8	321-4	2	Screw-HH
9	609900	2	Nut-Speed
11	3296-29	14	Nut-Lock, NI
12	94-2869	6	Washer
13	106-5594-03	1	Channel-Saddle, LH
14	92-6746-01	1	Footrest-LH
17	3290-479	14	Fastener-Panel
18	92-6688	1	Footpad-LH
19	92-6747-01	1	Footrest-RH
20	107069	4	Clip
21	92-6687	1	Footpad-RH
22	106-5593-03	1	Channel-Saddle, RH
23	107-9214	1	Saddle Plate Decal ASM
23:2	93-7313	1	Decal-Slope/Hydro
23:3	104-7628	1	Decal-Manual
24	92-7020	4	Screw-HH
25	32144-20	4	Screw-HHFTF
26	106-5583-01	1	Fender ASM
27	104-0838	1	Holder-Cup

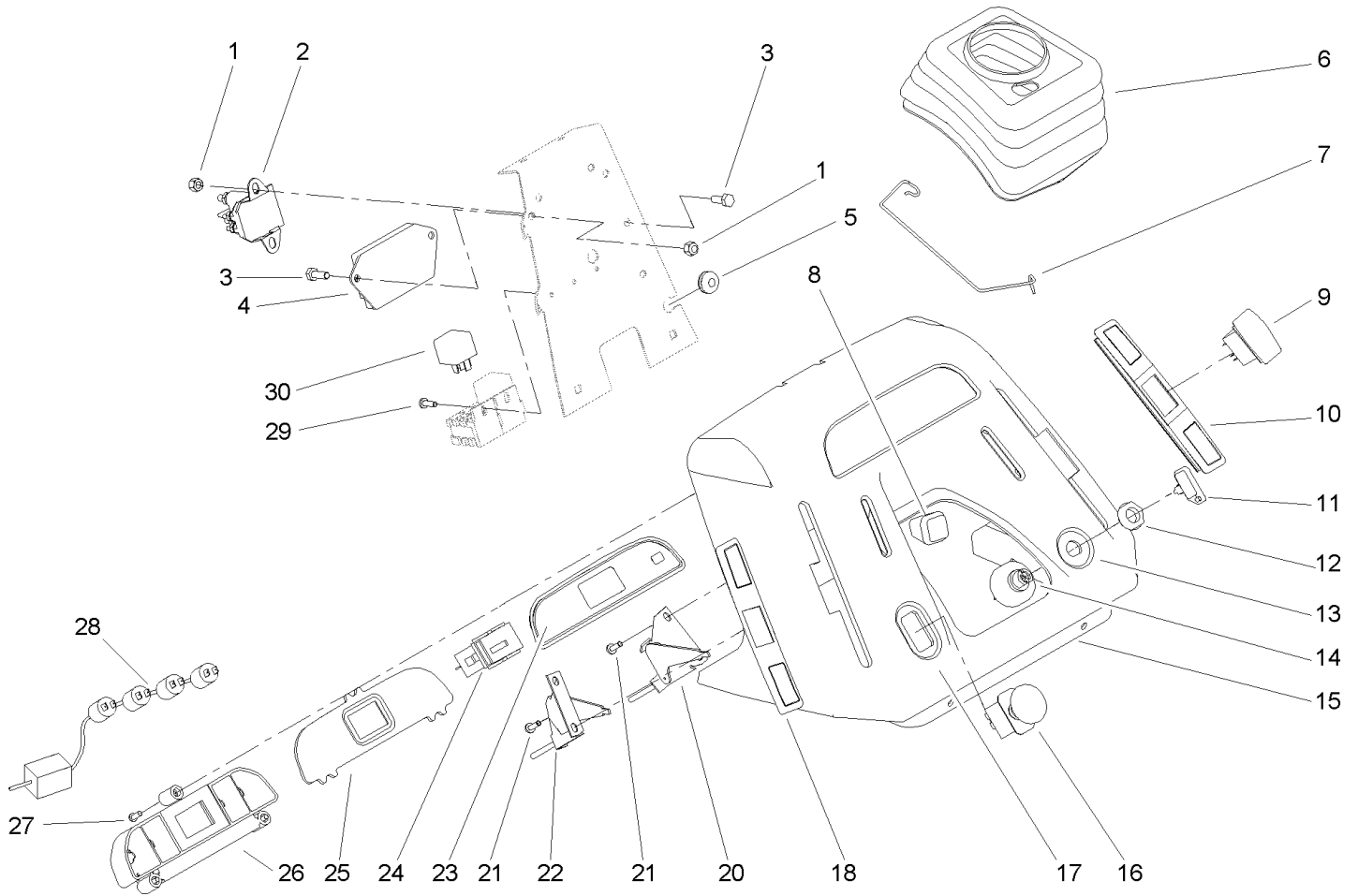
Ref	Part No.	Qty.	Description
28	323-4	4	Screw-HH
29	3296-39	4	Nut-Lock, NI
30	106288	2	Clamp
31	3230-1	4	Bolt-CARR



Seat Assembly

Ref	Part No.	Qty.	Description
1	104-2463	1	Seat
2	100-3524	1	Switch-Seat
3	322-5	4	Screw-HH
4	92-6750	2	Spacer-Nylon
5	104-5028	1	Support Seat ASM
5:2	99-2986	1	Decal-Danger
5:3	99-5340	1	Decal-Switch
7	92-7054	2	Spring-Compression
8	92-6986	2	Bolt-Shoulder
9	32128-25	2	Nut-HF
10	701178	2	Cap-Protector
11	3290-282	4	Rivet-Pop
12	106557	2	Reflector-Stick On
13	3256-49	4	Washer-Flat
14	3296-29	6	Nut-Lock, NI
15	79-0950-03	1	Bracket-Pivot, RH
16	3230-31	4	Screw-CARR
17	105503	2	Bushing
18	79-0970-03	1	Bracket-Pivot, LH
19	700806	2	Knob
20	94-2869	2	Washer
21	109989	2	Spacer-Nylon
22	46-5780	1	Switch-Starter
22:1	3254-5	1	Washer-Tooth

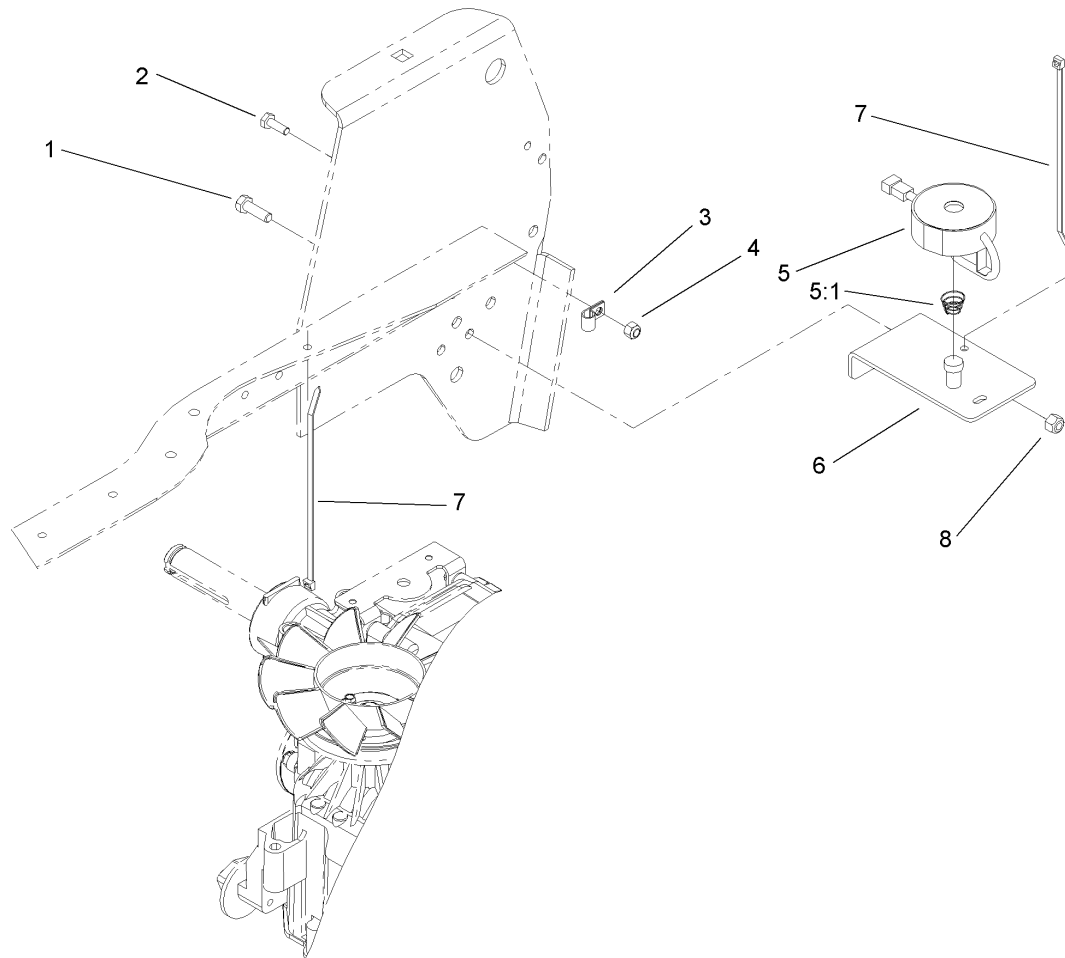
Ref	Part No.	Qty.	Description
22:2	218-461	1	Nut-HH
25	62-7770	1	Key-Ignition
26	104-2488	1	Foam-Switch, Seat



Dash Assembly

Ref	Part No.	Qty.	Description
1	3296-42	4	Nut-Lock, NI
2	106-8245	1	Solenoid
3	321-4	4	Screw-HH
4	106-8225	1	Module-Nmir, Low Battery
5	237-141	1	Grommet-Rubber
6	92-6680	1	Boot-Steering
7	94-2966	1	Clip-Boot
8	66-0120	2	Knob
9	93-0527	1	Switch-Cruise
10	93-0533	1	Cover-Slot, RH
11	62-7770	1	Key-Ignition
12	700919	1	Nut
13	93-7255	1	Decal-Dash
14	92-6785	1	Switch-Ignition
15	94-1894	1	Dash
16	93-9998	1	Switch-PTO
17	93-7256	1	Decal-Dash, PTO/Choke
18	92-6797	1	Cover-Slot, LH
20	92-6784	1	Control-Throttle, Twin
21	32144-32	4	Screw
22	106-9872	1	Choke Control ASM
23	99-8036	1	Decal-Lens, Dash
24	94-4208	1	Hourmeter
25	92-6705	1	Lens-Dash

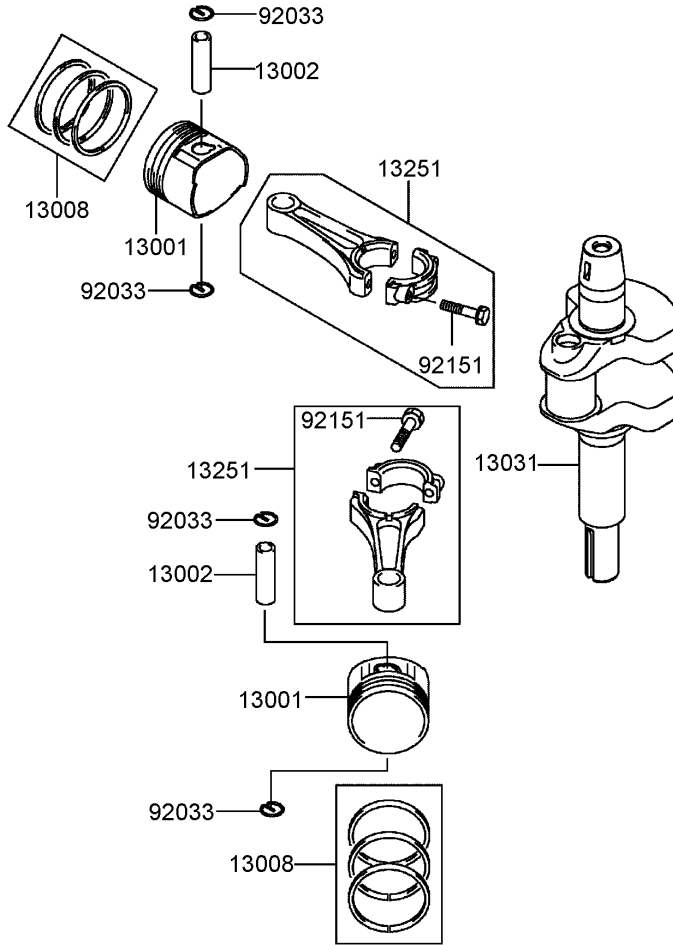
Ref	Part No.	Qty.	Description
26	92-6732	1	Housing-Light, Indicator
27	94-6961	3	Screw
28	99-8068	1	Harness-4 Lamp
29	32144-8	2	Screw-HH
30	98-7249	3	Relay



Cruise Control Assembly

Ref	Part No.	Qty.	Description
1	322-5	2	Screw-HH
2	321-4	1	Screw-HH
3	2412-89	1	Clamp
4	3296-42	1	Nut-Lock, NI
5	107-9250	1	Magnet ASM
5:1	93-6601	1	Spring-Compression
6	106-5616-03	1	Bracket-Cruise
7	614249	2	Strap-Tie
8	3296-29	2	Nut-Lock, NI

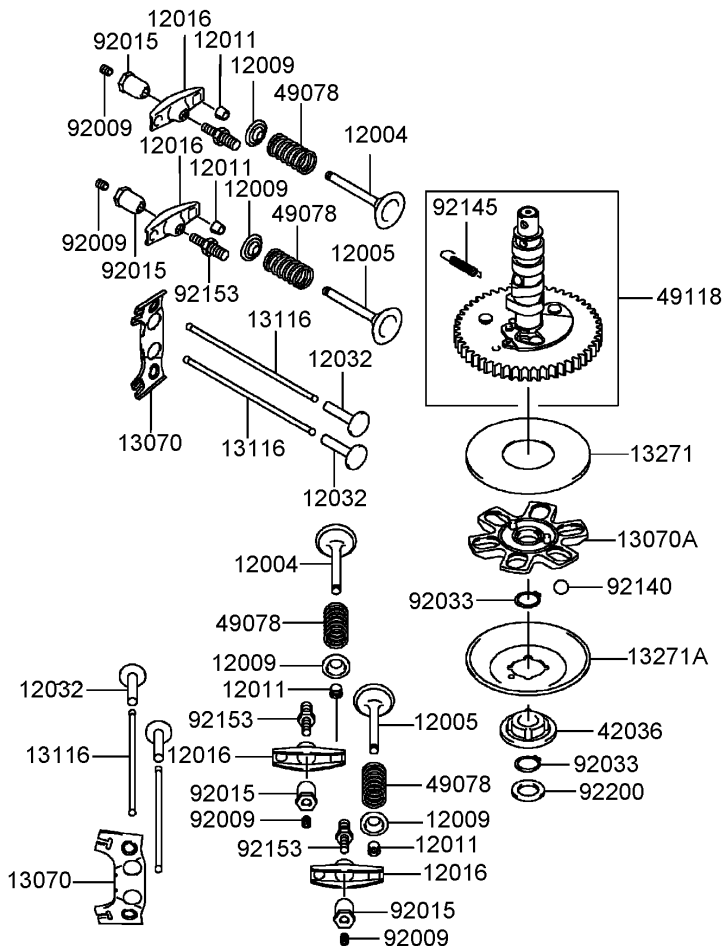
--	--	--	--



Piston and Crankshaft Assembly Kawasaki FH541V-DS04

Ref	Part No.	Qty.	Description
③ 13001	13001-7010	2	Piston-Engine
③ 13002	13002-7001	2	Pin-Piston
③ 13008	13008-6060	2	Ring Set-Piston
③ 13031	13031-7040	1	Crankshaft
③ 13251	13251-7010	2	Connecting Rod ASM
③ 92033	92033-7005	4	Ring-Snap
③ 92151	92151-7017	4	Bolt (6X35)

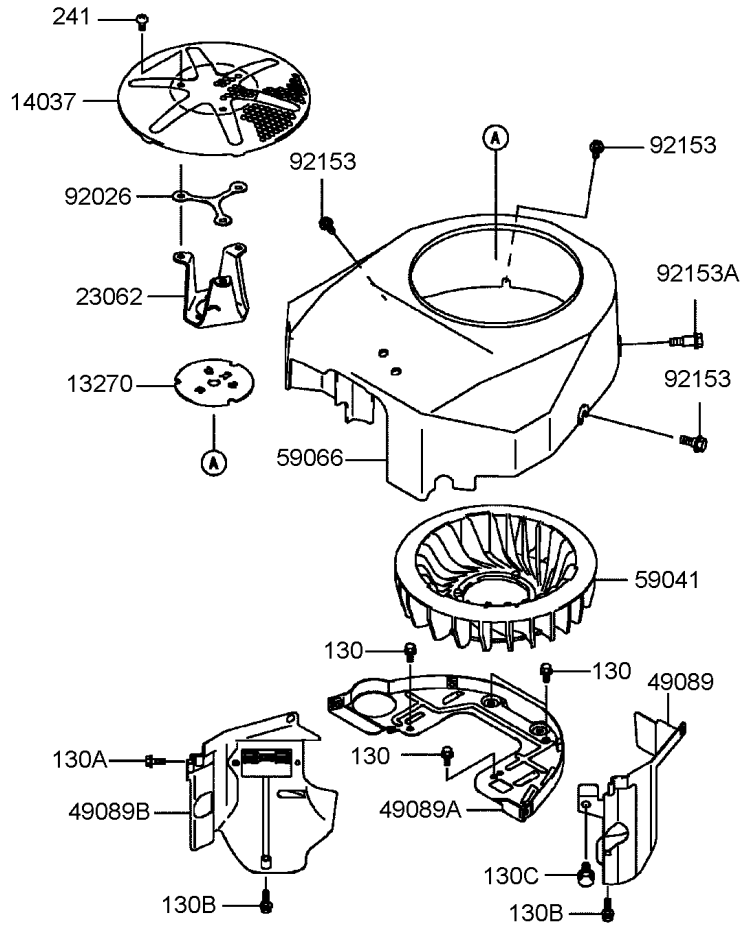
--	--	--	--



Valve and Camshaft Assembly Kawasaki FH541V-DS04

Ref	Part No.	Qty.	Description
⑤ 12004	12004-7003	2	Valve-Intake
⑤ 12005	12005-7003	2	Valve-Exhaust
⑤ 12009	12009-7001	4	Retainer-Spring, Valve
⑤ 12011	12011-2056	8	Collet
⑤ 12016	12016-7001	4	Arm-Rocker
⑤ 12032	12032-7001	4	Tappet
⑤ 13070	13070-7001	2	Guide
⑤ 13070A	13070-7004	1	Guide
⑤ 13116	13116-2057	4	Rod-Push
⑤ 13271	13271-7007	1	Plate
⑤ 13271A	13271-7021	1	Plate-Governor
⑤ 42036	42036-7010	1	Sleeve
⑤ 49078	49078-7001	4	Spring-Valve, Engine
⑤ 49118	49118-7004	1	Camshaft
⑤ 92009	92009-2341	4	Screw
⑤ 92015	92015-2253	4	Nut
⑤ 92033	92033-7001	2	Ring-Snap
⑤ 92140	92140-7002	6	Ball
⑤ 92145	92145-7001	1	Spring
⑤ 92153	92153-7019	4	Bolt
⑤ 92200	92200-7001	1	Washer

--	--	--	--

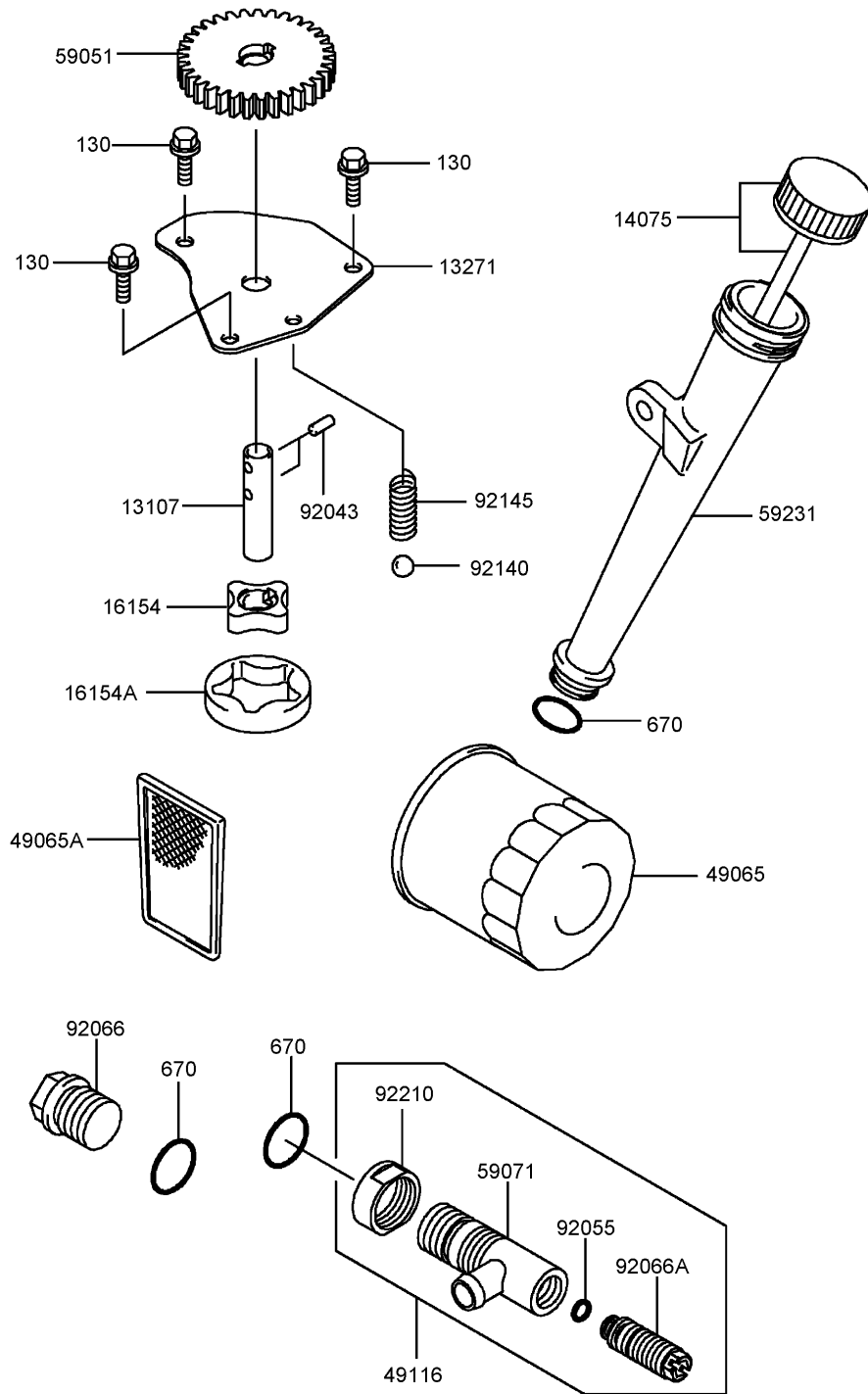


Cooling Equipment Assembly Kawasaki FH541V-DS04

Ref	Part No.	Qty.	Description
③13270	13270-7007	1	Plate
③14037	14037-7020	1	Screen
③23062	23062-7010	1	Bracket
③49089	49089-7002	1	Shroud-Engine
③49089A	49089-7032	1	Shroud-Engine
③49089B	49089-7034	1	Shroud-Engine
③59041	59041-7010	1	Fan
③59066	59066-7011	1	Housing-Fan
③92026	92026-7007	1	Spacer
③92153	92153-7007	3	Bolt
③92153A	92153-7008	1	Bolt
③130	130B0612	4	Bolt-Flanged
③130A	130B0616	2	Bolt-Flanged
③130B	130B0625	2	Bolt-Flanged
③130C	130B0816	1	Bolt-Flanged
③241	241B0612	3	Screw-Pan

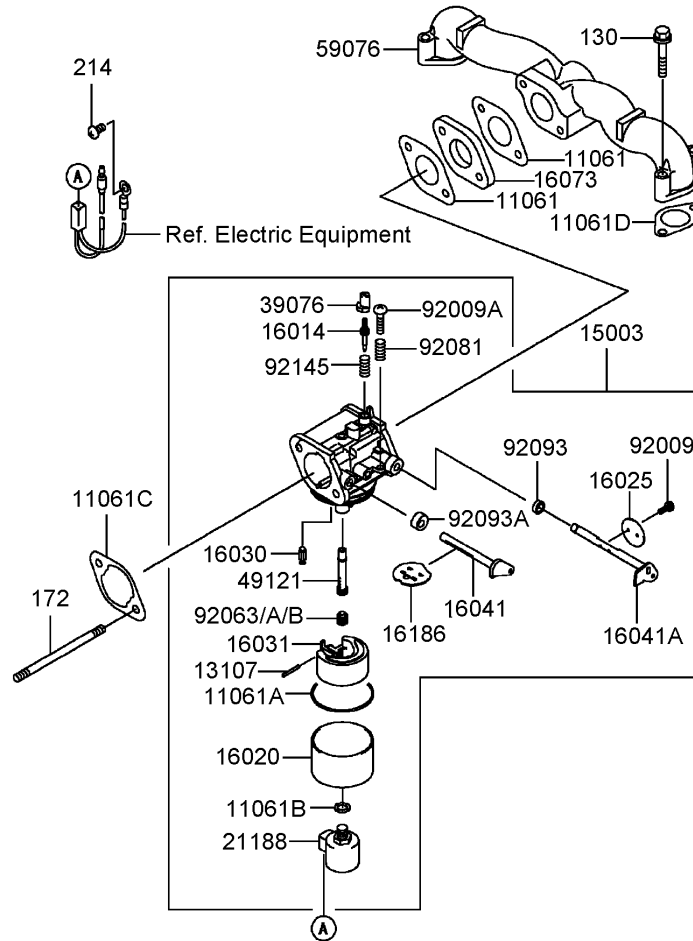
--	--	--	--

Lubrication Equipment Assembly Kawasaki FH541V-DS04



Lubrication Equipment Assembly Kawasaki FH541V-DS04

Ref	Part No.	Qty.	Description				
③13107	13107-7009	1	Shaft				
③13271	13271-7017	1	Plate				
③14075	14075-7009	1	Cap ASM				
③16154	16154-2053	1	Rotor-Pump (In)				
③16154A	16154-2054	1	Rotor-Pump (Out)				
③49065	49065-2078	1	Filter-Oil				
③49065A	49065-7004	1	Filter-Oil				
③49116	49116-7001	1	Valve ASM				
③59051	59051-7011	1	Gear-Spur				
③59071	59071-7008	1	Joint				
③59231	59231-7005	1	Filler				
③92043	92043-7003	2	Pin				
③92055	92055-7002	1	O-Ring (6Mm)				
③92066	92066-7003	1	Plug				
③92066A	92066-7007	1	Plug				
③92140	92140-7003	1	Ball				
③92145	92145-7002	1	Spring				
③92210	92210-7012	1	Nut				
③130	130B0612	3	Bolt-Flanged				
③670	670D2016	3	O-Ring (16Mm)				

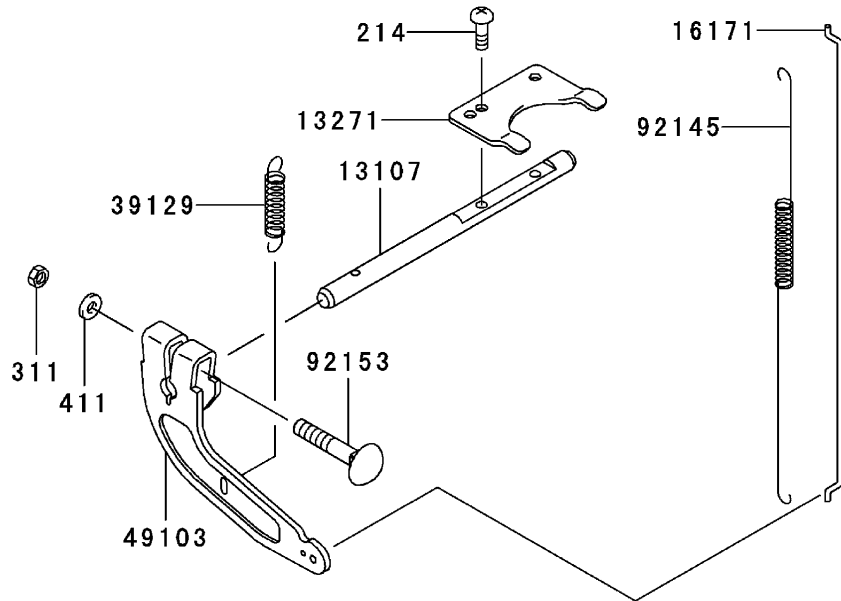
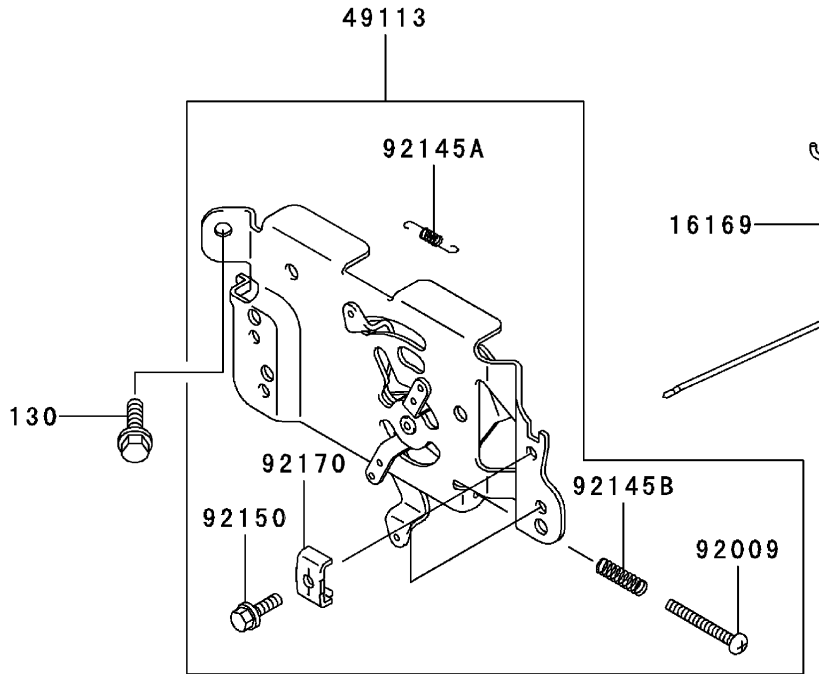


Carburetor Assembly Kawasaki FH541V-DS04

Ref	Part No.	Qty.	Description
③ 11061	11061-7004	2	Gasket-Insulator
③ 11061A	11061-7009	1	Gasket-Chamber
③ 11061B	11061-7010	1	Gasket-Screw
③ 11061C	11061-7018	1	Gasket-Cleaner, Air
③ 11061D	11061-7019	2	Gasket
③ 13107	13107-7018	1	Shaft
③ 15003	15003-7086	1	Carburetor ASM
③ 16014	16014-7007	1	Screw-Air, Pilot
③ 16020	16020-7003	1	Chamber-Float
③ 16025	16025-7006	1	Valve-Throttle
③ 16030	16030-7003	1	Valve-Float
③ 16031	16031-7002	1	Float
③ 16041	16041-7016	1	Shaft-Choke, Carburetor
③ 16041A	16041-7018	1	Shaft-Throttle, Carburetor
③ 16073	16073-7007	1	Insulator
③ 16186	16186-7004	1	Choke Valve ASM
③ 21188	21188-7002	1	Solenoid
③ 39076	39076-7001	1	Limiter
③ 49121	49121-7007	1	Nozzle-Main
③ 59076	59076-7001	1	Manifold-Intake
③ 92009	92009-2083	2	Screw
③ 92009A	92009-2349	1	Screw
③ 92063	92063-7046	1	Jet-Main (No. 100)
③ 92063A	92063-7047	1	Jet-Main (No. 098, 3280Ft)

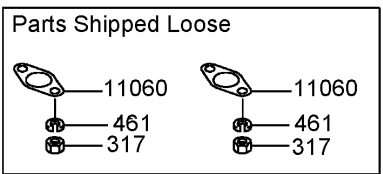
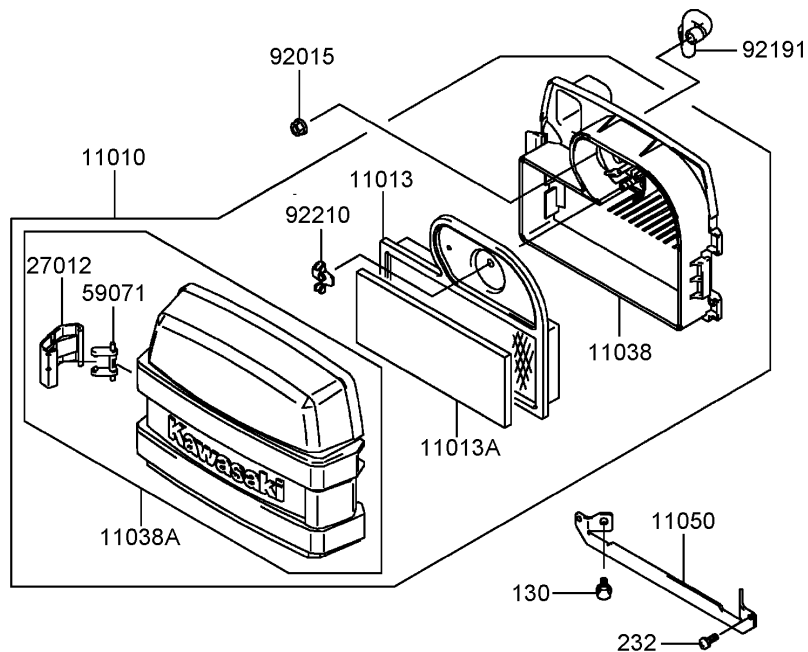
Ref	Part No.	Qty.	Description
③ 92063B	92063-7063	1	Jet-Main (No. 096, 6560Ft)
③ 92081	92081-2234	1	Spring
③ 92093	92093-2100	1	Seal
③ 92093A	92093-7003	1	Seal
③ 92145	92145-7015	1	Spring
③ 130	130B0635	4	Bolt-Flanged
③ 172	172G0685	2	Bolt-Stud
③ 214	214B0510	1	Screw-Pan

Control Equipment Assembly Kawasaki FH541V-DS04



Control Equipment Assembly Kawasaki FH541V-DS04

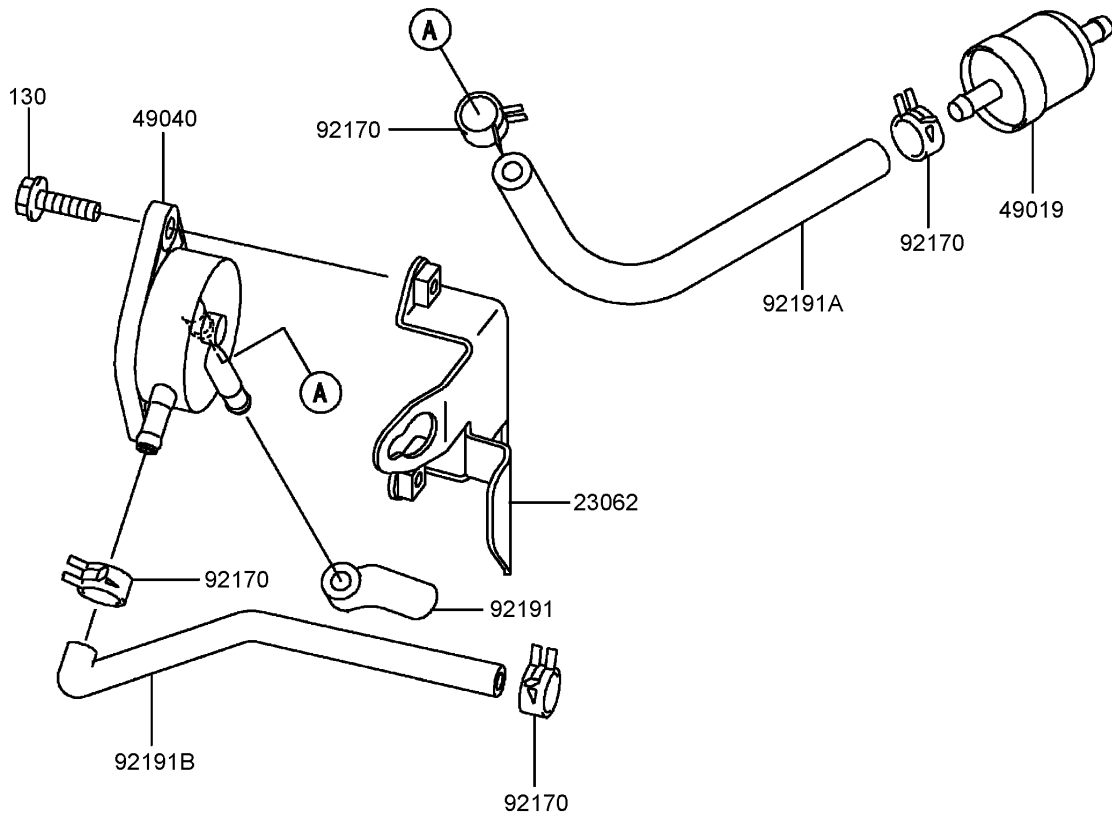
Ref	Part No.	Qty.	Description				
③13107	13107-7010	1	Shaft				
③13271	13271-7018	1	Plate				
③16169	16169-7010	1	Link-Choke				
③16171	16171-7001	1	Link				
③39129	39129-7003	1	Spring-Governor				
③49103	49103-7004	1	Arm-Governor				
③49113	49113-7011	1	Panel-Control				
③92009	92009-7007	1	Screw (4X35)				
③92145	92145-7003	1	Spring				
③92145A	92145-7004	1	Spring				
③92145B	92145-7005	1	Spring				
③92150	92150-2182	2	Bolt (5X18)				
③92153	92153-7033	1	Bolt (6X35)				
③92170	92170-7001	2	Clamp				
③130	130B0612	2	Bolt-Flanged				
③214	214B0408	2	Screw-Pan				
③311	311B0600	1	Nut-Hex				
③411	411b0600	1	Washer-Plain				



Air Filter and Muffler Assembly Kawasaki FH541V-DS04

Ref	Part No.	Qty.	Description
①	11010	1	Air Filter ASM
②	11013	1	Element-Filter, Air
③	11013A	1	Element-Filter, Air
④	11038	1	Air Filter Case ASM
⑤	11038A	1	Air Filter Case ASM
⑥	11050	1	Bracket
⑦	11060	2	Gasket-Muffler
⑧	27012	2	Hook
⑨	59071	2	Joint
⑩	92015	2	Nut
⑪	92191	1	Tube
⑫	92210	1	Nut
⑬	130	2	Bolt-Flanged
⑭	232	2	Screw-Pan
⑮	317	4	Nut-Hex
⑯	461	4	Washer-Spring

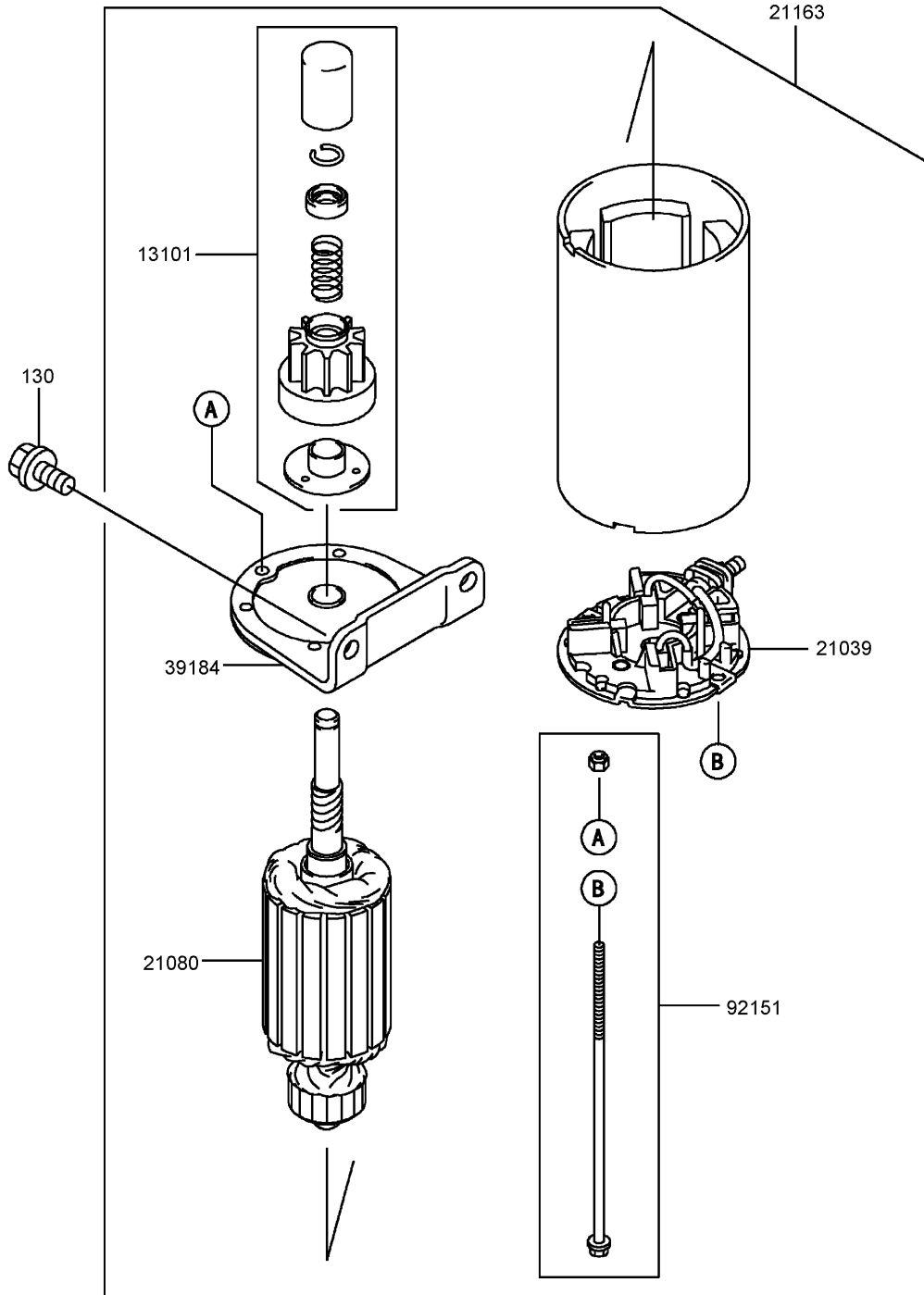
--	--	--	--



Fuel Tank and Valve Assembly Kawasaki FH541V-DS04

Ref	Part No.	Qty.	Description
② 23062	23062-7004-9H	1	Bracket
② 49019	49019-7001	1	Filter-Fuel
② 49040	49040-7001	1	Pump-Fuel
② 92170	92170-2088	4	Clamp
② 92191	92191-7002	1	Tube
② 92191A	92191-7003	1	Tube (6.35X12.7X160)
② 92191B	92191-7004	1	Tube
② 130	130B0620	2	Bolt-Flanged

Starter Assembly Kawasaki FH541V-DS04



Starter Assembly Kawasaki FH541V-DS04

Ref	Part No.	Qty.	Description				
⑤ 13101	13101-7003	1	Gear ASM				
⑤ 21039	21039-7004	1	Brush				
⑤ 21080	21080-7001	1	Armature				
⑤ 21163	21163-7010	1	Starter-Electric				
⑤ 39184	39184-7004	1	Bracket ASM				
⑤ 92151	92151-7013	1	Bolt				
⑤ 130	130B0816	2	Bolt-Flanged				

NOTES

