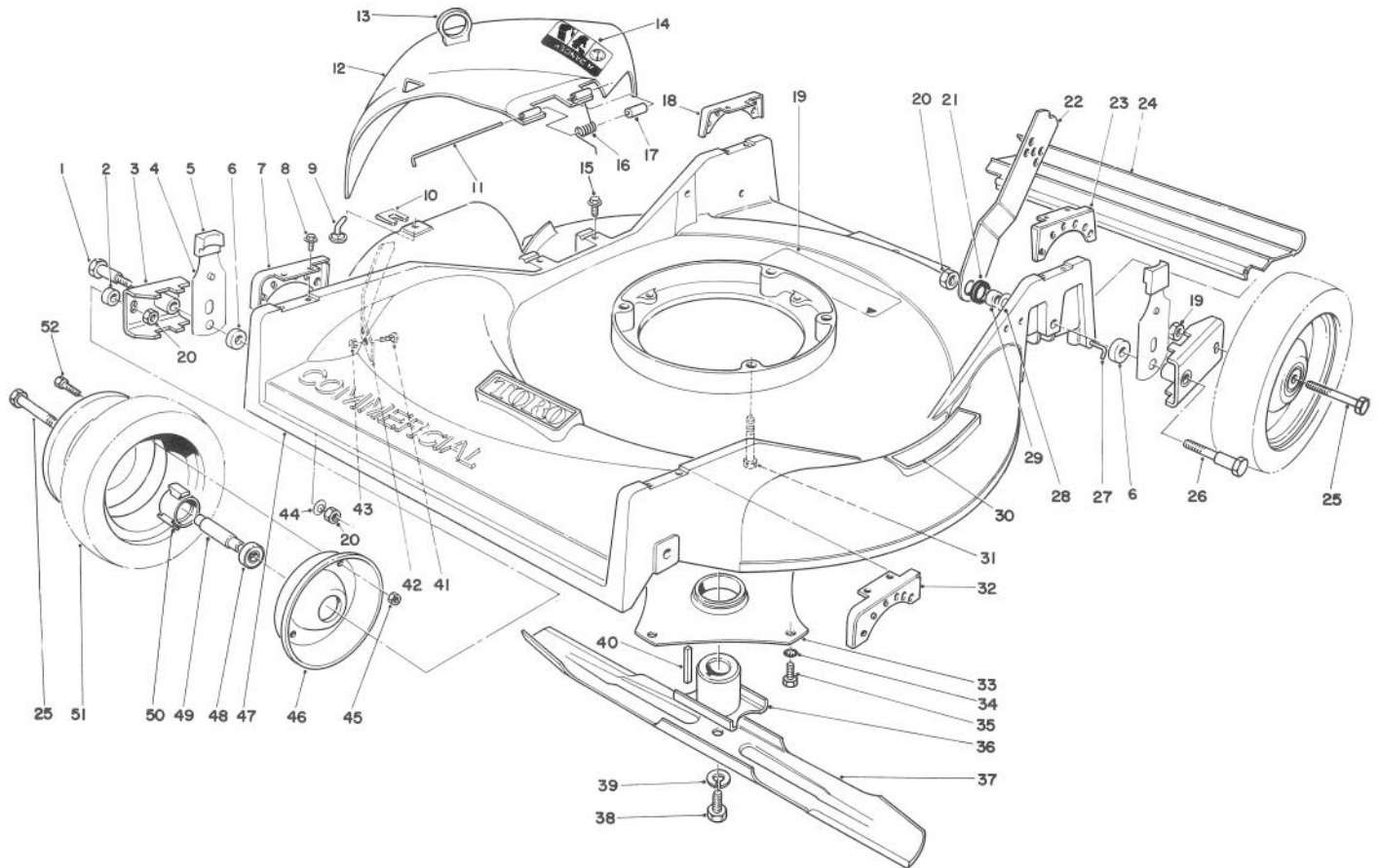


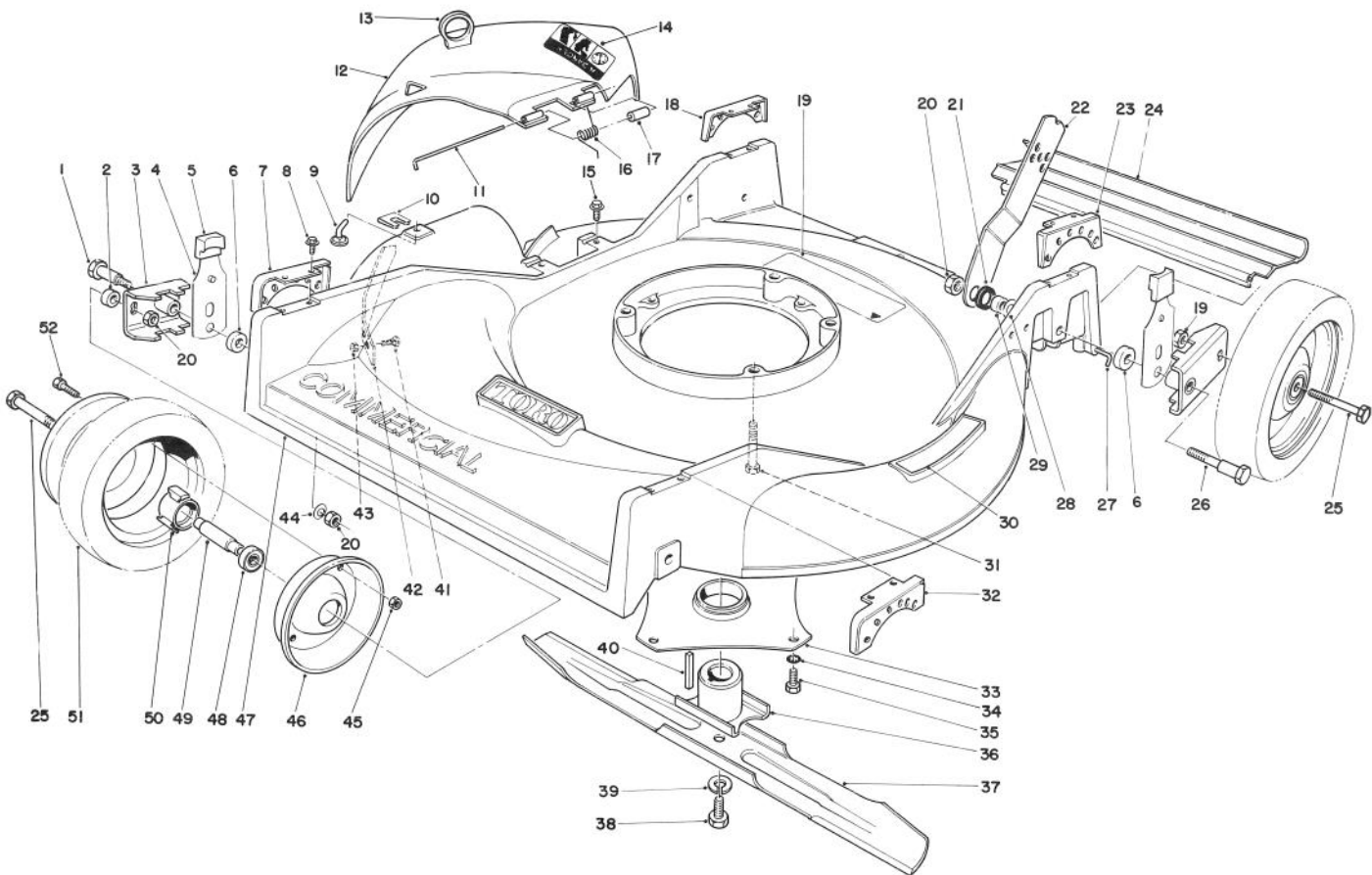
TORO[®]

MODEL NO. 22025C-7900001 & UP

**PARTS
CATALOG****21" COMMERCIAL SIDE DISCHARGE H.P. 2-CYCLE****HOUSING ASSEMBLY**

Ref. No.	Part No.	Description	No. Used
1	49-9180	Screw — Pivot	2
2	52-2480	Spacer — Wheel	4
3	49-9160	Pivot Arm Assembly	4
4	49-8800	Spring Arm Assembly	4
5	25-7740	Knob — Arm	4
6	53-7930	Spacer — Pivot Arm	4
7	52-2510	Quadrant — Front R.H.	1
8	49-2040	Screw — Thread Forming	8
9	28-3260	Pin — Chute	1
10	28-3250	Clip — Pin	1
11	52-2570	Pin — Deflector Hinge	1
12	12-6629	Deflector (Incl. Ref. #14)	1
13	28-1430	Loop — Lift	1
14	62-3860	Decal — Danger	1

Ref. No.	Part No.	Description	No. Used
15	46-6811	Screw/Washer Assembly	2
16	52-2560	Spring — Deflector	1
17	28-3270	Sleeve — Spring	1
18	52-2530	Quadrant — Rear R.H.	1
19	62-3870	Decal — Safety Instructions	1
20	3296-39	Nut — Lock	8
21	27-6510	Spacer — Handle Latch	2
22	27-7071	Latch — Handle	2
23	52-2540	Quadrant — Rear L.H.	1
24	52-2640	Shield — Rear Safety	1
25	323-12	Screw — Cap Hex Hd.	7
26	52-2260	Screw — Pivot Rear	2
27	33-3201	Rod — Shield	1
28	3290-340	Washer — Belleville	2

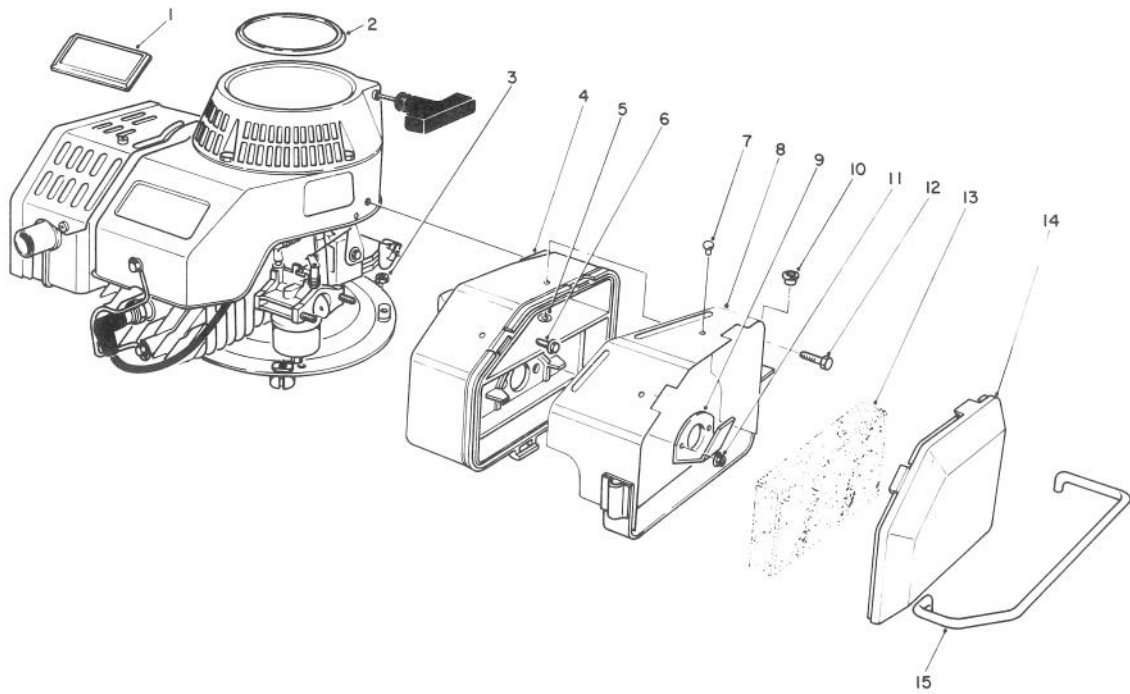


HOUSING ASSEMBLY (Continued)

Ref. No.	Part No.	Description	No. Used
29	52-2360	Spacer — Handle Brace	2
30	62-3950	Decal — Step Pad	1
31	323-11	Screw — Cap Hex Hd.	1
32	52-2520	Quadrant — Front L.H.	1
33	52-2500	Crankshaft Protector	1
34	3254-6	Washer — Lock Internal Tooth	4
35	32144-70	Screw — Thread Forming	4
36	52-2170	Blade Retainer	1
37	8-5230	Blade — 21"	1
38	26-0671	Screw — Blade	1
39	3253-22	Washer — Lock	1
40	27-8590	Key — Square	1
41	3230-16	Carriage Bolt	2
42	52-2650	Bar — Safety	1

Ref. No.	Part No.	Description	No. Used
43	3296-29	Locknut	2
44	3290-455	Washer — Belleville	2
45	3296-56	Nut — Lock	16
46	53-7780	Plate — Wheel Half	8
47	12-6669	Housing (Incl. Ref. #19 & 30)	1
48	52-2450	Bearing — Wheel	8
49	52-2440	Spacer — Bearing	4
50	52-2410	Hub — Bearing Support	4
51	53-7740	Tire	4
52	3234-26	Screw — Cap Hex Hd.	16
*	53-7760	Hub Assembly (Incl. Ref. #43, 44, 46-48 & 50)	4
*	53-7720	Wheel & Tire Assembly (Incl. Ref. #45, 46 & 48-52)	4

*Not Illustrated

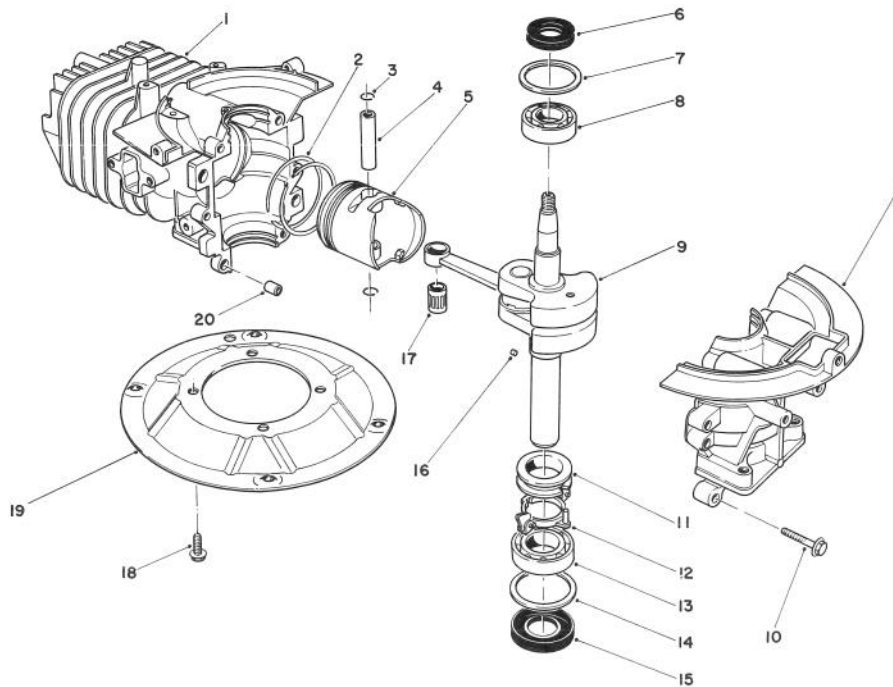


ENGINE ASSEMBLY

Ref. No.	Part No.	Description	No. Used
1	46-8291	Plate — Logo Toro	1
2	49-9030	Plate — Logo Engine	1
3	3218-3	Nut — Hex Jam	3
4	52-2200	Air Cleaner Assembly (Incl. Ref. #5, 7 & 8)	1
5	3269-6	Washer	2
6	51-3220	Capscrew — Hex Flange	1
7	3269-5	Rivet	2
8	52-2250	Air Cleaner Band	1

Ref. No.	Part No.	Description	No. Used
9	81-0140	Deflector — Spitback	1
10	237-127	Snap Bushing	1
11	49-7810	Locknut — Hex Flange	2
12	81-1280	Capscrew — Hex Flange	1
13	81-0100	Filter — Foam	1
14	81-0120	Cover — Air Cleaner	1
15	52-2240	Guard — Air Cleaner	1
*	61-8060	Complete Engine	1

*Not Illustrated

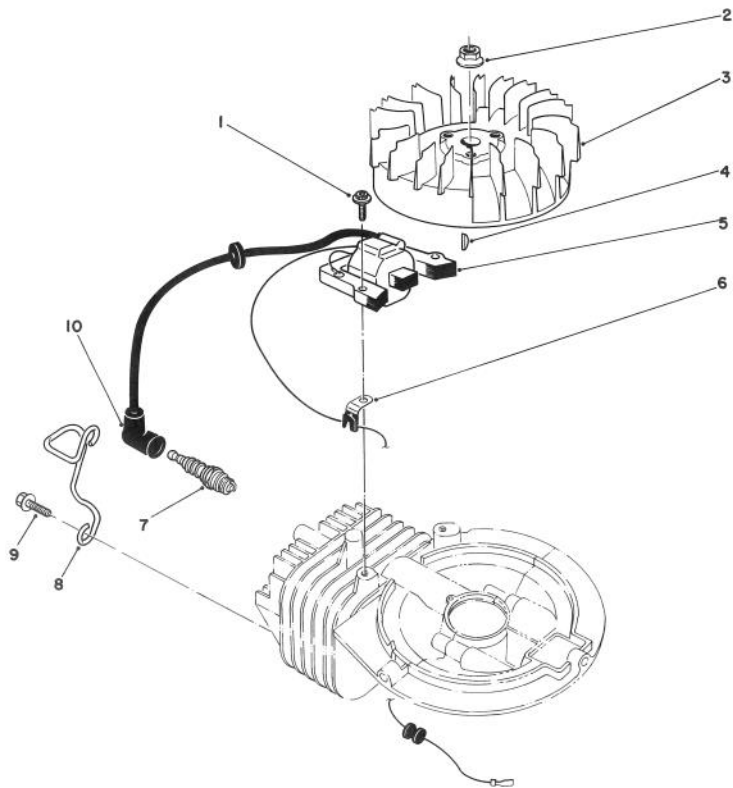


CRANKSHAFT ASSEMBLY (Model No. 47PG6)

Ref. No.	Part No.	Description	No. Used
1	81-2800	Crankcase/Cylinder Assy.	1
2	81-0590	Ring Set	1
3	81-0620	Circlip	2
4	81-0600	Wrist Pin	1
5	81-2140	Piston — 58 mm	1
6	81-0720	Oil Seal — Upper	1
7	81-0710	Thrust Washer — Upper	1
8	81-0690	Bearing — Upper 20 mm	1
9	81-4680	Crankshaft/Connecting Rod Assembly	1
10	81-0540	Bolt (30 mm Lg.)	6

Ref. No.	Part No.	Description	No. Used
11	81-0770	Collar — Governor	1
12	81-0750	Bracket — Governor Arm	1
13	81-0700	Bearing — Lower 25 mm	1
14	81-0730	Thrust Washer — Lower	1
15	81-0740	Oil Seal — Lower	1
16	81-0760	Pin	1
17	81-0610	Bearing — Wrist Pin	1
18	81-0570	Bolt	4
19	81-0560	Plate — Mounting	1
20	81-0520	Pin — Crankcase Dowel	2
*	12-5529	Short Block	1

*Not Illustrated

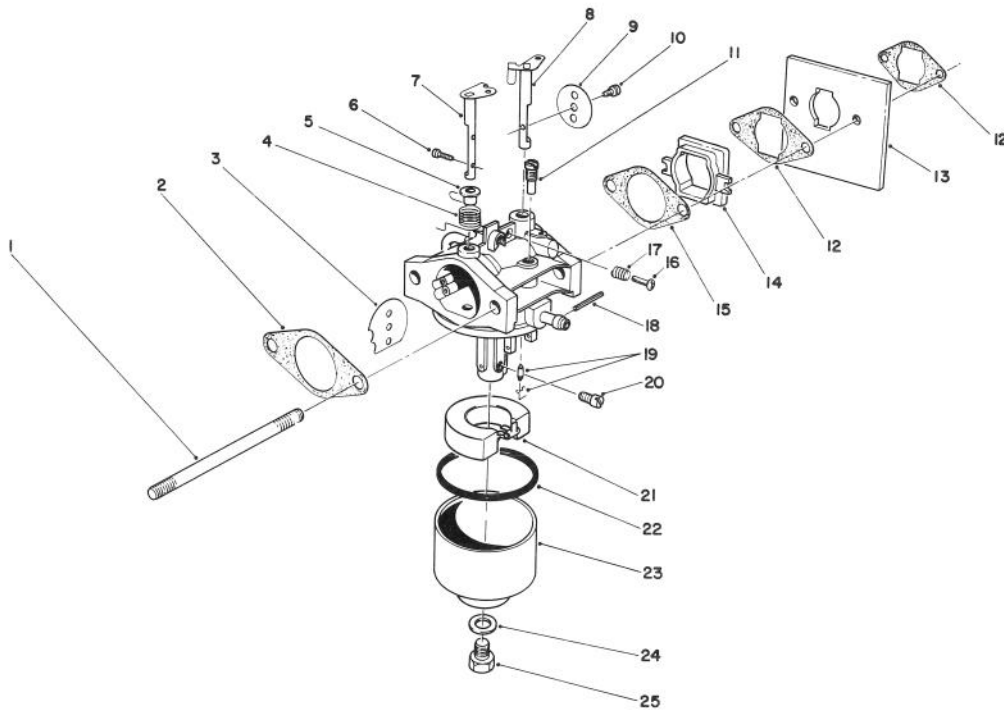


FLYWHEEL AND MAGNETO ASSEMBLY (Model No. 47PG6)

Ref. No.	Part No.	Description	No. Used
1	81-2050	Capscrew — Allenhead	2
2	81-1330	Nut	1
3	81-2810	Flywheel — Magneto	1
4	81-2370	Key — Flywheel	1
5	81-2820	Coil/Ignition Assembly	1
6	81-1480	Clamp	1

Ref. No.	Part No.	Description	No. Used
7	81-0181	Spark Plug	1
8	81-2120	Guard — Spark Plug	1
9	81-2350	Bolt — Self Tapping (20 mm Lg.)	2
10	81-1500	Cap Assembly — Spark Plug	1
*	41-7650	Puller — Flywheel	1

*Not Illustrated

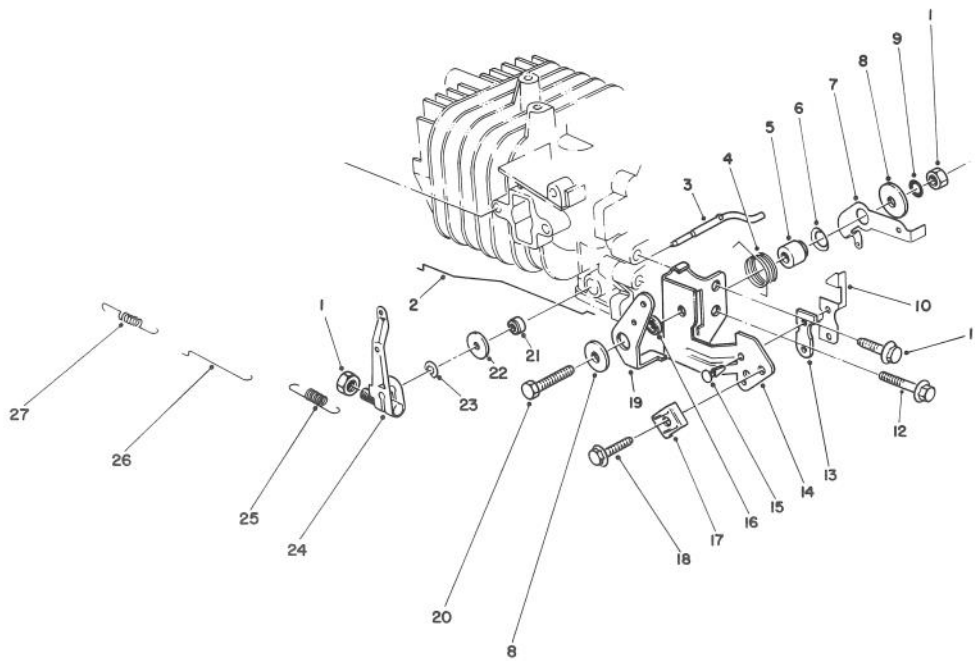


CARBURETOR ASSEMBLY (Model No. 47PG6)

Ref. No.	Part No.	Description	No. Used
1	81-2240	Stud Bolt — Carburetor	2
2	81-0090	Gasket	1
3	81-4950	Valve — Choke	1
4	81-0230	Spring — Choke	1
5	81-0220	Bushing — Choke	1
6	81-2160	Screw — Choke Plate	2
7	81-1950	Shaft — Choke	1
8	81-0250	Shaft — Throttle	1
9	81-0260	Valve — Throttle	1
10	81-0270	Screw — Throttle	1
11	81-1030	Jet — Pilot (#40)	1
12	81-2320	Gasket — Shield	2
13	81-2330	Shield — Carburetor	1
14	81-2190	Insulator — Carburetor	1
15	81-0780	Gasket — Carburetor	1

Ref. No.	Part No.	Description	No. Used
16	50-0250	Screw — Idle Stop	1
17	81-2580	Spring — Idle Stop	1
18	81-0980	Pin — Float	1
19	81-4910	Needle Valve — Float	1
20	81-1940	Jet — Main (#76.3)	1
*	81-2340	Jet — Main (#72.5) High Alt. Above 6,000 Ft. (Optional)	A/R
21	81-0970	Float	1
22	81-1010	Gasket — Float Bowl	1
23	81-1610	Bowl — Float	1
24	81-1020	Gasket — Bowl Capscrew	1
25	81-1000	Capscrew — Bowl	1
*	12-6379	Carburetor Kit (Incl. Ref. #2, 15, 19, 22 & 24)	1
*	81-4900	Carburetor Assy. Complete	1

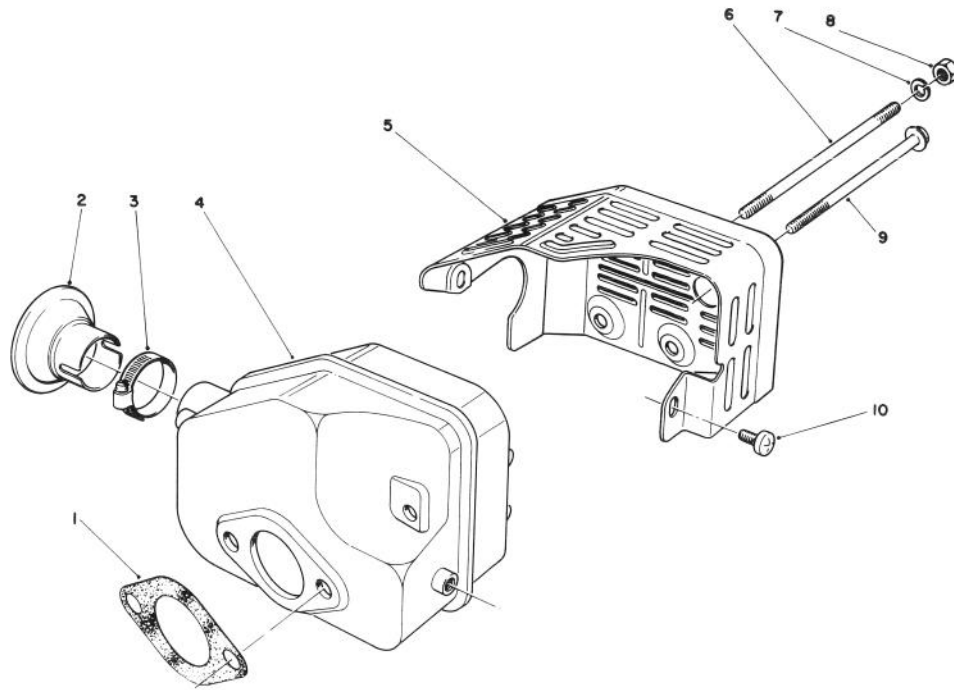
*Not Illustrated



GOVERNOR ASSEMBLY (Model No. 47PG6)

Ref. No.	Part No.	Description	No. Used
1	81-0900	Nut	2
2	81-1720	Rod — Choke	1
3	81-0840	Shaft — Governor	1
4	81-2460	Spring — Choke Control Lever	1
5	81-1770	Spacer — Governor Spring Lever	1
6	81-1820	Washer — Governor Spring Lever	1
7	81-2850	Lever — Governor Spring	1
8	81-1750	Washer — Governor Control Lever	2
9	81-1450	Washer — Lock	1
10	81-1840	Terminal — Kill Switch	1
11	81-1170	Bolt — Self Tapping (15 mm Lg.)	1
12	81-0540	Bolt	1

Ref. No.	Part No.	Description	No. Used
13	81-1830	Insulator — Kill Switch	1
14	81-2420	Bracket — Throttle Control	1
15	81-1850	Rivet — Kill Switch	2
16	81-2470	Spacer — Choke Control Lever	1
17	81-2430	Clamp — Cable	1
18	50-0130	Bolt — Cable Clamp	1
19	81-1710	Lever — Choke Control	1
20	81-1730	Bolt — Throttle Control Bracket	1
21	81-0850	Oil Seal — Governor Shaft	1
22	81-0860	Washer	1
23	81-0870	E-Ring	1
24	81-2840	Throttle Control Lever Assy.	1
25	81-2830	Spring — Governor	1
26	81-0910	Rod — Carburetor	1
27	81-0920	Spring — Carburetor Rod	1

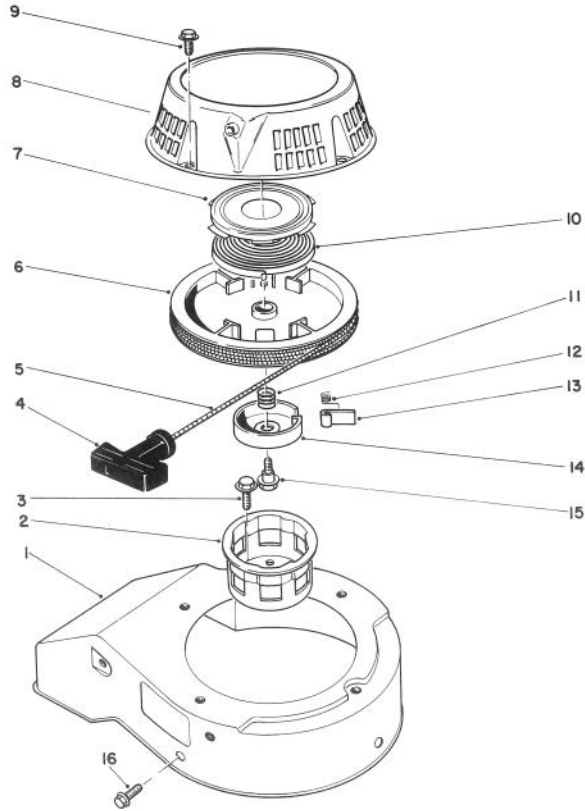


MUFFLER ASSEMBLY (Model No. 47PG6)

Ref. No.	Part No.	Description	No. Used
1	81-1080	Gasket — Muffler	1
2	81-0200	Spark Arrester (Optional)	1
3†		Clamp	1
4	81-1090	Muffler	1
5	81-2450	Cover — Muffler	1

Ref. No.	Part No.	Description	No. Used
6	81-1100	Stud — Muffler	2
7	81-1120	Lockwasher	2
8	81-1110	Nut	2
9	81-1150	Bolt — Self Tapping	1
10	81-1140	Screw — Phillips Hd.	2

† Obtain Locally

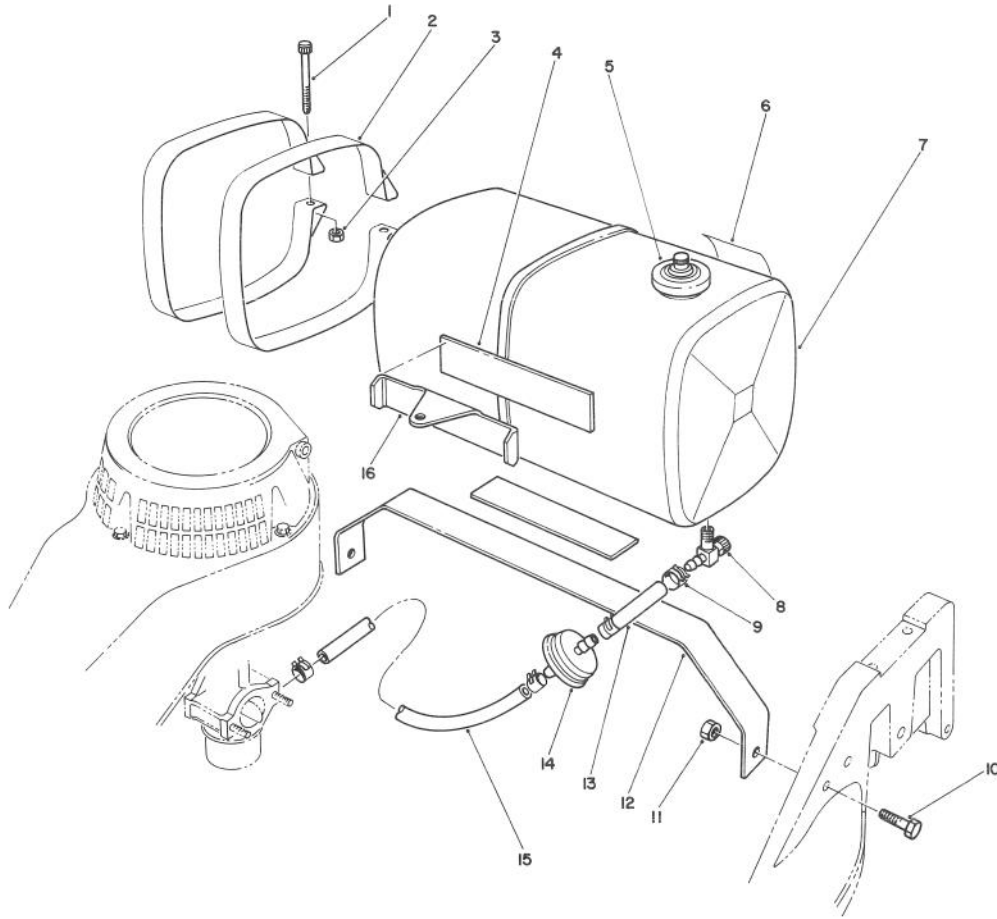


RECOIL ASSEMBLY (Model No. 47PG6)

Ref. No.	Part No.	Description	No. Used
1	81-2080	Cover — Cooling Fan	1
2	81-2170	Pulley — Starter Cup	1
3	81-1300	Bolt 16 mm Lg.	3
4	81-1630	Handle — Recoil	1
5	81-1270	Rope	1
6	81-1210	Pulley — Rope	1
7		Retainer — Recoil Spring	1
8	81-2100	Case — Starter	1
9	81-1280	Bolt	4
10		Spring — Recoil	1
11	81-1240	Spring — Compression	1

Ref. No.	Part No.	Description	No. Used
12	81-1220	Spring — Dog	1
13	81-1230	Dog — Starter	1
14	81-1250	Retainer — Dog	1
15	81-1260	Bolt Shoulder	1
16	81-1170	Bolt — Self Tapping (15 mm Lg.)	2
*	81-2030	Starter Assembly (Incl. Ref. #4-15)	1
*	81-2300	Recoil & Cup (Incl. Ref. #7 & 10)	1

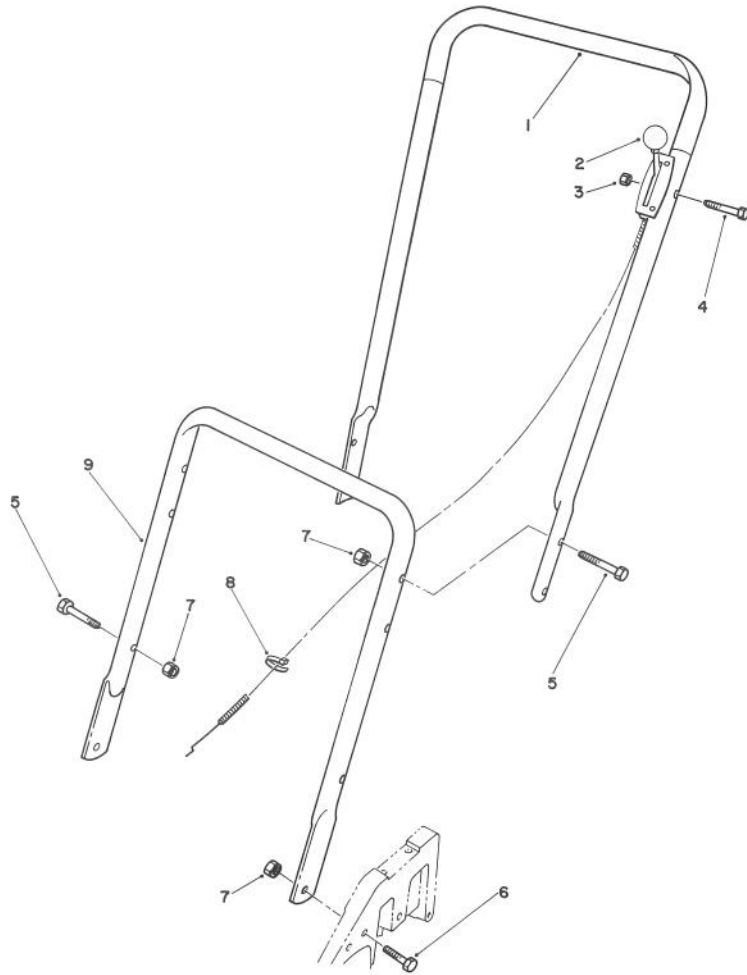
*Not Illustrated



GAS TANK ASSEMBLY

Ref. No.	Part No.	Description	No. Used
1	3274-62	Capscrew — Hex Socket	2
2	39-0570	Strap — Tank Mounting	2
3	3217-5	Hex Nut	2
4	52-2290	Pad — Isolator	2
5	55-4700	Cap — Gas	1
6	62-7600	Decal — Fuel Tank	1
7	52-2331	Tank — Gas (Incl. Ref. #5)	1
8	304-71	Valve — Fuel Shutoff	1

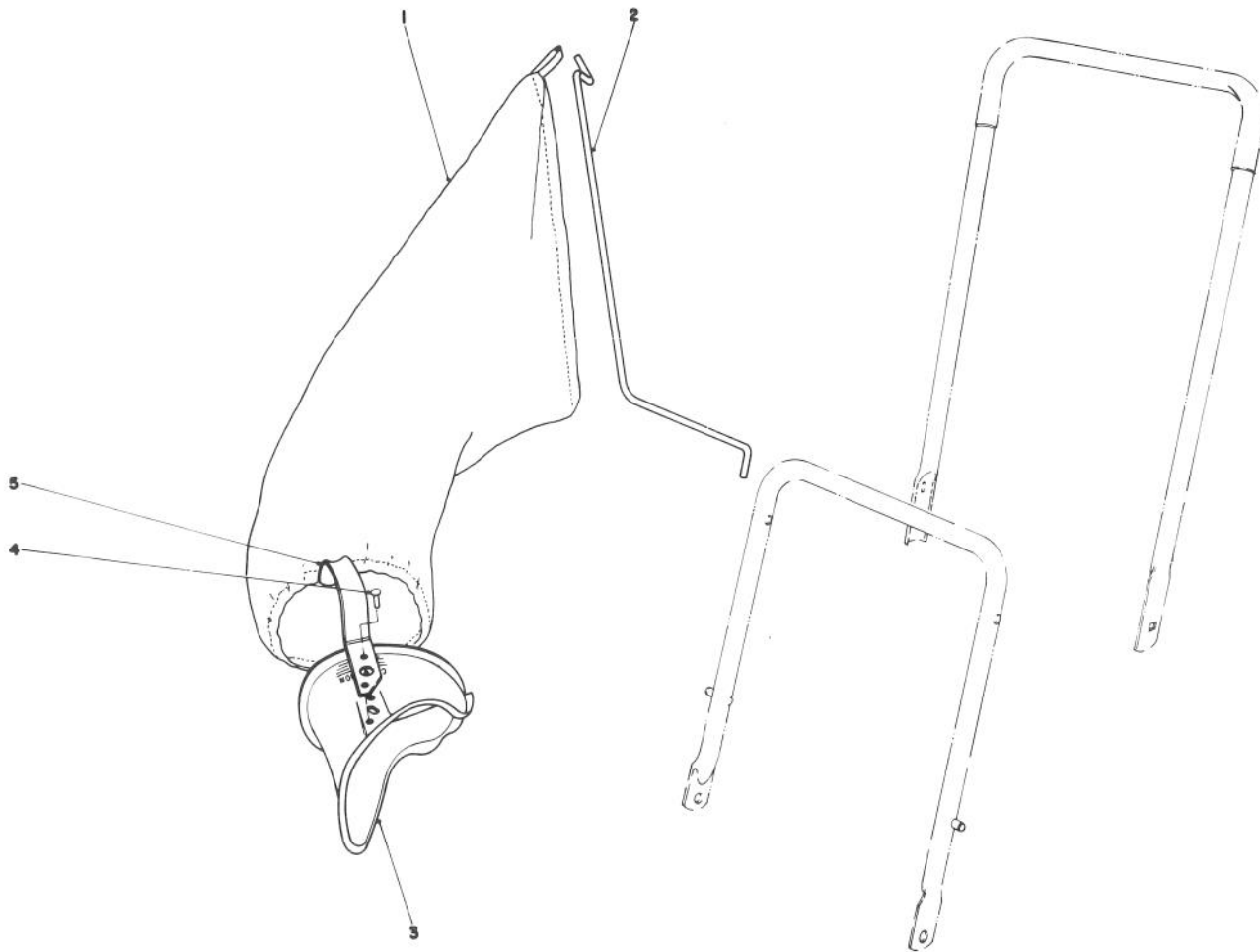
Ref. No.	Part No.	Description	No. Used
9	2412-95	Clamp — Fuel Line	4
10	322-6	Capscrew — Hex Hd.	2
11	3296-29	Locknut	2
12	52-2280	Mount — Tank Bottom	1
13	51-3211	Line — Fuel	1
14	56-6360	Filter — Fuel	1
15	51-3210	Line — Fuel	1
16	52-2270	Mount — Tank Front	1



HANDLE ASSEMBLY

Ref. No.	Part No.	Description	No. Used
1	52-2380	Handle — Upper	1
2	53-7835	Control — Throttle	1
3	3296-42	Nut — Lock	1
4	321-10	Screw — Cap Hex Hd.	1
5	322-7	Screw — Cap Hex Hd.	6

Ref. No.	Part No.	Description	No. Used
6	322-6	Screw — Cap Hex Hd.	2
7	3296-29	Nut — Lock	8
8	3290-378	Cable Tie	1
9	52-2370	Handle — Lower	1



GRASS BAGGING KIT NO. 38-0050 (Optional)

Ref. No.	Part No.	Description	No. Used
1	6-0929	Grass Bag	1
2	19-4210	Bag Rod	1
3	38-0010	Grass Chute Assembly (Incl. Ref. #4-5)	1

Ref. No.	Part No.	Description	No. Used
4	3295-26	Rivet — Semi Tubular	2
5	38-0030	Handle Bag Chute	1