



Mid-Size ProLine, T-Bar, Gear Drive 13 HP with 91cm Side Discharge Mower

Model No. 30314TE - 250000001 and up.

Parts Catalog

Ordering Replacement Parts

To order replacement parts, please supply the part number, the quantity, and the description of each part desired.

Understanding Reference Numbers

Each identified part in an illustration has a reference number. The reference number for a part also appears in the parts list, along with other information about the part.

This catalog uses two special reference number formats, one to indicate parts in a service assembly and another to indicate the quantity of a given part in an illustration.

Service Assembly Reference Numbers

Parts in service assemblies have reference numbers in the form a:b. The a represents the reference number of the entire service assembly and the b represents a sequential number unique to each part within the service assembly.

For example, a wheel assembly might be identified by reference number 6, the tire by 6:1, the valve by 6:2, and the wheel by 6:3. When you order the assembly identified by reference number 6, you receive all parts identified by reference numbers 6:1, 6:2, and 6:3. However, you may also order any part individually. Reference numbers of this type appear in illustrations and in part lists.

Reference Numbers Indicating Quantity

In an illustration, if a reference number indicates more than one part, the reference number has the form nX y. The n represents the quantity of the part, the X is the multiplication symbol, and the y represents the reference number.

For example, in an illustration, the reference number 2X 37 means that two of the parts identified by reference number 37 are indicated.

Contents

Description	Page	Description	Page
Engine and Clutch Assembly 3	Lubrication Equipment Assembly Kawasaki FH381V-AS27 19
Frame and Fuel Tank Assembly 4	Valve / Camshaft Assembly Kawasaki FH381V-AS27 20
Lower Control Assembly 5	Cooling Equipment Assembly Kawasaki FH381V-AS27 22
Transmission and Drive System Assembly 6	Electric Equipment Assembly Kawasaki FH381V-AS27 23
Wheel Drive and Brake Assembly 7	Control Equipment Assembly Kawasaki FH381V-AS27 24
Upper Handle Assembly 8	Carburetor Assembly Kawasaki FH381V-AS27 25
Upper Handle Assembly 9	Air-Filter / Muffler Assembly Kawasaki FH381V-AS27 26
Carrier Frame Assembly 10	Fuel Tank / Valve Assembly Kawasaki FH381V-AS27 27
Spindle, Pulley and Belt Assembly 11	Starter Assembly Kawasaki FH381V-AS27 28
Spindle Assembly No. 106-0788 12	Decals Kawasaki FH381V-AS27 29
Outer Spindle Assembly 106-0787 13	Attachments and Accessories List 30
Roller, Cover and Deflector Assembly 14		
Deflector Assembly No. 107-4194 15		
Idler Assembly 16		
Cylinder / Crankcase Assembly Kawasaki FH381V-AS27 17		
Piston / Crankshaft Assembly Kawasaki FH381V-AS27 18		

Part Description Abbreviations

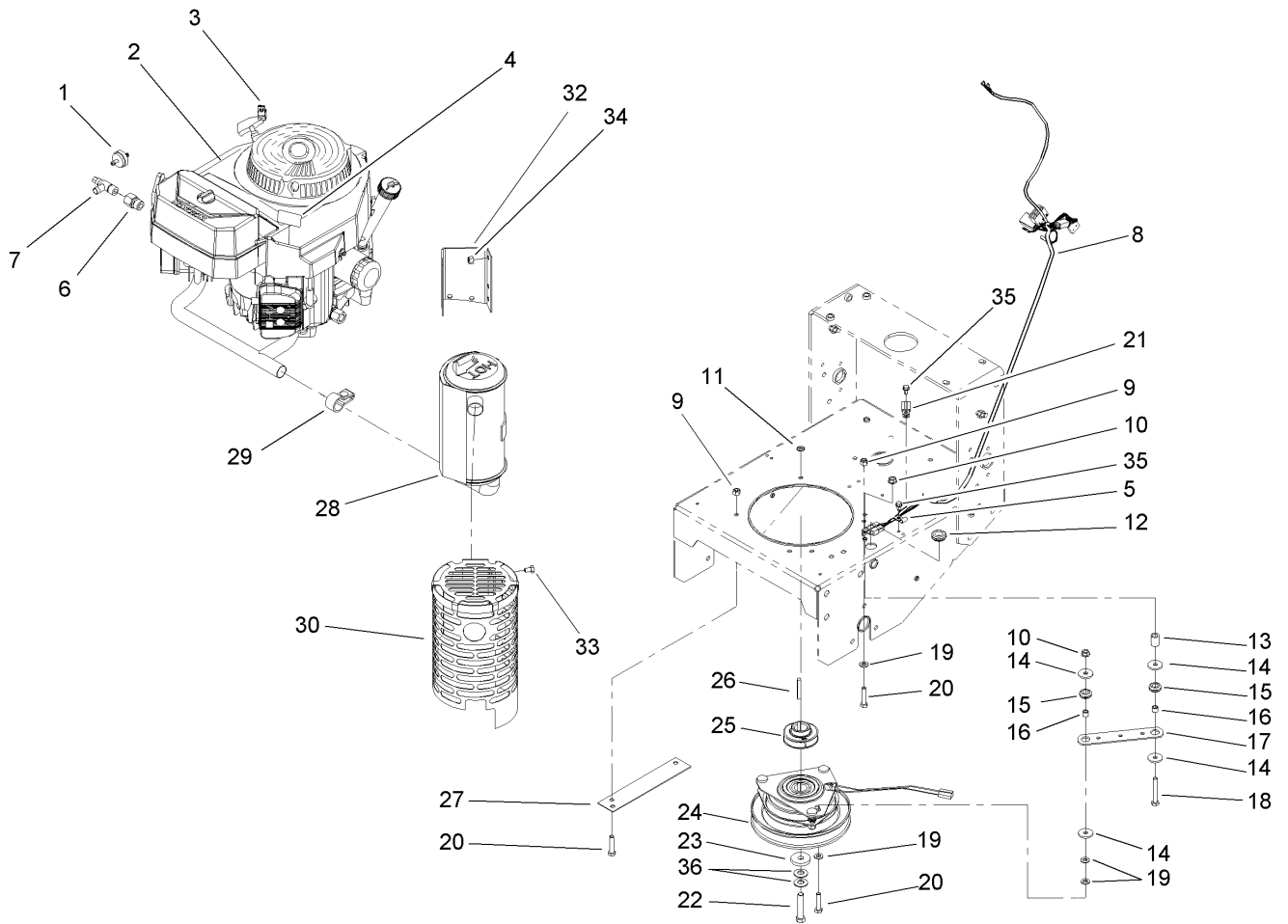
Part descriptions in this catalog may include the following abbreviations.

AR. as required	HWHTF. hex washer head thread forming
ASM. assembly	HYD. hydraulic
CARR. carriage	INC. incorporated
DEG. degrees	LH. left hand
EXT. external	NI. nylon insert
FH. flat head	NPTF. national pipe thread fine
GA. gauge	PPH. phillips pan head
HF. hex flange	PRH. phillips round head
HH. hex head	PTH. phillips truss head
HHF. hex head flange	PTO. power take off
HHFTF. hex head flange thread forming	RH. right hand
HJ. hex jam	ROPS. roll over protection system
HLH. hex lag head	SFH. slotted fillister head
HOC. height-of-cut	SHH. slotted hex head
HS. hex	SHWH. slotted hex washer head
HSBH. hex socket button head	SPH. slotted pan head
HSFH. hex socket flat head	SQH. square head
HSH. hex socket head	SRH. slotted round head
HWH. hex washer head	STD. standard

Footnotes

❶ Not illustrated

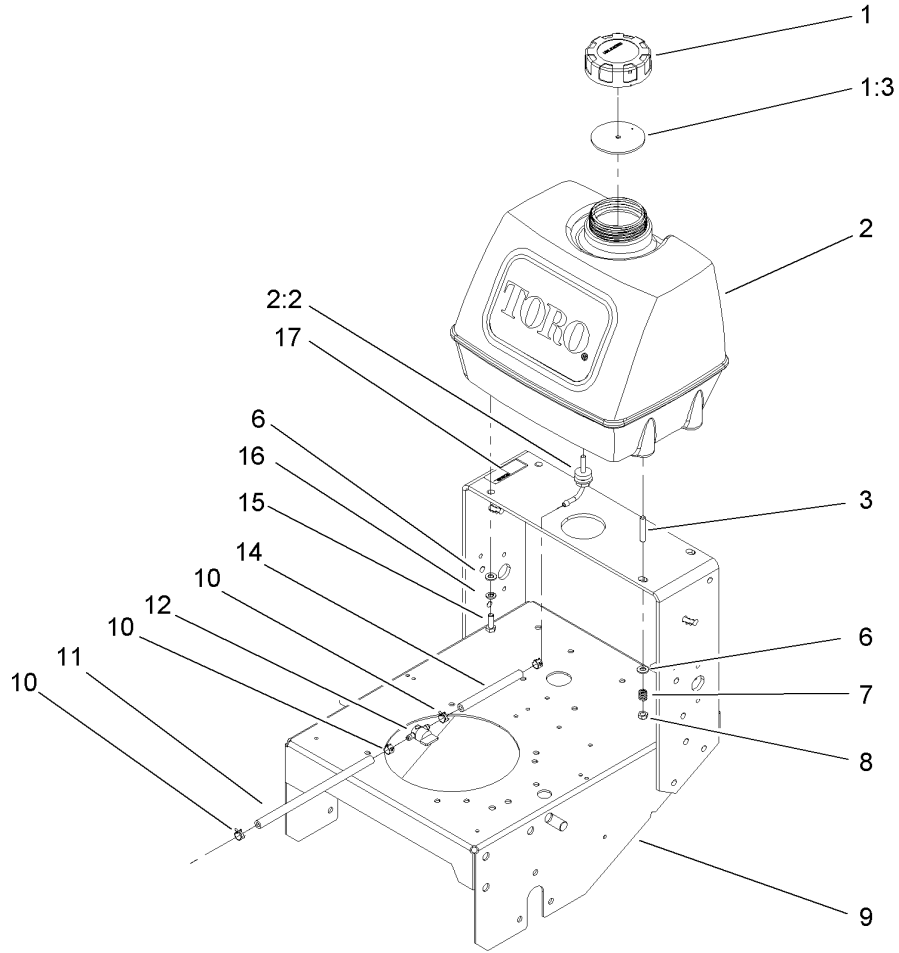
❷ Obtain parts from your local Kawasaki dealer



Engine and Clutch Assembly

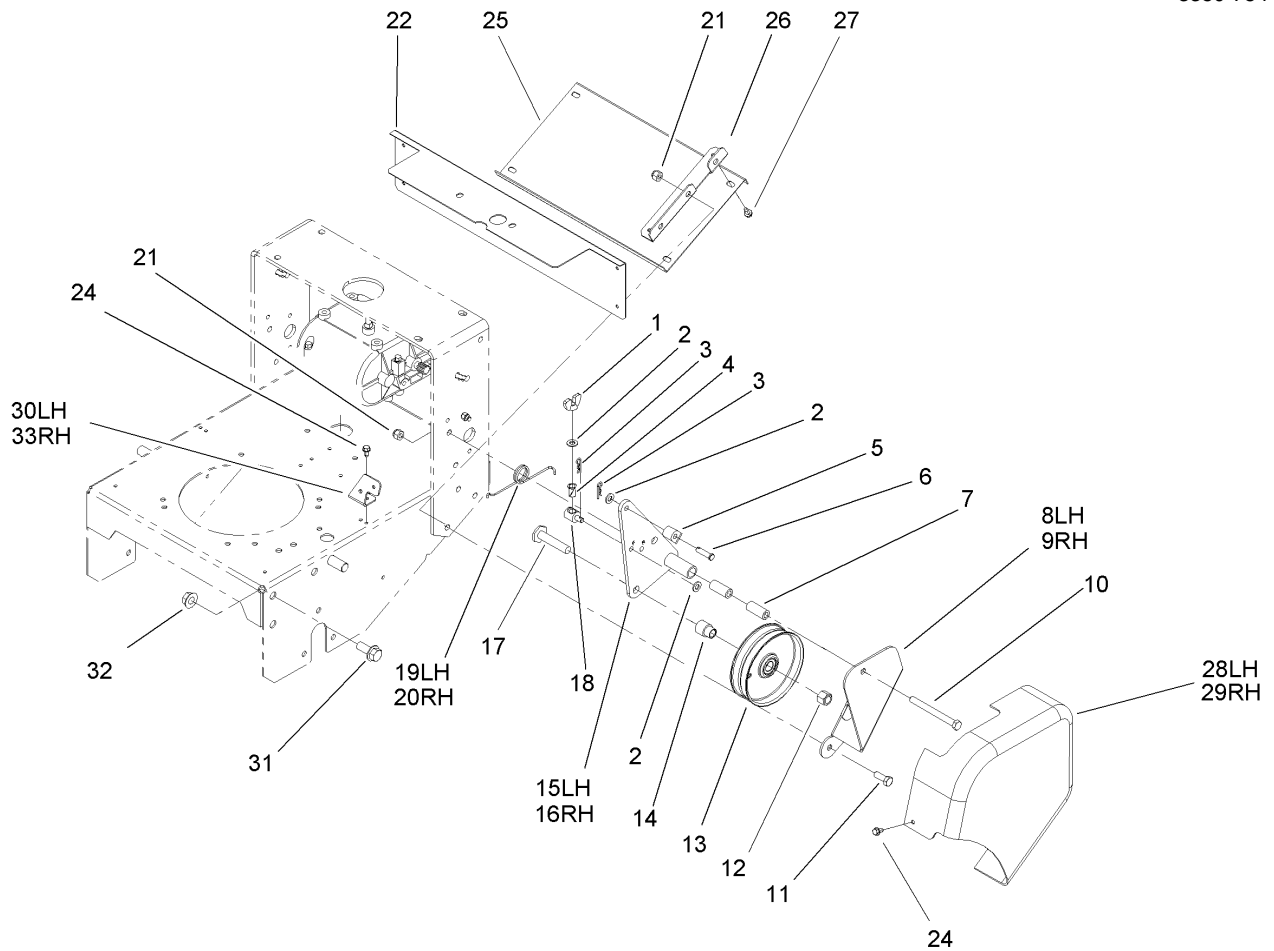
Ref	Part No.	Qty.	Description
1	56-6360	1	Filter-Fuel
2		1	Engine-Kawasaki, Fh381v-As27
3	2412-87	1	Clamp-Cable
4	106-5517	1	Decal-Surface, Hot
5	2412-72	1	Clip-Closed, Insulated
6	103-1966	1	Adapter
7	103-1965	1	Valve-Drain, Oil
8	104-8137	1	Harness-Wire
9	3296-29	4	Nut-Lock, NI
10	32128-20	2	Nut-HF
11	3255-8	1	Washer-Lock
12	237-124	1	Grommet
13	104-6373	1	Tube-Retainer
14	1-613235	4	Washer
15	1-633630	2	Grommet-Brake
16	1-633545	2	Spacer
17	1-633543-03	1	Strap-Clutch, Brake
18	322-11	1	Screw-HH
19	3256-23	5	Washer-Flat
20	322-7	5	Screw-HH
21	2412-134	1	R-Clamp
22	3212-9	1	Screw-HH
23	107-4136	1	Washer
24	105-2635	1	Clutch / Brake

Ref	Part No.	Qty.	Description
25	107-4112	1	Pulley-Drive
26	608006	1	Key-Square
27	94-5847-01	1	Cover-Pulley
28	100-6467	1	Muffler
29	103-5465	1	Clamp-Muffler
30	106-8785-03	1	Muffler Guard ASM
32	106-8786-03	1	Bracket-Guard, Muffler
33	322-1	4	Screw-HH
34	3296-29	4	Nut-Lock, NI
35	12-3270	2	Screw
36	1-603610	2	Washer-Spring
99	103-1964	1	Hose-Drain, Oil



Frame and Fuel Tank Assembly

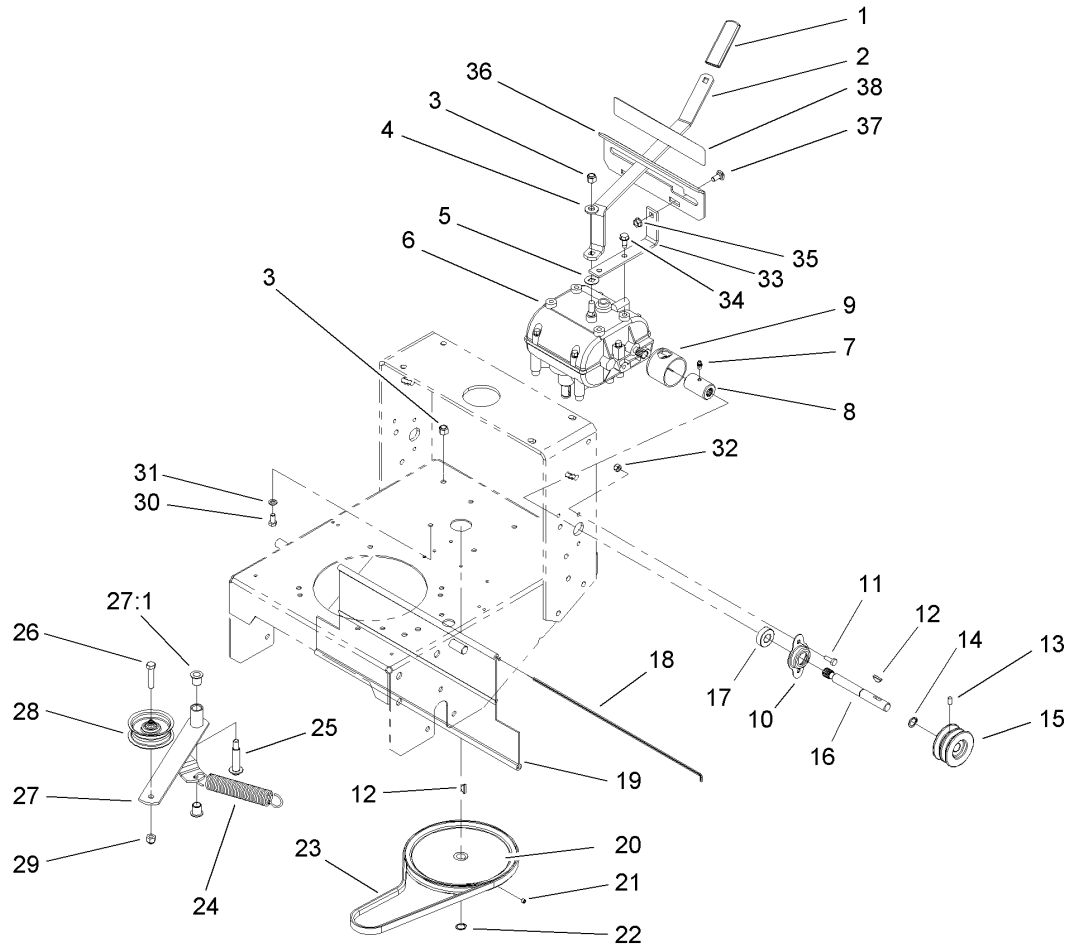
Ref	Part No.	Qty.	Description
1	88-3980	1	Gas Cap ASM
1:3	88-4010	1	Gasket-Cap, Gas
2	106-0730	1	Fuel Tank ASM
2:2	103-2605	1	Fitting-Fuel, Bulkhead
3	104-8121	2	Stud-Threaded
6	3256-23	4	Washer-Flat
7	1-633349	2	Spring-Tank, Fuel
8	3296-47	2	Nut-Lock, NI
9	106-0546-01	1	Gear Frame ASM
10	2412-98	4	Clamp
11	47-2982	1	Hose-Fuel
12	1-603770	1	Valve-Fuel
14	47-2980	1	Hose-Fuel
15	322-4	2	Screw-HH
16	3253-4	2	Washer-Lock
17	93-9353	1	Decal-Shut Off, Fuel



Lower Control Assembly

Ref	Part No.	Qty.	Description
1	32103-25	2	Nut-Wing
2	3256-23	6	Washer-Flat
3	3290-307	4	Pin-Hair
4	52-2890	2	Bushing-Nylon
5	74-0521	2	Fitting-Rod
6	283-6	2	Pin-Clevis
7	74-0040	4	Spacer-Pivot, Idler
8	67-6380-01	1	Bracket-Support, LH
9	67-6370-01	1	Bracket-Support, RH
10	323-16	2	Screw-HH
11	323-6	4	Screw-HH
12	3296-23	2	Nut-Lock, NI
13	95-2800	2	Pulley-Idler
14	95-2801	2	Spacer-Pulley
15	74-0220-01	1	Bracket-Idler, LH
16	74-0230-01	1	Bracket-Idler, RH
17	51-4450	2	Screw-Leveler
18	68-9690	2	Fitting-Rod
19	51-4380	1	Spring-Torsion, LH
20	51-4370	1	Spring-Torsion, RH
21	3296-39	6	Nut-Lock, NI
22	104-8158-03	1	Guard-Shaft, Transmission
24	12-3270	10	Screw
25	93-7437-01	1	Panel-Bottom

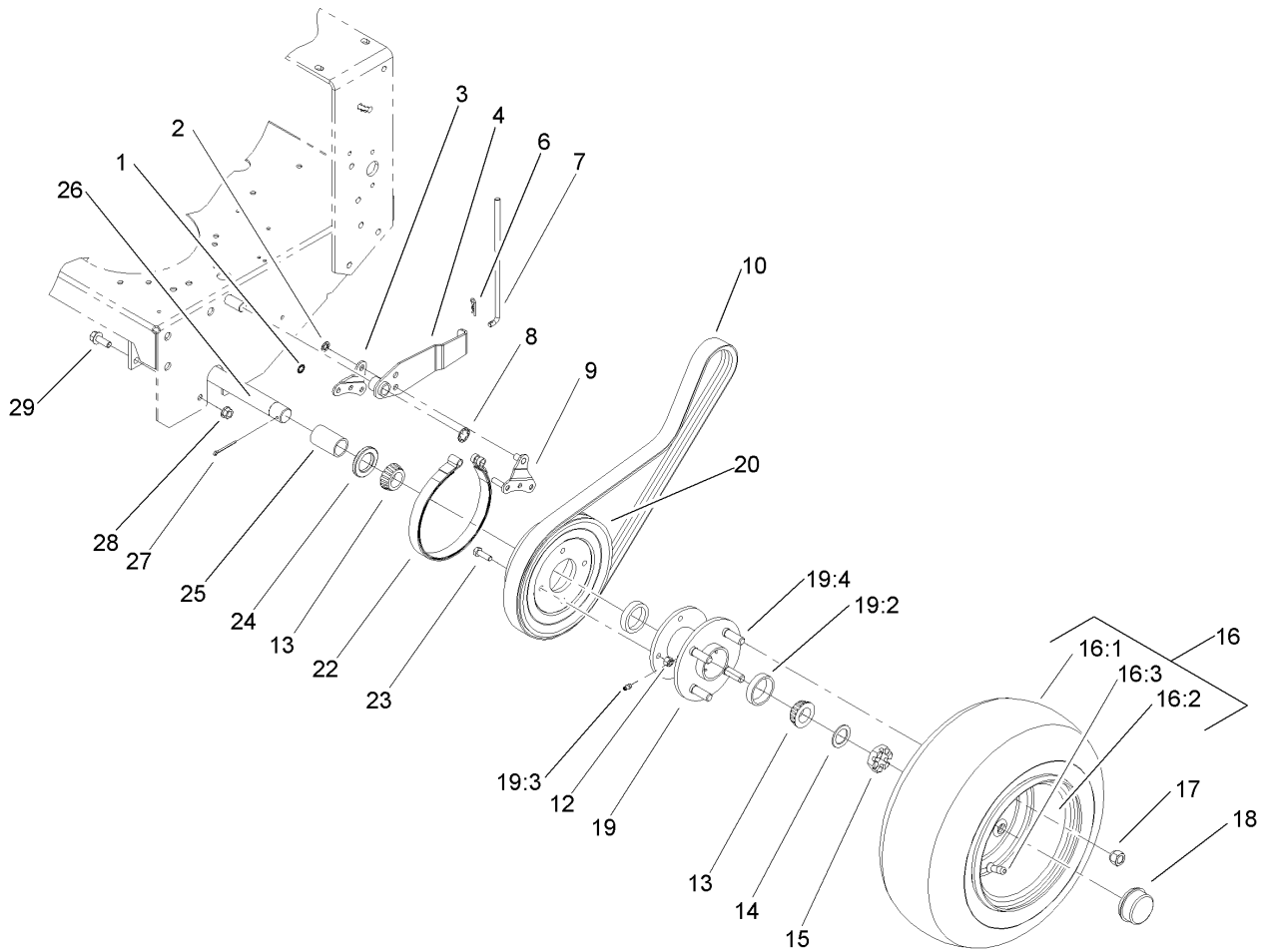
Ref	Part No.	Qty.	Description
26	93-7436-03	2	Angle-Mounting
27	12-3270	4	Screw
28	105-4659	1	Guard-Belt, LH
29	105-4660	1	Guard-Belt, RH
30	107-4078-01	1	Bracket-Mounting, LH
31	3234-32	6	Screw-HHF
32	32128-23	6	Nut-HF
33	107-4079-01	1	Bracket-Mounting, RH



Transmission and Drive System Assembly

Ref	Part No.	Qty.	Description
1	47-1970	1	Grip
2	98-3274-03	1	Lever-Shift
3	3296-6	2	Nut-Lock
4	98-5975	1	Washer-Belleville
5	1-323379	1	Washer
6	1-323500	1	Transmission
7	302-5	2	Fitting-Grease
8	1-323680	2	Coupler
9	51-4220	2	Guard-Coupler
10	1-323254	2	Flange-Output
11	321-4	4	Screw-HH
12	3257-5	3	Key-Woodruff
13	3245-9	2	Screw-Set
14	32151-62	2	Ring-Retaining
15	105-2698	2	Pulley-Transmission
16	104-1102	2	Shaft-Output
17	1-323252	2	Bearing-Shaft
18	95-1529	1	Rod-Shield
19	95-1526	1	Shield-Trailing
20	105-5646	1	Pulley-Driven
21	3245-1	1	Screw-Set, HSH
22	32120-64	1	Ring-Snap, External
23	105-5668	1	V-Belt
24	68-2190	1	Spring

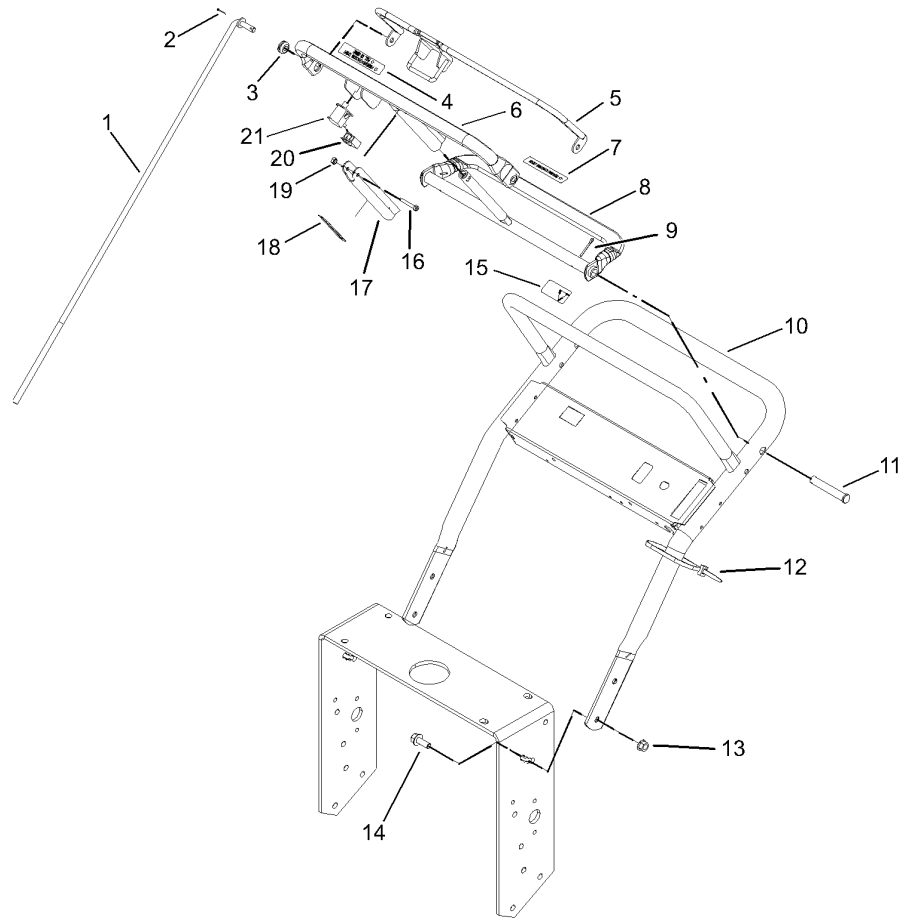
Ref	Part No.	Qty.	Description
25	27-6230	1	Bolt-Wheel
26	323-9	1	Screw-HH
27	16-7509	1	Lever-Idler
27:1	256-155	2	Bushing-Flange
28	62-4540	1	Pulley
29	3296-39	1	Nut-Lock, NI
30	322-2	4	Screw-HH
31	3253-4	4	Washer-Lock
32	3296-42	4	Nut-Lock, NI
33	1-323389-03	2	Bracket-Plate, Shift
34	9264964	4	Screw-Hwh, Thread Cut
35	32128-20	2	Nut-HF
36	1-323387-03	1	Plate-Shift
37	3230-1	2	Bolt-CARR
38	98-3264	1	Decal-Ground Speed



Wheel Drive and Brake Assembly

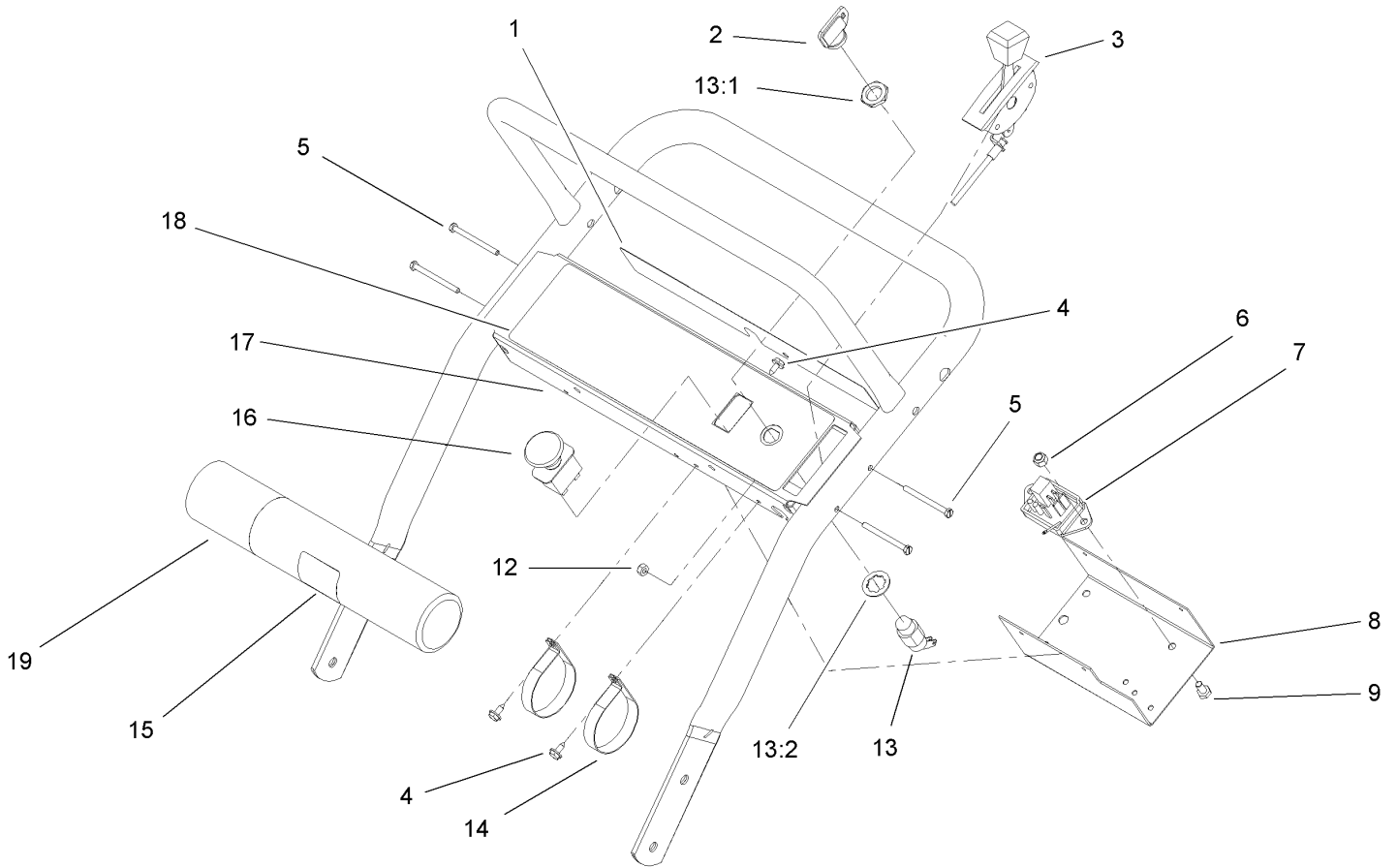
Ref	Part No.	Qty.	Description
1	32151-72	4	Ring-Retaining
2	32151-56	2	Ring-Retaining, External
3	106-8792	2	Plate-Link, Brake
4	106-8779-01	2	Brake Arm ASM
6	3290-307	2	Pin-Hair
7	51-4580	2	Rod-Brake
8	32151-40	2	Ring-Retaining
9	106-8773	2	Brake Link ASM
10	51-4290	2	V-Belt
12	3296-29	8	Nut-Lock, NI
13	254-94	4	Bearing-Cone, Tapered
14	1-523157	2	Washer-Spacer
15	1-809082	2	Nut-SHH
16	106-0892	2	Wheel And Tire ASM
16:1	104-6322	1	Tire
16:2	106-0893	1	Wheel
16:3	232-27	1	Stem-Valve
17	242-50	8	Nut-Lug
18	241-119	2	Cap-Dust
19	1-413333	2	Hub/wheel ASM
19:2	254-72	2	Bearing-Cup, Tapered
19:3	302-19	1	Fitting-Grease
19:4	1-633926	4	Stud-Wheel
20	106-5544	2	Pulley-Wheel

Ref	Part No.	Qty.	Description
22	1-323262	2	Band-Brake
23	322-5	8	Screw-HH
24	1-543511	2	Seal-Grease
25	104-1197	2	Spacer-Wheel
26	104-1196-01	1	Axle ASM
27	1-806800	2	Pin-Cotter
28	32128-21	6	Nut-HF
29	3234-11	6	Screw-HHF



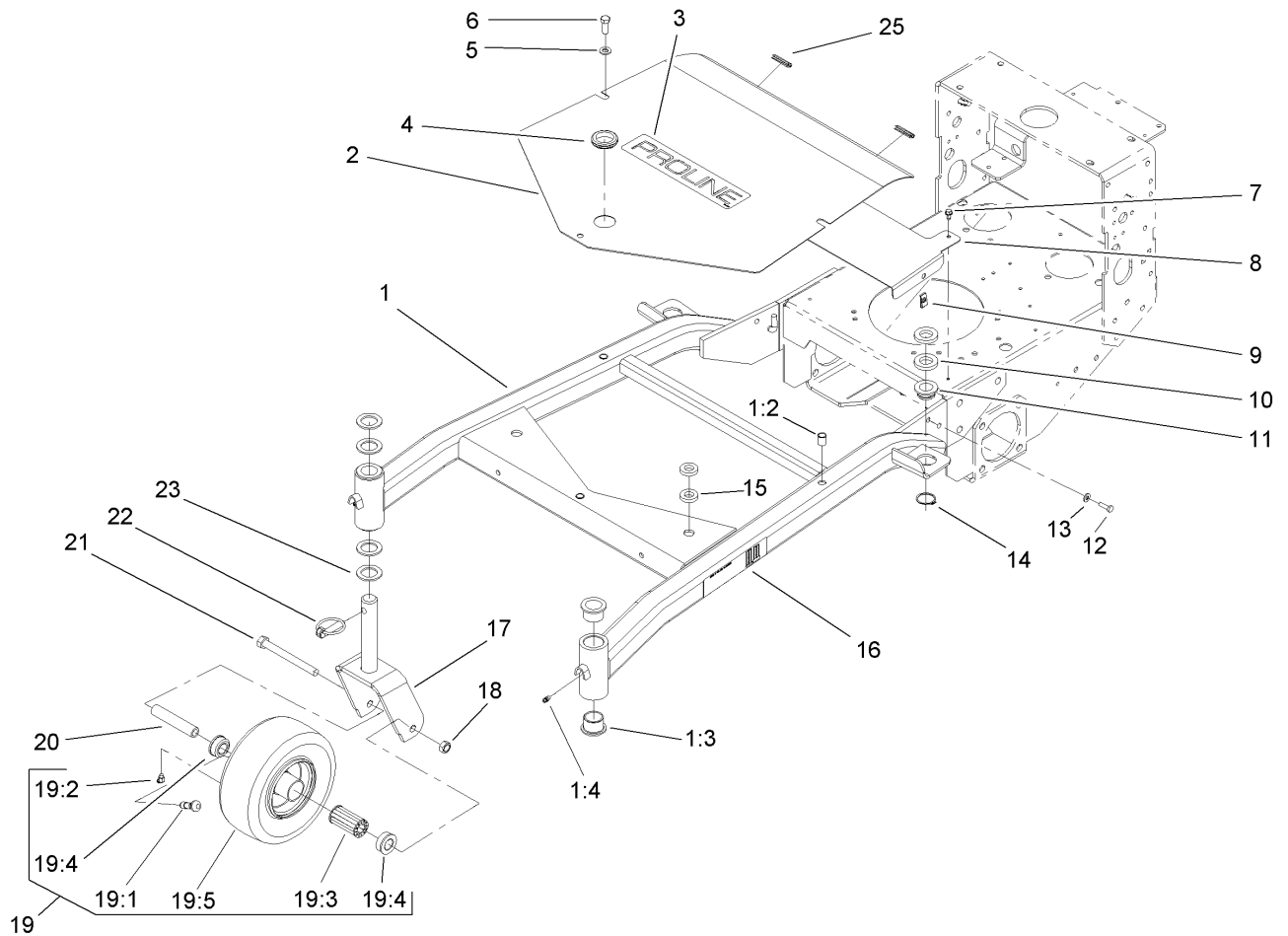
Upper Handle Assembly

Ref	Part No.	Qty.	Description				
1	105-4677	2	Rod-Control				
2	3272-4	2	Pin-Cotter				
3	237-141	2	Grommet-Rubber				
4	93-7298	1	Decal-Bar, Control				
5	82-7680-03	1	Bail ASM				
6	82-7690-03	1	Bar-Control				
7	93-7299	1	Decal-Reverse				
8	106-5477-03	1	Control Pivot ASM				
9	3272-11	2	Pin-Cotter				
10	105-3158-01	1	Upper Handle ASM				
11	283-55	2	Pin-Clevis				
12	3290-378	1	Tie-Cable				
13	32128-21	4	Nut-HF				
14	3234-11	4	Screw-HHF				
15	98-4387	1	Decal-Protection, Ear				
16	32105-1	1	Screw-SHH				
17	51-4850-03	1	Lever-Brake, Parking				
18	93-7442	1	Decal-Lever, Parking				
19	3296-2	1	Nut-Lock				
20	218-595	1	Connector-Body				
21	82-2190	1	Switch-Bail				



Upper Handle Assembly

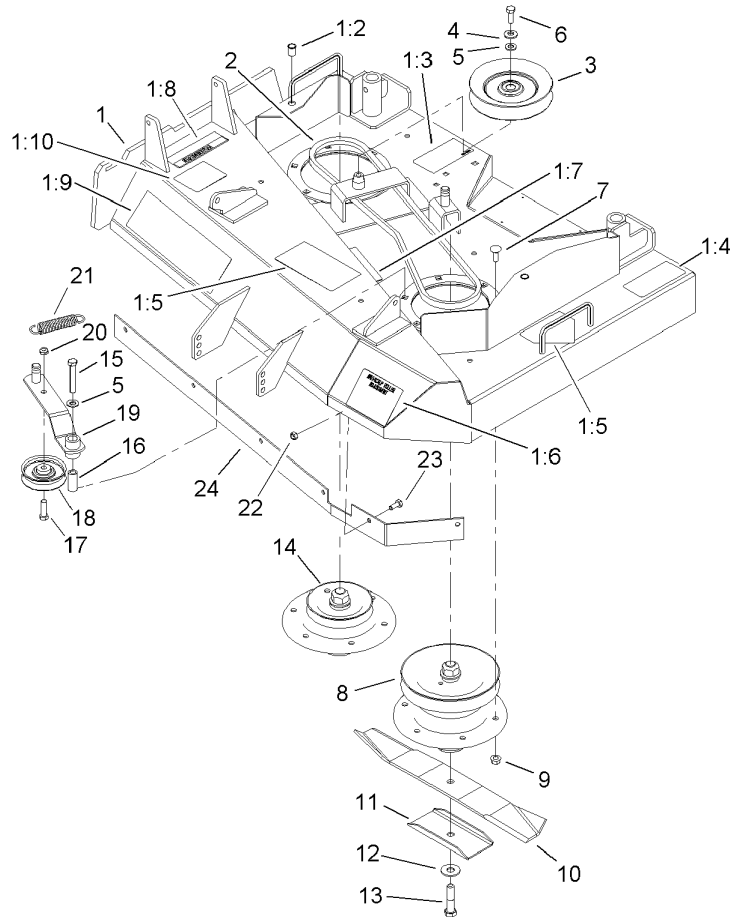
Ref	Part No.	Qty.	Description
1	106-5519	1	Decal-Danger
2	63-8360	1	Key-Ignition
3	107-4101	1	Cable-Throttle
4	32104-76	4	Screw
5	32105-14	4	Screw-SHH
6	3296-42	1	Nut-Lock, NI
7	104-8141	1	Module-Delay
8	93-1187-03	1	Panel-Bottom
9	321-2	1	Screw-HH
12	3296-2	4	Nut-Lock
13	29-5560	1	Switch-On/off
13:1	218-461	1	Nut-HH
13:2	3254-5	1	Washer-Tooth
14	2412-120	2	R-Clamp
15	104-7050	1	Housing-Manual
16	104-8140	1	Switch-PTO
17	104-8177-03	1	Panel-Control
18	106-5500	1	Decal
19	104-7048	1	Cap-Housing



Carrier Frame Assembly

Ref	Part No.	Qty.	Description
1	106-0706	1	Carrier Frame ASM
1:2	32148-9	3	Insert-Nut
1:3	94-1291	4	Bushing
1:4	302-5	2	Fitting-Grease
2	105-3165-01	1	Cover-Frame, Carrier
3	106-0719	1	Decal
4	240-3	1	Grommet-Rubber
5	3256-24	3	Washer-Flat
6	323-6	3	Screw-HH
7	12-3270	2	Screw
8	106-5473-01	1	Shield-Heat
9	3290-199	2	Nut-Speed
10	104-1105	4	Spacer-Support, Deck
11	1-513336	2	Bushing-Deck
12	321-5	2	Screw-HH
13	3256-22	2	Washer-Flat
14	32120-33	2	Ring-Retaining
15	105-0842	4	Spacer
16	106-0636	2	Decal
17	105-3159-01	2	Castor Fork ASM
18	32153-5	2	Nut-Lock, Side
19	100-6451	2	Castor Wheel ASM
19:1	232-27	1	Stem-Valve
19:2	302-11	1	Fitting-Lube, 45 DEG

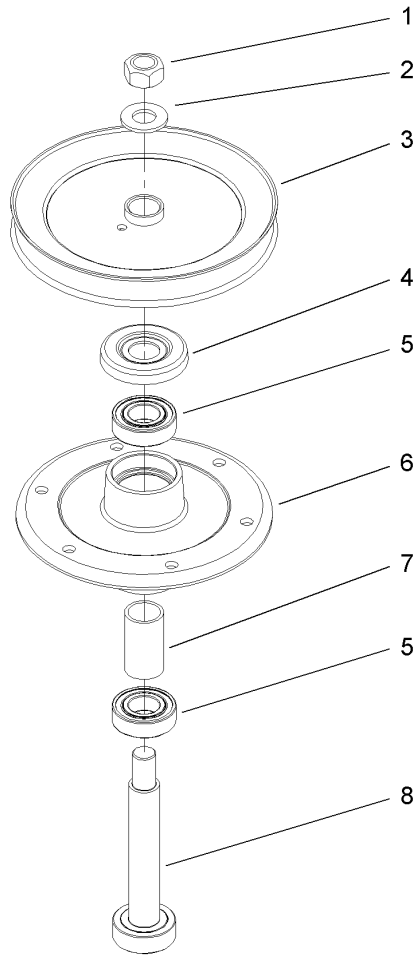
Ref	Part No.	Qty.	Description
19:3	83-4740	1	Bearing
19:4	62-5580	2	Bearing-Outside
19:5	100-6452	1	Tire-Tubeless
20	100-6453	2	Bushing-Spanner
21	325-19	2	Screw-HH
22	283-71	2	Pin-Lynch
23	3-6781	8	Washer-Thrust
25	105-0381	2	Seal-Strip, 1.5 In



Spindle, Pulley and Belt Assembly

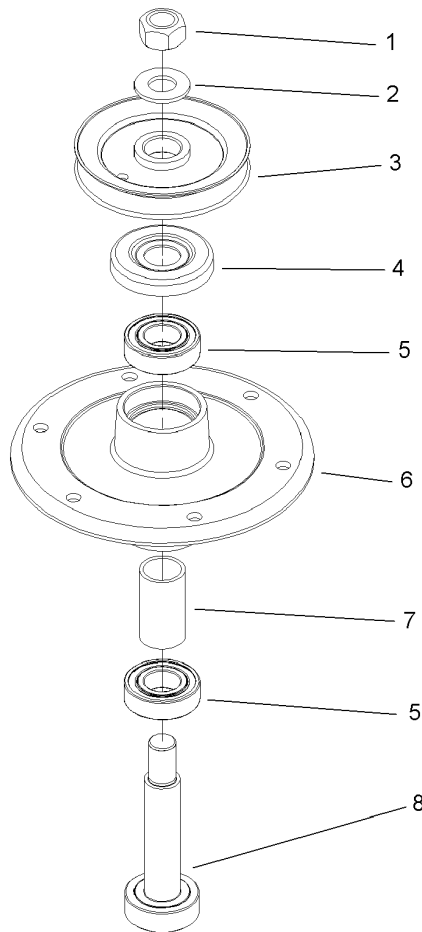
Ref	Part No.	Qty.	Description
1	106-0616	1	Deck ASM
1:2	32148-9	2	Insert-Nut
1:3	104-8185	1	Decal
1:4	93-7818	1	Decal-Torque, Blade Bolt
1:5	93-7010	2	Decal-Danger
1:6	106-5533	1	Decal-Antiscalp, Ce
1:7	98-1977	1	Decal-Warning
1:8	93-7828	1	Decal-Warning, Deflector
1:9	106-5518	1	Decal
1:10	105-2699	1	Decal-Noise
2	51-3530	1	V-Belt-Drive, Deck
3	1-633166	1	Pulley-Idler
4	98-5975	1	Washer-Belleville
5	3256-24	2	Washer-Flat
6	323-6	1	Screw-HH
7	3231-22	11	Screw-CARR
8	106-0788	1	Spindle Housing ASM
9	32128-21	12	Nut-HF
10	56-2390	2	Blade-Sail, Extra High
11	92-9820	2	Stiffener-Blade
12	3256-6	2	Washer-Flat
13	44-2200	2	Screw-Blade
14	106-0787	1	Spindle Housing ASM
15	323-12	1	Screw-HH

Ref	Part No.	Qty.	Description
16	51-3641	1	Sleeve-Pivot, Idler
17	3211-5	1	Screw-HH
18	51-3660	1	Pulley-Idler
19	105-0889	1	Idler Arm ASM
20	3296-5	1	Nut-Lock
21	105-2673	1	Spring-Extension
22	3296-47	6	Nut-Lock, NI
23	322-3	6	Screw-HH
24	93-9479-01	1	Baffle-Front



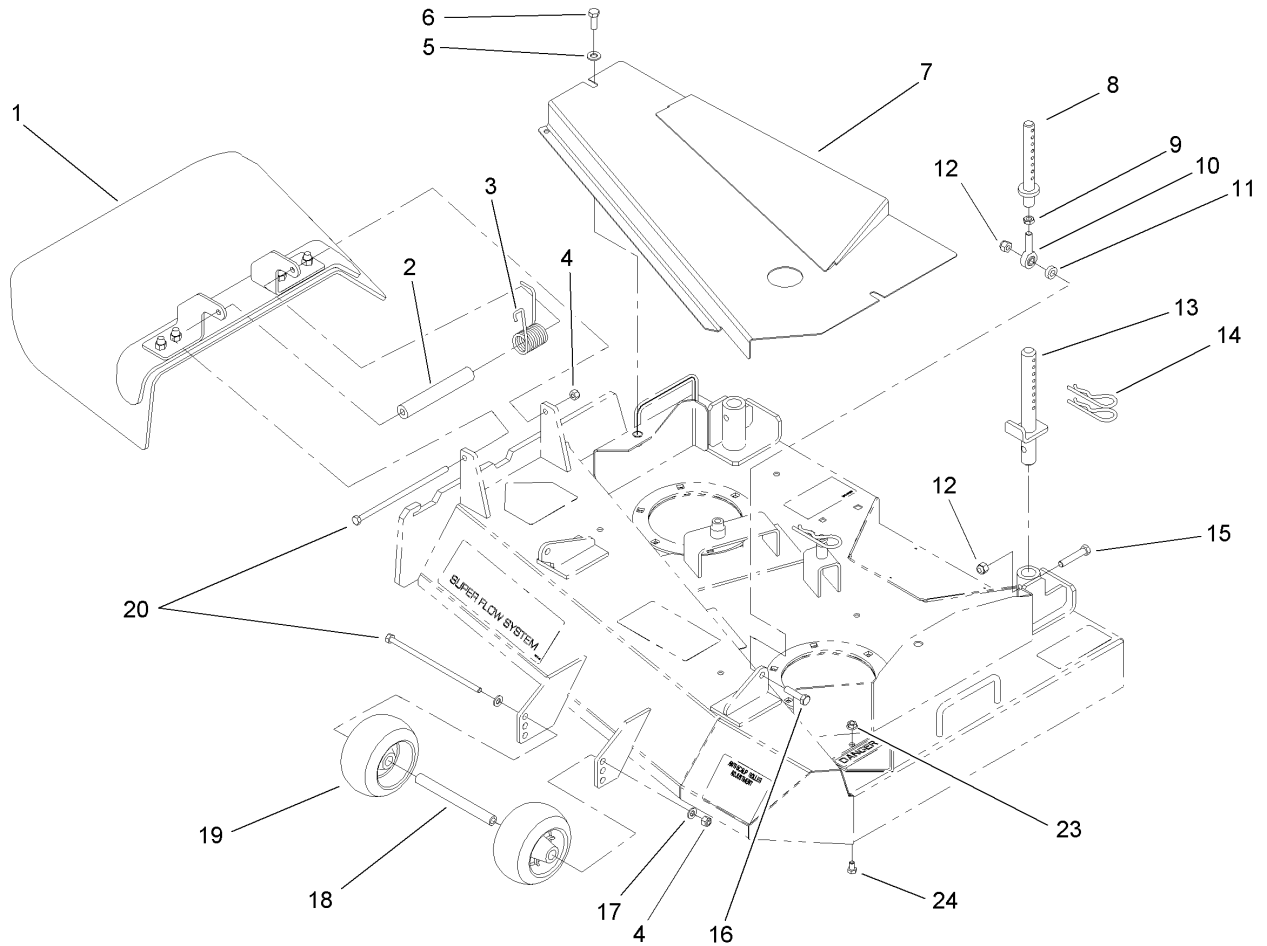
Spindle Assembly No. 106-0788

Ref	Part No.	Qty.	Description
1	3219-7	1	Nut-Hex
2	7-4150	1	Washer
3	104-1180	1	Pulley And Hub ASM
4	106-0873	1	Shield-Bearing
5	104-6325	2	Bearing
6	106-0819	1	Housing-Spindle
7	106-0795	1	Spacer-Bearing
8	106-0781	1	Shaft-Spindle



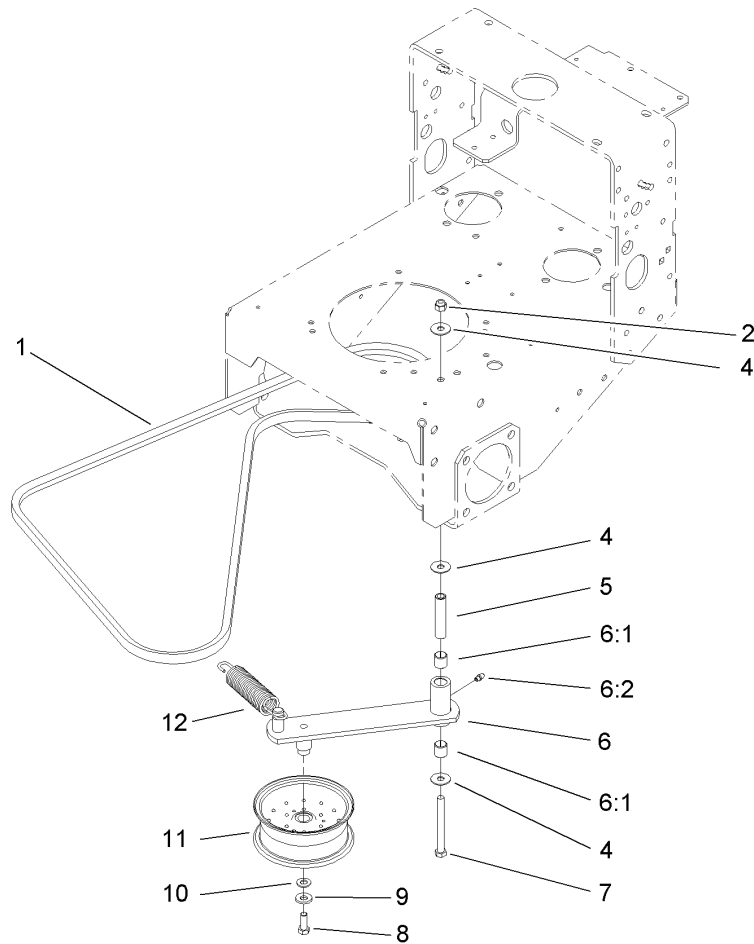
Outer Spindle Assembly 106-0787

Ref	Part No.	Qty.	Description				
1	3219-7	1	Nut-Hex				
2	7-4150	1	Washer				
3	104-1118	1	Pulley And Hub ASM				
4	106-0873	1	Shield-Bearing				
5	104-6325	2	Bearing				
6	106-0819	1	Housing-Spindle				
7	106-0795	1	Spacer-Bearing				
8	106-0782	1	Shaft-Spindle				



Roller, Cover and Deflector Assembly

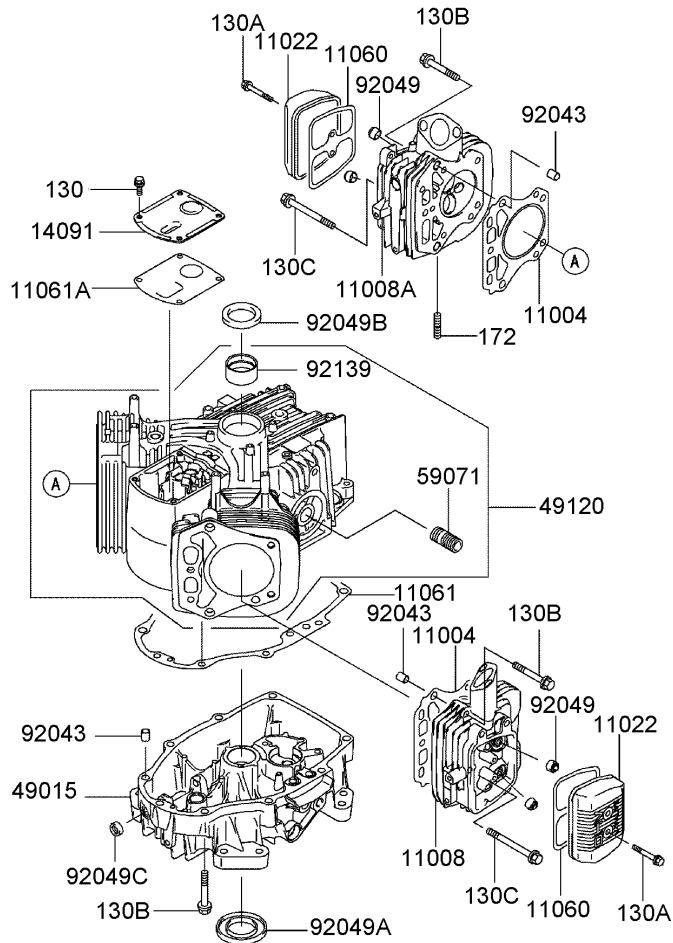
Ref	Part No.	Qty.	Description
1	107-4194	1	Deflector ASM
2	105-4622	1	Spacer
3	104-8554	1	Spring-Torsion
4	3296-29	2	Nut-Lock, NI
5	3256-24	2	Washer-Flat
6	323-6	2	Screw-HH
7	106-5508-01	1	Cover ASM
8	106-0684	2	Front Pin ASM
9	3220-3	2	Nut-Jam
10	1-613204	2	Balljoint
11	104-1156	2	Spacer
12	3296-39	4	Nut-Lock, NI
13	106-3365	2	Rear Pin ASM
14	3290-256	6	Pin-Hair
15	323-10	2	Screw-HH
16	323-8	2	Screw-HH
17	3256-23	2	Washer-Flat
18	98-5967	1	Spacer-Wheel
19	1-603299	2	Roller-Anti Scalp
20	322-50	2	Screw-HH
23	32128-20	2	Nut-HF
24	322-1	2	Screw-HH



Idler Assembly

Ref	Part No.	Qty.	Description
1	106-5493	1	Belt-Drive, PTO
2	3296-39	1	Nut-Lock, NI
4	52-2860	3	Washer
5	104-6377	1	Tube-Idler
6	106-0734	1	Idler Arm ASM
6:1	1-513034	2	Sleeve-Bearing
6:2	302-5	1	Fitting-Grease
7	323-42	1	Screw-HH
8	323-6	1	Screw-HH
9	98-5975	1	Washer-Belleville
10	3256-24	1	Washer-Flat
11	1-413099	1	Pulley-Idler
12	105-8443	1	Spring-Extension

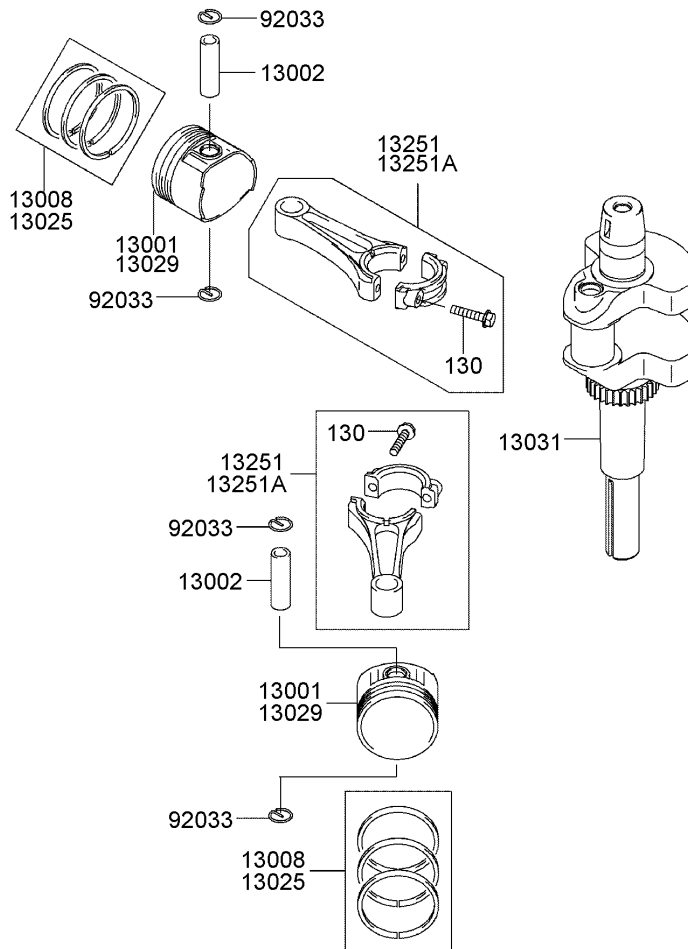
--	--	--	--



Cylinder / Crankcase Assembly Kawasaki FH381V-AS27

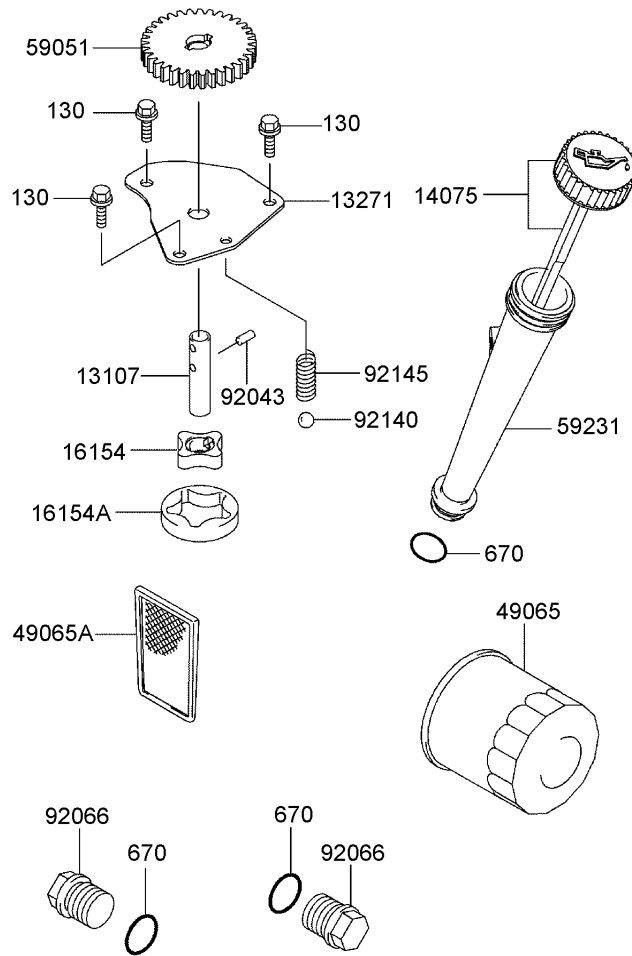
Ref	Part No.	Qty.	Description
②11004	11004-7018	2	Gasket-Head
②11008	11008-7021	1	Head-Comp-Cylinder, No. 2
②11008A	11008-7022	1	Head-Comp-Cylinder, No. 1
②11022	11022-7003	2	Case-Rocker
②11060	11060-7001	2	Gasket-Case, Rocker
②11061	11061-7007	1	Gasket-Cover, Crankcase
②11061A	11061-7008	1	Gasket-Breather
②14091	14091-7007	1	Cover
②49015	49015-7032	1	Cover-Crankcase
②49120	49120-7015	1	Crankcase-Comp
②59071	59071-2079	1	Joint
②92043	92043-7001	6	Pin
②92049	92049-7001	4	Seal-Oil, Rvc2 (6x11x10.2)
②92049A	92049-7015	1	Seal-Oil, Sd (35x62x8 L Hs)
②92049B	92049-7016	1	Seal-Oil, Sd (35x48x8 R Hs)
②92049C	92049-7019	1	Seal-Oil, So (8x14x5 Hs)
②92139	92139-7008	1	Bushing
②130	130B0612	4	Bolt-Flanged
②130A	130B0640	4	Bolt-Flanged
②130B	130T0850	17	Bolt-Flanged
②130C	130T0875	2	Bolt-Flanged
②172	172G0818	4	Bolt-Stud

--	--	--	--



Piston / Crankshaft Assembly Kawasaki FH381V-AS27

Ref	Part No.	Qty.	Description				
② 13001	13001-7009	2	Piston-Engine				
② 13002	13002-7001	2	Pin-Piston				
② 13008	13008-7001	2	Ring Set-Piston				
② 13025	13025-7003	1	Ring Set-Piston (L,0.50)				
② 13029	13029-7005	1	Piston-Engine (L,0.50)				
② 13031	13031-7033	1	Crankshaft-Comp				
② 13251	13251-7007	2	Connecting Rod ASM				
② 13251A	13251-7008	2	Connecting Rod ASM (U/s=0.50)				
② 92033	92033-7005	4	Ring-Snap				
② 130	130G0630	4	Bolt-Flanged				

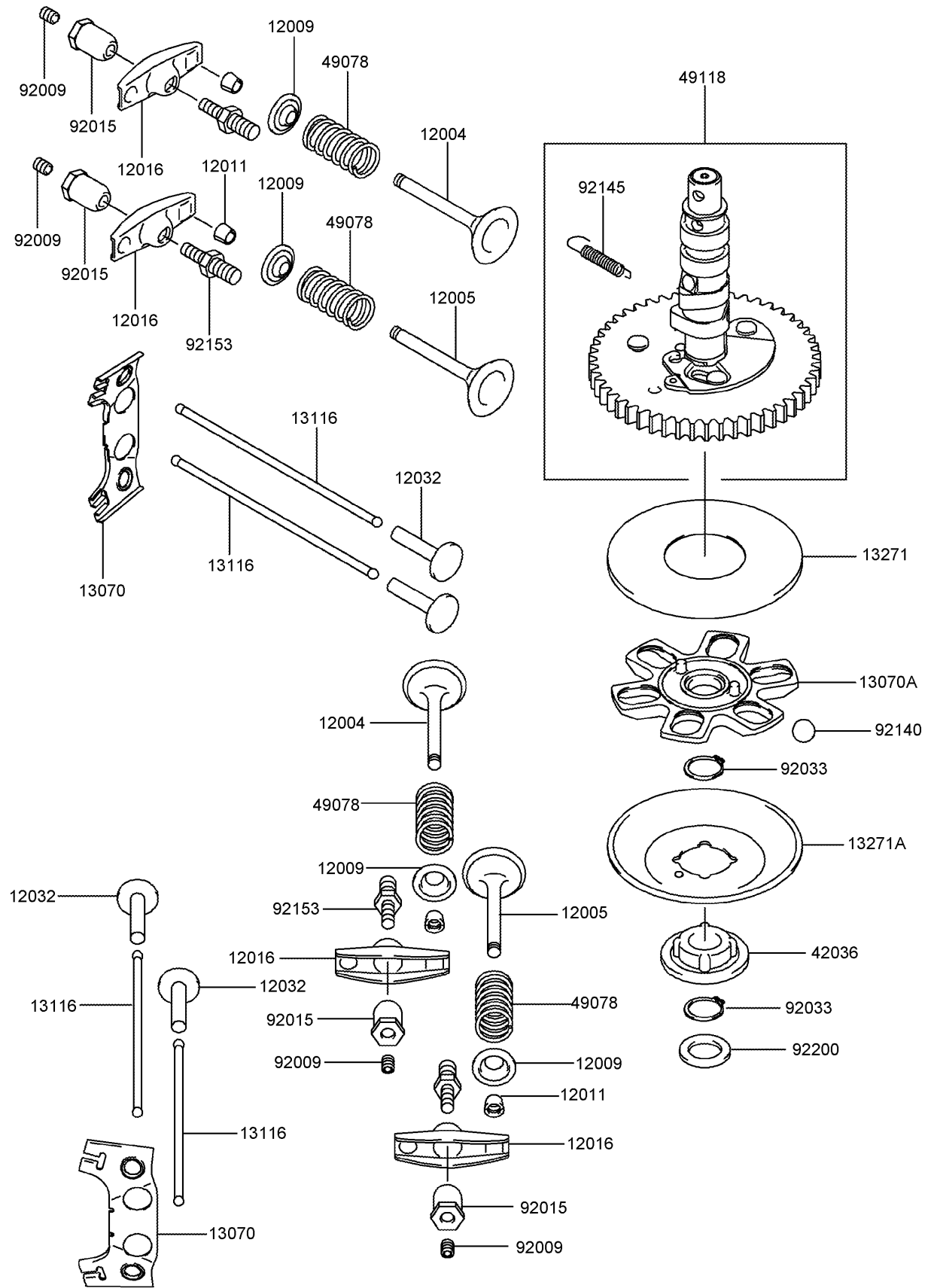


Lubrication Equipment Assembly Kawasaki FH381V-AS27

Ref	Part No.	Qty.	Description
②13107	13107-7009	1	Shaft
②13271	13271-7017	1	Plate
②14075	14075-7009	1	Cap ASM
②16154	16154-2053	1	Rotor-Pump (In)
②16154A	16154-2054	1	Rotor-Pump (Out)
②49065	49065-2078	1	Filter-Oil
②49065A	49065-7004	1	Filter-Oil
②59051	59051-7011	1	Gear-Spur
②59231	59231-7003	1	Filler
②92043	92043-7003	2	Pin
②92066	92066-7003	2	Plug
②92140	92140-7003	1	Ball
②92145	92145-7002	1	Spring
②130	130B0612	3	Bolt-Flanged
②670	670D2016	3	O-Ring (16mm)

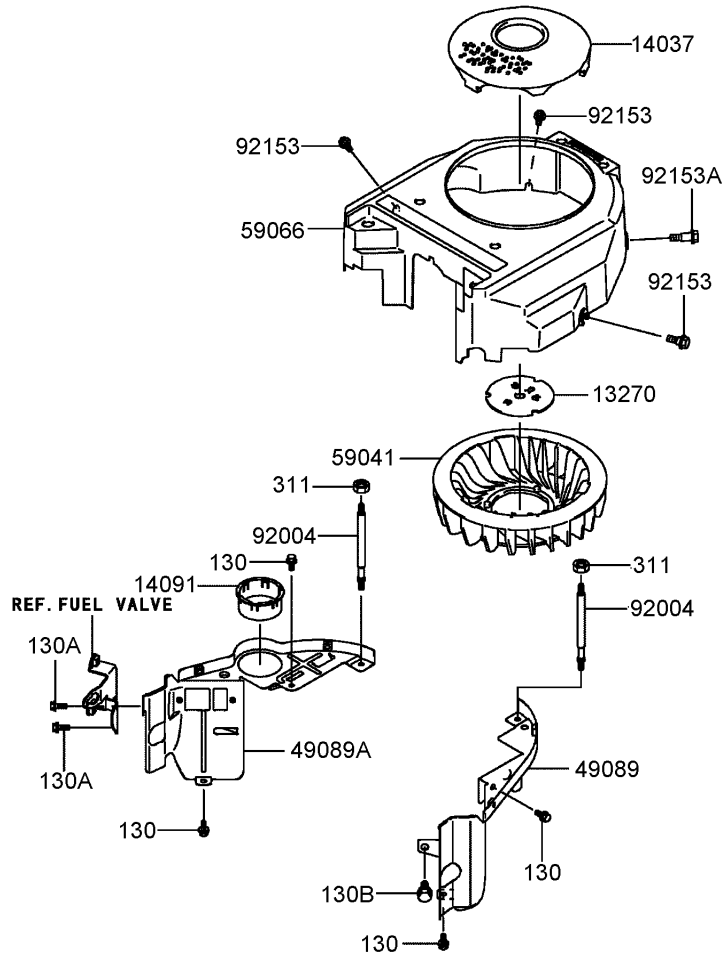
--	--	--	--

Valve / Camshaft Assembly Kawasaki FH381V-AS27



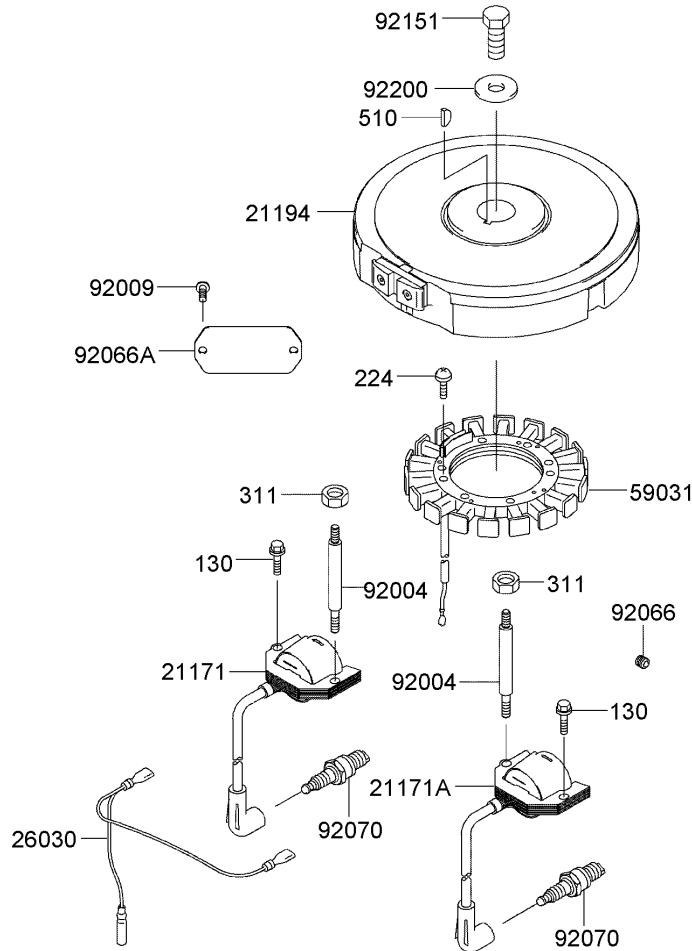
Valve / Camshaft Assembly Kawasaki FH381V-AS27

Ref	Part No.	Qty.	Description				
②12004	12004-7003	2	Valve-Intake				
②12005	12005-7003	2	Valve-Exhaust				
②12009	12009-7001	4	Retainer-Spring, Valve				
②12011	12011-2056	8	Collet				
②12016	12016-7001	4	Arm-Rocker				
②12032	12032-7001	4	Tappet				
②13070	13070-7001	2	Guide				
②13070A	13070-7004	1	Guide				
②13116	13116-2057	4	Rod-Push				
②13271	13271-7007	1	Plate				
②13271A	13271-7021	1	Plate-Governor				
②42036	42036-7009	1	Sleeve				
②49078	49078-7001	4	Spring-Valve, Engine				
②49118	49118-7009	1	Camshaft-Comp				
②92009	92009-2341	4	Screw				
②92015	92015-2253	4	Nut				
②92033	92033-7001	2	Ring-Snap				
②92140	92140-7002	6	Ball				
②92145	92145-7001	1	Spring				
②92153	92153-7019	4	Bolt				
②92200	92200-7001	1	Washer				



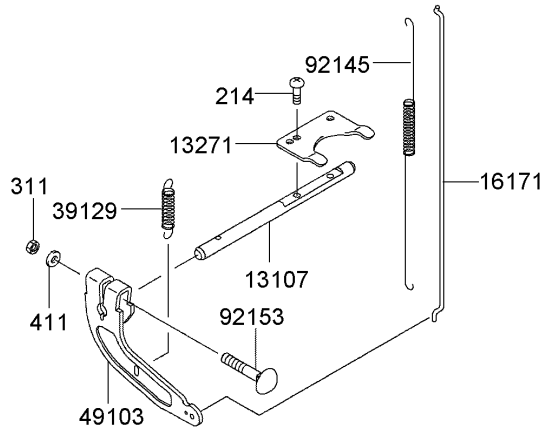
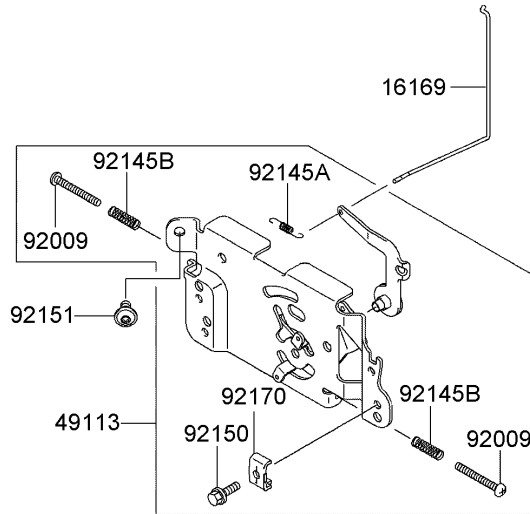
Cooling Equipment Assembly Kawasaki FH381V-AS27

Ref	Part No.	Qty.	Description				
② 13270	13270-7007	1	Plate				
② 14037	14037-7025-9H	1	Screen				
② 14091	14091-7009	1	Cover				
② 49089	49089-7044	1	Shroud-Engine				
② 49089A	49089-7045	1	Shroud-Engine				
② 59041	59041-7010	1	Fan				
② 59066	59066-7023	1	Housing-Fan				
② 92004	92004-7007	2	Stud				
② 92153	92153-7007	3	Bolt				
② 92153A	92153-7008	1	Bolt				
② 130	130B0612	4	Bolt-Flanged				
② 130A	130B0616	2	Bolt-Flanged				
② 130B	130B0816	1	Bolt-Flanged				
② 311	311F0600	2	Nut-Hex				



Electric Equipment Assembly Kawasaki FH381V-AS27

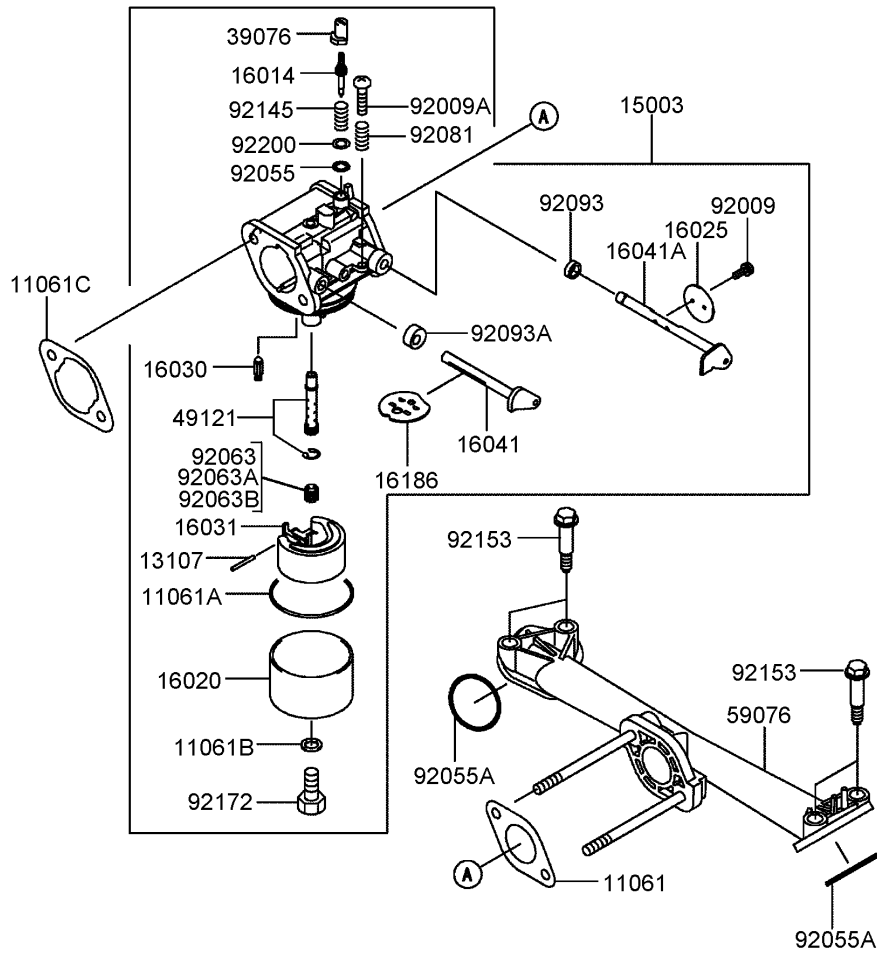
Ref	Part No.	Qty.	Description
②21171	21171-7013	1	Ignition Coil ASM
②21171A	21171-7014	1	Ignition Coil ASM
②21194	21194-7012	1	Flywheel-Comp
②26030	26030-7001	1	Harness
②59031	59031-7002	1	Coil-Charging
②92004	92004-7008	2	Stud
②92009	92009-2308	2	Screw
②92066	92066-7002	1	Plug
②92066A	92066-7005	1	Plug
②92070	92070-7003	2	Plug-Spark (Rcj8y, Solid)
②92151	92151-2097	1	Bolt (12x30)
②92200	92200-7002	1	Washer
②130	130B0620	2	Bolt-Flanged
②224	224B0520	4	Screw-Pan
②311	311F0600	2	Nut-Hex
②510	510A5100	1	Key-Woodruff



Control Equipment Assembly Kawasaki FH381V-AS27

Ref	Part No.	Qty.	Description
②13107	13107-7010	1	Shaft
②13271	13271-7018	1	Plate
②16169	16169-7012	1	Link-Choke
②16171	16171-7007	1	Link
②39129	39129-7003	1	Spring-Governor
②49103	49103-7004	1	Arm-Governor
②49113	49113-7027	1	Panel-Control, Comp
②92009	92009-7007	2	Screw (4x35)
②92145	92145-7003	1	Spring
②92145A	92145-7004	1	Spring
②92145B	92145-7005	2	Spring
②92150	92150-2182	1	Bolt (5x18)
②92151	92151-7012	2	Bolt (6x12)
②92153	92153-7033	1	Bolt (6x35)
②92170	92170-7001	1	Clamp
②214	214B0408	2	Screw-Pan
②311	311B0600	1	Nut-Hex
②411	411b0600	1	Washer-Plain

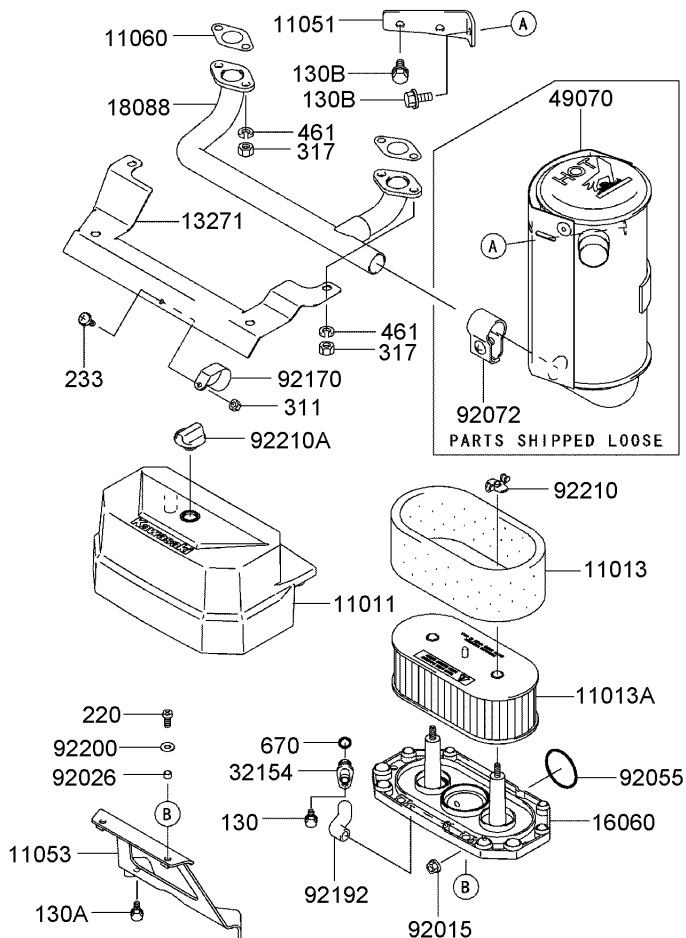
--	--	--	--



Carburetor Assembly Kawasaki FH381V-AS27

Ref	Part No.	Qty.	Description
② 11061	11061-7004	1	Gasket-Insulator
② 11061A	11061-7009	1	Gasket-Chamber
② 11061B	11061-7010	1	Gasket-Screw
② 11061C	11061-7018	1	Gasket-Cleaner, Air
② 13107	13107-7018	1	Shaft
② 15003	15003-7054	1	Carburetor ASM
② 16014	16014-7002	1	Screw-Pilot
② 16020	16020-7003	1	Chamber-Float
② 16025	16025-7006	1	Valve-Throttle
② 16030	16030-7003	1	Valve-Float
② 16031	16031-7002	1	Float
② 16041	16041-7016	1	Shaft-Choke, Carburetor
② 16041A	16041-7018	1	Shaft-Throttle, Carburetor
② 16186	16186-7002	1	Choke Valve ASM
② 39076	39076-7001	1	Limiter
② 49121	49121-7002	1	Nozzle-Main
② 59076	59076-7005	1	Manifold-Intake
② 92009	92009-2083	2	Screw
② 92009A	92009-2349	1	Screw
② 92055	92055-2174	1	O-Ring
② 92055A	92055-7007	2	O-Ring (Id=31)
② 92063	92063-7027	1	Jet-Main (No. 78)
② 92063A	92063-7030	1	Jet-Main (No. 75)
② 92063B	92063-7031	1	Jet-Main (No. 72)

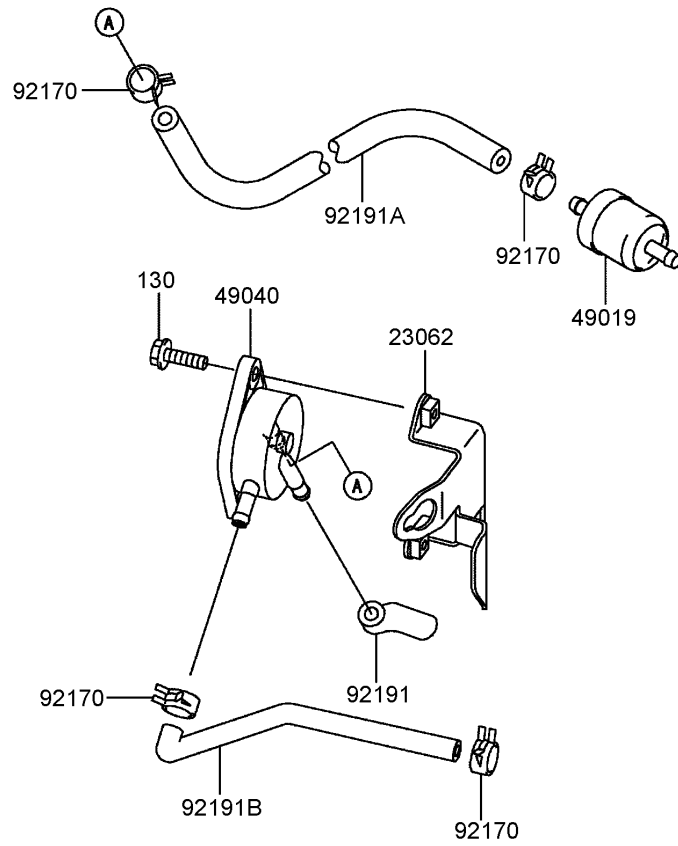
Ref	Part No.	Qty.	Description
② 92081	92081-2234	1	Spring
② 92093	92093-2100	1	Seal
② 92093A	92093-7003	1	Seal
② 92145	92145-7015	1	Spring
② 92153	92153-7009	4	Bolt
② 92172	92172-7002	1	Screw
② 92200	92200-7014	1	Washer



Air-Filter / Muffler Assembly Kawasaki FH381V-AS27

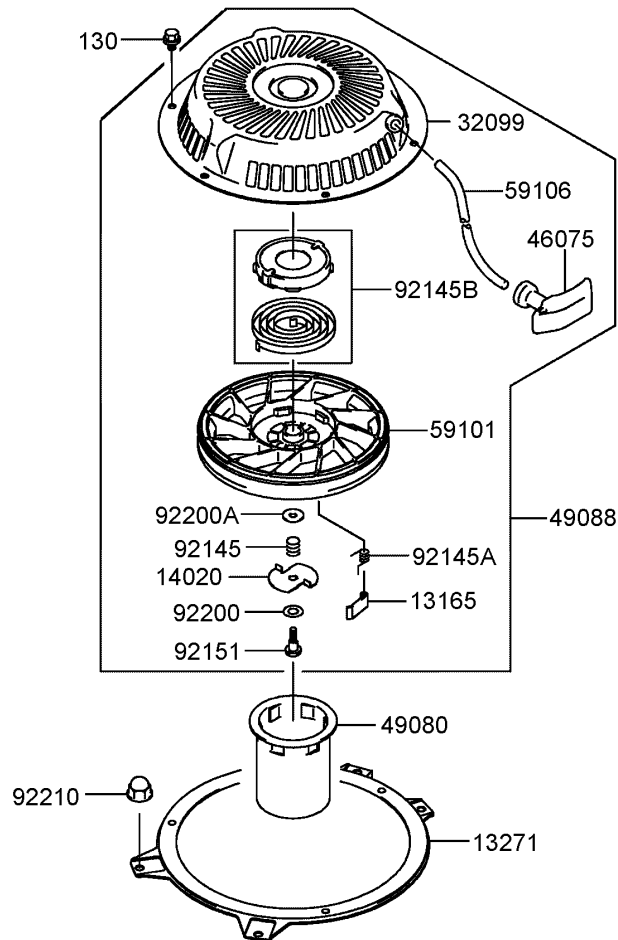
Ref	Part No.	Qty.	Description
②11011	11011-7035	1	Case-Filter, Air
②11013	11013-7025	1	Element-Filter, Air
②11013A	11013-7031	1	Element-Filter, Air
②11051	11051-7005-9H	1	Bracket
②11053	11053-7022	1	Bracket
②11060	11060-7021	2	Gasket-Muffler
②13271	13271-7022	1	Plate
②16060	16060-7016	1	Pipe-Intake
②18088	18088-7001	1	Pipe-Exhaust
②32154	32154-7006	1	Pipe
②49070	49070-7015	1	Muffler-Comp
②92015	92015-1193	2	Nut
②92026	92026-7001	2	Spacer (6.2x7.9x5)
②92055	92055-7015	1	O-Ring
②92072	92072-7008	1	Band
②92170	92170-7002	1	Clamp
②92192	92192-7010	1	Tube
②92200	92200-2070	2	Washer
②92210	92210-7004	2	Nut
②92210A	92210-7019	1	Nut
②130	130B0610	1	Bolt-Flanged
②130A	130B0612	2	Bolt-Flanged
②130B	130B0816	2	Bolt-Flanged

Ref	Part No.	Qty.	Description
②220	220B0614	2	Screw-Pan (Cross)
②233	233B0416	1	Screw-Pan
②311	311B0400	1	Nut-Hex
②317	317R0800	4	Nut-Hex, Small
②461	461F0800	4	Washer-Spring
②670	670B2010	1	O-Ring (10mm)



Fuel Tank / Valve Assembly Kawasaki FH381V-AS27

Ref	Part No.	Qty.	Description
② 23062	23062-7004-9H	1	Bracket-Comp
② 49019	49019-7001	1	Filter-Fuel
② 49040	49040-7001	1	Pump-Fuel
② 92170	92170-2088	4	Clamp
② 92191	92191-7002	1	Tube
② 92191A	92191-7003	1	Tube (6.35x12.7x160)
② 92191B	92191-7004	1	Tube
② 130	130B0620	2	Bolt-Flanged



Starter Assembly Kawasaki FH381V-AS27

Ref	Part No.	Qty.	Description				
② 13165	13165-7001	2	Pawl-Starter, Recoil				
② 13271	13271-7003-9H	1	Plate				
② 14020	14020-7001	1	Retainer				
② 32099	32099-7002	1	Case-Recoil, Starter				
② 46075	46075-7001	1	Grip-Recoil, Starter				
② 49080	49080-7001	1	Pulley-Starting				
② 49088	49088-7013	1	Starter-Recoil				
② 59101	59101-7001	1	Reel-Recoil				
② 59106	59106-7005	1	Rope				
② 92145	92145-7006	1	Spring				
② 92145A	92145-7007	2	Spring				
② 92145B	92145-7008	1	Spring				
② 92151	92151-7008	1	Bolt				
② 92200	92200-7004	1	Washer				
② 92200A	92200-7005	1	Washer				
② 92210	92210-0003	4	Nut				
② 130	130B0608	3	Bolt-Flanged				

56033



56070



56080



56080A



Decals

Kawasaki FH381V-AS27

Ref	Part No.	Qty.	Description				
②56033	56033-7001	1	Label-Manual				
②56070	56070-7001	1	Label-Warning				
②56080	56080-2077	1	Label-Brand				
②56080A	56080-7025	1	Label-Brand				

Attachments and Accessories

For 30314TE - Mid-Size ProLine T-Bar Gear, 13 HP with 91cm Side Discharge Mower

Product Name	Model/Part
Blade-Atomic	104-1301
36 Inch Recycler Kit	105-3180
Weight Kit	106-5491
Soft Bag (3 Bushel)	30104
Steel Grass Catcher	30107
Blade	56-2390-03
Blade-Mulch	99-8549-03

NOTES

