



Z400 Z Master[®] With 52in 7-Gauge Side Discharge Mower

Model No. 74410 - 250005001 and up.

Parts Catalog

Ordering Replacement Parts

To order replacement parts, please supply the part number, the quantity, and the description of each part desired.

Understanding Reference Numbers

Each Identified part in an illustration has a reference number. The reference number for a part also appears in the parts list, along with other information about the part.

This catalog uses two special reference number formats, one to indicate parts in a service assembly and another to indicate the quantity of a given part in an illustration.

Service Assembly Reference Numbers

Parts in service assemblies have reference numbers in the form a:b. The a represents the reference number of the entire service assembly and the b represents a sequential number unique to each part within the service assembly.

For example, a wheel assembly might be identified by reference number 6, the tire by 6:1, the valve by 6:2, and the wheel by 6:3. When you order the assembly identified by reference number 6, you receive all parts identified by reference numbers 6:1, 6:2, and 6:3. However, you may also order any part individually. Reference numbers of this type appear in illustrations and in part lists.

Reference Numbers Indicating Quantity

In an illustration, if a reference number indicates more than one part, the reference number has the form nX y. The n represents the quantity of the part, the X is the multiplication symbol, and the y represents the reference number.

For example, in an illustration, the reference number 2X 37 means that two of the parts identified by reference number 37 are indicated.

Contents

| Description | Page | Description | Page |
|---|------|--|------|
| Front Frame Assembly | 3 | Cylinder and Crankcase Assembly Kawasaki FH580V-AS14 | 24 |
| Height-of-Cut Assembly | 4 | Piston/Crankshaft Assembly Kawasaki FH580V-AS14 | 25 |
| Main Frame Assembly | 5 | Valve and Camshaft Assembly Kawasaki FH580V-AS14 | 26 |
| Fuel System Assembly | 6 | Lubrication Equipment Assembly Kawasaki FH580V-AS14 | 27 |
| Parking Brake Assembly | 7 | Cooling Equipment Assembly Kawasaki FH580V-AS14 | 28 |
| Motion Control Assembly | 8 | Electrical Equipment Assembly Kawasaki FH580V-AS14 | 29 |
| Hydraulic System Assembly | 9 | Control Equipment Assembly Kawasaki FH580V-AS14 | 30 |
| Pump Idler and Belt Assembly | 11 | Carburetor Assembly Kawasaki FH580V-AS14 | 31 |
| Engine, Clutch and Muffler Assembly | 12 | Air Filter and Muffler Assembly Kawasaki FH580V-AS14 | 32 |
| Deck Mounting Assembly | 13 | Fuel Tank and Valve Assembly Kawasaki FH580V-AS14 | 33 |
| Deck Assembly No. 107-1694 | 14 | Starter Assembly Kawasaki FH580V-AS14 | 34 |
| Idler Assembly | 15 | Decal Assembly Kawasaki FH580V-AS14 | 35 |
| Spindle Assembly No. 107-8504 | 16 | Attachments and Accessories List | 36 |
| Deck Decal Assembly | 17 | | |
| Rubber Deflector Assembly No. 108-2792 | 18 | | |
| Electrical Assembly | 19 | | |
| Seat and Bracket Assembly | 20 | | |
| Seat Assembly No. 107-2116 | 21 | | |
| Roll-Over-Protection-System Assembly | 22 | | |
| Roll-Over-Protection System Assembly No. 107-8093 | 23 | | |

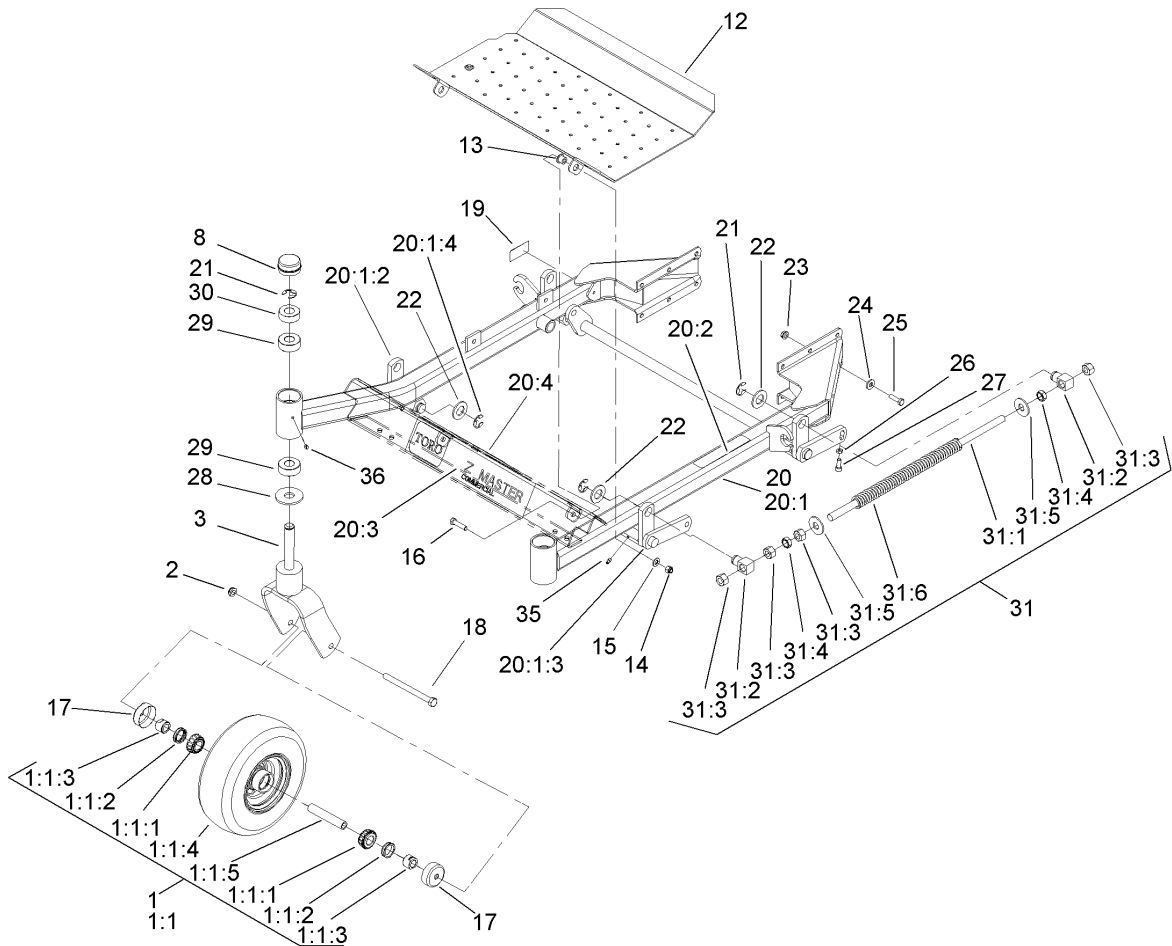
Part Description Abbreviations

Part descriptions in this catalog may include the following abbreviations.

| | |
|--|--|
| AR. as required | HWHTF. hex washer head thread forming |
| ASM. assembly | HYD. hydraulic |
| BBC. Blade Brake Clutch | INC. incorporated |
| CARR. carriage | LH. left hand |
| DEG. degrees | NI. nylon insert |
| EXT. external | NPTF. national pipe thread fine |
| FH. flat head | PPH. phillips pan head |
| GA. gauge | PPHTF. phillips pan head thread forming |
| HF. hex flange | PRH. phillips round head |
| HH. hex head | PTH. phillips truss head |
| HHF. hex head flange | PTO. power take off |
| HHFTF. hex head flange thread forming | RH. right hand |
| HJ. hex jam | ROPS. roll over protection system |
| HLH. hex lag head | SFH. slotted fillister head |
| HOC. height-of-cut | SHH. slotted hex head |
| HSBH. hex socket button head | SHWH. slotted hex washer head |
| HSFH. hex socket flat head | SPH. slotted pan head |
| HSH. hex socket head | SQH. square head |
| HWH. hex washer head | |

Footnotes

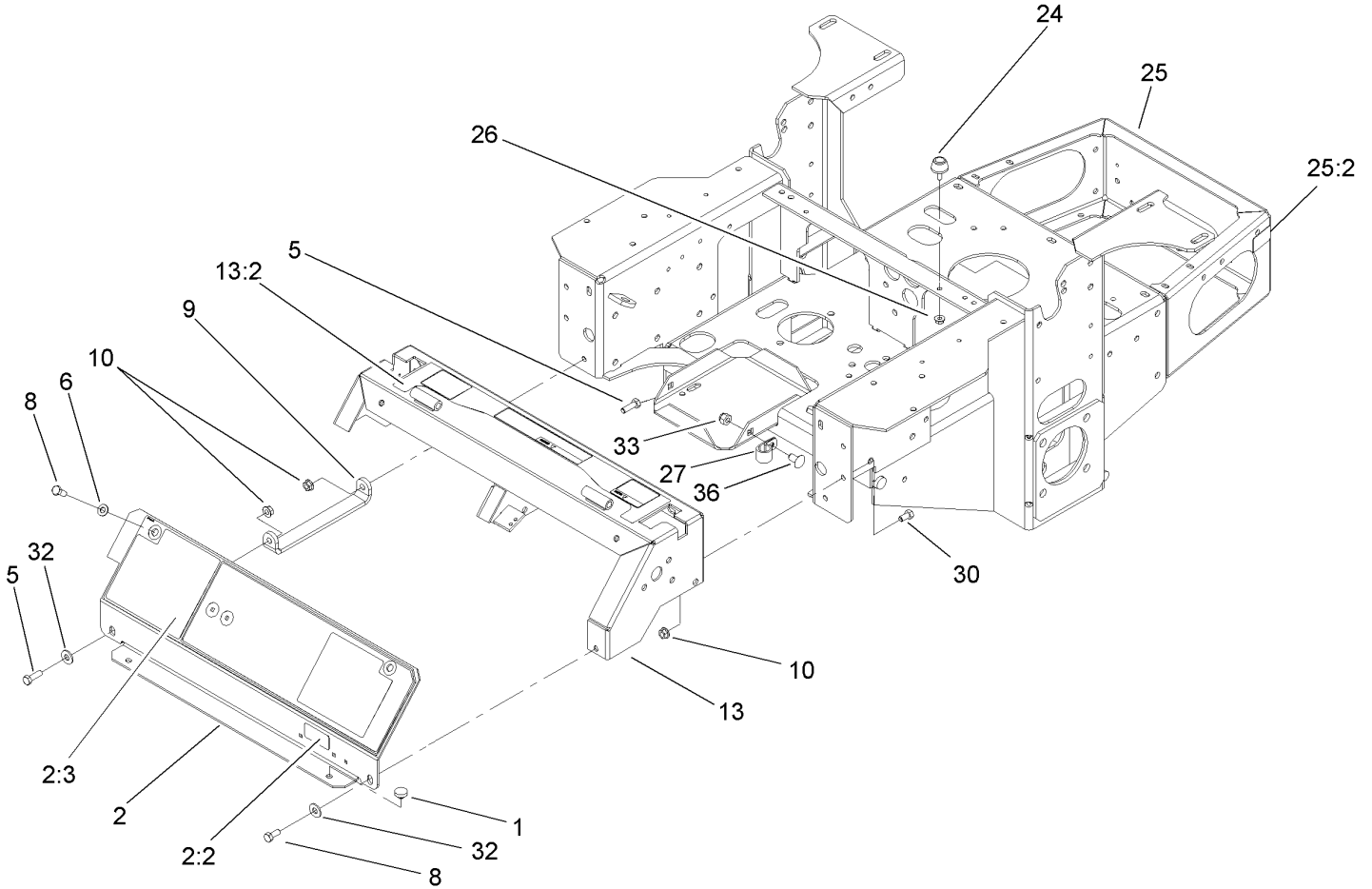
- ❶ Not illustrated
- ❷ Not serviced separately
- ❸ Obtain parts from your local Kawasaki dealer



Front Frame Assembly

| Ref | Part No. | Qty. | Description |
|--------|-------------|------|-----------------------|
| 1 | 103-3800 | 2 | Wheel And Tire ASM |
| ② 1:1 | | 1 | Wheel And Bearing ASM |
| 1:1:1 | 1-633585 | 2 | Bearing-Cone, Taper |
| 1:1:2 | 103-0063 | 2 | Seal-Caster |
| 1:1:3 | 103-3051 | 2 | Spacer-Nut |
| 1:1:4 | 103-3151 | 1 | Wheel And Tire ASM |
| 1:1:5 | 103-3157 | 1 | Axle-Caster |
| 2 | 3296-45 | 2 | Nut-Lock, NI |
| 3 | 106-8796-01 | 2 | Caster Fork ASM |
| 8 | 1-543513 | 2 | Cap-Grease |
| 12 | 108-5007-03 | 1 | Floor Pan |
| 13 | 86-2180 | 2 | Bushing-Flange |
| 14 | 3296-39 | 2 | Nut-Lock, NI |
| 15 | 3256-24 | 2 | Washer-Flat |
| 16 | 323-8 | 2 | Screw-HH |
| 17 | 103-2768 | 4 | Guard-Seal |
| 18 | 325-20 | 2 | Screw-HH |
| 19 | 105-2625 | 1 | Decal-STD, Safety |
| 20 | 108-1130 | 1 | Front Frame ASM |
| ② 20:1 | | 1 | Frame-Front |
| 20:1:2 | 99-3872 | 1 | RH Lift Arm ASM |
| 20:1:3 | 99-3871 | 1 | LH Lift Arm ASM |
| 20:1:4 | 32151-103 | 2 | Ring-Snap |
| 20:2 | 1-633818 | 1 | Decal-Warning |

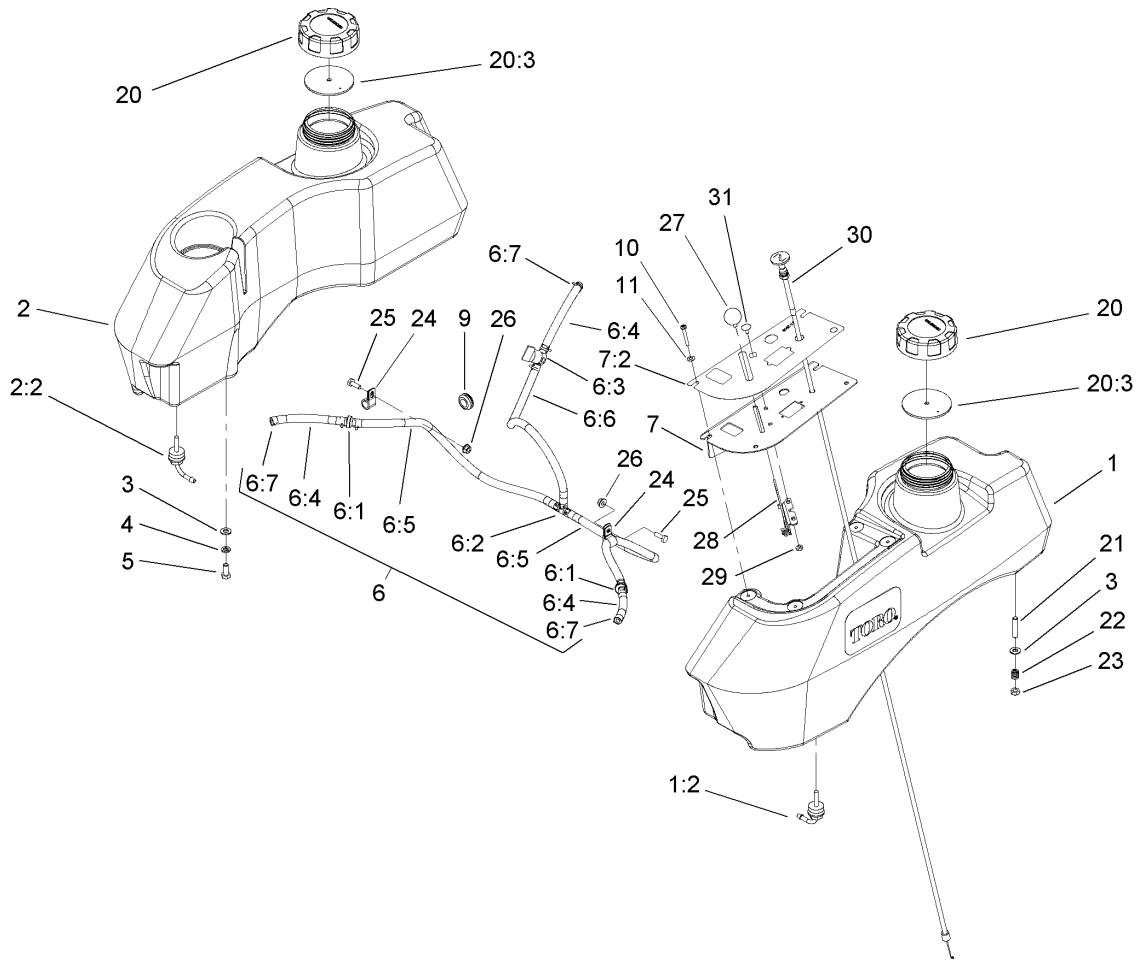
| Ref | Part No. | Qty. | Description |
|------|-----------|------|-------------------------|
| 20:3 | 106-9730 | 1 | Decal |
| 20:4 | 107-2112 | 1 | Decal-Warning |
| 21 | 32151-103 | 6 | Ring-Snap |
| 22 | 3256-29 | 6 | Washer-Flat |
| 23 | 3290-357 | 12 | Nut-HHF |
| 24 | 98-5975 | 12 | Washer-Belleville |
| 25 | 323-7 | 12 | Screw-HH |
| 26 | 3218-2 | 2 | Nut-Jam |
| 27 | 3274-18 | 2 | Screw-HSH |
| 28 | 104-1105 | 2 | Spacer-Support, Deck |
| 29 | 108-1059 | 4 | Bushing |
| 30 | 108-2654 | 2 | Spacer |
| 31 | 1-634439 | 2 | Front Frame Spring ASM |
| 31:1 | 1-633096 | 1 | Rod-Lift, Deck |
| 31:2 | 1-633441 | 2 | Swivel-Deck Mount, Rear |
| 31:3 | 3217-11 | 4 | Nut-Hex |
| 31:4 | 3218-6 | 2 | Nut-Jam |
| 31:5 | 3256-7 | 2 | Washer-Flat |
| 31:6 | 1-633064 | 1 | Spring-Support, Deck |
| 35 | 302-19 | 4 | Fitting-Grease |
| 36 | 302-5 | 2 | Fitting-Grease |



Main Frame Assembly

| Ref | Part No. | Qty. | Description |
|------|-------------|------|-----------------------|
| 1 | 1-513658 | 2 | Bumper |
| 2 | 108-1864 | 1 | Panel ASM |
| 2:2 | 98-4387 | 1 | Decal-Protection, Ear |
| 2:3 | 107-8445 | 1 | Decal-Cover, Panel |
| 5 | 322-5 | 2 | Screw-HH |
| 6 | 3256-23 | 2 | Washer-Flat |
| 8 | 322-3 | 3 | Screw-HH |
| 9 | 1-653089-03 | 1 | Bracket |
| 10 | 32128-20 | 6 | Nut-HF |
| 13 | 108-5997 | 1 | Console ASM |
| 13:2 | 108-5995 | 1 | Decal-Warning |
| 24 | 1-523420 | 2 | Bumper |
| 25 | 108-2782 | 1 | Main Frame ASM |
| 25:2 | 65-2690 | 1 | Decal-Surface, Hot |
| 26 | 32128-33 | 2 | Nut-HF |
| 27 | 1-633396 | 1 | Clip-Loom |
| 30 | 322-2 | 4 | Screw-HH |
| 32 | 3256-3 | 2 | Washer-Flat |
| 33 | 3296-39 | 1 | Nut-Lock, NI |
| 36 | 3231-21 | 1 | Screw-CARR |

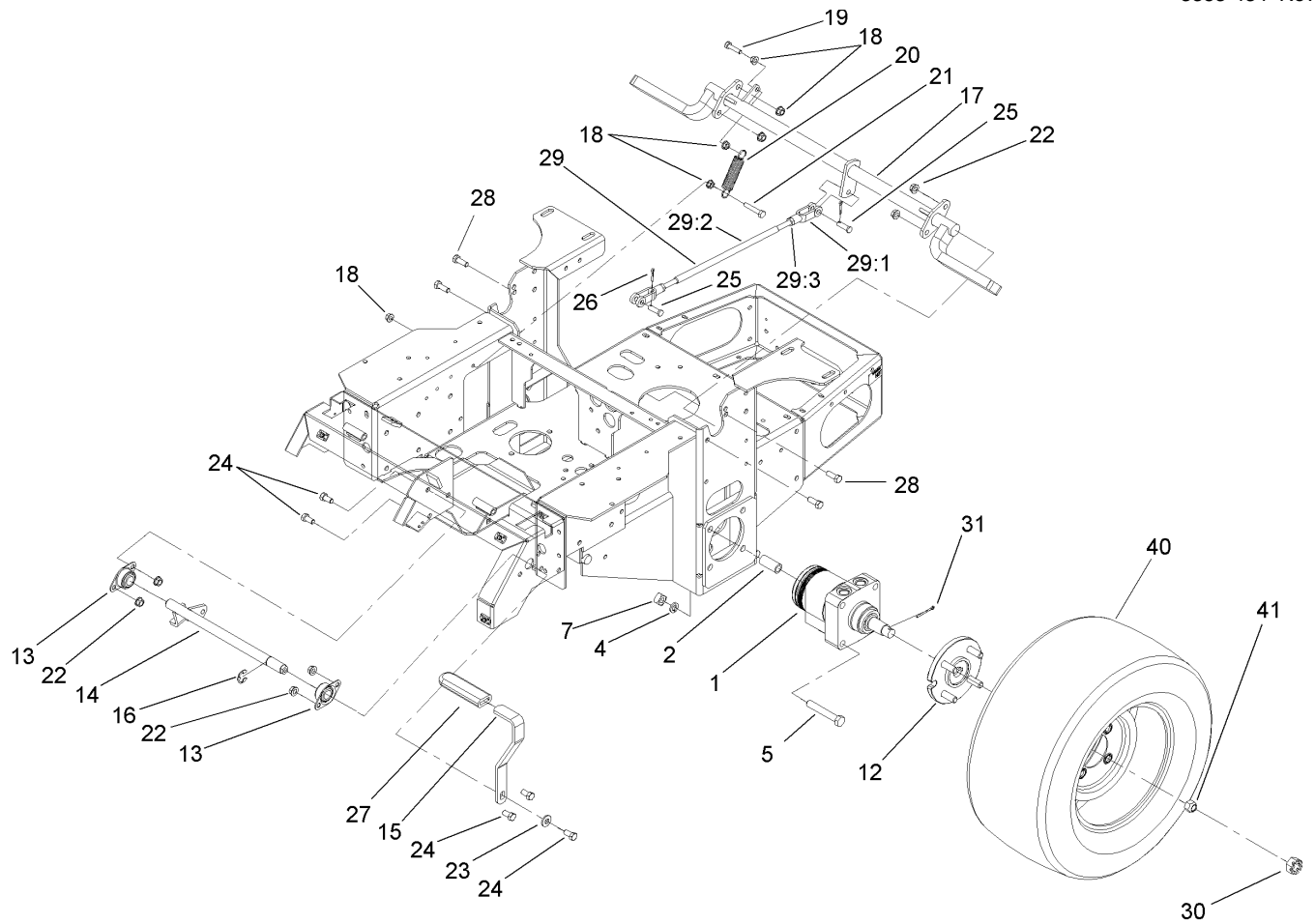
| | | | |
|--|--|--|--|
| | | | |
| | | | |
| | | | |
| | | | |



Fuel System Assembly

| Ref | Part No. | Qty. | Description |
|------|----------|------|------------------------|
| 1 | 107-2146 | 1 | LH Fuel Tank ASM |
| 1:2 | 103-2605 | 1 | Fitting-Fuel, Bulkhead |
| 2 | 106-9975 | 1 | RH Fuel Tank ASM |
| 2:2 | 103-2605 | 1 | Fitting-Fuel, Bulkhead |
| 3 | 3256-23 | 8 | Washer-Flat |
| 4 | 1-805005 | 4 | Washer-Lock |
| 5 | 322-3 | 4 | Screw-HH |
| 6 | | 1 | Fuel Line ASM |
| 6:1 | 99-5000 | 2 | Valve-Check, Fuel |
| 6:2 | 99-5005 | 1 | Fitting-Tee, Barbed |
| 6:3 | 1-603770 | 1 | Valve-Fuel |
| 6:4 | 99-7190 | 3 | Hose-Fuel |
| 6:5 | 99-3185 | 2 | Hose-Fuel |
| 6:6 | 106-8720 | 1 | Hose-Fuel |
| 6:7 | 1-303077 | 12 | Clamp |
| 7 | 107-2149 | 1 | Control Panel ASM |
| 7:2 | 107-2148 | 1 | Decal-Panel, Control |
| 9 | 1-543296 | 2 | Grommet |
| 10 | 32122-30 | 4 | Screw-PTH |
| 11 | 1-303435 | 4 | Washer-Spring |
| 20 | 88-3980 | 2 | Gas Cap ASM |
| 20:3 | 88-4010 | 1 | Gasket-Cap, Gas |
| 21 | 1-633023 | 4 | Stud |
| 22 | 1-633349 | 4 | Spring-Tank, Fuel |

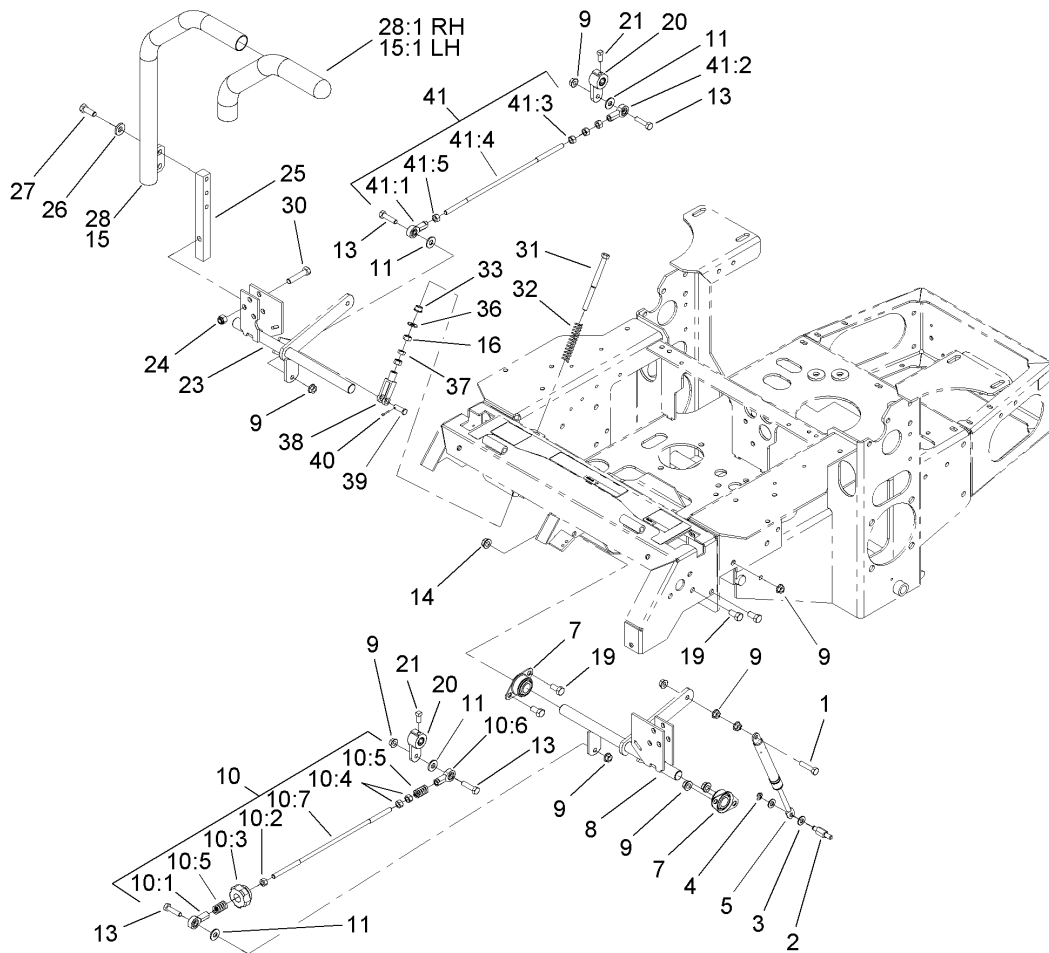
| Ref | Part No. | Qty. | Description |
|-----|----------|------|--------------------|
| 23 | 3296-47 | 4 | Nut-Lock, NI |
| 24 | 1-513762 | 4 | Clip-Loom |
| 25 | 321-4 | 2 | Screw-HH |
| 26 | 32128-33 | 2 | Nut-HF |
| 27 | 1-513592 | 1 | Knob-Ball |
| 28 | 1-633696 | 1 | Throttle Cable ASM |
| 29 | 3296-2 | 2 | Nut-Lock |
| 30 | 1-603336 | 1 | Control-Choke |
| 31 | 1-807513 | 2 | Bolt-CARR |



Parking Brake Assembly

| Ref | Part No. | Qty. | Description |
|-------|-------------|------|----------------------|
| 1 | 103-4695 | 2 | Motor-Wheel |
| ❶ 1:1 | 1-000119 | 1 | Seal Kit |
| ❶ 1:2 | 1-000138 | 1 | Bearing Kit |
| 2 | 103-4042 | 8 | Spacer-Motor, Wheel |
| 4 | 3253-7 | 8 | Washer-Lock |
| 5 | 325-18 | 8 | Screw-HH |
| 7 | 103-0131 | 8 | Nut-Square |
| 12 | 1-602997 | 2 | Hub W/Studs |
| 13 | 1-633102 | 2 | Bearing-Flange, Side |
| 14 | 103-3116 | 1 | Shaft-Brake, Parking |
| 15 | 1-653074-03 | 1 | Handle-Brake, Park |
| 16 | 32151-48 | 1 | E-Ring |
| 17 | 103-3960-03 | 1 | Brake |
| 18 | 32128-20 | 4 | Nut-HF |
| 19 | 322-6 | 1 | Screw-HH |
| 20 | 1-323161 | 1 | Spring-Idler |
| 21 | 322-9 | 1 | Screw-HH |
| 22 | 3290-357 | 8 | Nut-HHF |
| 23 | 98-5975 | 1 | Washer-Belleville |
| 24 | 323-4 | 5 | Screw-HH |
| 25 | 1-808285 | 2 | Pin-Clevis |
| 26 | 3272-10 | 2 | Pin-Cotter |
| 27 | 1-633268 | 1 | Grip-Lever, Brake |
| 28 | 323-6 | 4 | Screw-HH |

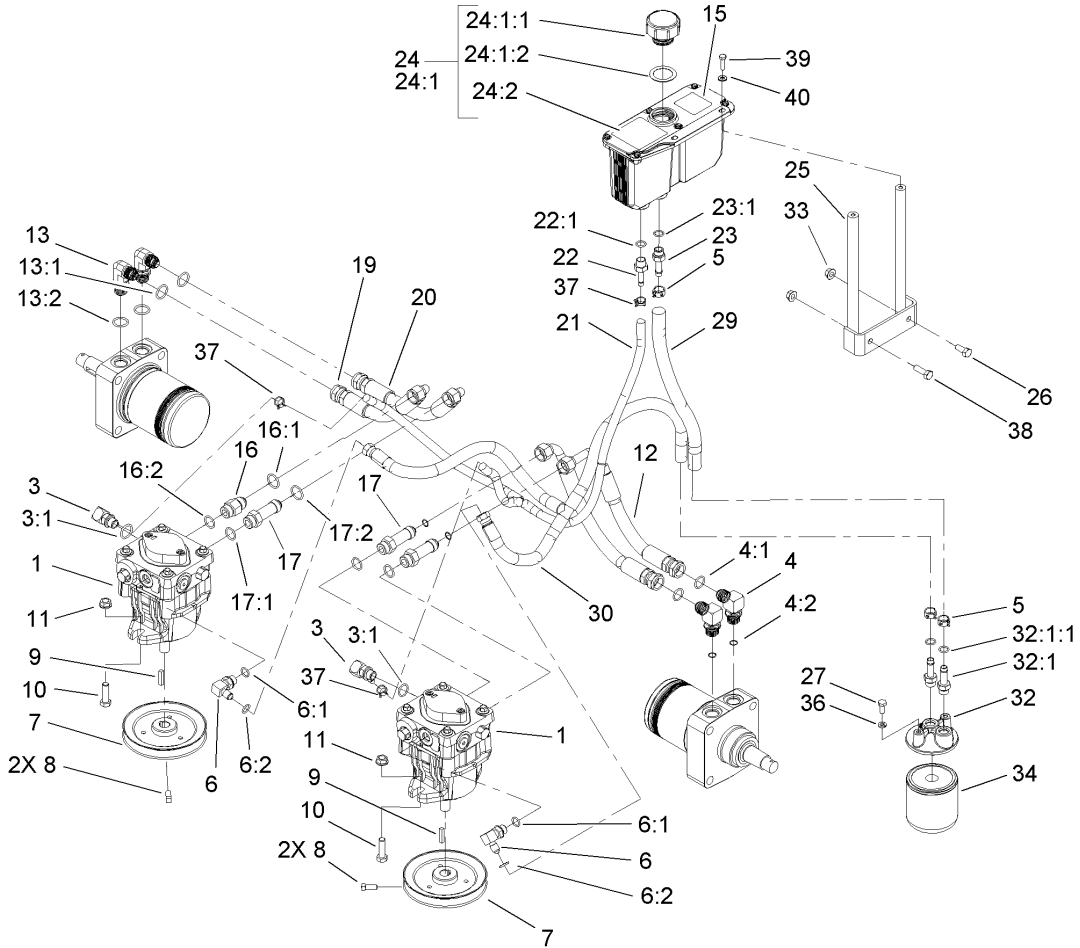
| Ref | Part No. | Qty. | Description |
|------|----------|------|-----------------------|
| 29 | 103-4335 | 1 | Brake Rod ASM |
| 29:1 | 1-633131 | 2 | Yoke-Linkage, Brake |
| 29:2 | 103-3907 | 1 | Linkage-Handle, Brake |
| 29:3 | 3219-3 | 2 | Nut-Hex |
| 30 | 32136-5 | 2 | Nut-Hex, Slotted |
| 31 | 1-806800 | 2 | Pin-Cotter |
| 40 | 1-543396 | 2 | Wheel And Tire ASM |
| 41 | 242-50 | 8 | Nut-Lug |



Motion Control Assembly

| Ref | Part No. | Qty. | Description |
|------|----------|------|------------------------|
| 1 | 1-403180 | 2 | Screw-HH |
| 2 | 103-4101 | 2 | Pin-Damper |
| 3 | 3256-23 | 4 | Washer-Flat |
| 4 | 32120-35 | 2 | E-Ring |
| 5 | 103-4079 | 2 | Damper-Control, Motion |
| 7 | 1-633102 | 4 | Bearing-Flange, Side |
| 8 | 103-4774 | 1 | Control-Motion, LH |
| 9 | 32128-20 | 12 | Nut-HF |
| 10 | 103-4326 | 1 | Tracking Rod ASM |
| 10:1 | 1-543017 | 1 | Balljoint-RH |
| 10:2 | 3219-2 | 1 | Nut-Hex |
| 10:3 | 103-3060 | 1 | Knob-Tracking |
| 10:4 | 1-804524 | 2 | Nut |
| 10:5 | 1-323245 | 2 | Spring-Compression |
| 10:6 | 1-633152 | 1 | Balljoint-Thread, LH |
| 10:7 | 103-3066 | 1 | Link-Rod, Tracking |
| 11 | 3256-3 | 4 | Washer-Flat |
| 13 | 322-6 | 4 | Screw-HH |
| 14 | 3290-357 | 6 | Nut-HHF |
| 15 | 103-0631 | 1 | LH Lever ASM |
| 15:1 | 1-633257 | 1 | Grip-Control, Motion |
| 16 | 3219-2 | 4 | Nut-Hex |
| 19 | 323-4 | 6 | Screw-HH |
| 20 | 103-3717 | 2 | Arm-Control |

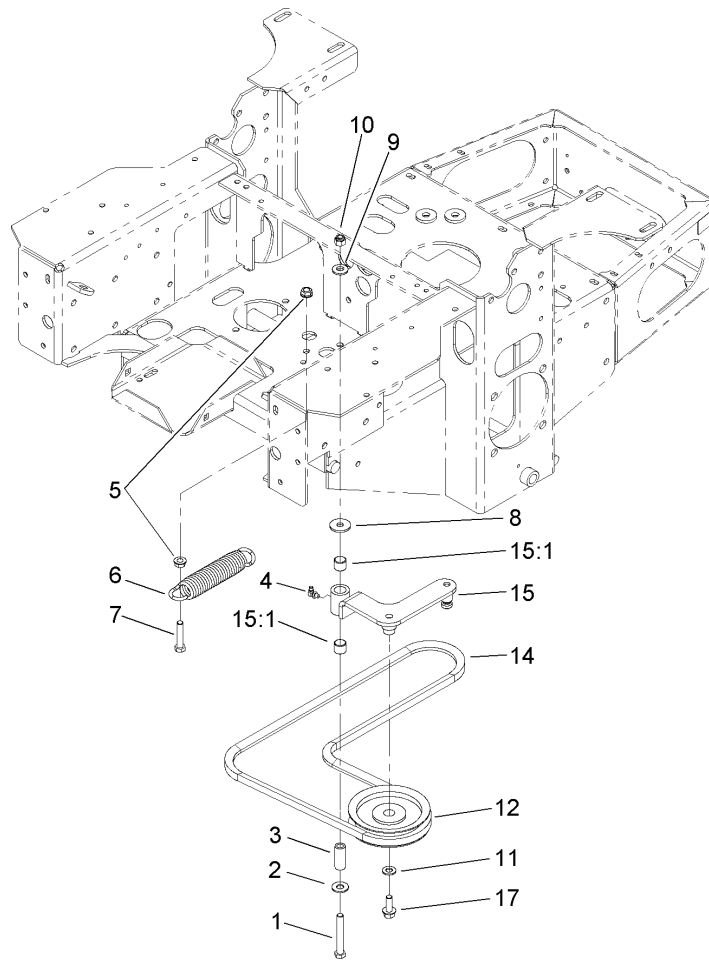
| Ref | Part No. | Qty. | Description |
|------|----------|------|------------------------|
| 21 | 1-803022 | 2 | Screw-Set |
| 23 | 103-4773 | 1 | Control-Motion, RH |
| 24 | 3296-39 | 6 | Nut-Lock, NI |
| 25 | 103-0407 | 2 | Arm-Shaft, Control |
| 26 | 98-5975 | 4 | Washer-Belleville |
| 27 | 323-6 | 4 | Screw-HH |
| 28 | 103-0632 | 1 | RH Lever ASM |
| 28:1 | 1-633257 | 1 | Grip-Control, Motion |
| 30 | 323-9 | 6 | Screw-HH |
| 31 | 1-603737 | 2 | Bolt-Return, Neutral |
| 32 | 1-603807 | 2 | Spring-Return, Neutral |
| 33 | 1-603735 | 2 | Bushing-Flanged |
| 36 | 3256-2 | 2 | Washer-Flat |
| 37 | 3220-2 | 2 | Nut-Jam |
| 38 | 1-303105 | 2 | Yoke-Adjustable |
| 39 | 1-808280 | 2 | Pin-Clevis |
| 40 | 3272-5 | 2 | Pin-Cotter |
| 41 | 103-4327 | 1 | Tracking ASM |
| 41:1 | 1-543017 | 1 | Balljoint-RH |
| 41:2 | 1-633152 | 1 | Balljoint-Thread, LH |
| 41:3 | 1-804524 | 1 | Nut |
| 41:4 | 103-3066 | 1 | Link-Rod, Tracking |
| 41:5 | 3219-2 | 3 | Nut-Hex |



Hydraulic System Assembly

| Ref | Part No. | Qty. | Description |
|------|----------|------|-----------------------|
| 1 | 103-4040 | 2 | Pump-HYD |
| 3 | 103-1799 | 2 | Elbow-90 DEG |
| 3:1 | 237-42 | 1 | O-Ring |
| 4 | 103-2153 | 2 | Fitting-90 DEG |
| 4:1 | 1-603920 | 1 | O-Ring |
| 4:2 | 1-603992 | 1 | O-Ring |
| 5 | 103-1988 | 3 | Clamp-Hose |
| 6 | 103-1802 | 2 | Fitting-HYD, 90 DEG |
| 6:1 | 1-603921 | 1 | O-Ring |
| 6:2 | 237-42 | 1 | O-Ring |
| 7 | 1-653156 | 2 | Pulley |
| 8 | 1-803050 | 2 | Screw-Set |
| 9 | 1-807272 | 2 | Key |
| 10 | 323-7 | 4 | Screw-HH |
| 11 | 3290-357 | 5 | Nut-HHF |
| 12 | 103-4022 | 1 | Hose-Rear, LH |
| 13 | 103-4797 | 2 | Elbow-90 DEG |
| 13:1 | 1-603920 | 1 | O-Ring |
| 13:2 | 1-603992 | 1 | O-Ring |
| 15 | 103-2644 | 1 | Decal-Exhaust |
| 16 | 103-4020 | 1 | Adapter-Straight |
| 16:1 | 1-603920 | 1 | O-Ring |
| 16:2 | 1-603992 | 1 | O-Ring |
| 17 | 103-1940 | 3 | Adapter-HYD, Straight |

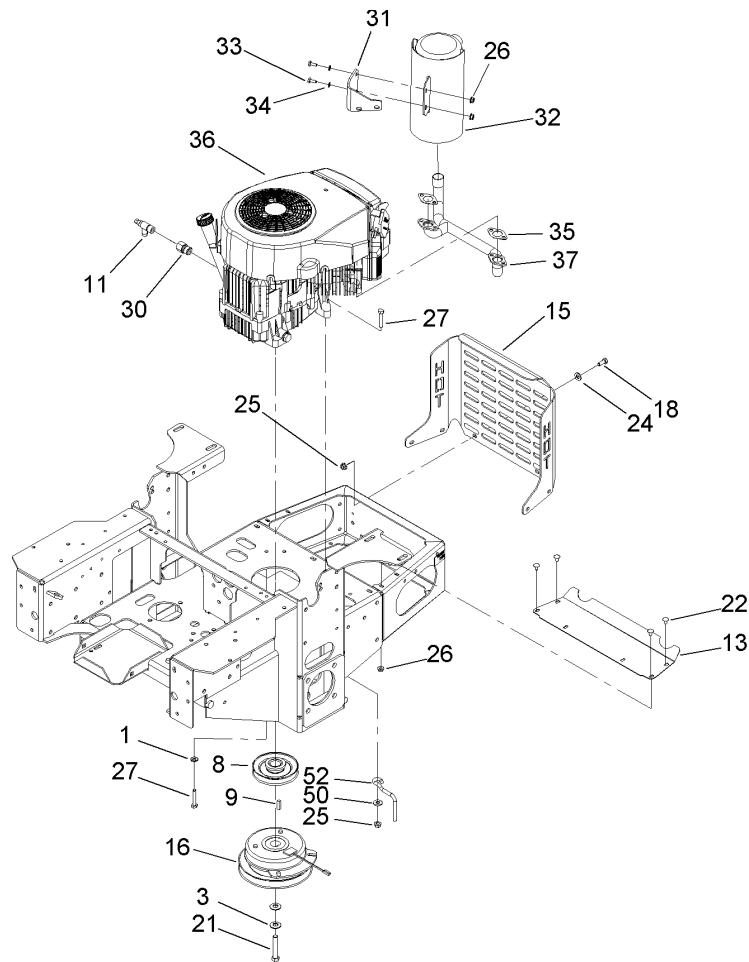
| Ref | Part No. | Qty. | Description |
|--------|-------------|------|--------------------|
| 17:1 | 237-79 | 1 | O-Ring |
| 17:2 | 1-603992 | 1 | O-Ring |
| 19 | 103-4021 | 1 | Hose-Rear, RH |
| 20 | 1-653187 | 2 | Hose-Rear, RH |
| 21 | 103-2357 | 1 | HYD Hose ASM |
| 22 | 103-1801 | 1 | Adapter-Straight |
| 22:1 | 237-42 | 1 | O-Ring |
| 23 | 103-1912 | 1 | Adapter-Straight |
| 23:1 | 237-42 | 1 | O-Ring |
| 24 | 103-1947 | 1 | HYD Reservoir ASM |
| 24:1 | | 1 | Reservoir-HYD |
| 24:1:1 | 103-1948 | 1 | Cap-Reservoir, HYD |
| 24:1:2 | 103-1949 | 1 | Gasket-Cap |
| 24:2 | 1-523552 | 1 | Decal-Tank, HYD |
| 25 | 103-3071-03 | 1 | Stand-Reservoir |
| 26 | 322-3 | 1 | Screw-HH |
| 27 | 321-3 | 2 | Screw-HH |
| 29 | 103-3077 | 1 | HYD Hose ASM |
| 30 | 103-2930 | 1 | HYD Hose ASM |
| 32 | 103-2889 | 1 | Filter Head ASM |
| 32:1 | 103-1912 | 2 | Adapter-Straight |
| 32:1:1 | 237-42 | 1 | O-Ring |
| 33 | 32128-20 | 2 | Nut-HF |
| 34 | 1-633752 | 1 | Filter-HYD, Winter |



Pump Idler and Belt Assembly

| Ref | Part No. | Qty. | Description |
|------|----------|------|-------------------|
| 1 | 323-13 | 1 | Screw-HH |
| 2 | 3256-4 | 1 | Washer-Flat |
| 3 | 1-603044 | 1 | Bushing |
| 4 | 302-40 | 1 | Fitting-Grease |
| 5 | 3290-357 | 2 | Nut-HHF |
| 6 | 103-4480 | 1 | Spring-Extension |
| 7 | 323-9 | 1 | Screw-HH |
| 8 | 63-8410 | 1 | Washer |
| 9 | 98-5975 | 1 | Washer-Belleville |
| 10 | 3296-39 | 1 | Nut-Lock, NI |
| 11 | 3256-24 | 1 | Washer-Flat |
| 12 | 1-603843 | 1 | Pulley-Idler |
| 14 | 107-3959 | 1 | Belt-Cog |
| 15 | 103-4482 | 1 | Idler Arm ASM |
| 15:1 | 103-4681 | 2 | Sleeve-Bearing |
| 17 | 3234-11 | 1 | Screw-HHF |

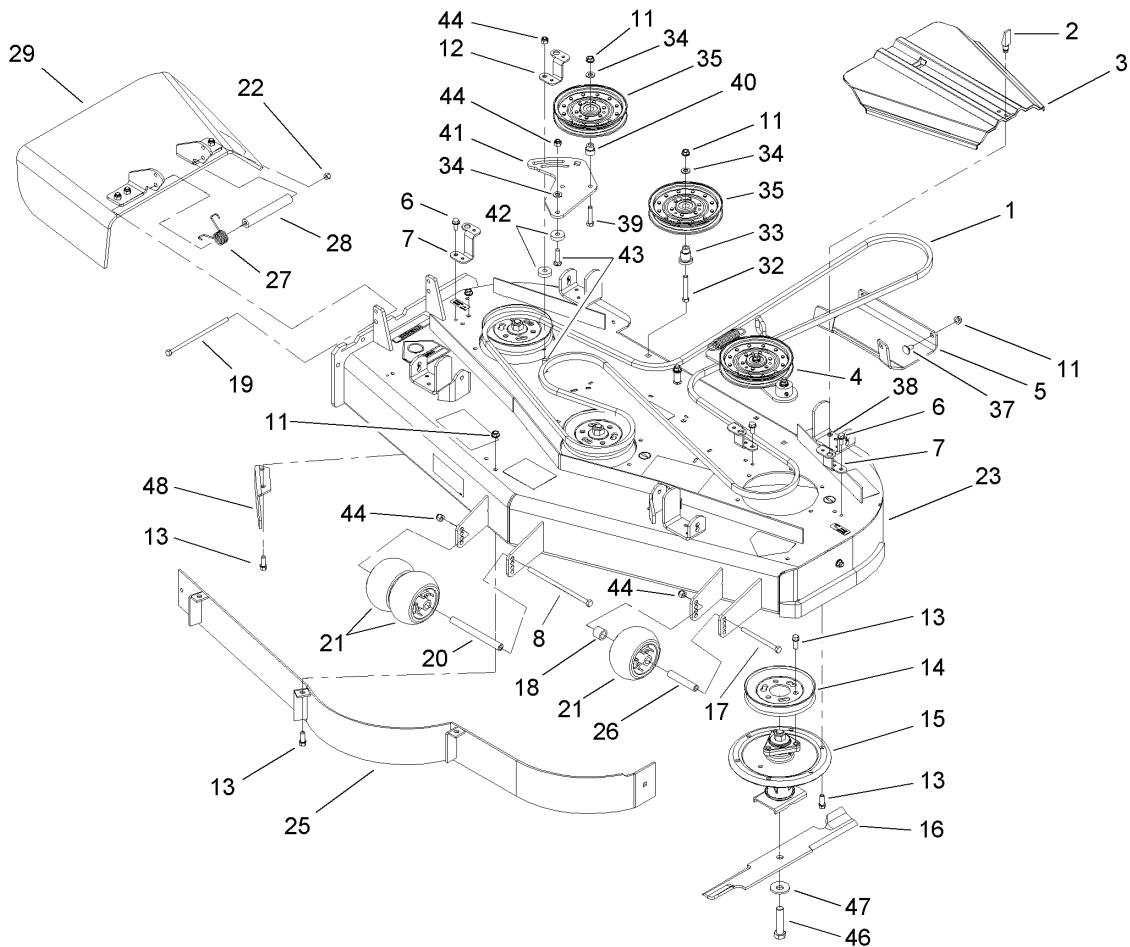
| | | | |
|--|--|--|--|
| | | | |
|--|--|--|--|



Engine, Clutch and Muffler Assembly

| Ref | Part No. | Qty. | Description |
|-----|-------------|------|------------------------------|
| 1 | 1-303334 | 4 | Washer-Spring |
| 3 | 1-603610 | 2 | Washer-Spring |
| 8 | 1-653035 | 1 | Pulley |
| 9 | 1-807259 | 1 | Key |
| 11 | 103-1965 | 1 | Valve-Drain, Oil |
| 13 | 103-2740-03 | 1 | Deflector-Short |
| 15 | 103-4048-03 | 1 | Bumper-Rear |
| 16 | 104-3624 | 1 | Clutch |
| 18 | 322-3 | 6 | Screw-HH |
| 21 | 3212-10 | 1 | Screw-HH |
| 22 | 3229-10 | 4 | Screw-CARR |
| 24 | 3256-24 | 6 | Washer-Flat |
| 25 | 32128-20 | 11 | Nut-HF |
| 26 | 32128-33 | 6 | Nut-HF |
| 27 | 322-9 | 5 | Screw-HH |
| 30 | 103-1966 | 1 | Adapter |
| 31 | 103-4578-03 | 1 | Bracket-Muffler |
| 32 | 103-5298 | 1 | Muffler |
| 33 | 321-3 | 2 | Screw-HH |
| 34 | 1-303435 | 2 | Washer-Spring |
| 35 | 1-653290 | 2 | Gasket |
| 36 | | 1 | Engine-Kawasaki, FH580V-As14 |
| 37 | 103-4577 | 1 | Manifold-Exhaust |
| 50 | 3256-3 | 1 | Washer-Flat |

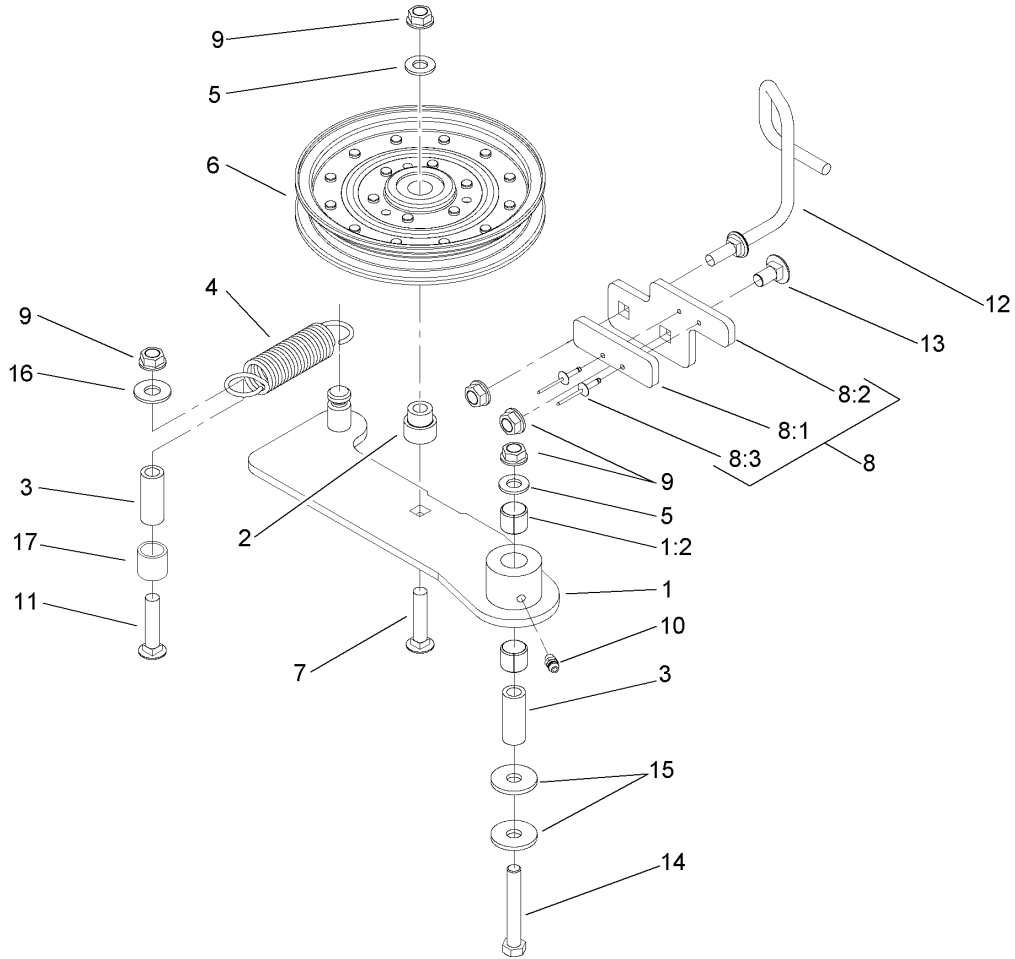
| Ref | Part No. | Qty. | Description |
|-----|----------|------|-------------|
| 52 | 108-1058 | 1 | Rod-Belt |



Deck Assembly No. 107-1694

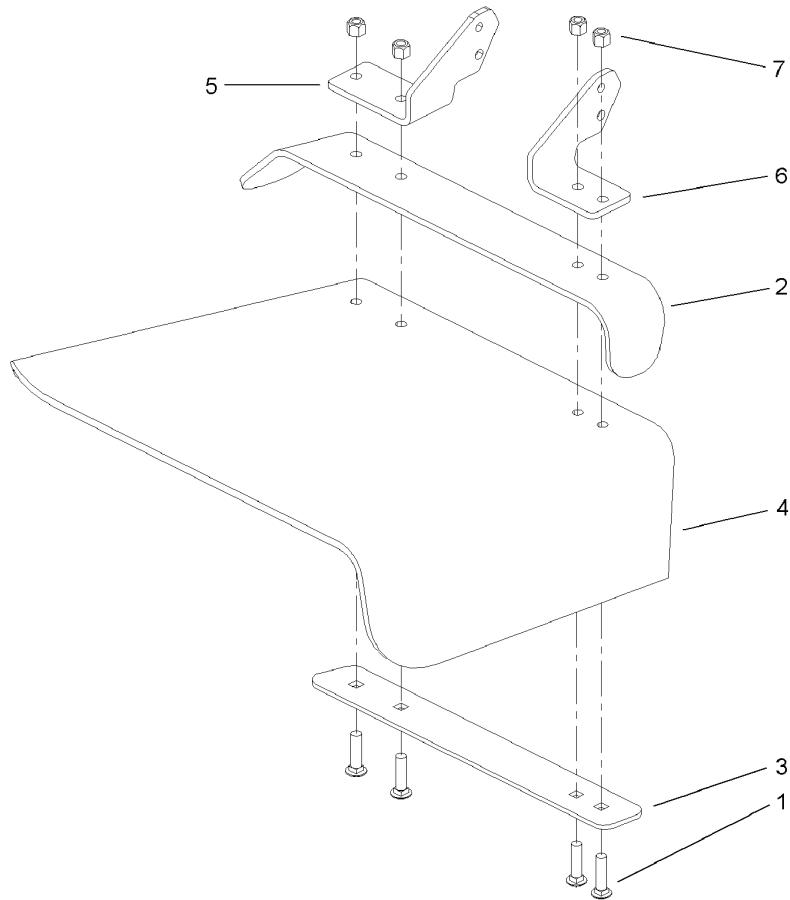
| Ref | Part No. | Qty. | Description |
|-----|-------------|------|----------------------|
| 1 | 106-7369 | 1 | Belt-V |
| 2 | 74-5950 | 2 | Latch-Swell |
| 3 | 107-8536 | 2 | Cover-Belt |
| 4 | | 1 | Spring Idler ASM |
| 5 | 106-7358-01 | 1 | Plate-Skid |
| 6 | 32144-70 | 3 | Screw-HH |
| 7 | 108-2177-01 | 4 | Bracket-Cover, Tall |
| 8 | 323-28 | 1 | Screw-HH |
| 11 | 3290-357 | 36 | Nut-HHF |
| 12 | 108-2178-01 | 1 | Bracket-Cover, Short |
| 13 | 92-1624 | 32 | Screw |
| 14 | 107-1683 | 3 | Pulley |
| 15 | 107-8504 | 3 | Spindle ASM |
| 16 | 105-7781-03 | 3 | Blade-Hi Flow |
| 17 | 323-23 | 1 | Screw-HH |
| 18 | 98-7913 | 1 | Tube-Spacer |
| 19 | 322-50 | 1 | Screw-HH |
| 20 | 98-5967 | 1 | Spacer-Wheel |
| 21 | 1-603299 | 3 | Roller-Scalp, Anti |
| 22 | 3296-29 | 1 | Nut-Lock, NI |
| 23 | 107-1693 | 1 | Deck Decal ASM |
| 25 | 108-2185-01 | 1 | Baffle ASM |
| 26 | 98-7912 | 1 | Tube-Spanner |
| 27 | 108-4052 | 1 | Spring-Torsion |

| Ref | Part No. | Qty. | Description |
|-----|-------------|------|--------------------------|
| 28 | 105-4622 | 1 | Spacer |
| 29 | 108-2792 | 1 | Rubber Deflector ASM |
| 32 | 323-12 | 1 | Screw-HH |
| 33 | 106-3214 | 1 | Mount-Pulley |
| 34 | 3256-24 | 3 | Washer-Flat |
| 35 | 1-633109 | 2 | Idler-Flat |
| 37 | 3231-1 | 11 | Screw-CARR |
| 38 | 99-3058 | 2 | Washer |
| 39 | 323-9 | 1 | Screw-HH |
| 40 | 1-603496 | 1 | Bushing-Idler |
| 41 | 107-8516-01 | 1 | Plate-Idler |
| 42 | 105-7788 | 2 | Spacer |
| 43 | 3231-4 | 2 | Screw-CARR |
| 44 | 3296-39 | 4 | Nut-Lock, NI |
| 46 | 103-0862 | 3 | Screw-Cap |
| 47 | 103-0865 | 3 | Washer-Blade Bolt, Heavy |
| 48 | 106-3216-01 | 1 | Baffle-Discharge |
| 99 | 105-7779-03 | 1 | Blade-Recycler |
| 99 | 105-7794-03 | 1 | Blade-Med Flow |
| 99 | 105-7795-03 | 1 | Blade-Low Flow |
| 99 | 105-7796-03 | 1 | Blade-Atomic |



Idler Assembly

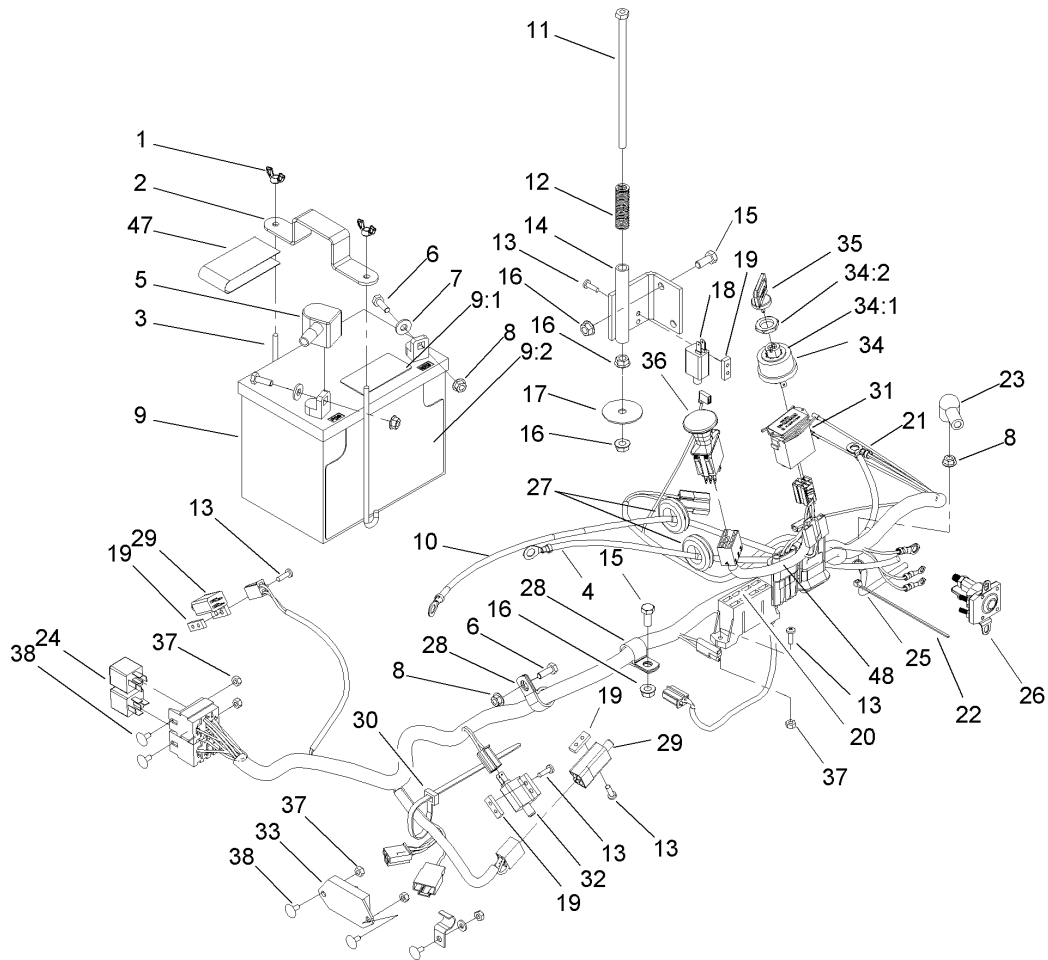
| Ref | Part No. | Qty. | Description | | | |
|-----|-------------|------|------------------|--|--|--|
| 1 | 108-4062 | 1 | Idler Arm ASM | | | |
| 1:2 | 103-4681 | 2 | Sleeve-Bearing | | | |
| 2 | 1-603496 | 1 | Bushing-Idler | | | |
| 3 | 1-603044 | 2 | Bushing | | | |
| 4 | 108-4056 | 1 | Spring-Extension | | | |
| 5 | 3256-24 | 2 | Washer-Flat | | | |
| 6 | 1-633109 | 1 | Idler-Flat | | | |
| 7 | 3231-6 | 1 | Screw-CARR | | | |
| 8 | | 1 | Stop Pad ASM | | | |
| 8:1 | 106-3229 | 1 | Pad-Bumper | | | |
| 8:2 | 107-1697-01 | 1 | Plate-Stop | | | |
| 8:3 | 3269-24 | 2 | Rivet | | | |
| 9 | 3290-357 | 5 | Nut-HHF | | | |
| 10 | 302-5 | 1 | Fitting-Grease | | | |
| 11 | 3231-31 | 1 | Screw-CARR | | | |
| 12 | 108-4072 | 1 | Guide-Belt | | | |
| 13 | 3231-1 | 1 | Screw-CARR | | | |
| 14 | 323-12 | 1 | Screw-HH | | | |
| 15 | 2844 | 2 | Washer | | | |
| 16 | 3256-4 | 1 | Washer-Flat | | | |
| 17 | 108-4063 | 1 | Spacer-Rubber | | | |



Rubber Deflector Assembly No. 108-2792

| Ref | Part No. | Qty. | Description |
|-----|-------------|------|--------------------|
| 1 | 3231-4 | 4 | Screw-CARR |
| 2 | 106-3246-01 | 1 | Deflector |
| 3 | 106-3248-03 | 1 | Strap-Discharge |
| 4 | 108-5029 | 1 | Deflector-Rubber |
| 5 | 108-4059-01 | 1 | Plate-Hinge, Rear |
| 6 | 106-3253-01 | 1 | Plate-Hinge, Front |
| 7 | 3296-39 | 4 | Nut-Lock, NI |

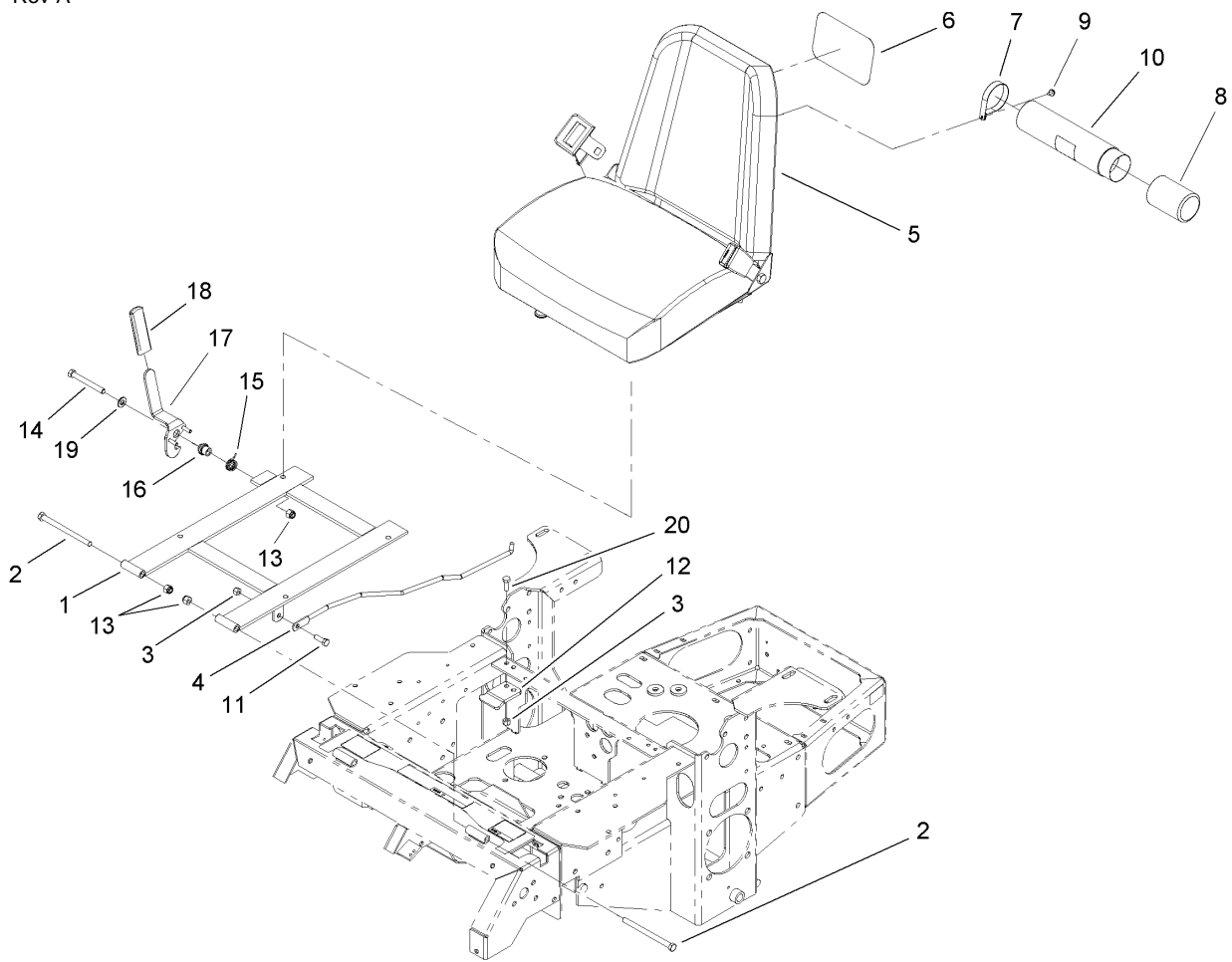
| | | | |
|--|--|--|--|
| | | | |
|--|--|--|--|



Electrical Assembly

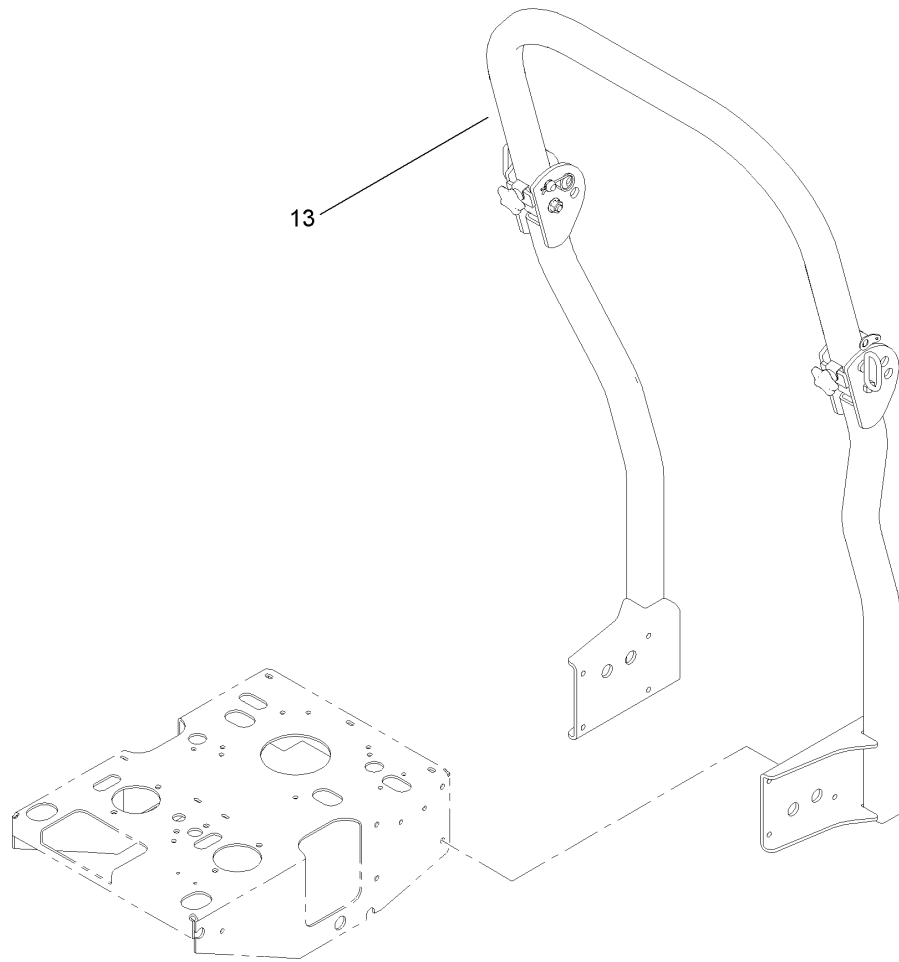
| Ref | Part No. | Qty. | Description |
|-----|-------------|------|-------------------------|
| 1 | 1-543792 | 2 | Wingnut |
| 2 | 1-633652-03 | 1 | Strap-Holddown |
| 3 | 1-633651 | 2 | Bolt-Holddown |
| 4 | 103-0705 | 1 | Cable-Ground, Negative |
| 5 | 1-543391 | 1 | Insulator-Battery |
| 6 | 321-4 | 5 | Screw-HH |
| 7 | 3256-2 | 2 | Washer-Flat |
| 8 | 32128-33 | 6 | Nut-HF |
| 9 | 105-1692 | 1 | Battery |
| 9:1 | 104-4163 | 1 | Decal-Battery |
| 9:2 | 104-4164 | 1 | Decal-Battery |
| 10 | 103-0707 | 1 | Cable-Battery, Positive |
| 11 | 1-800282 | 1 | Screw-HH |
| 12 | 1-523415 | 1 | Spring-Switch, Seat |
| 13 | 1-803075 | 10 | Screw-Head, Truss |
| 14 | 1-652072-03 | 1 | Bracket-Switch, Seat |
| 15 | 322-3 | 3 | Screw-HH |
| 16 | 32128-20 | 5 | Nut-HF |
| 17 | 1-653036 | 1 | Washer |
| 18 | 1-513152 | 1 | Switch-Closed, Normally |
| 19 | 1-633181 | 4 | Plate-Tapped |
| 20 | 1-816001 | 2 | Fuse-Blade Type, 20 Amp |
| 21 | 107-8051 | 1 | Harness-Electrical |
| 22 | 1-303287 | 4 | Tie-Plastic |

| Ref | Part No. | Qty. | Description |
|------|----------|------|-----------------------------------|
| 23 | 1-543393 | 3 | Insulator-Solenoid |
| 24 | 1-643275 | 2 | Relay |
| 25 | 1-633306 | 1 | Wire-Starter |
| 26 | 1-513075 | 1 | Switch-Solenoid |
| 27 | 1-543286 | 3 | Grommet |
| 28 | 1-633396 | 2 | Clip-Loom |
| 29 | 1-513051 | 2 | Switch-Open, Normally |
| 30 | 1-303335 | 4 | Tie-Plastic |
| 31 | 1-513374 | 1 | Meter-Hour |
| 32 | 1-633111 | 1 | Switch |
| 33 | 100-6186 | 1 | Module-Delay, Seat |
| 34 | 88-9830 | 1 | Key Switch ASM |
| 34:1 | 3254-5 | 1 | Washer-Tooth |
| 34:2 | 218-461 | 1 | Nut-HH |
| 35 | 63-8360 | 2 | Key-Ignition |
| 36 | 1-633673 | 1 | Switch-Delta |
| 37 | 3296-2 | 6 | Nut-Lock |
| 38 | 1-807513 | 4 | Bolt-CARR |
| 47 | 107-9309 | 1 | Decal-Instructions, Charging |
| 48 | 107-8054 | 1 | Harness-Electrical, Control Panel |



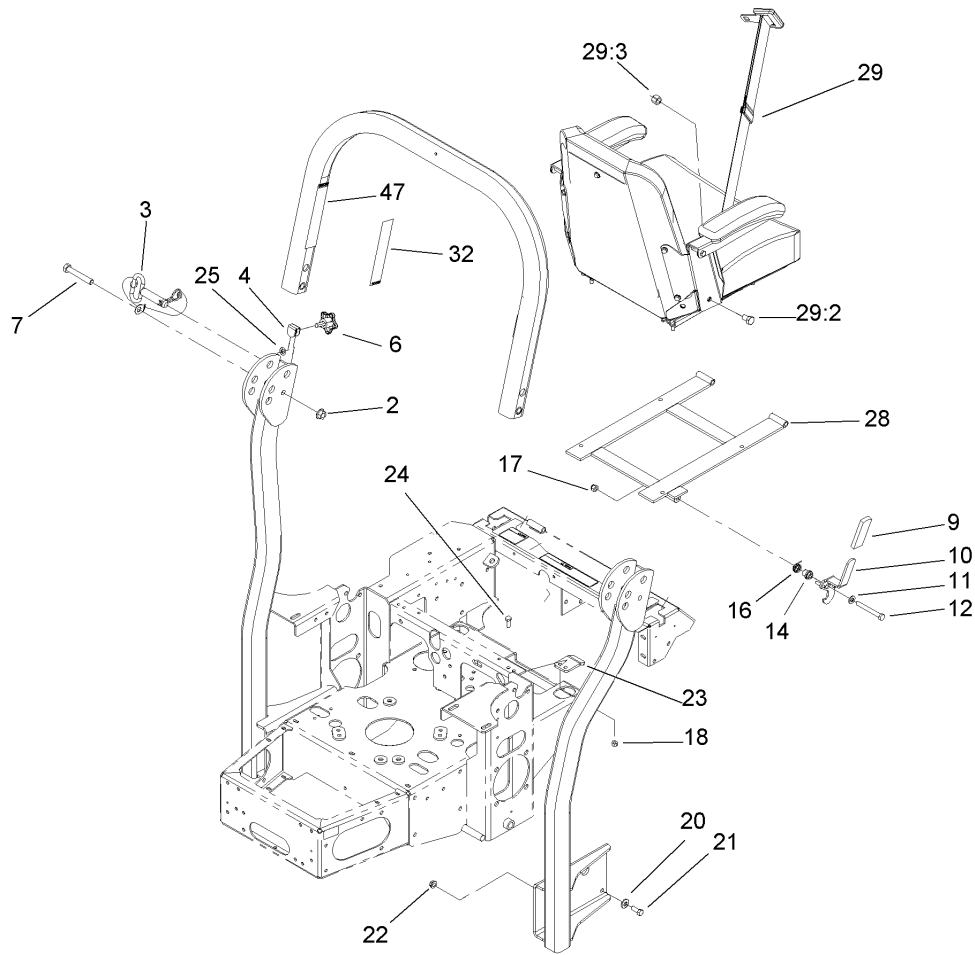
Seat and Bracket Assembly

| Ref | Part No. | Qty. | Description |
|-----|-------------|------|------------------------|
| 1 | 107-3052-03 | 1 | Seat Support Frame ASM |
| 2 | 323-39 | 2 | Screw-HH |
| 3 | 3296-29 | 3 | Nut-Lock, NI |
| 4 | 103-1731 | 1 | Rod-Retainer, Seat |
| 5 | 107-2116 | 1 | Seat ASM |
| 6 | 99-4693 | 1 | Decal |
| 7 | 2412-120 | 2 | R-Clamp |
| 8 | 104-7048 | 1 | Cap-Housing |
| 9 | 32104-76 | 2 | Screw |
| 10 | 104-7050 | 1 | Housing-Manual |
| 11 | 322-5 | 1 | Screw-HH |
| 12 | 103-5961 | 1 | Catch-Latch, Seat |
| 13 | 3296-39 | 3 | Nut-Lock, NI |
| 14 | 323-20 | 1 | Screw-HH |
| 15 | 107-0076 | 1 | Spring-Torsion |
| 16 | 107-0075 | 1 | Bushing-Latch, Seat |
| 17 | 107-3083 | 1 | Latch ASM |
| 18 | 62-9130 | 1 | Grip-Handle |
| 19 | 3256-24 | 1 | Washer-Flat |
| 20 | 322-4 | 2 | Screw-HH |



Roll-Over-Protection-System Assembly

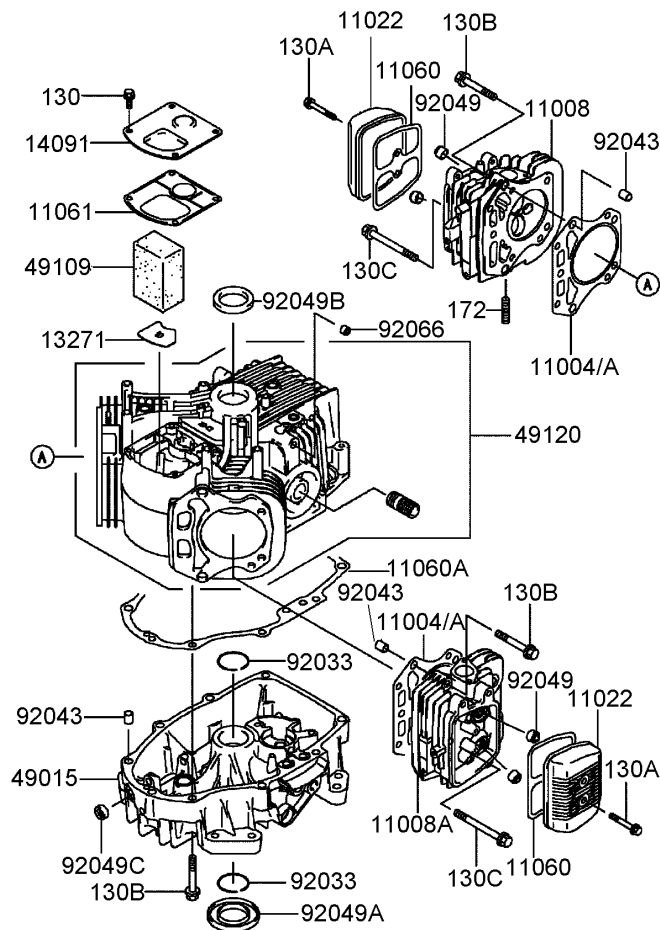
| Ref | Part No. | Qty. | Description | | | | |
|-----|----------|------|-------------|--|--|--|--|
| 13 | 107-8093 | 1 | ROPS ASM | | | | |



Roll-Over-Protection System Assembly No. 107-8093

| Ref | Part No. | Qty. | Description |
|------|-------------|------|-----------------------------|
| 2 | 32128-23 | 2 | Nut-HF |
| 3 | 103-4553 | 2 | ROPS Fold Pin ASM |
| 4 | 107-3124 | 2 | Clip |
| 6 | 106-0887 | 2 | Knob |
| 7 | 325-13 | 2 | Screw-HH |
| 9 | 62-9130 | 1 | Grip-Handle |
| 10 | 107-3083 | 1 | Latch ASM |
| 11 | 3256-24 | 1 | Washer-Flat |
| 12 | 323-20 | 1 | Screw-HH |
| 14 | 107-0075 | 1 | Bushing-Latch, Seat |
| 16 | 107-0076 | 1 | Spring-Torsion |
| 17 | 3296-39 | 1 | Nut-Lock, NI |
| 18 | 3296-29 | 2 | Nut-Lock, NI |
| 20 | 98-5975 | 8 | Washer-Belleville |
| 21 | 323-6 | 8 | Screw-HH |
| 22 | 3290-357 | 8 | Nut-HHF |
| 23 | 107-3059 | 1 | Catch-Latch, Seat |
| 24 | 322-4 | 2 | Screw-HH |
| 25 | 107-3154 | 2 | Nut-Push |
| 28 | 107-3052-03 | 1 | Seat Support Frame ASM |
| 29 | 103-4469 | 1 | Seatbelt Kit |
| 29:2 | 3212-4 | 2 | Screw-HH |
| 29:3 | 3296-38 | 2 | Nut-Lock NI |
| 32 | 107-3069 | 1 | Decal-Warning, Folding ROPS |

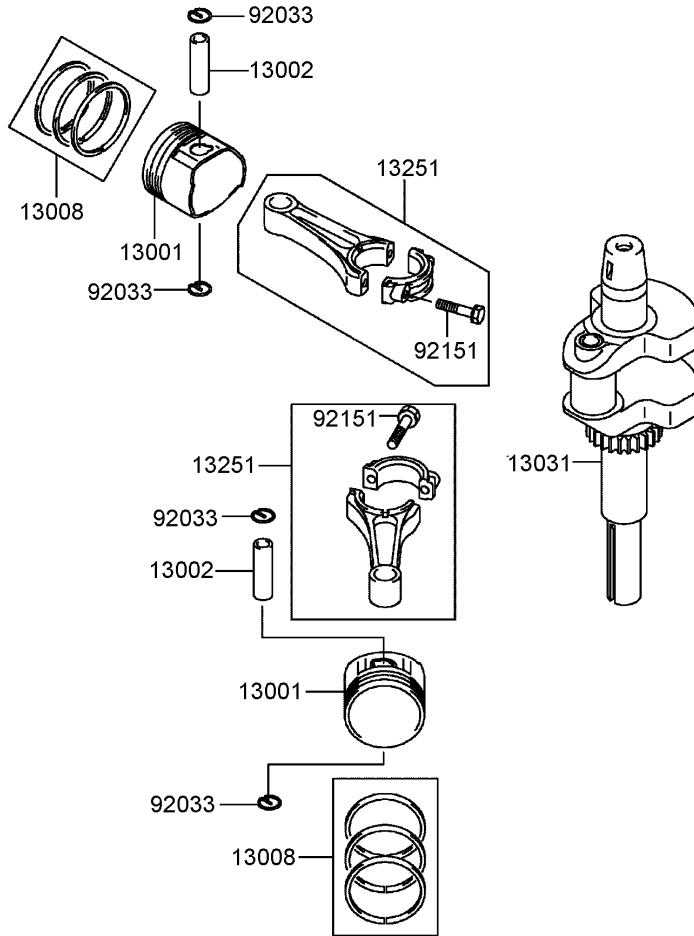
| Ref | Part No. | Qty. | Description |
|-----|----------|------|-----------------------------|
| 47 | 107-2102 | 1 | Decal-Warning, Folding ROPS |



Cylinder and Crankcase Assembly Kawasaki FH580V-AS14

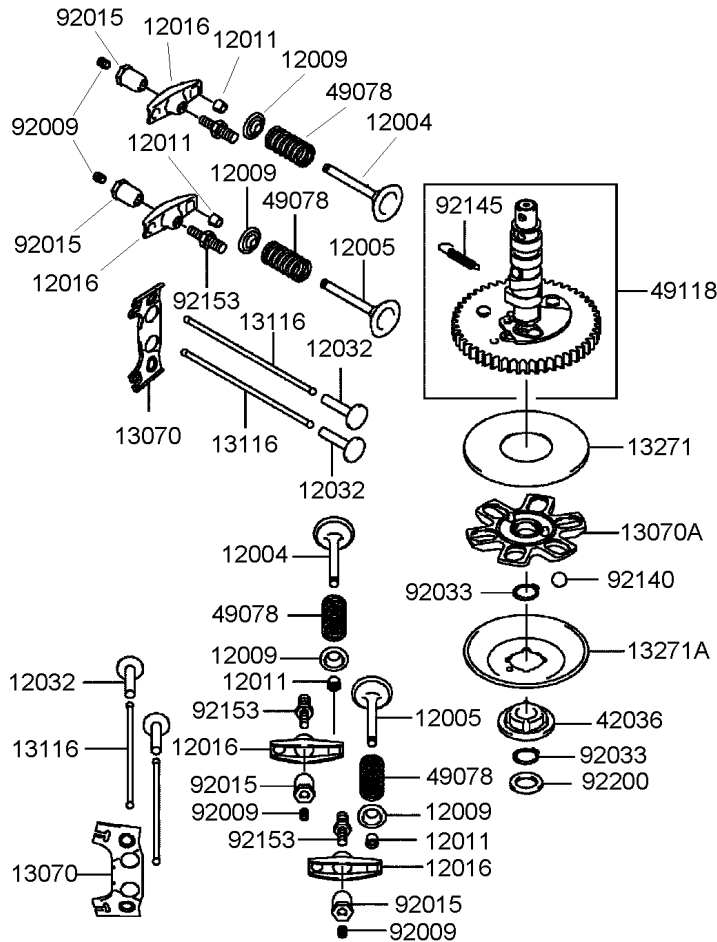
| Ref | Part No. | Qty. | Description |
|---------|------------|------|-----------------------------|
| ①11004 | 11004-7010 | 1 | Gasket-Head |
| ①11004A | 11004-7016 | 2 | Gasket-Head |
| ①11008 | 11008-6043 | 1 | Head-Cylinder, No. 1 |
| ①11008A | 11008-7020 | 1 | Head-Cylinder, No. 2 |
| ①11022 | 11022-7003 | 2 | Case-Rocker |
| ①11060 | 11060-7001 | 2 | Gasket-Case, Rocker |
| ①11060A | 11060-7008 | 1 | Gasket-Cover, Crankcase |
| ①11061 | 11061-7001 | 1 | Gasket-Breather |
| ①13271 | 13271-7016 | 1 | Plate |
| ①14091 | 14091-7006 | 1 | Cover |
| ①49015 | 49015-6253 | 1 | Cover-Crankcase |
| ①49109 | 49109-7002 | 1 | Element-Breather |
| ①49120 | 49120-7023 | 1 | Crankcase-Complete |
| ①92033 | 92033-7003 | 2 | Ring-Snap |
| ①92043 | 92043-7001 | 6 | Pin |
| ①92049 | 92049-7001 | 4 | Seal-Oil, Rvc2 (6X11X10.2) |
| ①92049A | 92049-7015 | 1 | Seal-Oil, Sd (35X62X8 L Hs) |
| ①92049B | 92049-7016 | 1 | Seal-Oil, Sd (35X48X8 R Hs) |
| ①92049C | 92049-7019 | 1 | Seal-Oil, So (8X14X5 Hs) |
| ①92066 | 92066-7002 | 1 | Plug |
| ①130 | 130B0612 | 4 | Bolt-Flanged |
| ①130A | 130B0640 | 4 | Bolt-Flanged |
| ①130B | 130T0850 | 17 | Bolt-Flanged |
| ①130C | 130T0875 | 2 | Bolt-Flanged |

| Ref | Part No. | Qty. | Description |
|------|----------|------|-------------|
| ①172 | 172G0818 | 4 | Bolt-Stud |



Piston/Crankshaft Assembly Kawasaki FH580V-AS14

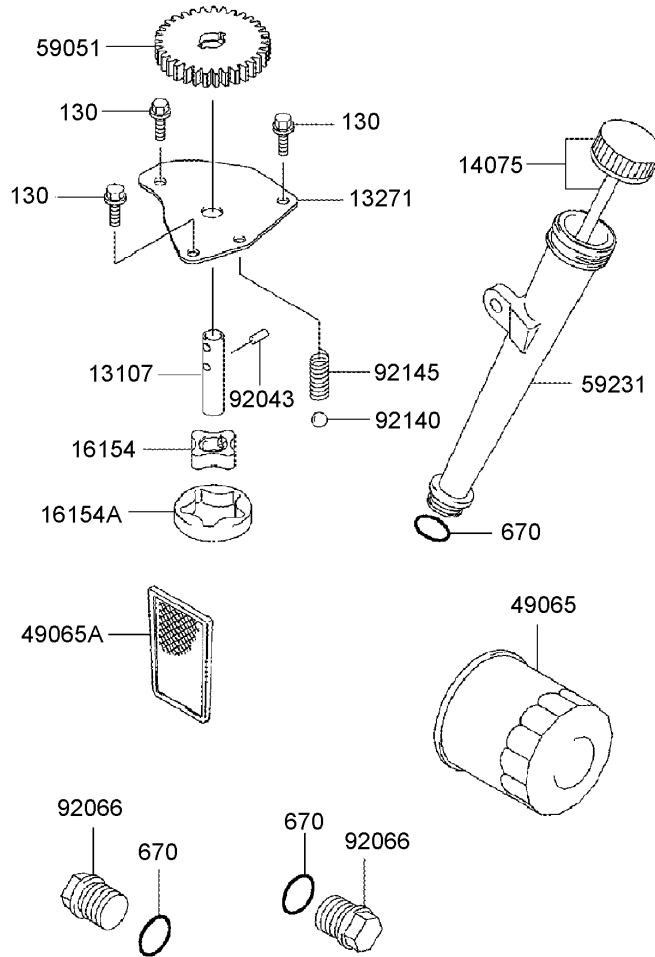
| Ref | Part No. | Qty. | Description | | | | |
|---------|------------|------|---------------------|--|--|--|--|
| ⑤ 13001 | 13001-7010 | 2 | Piston-Engine | | | | |
| ⑤ 13002 | 13002-7001 | 2 | Pin-Piston | | | | |
| ⑤ 13008 | 13008-6060 | 2 | Ring Set-Piston | | | | |
| ⑤ 13031 | 13031-7036 | 1 | Crankshaft-Complete | | | | |
| ⑤ 13251 | 13251-7010 | 2 | Connecting Rod ASM | | | | |
| ⑤ 92033 | 92033-7005 | 4 | Ring-Snap | | | | |
| ⑤ 92151 | 92151-7017 | 4 | Bolt (6X35) | | | | |



Valve and Camshaft Assembly Kawasaki FH580V-AS14

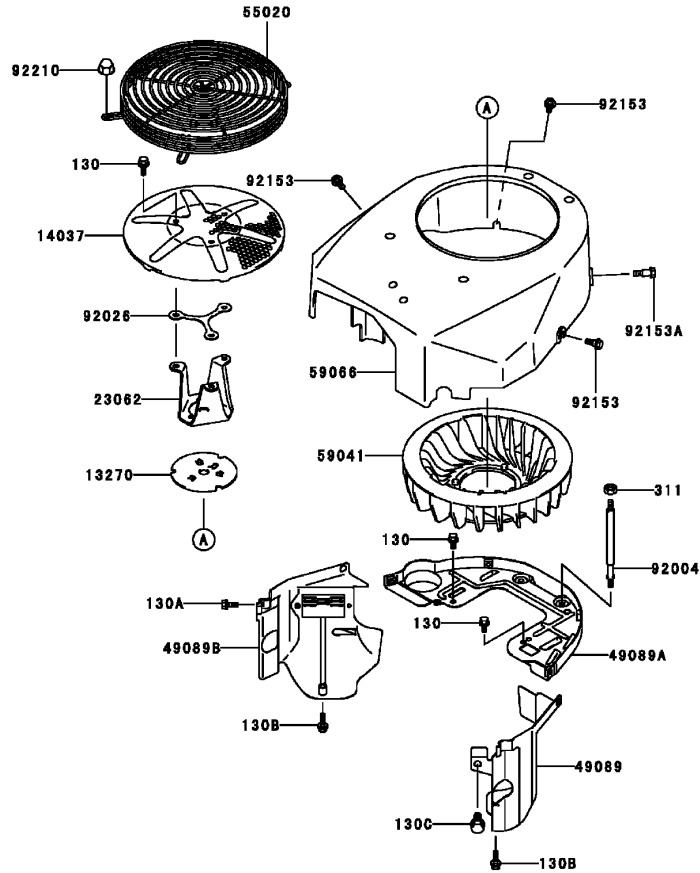
| Ref | Part No. | Qty. | Description |
|----------|------------|------|------------------------|
| ⑤ 12004 | 12004-7003 | 2 | Valve-Intake |
| ⑤ 12005 | 12005-7003 | 2 | Valve-Exhaust |
| ⑤ 12009 | 12009-7001 | 4 | Retainer-Spring, Valve |
| ⑤ 12011 | 12011-2056 | 8 | Collet |
| ⑤ 12016 | 12016-7001 | 4 | Arm-Rocker |
| ⑤ 12032 | 12032-7001 | 4 | Tappet |
| ⑤ 13070 | 13070-7001 | 2 | Guide |
| ⑤ 13070A | 13070-7004 | 1 | Guide |
| ⑤ 13116 | 13116-2057 | 4 | Rod-Push |
| ⑤ 13271 | 13271-7007 | 1 | Plate |
| ⑤ 13271A | 13271-7021 | 1 | Plate-Governor |
| ⑤ 42036 | 42036-7009 | 1 | Sleeve |
| ⑤ 49078 | 49078-7001 | 4 | Spring-Valve, Engine |
| ⑤ 49118 | 49118-7004 | 1 | Camshaft-Complete |
| ⑤ 92009 | 92009-2341 | 4 | Screw |
| ⑤ 92015 | 92015-2253 | 4 | Nut |
| ⑤ 92033 | 92033-7001 | 2 | Ring-Snap |
| ⑤ 92140 | 92140-7002 | 6 | Ball |
| ⑤ 92145 | 92145-7001 | 1 | Spring |
| ⑤ 92153 | 92153-7019 | 4 | Bolt |
| ⑤ 92200 | 92200-7001 | 1 | Washer |

| | | | |
|--|--|--|--|
| | | | |
|--|--|--|--|



Lubrication Equipment Assembly Kawasaki FH580V-AS14

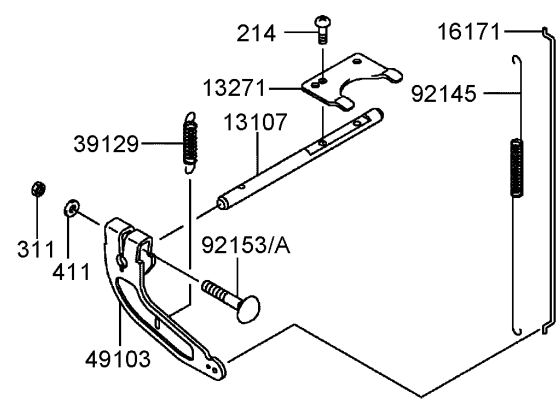
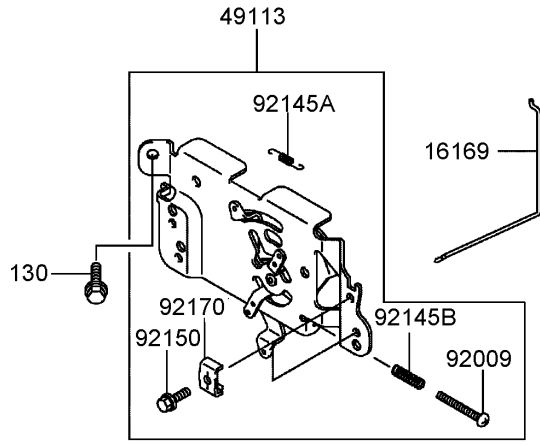
| Ref | Part No. | Qty. | Description |
|---------|------------|------|------------------|
| ⑤13107 | 13107-7009 | 1 | Shaft |
| ⑤13271 | 13271-7017 | 1 | Plate |
| ⑤14075 | 14075-7009 | 1 | Cap ASM |
| ⑤16154 | 16154-2053 | 1 | Rotor-Pump (In) |
| ⑤16154A | 16154-2054 | 1 | Rotor-Pump (Out) |
| ⑤49065 | 49065-2078 | 1 | Filter-Oil |
| ⑤49065A | 49065-7004 | 1 | Filter-Oil |
| ⑤59051 | 59051-7011 | 1 | Gear-Spur |
| ⑤59231 | 59231-7005 | 1 | Filler |
| ⑤92043 | 92043-7003 | 2 | Pin |
| ⑤92066 | 92066-7003 | 2 | Plug |
| ⑤92140 | 92140-7003 | 1 | Ball |
| ⑤92145 | 92145-7002 | 1 | Spring |
| ⑤130 | 130B0612 | 3 | Bolt-Flanged |
| ⑤670 | 670D2016 | 3 | O-Ring (16Mm) |



Cooling Equipment Assembly Kawasaki FH580V-AS14

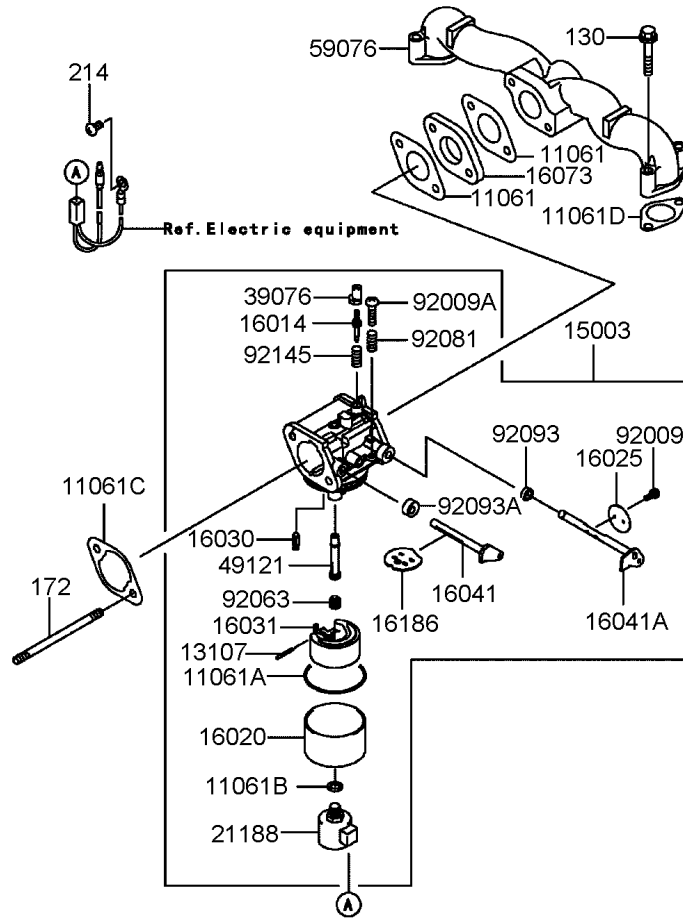
| Ref | Part No. | Qty. | Description |
|----------|---------------|------|---------------|
| ⑤ 13270 | 13270-7007 | 1 | Plate |
| ⑤ 14037 | 14037-7020-9H | 1 | Screen |
| ⑤ 23062 | 23062-7010 | 1 | Bracket |
| ⑤ 49089 | 49089-7002 | 1 | Shroud-Engine |
| ⑤ 49089A | 49089-7032 | 1 | Shroud-Engine |
| ⑤ 49089B | 49089-7034 | 1 | Shroud-Engine |
| ⑤ 55020 | 55020-7004 | 1 | Guard |
| ⑤ 59041 | 59041-7010 | 1 | Fan |
| ⑤ 59066 | 59066-7002 | 1 | Housing-Fan |
| ⑤ 92004 | 92004-7006 | 2 | Stud |
| ⑤ 92026 | 92026-7007 | 1 | Spacer |
| ⑤ 92153 | 92153-7007 | 3 | Bolt |
| ⑤ 92153A | 92153-7008 | 1 | Bolt |
| ⑤ 92210 | 92210-0003 | 4 | Nut |
| ⑤ 130 | 130B0612 | 5 | Bolt-Flanged |
| ⑤ 130A | 130B0616 | 2 | Bolt-Flanged |
| ⑤ 130B | 130B0625 | 2 | Bolt-Flanged |
| ⑤ 130C | 130B0816 | 1 | Bolt-Flanged |
| ⑤ 311 | 311B0600 | 2 | Nut-Hex |

| | | | |
|--|--|--|--|
| | | | |
|--|--|--|--|



Control Equipment Assembly Kawasaki FH580V-AS14

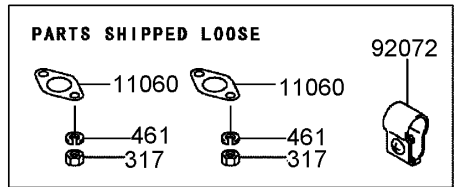
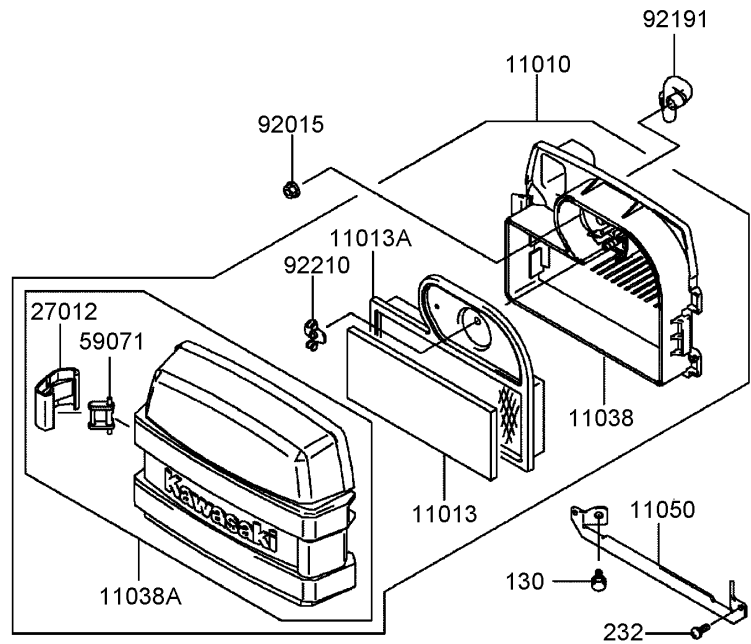
| Ref | Part No. | Qty. | Description | | | | |
|---------|------------|------|-----------------|--|--|--|--|
| ③13107 | 13107-7010 | 1 | Shaft | | | | |
| ③13271 | 13271-7018 | 1 | Plate | | | | |
| ③16169 | 16169-7010 | 1 | Link-Choke | | | | |
| ③16171 | 16171-7001 | 1 | Link | | | | |
| ③39129 | 39129-7003 | 1 | Spring-Governor | | | | |
| ③49103 | 49103-7004 | 1 | Arm-Governor | | | | |
| ③49113 | 49113-7011 | 1 | Panel-Control | | | | |
| ③92009 | 92009-7007 | 1 | Screw (4X35) | | | | |
| ③92145 | 92145-7003 | 1 | Spring | | | | |
| ③92145A | 92145-7004 | 1 | Spring | | | | |
| ③92145B | 92145-7005 | 1 | Spring | | | | |
| ③92150 | 92150-2182 | 2 | Bolt (5X18) | | | | |
| ③92153 | 92153-7005 | 1 | Bolt (6X35) | | | | |
| ③92153A | 92153-7033 | 1 | Bolt (6X35) | | | | |
| ③92170 | 92170-7001 | 2 | Clamp | | | | |
| ③130 | 130B0612 | 2 | Bolt-Flanged | | | | |
| ③214 | 214B0408 | 2 | Screw-Pan | | | | |
| ③311 | 311B0600 | 1 | Nut-Hex | | | | |
| ③411 | 411b0600 | 1 | Washer-Plain | | | | |



Carburetor Assembly Kawasaki FH580V-AS14

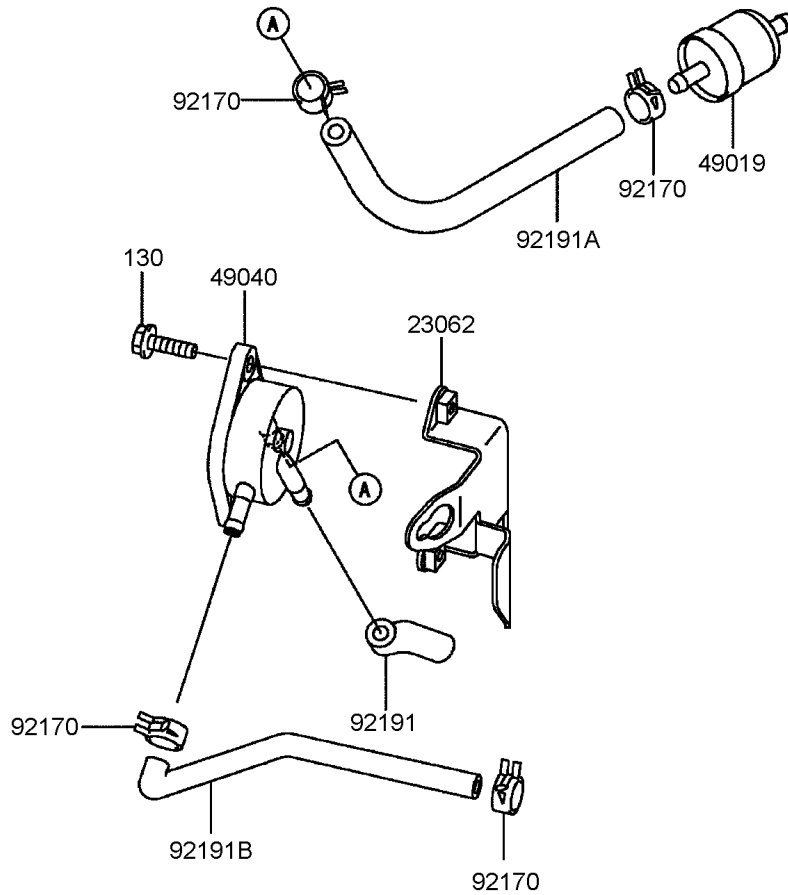
| Ref | Part No. | Qty. | Description |
|----------|------------|------|----------------------------|
| ● 11061 | 11061-7004 | 2 | Gasket-Insulator |
| ● 11061A | 11061-7009 | 1 | Gasket-Chamber |
| ● 11061B | 11061-7010 | 1 | Gasket-Screw |
| ● 11061C | 11061-7018 | 1 | Gasket-Cleaner, Air |
| ● 11061D | 11061-7019 | 2 | Gasket |
| ● 13107 | 13107-7018 | 1 | Shaft |
| ● 15003 | 15003-7081 | 1 | Carburetor ASM |
| ● 16014 | 16014-7004 | 1 | Screw-Air, Pilot |
| ● 16020 | 16020-7003 | 1 | Chamber-Float |
| ● 16025 | 16025-7006 | 1 | Valve-Throttle |
| ● 16030 | 16030-7003 | 1 | Valve-Float |
| ● 16031 | 16031-7002 | 1 | Float |
| ● 16041 | 16041-7016 | 1 | Shaft-Choke, Carburetor |
| ● 16041A | 16041-7018 | 1 | Shaft-Throttle, Carburetor |
| ● 16073 | 16073-7007 | 1 | Insulator |
| ● 16186 | 16186-7004 | 1 | Choke Valve ASM |
| ● 21188 | 21188-7002 | 1 | Solenoid |
| ● 39076 | 39076-7001 | 1 | Limiter |
| ● 49121 | 49121-7004 | 1 | Nozzle-Main |
| ● 59076 | 59076-7001 | 1 | Manifold-Intake |
| ● 92009 | 92009-2083 | 2 | Screw |
| ● 92009A | 92009-2349 | 1 | Screw |
| ● 92063 | 92063-7037 | 1 | Jet-Main (No. 105) |
| ● 92081 | 92081-2234 | 1 | Spring |

| Ref | Part No. | Qty. | Description |
|----------|------------|------|--------------|
| ● 92093 | 92093-2100 | 1 | Seal |
| ● 92093A | 92093-7003 | 1 | Seal |
| ● 92145 | 92145-7015 | 1 | Spring |
| ● 130 | 130B0635 | 4 | Bolt-Flanged |
| ● 172 | 172G0685 | 2 | Bolt-Stud |
| ● 214 | 214B0510 | 1 | Screw-Pan |



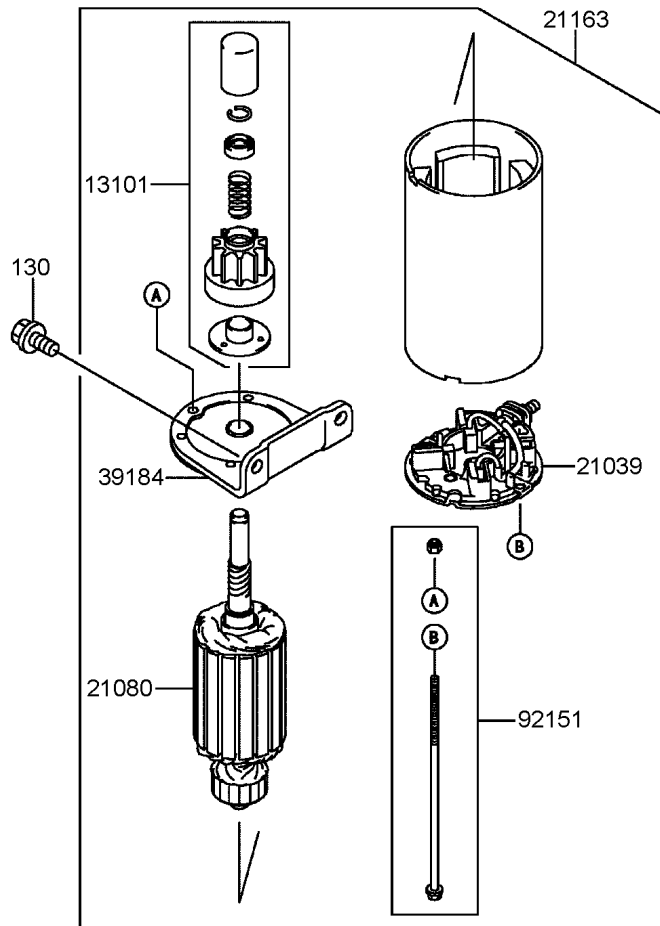
Air Filter and Muffler Assembly Kawasaki FH580V-AS14

| Ref | Part No. | Qty. | Description |
|-----|----------|------|---------------------|
| ① | 11010 | 1 | Air Filter ASM |
| ① | 11013 | 1 | Element-Filter, Air |
| ① | 11013A | 1 | Element-Filter, Air |
| ① | 11038 | 1 | Air Filter Case ASM |
| ① | 11038A | 1 | Air Filter Case ASM |
| ① | 11050 | 1 | Bracket |
| ① | 11060 | 2 | Gasket-Muffler |
| ① | 27012 | 2 | Hook-Filter, Air |
| ① | 59071 | 2 | Joint |
| ① | 92015 | 2 | Nut |
| ① | 92072 | 1 | Band |
| ① | 92191 | 1 | Tube |
| ① | 92210 | 1 | Nut |
| ① | 130 | 2 | Bolt-Flanged |
| ① | 232 | 2 | Screw-Pan, Ws |
| ① | 317 | 4 | Nut-Hex, Small |
| ① | 461 | 4 | Washer-Spring |



Fuel Tank and Valve Assembly Kawasaki FH580V-AS14

| Ref | Part No. | Qty. | Description | | | | |
|-----|---------------|------|----------------------|--|--|--|--|
| ② | 23062-7004-9H | 1 | Bracket-Complete | | | | |
| ② | 49019-7001 | 1 | Filter-Fuel | | | | |
| ② | 49040-7001 | 1 | Pump-Fuel | | | | |
| ④ | 92170-2088 | 4 | Clamp | | | | |
| ② | 92191-7002 | 1 | Tube | | | | |
| ② | 92191A-7003 | 1 | Tube (6.35X12.7X160) | | | | |
| ② | 92191B-7004 | 1 | Tube | | | | |
| ② | 130B0620 | 2 | Bolt-Flanged | | | | |



Starter Assembly Kawasaki FH580V-AS14

| Ref | Part No. | Qty. | Description |
|---------|------------|------|------------------|
| ● 13101 | 13101-7003 | 1 | Gear ASM |
| ● 21039 | 21039-7004 | 1 | Brush |
| ● 21080 | 21080-7001 | 1 | Armature |
| ● 21163 | 21163-7010 | 1 | Starter-Electric |
| ● 39184 | 39184-7004 | 1 | Bracket ASM |
| ● 92151 | 92151-7013 | 1 | Bolt |
| ● 130 | 130B0816 | 2 | Bolt-Flanged |

Attachments and Accessories

For 74410 - Z400 Z Master, With 52in 7-Gauge Side Discharge Mower

| Product Name | Model/Part |
|--|-------------------|
| Striping Kit | 106-3370 |
| Deck Lift Assist Kit | 106-9749 |
| Deluxe Suspension Seat | 107-1891 |
| Suspension Kit for Standard Seat | 107-1892 |
| Z Stand Kit, 400 Series Z Master | 107-8599 |
| Hitch kit | 99-8924 |

NOTES

NOTES

NOTES

