



Z450 Z Master[®] With 52in TURBO FORCE Side Discharge Mower

Model No. 74414 - 250005001 and up.

Parts Catalog

Ordering Replacement Parts

To order replacement parts, please supply the part number, the quantity, and the description of each part desired.

Understanding Reference Numbers

Each Identified part in an illustration has a reference number. The reference number for a part also appears in the parts list, along with other information about the part.

This catalog uses two special reference number formats, one to indicate parts in a service assembly and another to indicate the quantity of a given part in an illustration.

Service Assembly Reference Numbers

Parts in service assemblies have reference numbers in the form a:b. The a represents the reference number of the entire service assembly and the b represents a sequential number unique to each part within the service assembly.

For example, a wheel assembly might be identified by reference number 6, the tire by 6:1, the valve by 6:2, and the wheel by 6:3. When you order the assembly identified by reference number 6, you receive all parts identified by reference numbers 6:1, 6:2, and 6:3. However, you may also order any part individually. Reference numbers of this type appear in illustrations and in part lists.

Reference Numbers Indicating Quantity

In an illustration, if a reference number indicates more than one part, the reference number has the form nX y. The n represents the quantity of the part, the X is the multiplication symbol, and the y represents the reference number.

For example, in an illustration, the reference number 2X 37 means that two of the parts identified by reference number 37 are indicated.

Contents

Description	Page	Description	Page
Front Frame Assembly 3	Seat Assembly No. 107-1867 24
Caster Wheel Assembly No. 1-634662 4	Roll-Over-Protection-System Assembly 25
Height-of-Cut Assembly 5	Roll-Over-Protection System Assembly No. 107-8093 26
Main Frame Assembly 6	Crankshaft Assembly Kohler CV20S-65601 27
Fuel System Assembly 7	Crankcase Assembly Kohler CV20S-65601 28
Parking Brake Assembly 8	Oil Pan / Lubrication Assembly Kohler CV20S-65601 29
Motion Control Assembly 9	Head / Valve / Breather Assembly Kohler CV20S-65601 30
Hydraulic System Assembly 10	Ignition / Electrical Assembly Kohler CV20S-65601 31
Hydraulic Pump Assembly No. 103-1942 12	Lower Housing Assembly Kohler CV20S-65601 32
Pump Idler and Belt Assembly 13	Starter Assembly Kohler CV20S-65601 33
Engine, Clutch and Muffler Assembly 14	Fuel System Assembly Kohler CV20S-65601 34
Deck Connection Assembly 15	Engine Control Assembly Kohler CV20S-65601 35
Deck Assembly No. 107-1670 16	Air Intake / Filtration Assembly Kohler CV20S-65601 36
Idler Assembly 18	Exhaust Assembly Kohler CV20S-65601 37
Spindle Assembly No. 107-8504 19	Attachments and Accessories List 38
Deck Decal Assembly No. 107-1669 20		
Rubber Deflector Assembly No. 108-2792 21		
Electrical System Assembly 22		
Seat and Bracket Assembly 23		

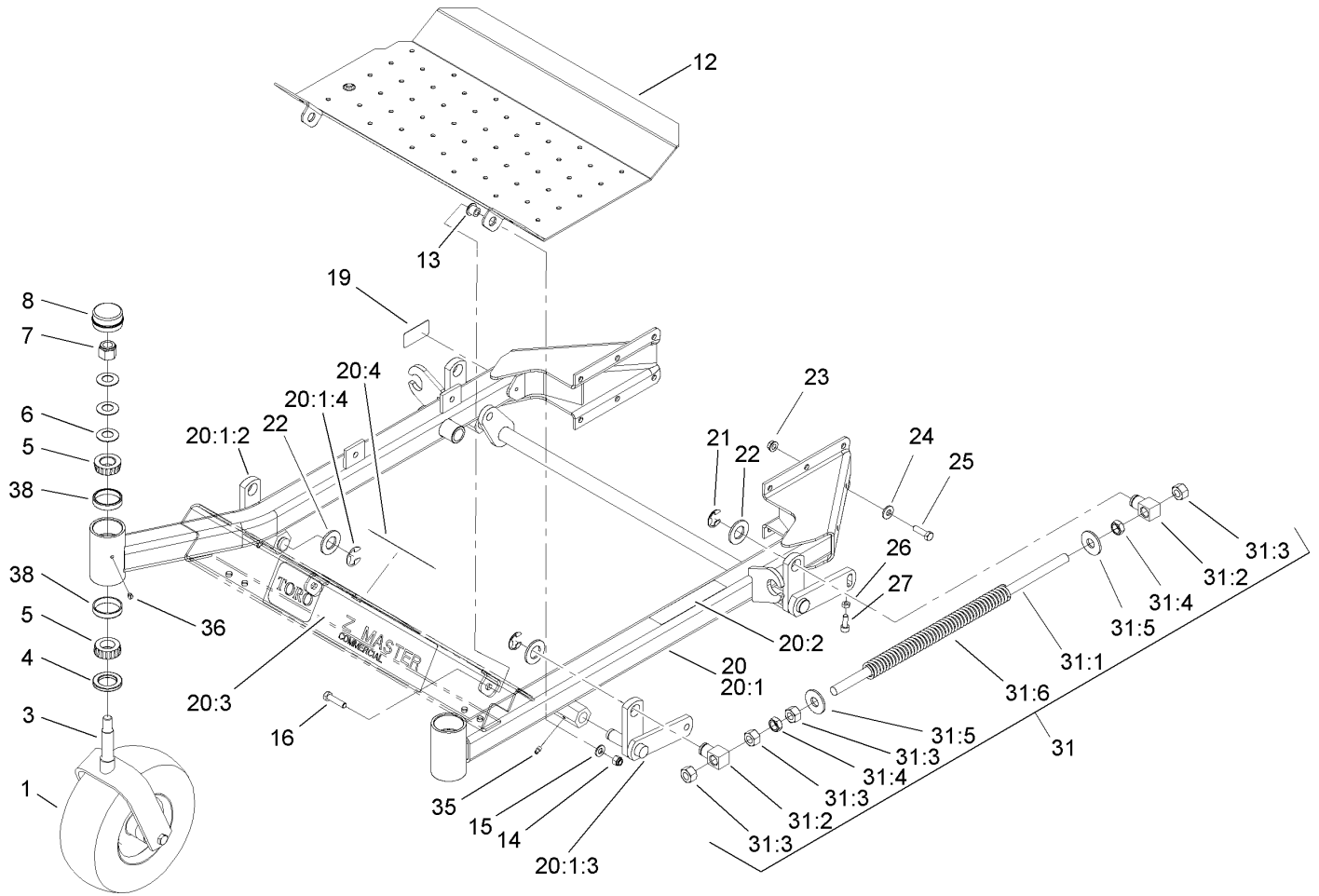
Part Description Abbreviations

Part descriptions in this catalog may include the following abbreviations.

AR. as required	HWHTF. hex washer head thread forming
ASM. assembly	HYD. hydraulic
BBC. Blade Brake Clutch	INC. incorporated
CARR. carriage	LH. left hand
DEG. degrees	NI. nylon insert
EXT. external	NPTF. national pipe thread fine
FH. flat head	PPH. phillips pan head
GA. gauge	PPHTF. phillips pan head thread forming
HF. hex flange	PRH. phillips round head
HH. hex head	PTH. phillips truss head
HHF. hex head flange	PTO. power take off
HHFTF. hex head flange thread forming	RH. right hand
HJ. hex jam	ROPS. roll over protection system
HLH. hex lag head	SFH. slotted fillister head
HOC. height-of-cut	SHH. slotted hex head
HSBH. hex socket button head	SHWH. slotted hex washer head
HSFH. hex socket flat head	SPH. slotted pan head
HSH. hex socket head	SQH. square head
HWH. hex washer head	

Footnotes

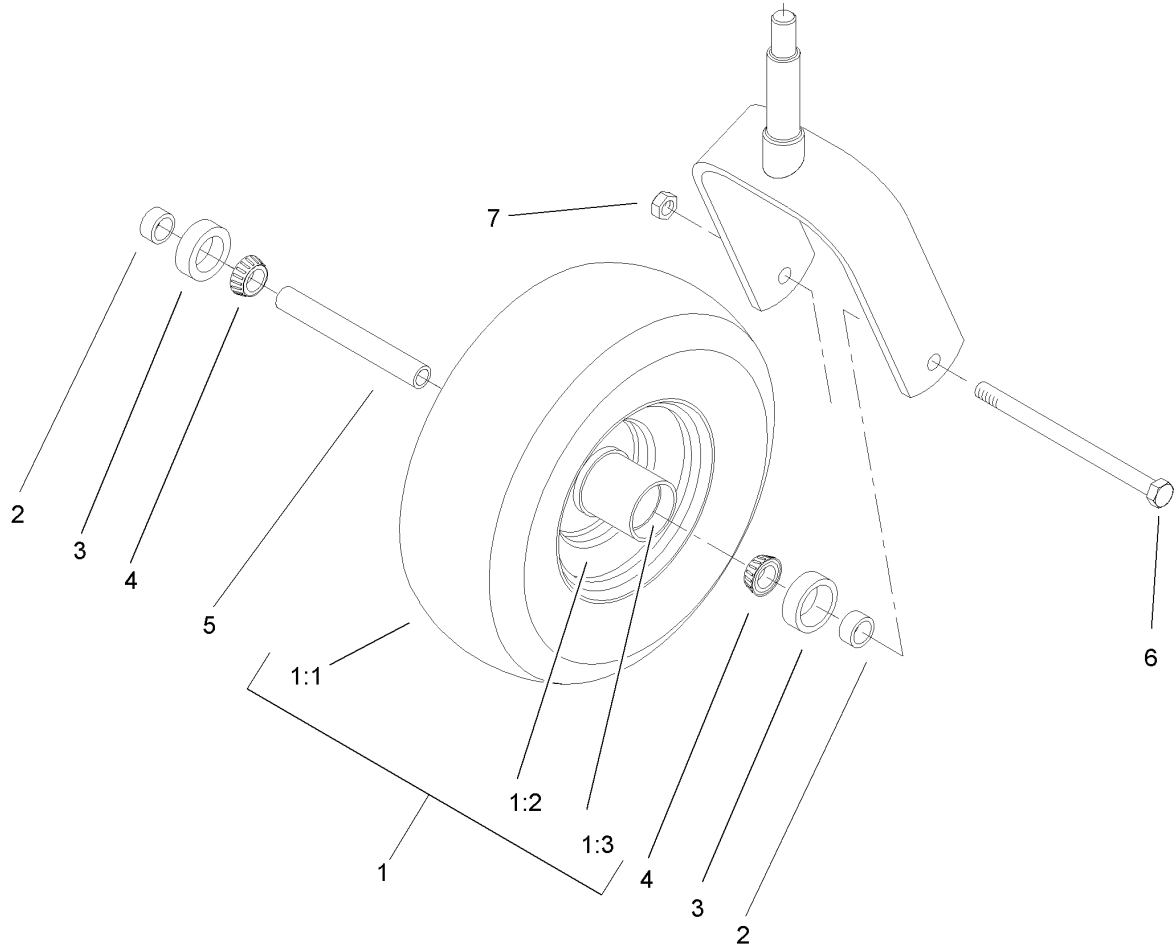
- ❶ Not illustrated
- ❷ Not serviced separately
- ❸ Obtain Parts From Your Local Kohler Dealer



Front Frame Assembly

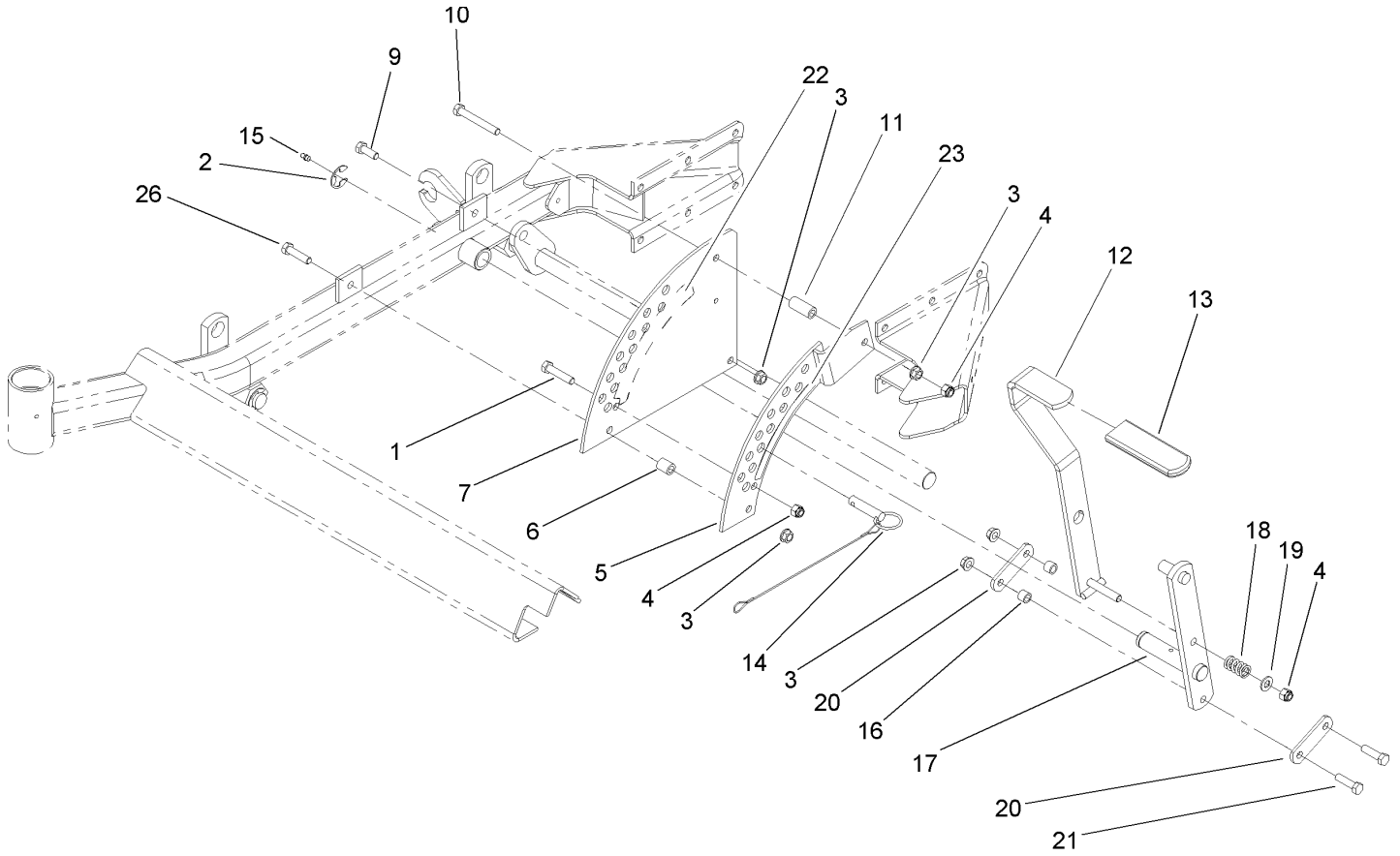
Ref	Part No.	Qty.	Description
1	1-634662	2	Caster Wheel ASM
3	1-632511-01	2	Caster
4	1-543511	2	Seal-Grease
5	254-94	4	Bearing-Cone, Tapered
6	1-633508	6	Washer-Bellville
7	3296-51	2	Nut-Lock, NI
8	1-543513	2	Cap-Grease
12	108-5007-03	1	Floor Pan
13	86-2180	2	Bushing-Flange
14	3296-39	2	Nut-Lock, NI
15	3256-24	2	Washer-Flat
16	323-8	2	Screw-HH
19	105-2625	1	Decal-STD, Safety
20	107-1650	1	Front Frame ASM
20:1		1	Frame-Front
20:1:2	99-3872	1	RH Lift Arm ASM
20:1:3	99-3871	1	LH Lift Arm ASM
20:1:4	32151-103	2	Ring-Snap
20:2	1-633818	1	Decal-Warning
20:3	106-7451	1	Decal
20:4	107-2112	1	Decal-Warning
21	32151-103	4	Ring-Snap
22	3256-29	6	Washer-Flat
23	3290-357	12	Nut-HHF

Ref	Part No.	Qty.	Description
24	98-5975	12	Washer-Belleville
25	323-7	12	Screw-HH
26	3218-2	2	Nut-Jam
27	3274-18	2	Screw-HSH
31	1-634439	2	Front Frame Spring ASM
31:1	1-633096	1	Rod-Lift, Deck
31:2	1-633441	2	Swivel-Deck Mount, Rear
31:3	3217-11	4	Nut-Hex
31:4	3218-6	2	Nut-Jam
31:5	3256-7	2	Washer-Flat
31:6	1-633064	1	Spring-Support, Deck
35	302-19	4	Fitting-Grease
36	1-811010	2	Plug
38	254-72	4	Bearing-Cup, Tapered



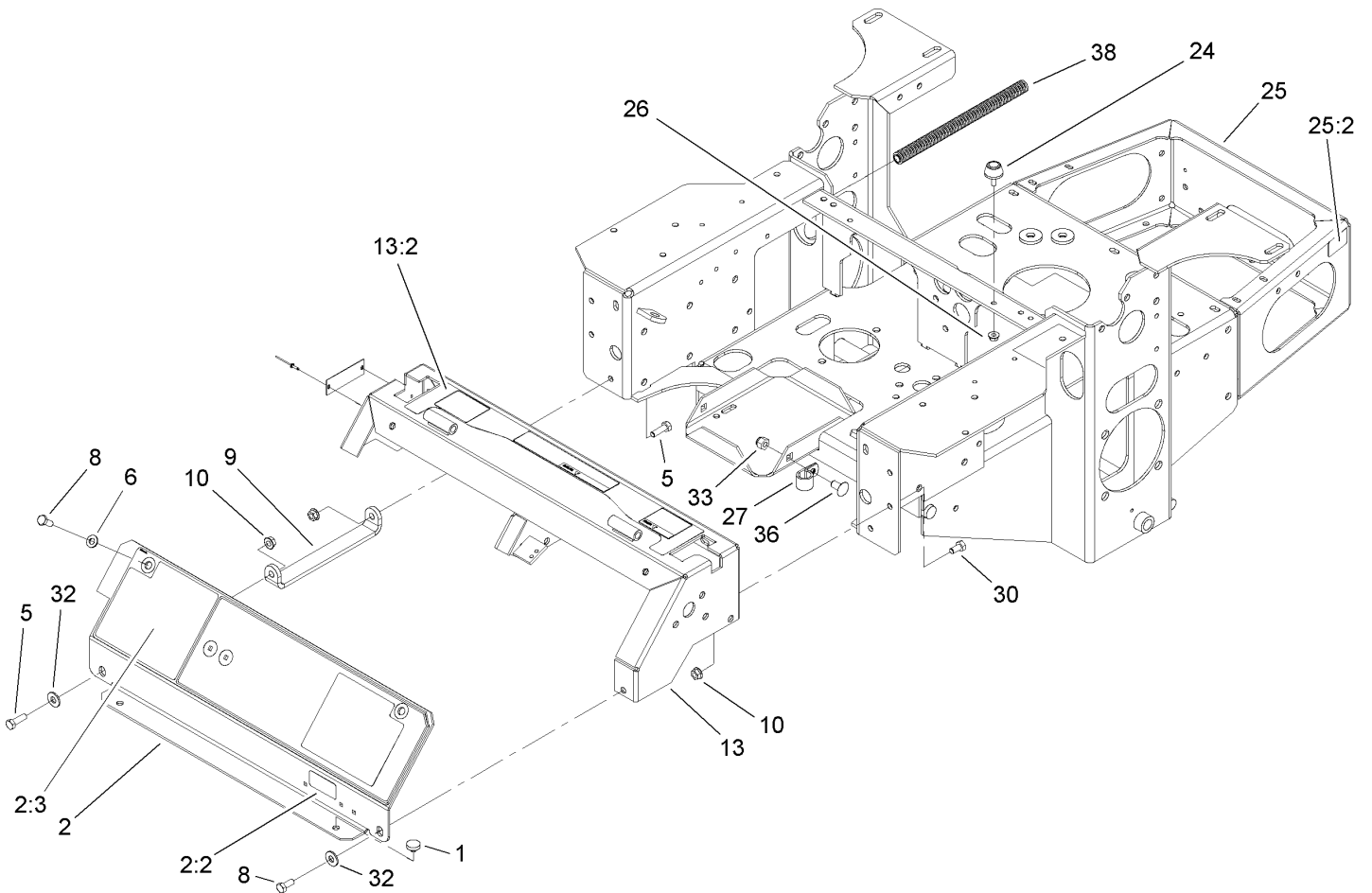
Caster Wheel Assembly No. 1-634662

Ref	Part No.	Qty.	Description
1	1-633582	1	Wheel And Tire ASM
1:1	1-633002	1	Tire
1:2	1-633583	1	Wheel
1:3	1-633584	2	Bearing-Cup
2	1-633581	2	Spacer-Bearing
3	1-633580	2	Seal-Bearing
4	1-633585	2	Bearing-Cone, Taper
5	1-633579	1	Spacer-Caster, Front
6	325-36	1	Screw-HH
7	3296-45	1	Nut-Lock, NI



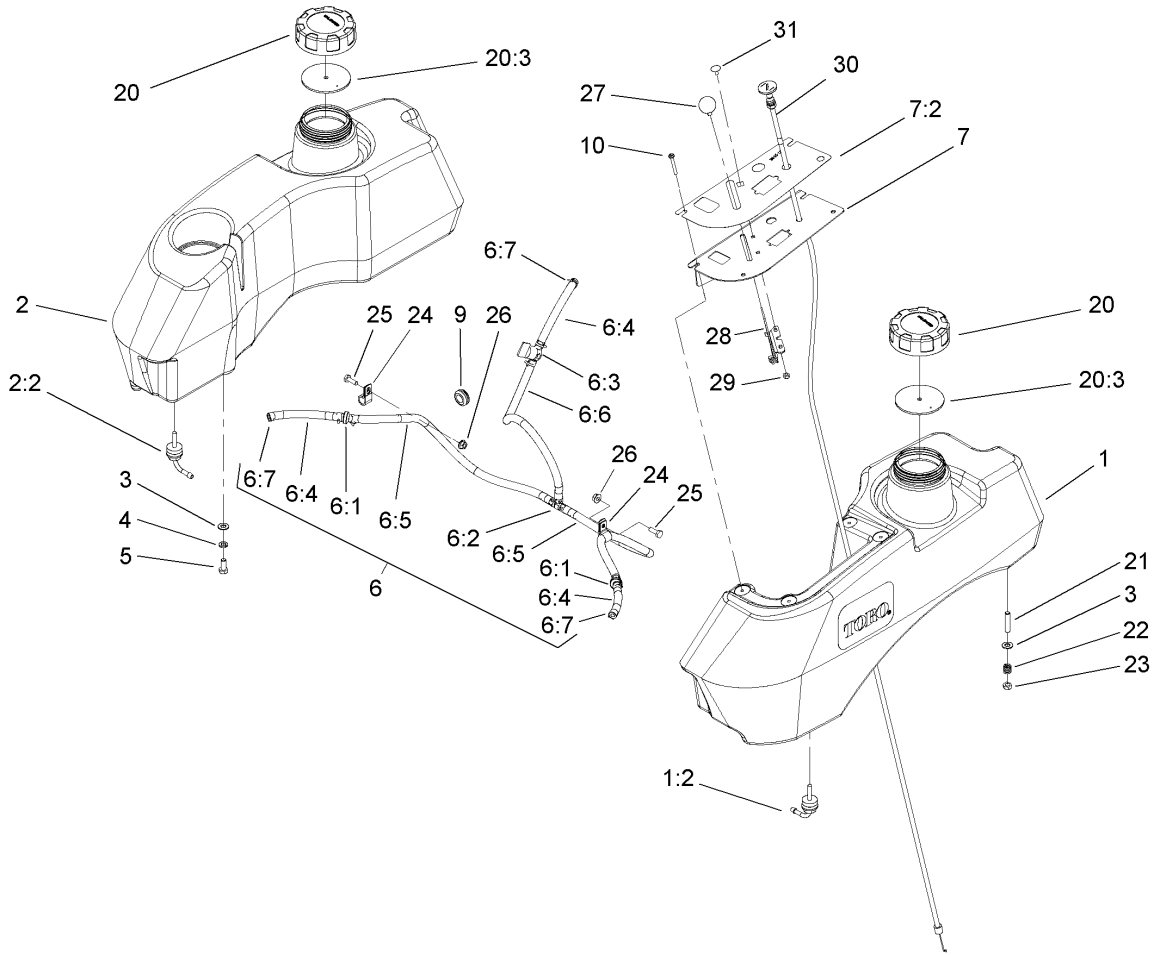
Height-of-Cut Assembly

Ref	Part No.	Qty.	Description
1	323-9	1	Screw-HH
2	32151-103	1	Ring-Snap
3	3290-357	5	Nut-HHF
4	3296-39	3	Nut-Lock, NI
5	1-652235-01	1	Plate-Lift, Deck
6	1-633080	1	Bushing-Lever, Lift
7	1-653230-01	1	Plate-Lift, Deck
9	323-6	1	Screw-HH
10	323-13	1	Screw-HH
11	1-633082	1	Bushing-Lever, Lift
12	103-2078-03	1	Handle-Lift
13	1-633295	1	Grip-Lever, Lift
14	106-9951	1	Hitch Pin ASM
15	302-19	1	Fitting-Grease
16	103-1918	2	Bushing
17	106-6598-03	1	Lift Arm ASM
18	1-633325	1	Spring-Compression
19	3256-24	1	Washer-Flat
20	1-633068	2	Arm-Lift, Deck
21	323-29	2	Screw-HH
22	108-1051	1	Decal-Deck Height, Outer
23	108-1050	1	Decal-Deck Height, Inner
26	323-8	1	Screw-HH



Main Frame Assembly

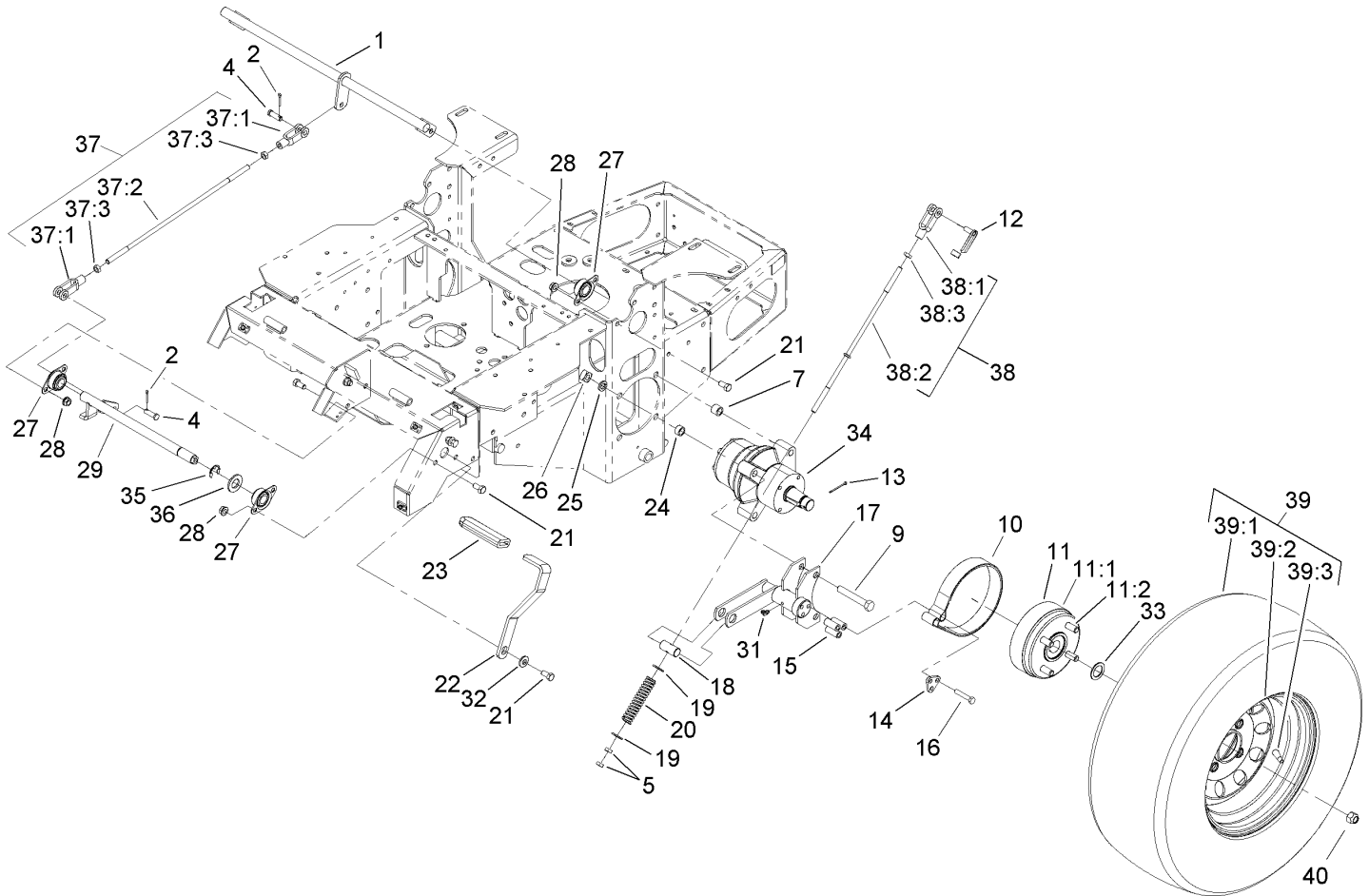
Ref	Part No.	Qty.	Description
1	1-513658	2	Bumper
2	108-1864	1	Panel ASM
2:2	98-4387	1	Decal-Protection, Ear
2:3	107-8445	1	Decal-Cover, Panel
5	322-5	2	Screw-HH
6	3256-23	2	Washer-Flat
8	322-3	3	Screw-HH
9	1-653089-03	1	Bracket
10	32128-20	6	Nut-HF
13	108-5997	1	Console ASM
13:2	108-5995	1	Decal-Warning
24	1-523420	2	Bumper
25	108-2783	1	Main Frame ASM
25:2	65-2690	2	Decal-Surface, Hot
26	32128-33	2	Nut-HF
27	1-633396	1	Clip-Loom
30	322-2	4	Screw-HH
32	3256-3	2	Washer-Flat
33	3296-39	1	Nut-Lock, NI
36	3231-21	1	Screw-CARR
38	24-7922	2	Cover-Shaft, Drive



Fuel System Assembly

Ref	Part No.	Qty.	Description
1	107-2146	1	LH Fuel Tank ASM
1:2	103-2605	1	Fitting-Fuel, Bulkhead
2	106-9975	1	RH Fuel Tank ASM
2:2	103-2605	1	Fitting-Fuel, Bulkhead
3	3256-23	8	Washer-Flat
4	1-805005	4	Washer-Lock
5	322-3	4	Screw-HH
6		1	Fuel Line ASM
6:1	99-5000	2	Valve-Check, Fuel
6:2	99-5005	1	Fitting-Tee, Barbed
6:3	1-603770	1	Valve-Fuel
6:4	99-7190	3	Hose-Fuel
6:5	99-3185	2	Hose-Fuel
6:6	106-8720	1	Hose-Fuel
6:7	1-303077	12	Clamp
7	107-2149	1	Control Panel ASM
7:2	107-2148	1	Decal-Panel, Control
9	1-543296	2	Grommet
10	32122-30	4	Screw-PTH
20	88-3980	2	Gas Cap ASM
20:3	88-4010	1	Gasket-Cap, Gas
21	1-633023	4	Stud
22	1-633349	4	Spring-Tank, Fuel
23	3296-47	4	Nut-Lock, NI

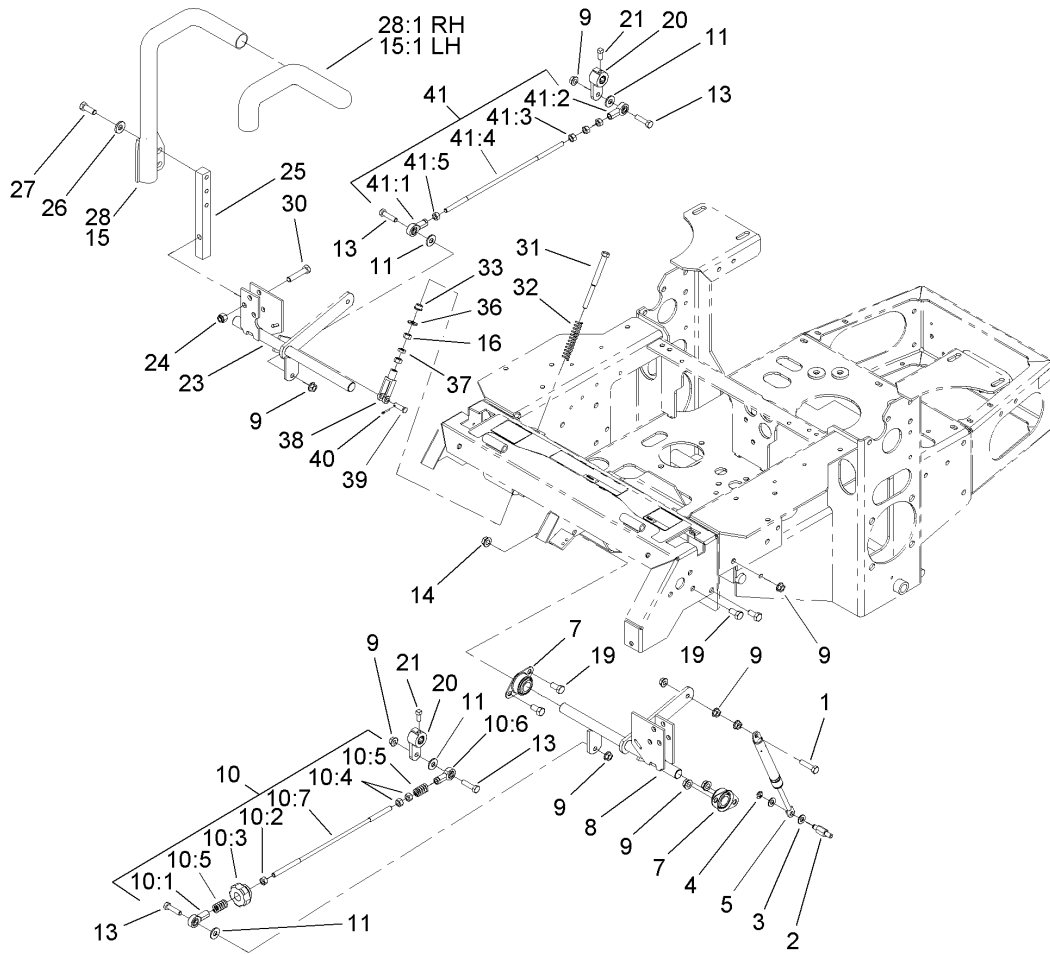
Ref	Part No.	Qty.	Description
24	1-513762	2	Clip-Loom
25	321-4	2	Screw-HH
26	32128-33	2	Nut-HF
27	1-513592	1	Knob-Ball
28	1-633696	1	Throttle Cable ASM
29	3296-2	2	Nut-Lock
30	103-4090	1	Control-Choke
31	1-807513	2	Bolt-CARR



Parking Brake Assembly

Ref	Part No.	Qty.	Description
1	1-652073-03	1	Crank-Brake, Park
2	3272-10	2	Pin-Cotter
4	1-808285	2	Pin-Clevis
5	3219-3	4	Nut-Hex
7	1-653068	4	Spacer-Wheel
9	325-13	8	Screw-HH
10	103-0355	2	Band-Brake
11	103-0590	2	Hub And Wheel ASM
11:1	103-0589	1	Wheel Hub ASM
11:2	1-633926	4	Stud-Wheel
12	103-2399	2	Pin-Spring, Clevis
13	1-806800	2	Pin-Cotter
14	103-0374	2	Retainer-Band, Brake
15	103-0384	6	Spacer
16	322-9	6	Screw-HH
17	103-0352-03	2	Bracket-Brake
18	1-633144	2	Pin-Trunion
19	3256-4	4	Washer-Flat
20	1-633454	2	Spring-Brake
21	323-4	9	Screw-HH
22	1-653074-03	1	Handle-Brake, Park
23	1-633268	1	Grip-Lever, Brake
24	1-653069	4	Spacer-Wheel
25	3253-7	8	Washer-Lock

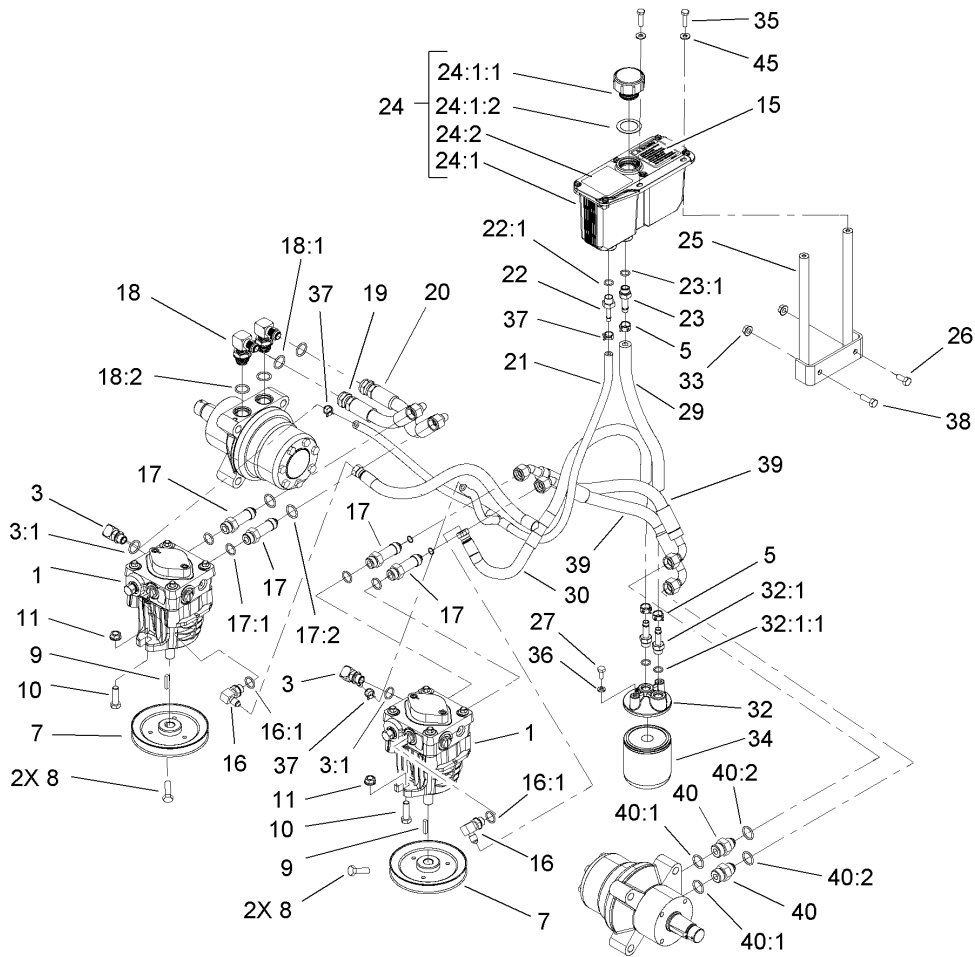
Ref	Part No.	Qty.	Description
26	103-0131	8	Nut-Square
27	1-633102	4	Bearing-Flange, Side
28	3290-357	8	Nut-HHF
29	103-3116	1	Shaft-Brake, Parking
31	1481	2	Fitting-Grease
32	98-5975	1	Washer-Belleville
33	1-523157	2	Washer-Spacer
34	103-5333	2	Motor-Wheel
35	32151-48	1	E-Ring
36	3256-28	1	Washer-Flat
37	103-4328	1	Brake Rod ASM
37:1	1-633131	2	Yoke-Linkage, Brake
37:2	1-653061	1	Linkage-Handle, Brake
37:3	3219-3	2	Nut-Hex
38	103-4329	2	Brake Rod ASM
38:1	1-633131	1	Yoke-Linkage, Brake
38:2	103-0356	1	Rod-Brake
38:3	3219-3	1	Nut-Hex
39	1-653159	2	Wheel And Tire ASM
39:1	1-653160	1	Tire
39:2	1-653161	1	Wheel
39:3	232-27	1	Stem-Valve
40	242-50	8	Nut-Lug



Motion Control Assembly

Ref	Part No.	Qty.	Description
1	1-403180	2	Screw-HH
2	103-4101	2	Pin-Damper
3	3256-23	4	Washer-Flat
4	32120-35	2	E-Ring
5	103-4079	2	Damper-Control, Motion
7	1-633102	4	Bearing-Flange, Side
8	103-4774	1	Control-Motion, LH
9	32128-20	12	Nut-HF
10	103-4326	1	Tracking Rod ASM
10:1	1-543017	1	Balljoint-RH
10:2	3219-2	1	Nut-Hex
10:3	103-3060	1	Knob-Tracking
10:4	1-804524	2	Nut
10:5	1-323245	2	Spring-Compression
10:6	1-633152	1	Balljoint-Thread, LH
10:7	103-3066	1	Link-Rod, Tracking
11	3256-3	4	Washer-Flat
13	322-6	4	Screw-HH
14	3290-357	6	Nut-HHF
15	108-7238	1	LH Lever ASM
15:1	106-9987	1	Grip-Control, Motion
16	3219-2	4	Nut-Hex
19	323-4	6	Screw-HH
20	103-3717	2	Arm-Control

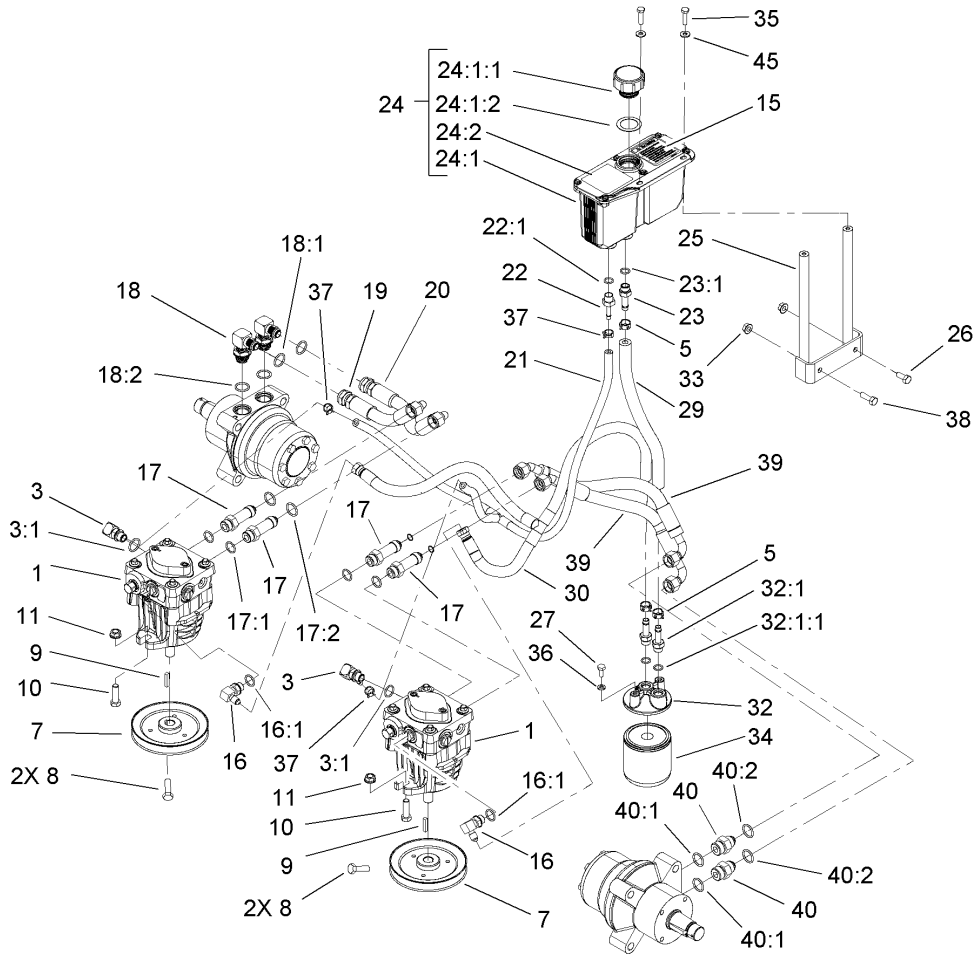
Ref	Part No.	Qty.	Description
21	1-803022	2	Screw-Set
23	103-4773	1	Control-Motion, RH
24	3296-39	6	Nut-Lock, NI
25	103-0407	2	Arm-Shaft, Control
26	98-5975	4	Washer-Belleville
27	323-6	4	Screw-HH
28	108-7237	1	RH Lever ASM
28:1	106-9987	1	Grip-Control, Motion
30	323-9	6	Screw-HH
31	1-603737	2	Bolt-Return, Neutral
32	1-603807	2	Spring-Return, Neutral
33	1-603735	2	Bushing-Flanged
36	3256-2	2	Washer-Flat
37	3220-2	2	Nut-Jam
38	1-303105	2	Yoke-Adjustable
39	1-808280	2	Pin-Clevis
40	3272-5	2	Pin-Cotter
41	103-4327	1	Tracking ASM
41:1	1-543017	1	Balljoint-RH
41:2	1-633152	1	Balljoint-Thread, LH
41:3	1-804524	1	Nut
41:4	103-3066	1	Link-Rod, Tracking
41:5	3219-2	3	Nut-Hex



Hydraulic System Assembly

Ref	Part No.	Qty.	Description
1	103-1942	2	Pump-HYD
3	103-1799	2	Elbow-90 DEG
3:1	237-42	1	O-Ring
5	103-1988	3	Clamp-Hose
7	1-653156	2	Pulley
8	1-803050	4	Screw-Set
9	1-807272	2	Key
10	323-7	4	Screw-HH
11	3290-357	4	Nut-HHF
15	103-2644	1	Decal-Exhaust
16	103-1802	2	Fitting-HYD, 90 DEG
16:1	1-603921	1	O-Ring
17	103-1940	4	Adapter-HYD, Straight
17:1	237-79	1	O-Ring
17:2	1-603992	1	O-Ring
18	1-633605	2	Fitting-HYD, 90 DEG
18:1	1-603992	1	O-Ring
18:2	237-80	1	O-Ring
19	1-653186	1	Hose-Front
20	1-653187	1	Hose-Rear, RH
21	103-2357	1	HYD Hose ASM
22	103-1801	1	Adapter-Straight
22:1	237-42	1	O-Ring
23	103-1912	1	Adapter-Straight

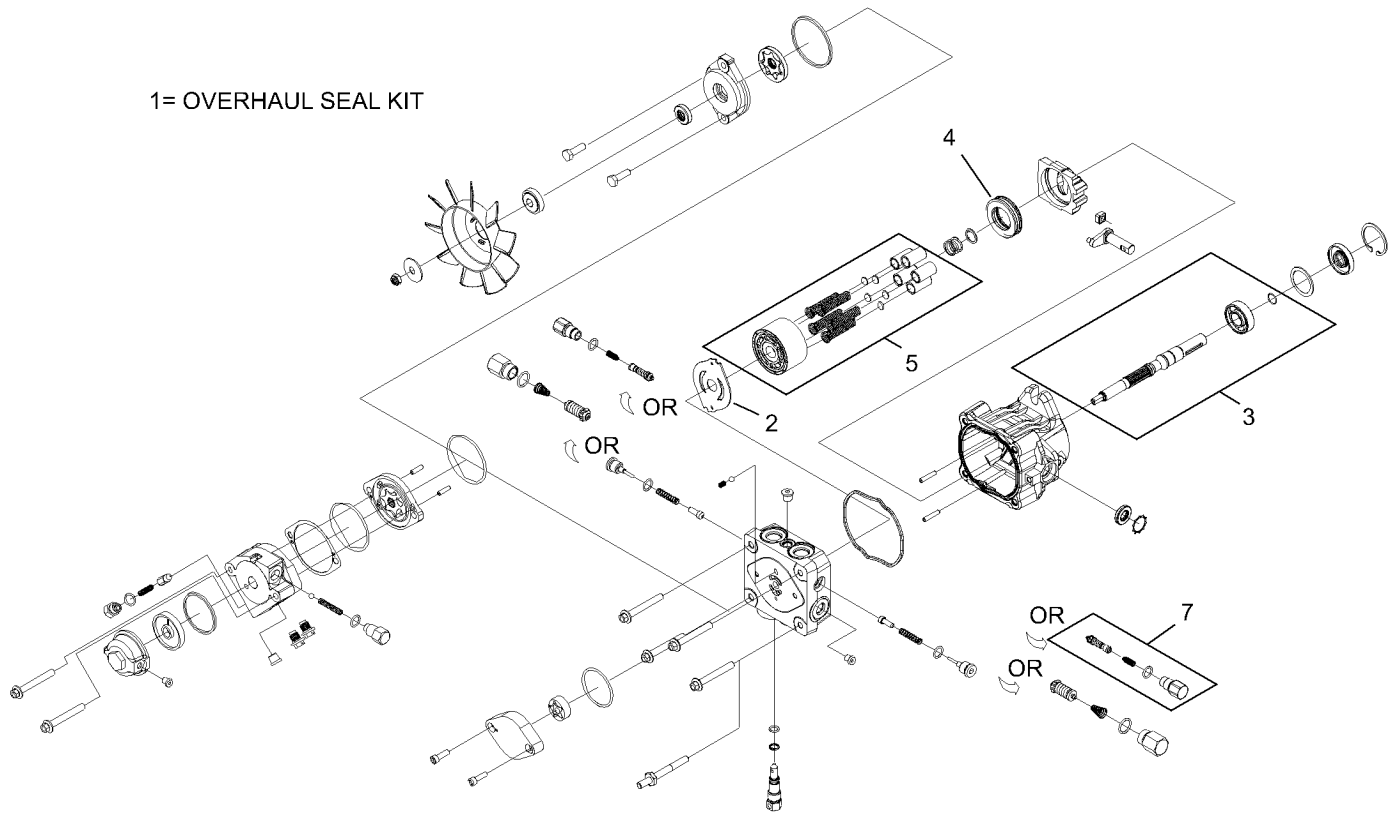
Ref	Part No.	Qty.	Description
23:1	237-42	1	O-Ring
24	103-1947	1	HYD Reservoir ASM
24:1		1	Reservoir-HYD
24:1:1	103-1948	1	Cap-Reservoir, HYD
24:1:2	103-1949	1	Gasket-Cap
24:2	1-523552	1	Decal-Tank, HYD
25	103-3071-03	1	Stand-Reservoir
26	322-3	1	Screw-HH
27	321-3	2	Screw-HH
29	103-3077	1	HYD Hose ASM
30	103-2930	1	HYD Hose ASM
32	103-2889	1	Filter Head ASM
32:1	103-1912	2	Adapter-Straight
32:1:1	237-42	1	O-Ring
33	32128-20	2	Nut-HF
34	1-633750	1	Filter-HYD
34	1-633752	1	Filter-HYD, Winter
35	321-6	2	Screw-HH
36	1-805004	2	Washer-Lock
37	103-1716	3	Clamp-Hose
38	322-5	1	Screw-HH
39	103-3809	2	Hose-LH
40	1-603991	2	Fitting-Straight
40:1	237-80	1	O-Ring



Hydraulic System Assembly (continued)

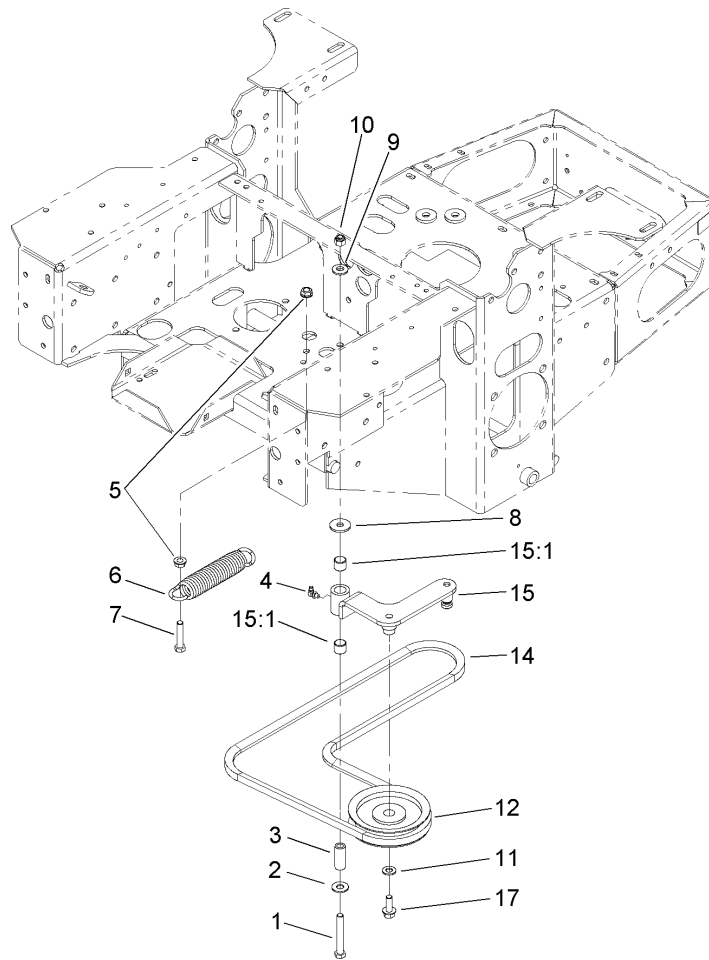
Ref	Part No.	Qty.	Description
40:2	1-603992	1	O-Ring
45	3256-22	2	Washer-Flat

--	--	--	--



Hydraulic Pump Assembly No. 103-1942

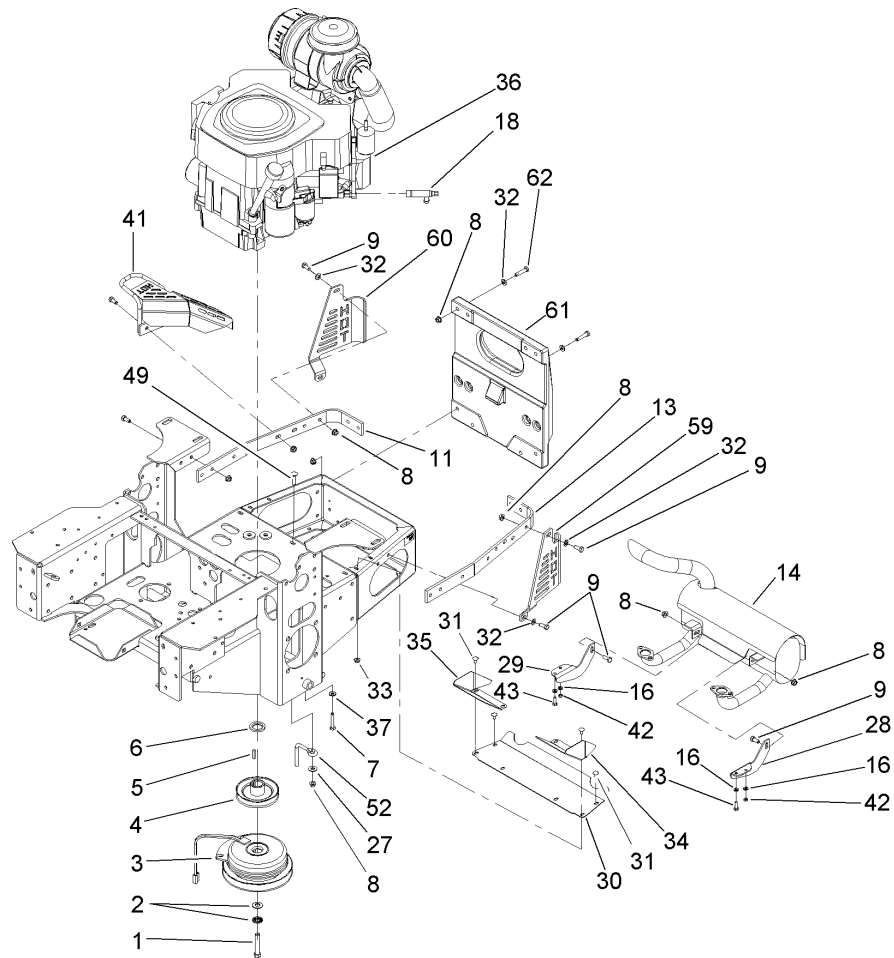
Ref	Part No.	Qty.	Description				
1	105-6184	1	Seal Kit				
2	105-6185	1	Plate-Valve				
3	103-2664	1	Input Shaft Kit				
4	94-6922	1	Bearing-Thrust				
5	103-2666	1	Cylinder Block Kit				
7	106-2053	1	Shock Valve Kit				



Pump Idler and Belt Assembly

Ref	Part No.	Qty.	Description
1	323-13	1	Screw-HH
2	3256-4	1	Washer-Flat
3	1-603044	1	Bushing
4	302-40	1	Fitting-Grease
5	3290-357	2	Nut-HHF
6	103-4480	1	Spring-Extension
7	323-9	1	Screw-HH
8	63-8410	1	Washer
9	98-5975	1	Washer-Belleville
10	3296-39	1	Nut-Lock, NI
11	3256-24	1	Washer-Flat
12	1-603843	1	Pulley-Idler
14	107-3960	1	Belt
15	103-4482	1	Idler Arm ASM
15:1	103-4681	2	Sleeve-Bearing
17	3234-11	1	Screw-HHF

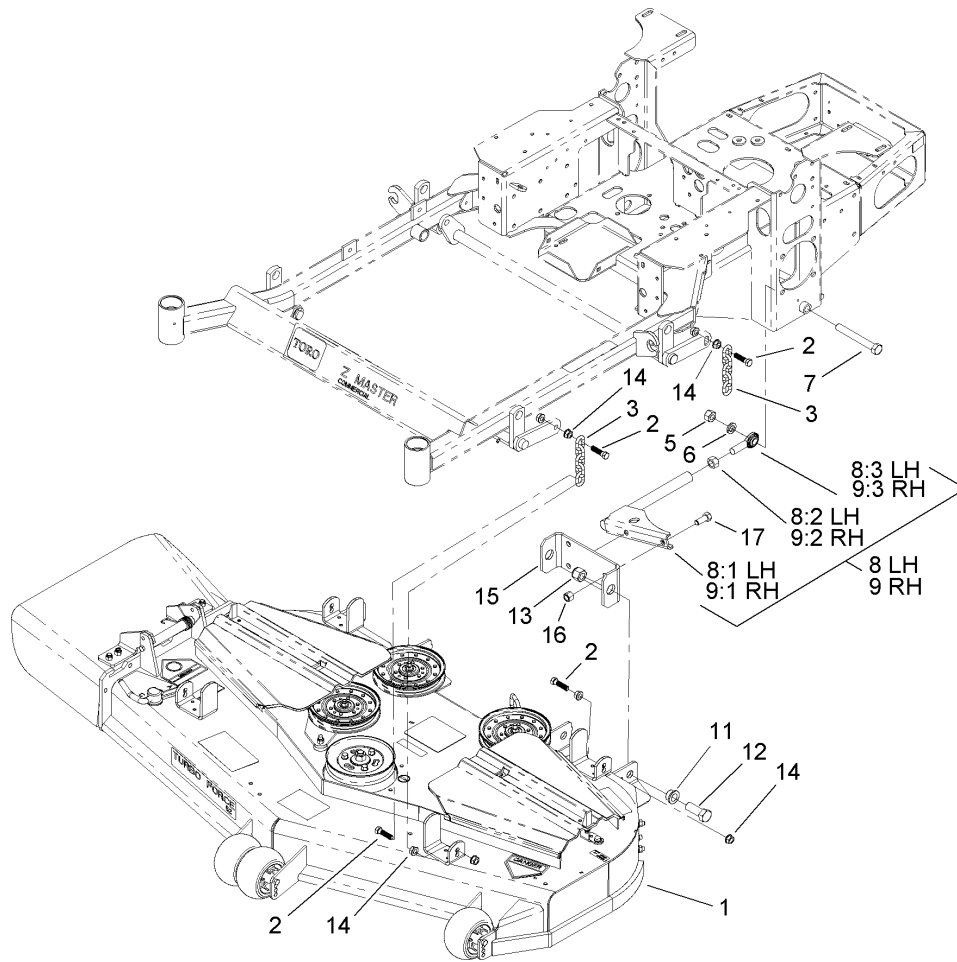
--	--	--	--



Engine, Clutch and Muffler Assembly

Ref	Part No.	Qty.	Description
1	3212-10	1	Screw-HH
2	1-603610	2	Washer-Spring
3	103-0690	1	Clutch
4	103-3913	1	Pulley
5	1-807259	1	Key
6	103-2308	1	Spacer-Crankshaft
7	322-9	4	Screw-HH
8	32128-20	34	Nut-HF
9	322-3	15	Screw-HH
11	103-3078-03	1	Strap-Guard, RH
13	103-3164-03	1	Strap-Guard, LH
14	103-2760	1	Muffler
16	1-805004	4	Washer-Lock
18	103-1963	1	Valve-Drain, Oil
27	3256-3	1	Washer-Flat
28	103-2987-03	1	Bracket-Muffler, LH
29	103-2988-03	1	Bracket-Muffler, RH
30	103-2740-03	1	Deflector-Short
31	3229-10	6	Screw-CARR
32	3256-23	12	Washer-Flat
33	32128-33	6	Nut-HF
34	103-3094-03	1	Deflector-Air, LH,Kc
35	103-3095-03	1	Deflector-Air, RH,Kc
36		1	Engine-Kohler, Cv20S-65601

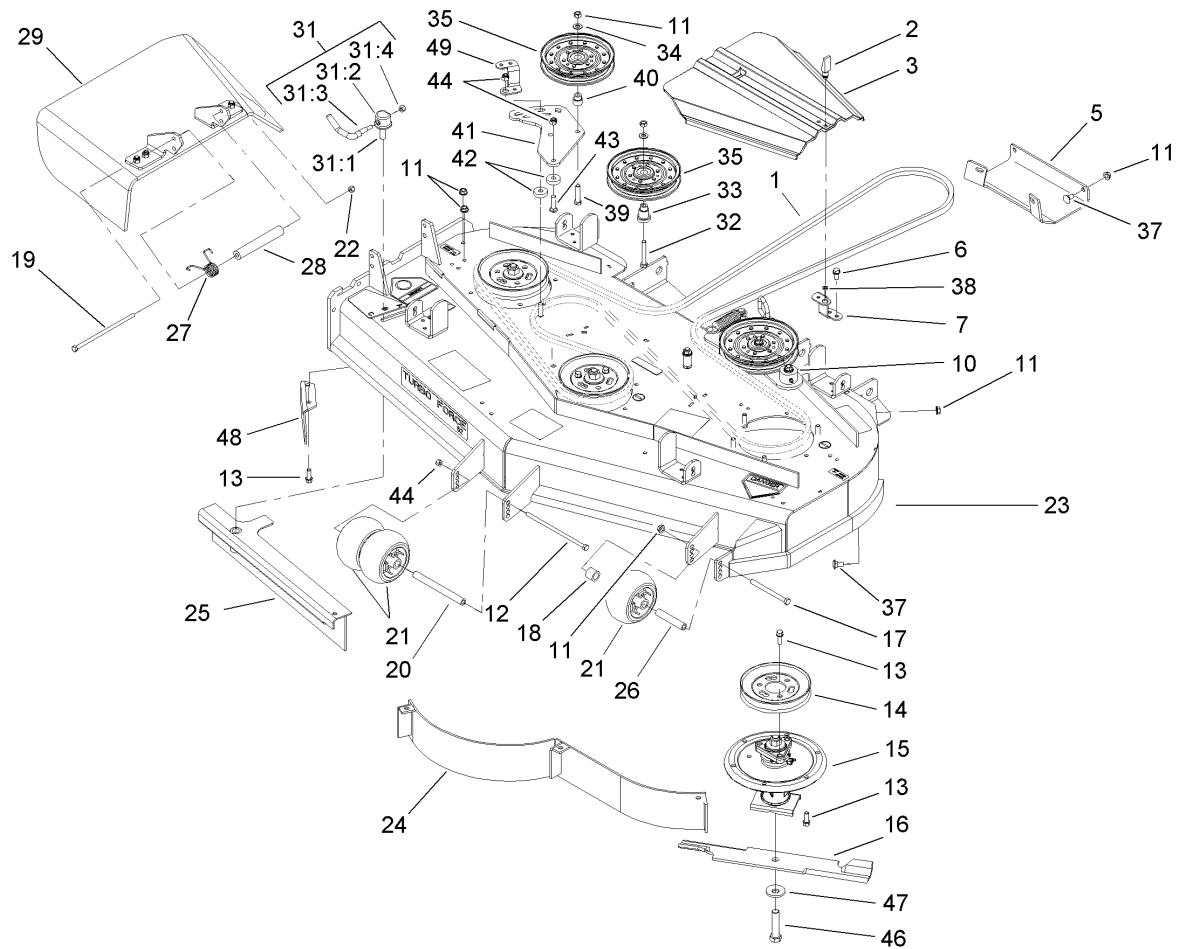
Ref	Part No.	Qty.	Description
37	1-303334	4	Washer-Spring
41	103-3218-03	1	Guard-Tailpipe
42	33013-00	2	Nut-Hex
43	33113-020	2	Screw-HH
49	3230-3	1	Screw-CARR
52	108-1058	1	Rod-Belt
59	103-3287-03	1	Guard-Muffler, LH
60	103-3288-03	1	Guard-Muffler, RH
61	107-8421-03	1	Weight-Notched, 60 Lb
62	322-7	8	Screw-HH



Deck Connection Assembly

Ref	Part No.	Qty.	Description
1	107-1670	1	Turbo Force Deck ASM
2	103-1898	8	Screw-HH
3	1-633447	4	Chain-Lift, Deck
5	3217-11	2	Nut-Hex
6	3253-8	2	Washer-Lock
7	327-11	2	Screw-HH
8	107-3150	1	LH Strut ASM
8:1	107-3103-01	1	Strut-Compact
8:2	3219-6	1	Nut-Hex
8:3	1-633029	1	Balljoint-Spherical
9	107-1659	1	RH Strut ASM
9:1	107-3103-01	1	Strut-Compact
9:2	1-633029	1	Balljoint-Spherical
9:3	3219-6	1	Nut-Hex
11	93-2877	4	Bushing
12	328-24	4	Screw-HH
13	3296-51	4	Nut-Lock, NI
14	32128-37	16	Nut-HF
15	107-3100-01	2	Base-Strut
16	3296-23	4	Nut-Lock, NI
17	325-5	4	Screw-HH

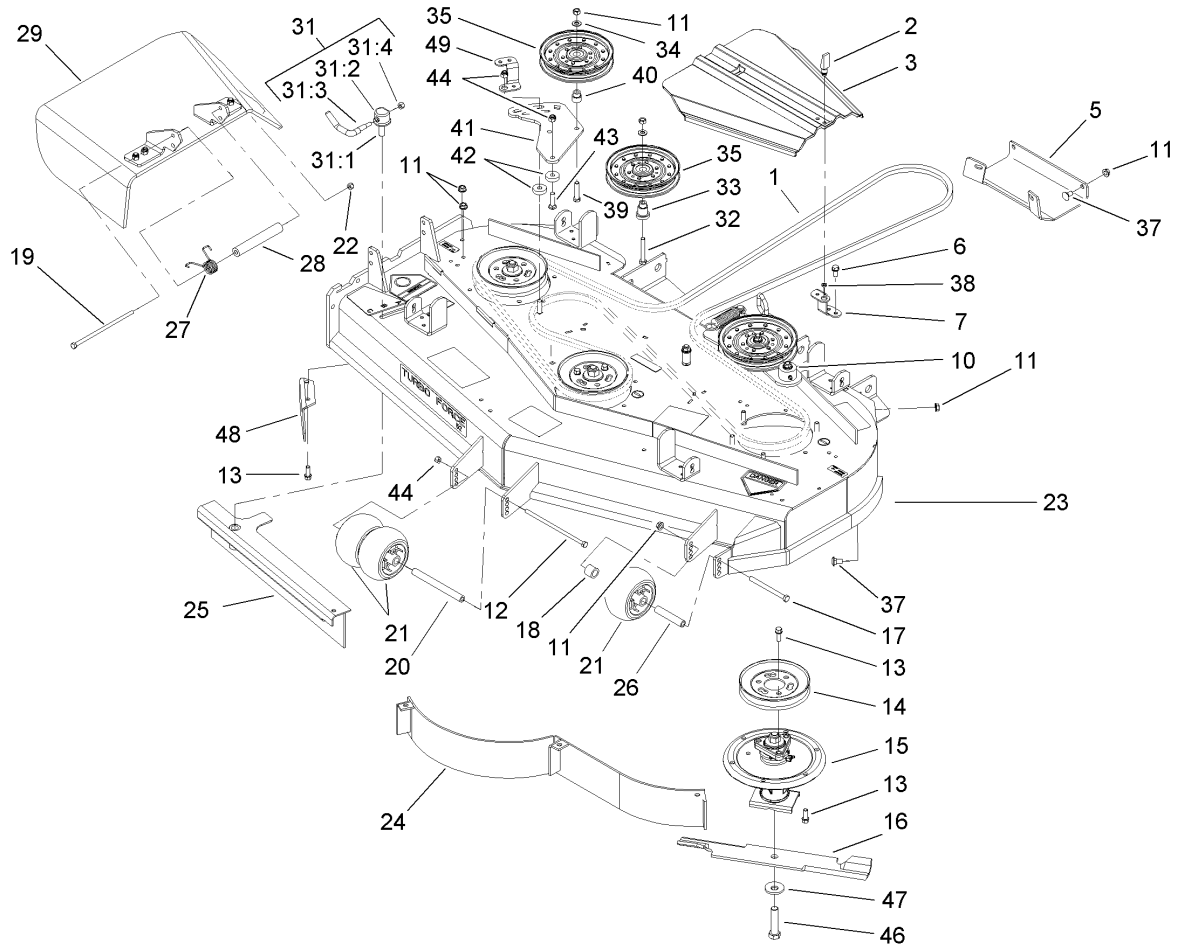
--	--	--	--



Deck Assembly No. 107-1670

Ref	Part No.	Qty.	Description
1	106-7369	1	Belt-V
2	74-5950	2	Latch-Swell
3	107-8536	2	Cover-Belt
5	106-7358-01	1	Plate-Skid
6	32144-70	3	Screw-HH
7	108-2177-01	3	Bracket-Cover, Tall
10		1	Spring Idler ASM
11	3290-357	36	Nut-HHF
12	323-28	1	Screw-HH
13	92-1624	33	Screw
14	107-1683	3	Pulley
15	107-8504	3	Spindle ASM
16	105-7781-03	3	Blade-Hi Flow
17	323-23	1	Screw-HH
18	98-7913	1	Tube-Spacer
19	322-50	1	Screw-HH
20	98-5967	1	Spacer-Wheel
21	1-603299	3	Roller-Scalp, Anti
22	3296-29	1	Nut-Lock, NI
23	107-1669	1	Deck Decal ASM
24	105-7754-01	1	Baffle ASM
25	105-7755-01	1	Baffle ASM
26	98-7912	1	Tube-Spanner
27	108-4052	1	Spring-Torsion

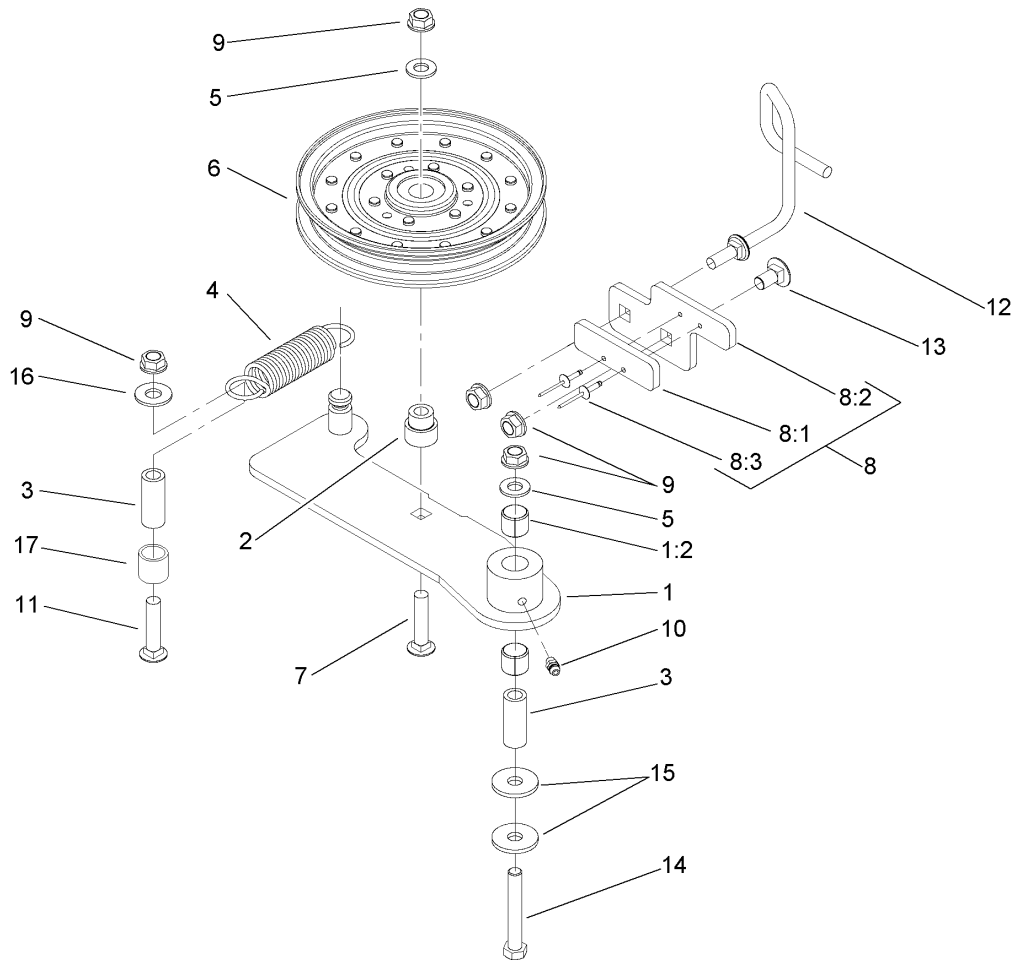
Ref	Part No.	Qty.	Description
28	105-4622	1	Spacer
29	108-2792	1	Rubber Deflector ASM
31	107-1664	1	Lever ASM
31:1	106-3239	1	Screw-Lock
31:2	107-1644	1	Cap-Lock
31:3	106-3241	1	Lever-Lock
31:4	3296-29	1	Nut-Lock, NI
32	323-12	1	Screw-HH
33	106-3214	1	Mount-Pulley
34	3256-24	3	Washer-Flat
35	1-633109	2	Idler-Flat
37	3231-1	10	Screw-CARR
38	99-3058	2	Washer
39	323-9	1	Screw-HH
40	1-603496	1	Bushing-Idler
41	107-8516-01	1	Plate-Idler
42	105-7788	2	Spacer
43	3231-4	2	Screw-CARR
44	3296-39	6	Nut-Lock, NI
46	103-0862	3	Screw-Cap
47	103-0865	3	Washer-Blade Bolt, Heavy
48	106-3216-01	1	Baffle-Discharge
49	108-2178-01	1	Bracket-Cover, Short
99	105-7779-03	3	Blade-Recycler



Deck Assembly No. 107-1670 (continued)

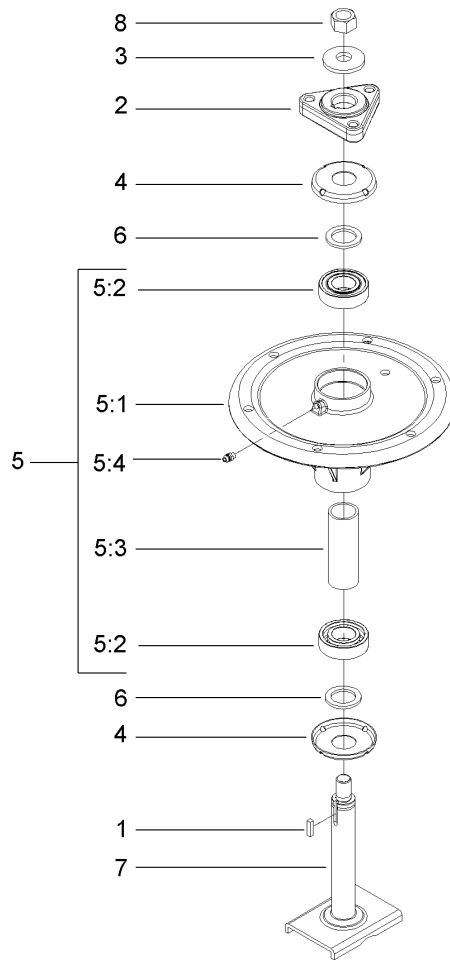
Ref	Part No.	Qty.	Description
①99	105-7794-03	3	Blade-Med Flow
①99	105-7795-03	3	Blade-Low Flow
①99	105-7796-03	3	Blade-Atomic

--	--	--	--



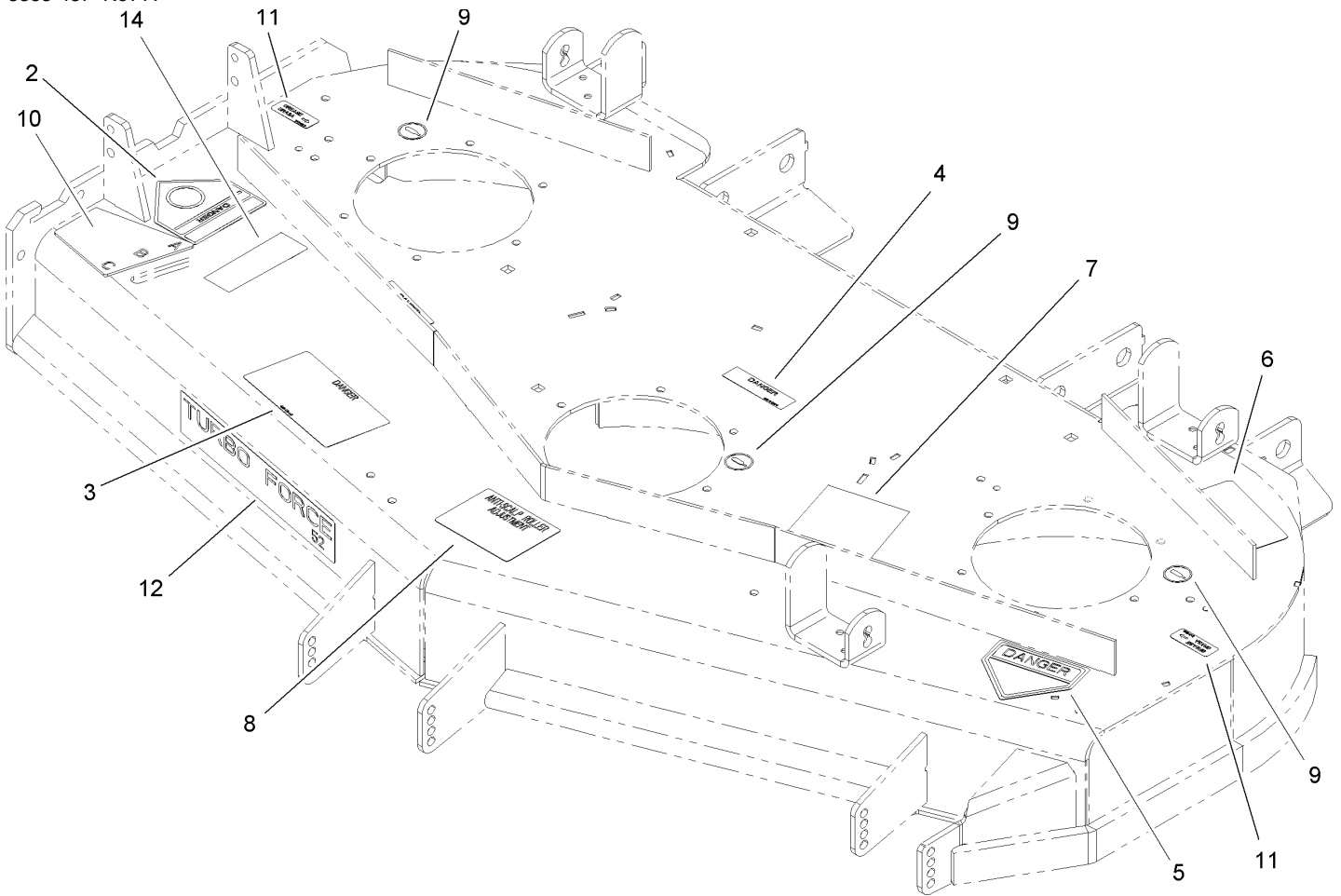
Idler Assembly

Ref	Part No.	Qty.	Description
1	108-4062	1	Idler Arm ASM
1:2	103-4681	2	Sleeve-Bearing
2	1-603496	1	Bushing-Idler
3	1-603044	2	Bushing
4	108-4056	1	Spring-Extension
5	3256-24	2	Washer-Flat
6	1-633109	1	Idler-Flat
7	3231-6	1	Screw-CARR
8		1	Stop Pad ASM
8:1	106-3229	1	Pad-Bumper
8:2	107-1697-01	1	Plate-Stop
8:3	3269-24	2	Rivet
9	3290-357	5	Nut-HHF
10	302-5	1	Fitting-Grease
11	3231-31	1	Screw-CARR
12	108-4072	1	Guide-Belt
13	3231-1	1	Screw-CARR
14	323-12	1	Screw-HH
15	2844	2	Washer
16	3256-4	1	Washer-Flat
17	108-4063	1	Spacer-Rubber



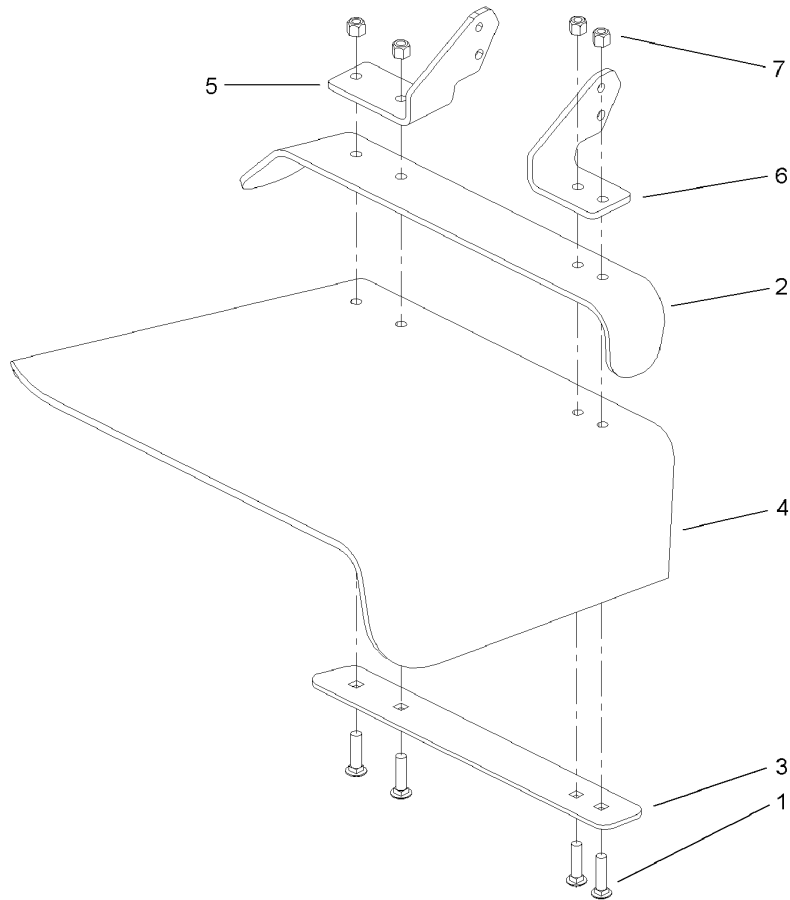
Spindle Assembly No. 107-8504

Ref	Part No.	Qty.	Description
1	10-8040	1	Key-Square
2	106-3277	1	Hub-Pulley
3	103-0865	1	Washer-Blade Bolt, Heavy
4	106-3204	2	Shield-Bearing
⑤5		1	Spindle Bearing ASM
5:1	106-3211	1	Housing-Spindle
5:2	113514	2	Bearing-Ball
5:3	107-8502	1	Spacer-Bearing
5:4	302-5	1	Fitting-Grease
6	3-8514	2	Washer-Thrust
7	107-8501	1	Spindle ASM
8	3219-6	1	Nut-Hex



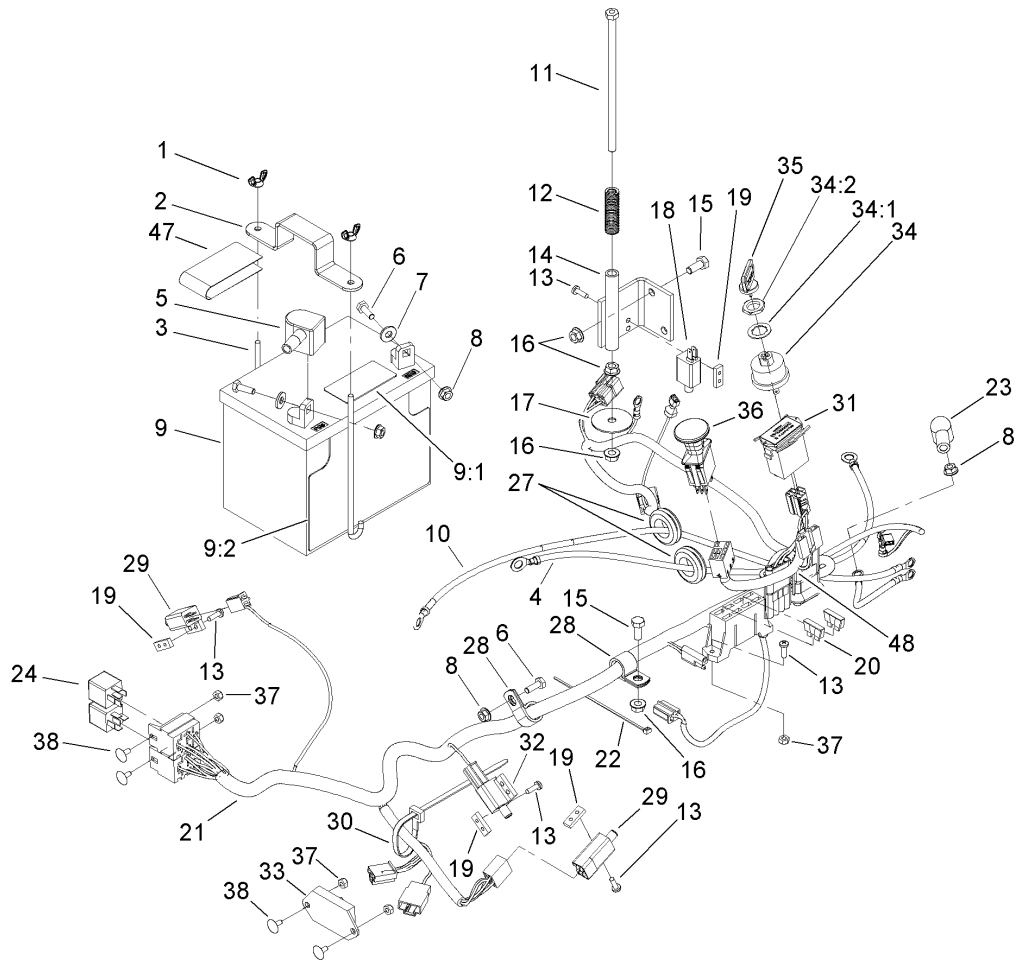
Deck Decal Assembly No. 107-1669

Ref	Part No.	Qty.	Description
2	54-9220	1	Decal-Danger
3	66-1340	1	Decal-Danger
4	98-5954	3	Decal-Missing, Cover
5	1-403005	1	Decal-Danger
6	68-8340	1	Decal-Torque
7	107-1687	1	Decal-Aid, Service
8	105-7798	1	Decal-Scalp, Anti
9	58-6520	3	Decal-Grease
10	107-1622	1	Decal-Adjustment, Baffle
11	107-1613	2	Decal-Grease
12	107-1618	1	Decal-Turbo Force
14	104-8569	1	Decal-Warning



Rubber Deflector Assembly No. 108-2792

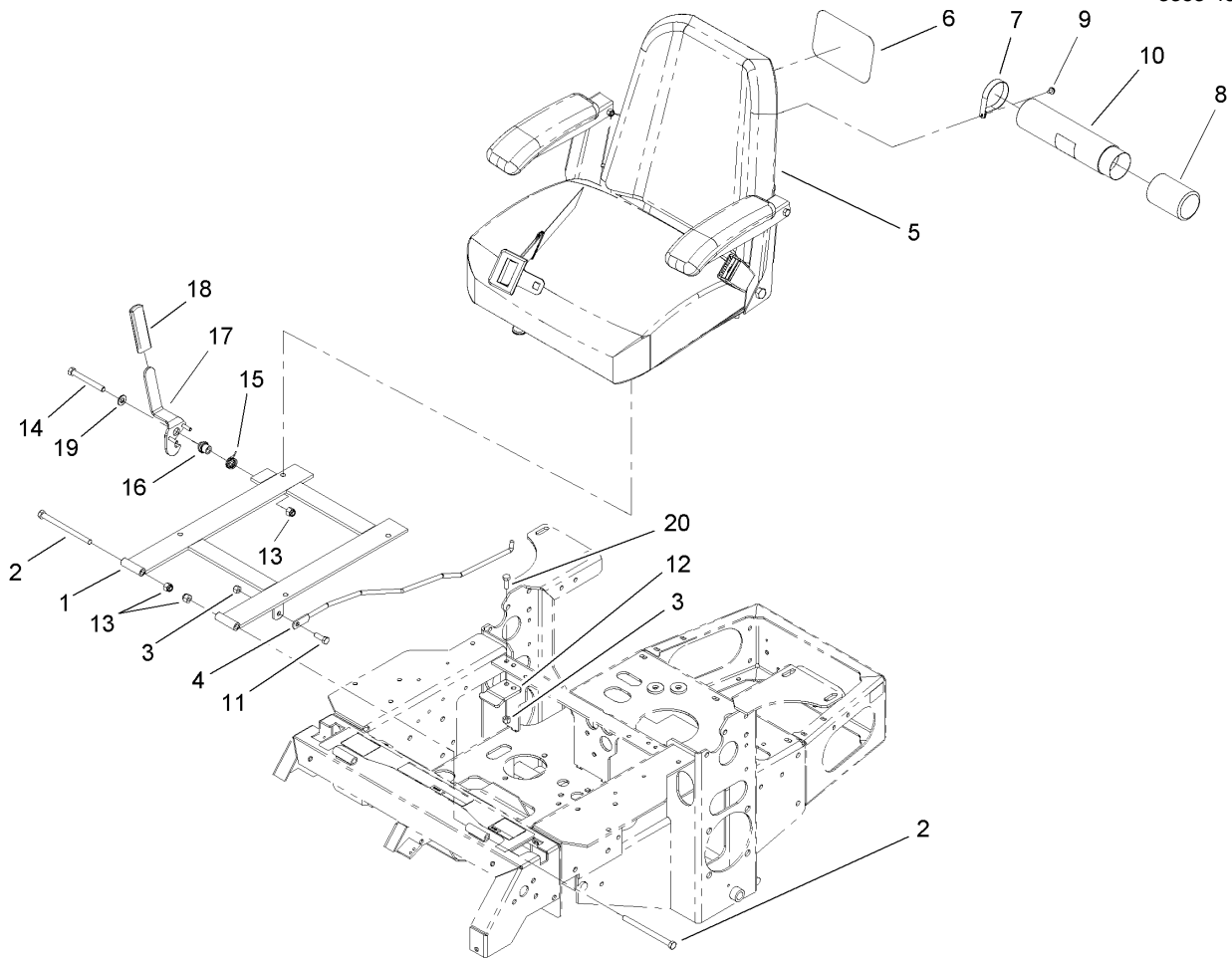
Ref	Part No.	Qty.	Description
1	3231-4	4	Screw-CARR
2	106-3246-01	1	Deflector
3	106-3248-03	1	Strap-Discharge
4	108-5029	1	Deflector-Rubber
5	108-4059-01	1	Plate-Hinge, Rear
6	106-3253-01	1	Plate-Hinge, Front
7	3296-39	4	Nut-Lock, NI



Electrical System Assembly

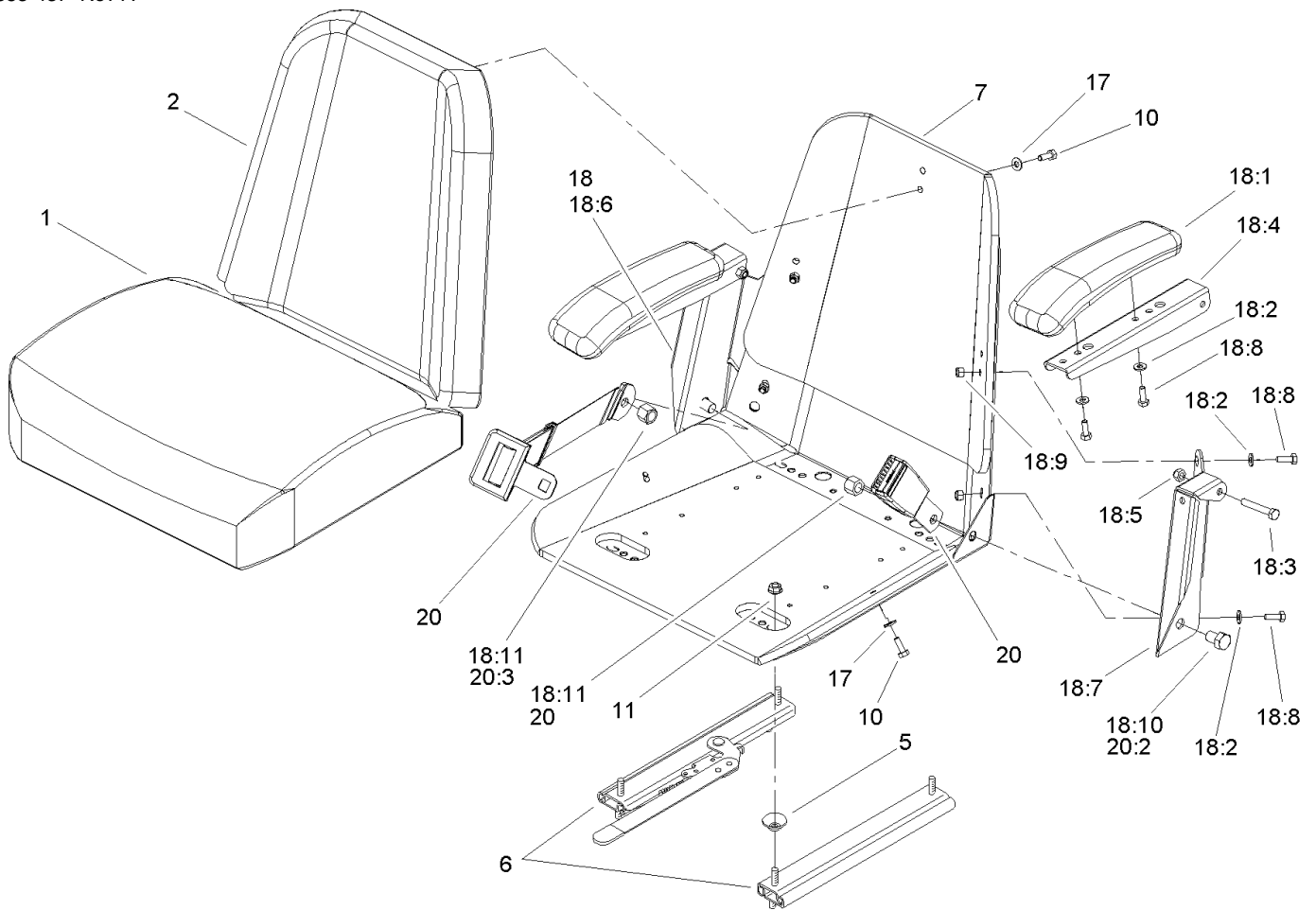
Ref	Part No.	Qty.	Description
1	1-543792	2	Wingnut
2	1-633652-03	1	Strap-Holddown
3	1-633651	2	Bolt-Holddown
4	103-0705	1	Cable-Ground, Negative
5	1-543391	1	Insulator-Battery
6	321-4	3	Screw-HH
7	3256-2	2	Washer-Flat
8	32128-33	3	Nut-HF
9	105-1692	1	Battery
9:1	104-4163	1	Decal-Battery
9:2	104-4164	1	Decal-Battery
10	1-523281	1	Wire-Starter
11	1-800282	1	Screw-HH
12	1-523415	1	Spring-Switch, Seat
13	1-803075	10	Screw-Head, Truss
14	1-652072-03	1	Bracket-Switch, Seat
15	322-3	3	Screw-HH
16	32128-20	5	Nut-HF
17	1-653036	1	Washer
18	1-513152	1	Switch-Closed, Normally
19	1-633181	4	Plate-Tapped
20	1-816001	2	Fuse-Blade Type, 20 Amp
21	107-8052	1	Harness-Electrical
22	1-303287	2	Tie-Plastic

Ref	Part No.	Qty.	Description
23	1-543393	1	Insulator-Solenoid
24	1-643275	2	Relay
27	1-543286	3	Grommet
28	1-633396	2	Clip-Loom
29	1-513051	2	Switch-Open, Normally
30	1-303335	4	Tie-Plastic
31	1-513374	1	Meter-Hour
32	1-633111	1	Switch
33	100-6186	1	Module-Delay, Seat
34	88-9830	1	Key Switch ASM
34:1	3254-5	1	Washer-Tooth
34:2	218-461	1	Nut-HH
35	63-8360	2	Key-Ignition
36	1-633673	1	Switch-Delta
37	3296-2	6	Nut-Lock
38	1-807513	4	Bolt-CARR
47	107-9309	1	Decal-Instructions, Charging
48	107-8054	1	Harness-Electrical, Control Panel



Seat and Bracket Assembly

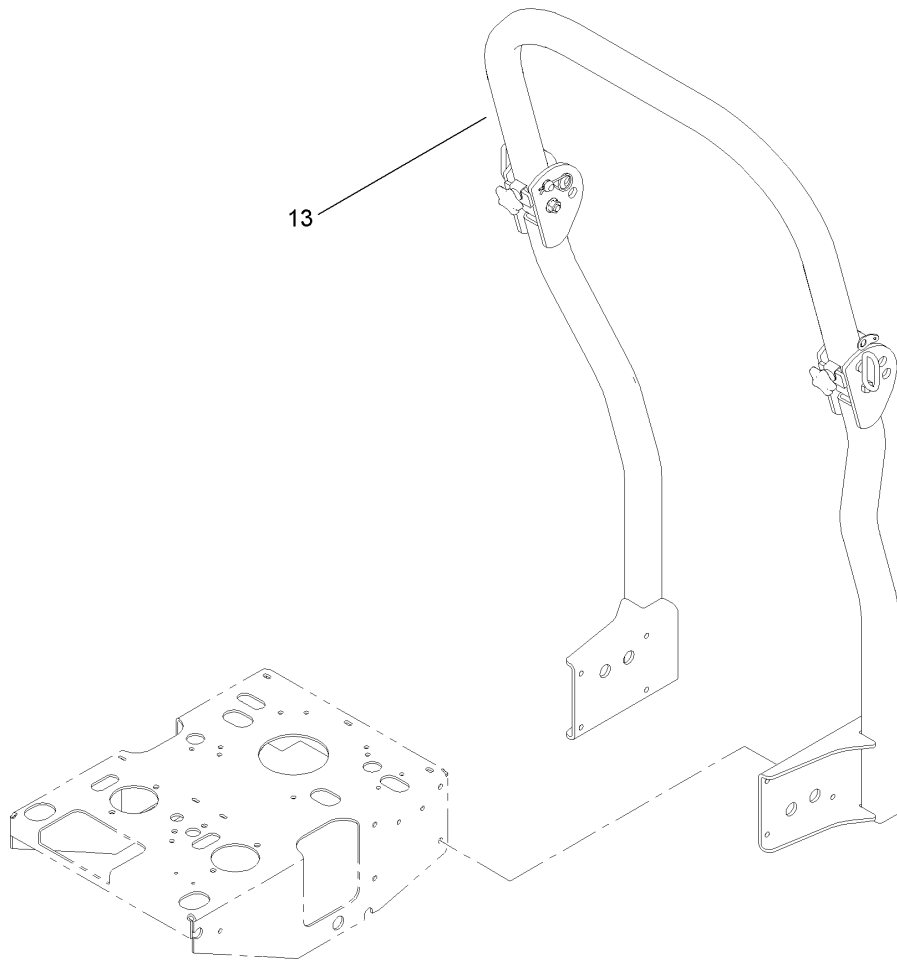
Ref	Part No.	Qty.	Description				
1	107-3052-03	1	Seat Support Frame ASM				
2	323-39	2	Screw-HH				
3	3296-29	3	Nut-Lock, NI				
4	103-1731	1	Rod-Retainer, Seat				
5	107-1867	1	Seat ASM				
6	99-4693	1	Decal				
7	2412-120	2	R-Clamp				
8	104-7048	1	Cap-Housing				
9	32104-76	2	Screw				
10	104-7050	1	Housing-Manual				
11	322-5	1	Screw-HH				
12	103-5961	1	Catch-Latch, Seat				
13	3296-39	3	Nut-Lock, NI				
14	323-20	1	Screw-HH				
15	107-0076	1	Spring-Torsion				
16	107-0075	1	Bushing-Latch, Seat				
17	107-3083	1	Latch ASM				
18	62-9130	1	Grip-Handle				
19	3256-24	1	Washer-Flat				
20	322-4	2	Screw-HH				



Seat Assembly No. 107-1867

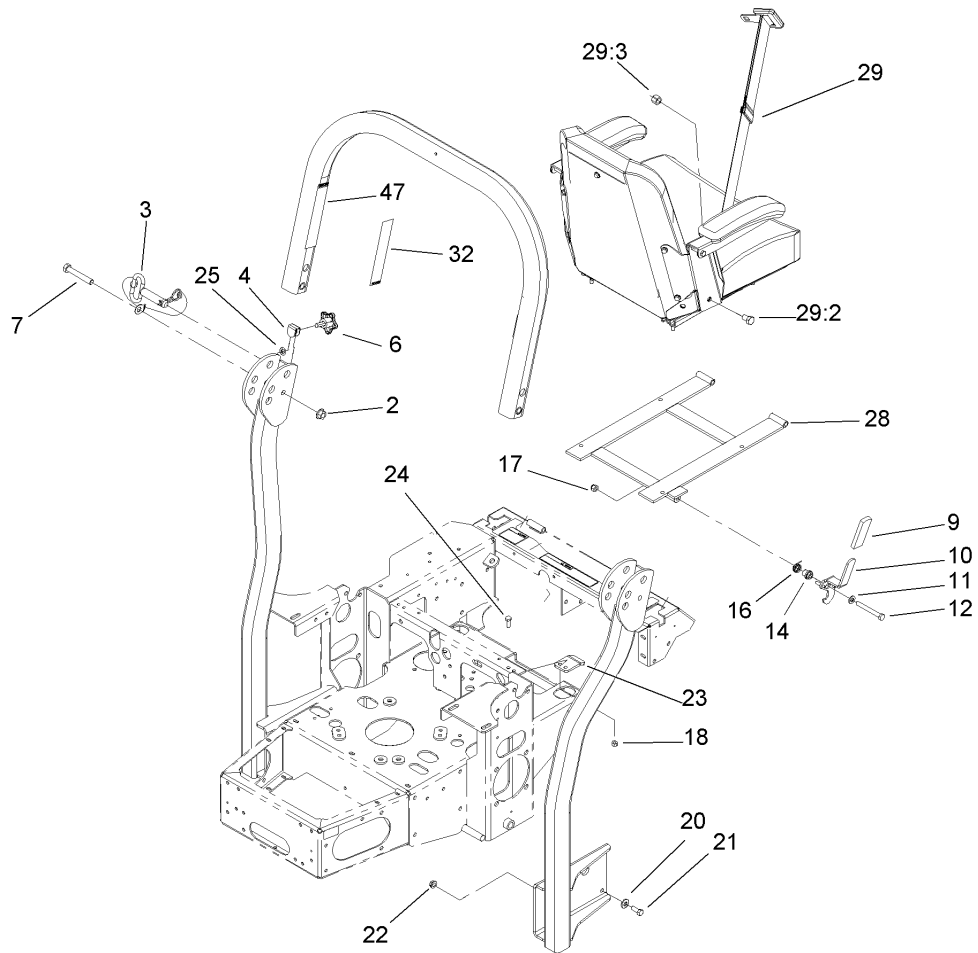
Ref	Part No.	Qty.	Description
1	103-0290	1	Cushion-Seat, Bottom
2	104-7754	1	Cushion-Seat, Back
5	1-543401	4	Spacer-Track
6	1-643255	1	Track-Seat
7	1-633859	1	Frame-Seat
10	321-30	11	Screw-HH
11	32128-20	4	Nut-HF
17	3256-22	11	Washer-Flat
18	105-3620	1	Armrest Kit
18:1	1-633710	2	Cushion-Armrest
18:2	3256-22	4	Washer-Flat
18:3	322-10	2	Screw-HH
18:4	105-3623	2	Channel-Armrest
18:5	32153-3	2	Nut-Lock, Side
18:6	105-3621	1	Bracket-Armrest, RH
18:7	105-3622	1	Bracket-Armrest, LH
18:8	321-30	6	Screw-HH
18:9	3296-42	4	Nut-Lock, NI
18:10	325-2	2	Screw-HH
18:11	3296-23	2	Nut-Lock, NI
20	103-4469	1	Seatbelt Kit
20:2	3212-4	2	Screw-HH
20:3	3296-38	2	Nut-Lock NI

--	--	--	--



Roll-Over-Protection-System Assembly

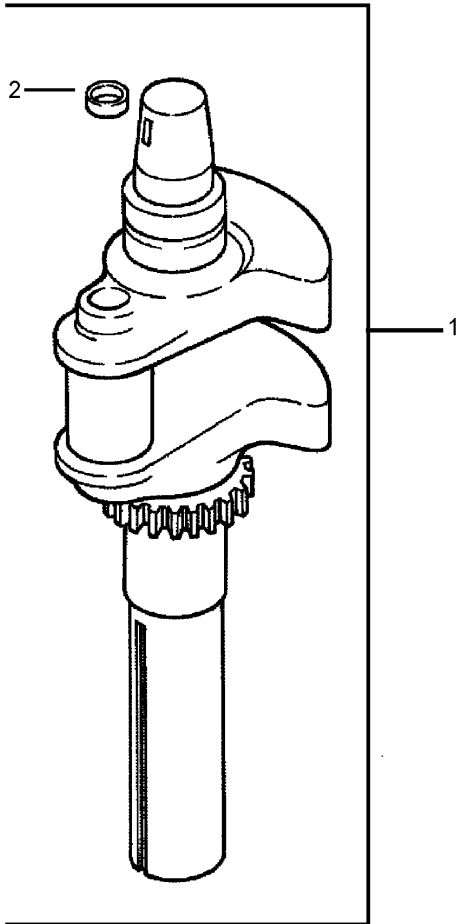
Ref	Part No.	Qty.	Description				
13	107-8093	1	ROPS ASM				



Roll-Over-Protection System Assembly No. 107-8093

Ref	Part No.	Qty.	Description
2	32128-23	2	Nut-HF
3	103-4553	2	ROPS Fold Pin ASM
4	107-3124	2	Clip
6	106-0887	2	Knob
7	325-13	2	Screw-HH
9	62-9130	1	Grip-Handle
10	107-3083	1	Latch ASM
11	3256-24	1	Washer-Flat
12	323-20	1	Screw-HH
14	107-0075	1	Bushing-Latch, Seat
16	107-0076	1	Spring-Torsion
17	3296-39	1	Nut-Lock, NI
18	3296-29	2	Nut-Lock, NI
20	98-5975	8	Washer-Belleville
21	323-6	8	Screw-HH
22	3290-357	8	Nut-HHF
23	107-3059	1	Catch-Latch, Seat
24	322-4	2	Screw-HH
25	107-3154	2	Nut-Push
28	107-3052-03	1	Seat Support Frame ASM
29	103-4469	1	Seatbelt Kit
29:2	3212-4	2	Screw-HH
29:3	3296-38	2	Nut-Lock NI
32	107-3069	1	Decal-Warning, Folding ROPS

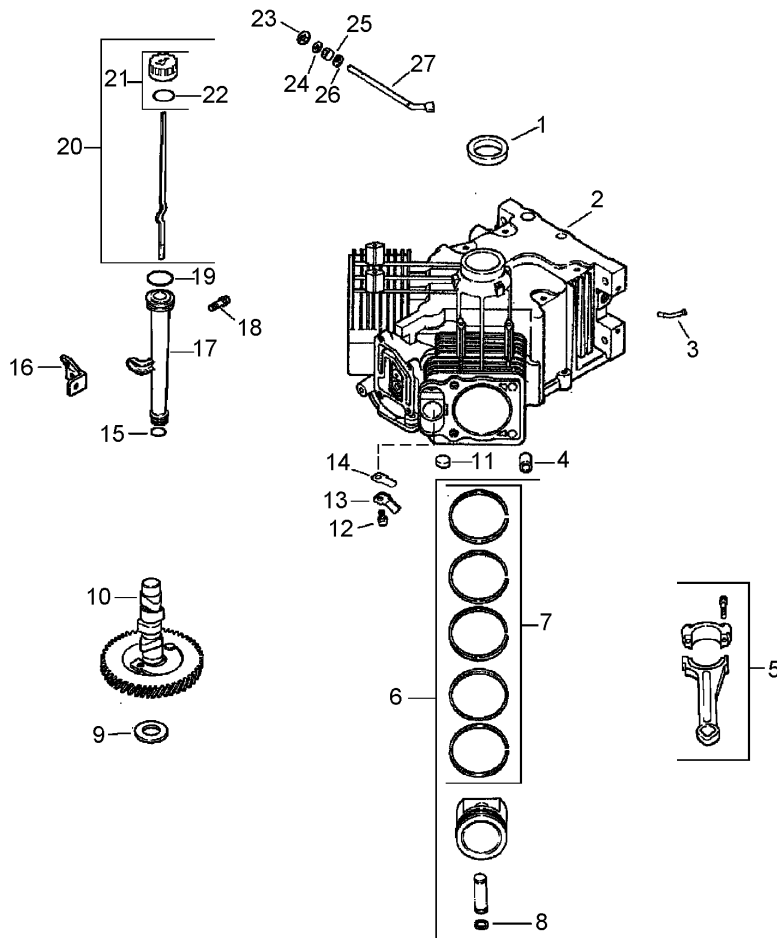
Ref	Part No.	Qty.	Description
47	107-2102	1	Decal-Warning, Folding ROPS



Crankshaft Assembly Kohler CV20S-65601

Ref	Part No.	Qty.	Description
❶	24 014 32-S	1	Crankshaft (Incl. Ref. # 2)
❷	52 139 09-S	1	Plug-Cup

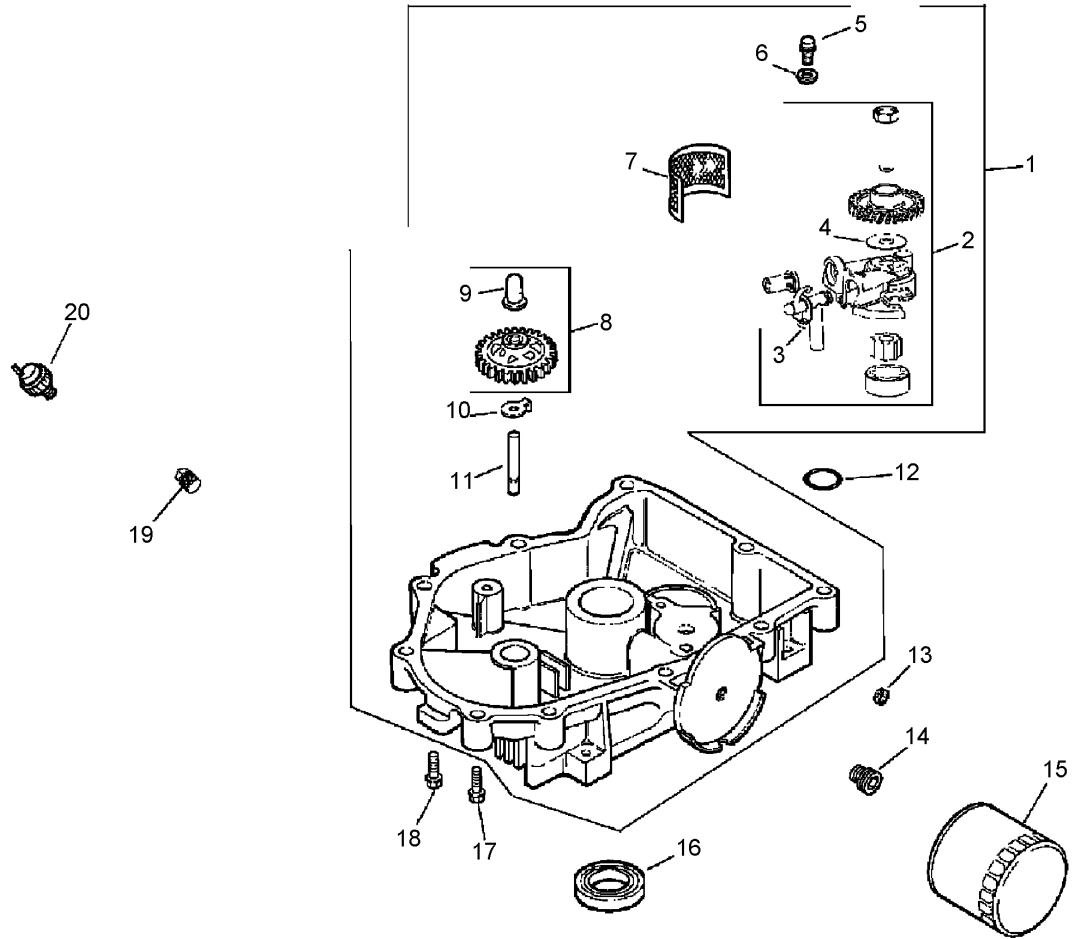
--	--	--	--



Crankcase Assembly Kohler CV20S-65601

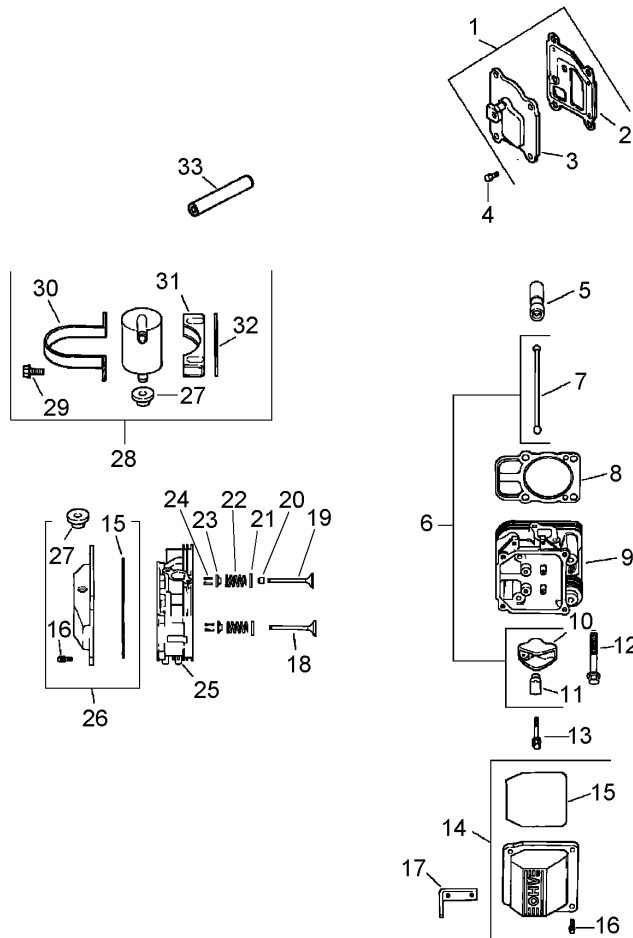
Ref	Part No.	Qty.	Description
❶	24 032 01-S	1	Seal-Oil, Front
❷	N/A	1	Short Block
❸	24 294 13-S	1	Fitting
❹	24 380 13-S	6	Pin-Locating
❺	24 067 13-S	2	Rod-Connecting (STD.)
❻	24 067 14-S	2	Rod-Connecting (.25)
❼	24 874 17-S	2	Piston W/Ring Set (STD.) (Incl. Ref. # 7,8)
❽	24 874 14-S	2	Piston W/Ring (.08)
❾	24 874 18-S	2	Set-Piston W/Ring (.25)
❿	24 874 19-S	2	Set-Piston W/Ring (.50)
⓫	24 108 11-S	2	Ring Set (STD.)
⓬	24 108 12-S	2	Ring Set (.25)
⓭	24 108 13-S	2	Set-Ring (.50)
⓮	24 018 01-S	4	Retainer-Pin, Piston
⓯	12 422 09-S	1	Shim-Camshaft, Red
⓰	12 422 13-S	1	Shim-Camshaft, Black
⓱	12 422 07-S	1	Shim-Camshaft, White
⓲	12 422 08-S	1	Shim-Camshaft, Blue
⓳	12 422 10-S	1	Shim-Camshaft, Yellow
⓴	12 422 11-S	1	Shim-Camshaft, Green
⓵	12 422 12-S	1	Shim-Camshaft, Gray
⓶	24 012 10-S	1	Camshaft (Incl. Ref. # 11,12)
⓷	52 139 09-S	1	Plug-Cup

Ref	Part No.	Qty.	Description
❸	M-545010-S	2	Screw-HF (M5X0.8X10)
❹	24 018 04-S	2	Retainer-Reed
❺	24 402 05-S	2	Reed, Breather
❻	12 153 01-S	1	O-Ring (Lower Oil Fill Tube)
❼	24 126 19-S	1	Bracket-Tube, Oil Fill
❽	12 123 04-S	1	Tube-Fill, Oil
❾	M-545016-S	1	Screw-HF (M5X0.8X16)
❿	12 153 02-S	1	O-Ring
⓫	24 038 04-S	1	Dipstick Assembly (Incl. Ref. # 21,22)
⓬	25 755 13-S	1	Kit, Oil Fill Cap (Incl. Ref. # 22)
⓭	25 153 02-S	1	O-Ring
⓮	24 018 09-S	1	Retainer-Ring
⓯	M-931010-S	1	Washer-Plain (9Mm)
⓰	28 032 09-S	1	Seal-Cross Shaft, Governor
⓱	24 468 15-S	1	Washer-Flat (1/4In)
⓲	24 144 38-S	1	Shaft-Cross, Governor



Oil Pan / Lubrication Assembly Kohler CV20S-65601

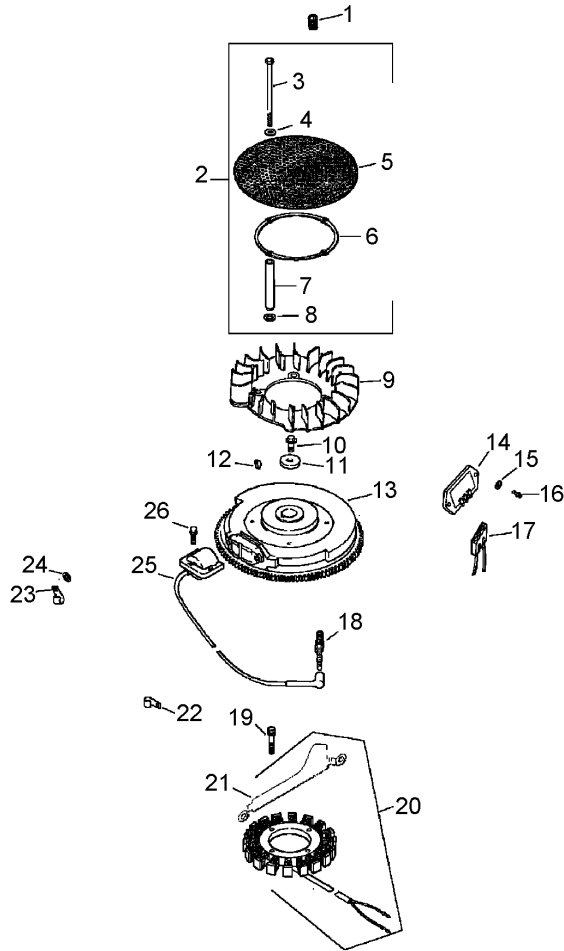
Ref	Part No.	Qty.	Description
❶	24 199 07-S	1	Pan Assembly, Oil (Incl. Ref. # 2-11)
❷	24 393 37-S	1	Pump Assembly, Oil (Incl. Ref. # 3,4)
❸	24 381 11-S	1	Tube, Oil Pickup
❹	24 153 01-S	1	O-Ring (Oil Pick Up)
❺	M-645025-S	2	Screw-HF (M6X1.0X25)
❻	M-631005-S	2	Washer-Plain (6Mm)
❼	24 162 26-S	1	Screen, Oil
❽	24 043 12-S	1	Kit, Governor Gear W/Pin (Incl. Ref. # 9)
❾	12 380 01-S	1	Pin-Regulating, Governor
❿	24 448 02-S	1	Tab-Locking
⓫	12 144 02-S	1	Shaft-Gear, Governor
⓬	24 153 08-S	1	O-Ring
⓭	25 139 62-S	1	Plug, Pipe 3/8In Hex Ctsk
⓮	24 136 01-S	1	Nipple-Filter, Oil
⓯	12 050 01-S	1	Filter-Oil
⓰	52 032 08-S	1	Seal-Oil (PTO End)
⓱	24 086 17-S	1	Screw-HF (M8X1.25X45)
⓲	24 086 16-S	9	Screw-HF (M8X1.25X45)
⓳	25 139 57-S	1	Plug-SQH (3/8In NPTF)
⓴	24 099 03-S	1	Switch-Pressure



Head / Valve / Breather Assembly Kohler CV20S-65601

Ref	Part No.	Qty.	Description
1	24 033 03-S	1	Kit, Breather Cover W/Gasket (Incl. Ref. # 2,3)
2	24 041 51-S	1	Gasket-Breather
3	24 096 87-S	1	Cover, Breather
4	M-645020-S	4	Screw-HF (M6X1.0X20)
5	25 351 01-S	4	Lifter-Valve
6	24 755 66-S	1	Kit, Valve Train (Incl. Ref. # 7,10,11)
7	24 411 05-S	4	Rod-Push
8	24 841 01-S	2	Cylinder Head Gasket Kit
9	24 318 70-S	1	Head Assembly, No.2 Cylinder
10	25 186 01-S	4	Arm-Rocker
11	24 599 01-S	4	Pivot-Arm, Rocker
12	12 086 16-S	8	Screw-HF, Reduced
13	66 086 07-S	4	Screw
14	24 755 141-S	1	Kit, Valve Cover - Plain (Incl. Ref. # 15,16)
15	24 153 28-S	1	O-Ring (Valve Cover)
16	M-651030-S	4	Screw-HF (M6X1.0X30)
17	24 445 01-S	1	Strap-Lifting
18	24 016 01-S	2	Valve-Exhaust (STD.)
19	24 016 02-S	2	Valve-Exhaust (.25)
20	24 017 01-S	2	Valve-Intake (STD.)
21	24 017 02-S	2	Valve-Intake (.25)
22	66 032 05-S	2	Seal-Stem, Valve

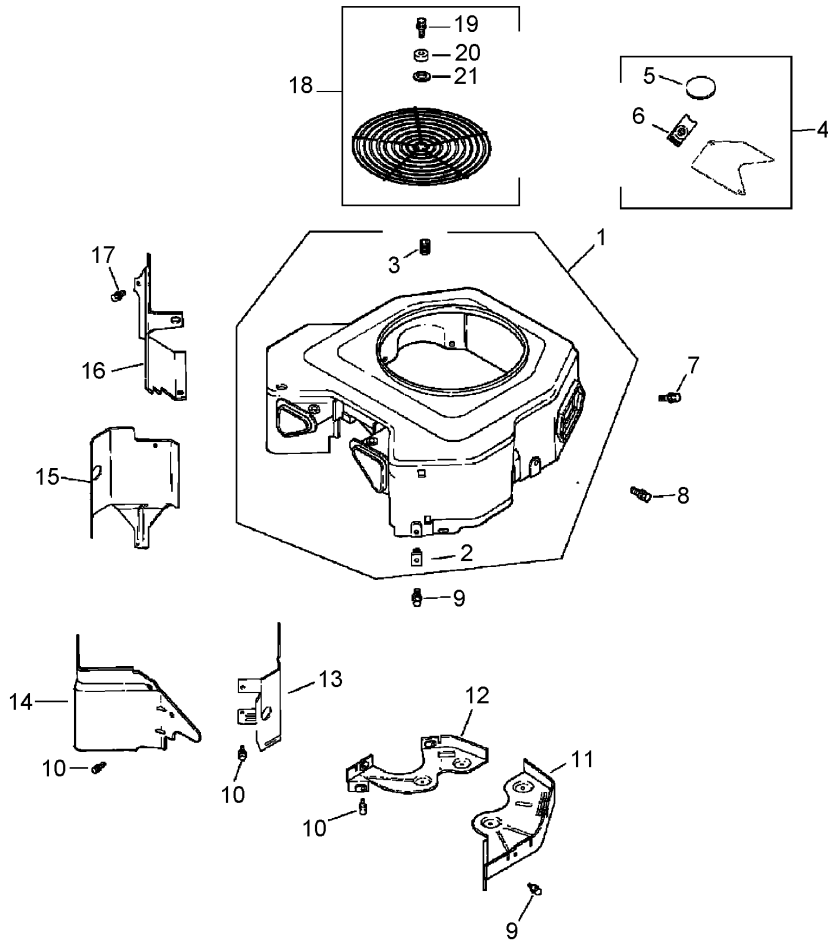
Ref	Part No.	Qty.	Description
21	235011-S	4	Retainer-Spring
22	24 089 02-S	4	Spring-Valve
23	12 173 01-S	4	Cap-Spring, Valve
24	12 755 03-S	4	Retainer Kit
25	24 318 67-S	1	Head Assembly, No.1 Cylinder
26	24 755 142-S	1	Kit, Valve Cover - Breather (Incl. Ref. # 15,16,27)
27	25 313 03-S	1	Grommet, Rubber
28	24 755 57-S	1	Kit, Breather Separator (Incl. Ref. # 27,29-32)
29	M-545016-S	2	Screw-HF (M5X0.8X16)
30	24 445 02-S	1	Strap, Breather
31	24 126 44-S	1	Bracket, Breather Separator
32	24 112 12-S	1	Spacer
33	24 326 54-S	1	Hose, Breather



Ignition / Electrical Assembly Kohler CV20S-65601

Ref	Part No.	Qty.	Description
❶	25 086 43-S	1	Screw-Set
❷	24 755 79-S	1	Kit, Chopper Screen (Incl. Ref. # 3-8, And 41 037 10-S)
❸	M-603100-S	4	Screw-Hex. Hd., M6X1.0X100
❹	X-25-53-S	4	Washer-Plain, 1/4In
❺	24 162 25-S	1	Screen-Grass
❻	24 141 06-S	1	Ring-Support
❼	24 112 14-S	4	Spacer
❽	24 468 11-S	1	Washer-Spring
❾	24 157 08-S	1	Fan
❿	12 086 14-S	1	Screw-HF (M10X1.5X46)
⓫	12 468 03-S	1	Washer-Plain (3/8In)
⓬	X-42-15-S	1	Key
⓭	24 025 01-S	1	Flywheel
⓮	41 403 09-S	1	Rectifier-Regulator
⓯	X-25-92-S	2	Washer-Plain
⓰	24 086 18-S	2	Screw-Head, Phillips
⓱	236602-S	1	Connector
⓲	12 132 02-S	2	Spark Plug
⓳	M-548025-S	2	Screw (M5X0.8X25)
⓴	54 755 09-S	1	Kit, 15 Amp Stator (Incl. Ref. # 21)
⓵	24 126 139-S	1	Bracket-Wire, Stator
⓶	235173-S	1	Clip-Cable
⓷	48 154 02-S	1	Clip-Cable

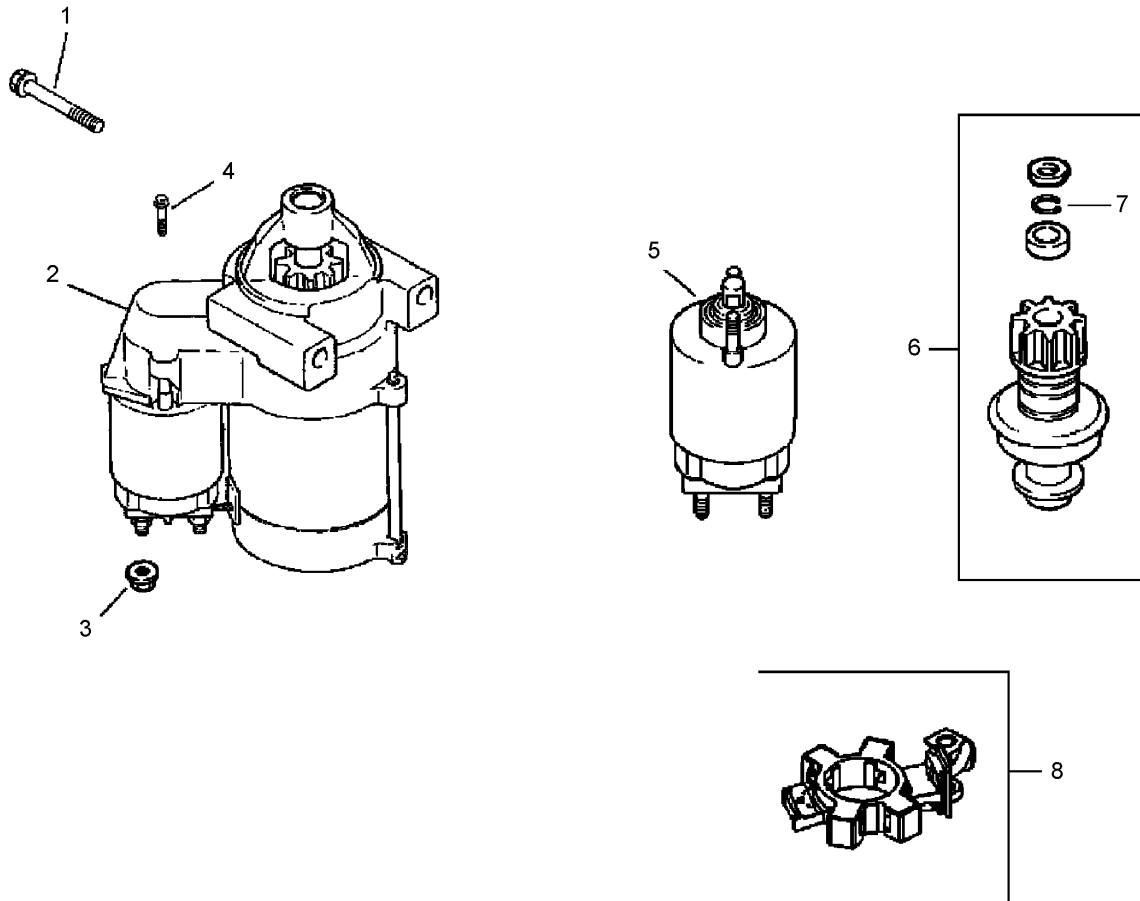
Ref	Part No.	Qty.	Description
⓸	X-25-63-S	1	Washer-Plain (1/4In)
⓹	24 584 01-S	2	Module-Ignition
⓺	M-545020-S	4	Screw-HF (M5X0.8X20)
⓻	24 176 109-S	1	Harness-Wiring
⓼	24 126 137-S	1	Bracket-Strap, Ground
⓽	25 468 07-S	1	Washer
⓾	24 113 18-S	1	Decal-Screen, Grass
⓿	25 454 03-S	3	Tie-Cable



Lower Housing Assembly Kohler CV20S-65601

Ref	Part No.	Qty.	Description
1	24 027 160-S	1	Housing, Blower (Incl. 2-4, 10, And 24 332 01-S)
2	24 100 02-S	2	Nut-Plastic
3	25 086 43-S	1	Screw-Set
4	25 755 20-S	2	Kit, Access Cover (Incl. 5, 6, 10, And 24 113 126-S)
5	25 139 16-S	1	Plug-Button (9/16In)
6	25 154 02-S	4	Clip
7	M-551016-S	1	Screw-HF (M5X0.8X16)
8	M-545016-S	3	Screw-HF (M5X0.8X16)
9	M-545020-S	4	Screw-HF (M5X0.8X20)
10	M-645016-S	10	Screw-HF (M6X1.0X16)
11	24 146 16-S	1	Plate-Backing, No. 2 Side
12	24 146 20-S	1	Plate-Backing (No. 1 Side)
13	24 063 20-S	1	Baffle-Cylinder Barrel, No.2 Side
14	24 063 14-S	1	Baffle, Valley-#2 Side
15	24 063 58-S	1	Baffle-Barrel, Cylinder (No. 1 Side)
16	24 063 60-S	1	Baffle, Valley-No.1 Side
17	M-545010-S	2	Screw-HF (M5X0.8X10)
18	24 755 94-S	1	Kit, Guard (Incl. 19-21 And 24 332 01-S)
19	24 086 39-S	3	Screw, Pan Hd.
20	24 112 09-S	3	Spacer
21	24 468 10-S	3	Washer-Plain (1/4In)

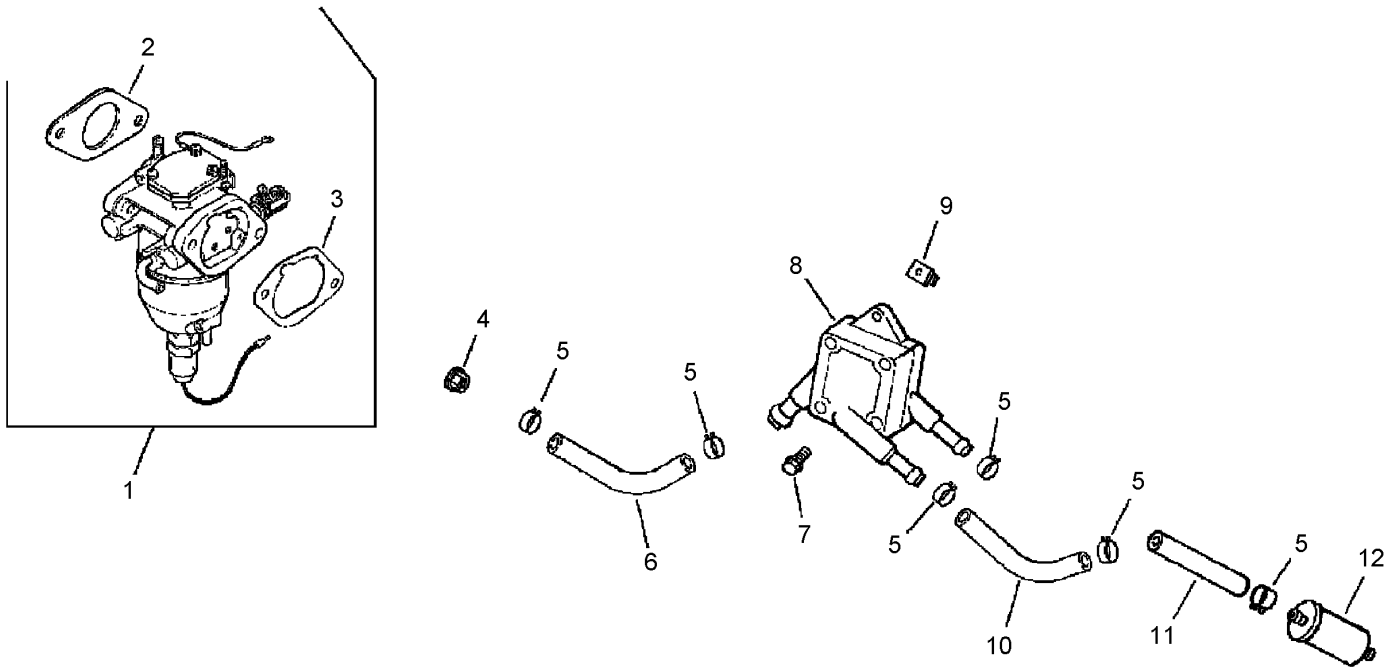
Ref	Part No.	Qty.	Description
1	24 332 01-S	3	Insert-Threaded
1	24 113 129-S	1	Decal, 20 Hp
1	25 113 39-S	1	Decal-Lamination, Clear
1	24 113 126-S	1	Decal, Keyswitch



Starter Assembly Kohler CV20S-65601

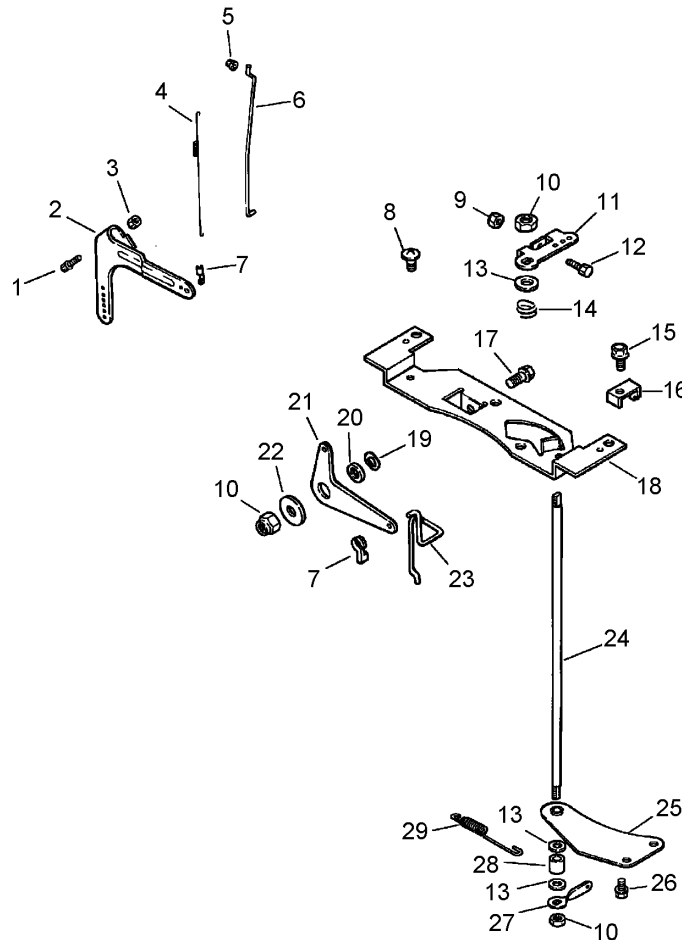
Ref	Part No.	Qty.	Description
①	M-839080-S	2	Screw-HF (M8X1.25X80)
②	25 098 09-S	1	Starter, Solenoid Shift (Incl. 3-8)
③	M-841080-S	1	Nut-HF (M8X1.25)
④	25 086 113-S	3	Screw-Torx Head, External
⑤	25 435 05-S	1	Kit, Solenoid (Incl. 4)
⑥	25 755 33-S	1	Kit, Drive (Incl. 7)
⑦	25 141 05-S	1	Ring
⑧	25 221 01-S	1	Brush Kit

--	--	--	--



Fuel System Assembly Kohler CV20S-65601

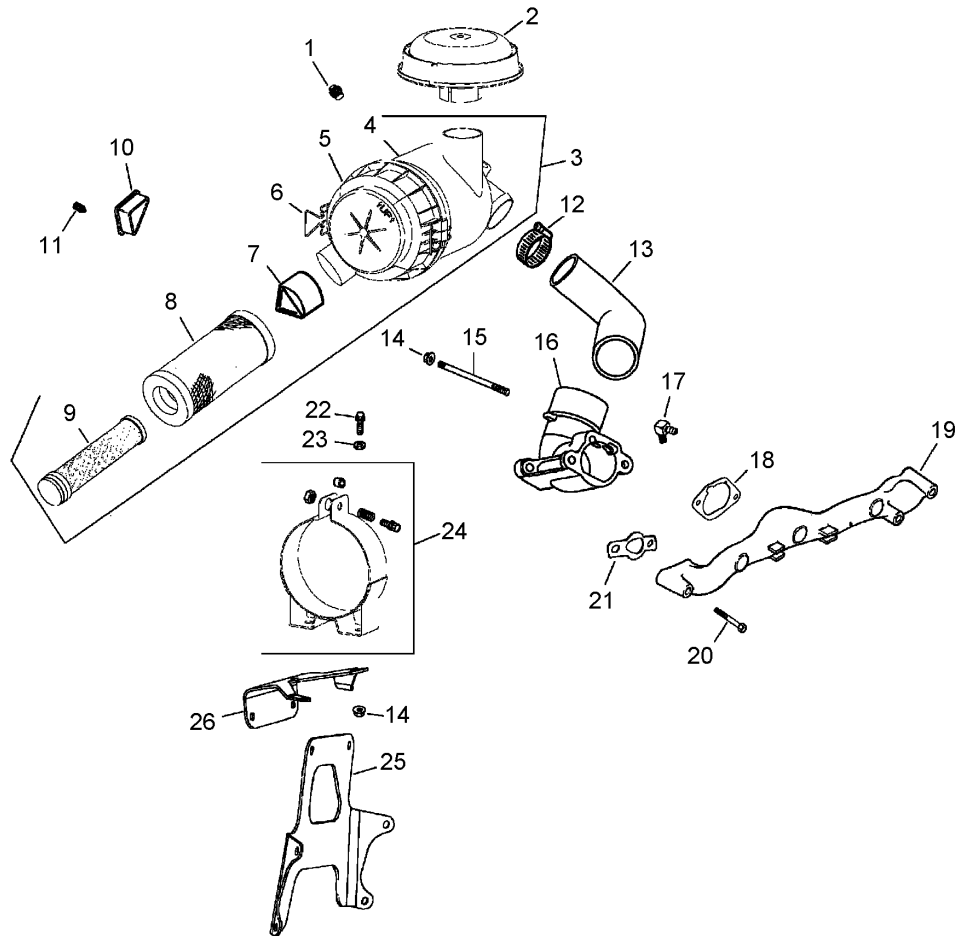
Ref	Part No.	Qty.	Description
● 1	24 853 99-S	1	Kit, Carburetor W/Gaskets
● 2	24 041 15-S	1	Gasket, Carburetor
● 3	24 041 14-S	1	Gasket, Air Cleaner
● 4	M-641060-S	2	Nut-HF
● 5	25 237 14-S	6	Clamp
● 6	25 353 04-S	1	Line, Fuel 6-1/4
● 7	24 086 12-S	2	Screw
● 8	24 393 16-S	1	Pump-Fuel
● 9	24 100 01-S	2	Nut-Plastic
● 10	24 353 03-S	1	Line, Fuel 10-1/2
● 11	28 353 01-S	1	Line, Fuel 13
● 12	24 050 02-S	1	Filter-Fuel
● ●	24 234 02-S	1	Bowl, Float
● ●	24 431 01-S	1	Sleeve-Insulating
● ●	24 757 18-S	1	Kit, Overhaul W/Gaskets
● ●	24 757 19-S	1	Kit, Choke Repair W/Gaskets
● ●	24 757 20-S	1	Kit, Gasket W/Gaskets
● ●	24 757 21-S	1	Kit, Accelerator Pump W/Gaskets
● ●	24 757 22-S	1	Kit, Solenoid Replacement W/Gaskets



Engine Control Assembly Kohler CV20S-65601

Ref	Part No.	Qty.	Description
❶	24 211 03-S	1	Bolt-Square Neck, Round Head
❷	24 090 33-S	1	Lever-Governor
❸	M-641060-S	1	Nut-HF
❹	24 089 01-S	1	Spring-Linkage
❺	25 158 08-S	1	Bushing-Retaining, Linkage
❻	24 079 04-S	1	Linkage, Throttle
❼	25 158 11-S	2	Bushing-Retaining, Linkage
❽	24 086 06-S	2	Screw-Head, Phillips (11-16X3/4)
❾	M-446030-S	1	Nut-HF (M4X0.7)
❿	M-647060-S	3	Nut
⓫	24 090 09-S	1	Lever, Throttle Control
⓬	M-401030-S	1	Screw (M4X0.7X30)
⓭	X-25-72-S	3	Washer, Plain 1/4
⓮	24 089 20-S	1	Spring, Throttle Shaft
⓯	M-545016-S	2	Screw-HF (M5X0.8X16)
⓰	12 237 01-S	2	Clamp-Cable
⓱	M-639016-S	1	Screw-HF (M6X1.0X16)
⓲	24 126 111-S	1	Bracket, Control
⓳	277341-S	1	Washer, Spring 3/8
⓴	25 431 01-S	1	Spacer
⓵	24 090 20-S	1	Lever, Choke
⓶	X-25-52-S	1	Washer
⓷	24 079 10-S	1	Linkage, Choke
⓸	24 144 11-S	1	Shaft, Throttle

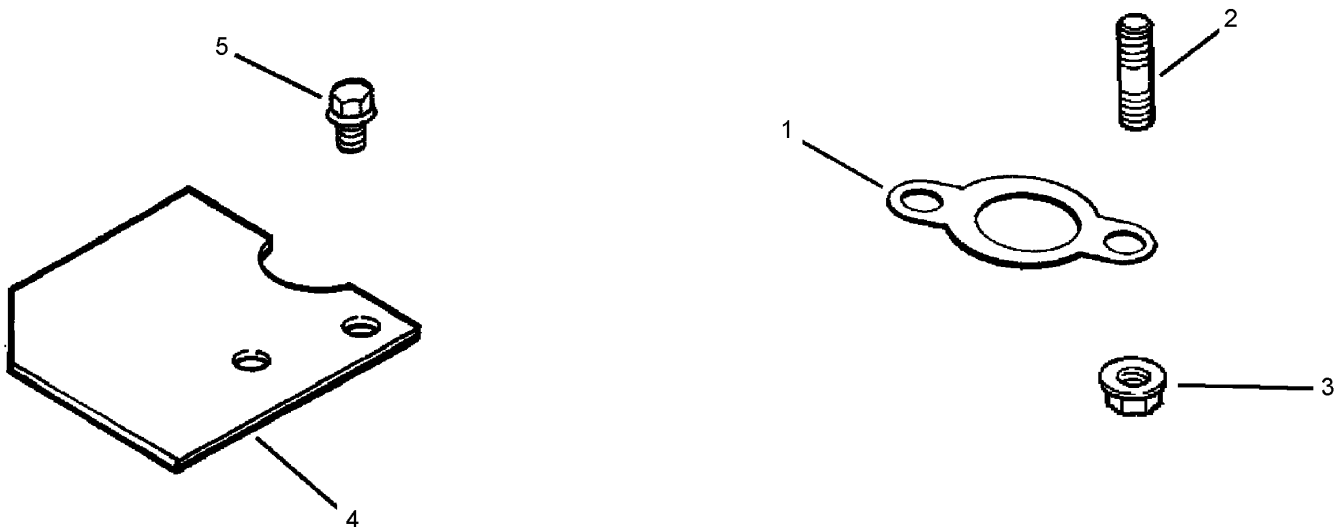
Ref	Part No.	Qty.	Description
⓶	24 126 17-S	1	Bracket, Throttle Shaft
⓷	M-645016-S	3	Screw-HF (M6X1.0X16)
⓸	24 090 12-S	1	Lever, Throttle Control
⓹	24 112 10-S	1	Spacer
⓺	24 089 45-S	1	Spring-Governor



Air Intake / Filtration Assembly Kohler CV20S-65601

Ref	Part No.	Qty.	Description
❶	25 139 20-S	1	Plug-Pipe
❷	25 324 02-S	1	Hood-Cleaner, Air
❸	25 048 07-S	1	Assembly, Air Cleaner (Incl. 4-9)
❹	25 081 01-S	1	Housing-Air Cleaner, Heavy Duty
❺	25 096 06-S	1	Cover ASM
❻	25 154 05-S	2	Clip
❼	24 462 07-S	1	Valve-Ejector, Dust
❽	25 083 01-S	1	Element-Air, Primary
❾	25 083 04-S	1	Element-Air, Safety
❿	24 096 17-S	2	Cover-Blower Housing
⓫	25 086 91-S	2	Screw
⓬	M-639016-S	4	Screw-HF (M6X1.0X16)
⓭	25 237 07-S	2	Clamp-Hose
⓮	24 326 53-S	1	Hose, Air Cleaner
⓯	M-647060-S	4	Nut
⓰	25 468 01-S	1	Washer-Copper
⓱	24 072 10-S	1	Stud M6X1.0X60
⓲	M-629140-S	1	Stud, CarburetorM6X1.0X40
⓳	24 029 43-S	1	Adapter, Elbow
⓴	24 041 44-S	1	Gasket, Air Cleaneradapter
⓵	25 153 05-S	2	O-Ring, Heavy-Duty Air Cleaner
⓶	25 155 38-S	1	Connector, Hose
⓷	24 029 57-S	1	Adapter, Remoteheavy-Duty Air Cleaner

Ref	Part No.	Qty.	Description
❸❸	24 041 14-S	1	Gasket, Air Cleaner
❸❹	24 164 06-S	1	Manifold, Intake
❸❺	25 086 84-S	4	Screw-HF (M6X1.0X55)
❸❻	24 041 01-S	2	Gasket-Manifold, Intake
❸❼	X-25-73-S	2	Washer-Plain
❸❽	25 126 02-S	1	Hood-Air Cleaner, Heavy Duty
❸❾	24 126 104-S	1	Bracket, Air Cleaner Mounting
❸❿	24 126 105-S	1	Bracket, Main Support
❸⓫	47 154 01-S	1	Clip-Cable
❸❹	25 113 27-S	1	Decal-Cleaner, Air
❸❻	25 454 04-S	1	Tie-Wire



Exhaust Assembly Kohler CV20S-65601

Ref	Part No.	Qty.	Description			
1	24 041 49-S	2	Gasket-Exhaust			
2	25 072 04-S	4	Stud (M8X1.25X33)			
3	M-841080-S	4	Nut-HF (M8X1.25)			
4	24 265 09-S	2	Deflector, Heat			
5	M-645016-S	2	Screw-HF (M6X1.0X16)			
1	24 072 08-S	2	Stud, Exhaust			
1	M-641060-S	2	Nut-HF			
1	24 522 226	1	Short Block			
1	24 782 24	1	Miniblock			
1	24 755 107-S	1	Gasket Set			

Attachments and Accessories

For 74414 - Z450 Z Master, With 52in TURBO FORCE Side Discharge Mower

Product Name	Model/Part
Striping Kit	106-3370
Deck Lift Assist Kit	106-9749
Deluxe Suspension Seat	107-1891
Suspension Kit for Standard Seat	107-1892
Z Stand Kit, 400 Series Z Master	107-8599
Bagging Enhancement Kit	108-4091
Recycler Kit	59220
52in Finishing Kit (Twin)	78501
Twin Bagger	78507
DFS Vac Collection System	78510
Hitch kit	99-8924

NOTES

