



Z453 Z Master[®] With 52in TURBO FORCE Side Discharge Mower

Model No. 74416 - 250005001 and up.

Parts Catalog

Ordering Replacement Parts

To order replacement parts, please supply the part number, the quantity, and the description of each part desired.

Understanding Reference Numbers

Each Identified part in an illustration has a reference number. The reference number for a part also appears in the parts list, along with other information about the part.

This catalog uses two special reference number formats, one to indicate parts in a service assembly and another to indicate the quantity of a given part in an illustration.

Service Assembly Reference Numbers

Parts in service assemblies have reference numbers in the form a:b. The a represents the reference number of the entire service assembly and the b represents a sequential number unique to each part within the service assembly.

For example, a wheel assembly might be identified by reference number 6, the tire by 6:1, the valve by 6:2, and the wheel by 6:3. When you order the assembly identified by reference number 6, you receive all parts identified by reference numbers 6:1, 6:2, and 6:3. However, you may also order any part individually. Reference numbers of this type appear in illustrations and in part lists.

Reference Numbers Indicating Quantity

In an illustration, if a reference number indicates more than one part, the reference number has the form nX y. The n represents the quantity of the part, the X is the multiplication symbol, and the y represents the reference number.

For example, in an illustration, the reference number 2X 37 means that two of the parts identified by reference number 37 are indicated.

Contents

Description	Page	Description	Page
Front Frame Assembly 3	Roll-Over-Protection System Assembly No. 107-8093 26
Caster Wheel Assembly No. 1-634662 4	Cylinder / Crankcase Assembly Kawasaki FH680V-AS21 27
Height-of-Cut Assembly 5	Piston / Crankshaft Assembly Kawasaki FH680V-AS21 28
Main Frame Assembly 6	Valve / Camshaft Assembly Kawasaki FH680V-AS21 29
Fuel System Assembly 7	Lubrication Equipment Assembly Kawasaki FH680V-AS21 30
Parking Brake Assembly 8	Cooling Equipment Assembly Kawasaki FH680V-AS21 31
Motion Control Assembly 9	Electric Equipment Assembly Kawasaki FH680V-AS21 32
Hydraulic System Assembly 10	Control Equipment Assembly Kawasaki FH680V-AS21 33
Hydraulic Pump Assembly No. 103-1942 12	Carburetor Assembly Kawasaki FH680V-AS21 34
Pump Idler and Belt Assembly 13	Air Filter and Muffler Assembly Kawasaki FH680V-AS21 35
Engine, Clutch and Muffler Assembly 14	Starter Assembly Kawasaki FH680V-AS21 36
Deck Connection Assembly 15	Fuel Tank / Fuel Valve Assembly Kawasaki FH680V-AS21 37
Deck Assembly No. 107-1670 16	Decal Assembly Kawasaki FH680V-AS21 38
Idler Assembly 18	Attachments and Accessories List 39
Spindle Assembly No. 107-8504 19		
Deck Decal Assembly No. 107-1669 20		
Rubber Deflector Assembly No. 108-2792 21		
Electrical System Assembly 22		
Seat and Bracket Assembly 23		
Seat Assembly No. 107-1867 24		
Roll-Over-Protection-System Assembly 25		

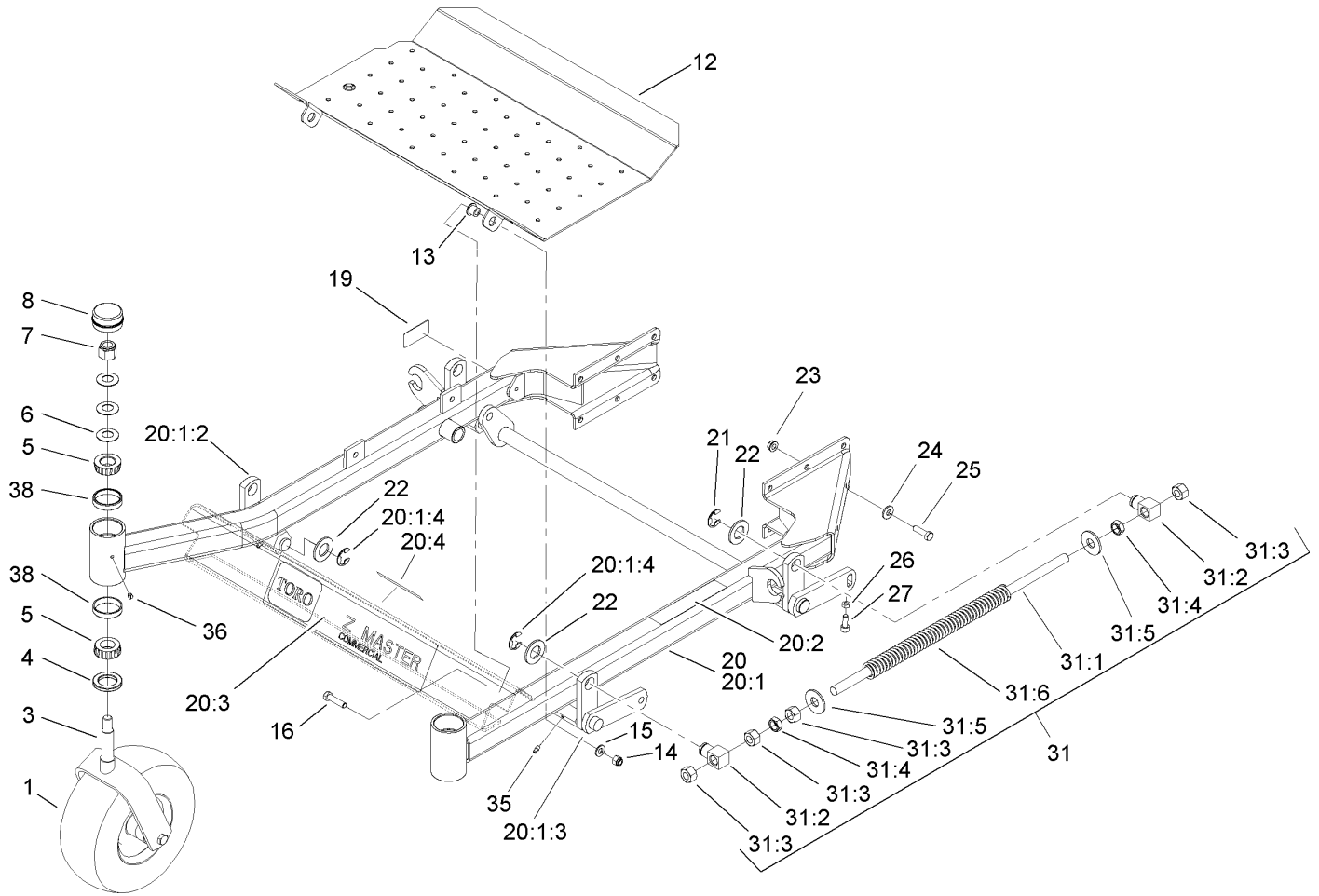
Part Description Abbreviations

Part descriptions in this catalog may include the following abbreviations.

AR. as required	HWHTF. hex washer head thread forming
ASM. assembly	HYD. hydraulic
BBC. Blade Brake Clutch	INC. incorporated
CARR. carriage	LH. left hand
DEG. degrees	NI. nylon insert
EXT. external	NPTF. national pipe thread fine
FH. flat head	PPH. phillips pan head
GA. gauge	PPHTF. phillips pan head thread forming
HF. hex flange	PRH. phillips round head
HH. hex head	PTH. phillips truss head
HHF. hex head flange	PTO. power take off
HHFTF. hex head flange thread forming	RH. right hand
HJ. hex jam	ROPS. roll over protection system
HLH. hex lag head	SFH. slotted fillister head
HOC. height-of-cut	SHH. slotted hex head
HSBH. hex socket button head	SHWH. slotted hex washer head
HSFH. hex socket flat head	SPH. slotted pan head
HSH. hex socket head	SQH. square head
HWH. hex washer head	

Footnotes

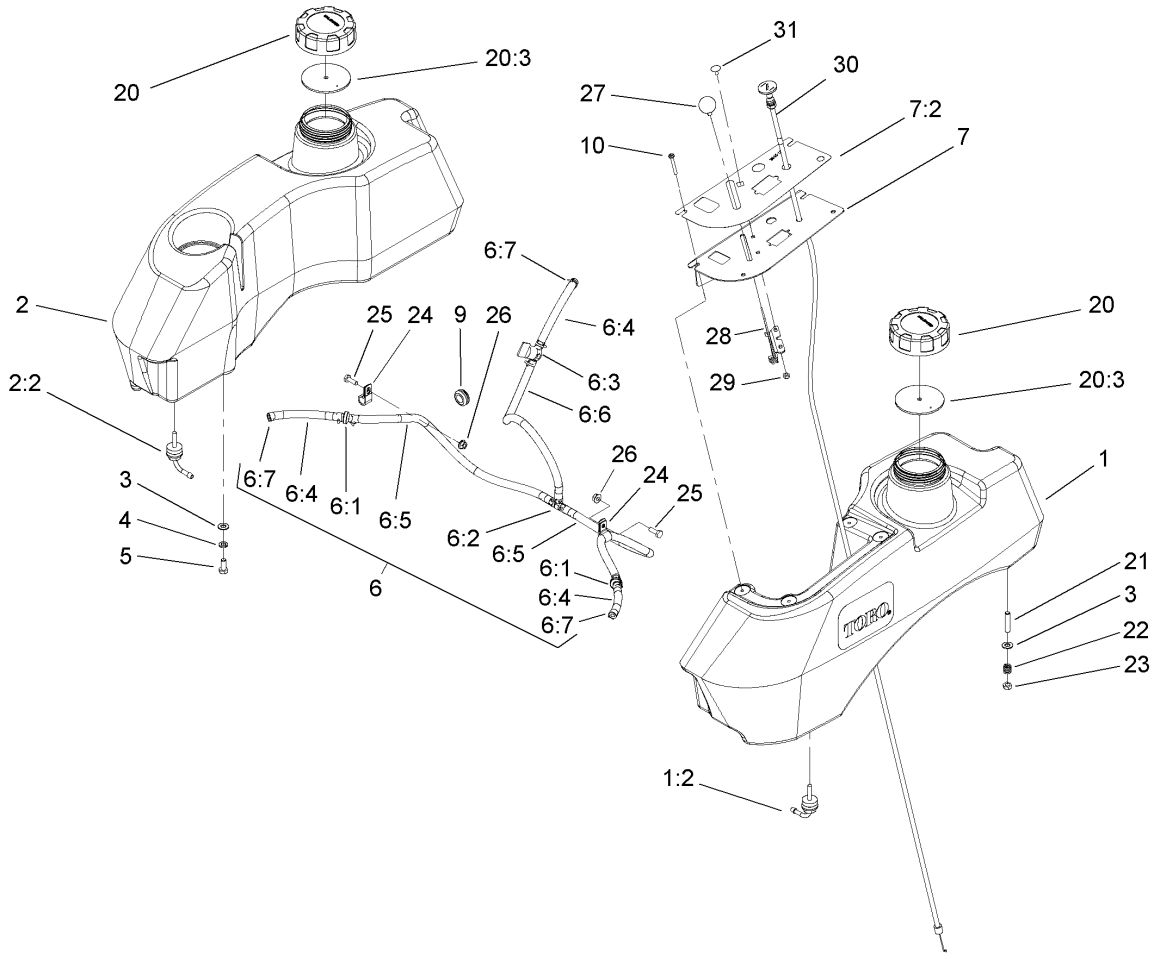
- ❶ Not illustrated
- ❷ Obtain Parts From Kawasaki
- ❸ Not serviced separately



Front Frame Assembly

Ref	Part No.	Qty.	Description
1	1-634662	2	Caster Wheel ASM
3	1-632511-01	2	Caster
4	1-543511	2	Seal-Grease
5	254-94	4	Bearing-Cone, Tapered
6	1-633508	6	Washer-Bellville
7	3296-51	2	Nut-Lock, NI
8	1-543513	2	Cap-Grease
12	108-5007-03	1	Floor Pan
13	86-2180	2	Bushing-Flange
14	3296-39	2	Nut-Lock, NI
15	3256-24	2	Washer-Flat
16	323-8	2	Screw-HH
19	105-2625	1	Decal-STD, Safety
20	107-1650	1	Front Frame ASM
20:1		1	Frame-Front
20:1:2	99-3872	1	RH Lift Arm ASM
20:1:3	99-3871	1	LH Lift Arm ASM
20:1:4	32151-103	2	Ring-Snap
20:2	1-633818	1	Decal-Warning
20:3	106-7451	1	Decal
20:4	107-2112	1	Decal-Warning
21	32151-103	4	Ring-Snap
22	3256-29	6	Washer-Flat
23	3290-357	12	Nut-HHF

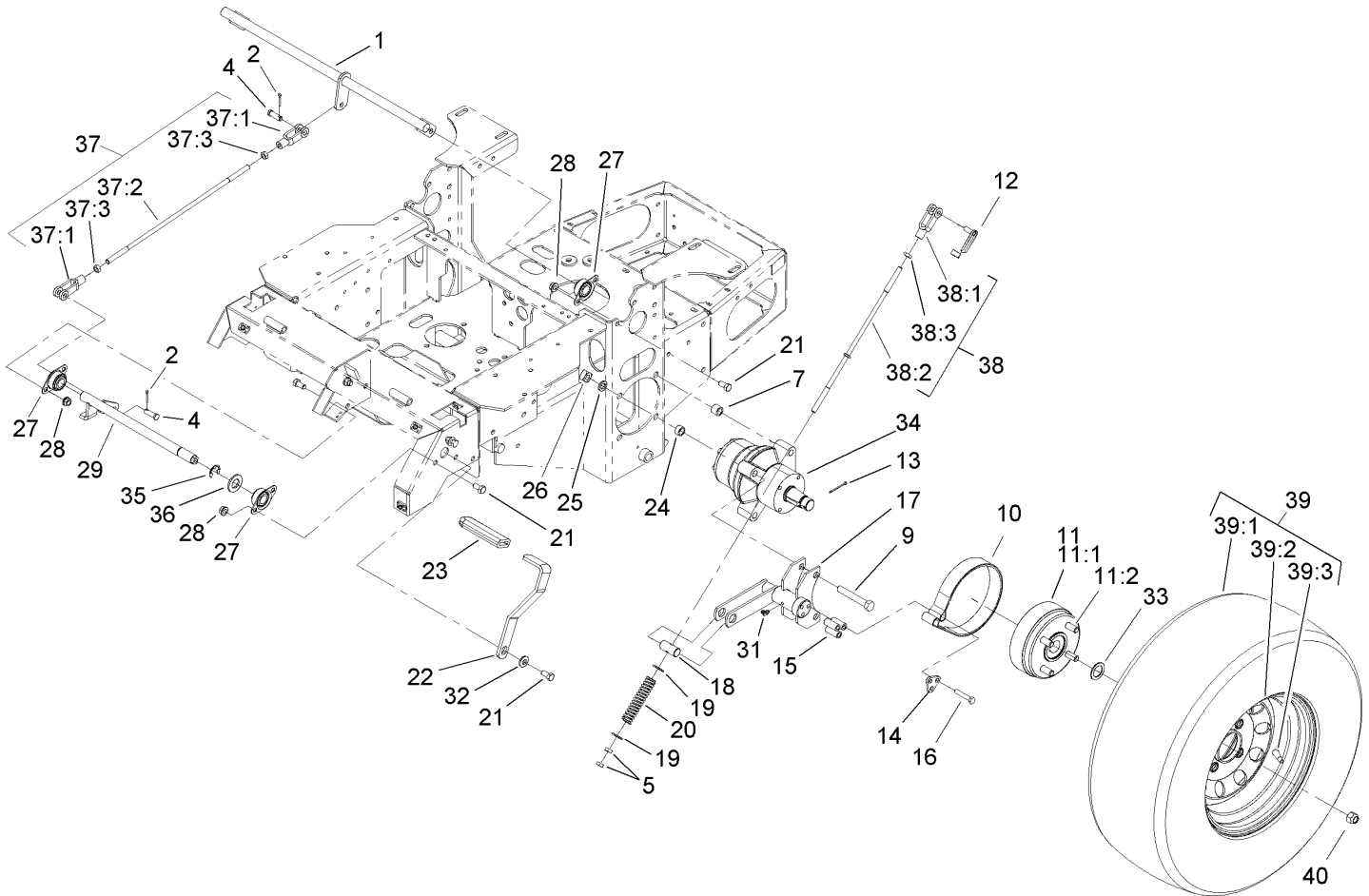
Ref	Part No.	Qty.	Description
24	98-5975	12	Washer-Belleville
25	323-7	12	Screw-HH
26	3218-2	2	Nut-Jam
27	3274-18	2	Screw-HSH
31	1-634439	2	Front Frame Spring ASM
31:1	1-633096	1	Rod-Lift, Deck
31:2	1-633441	2	Swivel-Deck Mount, Rear
31:3	3217-11	4	Nut-Hex
31:4	3218-6	2	Nut-Jam
31:5	3256-7	2	Washer-Flat
31:6	1-633064	1	Spring-Support, Deck
35	302-19	4	Fitting-Grease
36	1-811010	2	Plug
38	254-72	4	Bearing-Cup, Tapered



Fuel System Assembly

Ref	Part No.	Qty.	Description
1	107-2146	1	LH Fuel Tank ASM
1:2	103-2605	1	Fitting-Fuel, Bulkhead
2	106-9975	1	RH Fuel Tank ASM
2:2	103-2605	1	Fitting-Fuel, Bulkhead
3	3256-23	8	Washer-Flat
4	1-805005	4	Washer-Lock
5	322-3	4	Screw-HH
6		1	Fuel Line ASM
6:1	99-5000	2	Valve-Check, Fuel
6:2	99-5005	1	Fitting-Tee, Barbed
6:3	1-603770	1	Valve-Fuel
6:4	99-7190	3	Hose-Fuel
6:5	99-3185	2	Hose-Fuel
6:6	106-8720	1	Hose-Fuel
6:7	1-303077	12	Clamp
7	107-2149	1	Control Panel ASM
7:2	107-2148	1	Decal-Panel, Control
9	1-543296	2	Grommet
10	32122-30	4	Screw-PTH
20	88-3980	2	Gas Cap ASM
20:3	88-4010	1	Gasket-Cap, Gas
21	1-633023	4	Stud
22	1-633349	4	Spring-Tank, Fuel
23	3296-47	4	Nut-Lock, NI

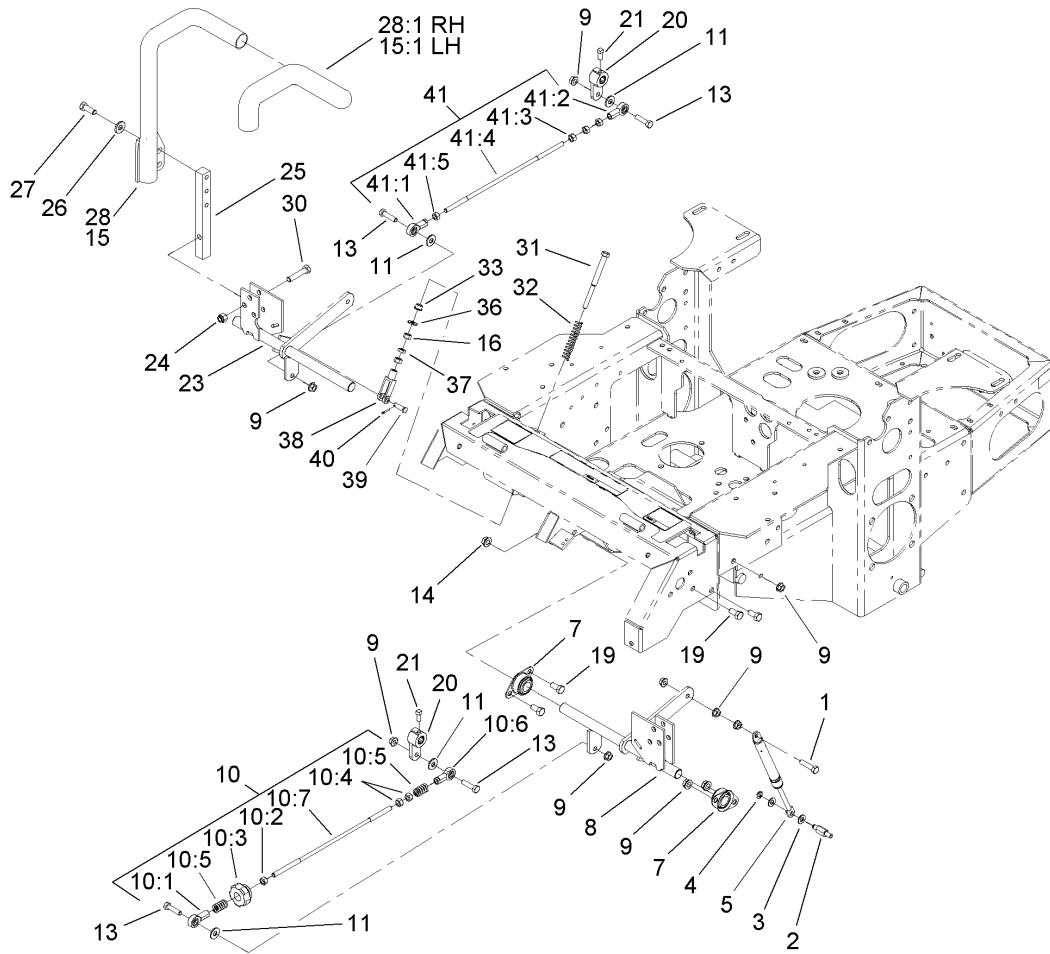
Ref	Part No.	Qty.	Description
24	1-513762	2	Clip-Loom
25	321-4	2	Screw-HH
26	32128-33	2	Nut-HF
27	1-513592	1	Knob-Ball
28	1-633696	1	Throttle Cable ASM
29	3296-2	2	Nut-Lock
30	1-603336	1	Control-Choke
31	1-807513	2	Bolt-CARR



Parking Brake Assembly

Ref	Part No.	Qty.	Description
1	1-652073-03	1	Crank-Brake, Park
2	3272-10	2	Pin-Cotter
4	1-808285	2	Pin-Clevis
5	3219-3	4	Nut-Hex
7	1-653068	4	Spacer-Wheel
9	325-13	8	Screw-HH
10	103-0355	2	Band-Brake
11		2	Hub And Wheel ASM
11:1	103-0589	1	Wheel Hub ASM
11:2	1-633926	4	Stud-Wheel
12	103-2399	2	Pin-Spring, Clevis
13	1-806800	2	Pin-Cotter
14	103-0374	2	Retainer-Band, Brake
15	103-0384	6	Spacer
16	322-9	6	Screw-HH
17	103-0352-03	2	Bracket-Brake
18	1-633144	2	Pin-Trunion
19	3256-4	4	Washer-Flat
20	1-633454	2	Spring-Brake
21	323-4	9	Screw-HH
22	1-653074-03	1	Handle-Brake, Park
23	1-633268	1	Grip-Lever, Brake
24	1-653069	4	Spacer-Wheel
25	3253-7	8	Washer-Lock

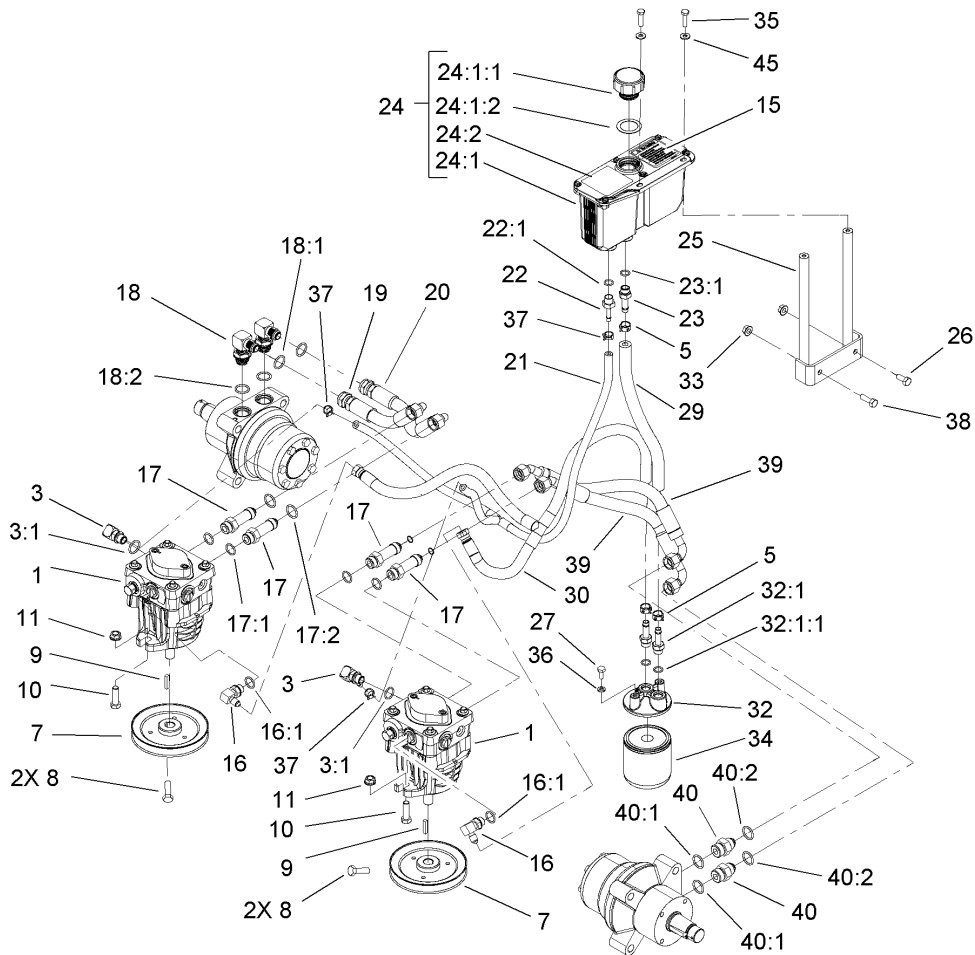
Ref	Part No.	Qty.	Description
26	103-0131	8	Nut-Square
27	1-633102	4	Bearing-Flange, Side
28	3290-357	8	Nut-HHF
29	103-3116	1	Shaft-Brake, Parking
31	1481	2	Fitting-Grease
32	98-5975	1	Washer-Belleville
33	1-523157	2	Washer-Spacer
34	103-5333	2	Motor-Wheel
35	32151-48	1	E-Ring
36	3256-28	1	Washer-Flat
37	103-4328	1	Brake Rod ASM
37:1	1-633131	2	Yoke-Linkage, Brake
37:2	1-653061	1	Linkage-Handle, Brake
37:3	3219-3	2	Nut-Hex
38	103-4329	2	Brake Rod ASM
38:1	1-633131	1	Yoke-Linkage, Brake
38:2	103-0356	1	Rod-Brake
38:3	3219-3	1	Nut-Hex
39	1-653159	2	Wheel And Tire ASM
39:1	1-653160	1	Tire
39:2	1-653161	1	Wheel
39:3	232-27	1	Stem-Valve
40	242-50	8	Nut-Lug



Motion Control Assembly

Ref	Part No.	Qty.	Description
1	1-403180	2	Screw-HH
2	103-4101	2	Pin-Damper
3	3256-23	4	Washer-Flat
4	32120-35	2	E-Ring
5	103-4079	2	Damper-Control, Motion
7	1-633102	4	Bearing-Flange, Side
8	103-4774	1	Control-Motion, LH
9	32128-20	12	Nut-HF
10	103-4326	1	Tracking Rod ASM
10:1	1-543017	1	Balljoint-RH
10:2	3219-2	1	Nut-Hex
10:3	103-3060	1	Knob-Tracking
10:4	1-804524	2	Nut
10:5	1-323245	2	Spring-Compression
10:6	1-633152	1	Balljoint-Thread, LH
10:7	103-3066	1	Link-Rod, Tracking
11	3256-3	4	Washer-Flat
13	322-6	4	Screw-HH
14	3290-357	6	Nut-HHF
15	108-7238	1	LH Lever ASM
15:1	106-9987	1	Grip-Control, Motion
16	3219-2	4	Nut-Hex
19	323-4	6	Screw-HH
20	103-3717	2	Arm-Control

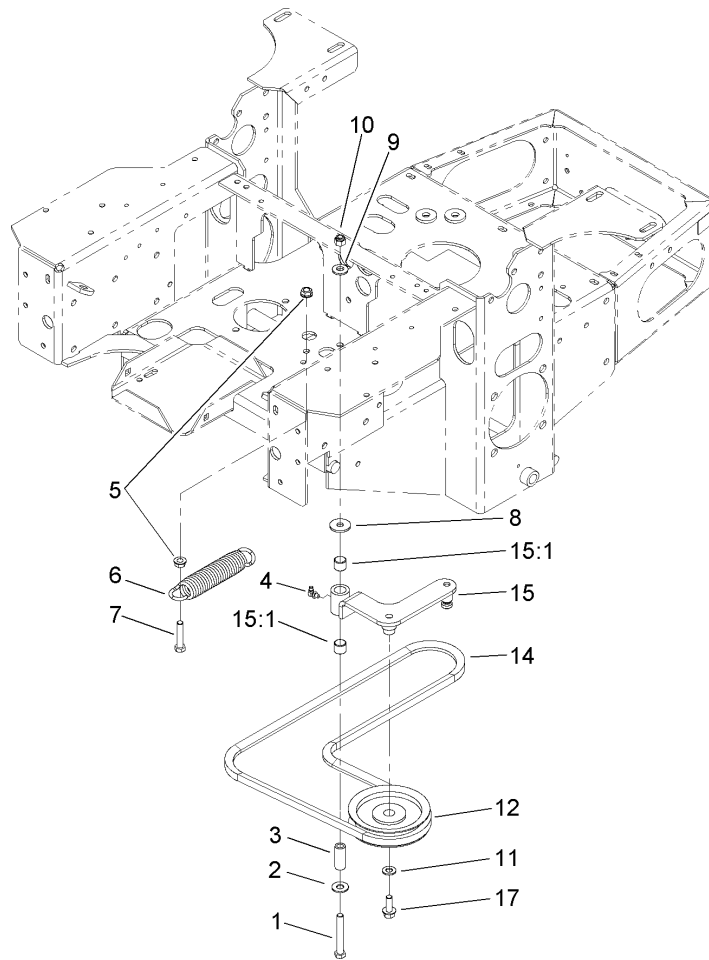
Ref	Part No.	Qty.	Description
21	1-803022	2	Screw-Set
23	103-4773	1	Control-Motion, RH
24	3296-39	6	Nut-Lock, NI
25	103-0407	2	Arm-Shaft, Control
26	98-5975	4	Washer-Belleville
27	323-6	4	Screw-HH
28	108-7237	1	RH Lever ASM
28:1	106-9987	1	Grip-Control, Motion
30	323-9	6	Screw-HH
31	1-603737	2	Bolt-Return, Neutral
32	1-603807	2	Spring-Return, Neutral
33	1-603735	2	Bushing-Flanged
36	3256-2	2	Washer-Flat
37	3220-2	2	Nut-Jam
38	1-303105	2	Yoke-Adjustable
39	1-808280	2	Pin-Clevis
40	3272-5	2	Pin-Cotter
41	103-4327	1	Tracking ASM
41:1	1-543017	1	Balljoint-RH
41:2	1-633152	1	Balljoint-Thread, LH
41:3	1-804524	1	Nut
41:4	103-3066	1	Link-Rod, Tracking
41:5	3219-2	3	Nut-Hex



Hydraulic System Assembly

Ref	Part No.	Qty.	Description
1	103-1942	2	Pump-HYD
3	103-1799	2	Elbow-90 DEG
3:1	237-42	1	O-Ring
5	103-1988	3	Clamp-Hose
7	1-653156	2	Pulley
8	1-803050	4	Screw-Set
9	1-807272	2	Key
10	323-7	4	Screw-HH
11	3290-357	4	Nut-HHF
15	103-2644	1	Decal-Exhaust
16	103-1802	2	Fitting-HYD, 90 DEG
16:1	1-603921	1	O-Ring
17	103-1940	4	Adapter-HYD, Straight
17:1	237-79	1	O-Ring
17:2	1-603992	1	O-Ring
18	1-633605	2	Fitting-HYD, 90 DEG
18:1	1-603992	1	O-Ring
18:2	237-80	1	O-Ring
19	1-653186	1	Hose-Front
20	1-653187	1	Hose-Rear, RH
21	103-2357	1	HYD Hose ASM
22	103-1801	1	Adapter-Straight
22:1	237-42	1	O-Ring
23	103-1912	1	Adapter-Straight

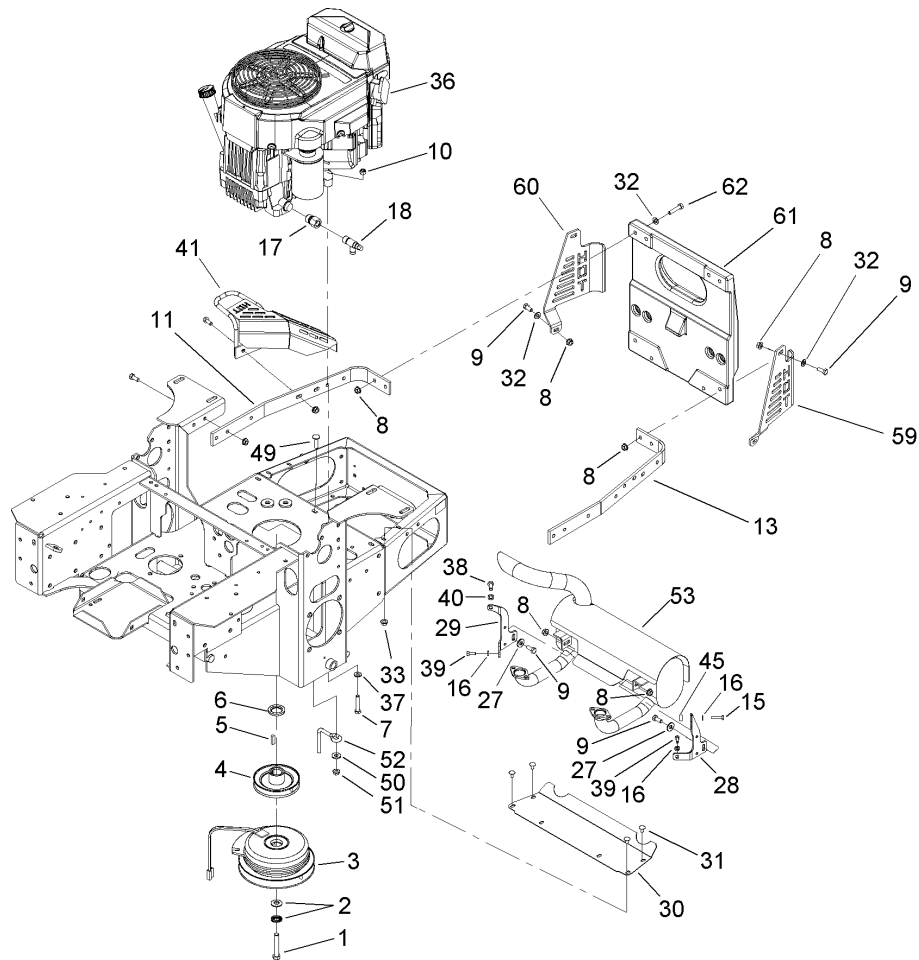
Ref	Part No.	Qty.	Description
23:1	237-42	1	O-Ring
24	103-1947	1	HYD Reservoir ASM
24:1		1	Reservoir-HYD
24:1:1	103-1948	1	Cap-Reservoir, HYD
24:1:2	103-1949	1	Gasket-Cap
24:2	1-523552	1	Decal-Tank, HYD
25	103-3071-03	1	Stand-Reservoir
26	322-3	1	Screw-HH
27	321-3	2	Screw-HH
29	103-3077	1	HYD Hose ASM
30	103-2930	1	HYD Hose ASM
32	103-2889	1	Filter Head ASM
32:1	103-1912	2	Adapter-Straight
32:1:1	237-42	1	O-Ring
33	32128-20	2	Nut-HF
34	1-633750	1	Filter-HYD
34	1-633752	1	Filter-HYD, Winter
35	321-6	2	Screw-HH
36	1-805004	2	Washer-Lock
37	103-1716	3	Clamp-Hose
38	322-5	1	Screw-HH
39	103-3809	2	Hose-LH
40	1-603991	2	Fitting-Straight
40:1	237-80	1	O-Ring



Pump Idler and Belt Assembly

Ref	Part No.	Qty.	Description
1	323-13	1	Screw-HH
2	3256-4	1	Washer-Flat
3	1-603044	1	Bushing
4	302-40	1	Fitting-Grease
5	3290-357	2	Nut-HHF
6	103-4480	1	Spring-Extension
7	323-9	1	Screw-HH
8	63-8410	1	Washer
9	98-5975	1	Washer-Belleville
10	3296-39	1	Nut-Lock, NI
11	3256-24	1	Washer-Flat
12	1-603843	1	Pulley-Idler
14	107-3960	1	Belt
15	103-4482	1	Idler Arm ASM
15:1	103-4681	2	Sleeve-Bearing
17	3234-11	1	Screw-HHF

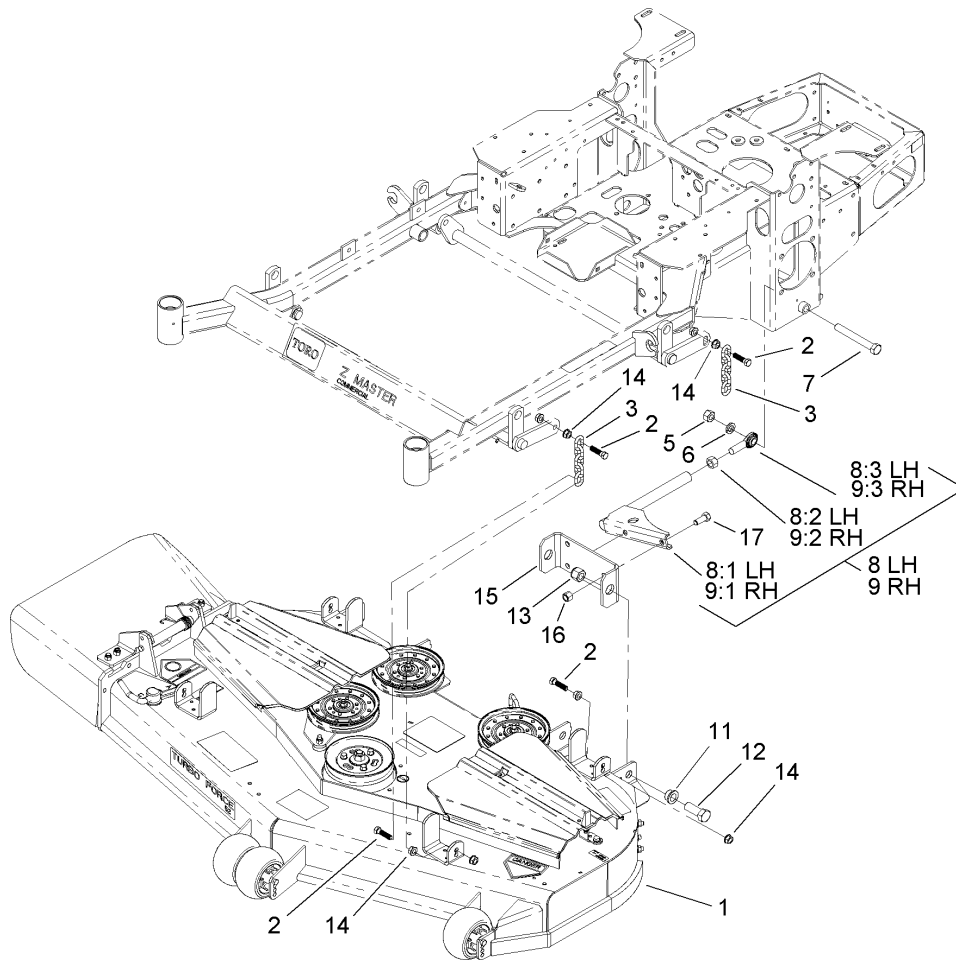
--	--	--	--



Engine, Clutch and Muffler Assembly

Ref	Part No.	Qty.	Description
1	3212-12	1	Screw-HH
2	1-603610	2	Washer-Spring
3	103-0690	1	Clutch
4	103-3913	1	Pulley
5	1-807259	1	Key
6	103-2308	1	Spacer-Crankshaft
7	322-9	4	Screw-HH
8	32128-20	29	Nut-HF
9	322-3	15	Screw-HH
10	3296-29	4	Nut-Lock, NI
11	103-3078-03	1	Strap-Guard, RH
13	103-3164-03	1	Strap-Guard, LH
15	33113-025	1	Screw-HH
16	1-805004	3	Washer-Lock
17	103-1966	1	Adapter
18	103-1965	1	Valve-Drain, Oil
27	3256-3	3	Washer-Flat
28	103-2993-03	1	Bracket-Muffler, LH
29	103-2994-03	1	Bracket-Muffler, RH
30	103-2740-03	1	Deflector-Short
31	3229-10	4	Screw-CARR
32	3256-23	12	Washer-Flat
33	32128-33	4	Nut-HF
36		1	Engine-Kawasaki, FH680V-As21

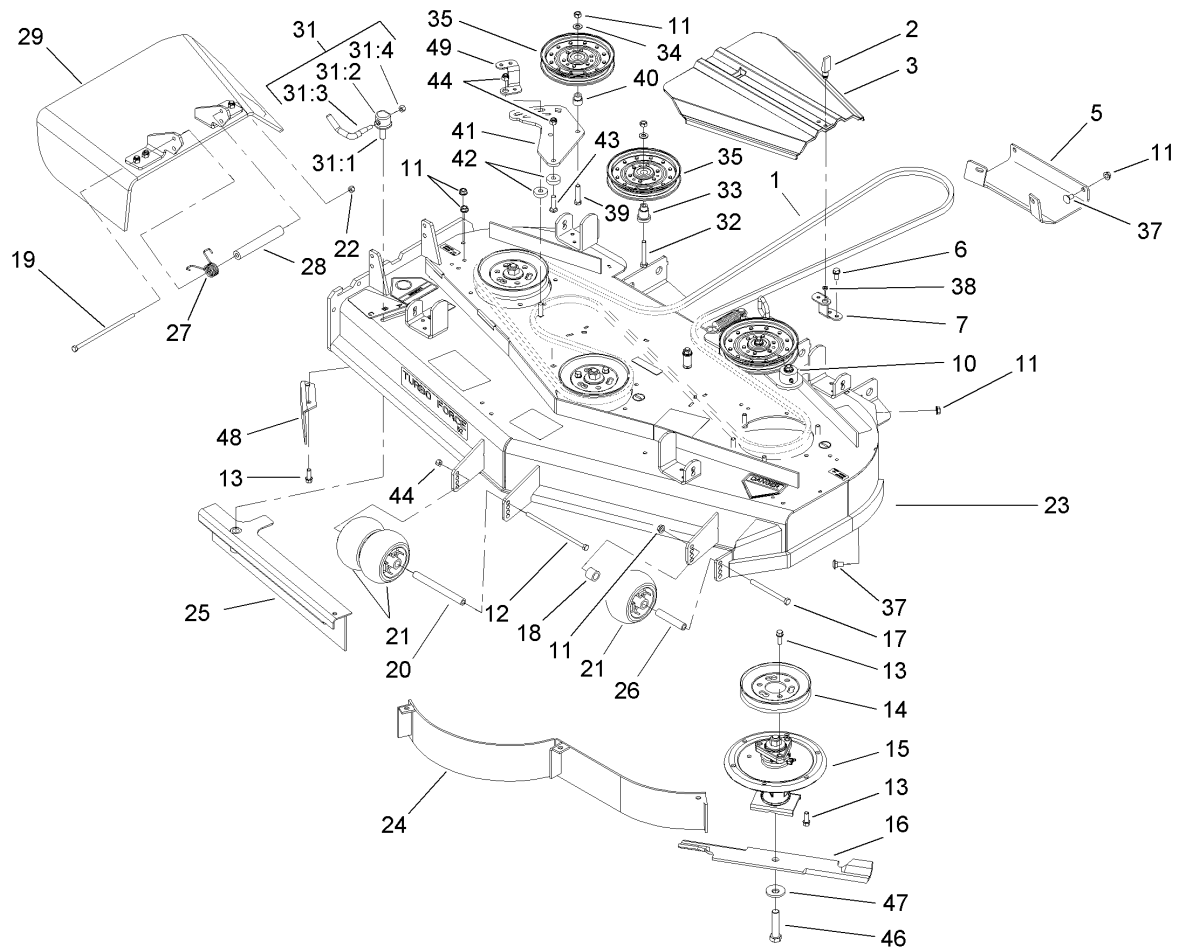
Ref	Part No.	Qty.	Description
37	1-303334	4	Washer-Spring
38	33114-020	1	Screw-HH
39	33113-016	2	Screw-HH
40	1-805005	1	Washer-Lock
41	103-3218-03	1	Guard-Tailpipe
45	103-3096	1	Spacer
49	3230-3	1	Screw-CARR
50	3256-3	1	Washer-Flat
51	32128-20	1	Nut-HF
52	108-1058	1	Rod-Belt
53	103-3427	1	Muffler Kit
59	103-3287-03	1	Guard-Muffler, LH
60	103-3288-03	1	Guard-Muffler, RH
61	107-8421-03	1	Weight-Notched, 60 Lb
62	322-7	8	Screw-HH



Deck Connection Assembly

Ref	Part No.	Qty.	Description
1	107-1670	1	Turbo Force Deck ASM
2	103-1898	8	Screw-HH
3	1-633447	4	Chain-Lift, Deck
5	3217-11	2	Nut-Hex
6	3253-8	2	Washer-Lock
7	327-11	2	Screw-HH
8	107-3150	1	LH Strut ASM
8:1	107-3103-01	1	Strut-Compact
8:2	3219-6	1	Nut-Hex
8:3	1-633029	1	Balljoint-Spherical
9	107-1659	1	RH Strut ASM
9:1	107-3103-01	1	Strut-Compact
9:2	1-633029	1	Balljoint-Spherical
9:3	3219-6	1	Nut-Hex
11	93-2877	4	Bushing
12	328-24	4	Screw-HH
13	3296-51	4	Nut-Lock, NI
14	32128-37	16	Nut-HF
15	107-3100-01	2	Base-Strut
16	3296-23	4	Nut-Lock, NI
17	325-5	4	Screw-HH

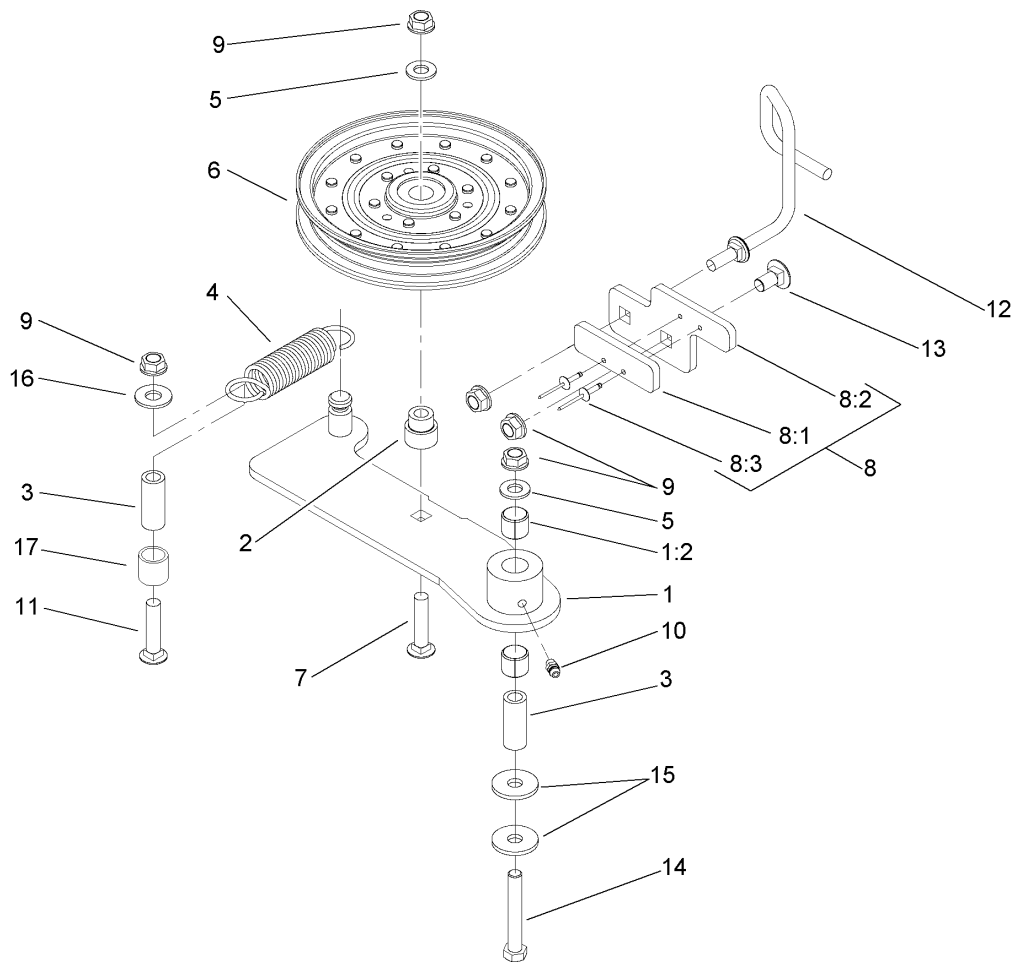
--	--	--	--



Deck Assembly No. 107-1670

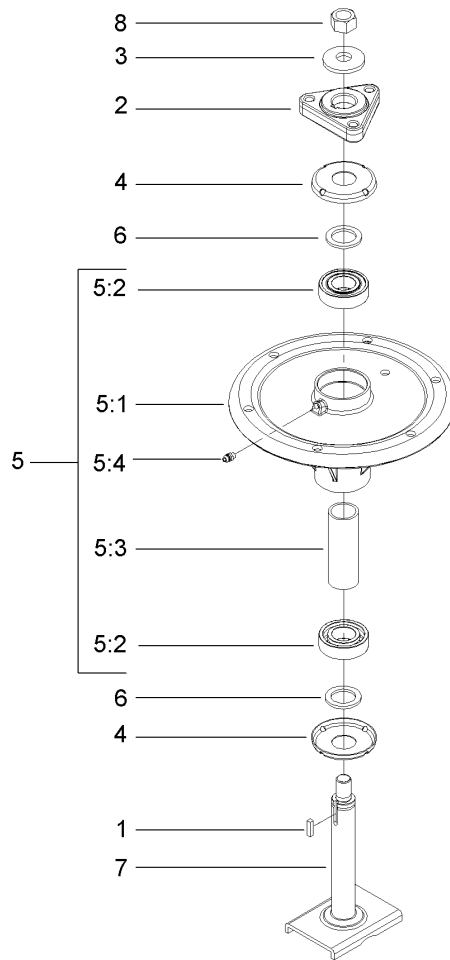
Ref	Part No.	Qty.	Description
1	106-7369	1	Belt-V
2	74-5950	2	Latch-Swell
3	107-8536	2	Cover-Belt
5	106-7358-01	1	Plate-Skid
6	32144-70	3	Screw-HH
7	108-2177-01	3	Bracket-Cover, Tall
10		1	Spring Idler ASM
11	3290-357	36	Nut-HHF
12	323-28	1	Screw-HH
13	92-1624	33	Screw
14	107-1683	3	Pulley
15	107-8504	3	Spindle ASM
16	105-7781-03	3	Blade-Hi Flow
17	323-23	1	Screw-HH
18	98-7913	1	Tube-Spacer
19	322-50	1	Screw-HH
20	98-5967	1	Spacer-Wheel
21	1-603299	3	Roller-Scalp, Anti
22	3296-29	1	Nut-Lock, NI
23	107-1669	1	Deck Decal ASM
24	105-7754-01	1	Baffle ASM
25	105-7755-01	1	Baffle ASM
26	98-7912	1	Tube-Spanner
27	108-4052	1	Spring-Torsion

Ref	Part No.	Qty.	Description
28	105-4622	1	Spacer
29	108-2792	1	Rubber Deflector ASM
31	107-1664	1	Lever ASM
31:1	106-3239	1	Screw-Lock
31:2	107-1644	1	Cap-Lock
31:3	106-3241	1	Lever-Lock
31:4	3296-29	1	Nut-Lock, NI
32	323-12	1	Screw-HH
33	106-3214	1	Mount-Pulley
34	3256-24	3	Washer-Flat
35	1-633109	2	Idler-Flat
37	3231-1	10	Screw-CARR
38	99-3058	2	Washer
39	323-9	1	Screw-HH
40	1-603496	1	Bushing-Idler
41	107-8516-01	1	Plate-Idler
42	105-7788	2	Spacer
43	3231-4	2	Screw-CARR
44	3296-39	6	Nut-Lock, NI
46	103-0862	3	Screw-Cap
47	103-0865	3	Washer-Blade Bolt, Heavy
48	106-3216-01	1	Baffle-Discharge
49	108-2178-01	1	Bracket-Cover, Short
99	105-7779-03	3	Blade-Recycler



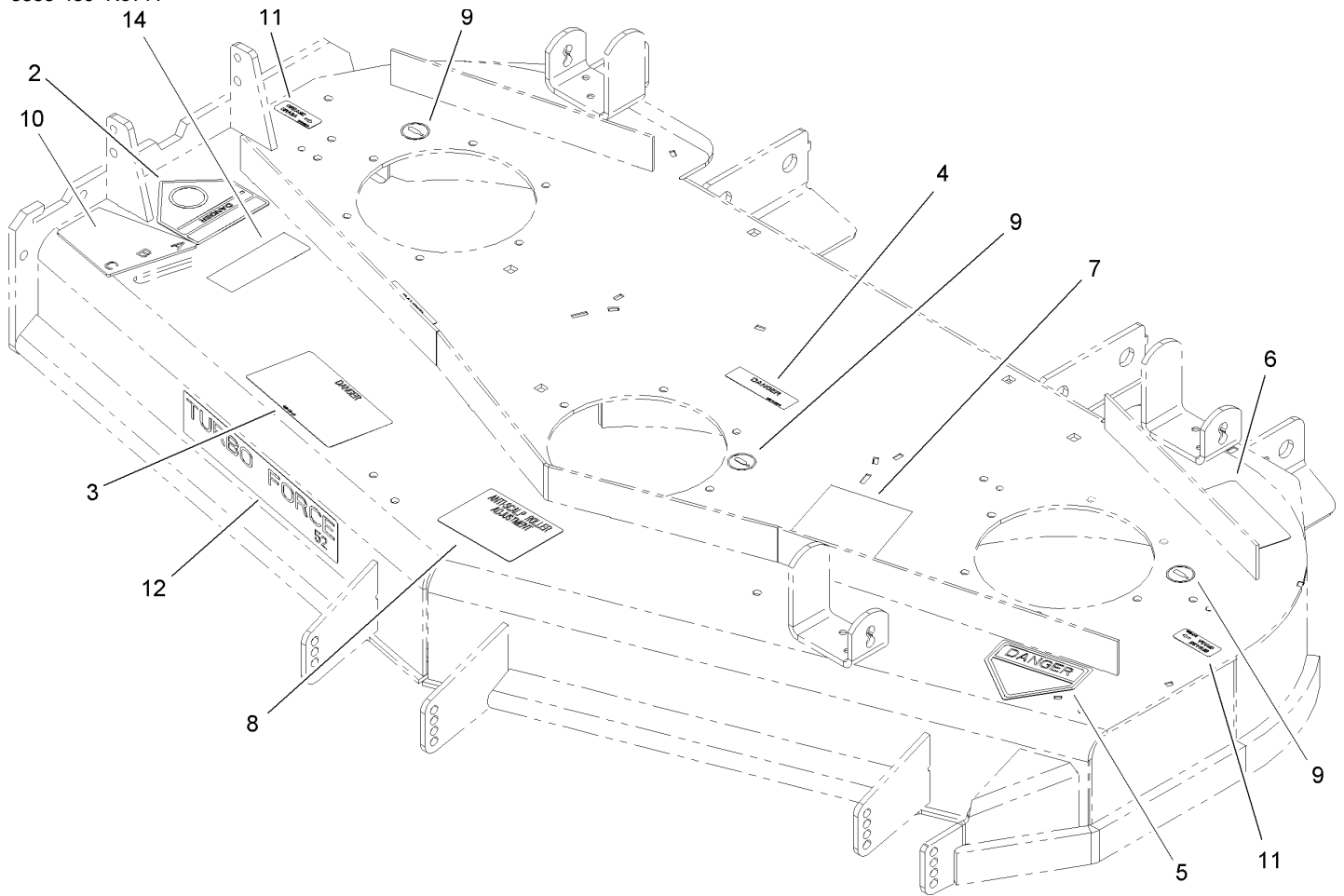
Idler Assembly

Ref	Part No.	Qty.	Description
1	108-4062	1	Idler Arm ASM
1:2	103-4681	2	Sleeve-Bearing
2	1-603496	1	Bushing-Idler
3	1-603044	2	Bushing
4	108-4056	1	Spring-Extension
5	3256-24	2	Washer-Flat
6	1-633109	1	Idler-Flat
7	3231-6	1	Screw-CARR
8		1	Stop Pad ASM
8:1	106-3229	1	Pad-Bumper
8:2	107-1697-01	1	Plate-Stop
8:3	3269-24	2	Rivet
9	3290-357	5	Nut-HHF
10	302-5	1	Fitting-Grease
11	3231-31	1	Screw-CARR
12	108-4072	1	Guide-Belt
13	3231-1	1	Screw-CARR
14	323-12	1	Screw-HH
15	2844	2	Washer
16	3256-4	1	Washer-Flat
17	108-4063	1	Spacer-Rubber



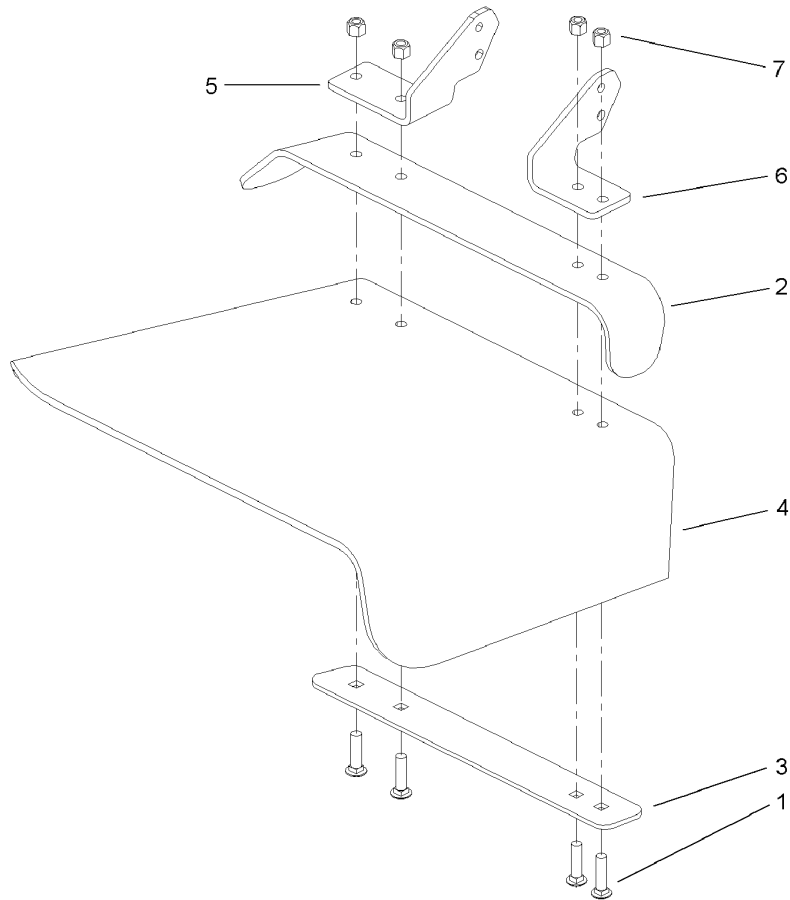
Spindle Assembly No. 107-8504

Ref	Part No.	Qty.	Description
1	10-8040	1	Key-Square
2	106-3277	1	Hub-Pulley
3	103-0865	1	Washer-Blade Bolt, Heavy
4	106-3204	2	Shield-Bearing
5		1	Spindle Bearing ASM
5:1	106-3211	1	Housing-Spindle
5:2	113514	2	Bearing-Ball
5:3	107-8502	1	Spacer-Bearing
5:4	302-5	1	Fitting-Grease
6	3-8514	2	Washer-Thrust
7	107-8501	1	Spindle ASM
8	3219-6	1	Nut-Hex



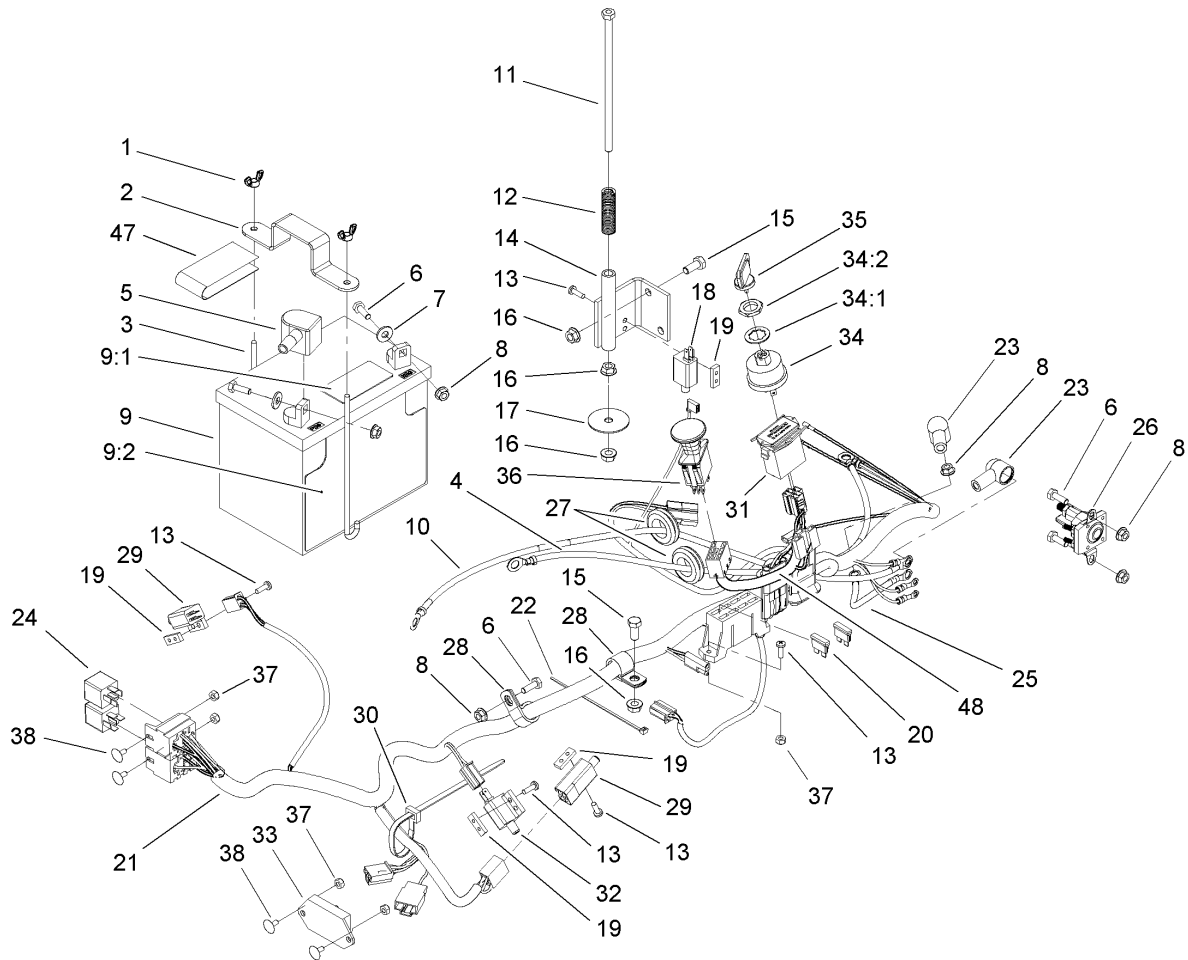
Deck Decal Assembly No. 107-1669

Ref	Part No.	Qty.	Description
2	54-9220	1	Decal-Danger
3	66-1340	1	Decal-Danger
4	98-5954	3	Decal-Missing, Cover
5	1-403005	1	Decal-Danger
6	68-8340	1	Decal-Torque
7	107-1687	1	Decal-Aid, Service
8	105-7798	1	Decal-Scalp, Anti
9	58-6520	3	Decal-Grease
10	107-1622	1	Decal-Adjustment, Baffle
11	107-1613	2	Decal-Grease
12	107-1618	1	Decal-Turbo Force
14	104-8569	1	Decal-Warning



Rubber Deflector Assembly No. 108-2792

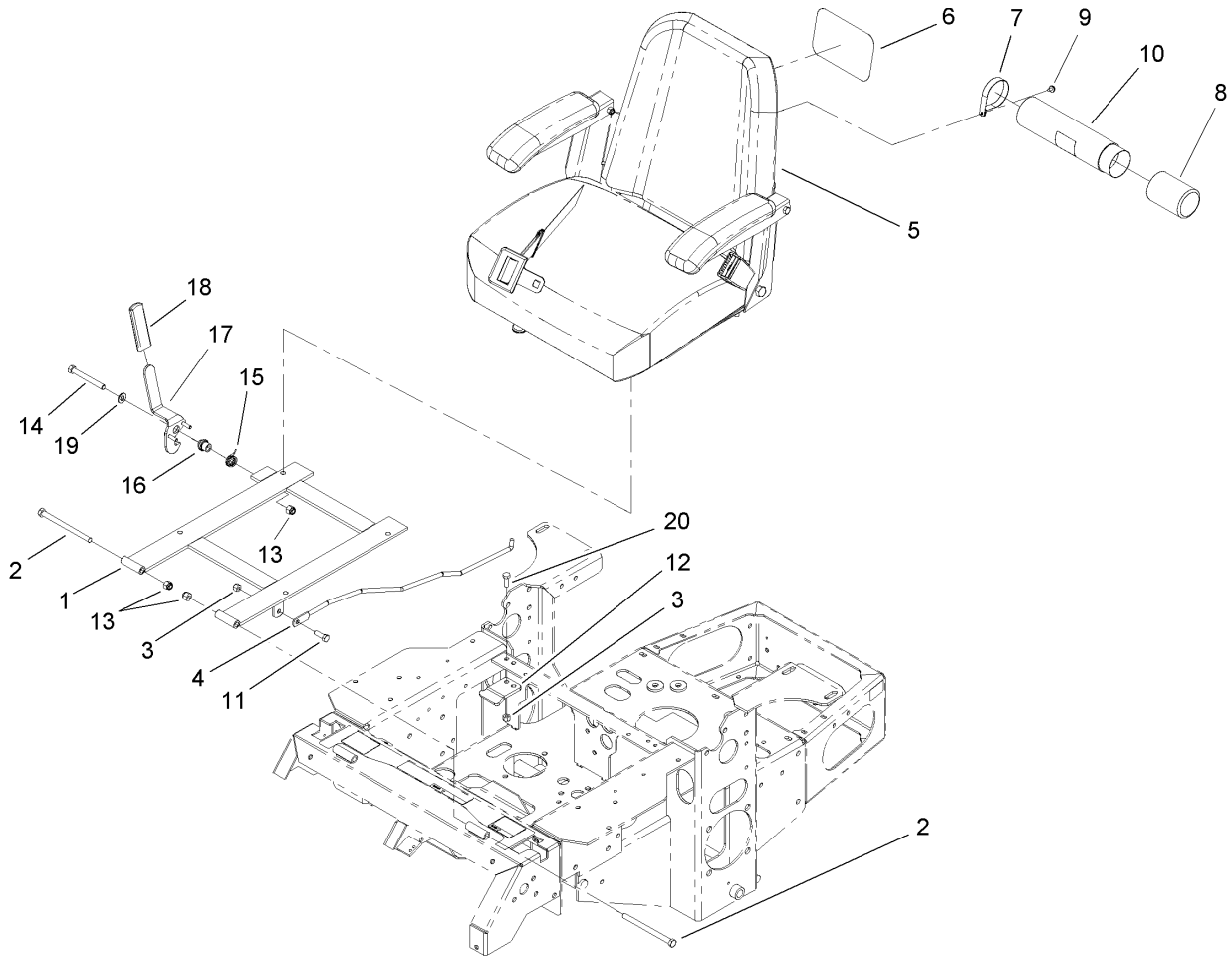
Ref	Part No.	Qty.	Description
1	3231-4	4	Screw-CARR
2	106-3246-01	1	Deflector
3	106-3248-03	1	Strap-Discharge
4	108-5029	1	Deflector-Rubber
5	108-4059-01	1	Plate-Hinge, Rear
6	106-3253-01	1	Plate-Hinge, Front
7	3296-39	4	Nut-Lock, NI



Electrical System Assembly

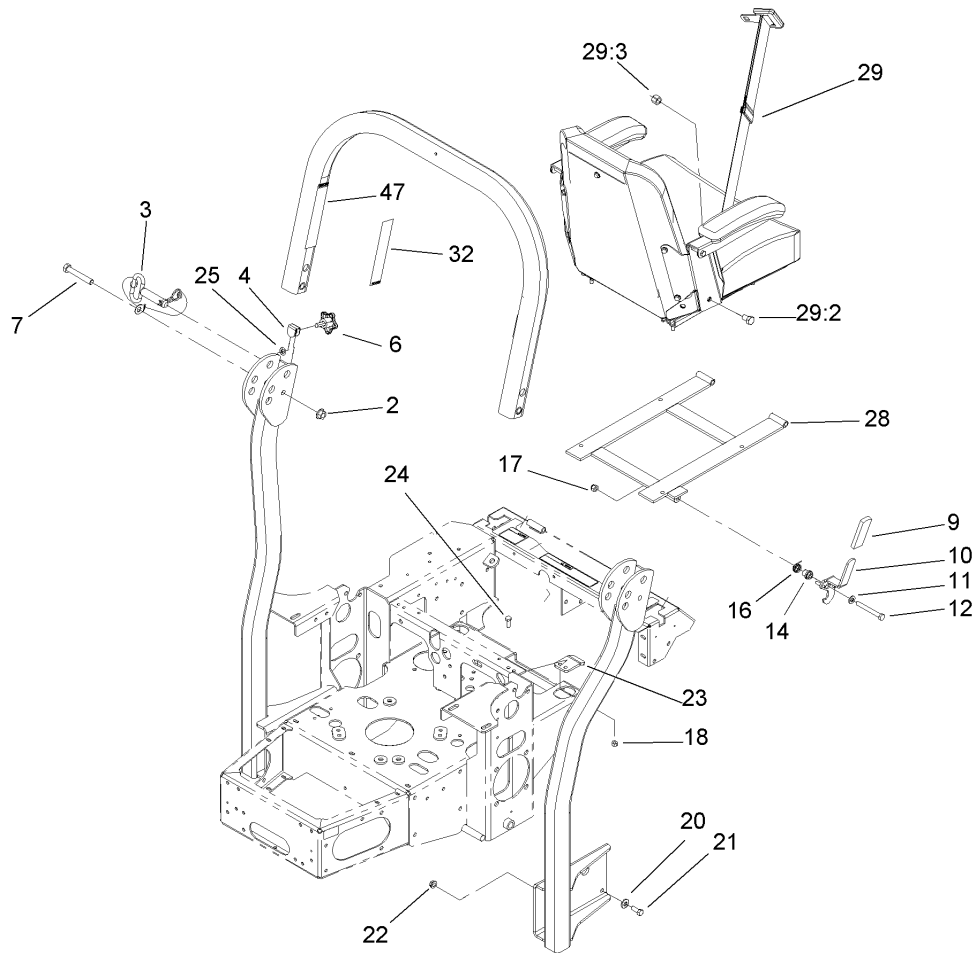
Ref	Part No.	Qty.	Description
1	1-543792	2	Wingnut
2	1-633652-03	1	Strap-Holddown
3	1-633651	2	Bolt-Holddown
4	103-0705	1	Cable-Ground, Negative
5	1-543391	1	Insulator-Battery
6	321-4	5	Screw-HH
7	3256-2	2	Washer-Flat
8	32128-33	6	Nut-HF
9	105-1692	1	Battery
9:1	104-4163	1	Decal-Battery
9:2	104-4164	1	Decal-Battery
10	103-0707	1	Cable-Battery, Positive
11	1-800282	1	Screw-HH
12	1-523415	1	Spring-Switch, Seat
13	1-803075	10	Screw-Head, Truss
14	1-652072-03	1	Bracket-Switch, Seat
15	322-3	3	Screw-HH
16	32128-20	5	Nut-HF
17	1-653036	1	Washer
18	1-513152	1	Switch-Closed, Normally
19	1-633181	4	Plate-Tapped
20	1-816001	2	Fuse-Blade Type, 20 Amp
21	107-8051	1	Harness-Electrical
22	1-303287	3	Tie-Plastic

Ref	Part No.	Qty.	Description
23	1-543393	3	Insulator-Solenoid
24	1-643275	2	Relay
25	1-633306	1	Wire-Starter
26	1-513075	1	Switch-Solenoid
27	1-543286	3	Grommet
28	1-633396	2	Clip-Loom
29	1-513051	2	Switch-Open, Normally
30	1-303335	4	Tie-Plastic
31	1-513374	1	Meter-Hour
32	1-633111	1	Switch
33	100-6186	1	Module-Delay, Seat
34	88-9830	1	Key Switch ASM
34:1	3254-5	1	Washer-Tooth
34:2	218-461	1	Nut-HH
35	63-8360	2	Key-Ignition
36	1-633673	1	Switch-Delta
37	3296-2	6	Nut-Lock
38	1-807513	4	Bolt-CARR
47	107-9309	1	Decal-Instructions, Charging
48	107-8054	1	Harness-Electrical, Control Panel



Seat and Bracket Assembly

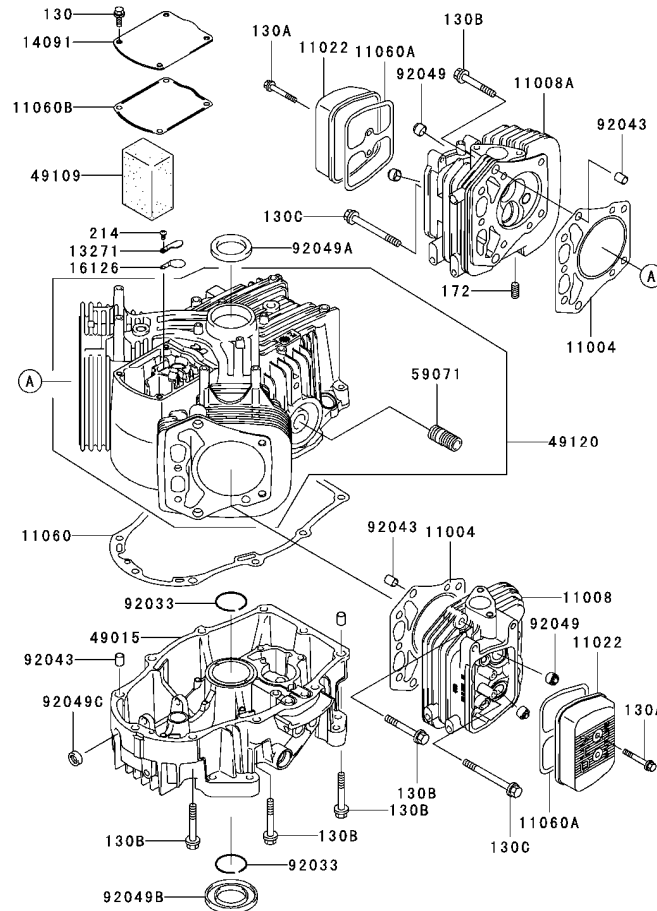
Ref	Part No.	Qty.	Description				
1	107-3052-03	1	Seat Support Frame ASM				
2	323-39	2	Screw-HH				
3	3296-29	3	Nut-Lock, NI				
4	103-1731	1	Rod-Retainer, Seat				
5	107-1867	1	Seat ASM				
6	99-4693	1	Decal				
7	2412-120	2	R-Clamp				
8	104-7048	1	Cap-Housing				
9	32104-76	2	Screw				
10	104-7050	1	Housing-Manual				
11	322-5	1	Screw-HH				
12	103-5961	1	Catch-Latch, Seat				
13	3296-39	3	Nut-Lock, NI				
14	323-20	1	Screw-HH				
15	107-0076	1	Spring-Torsion				
16	107-0075	1	Bushing-Latch, Seat				
17	107-3083	1	Latch ASM				
18	62-9130	1	Grip-Handle				
19	3256-24	1	Washer-Flat				
20	322-4	2	Screw-HH				



Roll-Over-Protection System Assembly No. 107-8093

Ref	Part No.	Qty.	Description
2	32128-23	2	Nut-HF
3	103-4553	2	ROPS Fold Pin ASM
4	107-3124	2	Clip
6	106-0887	2	Knob
7	325-13	2	Screw-HH
9	62-9130	1	Grip-Handle
10	107-3083	1	Latch ASM
11	3256-24	1	Washer-Flat
12	323-20	1	Screw-HH
14	107-0075	1	Bushing-Latch, Seat
16	107-0076	1	Spring-Torsion
17	3296-39	1	Nut-Lock, NI
18	3296-29	2	Nut-Lock, NI
20	98-5975	8	Washer-Belleville
21	323-6	8	Screw-HH
22	3290-357	8	Nut-HHF
23	107-3059	1	Catch-Latch, Seat
24	322-4	2	Screw-HH
25	107-3154	2	Nut-Push
28	107-3052-03	1	Seat Support Frame ASM
29	103-4469	1	Seatbelt Kit
29:2	3212-4	2	Screw-HH
29:3	3296-38	2	Nut-Lock NI
32	107-3069	1	Decal-Warning, Folding ROPS

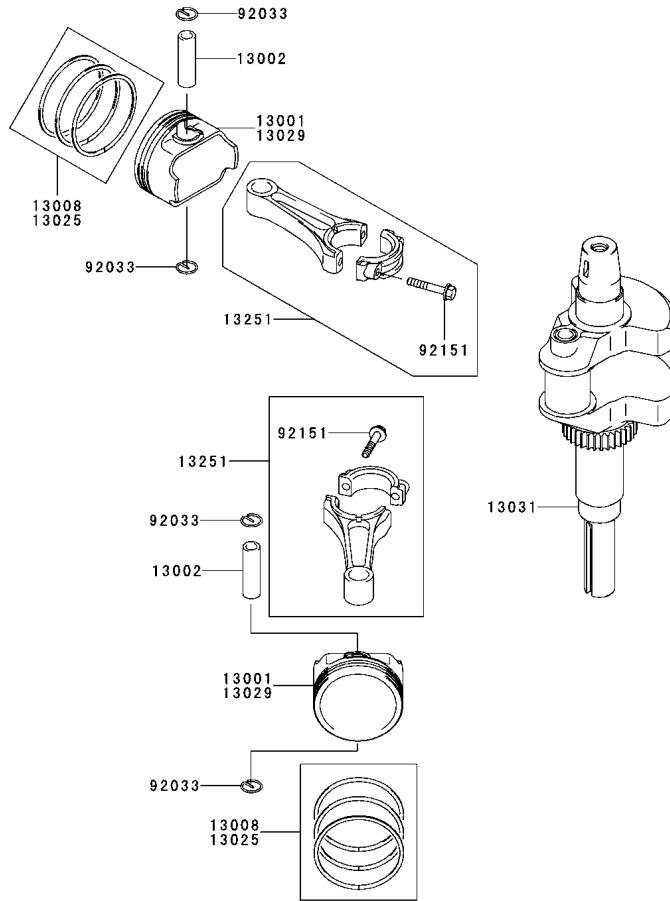
Ref	Part No.	Qty.	Description
47	107-2102	1	Decal-Warning, Folding ROPS



Cylinder / Crankcase Assembly Kawasaki FH680V-AS21

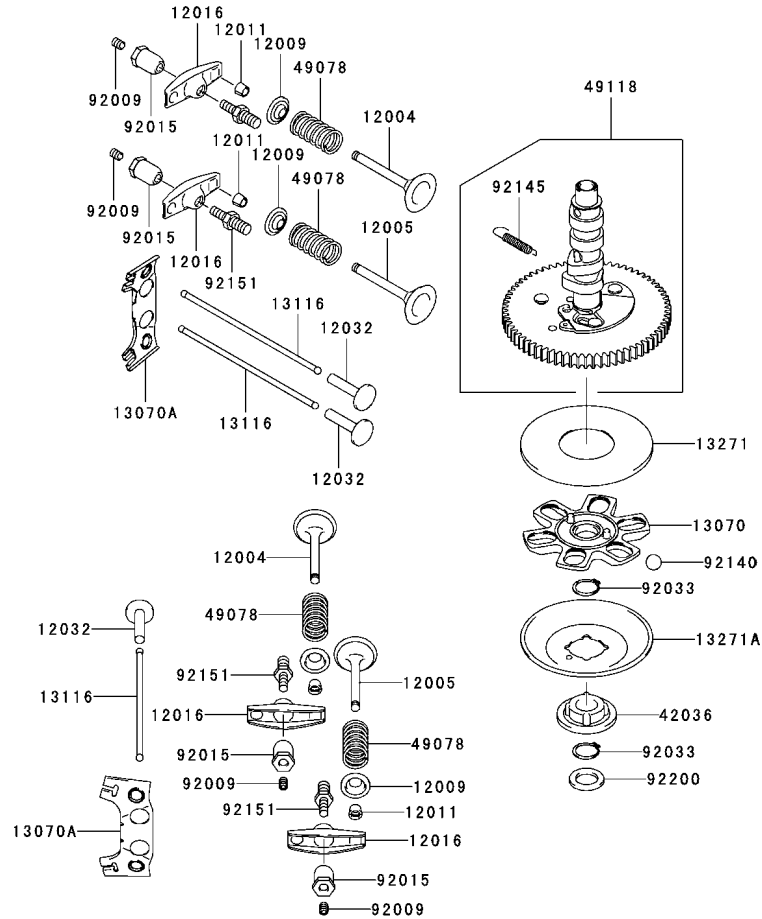
Ref	Part No.	Qty.	Description
③11004	11004-7006	2	Gasket-Head
③11008	11008-7012	1	Head-Comp-Cylinder No. 2
③11008A	11008-7013	1	Head-Comp-Cylinder No. 1
③11022	11022-7002	2	Case-Rocker
③11060	11060-7012	1	Gasket, Crankcase Cover
③11060A	11060-7013	2	Gasket, Rocker Case
③11060B	11060-7014	1	Gasket, Breather
③13271	13271-7006	1	Plate
③14091	14091-7004	1	Cover
③16126	16126-7001	1	Valve
③49015	49015-6225	1	Cover-Crankcase
③49109	49109-7003	1	Element-Breather
③49120	49120-7019	1	Crankcase-Comp
③59071	59071-2079	1	Joint
③92033	92033-7004	2	Ring-Snap
③92043	92043-7001	6	Pin
③92049	92049-7001	4	Seal-Oil, Rvc2 (6X11X10.2)
③92049A	92049-7002	1	Seal-Oil
③92049B	92049-7004	1	Seal-Oil
③92049C	92049-7005	1	Seal-Oil, So (8X14X5 Hs)
③130	130B0612	4	Bolt-Flanged
③130A	130B0640	4	Bolt-Flanged
③130B	130T0850	18	Bolt-Flanged
③130C	130T0875	2	Bolt-Flanged

Ref	Part No.	Qty.	Description
③172	172G0818	4	Bolt-Stud
③214	214B0408	1	Screw-Pan



Piston / Crankshaft Assembly Kawasaki FH680V-AS21

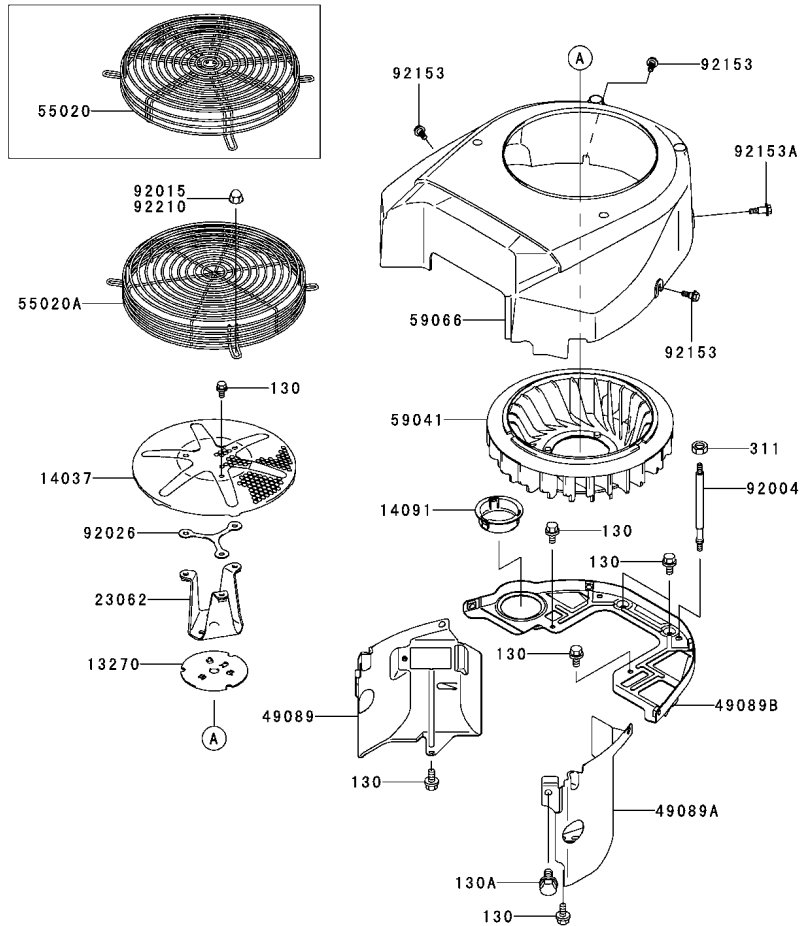
Ref	Part No.	Qty.	Description				
③ 13001	13001-7007	2	Piston-Engine				
③ 13002	13002-7001	2	Pin-Piston				
③ 13008	13008-6058	2	Ring-Set-Piston				
③ 13025	13025-7002	0	Ring-Set, Pistonl,0.50				
③ 13029	13029-7003	0	Piston-Engine L,0.50				
③ 13031	13031-7023	1	Crankshaft-Comp				
③ 13251	13251-7005	2	Connecting Rod ASM				
③ 92033	92033-7005	4	Ring-Snap				
③ 92151	92151-7017	4	Bolt (6X35)				



Valve / Camshaft Assembly Kawasaki FH680V-AS21

Ref	Part No.	Qty.	Description
⑤ 12004	12004-7002	2	Valve-Intake
⑤ 12005	12005-7002	2	Valve-Exhaust
⑤ 12009	12009-7001	4	Retainer-Spring, Valve
⑤ 12011	12011-2056	8	Collet
⑤ 12016	12016-7006	4	Arm-Rocker
⑤ 12032	12032-7001	4	Tappet
⑤ 13070	13070-7004	1	Guide
⑤ 13070A	13070-7007	2	Guide
⑤ 13116	13116-7002	4	Rod-Push
⑤ 13271	13270-7007	1	Plate
⑤ 13271A	13271-7021	1	Plate-Governor
⑤ 42036	42036-7001	1	Sleeve
⑤ 49078	49078-7002	4	Spring-Engine Valve
⑤ 49118	49118-7007	1	Camshaft-Comp
⑤ 92009	92009-2341	4	Screw
⑤ 92015	92015-2253	4	Nut
⑤ 92033	92033-7001	2	Ring-Snap
⑤ 92140	92140-7002	6	Ball
⑤ 92145	92145-7001	1	Spring
⑤ 92151	92151-7019	4	Bolt
⑤ 92200	92200-7001	1	Washer

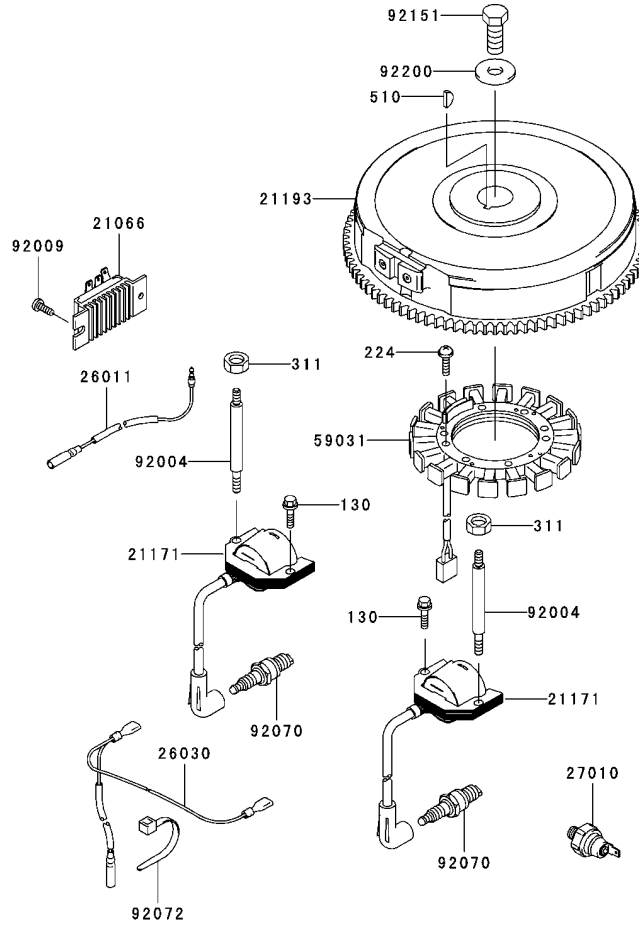
--	--	--	--



Cooling Equipment Assembly Kawasaki FH680V-AS21

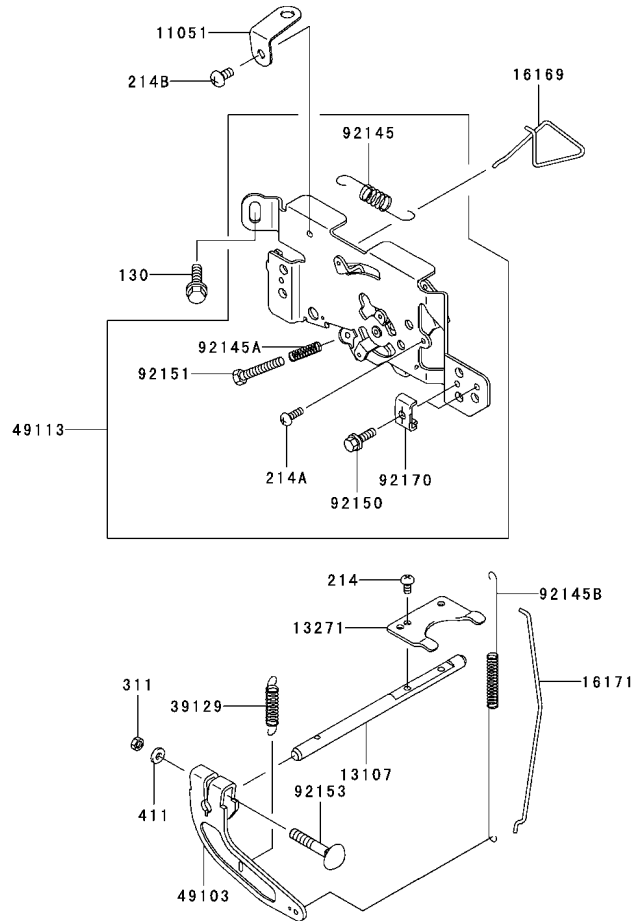
Ref	Part No.	Qty.	Description
③ 13270	13270-7007	1	Plate
③ 14037	14037-7008-9H	1	Screen
③ 14091	14091-7002	1	Cover
③ 23062	23062-7005	1	Bracket-Comp
③ 49089	49089-7004	1	Shroud-Engine
③ 49089A	49089-7005	1	Shroud-Engine
③ 49089B	49089-7030	1	Shroud-Engine
③ 55020	55020-7002	1	Guard
③ 55020A	55020-7007	1	Guard
③ 59041	59041-7003	1	Fan
③ 59066	59066-7004	1	Housing-Fan
③ 92004	92004-7006	2	Stud
③ 92015	92015-1170	4	Nut
③ 92026	92026-7007	0	Spacer
③ 92153	92153-7007	3	Bolt
③ 92153A	92153-7008	1	Bolt
③ 92210	92210-0003	4	Nut
③ 130	130B0612	9	Bolt-Flanged
③ 130A	130B0816	1	Bolt-Flanged
③ 311	311B0600	2	Nut-Hex

--	--	--	--



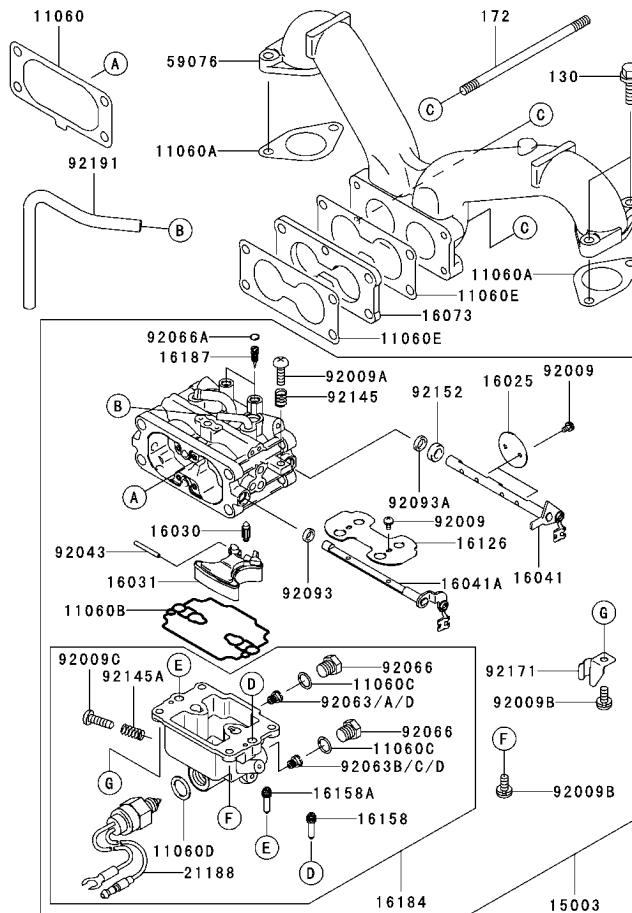
Electric Equipment Assembly Kawasaki FH680V-AS21

Ref	Part No.	Qty.	Description
①	21066-7006	1	Regulator-Voltage
②	21171-7007	2	Coil-ASM-Ignition
①	21193-7019	1	Flywheel-Assy
①	26011-7008	1	Wire-Lead
①	26030-7002	1	Harness
①	27010-7001	1	Switch
①	59031-7001	1	Coil-Charging
②	92004-7009	2	Stud
①	92009-2308	1	Screw
②	92070-7004	2	Plug-Spark,Bpr4Es(Ngk), Solid
②	92072-7003	2	Band
①	92151-2097	1	Bolt (12X30)
①	92200-7002	1	Washer
②	130B0620	2	Bolt-Flanged
④	224B0520	4	Screw-Pan
②	311B0600	2	Nut-Hex
①	510A5100	1	Key-Woodruff



Control Equipment Assembly Kawasaki FH680V-AS21

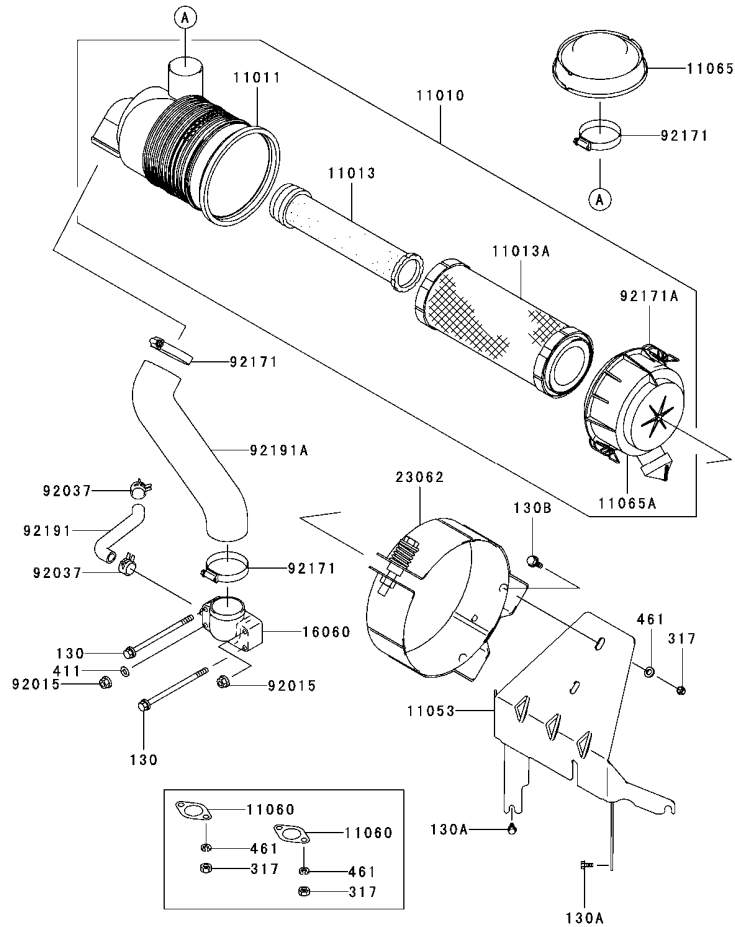
Ref	Part No.	Qty.	Description
①	11051-7008	1	Bracket
②	13107-7013	1	Shaft
③	13271-7018	1	Plate
④	16169-7006	1	Link-Choke
⑤	16171-7004	1	Link
⑥	39129-7004	1	Spring-Governor
⑦	49103-7004	1	Arm-Governor
⑧	49113-7017	1	Panel-Comp-Control
⑨	92145-7004	1	Spring
⑩	92145A-7005	1	Spring
⑪	92145B-7009	1	Spring
⑫	92150-2182	2	Bolt (5X18)
⑬	92151-7014	1	Bolt, 5X30
⑭	92153-7005	1	Bolt (6X35)
⑮	92170-7001	2	Clamp
⑯	130-130B0612	2	Bolt-Flanged
⑰	214-214B0408	2	Screw-Pan
⑱	214A-214B0412	1	Screw-Pan
⑲	214B-214B0510	1	Screw-Pan
㉑	311-311B0600	1	Nut-Hex
㉒	411-411b0600	1	Washer-Plain



Carburetor Assembly Kawasaki FH680V-AS21

Ref	Part No.	Qty.	Description
①	11060	1	Gasket, Air Filter
②	11060A	2	Gasket
③	11060B	1	Gasket, Float Chamber
④	11060C	2	Gasket, Main Plug
⑤	11060D	1	Gasket, Solenoid
⑥	11060E	2	Gasket-Carburetor
⑦	15003	1	Carburetor-Assy
⑧	16025	2	Valve-Throttle
⑨	16030	1	Valve-Float
⑩	16031	1	Float
⑪	16041	1	Shaft-Carburetor Throttle
⑫	16041A	1	Shaft-Carburetor, Choke
⑬	16073	1	Insulator
⑭	16126	1	Valve, Choke
⑮	16158	1	Jet-Slow, No.56
⑯	16158A	1	Jet-Slow, No.42
⑰	16184	1	Chamber-Assy-Float
⑱	16187	2	Needle-Jet
⑲	21188	1	Solenoid
⑳	59076	1	Manifold-Intake
㉑	92009	6	Screw
㉒	92009A	1	Screw
㉓	92009B	4	Screw
㉔	92009C	1	Screw, Drain

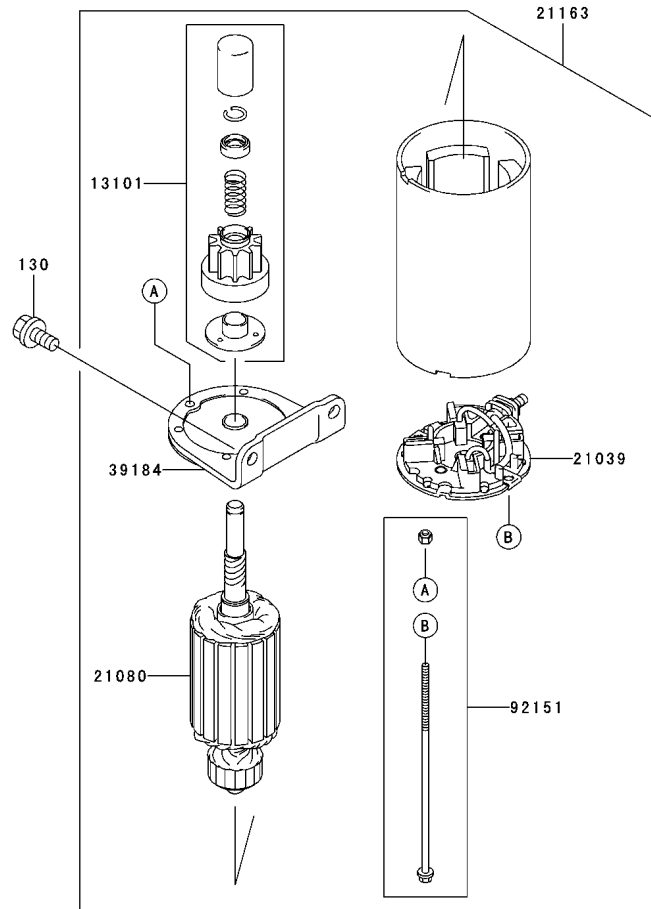
Ref	Part No.	Qty.	Description
㉕	92043	1	Pin-Float
㉖	92063	1	Jet-Main, No.133
㉗	92063A	1	Jet-Main, No.130
㉘	92063B	1	Jet-Main, No.139
㉙	92063C	1	Jet-Main, No.134
㉚	92063D	2	Jet-Main, No.114
㉛	92066	2	Plug, Main Jet
㉜	92066A	2	Plug, Extension
㉝	92093	1	Seal
㉞	92093A	1	Seal
㉟	92145	1	Spring
㊱	92145A	1	Spring
㊲	92152	1	Collar
㊳	92171	1	Clamp
㊴	92191	1	Tube
㊵	130	4	Bolt-Flanged
㊶	172	2	Bolt-Stud



Air Filter and Muffler Assembly Kawasaki FH680V-AS21

Ref	Part No.	Qty.	Description
①	11010	1	Filter-Assy-Air
②	11011	1	Case-Air Filter
③	11013	1	Element-Air Filter
④	11013A	1	Element-Air Filter
⑤	11060	2	Gasket, Muffler
⑥	11065	1	Cap
⑦	11065A	1	Cap
⑧	16060	1	Pipe-Intake
⑨	92015	2	Nut
⑩	92037	2	Clamp
⑪	92171	3	Clamp
⑫	92171A	2	Clamp
⑬	92191	1	Tube
⑭	92191A	1	Tube
⑮	130	2	Bolt-Flanged
⑯	130A	2	Bolt-Flanged
⑰	130B	2	Bolt-Flanged
⑱	317	6	Nut-Hex, Small
⑲	411	1	Washer-Plain
⑳	461	6	Washer-Spring

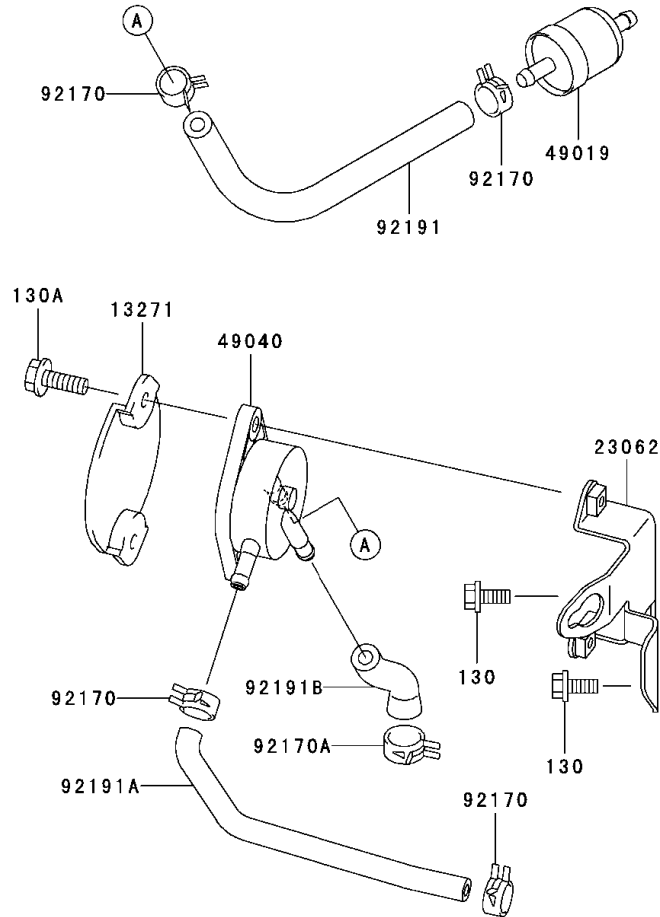
--	--	--	--



Starter Assembly Kawasaki FH680V-AS21

Ref	Part No.	Qty.	Description
● 13101	13101-7001	1	Gear ASM
● 21039	21039-7001	1	Brush
● 21080	21080-7001	1	Armature
● 21163	21163-7001	1	Starter-Electric
● 39184	39184-7001	1	Bracket ASM
● 92151	92151-7013	1	Bolt
● 130	130B0816	2	Bolt-Flanged

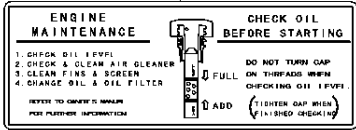
--	--	--	--



Fuel Tank / Fuel Valve Assembly Kawasaki FH680V-AS21

Ref	Part No.	Qty.	Description
① 13271	13271-7004	1	Plate
① 23062	23062-7004-9H	1	Bracket-Complete
① 49019	49019-7001	1	Filter-Fuel
① 49040	49040-7001	1	Pump-Fuel
① 92170	92170-2088	4	Clamp
① 92170A	92170-7003	1	Clamp
① 92191	92191-7003	1	Tube (6.35X12.7X160)
① 92191A	92191-7017	1	Tube
① 92191B	92191-7027	1	Tube
① 130	130B0616	2	Bolt-Flanged
① 130A	130B0620	2	Bolt-Flanged

56033



56080



**Decal Assembly
Kawasaki FH680V-AS21**

Ref	Part No.	Qty.	Description				
● 56033	56033-7002	1	Label-Manual				
● 56080	56080-7009	1	Decal-Brand				

Attachments and Accessories

For 74416 - Z453 Z Master, With 52in TURBO FORCE Side Discharge Mower

Product Name	Model/Part
Blade-Recycler	105-7779-03
Blade-Hi Flow, 18in	105-7781-03
Blade-Med Flow	105-7794-03
Blade-Low Flow	105-7795-03
Blade-Atomic	105-7796-03
Deck Lift Assist Kit	106-9749
52in Recycler Kit	107-1610
Striping Kit	107-1630
Deluxe Suspension Seat	107-1891
Suspension Kit for Standard Seat	107-1892
Z Stand Kit	107-8599
52in Finishing Kit (Twin)	78501
Twin Bagger	78507
DFS Vac Collection System	78510
Hitch kit	99-8924

