



53cm Super Recycler[®] Lawnmower

Model No. 20795 - 250000001 and up.

Parts Catalog

Ordering Replacement Parts

To order replacement parts, please supply the part number, the quantity, and the description of each part desired.

Understanding Reference Numbers

Each identified part in an illustration has a reference number. The reference number for a part also appears in the parts list, along with other information about the part.

This catalog uses two special reference number formats, one to indicate parts in a service assembly and another to indicate the quantity of a given part in an illustration.

Service Assembly Reference Numbers

Parts in service assemblies have reference numbers in the form a:b. The a represents the reference number of the entire service assembly and the b represents a sequential number unique to each part within the service assembly.

For example, a wheel assembly might be identified by reference number 6, the tire by 6:1, the valve by 6:2, and the wheel by 6:3. When you order the assembly identified by reference number 6, you receive all parts identified by reference numbers 6:1, 6:2, and 6:3. However, you may also order any part individually. Reference numbers of this type appear in illustrations and in part lists.

Reference Numbers Indicating Quantity

In an illustration, if a reference number indicates more than one part, the reference number has the form nX y. The n represents the quantity of the part, the X is the multiplication symbol, and the y represents the reference number.

For example, in an illustration, the reference number 2X 37 means that two of the parts identified by reference number 37 are indicated.

Contents

Description	Page	Description	Page
Housing Assembly	3	Carburetor Assembly Briggs and Stratton 125K07-0195-E1	16
Deck Assembly No. 108-8115	4	Air Cleaner Assembly Briggs and Stratton 125K07-0195-E1	17
Height-of-Cut and Front Wheel Assembly	5	Governor Assembly Briggs and Stratton 125K07-0195-E1	18
Rear Wheel and Gear Case Assembly	6	Muffler and Fuel Tank Assembly Briggs and Stratton 125K07-0195-E1	19
Gear Case Assembly No. 108-8140	7	Blower Housing Assembly Briggs and Stratton 125K07-0195-E1	20
Engine and Blade Assembly	8	Starter Assembly Briggs and Stratton 125K07- 0195-E1	21
Handle and Speed Control Assembly	9	Electric Starter Assembly Briggs and Stratton 125K07-0195-E1	22
Brake Control Assembly	10	358 Gasket Set Assembly Briggs and Stratton 125K07-0195-E1	23
Electrical Assembly	11	121 Carburetor Overhaul Kit and 977 Carburetor Gasket Set Assemblies Briggs and Stratton 125K07-0195-E1	24
Grass Bag Assembly	12	Attachments and Accessories List	25
Cylinder Assembly Briggs and Stratton 125K07-0195-E1	13		
Crankshaft Assembly Briggs and Stratton 125K07-0195-E1	14		
Crankcase Assembly Briggs and Stratton 125K07-0195-E1	15		

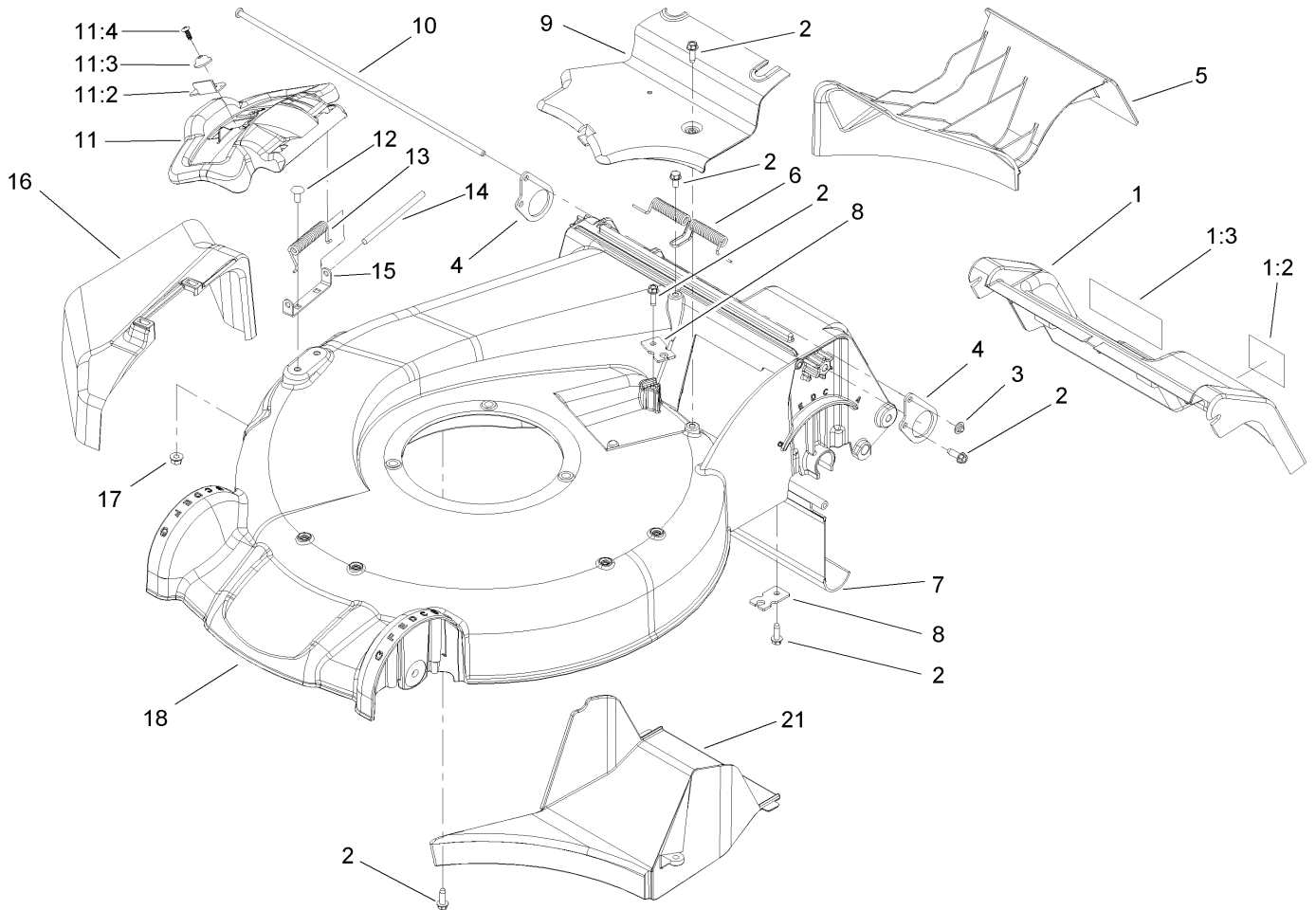
Part Description Abbreviations

Part descriptions in this catalog may include the following abbreviations.

AR. as required	HWHTF. hex washer head thread forming
ASM. assembly	HYD. hydraulic
BBC. Blade Brake Clutch	INC. incorporated
CARR. carriage	LH. left hand
DEG. degrees	NI. nylon insert
EXT. external	NPTF. national pipe thread fine
FH. flat head	PPH. phillips pan head
GA. gauge	PPHTF. phillips pan head thread forming
HF. hex flange	PRH. phillips round head
HH. hex head	PTH. phillips truss head
HHF. hex head flange	PTO. power take off
HHFTF. hex head flange thread forming	RH. right hand
HJ. hex jam	ROPS. roll over protection system
HLH. hex lag head	SFH. slotted fillister head
HOC. height-of-cut	SHH. slotted hex head
HSBH. hex socket button head	SHWH. slotted hex washer head
HSFH. hex socket flat head	SPH. slotted pan head
HSH. hex socket head	SQH. square head
HWH. hex washer head	

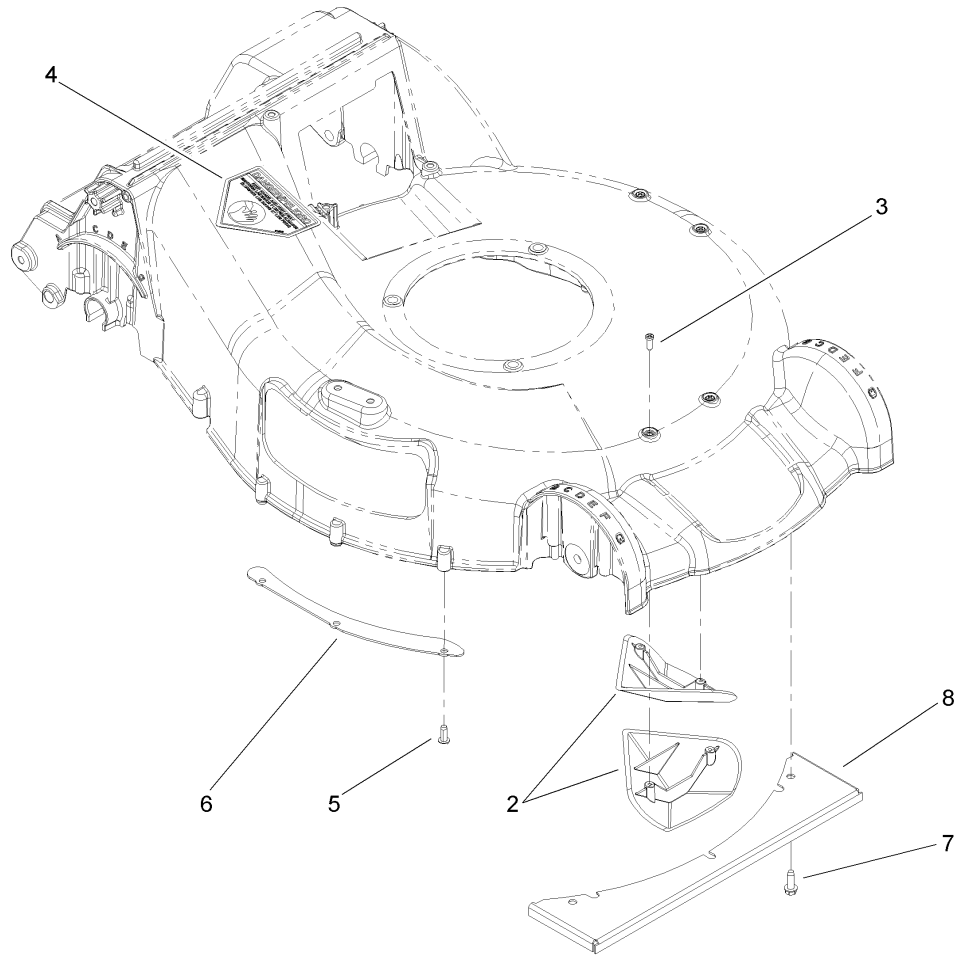
Footnotes

- ❶ Not serviced separately
- ❷ Obtain parts from your local Briggs & Stratton dealer
- ❸ Included in Carburetor Overhaul Kit (Ref. No. 121)
- ❹ Included in Engine Gasket Set (Ref. No. 358)
- ❺ Included in Carburetor Gasket Set (Ref. No. 977)



Housing Assembly

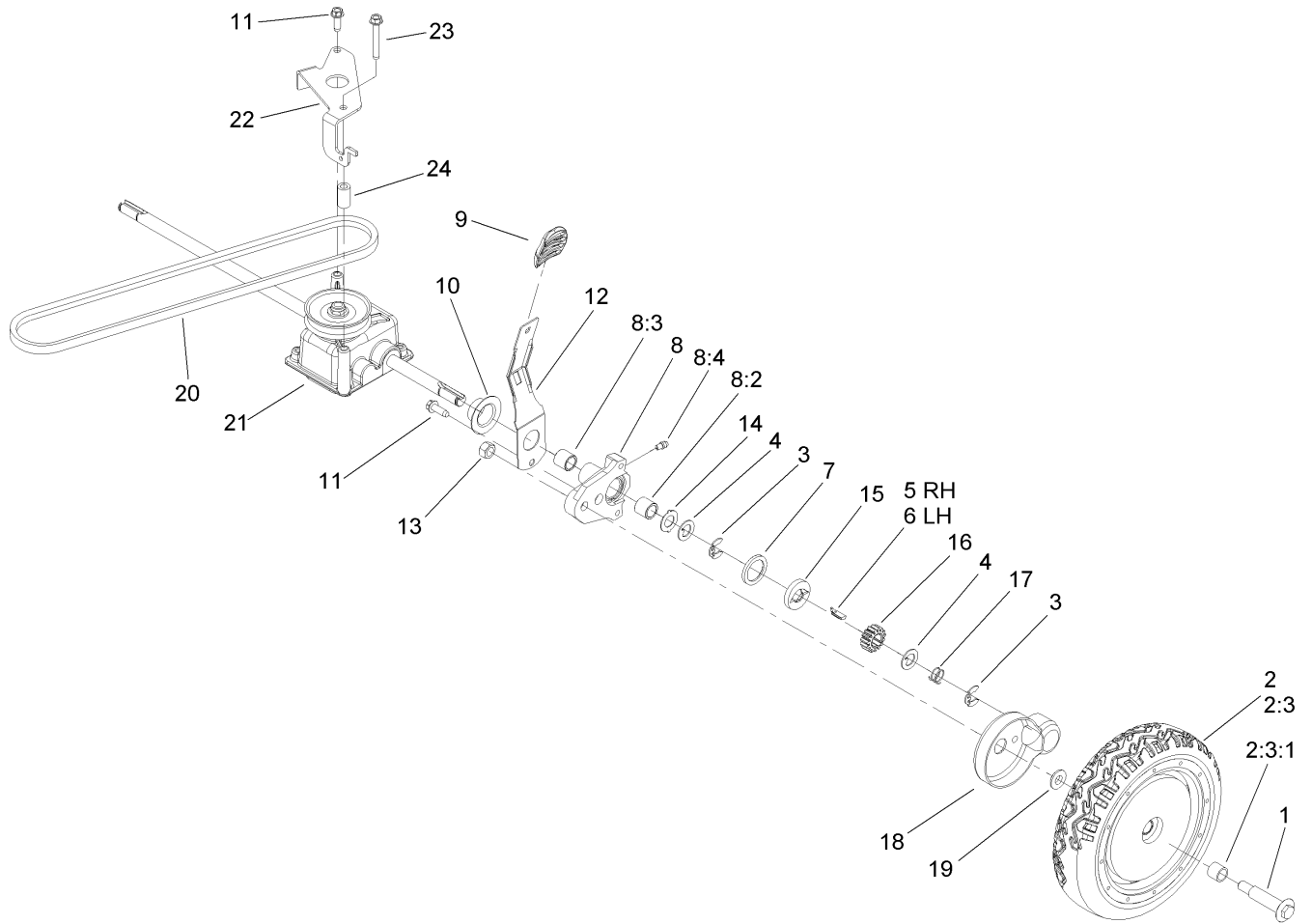
Ref	Part No.	Qty.	Description
1	105-1324	1	Rear Door ASM
1:2	104-7909	1	Decal-Warning
1:3	104-7908	1	Decal-Warning
2	49-2040	8	Screw-HWHTF
3	3290-337	1	Nut-Speed
4	107-7493	2	Plate-Support, Door
5	107-7490	1	Plug-Mulch
6	105-3032	1	Spring-Door, Rear
7	107-7496	1	Shield-Trailing
8	107-7497	2	Bracket-Cable, Traction
9	107-7494	1	Cover-Belt
10	107-7499	1	Rod-Support, Door
11	107-3717	1	Discharge Door ASM
11:2	107-0795	1	Latch-Door
11:3	107-7456	1	Cap-Door
11:4	107-7461	1	Screw-Plastite
12	3229-11	2	Screw-CARR
13	99-5293	1	Spring-Torsion
14	99-5291	1	Rod-Cover
15	99-5292	1	Bracket-Cover
16	108-3753	1	Chute-Discharge, Side
17	32128-32	2	Nut-HHF
18	108-8115	1	Housing ASM
21	107-7495	1	Tunnel-Discharge



Deck Assembly No. 108-8115

Ref	Part No.	Qty.	Description
2	108-3798	2	Kicker-Housing
3	32144-111	4	Screw-PPH
4	94-8072	1	Decal-Danger
5	63-8590	3	Screw
6	105-1316-03	1	Sheet-Lip
7	49-2040	3	Screw-HWHTF
8	108-3797-03	1	Plate-Cover, Front

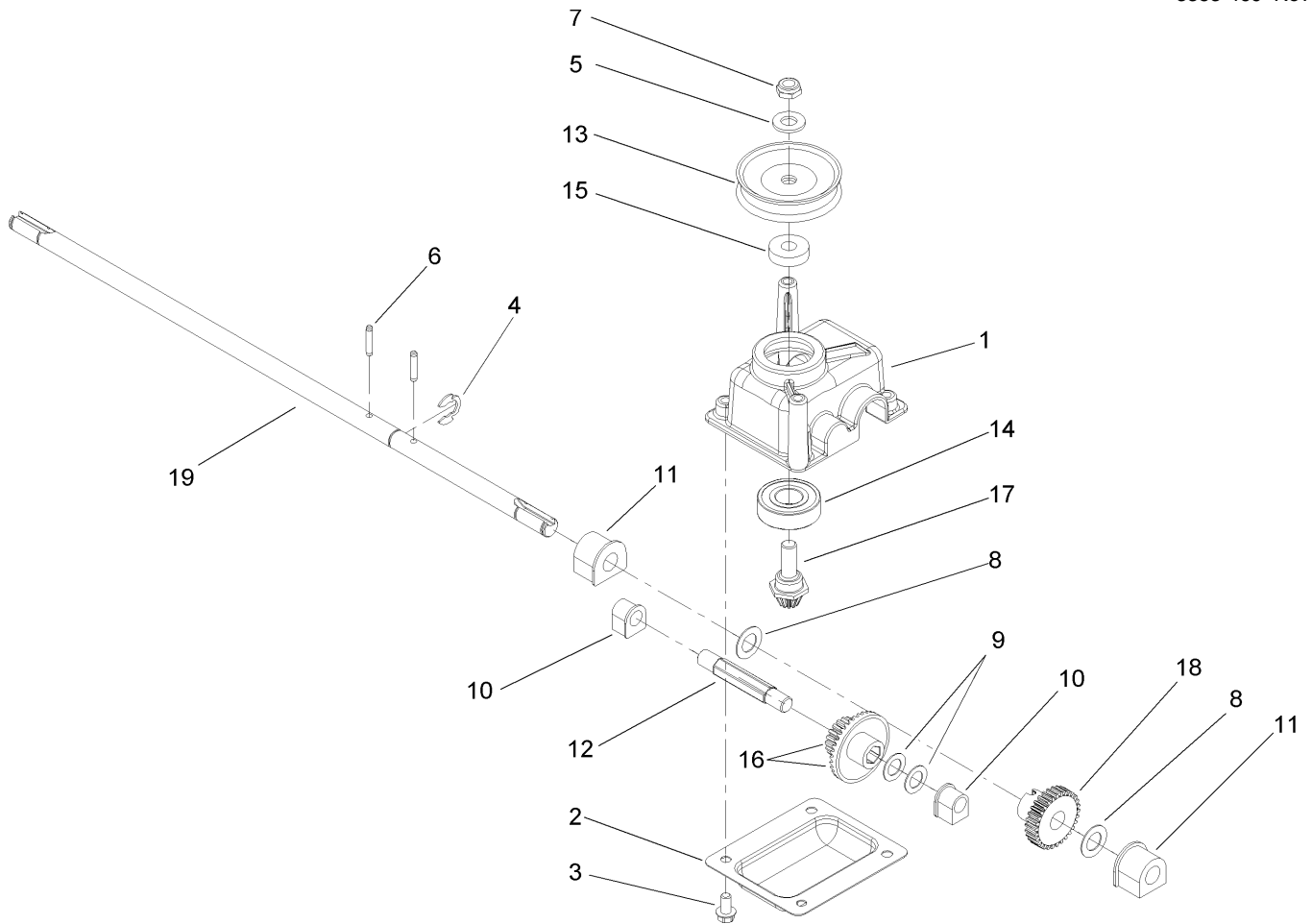
--	--	--	--



Rear Wheel and Gear Case Assembly

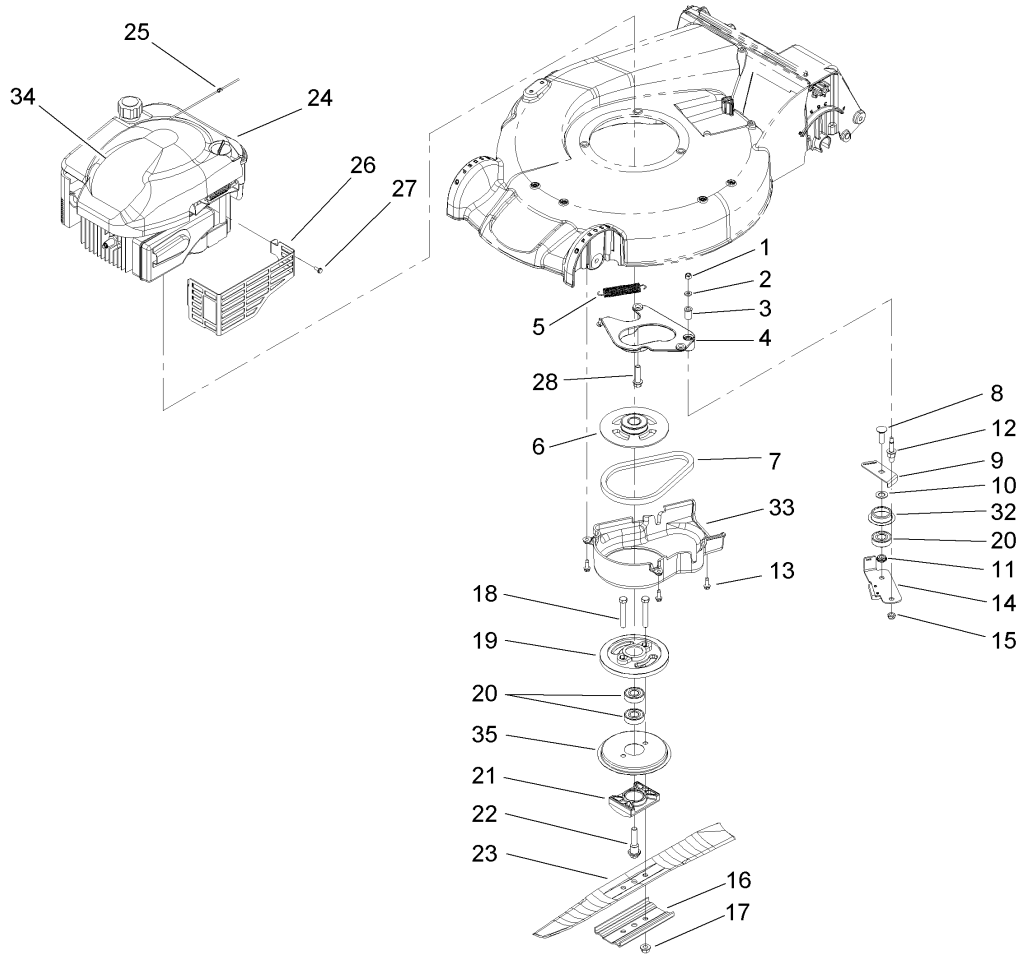
Ref	Part No.	Qty.	Description
1	92-1057	2	Bolt-Shoulder
2	107-3707	2	Wheel Gear ASM
2:3		1	8 Inch Wheel ASM
2:3:1	27-6250	2	Bushing
3	65-2720	4	Klipring-Locking
4	65-4740	4	Washer-Thrust, Keyed
5	66-6040	1	Key-Rocking, RH
6	66-6050	1	Key-Rocking, LH
7	65-4710	2	Ring-Friction
8	100-8774	2	Pivot Arm ASM
8:2	47-2900	1	Bushing
8:3	70-9760	1	Bushing
8:4	302-56	1	Fitting-Grease
9	105-3042	2	Knob-Lever, HOC
10	42-3520	2	Cap-End
11	49-2040	3	Screw-HWHTF
12	107-7491	2	Spring Arm
13	603773	2	Nut
14	65-4730	2	Washer-Arm, Pivot
15	65-4760	2	Washer-Clutch
16	65-4750	2	Gear-Pinion
17	65-4720	2	Spring-Compression
18	74-1660	2	Cover-Wheel
19	74-1671	2	Spacer-Cover, Wheel

Ref	Part No.	Qty.	Description
20	99-1597	1	V-Belt
21	108-8140	1	Gear Case ASM
22	107-7483-03	1	Bracket-Gearbox
23	92-1616	1	Screw-HWHTF
24	614673	1	Bushing-Plate, Actuator



Gear Case Assembly No. 108-8140

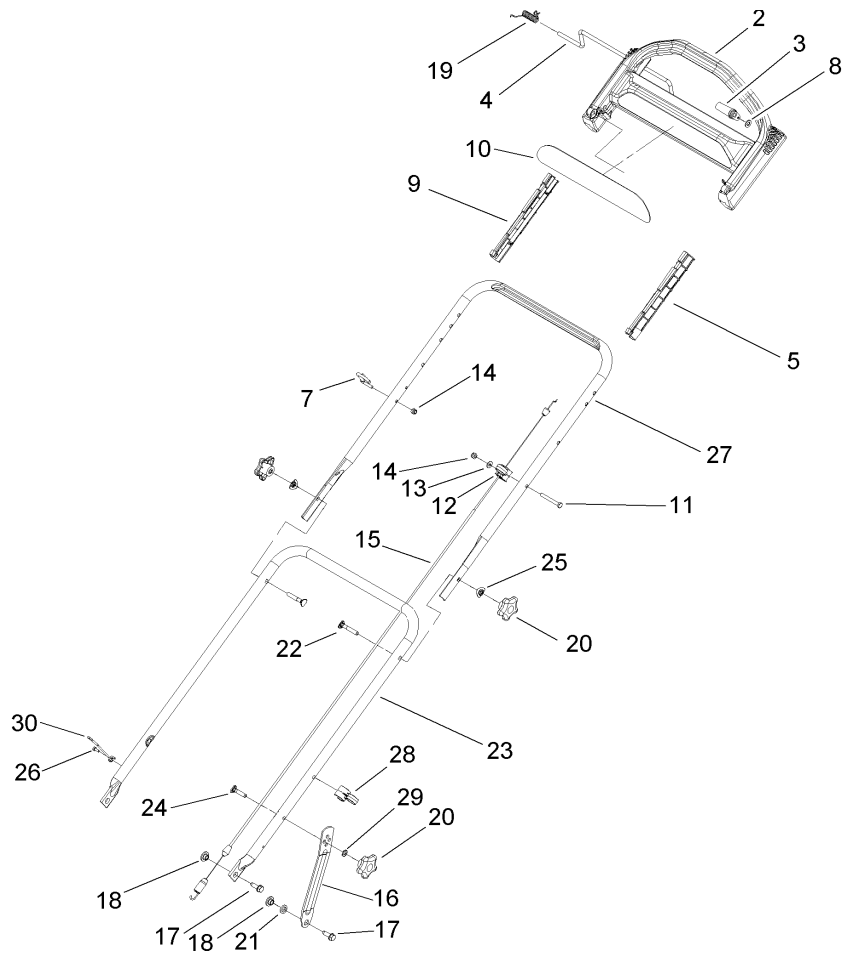
Ref	Part No.	Qty.	Description
1	104-7619	1	Case-Gear
2	614668-03	1	Cover-Case, Gear
3	32144-4	4	Screw-HWH
4	32151-68	1	Ring-Retaining
5	3256-24	1	Washer-Flat
6	3285-19	2	Pin-Groove
7	3296-5	1	Nut-Lock
8	36-4780	2	Washer
9	36-4791	2	Washer-Thrust
10	60-8750	2	Bushing
11	60-8850	2	Bushing
12	614696	1	Shaft-Intermediate
13	100-1176	2	Pulley-Half
14	100-1048	1	Bearing-Ball
15	62-6660	1	Spacer
16	104-1005	1	Gear-19T Spur, 37T Bevel
17	104-7667	1	Gear-Pinion, Bevel
18	104-1004	1	Gear-30T
19	108-8141	1	Shaft-Output



Engine and Blade Assembly

Ref	Part No.	Qty.	Description
1	3296-42	1	Nut-Lock, NI
2	3256-16	1	Washer-Flat
3	107-0797	1	Bushing
4	107-0761	1	Plate-Anchor
5	108-3792	1	Spring-Tension, Brake
6	107-0753	1	Pulley
7	107-0796	1	Belt
8	3231-25	1	Screw-CARR
9	107-7471	1	Plate-Guide
10	605256	1	Washer
11	107-0758	1	Spacer-Bearing
12	107-0759	1	Bolt-Shoulder
13	49-2040	3	Screw-HWHTF
14	107-7477	1	Brake Arm ASM
15	603773	2	Nut
16	108-3766-03	1	Support-Blade
17	54-9190	2	Nut-Lock
18	3211-42	2	Screw-HH
19	107-0754	1	Drum
20	108-3765	3	Bearing-Ball
21	107-7487	1	Support-Blade
22	107-7486	1	Bolt-Crank
23	108-3759-03	1	Blade-Bagging

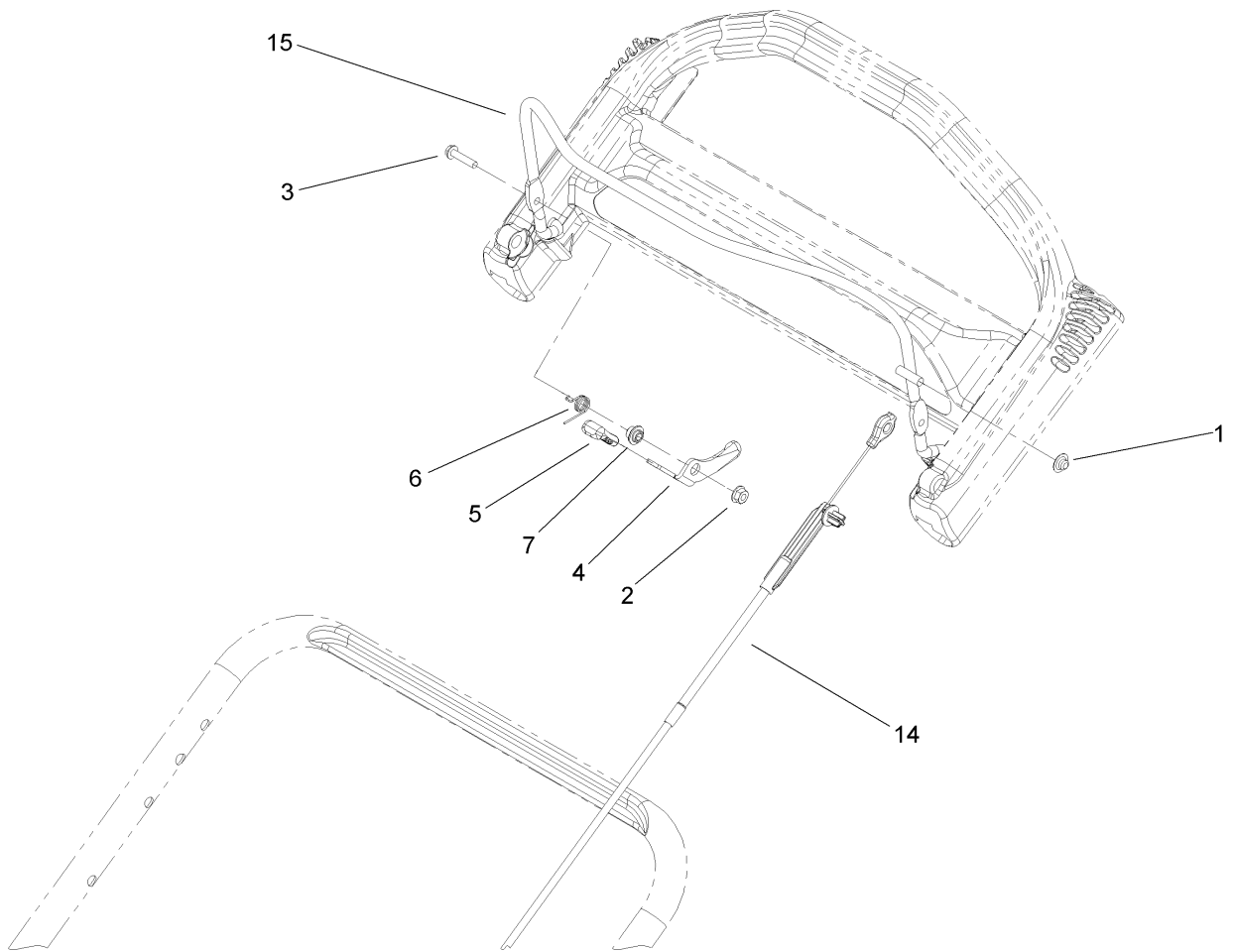
Ref	Part No.	Qty.	Description
① 24		1	Engine-Briggs And Stratton, 125K07-0195-E1
25	2210-316	1	Stop-Rope
26	104-7577-03	1	Shield-Muffler
27	32144-1	3	Screw-Taptite
28	32144-102	3	Screw-HWH
32	108-3790	1	Retainer-Belt
33	107-7488	1	Cover
34	108-8135	1	Decal-Recoil
35	108-3787	1	Disc



Handle and Speed Control Assembly

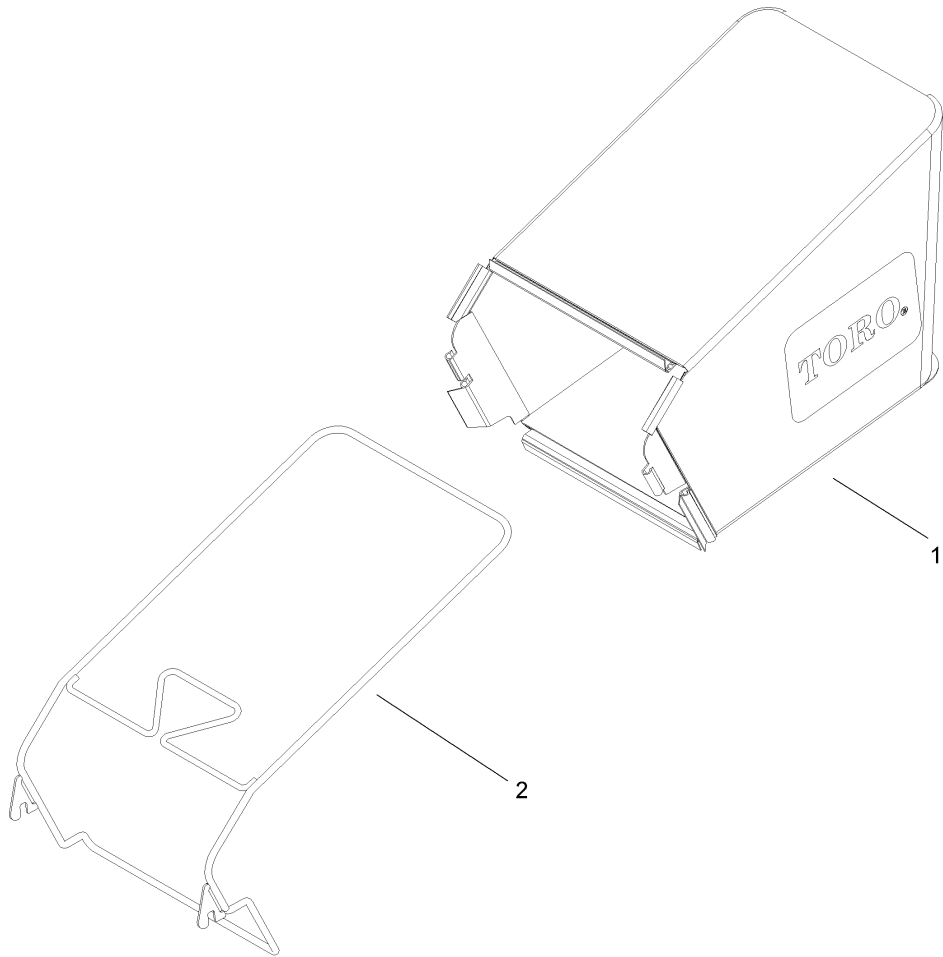
Ref	Part No.	Qty.	Description
2	104-8678	1	Handle-Control
3	99-1589	1	Lever-Traction
4	99-1588	1	Bar-Control, Traction
5	105-6842	1	Guide-LH
7	86-9671	1	Guide-Rope
8	3256-23	1	Washer-Flat
9	105-6841	1	Guide-RH
10	108-8136	1	Decal-Handle
11	321-50	1	Screw-HH
12	92-7729	1	Anchor-Cable, Upper
13	3256-1	1	Washer-Flat
14	3296-73	2	Nut-Lock, NI
15	107-3790	1	Cable-Traction
16	107-3780-03	2	Support-Handle
17	701243	4	Screw-HWHTF
18	27-6600	4	Spacer-Coupling
19	104-8690	1	Spring-Torsion
20	106-4161	4	Knob-Handle
21	55-9670	2	Washer
22	92-2260	2	Screw-Handle
23	107-7476-05	1	Handle-Lower
24	92-4095	2	Screw-Handle
25	107-3844	2	Washer
26	32144-53	1	Screw-SHWH

Ref	Part No.	Qty.	Description
27	107-3781-05	1	Handle-Upper
28	106-6805	1	Guide-Cable
29	3255-8	2	Washer-Lock
30	108-9452	1	Hook-Rope, Displacement



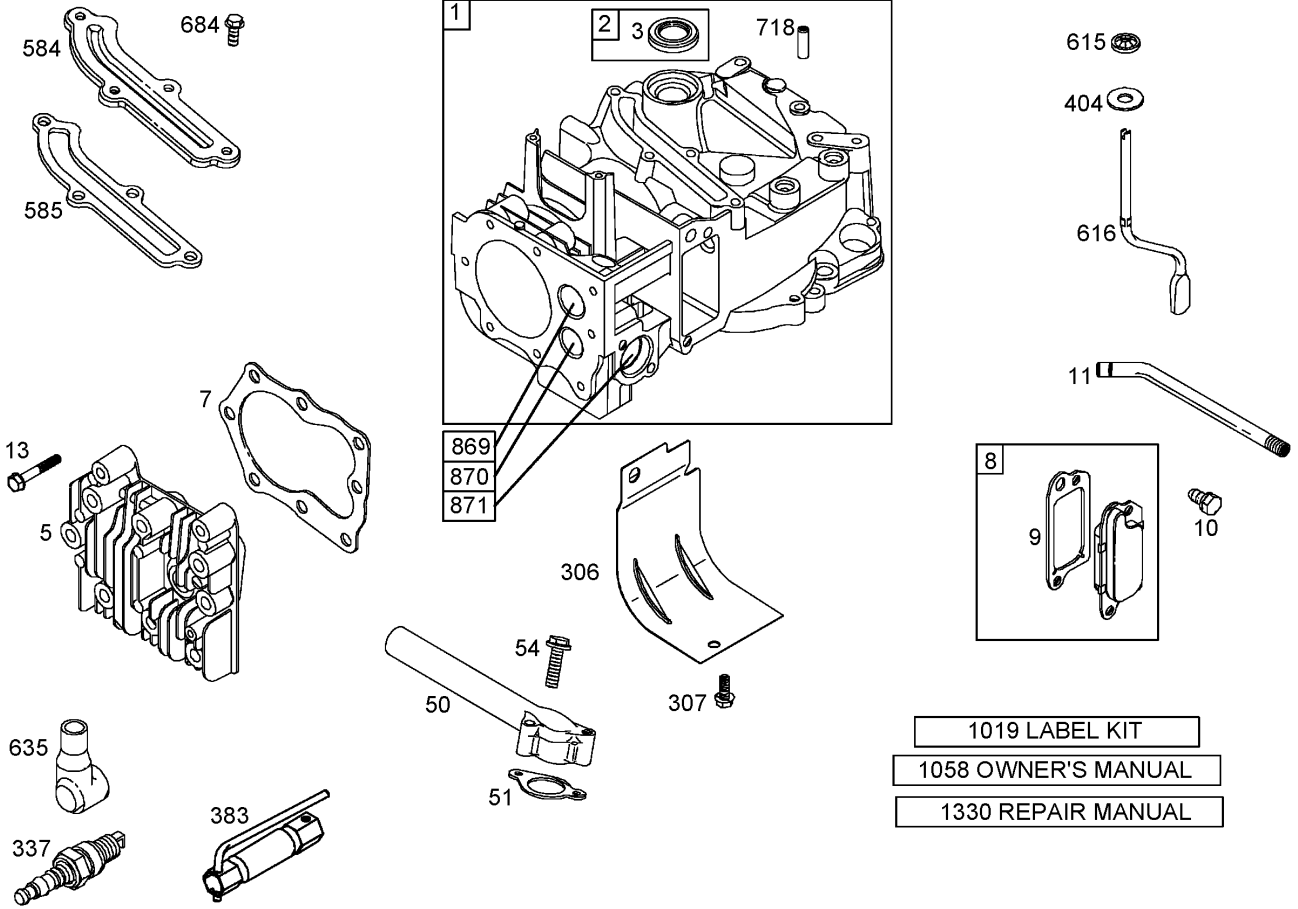
Brake Control Assembly

Ref	Part No.	Qty.	Description
1	3290-337	1	Nut-Speed
2	32128-17	1	Nut-Lock, Flange
3	106-9169	1	Screw
4	106-6802	1	Lever
5	106-6803	1	Knob
6	107-7462	1	Spring-Torsion
7	107-7463	1	Spacer
14	108-3760	1	Cable ASM
15	108-3788-03	1	Bail-Brake



Grass Bag Assembly

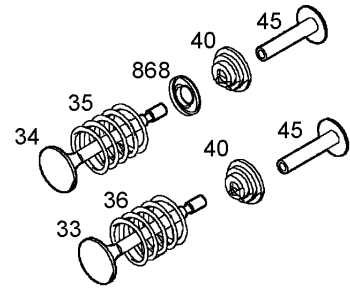
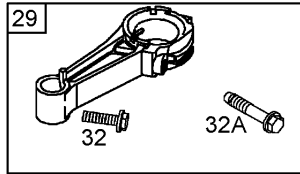
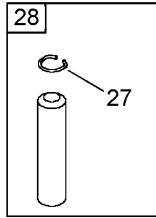
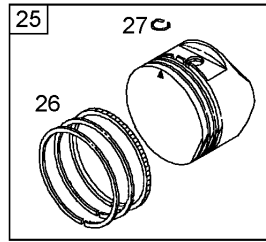
Ref	Part No.	Qty.	Description
1	107-3779	1	Grass Bag ASM
2	107-3785-03	1	Bag Frame ASM



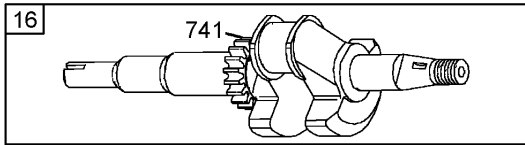
Cylinder Assembly Briggs and Stratton 125K07-0195-E1

Ref	Part No.	Qty.	Description
1	697322	1	Cylinder ASM
2	399269	1	Bushing/Seal Kit
3	299819	1	Seal-Oil
5	691160	1	Head-Cylinder
7	692249	1	Gasket-Head, Cylinder
8	695250	1	Breather ASM
9	699472	1	Gasket-Breather
10	691125	1	Screw
11	691781	1	Tube-Breather
13	690912	1	Screw
50	497465	1	Manifold-Intake
51	272199	1	Gasket-Intake
54	691650	1	Screw
306	690450	1	Shield-Cylinder
307	690345	1	Screw
337	802592	1	Plug-Spark
383	89838	1	Wrench-Plug, Spark
404	690272	1	Washer
584	697734	1	Cover-Passage, Breather
585	691879	1	Gasket-Passage, Breather
615	690340	1	Retainer-Shaft, Governor
616	698801	1	Crank-Governor
635	66538	1	Boot-Plug, Spark
684	690345	1	Screw

Ref	Part No.	Qty.	Description
718	690959	1	Pin-Locating
869	691155	1	Seat-Valve (Intake)
870	690380	1	Seat-Valve (Exhaust)
871	262001	1	Bushing-Guide (Exhaust)
871	63709	1	Bushing-Guide (Intake)
1019	494256	1	Label Kit
1058	275177	1	Manual-Owner's
1330	270962	1	Manual-Repair



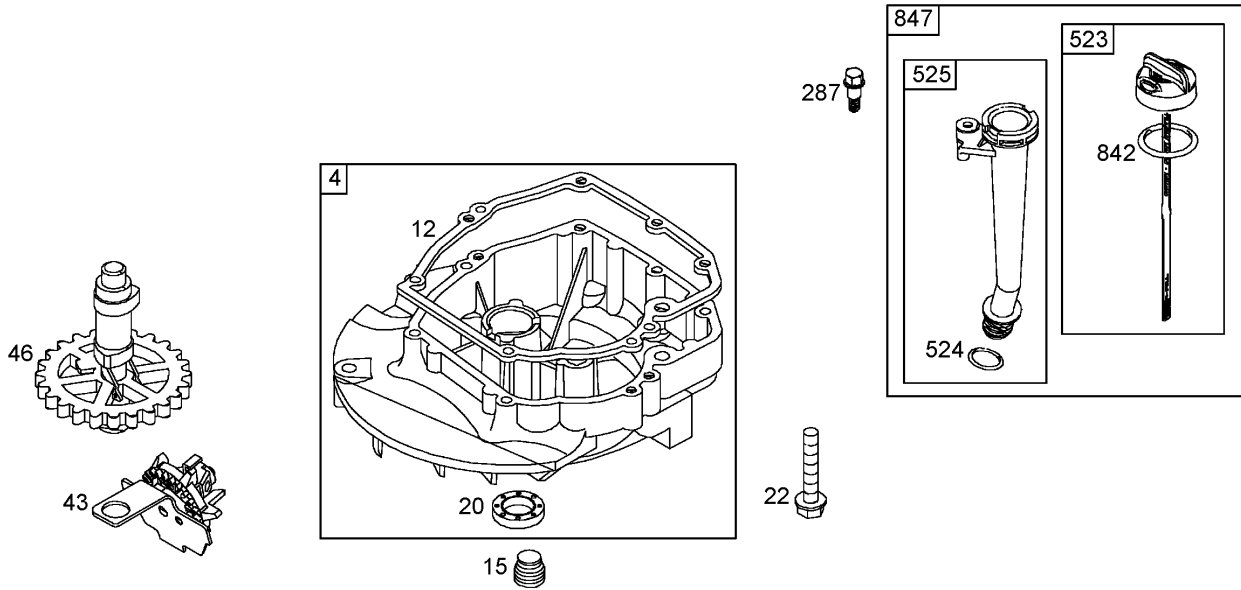
24



Crankshaft Assembly Briggs and Stratton 125K07-0195-E1

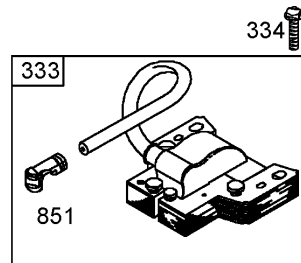
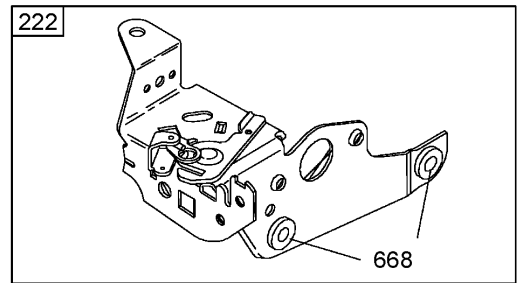
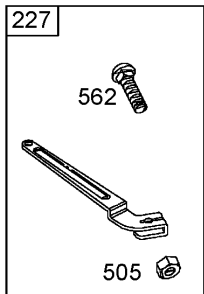
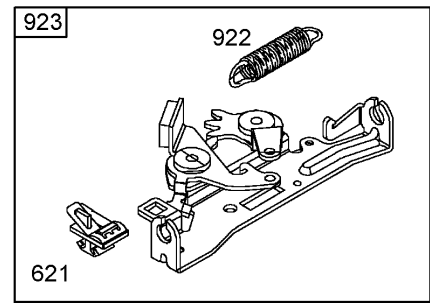
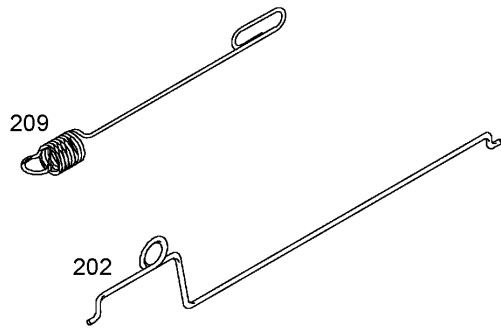
Ref	Part No.	Qty.	Description
16	791061	1	Crankshaft
24	222698	1	Key
25	790359	1	Piston ASM (Standard)
25	791326	1	Piston ASM (.020In Oversize)
26	790360	1	Ring Set (Standard)
26	791324	1	Ring Set (.020In Oversize)
27	691866	1	Lock-Pin, Piston
28	499423	1	Pin-Piston
28	298908	1	Pin-Piston (.005In Undersize)
29	499424	1	Rod-Connecting
32	691664	1	Screw
32A	695759	1	Screw
33	262651	1	Valve-Exhaust
34	262652	1	Valve-Intake
35	691270	1	Spring-Valve
36	691270	1	Spring-Valve
40	692194	1	Retainer-Valve
45	690548	1	Tappet-Valve
741	790345	1	Gear-Timing
868	697338	1	Seal-Valve

--	--	--	--



Crankcase Assembly Briggs and Stratton 125K07-0195-E1

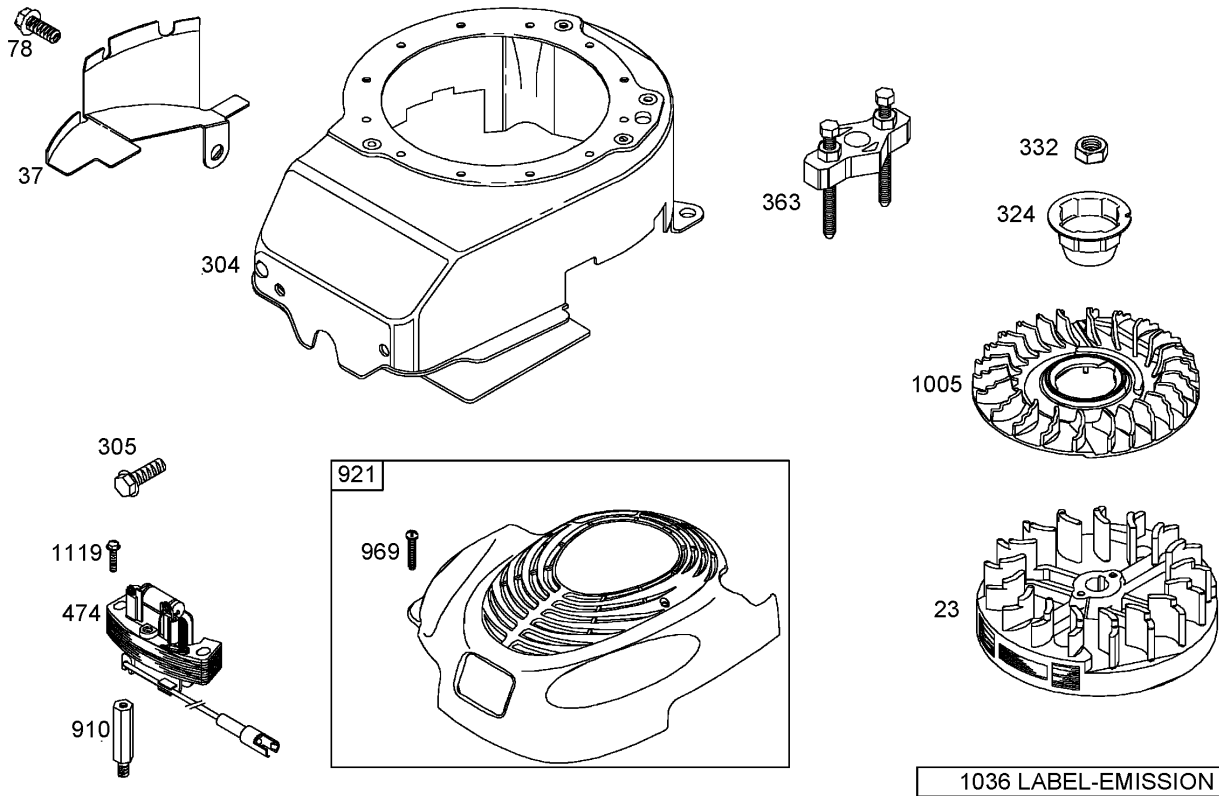
Ref	Part No.	Qty.	Description				
②4	493279	1	Sump-Engine				
②④12	692232	1	Gasket-Crankcase				
②15	691680	1	Plug-Drain, Oil				
②④20	399781	1	Seal-Oil				
②22	691092	1	Screw (Engine Sump)				
②43	691997	1	Slinger-Governor/Oil				
②46	691449	1	Camshaft				
②287	690940	1	Screw (Dipstick Tube)				
②523	499621	1	Dipstick				
②④524	692296	1	Seal-O Ring				
②525	495265	1	Tube-Dipstick				
②④842	691031	1	Seal-O Ring				
②847	692047	1	Dipstick/Tube ASM				



Governor Assembly Briggs and Stratton 125K07-0195-E1

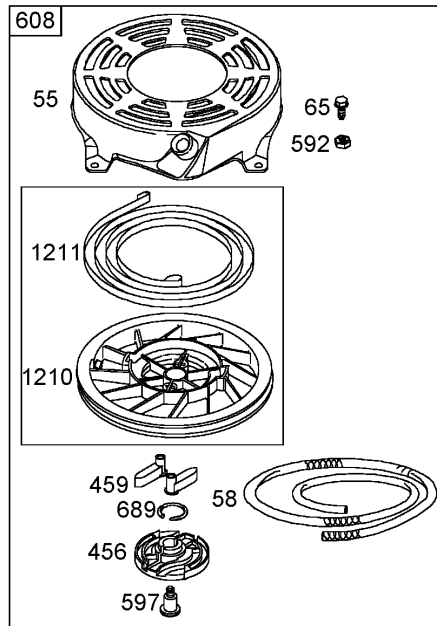
Ref	Part No.	Qty.	Description
2188	693399	1	Screw
2202	691829	1	Link-Governor, Mechanical
2209	691852	1	Spring-Governor
2222	791128	1	Bracket-Control
2227	690783	1	Lever-Control, Governor
2333	802574	1	Armature-Magneto
2334	691061	1	Screw
2356	690791	1	Wire-Stop
2505	691251	1	Nut
2562	691119	1	Screw
2621	692310	1	Switch-Stop
2668	493823	1	Spacer
2745	691648	1	Screw
2851	493880	1	Terminal-Plug, Spark
2922	691831	1	Spring-Brake
2923	691994	1	Brake ASM

--	--	--	--



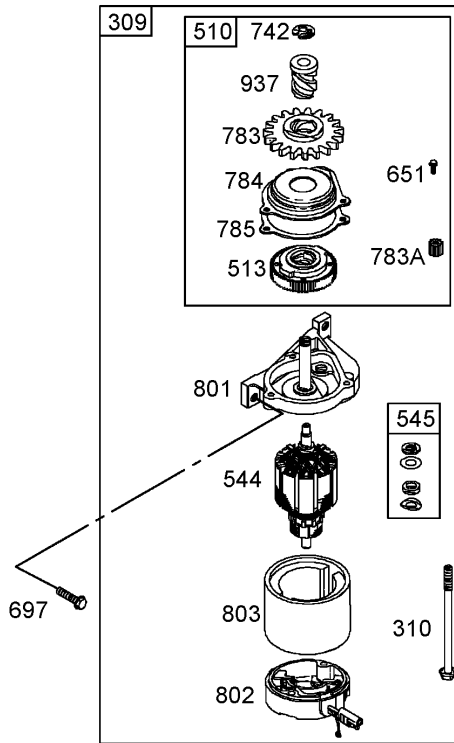
Blower Housing Assembly Briggs and Stratton 125K07-0195-E1

Ref	Part No.	Qty.	Description
23	691992	1	Flywheel
37	694086	1	Guard-Flywheel
78	691108	1	Screw
304	493294	1	Housing-Blower
305	691108	1	Screw
324	695161	1	Cup/Screen ASM
332	690662	1	Nut
363	19069	1	Puller-Flywheel
474	691991	1	Alternator
910	691094	1	Stud
921	790036	1	Cover-Housing, Blower
969	691138	1	Screw
1005	691346	1	Fan-Flywheel
1036	790411	1	Label-Emission
1119	692979	1	Screw



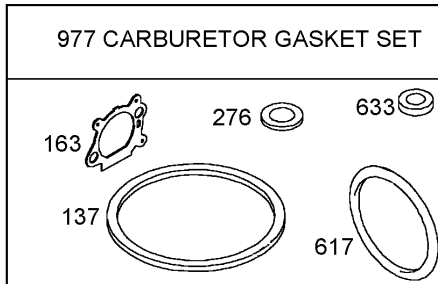
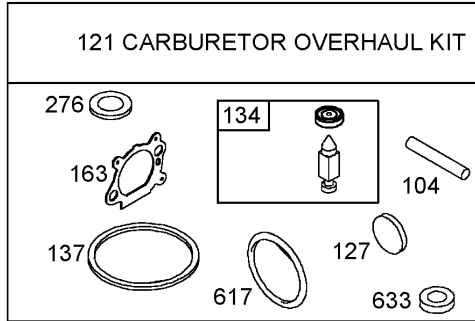
Starter Assembly Briggs and Stratton 125K07-0195-E1

Ref	Part No.	Qty.	Description				
②55	691421	1	Housing-Starter, Rewind				
②58	791362	1	Rope-Starter (Cut To Required Length)				
②65	690837	1	Screw				
②456	692299	1	Plate-Friction, Pawl				
②459	281505	1	Ratchet-Pawl				
②592	690800	1	Nut				
②597	691696	1	Screw				
②608	791363	1	Starter-Rewind				
②689	691855	1	Spring-Friction				
②1210	498144	1	Pulley/Spring ASM (Pulley)				
②1211	498144	1	Pulley/Spring ASM (Spring)				



Electric Starter Assembly Briggs and Stratton 125K07-0195-E1

Ref	Part No.	Qty.	Description
309	695550	1	Motor-Starter
310	692327	1	Bolt
510	494147	1	Drive-Starter
513	692358	1	Clutch-Drive
544	690786	1	Armature-Starter
545	492919	1	Washer Set
651	690345	1	Screw
697	691127	1	Screw
742	93941	1	Retainer-E Ring
783	691918	1	Gear-Pinion
783A	691269	1	Gear-Pinion
784	692341	1	Cover-Gear, Starter
785	692352	1	Gasket-Cover, Starter
801	690782	1	Cap-Drive
802	65267	1	Cap-End
803	695266	1	Housing-Starter
937	691325	1	Spline-Starter



121 Carburetor Overhaul Kit and 977 Carburetor Gasket Set Assemblies Briggs and Stratton 125K07-0195-E1

Ref	Part No.	Qty.	Description				
②104	691242	1	Pin-Hinge, Float				
②121	498260	1	Carburetor Overhaul Kit				
②127	694468	1	Plug-Welch				
②134	398188	1	Needle/Seat Kit				
②137	693981	1	Gasket-Bowl, Float				
②④163	272653	1	Gasket-Cleaner, Air				
②276	271716	1	Washer-Sealing				
②④617	270344	1	Seal-O Ring (Intake Manifold)				
②633	691321	1	Seal (Choke/Throttle Shaft)				
②977	498261	1	Gasket Set-Carburetor				

Attachments and Accessories

For 20795 - 53cm Super Recycler Lawnmower

Product Name	Model/Part
Blade-Bagging	108-3759-03
Traction Assist Handle Kit	108-8120

NOTES

NOTES

