



## Z557 Z Master<sup>®</sup> With 60in TURBO FORCE Side Discharge Mower

Model No. 74246 - 250000001 and up.

### Parts Catalog

---

#### Ordering Replacement Parts

To order replacement parts, please supply the part number, the quantity, and the description of each part desired.

#### Understanding Reference Numbers

Each Identified part in an illustration has a reference number. The reference number for a part also appears in the parts list, along with other information about the part.

This catalog uses two special reference number formats, one to indicate parts in a service assembly and another to indicate the quantity of a given part in an illustration.

#### Service Assembly Reference Numbers

Parts in service assemblies have reference numbers in the form a:b. The a represents the reference number of the entire service assembly and the b represents a sequential number unique to each part within the service assembly.

For example, a wheel assembly might be identified by reference number 6, the tire by 6:1, the valve by 6:2, and the wheel by 6:3. When you order the assembly identified by reference number 6, you receive all parts identified by reference numbers 6:1, 6:2, and 6:3. However, you may also order any part individually. Reference numbers of this type appear in illustrations and in part lists.

#### Reference Numbers Indicating Quantity

In an illustration, if a reference number indicates more than one part, the reference number has the form nX y. The n represents the quantity of the part, the X is the multiplication symbol, and the y represents the reference number.

For example, in an illustration, the reference number 2X 37 means that two of the parts identified by reference number 37 are indicated.

# Contents

Description	Page	Description	Page
Front Frame Assembly	..... 3	Spindle Assembly No. 106-3217	..... 22
Caster and Wheel Assembly	..... 4	Deck Decal Assembly No. 107-1624	..... 23
Main Frame Assembly	..... 5	Rubber Deflector Assembly No. 106-3249	..... 24
Brake and Wheel Hub Assembly	..... 6	Lever Assembly No. 106-3242	..... 25
Steering Control Assembly	..... 7	Crankshaft Assembly Kohler CH740-0054	..... 26
Hydraulic System Assembly	..... 8	Oil Pan / Lubrication Assembly Kohler CH740-0054	..... 27
Seat and Roll-Over-Protection-System Assembly	..... 10	Head / Valve / Breather Assembly Kohler CH740-0054	..... 28
Seat Assembly No. 107-1867	..... 11	Ignition Electrical Assembly Kohler CH740-0054	..... 29
Roll-Over-Protection-System Assembly No. 108-1097	..... 12	Blower Housing Assembly Kohler CH740-0054	..... 30
Deck Connection Assembly	..... 13	Starter Assembly Kohler CH740-0054	..... 31
Drive Idler Assembly	..... 14	Fuel System Assembly Kohler CH740-0054	..... 32
Z-Stand Assembly	..... 15	Engine Control Assembly Kohler CH740-0054	..... 33
Engine and Clutch Assembly	..... 16	Air Intake / Filtration Assembly Kohler CH740-0054	..... 34
Muffler and Guard Assembly	..... 17	Exhaust Assembly Kohler CH740-0054	..... 35
Fuel Tank Assembly	..... 18	Attachments and Accessories List	..... 36
Electrical Assembly	..... 19		
60in Deck Assembly	..... 20		

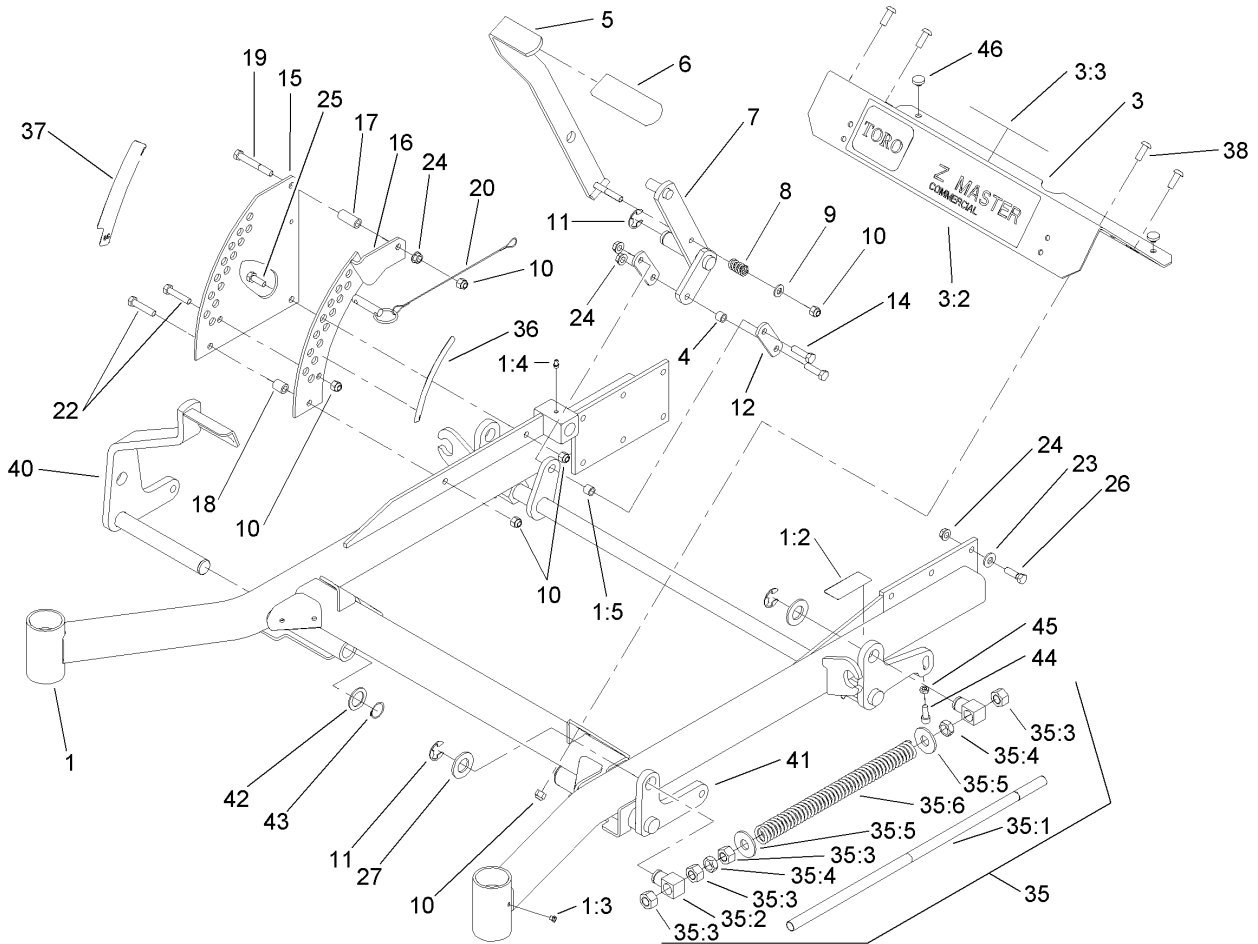
## Part Description Abbreviations

Part descriptions in this catalog may include the following abbreviations.

AR. .... as required	HWHTF. .... hex washer head thread forming
ASM. .... assembly	HYD. .... hydraulic
BBC. .... Blade Brake Clutch	INC. .... incorporated
CARR. .... carriage	LH. .... left hand
DEG. .... degrees	NI. .... nylon insert
EXT. .... external	NPTF. .... national pipe thread fine
FH. .... flat head	PPH. .... phillips pan head
GA. .... gauge	PPHTF. .... phillips pan head thread forming
HF. .... hex flange	PRH. .... phillips round head
HH. .... hex head	PTH. .... phillips truss head
HHF. .... hex head flange	PTO. .... power take off
HHFTF. .... hex head flange thread forming	RH. .... right hand
HJ. .... hex jam	ROPS. .... roll over protection system
HLH. .... hex lag head	SFH. .... slotted fillister head
HOC. .... height-of-cut	SHH. .... slotted hex head
HSBH. .... hex socket button head	SHWH. .... slotted hex washer head
HSFH. .... hex socket flat head	SPH. .... slotted pan head
HSH. .... hex socket head	SQH. .... square head
HWH. .... hex washer head	

## Footnotes

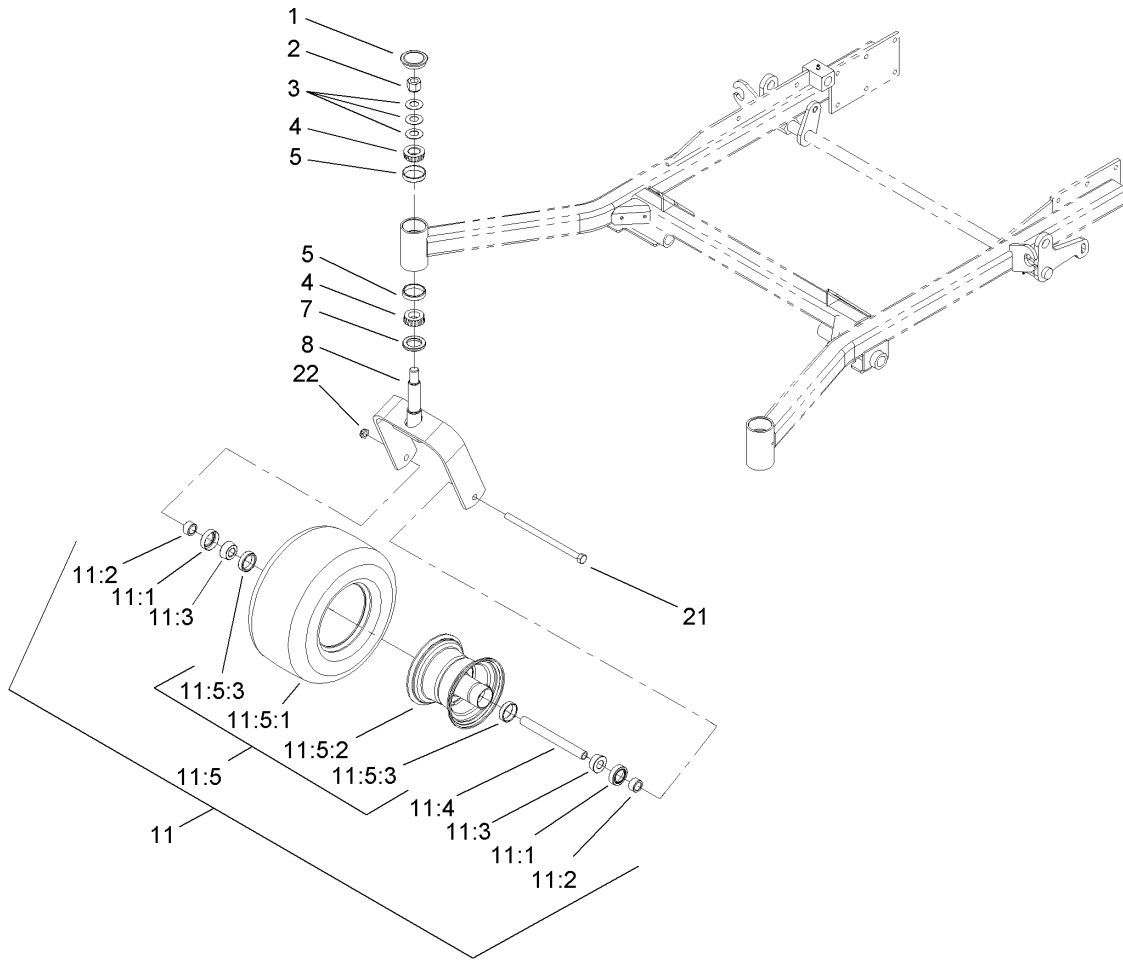
- ❶ Not illustrated
- ❷ Not serviced separately
- ❸ Obtain Parts From Your Local Kohler Dealer



## Front Frame Assembly

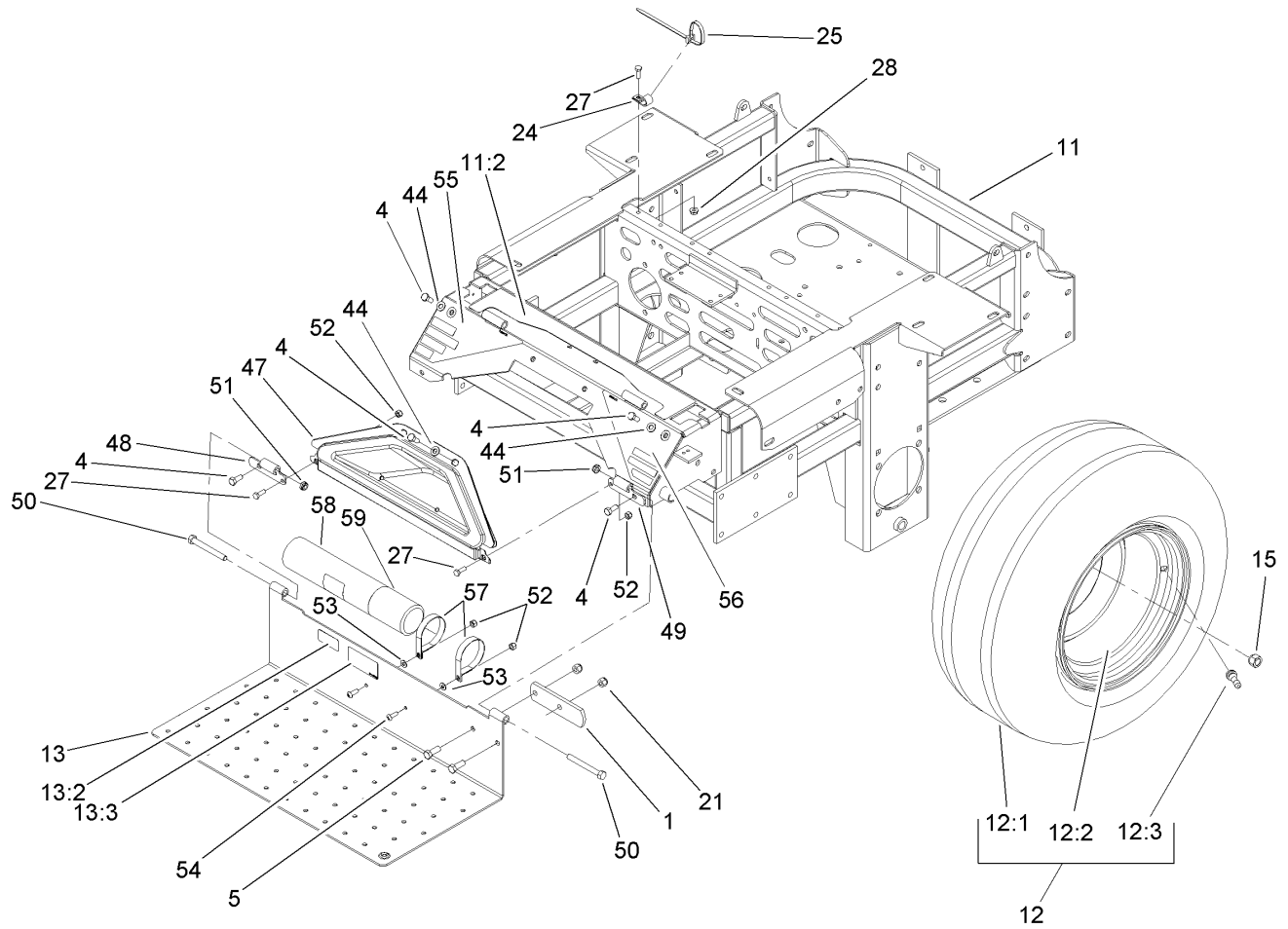
Ref	Part No.	Qty.	Description
1	107-8085	1	Front Frame ASM
1:2	107-1857	1	Decal-Brake, Parking
1:3	1-811010	2	Plug
1:4	302-19	5	Fitting-Grease
1:5	103-1918	1	Bushing
3	106-9981	1	Front Floorpan ASM
3:2	106-7451	1	Decal
3:3	107-2112	1	Decal-Warning
4	103-1918	1	Bushing
5	103-2083-03	1	Lift Lever ASM
6	1-633295	1	Grip-Lever, Lift
7	103-2064-03	1	Arm-Lift, Deck
8	1-633325	1	Spring-Compression
9	3256-24	1	Washer-Flat
10	3296-39	9	Nut-Lock, NI
11	32151-103	5	Ring-Snap
12	1-633068	2	Arm-Lift, Deck
14	323-29	2	Screw-HH
15	1-633889-01	1	Plate-Lift, Deck
16	1-632899-01	1	Plate-Lift, Deck
17	1-633082	1	Bushing-Lever, Lift
18	1-633080	1	Bushing-Lever, Lift
19	323-13	1	Screw-HH
20	106-9951	1	Hitch Pin ASM

Ref	Part No.	Qty.	Description
22	323-9	2	Screw-HH
23	98-5975	12	Washer-Belleville
24	3290-357	15	Nut-HHF
25	323-6	1	Screw-HH
26	323-7	12	Screw-HH
27	3256-29	4	Washer-Flat
35		2	Front Frame Spring ASM
35:1	1-633096	1	Rod-Lift, Deck
35:2	1-633441	2	Swivel-Deck Mount, Rear
35:3	3217-11	4	Nut-Hex
35:4	3218-6	2	Nut-Jam
35:5	3256-7	2	Washer-Flat
35:6	1-633064	1	Spring-Support, Deck
36	107-1861	1	Decal-Height, Deck
37	107-1860	1	Decal-Height, Deck
38	3274-94	4	Screw-HSBH
40	106-8983-01	1	RH Deck Lift ASM
41	106-8984-01	1	LH Deck Lift ASM
42	1-523157	2	Washer-Spacer
43	32151-29	2	Ring-Retaining
44	3274-18	2	Screw-HSH
45	3218-2	2	Nut-Jam
46	1-513658	2	Bumper



### Caster and Wheel Assembly

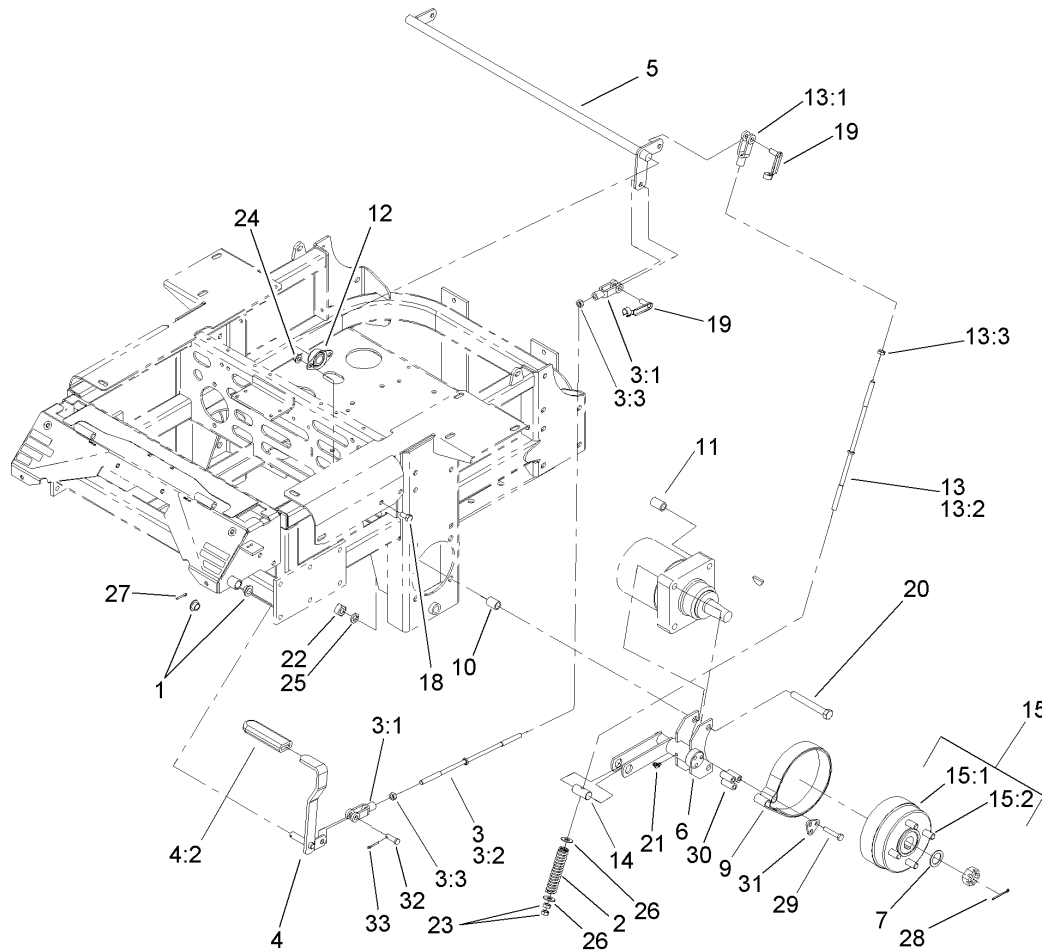
Ref	Part No.	Qty.	Description
1	103-4882	2	Cap-Grease
2	3296-51	2	Nut-Lock, NI
3	1-633508	6	Washer-Bellville
4	254-94	4	Bearing-Cone, Tapered
5	254-72	4	Bearing-Cup, Tapered
7	1-543511	2	Seal-Grease
8	103-1474-01	2	Fork-Caster
11	1-644251	2	Caster Wheel ASM
11:1	1-633580	2	Seal-Bearing
11:2	1-633581	2	Spacer-Bearing
11:3	1-633585	2	Bearing-Cone, Taper
11:4	1-633959	1	Spacer-Caster, Front
11:5		1	Wheel And Tire ASM
11:5:1	1-523009	1	Tire
11:5:2	1-633987	1	Wheel
11:5:3	1-633584	2	Bearing-Cup
21	325-39	2	Screw-HH
22	3296-45	2	Nut-Lock, NI

## Main Frame Assembly

Ref	Part No.	Qty.	Description
1	1-633964-03	1	Stop-Brake, Park
4	322-43	6	Screw-HH
5	323-6	2	Screw-HH
11	108-1095	1	Main Frame ASM
11:2	107-8076	1	Decal-Console, Top
12	1-633970	2	Wheel And Tire ASM
12:1	1-633993	1	Tire
12:2	1-633992	1	Wheel
12:3	232-27	1	Stem-Valve
13	107-1858	1	Floorpan
13:2	98-4387	1	Decal-Protection, Ear
13:3	107-1864	1	Decal-Location, Manual
15	242-50	8	Nut-Lug
21	3296-39	2	Nut-Lock, NI
24	1-513762	1	Clip-Loom
25	1-303335	1	Tie-Plastic
27	321-4	3	Screw-HH
28	32128-33	1	Nut-HF
44	3256-70	6	Washer-Flat
47	106-7498	1	Pocket
48	106-7488-03	1	Hinge-Floorpan, LH
49	106-7489-03	1	Hinge-Floorpan, RH
50	323-20	2	Screw-HH
51	3296-59	2	Nut-Lock, NI

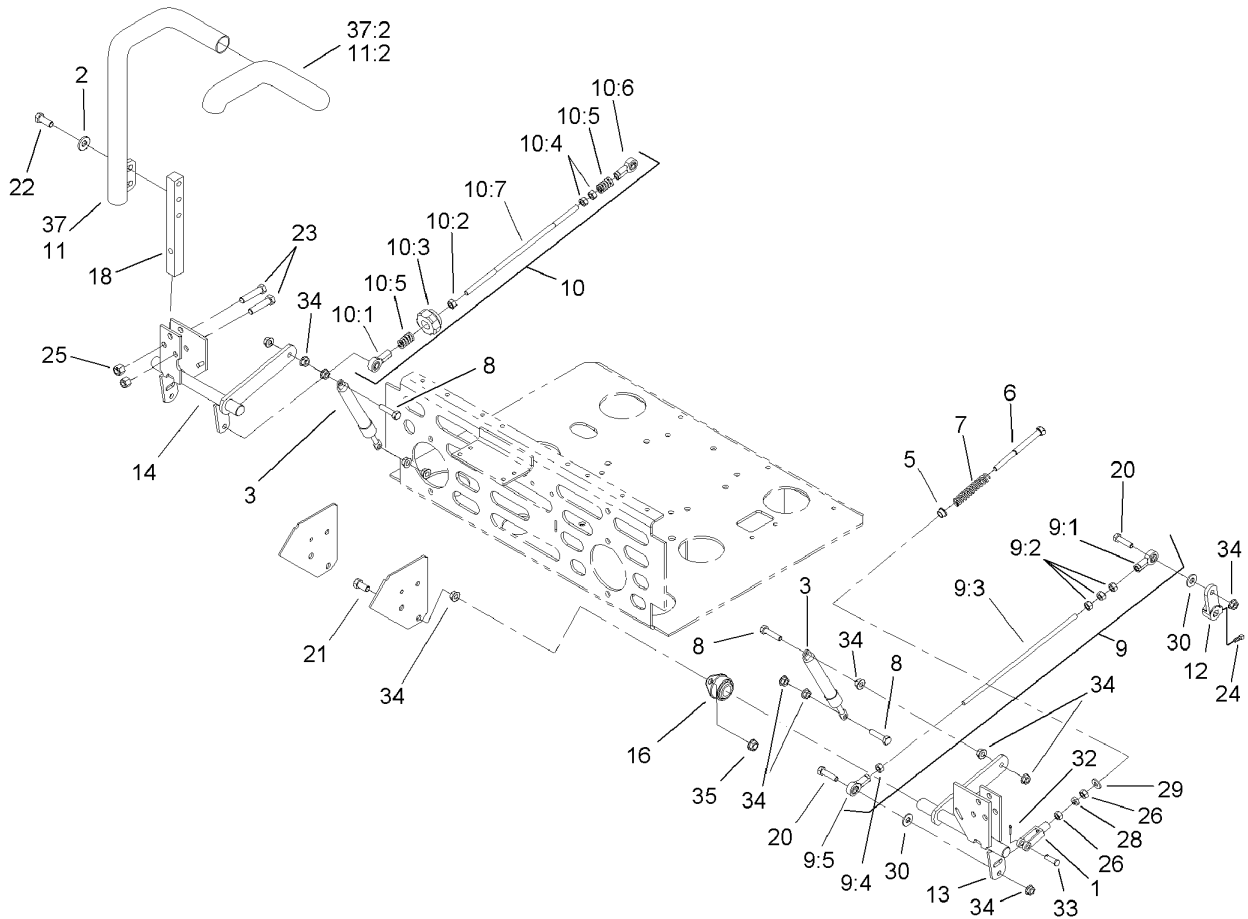
Ref	Part No.	Qty.	Description
52	3296-42	4	Nut-Lock, NI
53	3256-63	2	Washer-Flat
54	3258-166	2	Screw-PRH
55	106-9989	1	Decal-Warning
56	106-7492	1	Decal-Danger
57	107-1865	2	R-Clamp
58	104-7050	1	Housing-Manual
59	104-7048	1	Cap-Housing



## Brake and Wheel Hub Assembly

Ref	Part No.	Qty.	Description
1	1-513140	2	Bearing-Control
2	1-633454	2	Spring-Brake
3	103-4332	1	Brake Rod And Yoke ASM
3:1	1-633131	2	Yoke-Linkage, Brake
3:2	1-633477	1	Rod-Brake
3:3	3219-3	2	Nut-Hex
4	1-634500	1	Brake Lever ASM
4:2	1-633268	1	Grip-Lever, Brake
5	1-632217-03	1	Shaft-Brake
6	103-0352-03	2	Bracket-Brake
7	1-523157	2	Washer-Spacer
9	103-0355	2	Band-Brake
10	1-633380	4	Spacer-Wheel, Short
11	1-633382	4	Spacer-Wheel, Long
12	1-633102	2	Bearing-Flange, Side
13	103-4333	2	Brake Rod And Yoke ASM
13:1	1-633131	1	Yoke-Linkage, Brake
13:2	1-633477	1	Rod-Brake
13:3	3219-3	1	Nut-Hex
14	1-633144	2	Pin-Trunion
15	103-0590	2	Hub And Wheel ASM
15:1	103-0589	1	Wheel Hub ASM
15:2	1-633926	4	Stud-Wheel
18	323-4	4	Screw-HH

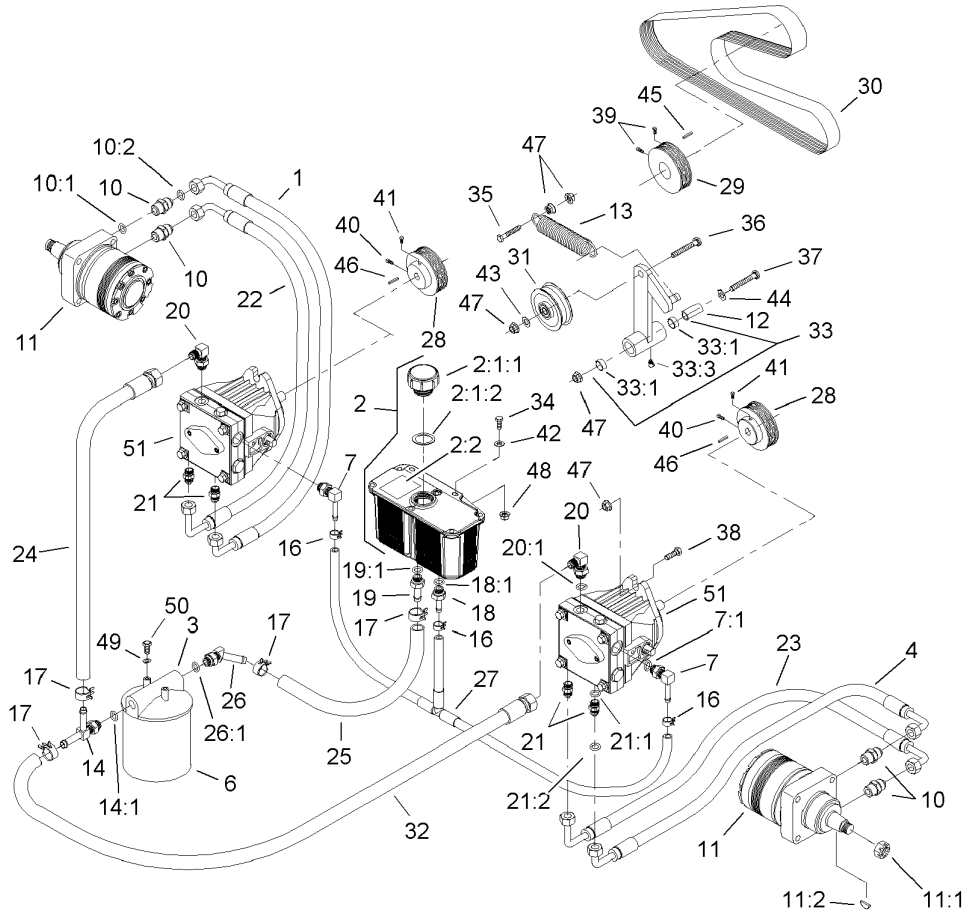
Ref	Part No.	Qty.	Description
19	103-2399	3	Pin-Spring, Clevis
20	325-17	8	Screw-HH
21	1481	2	Fitting-Grease
22	103-0131	8	Nut-Square
23	3219-3	4	Nut-Hex
24	3290-357	4	Nut-HHF
25	3253-7	8	Washer-Lock
26	3256-4	4	Washer-Flat
27	3272-10	1	Pin-Cotter
28	1-806800	2	Pin-Cotter
29	322-9	6	Screw-HH
30	103-0384	6	Spacer
31	103-0374	2	Retainer-Band, Brake
32	1-808285	1	Pin-Clevis
33	3272-10	1	Pin-Cotter



## Steering Control Assembly

Ref	Part No.	Qty.	Description
1	1-303105	2	Yoke-Adjustable
2	98-5975	4	Washer-Belleville
3	103-4079	2	Damper-Control, Motion
5	1-603735	2	Bushing-Flanged
6	1-603737	2	Bolt-Return, Neutral
7	1-603807	2	Spring-Return, Neutral
8	1-403180	4	Screw-HH
9	103-4331	1	Tracking Rod ASM
9:1	1-543017	1	Balljoint-RH
9:2	3219-2	3	Nut-Hex
9:3	103-3064	1	Link-Rod, Tracking
9:4	1-804524	1	Nut
9:5	1-633152	1	Balljoint-Thread, LH
10	103-4330	1	Tracking Rod ASM
10:1	1-543017	1	Balljoint-RH
10:2	3219-2	1	Nut-Hex
10:3	103-3060	1	Knob-Tracking
10:4	1-804524	2	Nut
10:5	1-323245	2	Spring-Compression
10:6	1-633152	1	Balljoint-Thread, LH
10:7	103-3064	1	Link-Rod, Tracking
11	106-9982	1	LH Lever ASM
11:2	106-9987	1	Grip-Control, Motion
12	1-632208	2	Arm-Control, Pump

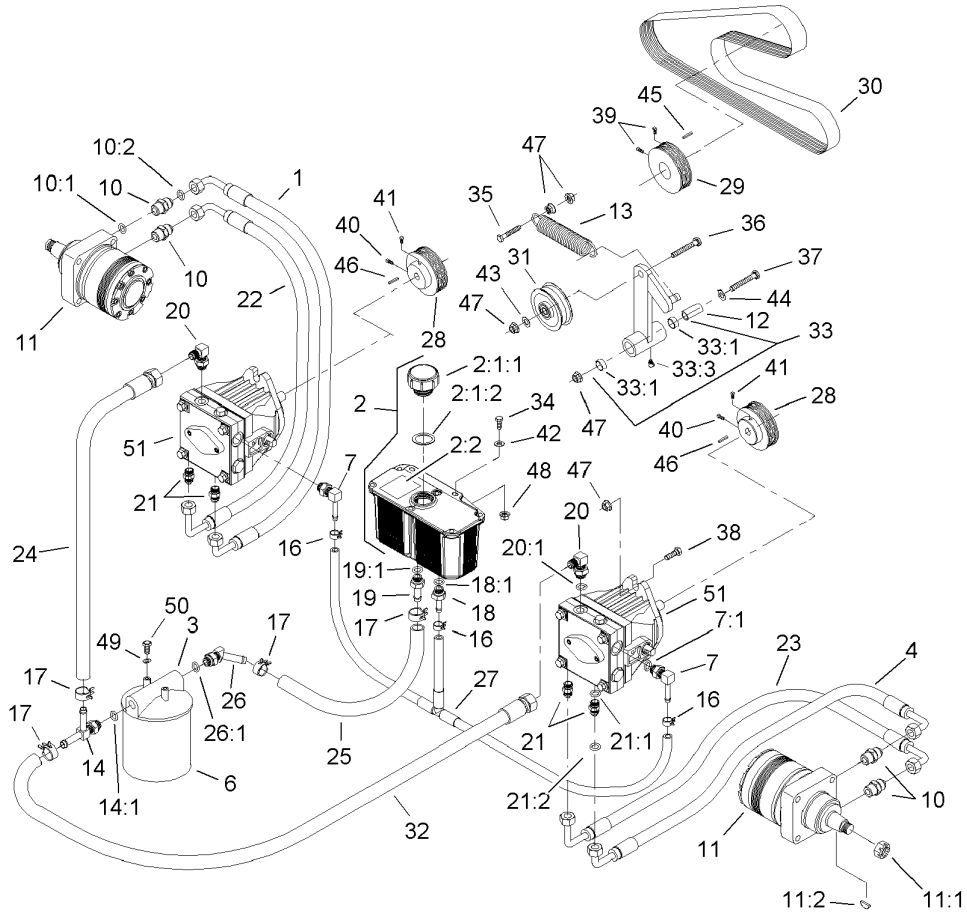
Ref	Part No.	Qty.	Description
13	103-4781	1	Control-Motion, LH
14	103-4782	1	Control-Motion, RH
16	1-633102	4	Bearing-Flange, Side
18	103-0407	2	Arm-Shaft, Control
20	322-6	4	Screw-HH
21	323-4	8	Screw-HH
22	323-6	4	Screw-HH
23	323-9	6	Screw-HH
24	1-803022	2	Screw-Set
25	3296-39	6	Nut-Lock, NI
26	3219-2	4	Nut-Hex
28	3220-2	2	Nut-Jam
29	3256-2	2	Washer-Flat
30	3256-3	4	Washer-Flat
32	3272-5	2	Pin-Cotter
33	1-808280	2	Pin-Clevis
34	32128-20	16	Nut-HF
35	3290-357	8	Nut-HHF
37	106-9983	1	RH Lever ASM
37:2	106-9987	1	Grip-Control, Motion



## Hydraulic System Assembly

Ref	Part No.	Qty.	Description
1	103-3736	1	HYD Hose ASM
2	103-1947	1	HYD Reservoir ASM
2:1		1	Reservoir-HYD
2:1:1	103-1948	1	Cap-Reservoir, HYD
2:1:2	103-1949	1	Gasket-Cap
2:2	1-523552	1	Decal-Tank, HYD
3	104-7836	1	Head-Filter
4	103-3733	1	HYD Hose ASM
6	1-633752	1	Filter-HYD, Winter
6	1-633750	1	Filter-HYD
7	103-1799	2	Elbow-90 DEG
7:1	237-42	1	O-Ring
10	1-603991	4	Fitting-Straight
10:1	237-80	1	O-Ring
10:2	1-603992	1	O-Ring
11	103-6988	2	Motor-Wheel
11:1	1-809036	1	Nut-HH
11:2	3257-42	1	Key-Woodruff
11:99	1-000139	1	Bearing Kit
11:99	1-000099	1	Seal Kit
11:99	103-2748	1	Drive Link Kit
12	1-603384	1	Bushing-Pivot, Idler
13	103-3330	1	Spring-Extension
14	103-1828	1	Adapter-Run, Tee

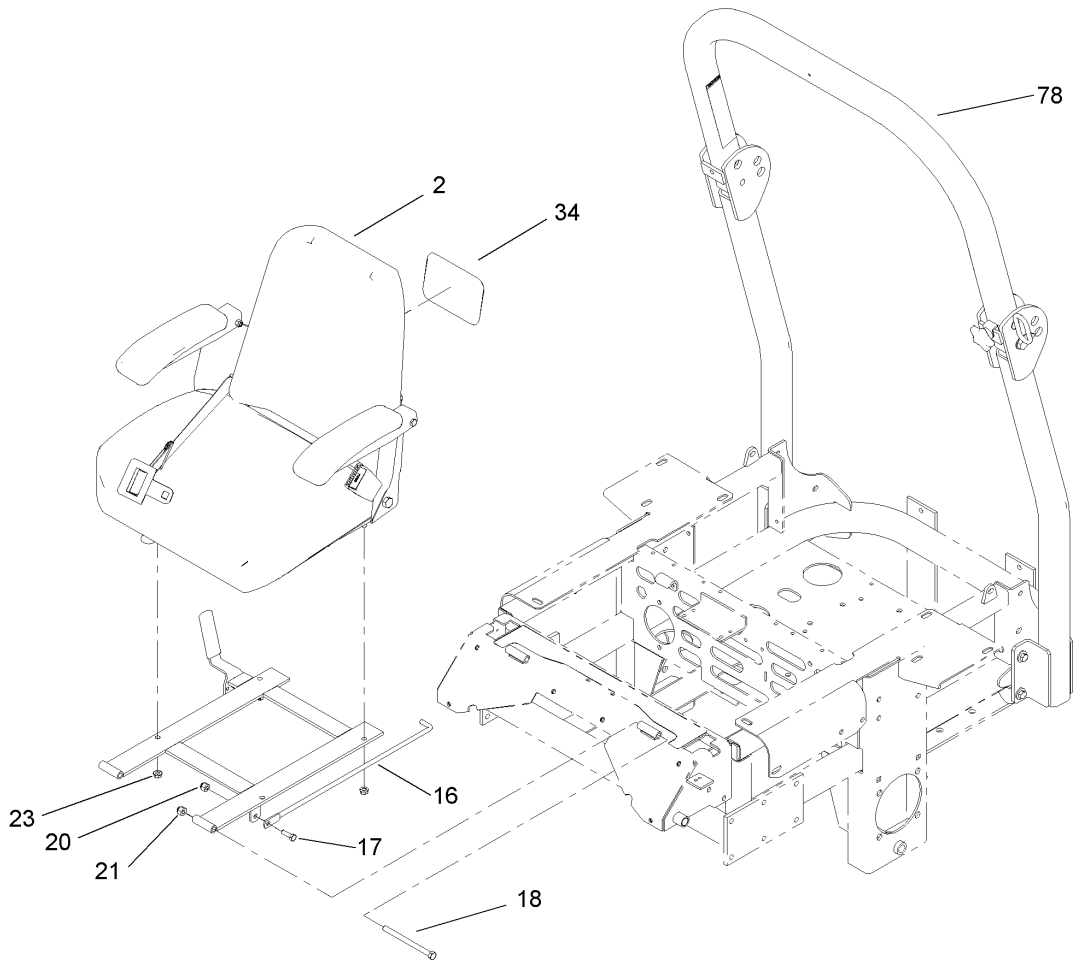
Ref	Part No.	Qty.	Description
14:1	237-42	1	O-Ring
16	103-1716	3	Clamp-Hose
17	103-1988	4	Clamp-Hose
18	103-1801	1	Adapter-Straight
18:1	237-42	1	O-Ring
19	103-1912	1	Adapter-Straight
19:1	237-42	1	O-Ring
20	103-1802	2	Fitting-HYD, 90 DEG
20:1	1-603921	1	O-Ring
21	1-603990	4	Fitting-Straight
21:1	1-603920	1	O-Ring
21:2	1-603992	1	O-Ring
22	103-3737	1	HYD Hose ASM
23	103-3735	1	HYD Hose ASM
24	103-1826	1	HYD Hose ASM
25	103-1808	1	Hose-HYD
26	103-1807	1	Elbow-45 DEG
26:1	237-42	1	O-Ring
27	103-1806	1	HYD Hose ASM
28	103-6907	2	Sheave
29	1-633567	1	Sheave
30	103-7445	1	Belt-V
31	1-633167	1	Sheave-Idler
32	103-1827	1	HYD Hose ASM



## Hydraulic System Assembly (continued)

Ref	Part No.	Qty.	Description
33	1-634277	1	Bearing Arm ASM
33:1	1-513034	2	Sleeve-Bearing
33:3	302-40	1	Fitting-Grease
34	321-6	2	Screw-HH
35	323-8	1	Screw-HH
36	323-9	1	Screw-HH
37	1-800805	1	Screw-HH
38	323-7	4	Screw-HH
39	1-803022	2	Screw-Set
40	30-1710	2	Screw
41	1-803050	2	Screw-Set
42	3256-22	2	Washer-Flat
43	3256-3	1	Washer-Flat
44	3256-4	1	Washer-Flat
45	13-2840	1	Key-Square
46	1-807272	2	Key
47	3290-357	8	Nut-HHF
48	32128-33	2	Nut-HF
49	1-805004	2	Washer-Lock
50	321-3	2	Screw-HH
51	103-7262	2	Pump-HYD
●51:1	103-7441	1	Bearing-Shaft, Input
●51:2	103-7443	1	Cylinder Block Kit
●51:3	103-8448	1	Thrust Bearing Kit

Ref	Part No.	Qty.	Description
●51:4	105-6184	1	Seal Kit
●51:5	103-2741	1	Shock Valve Kit

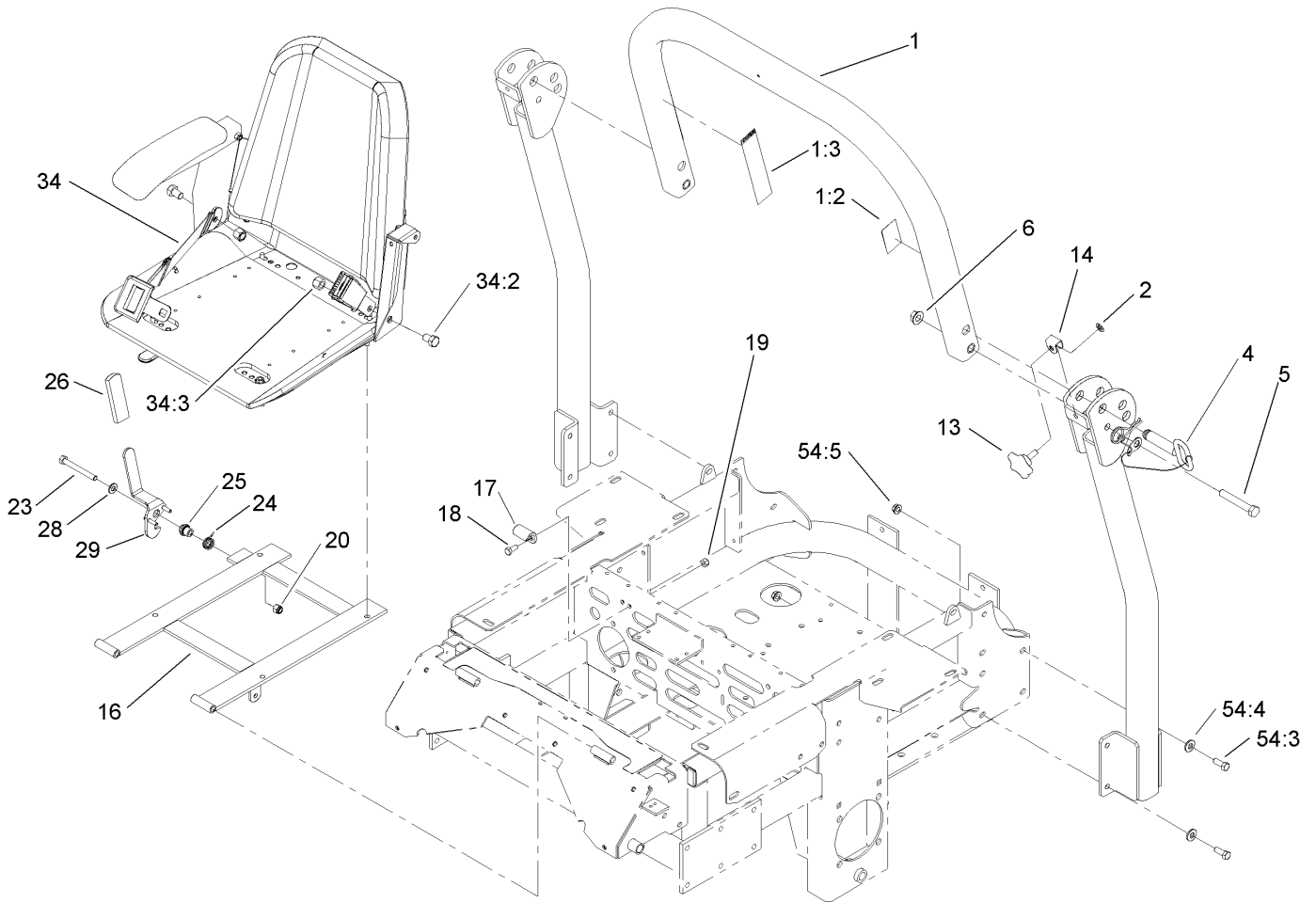


## Seat and Roll-Over-Protection-System Assembly

Ref	Part No.	Qty.	Description
2	107-1867	1	Seat ASM
16	1-633293	1	Rod-Holdup, Seat
17	322-5	1	Screw-HH
18	323-39	2	Screw-HH
20	3296-29	3	Nut-Lock, NI
21	3296-39	3	Nut-Lock, NI
23	32128-20	4	Nut-HF
34	99-4693	1	Decal
78	108-1097	1	ROPS ASM

--	--	--	--

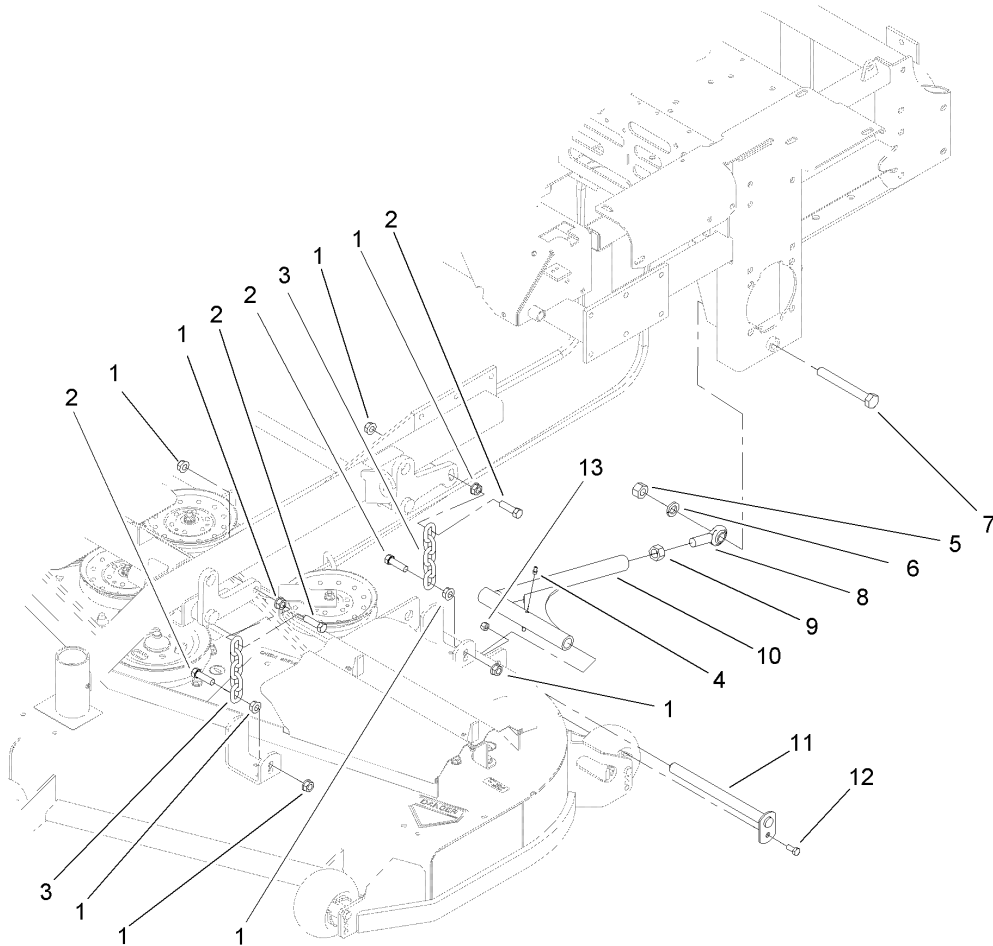




## Roll-Over-Protection-System Assembly No. 108-1097

Ref	Part No.	Qty.	Description
② 1		1	Upper Tube ASM
1:2	107-2101	1	Decal-ROPS
1:3	107-2102	1	Decal-Warning, Folding ROPS
2	107-3154	2	Nut-Push
4	103-4553	2	ROPS Fold Pin ASM
5	325-13	2	Screw-HH
6	32128-23	2	Nut-HF
13	106-0887	2	Knob
14	107-3124	2	Clip
16	107-3052-03	1	Seat Support Frame ASM
17	107-3058	1	Catch-Latch, Seat
18	322-3	2	Screw-HH
19	3296-29	2	Nut-Lock, NI
20	3296-39	1	Nut-Lock, NI
23	322-20	1	Screw-HH
24	107-0076	1	Spring-Torsion
25	107-0075	1	Bushing-Latch, Seat
26	62-9130	1	Grip-Handle
28	3256-24	1	Washer-Flat
29	107-3083	1	Latch ASM
34	103-4469	1	Seatbelt Kit
34:2	3212-4	2	Screw-HH
34:3	3296-38	2	Nut-Lock, NI
① ② 54		1	ROPS Bolt Bag

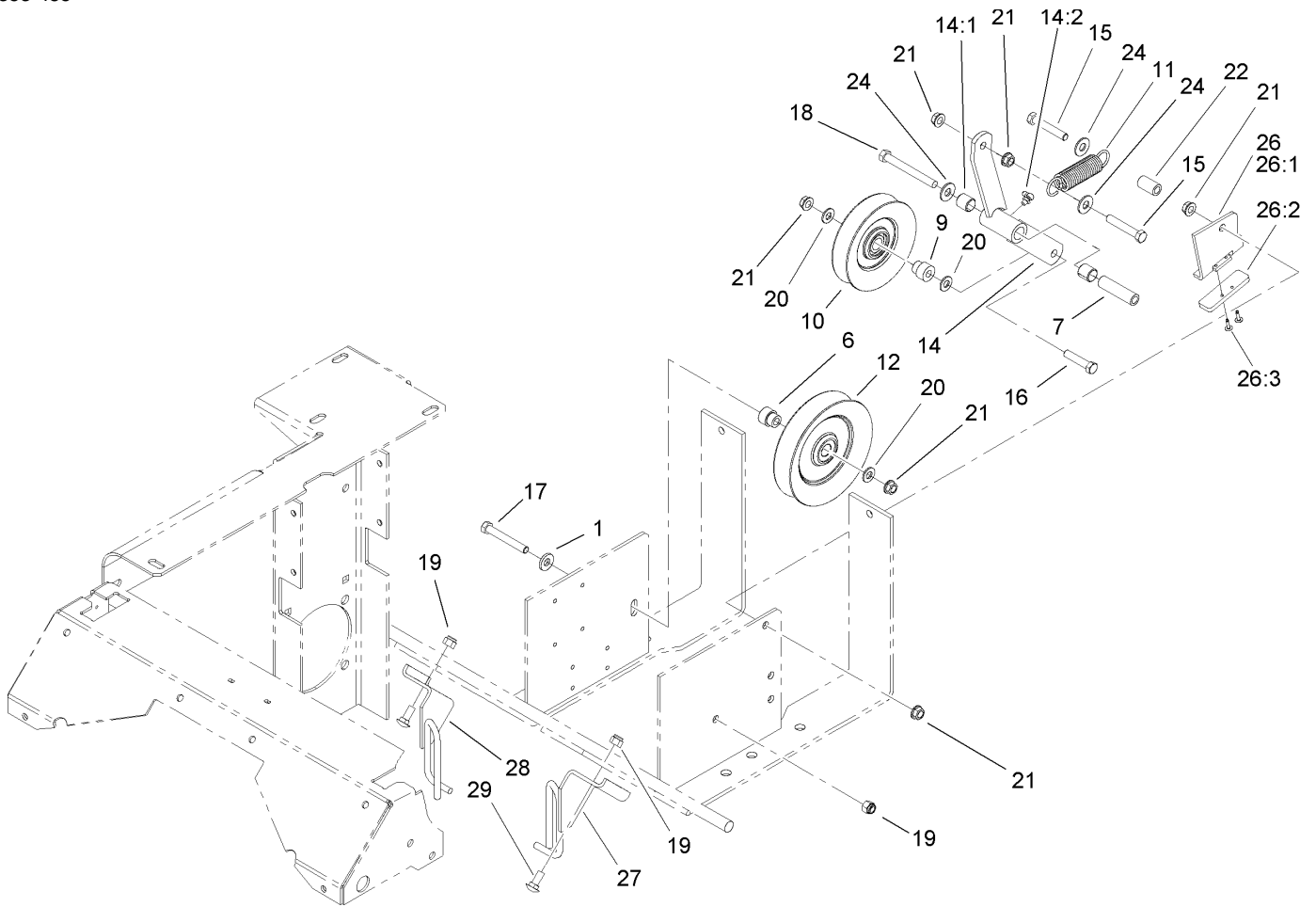
Ref	Part No.	Qty.	Description
54:3	323-6	8	Screw-HH
54:4	98-5975	8	Washer-Belleville
54:5	3290-357	8	Nut-HHF



## Deck Connection Assembly

Ref	Part No.	Qty.	Description
1	32128-37	16	Nut-HF
2	103-1898	8	Screw-HH
3	1-633447	4	Chain-Lift, Deck
4	302-19	4	Fitting-Grease
5	3217-11	2	Nut-Hex
6	3253-8	2	Washer-Lock
7	327-11	2	Screw-HH
8	1-633029	2	Balljoint-Spherical
9	3219-6	2	Nut-Hex
10	103-1072-01	2	Strut
11	1-632199-01	2	Pin-Strut
12	322-3	2	Screw-HH
13	3296-29	2	Nut-Lock, NI

--	--	--	--

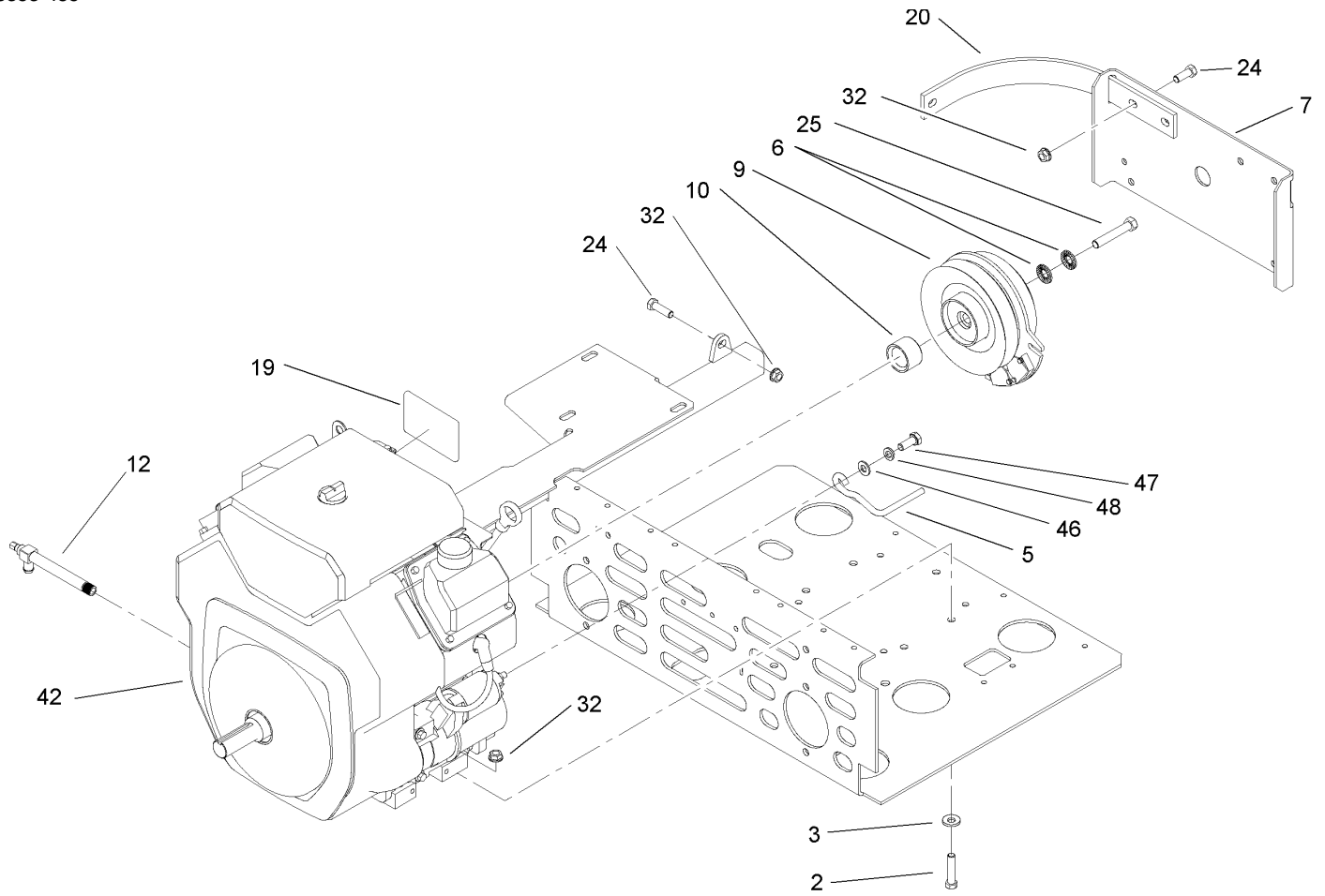


### Drive Idler Assembly

Ref	Part No.	Qty.	Description
1	98-5975	1	Washer-Belleville
6	103-2627	1	Bushing-Idler
7	1-603384	1	Bushing-Pivot, Idler
9	1-603496	1	Bushing-Idler
10	99-4638	1	Idler
11	1-603402	1	Spring-Extension
12	1-633166	1	Pulley-Idler
14	103-3147	1	Arm ASM
14:1	1-513034	2	Sleeve-Bearing
14:2	302-40	1	Fitting-Grease
15	323-12	2	Screw-HH
16	323-9	1	Screw-HH
17	323-13	1	Screw-HH
18	1-800805	1	Screw-HH
19	3296-39	3	Nut-Lock, NI
20	3256-24	3	Washer-Flat
21	3290-357	6	Nut-HHF
22	1-603401	1	Spacer-Fender
24	3256-4	3	Washer-Flat
26	106-3271	1	Travel Limiter ASM
26:1	106-3228-03	1	Plate-Limiter, Pulley
26:2	106-3229	1	Pad-Bumper
26:3	3269-24	2	Rivet
27	108-7204	1	Guide-Belt, LH

Ref	Part No.	Qty.	Description
28	108-7229	1	Guide-Belt, RH
29	3231-2	2	Screw-CARR

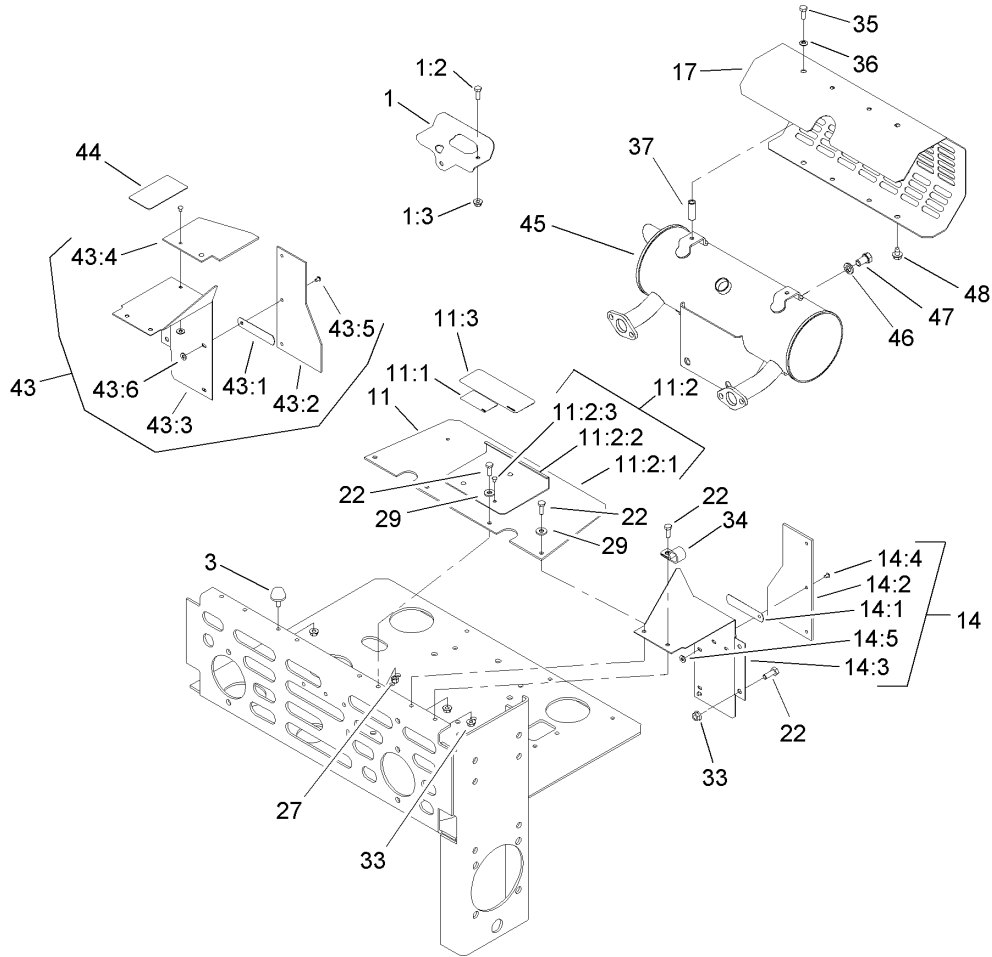




## Engine and Clutch Assembly

Ref	Part No.	Qty.	Description
2	323-9	4	Screw-HH
3	98-5975	4	Washer-Belleville
5	52-4780	1	Rod-Belt
6	1-603610	2	Washer-Spring
7	1-633615-03	1	Guard-Clutch
9	103-6579	1	Clutch
10	1-633179	1	Spacer-Clutch
12	103-1996	1	Valve-Oil Drain, Long
19	103-3270	1	Decal
20	103-7454-03	2	Strap-Guard
24	323-6	6	Screw-HH
25	3212-10	1	Screw-HH
32	3290-357	8	Nut-HHF
42		1	Engine-Kohler, Ch740-0054
46	3256-24	1	Washer-Flat
47	323-6	1	Screw-HH
48	98-5975	1	Washer-Belleville

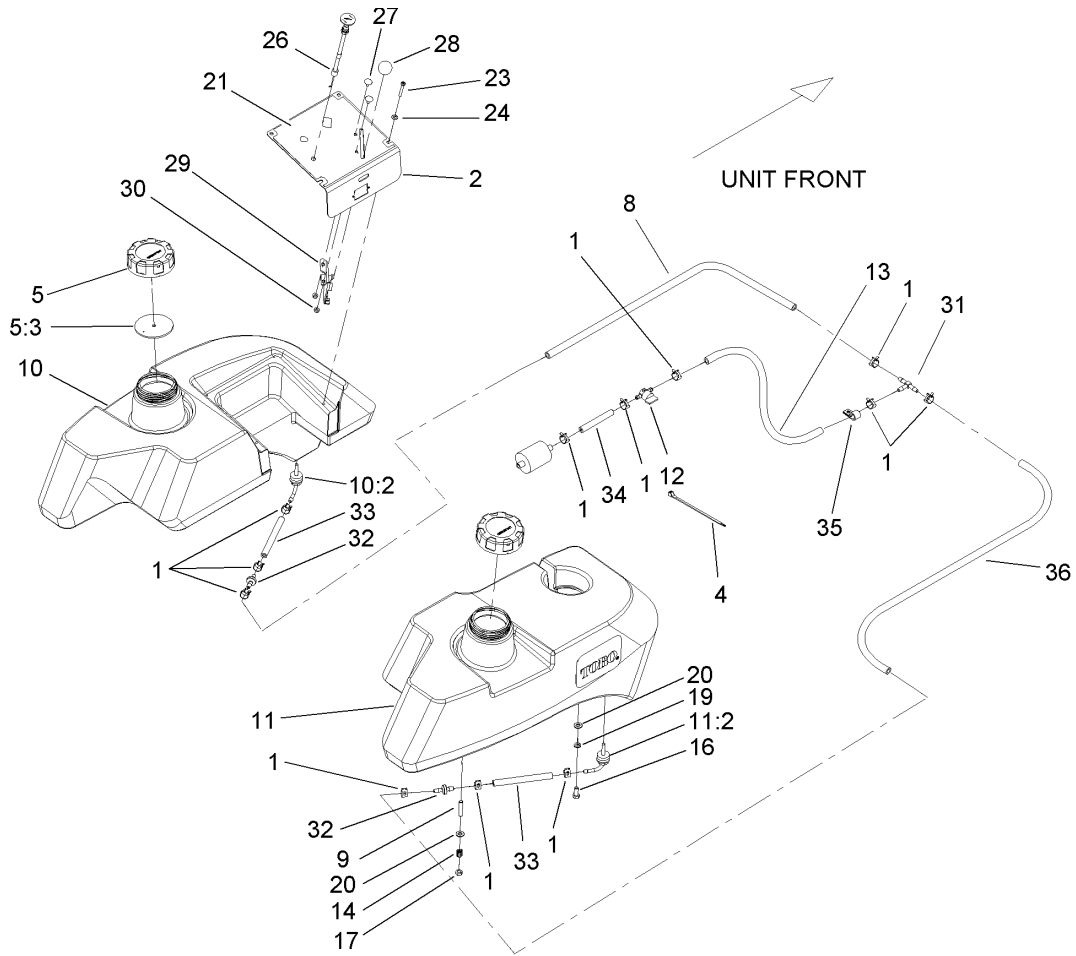
Ref	Part No.	Qty.	Description



## Muffler and Guard Assembly

Ref	Part No.	Qty.	Description
1	103-3535	1	Cable Heat Shield Kit
1:2	321-4	1	Screw-HH
1:3	32128-33	1	Nut-HF
3	1-523420	2	Bumper
11	1-644276	1	Shield ASM
11:1	1-633462	1	Decal-Important
11:2	1-634308	1	Shield/Lift ASM
11:2:1	103-1308	1	Shield-Engine
11:2:2	1-633300-03	1	Lift-Shield
11:2:3	1-803035	3	Rivet-Pop
11:3	103-5881	1	Decal-Devices, Rotating
14	1-634796	1	LH Shield ASM
14:1	1-523285	1	Clip-Baffle, Rear
14:2	1-633301	1	Shield-Engine
14:3	1-633795-03	1	Baffle-Engine Shield, LH
14:4	1-803035	3	Rivet-Pop
14:5	3256-63	3	Washer-Flat
17	1-643313-03	1	Guard-Muffler
22	321-4	10	Screw-HH
27	3296-42	4	Nut-Lock, NI
29	3256-2	4	Washer-Flat
33	32128-33	8	Nut-HF
34	1-633396	1	Clip-Loom
35	1-809108	2	Screw-HWH

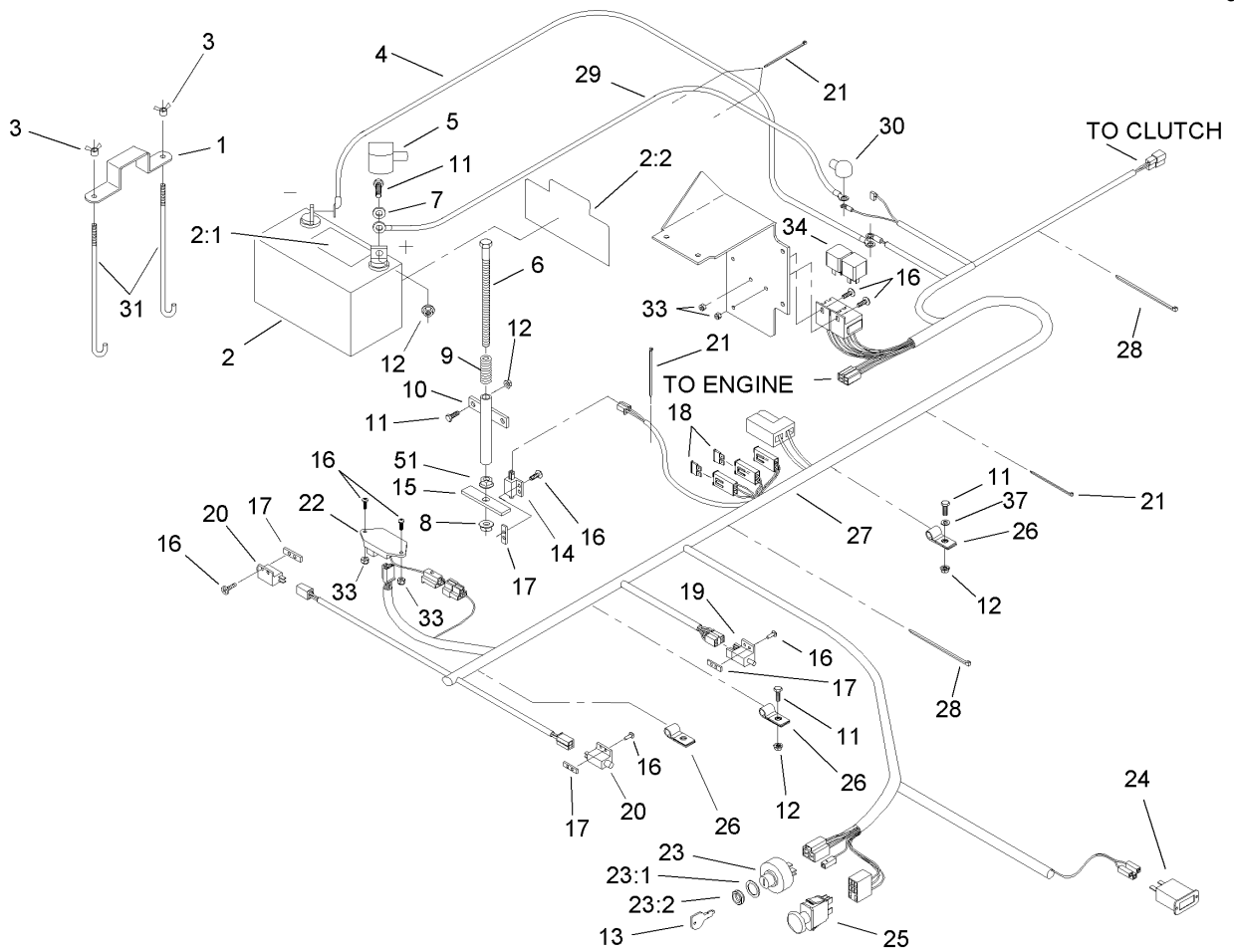
Ref	Part No.	Qty.	Description
36	1-323235	2	Washer-Spring
37	1-323236	2	Spacer
43	1-644316	1	RH Shield ASM
43:1	1-523285	1	Clip-Baffle, Rear
43:2	1-633301	1	Shield-Engine
43:3	1-633794-03	1	Shield-RH
43:4	1-643315	1	Baffle-Cooler, Engine
43:5	1-803035	5	Rivet-Pop
43:6	3256-63	5	Washer-Flat
44	1-643339	1	Decal-Routing, Belt
45	103-7482	1	Muffler
46	3253-6	2	Washer-Lock
47	324-2	2	Screw-HH
48	9266934	2	Screw



## Fuel Tank Assembly

Ref	Part No.	Qty.	Description
1	1-303077	13	Clamp
2	107-8079-03	1	Panel-Control
4	1-303335	4	Tie-Plastic
5	88-3980	2	Gas Cap ASM
5:3	88-4010	1	Gasket-Cap, Gas
8	94-7420	1	Hose-Fuel
9	1-633023	6	Stud
10	106-9980	1	LH Fuel Tank ASM
10:2	103-2605	1	Fitting-Fuel, Bulkhead
11	106-9979	1	RH Fuel Tank ASM
11:2	103-2605	1	Fitting-Fuel, Bulkhead
12	1-603770	1	Valve-Fuel
13	107-2119	1	Hose-Fuel
14	1-633349	6	Spring-Tank, Fuel
16	322-3	2	Screw-HH
17	3296-47	6	Nut-Lock, NI
19	1-805005	2	Washer-Lock
20	3256-23	8	Washer-Flat
21	106-9969	1	Decal-Panel, Control
23	1-803071	4	Screw
24	1-303435	4	Washer-Spring
26	106-9962	1	Control-Choke, Push / Pull
27	1-807513	2	Bolt-CARR
28	1-513592	1	Knob-Ball

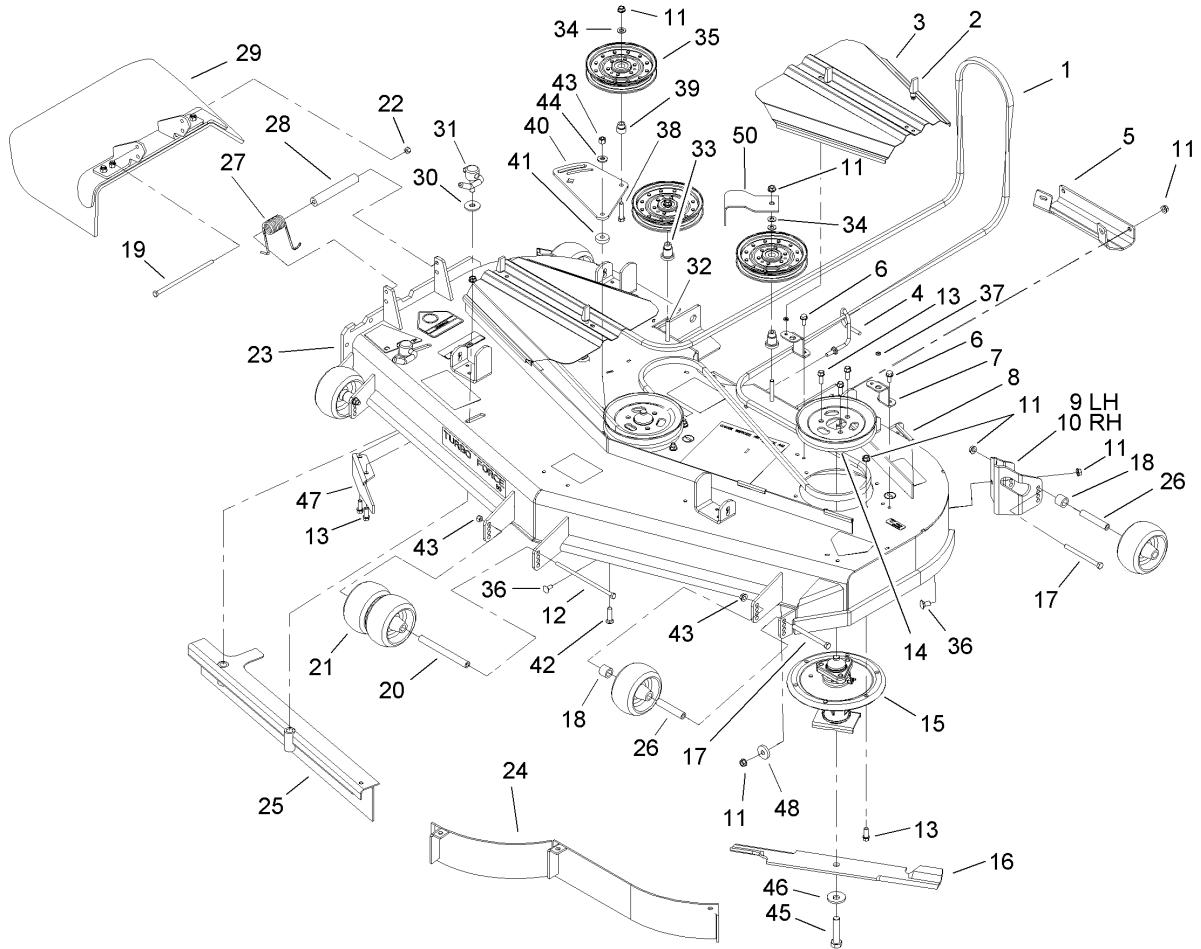
Ref	Part No.	Qty.	Description
29	107-8073	1	Cable-Throttle
30	3296-2	2	Nut-Lock
31	99-5005	1	Fitting-Tee, Barbed
32	99-5000	2	Valve-Check, Fuel
33	99-7190	2	Hose-Fuel
34	105-8342	1	Hose-Fuel
35	1-513762	1	Clip-Loom
36	1-543526	1	Hose-Fuel



## Electrical Assembly

Ref	Part No.	Qty.	Description
1	1-633652-03	1	Strap-Holddown
2	105-1692	1	Battery
2:1	104-4163	1	Decal-Battery
2:2	104-4164	1	Decal-Battery
3	1-543792	2	Wingnut
4	1-633307	1	Wire-Ground
5	1-543391	1	Insulator-Battery
6	1-800282	1	Screw-HH
7	3256-2	2	Washer-Flat
8	3296-29	1	Nut-Lock, NI
9	1-523415	1	Spring-Switch, Seat
10	1-522424-03	1	Mount-Spring, Seat
11	321-4	6	Screw-HH
12	32128-33	6	Nut-HF
13	63-8360	2	Key-Ignition
14	1-513152	1	Switch-Closed, Normally
15	1-513180	1	Plate-Switch, Seat
16	3290-500	12	Screw-PPH
17	1-633181	4	Plate-Tapped
18	1-816001	2	Fuse-Blade Type, 20 Amp
19	1-633111	1	Switch
20	1-513051	2	Switch-Open, Normally
21	1-303287	5	Tie-Plastic
22	100-6186	1	Module-Delay, Seat

Ref	Part No.	Qty.	Description
23	88-9830	1	Key Switch ASM
23:1	3254-5	1	Washer-Tooth
23:2	218-461	1	Nut-HH
24	1-513374	1	Meter-Hour
25	1-633673	1	Switch-Delta
26	1-633396	3	Clip-Loom
27	106-7497	1	Harness-Wire
28	1-303335	2	Tie-Plastic
29	1-523281	1	Wire-Starter
30	1-543393	1	Insulator-Solenoid
31	1-633651	2	Bolt-Holddown
33	3296-2	4	Nut-Lock
34	1-643275	2	Relay
37	3256-22	1	Washer-Flat
51	3217-6	1	Nut-Hex

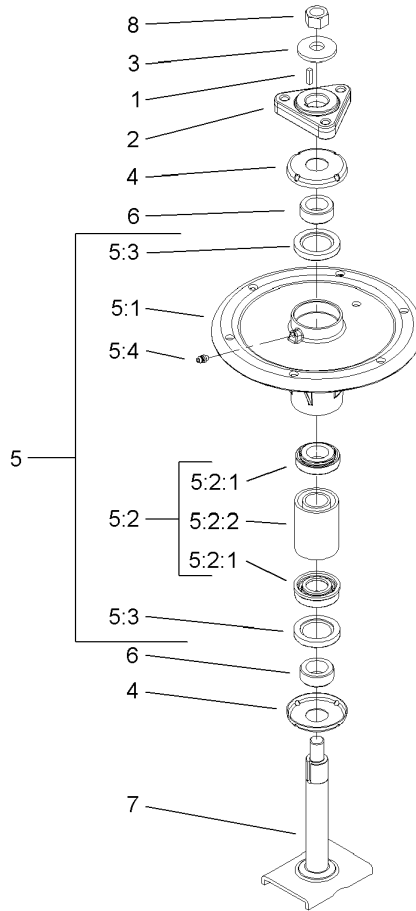


### 60in Deck Assembly

Ref	Part No.	Qty.	Description
1	105-8783	1	Belt
2	74-5950	4	Latch-Swell
3	105-8786-01	2	Cover-Belt
4	106-3220	1	Guide-Belt
5	105-8792-01	1	Plate-Skid
6	32144-70	4	Screw-HH
7	105-8787-01	4	Bracket-Cover
8	105-7699	8	Strip-Seal
9	106-7354-01	1	Plate-Roller, LH
10	106-7355-01	1	Plate-Roller, RH
11	3290-357	38	Nut-HHF
12	323-28	1	Screw-HH
13	92-1624	33	Screw
14	105-7734	3	Pulley
15	106-3217	3	Spindle ASM
16	105-7718-03	3	Blade-Hi Flow
17	323-23	4	Screw-HH
18	98-7913	4	Tube-Spacer
19	322-50	1	Screw-HH
20	98-5967	1	Spacer-Wheel
21	1-603299	6	Roller-Scalp, Anti
22	3296-29	1	Nut-Lock, NI
23	107-1624	1	Deck ASM
24	105-7657-01	1	Baffle ASM

Ref	Part No.	Qty.	Description
25	105-7669-01	1	Baffle ASM
26	98-7912	4	Tube-Spanner
27	104-8554	1	Spring-Torsion
28	105-4622	1	Spacer
29	106-3249	1	Rubber Deflector ASM
30	105-7697	2	Washer-Plastic
31	106-3242	2	Lever ASM
32	323-12	2	Screw-HH
33	106-3214	2	Mount-Pulley
34	3256-24	3	Washer-Flat
35	1-633109	3	Idler-Flat
36	3231-1	10	Screw-CARR
37	99-3058	4	Washer
38	323-9	1	Screw-HH
39	1-603496	1	Bushing-Idler
40	105-7787-01	1	Plate-Idler
41	105-7788	2	Spacer
42	3231-4	2	Screw-CARR
43	3296-39	7	Nut-Lock, NI
44	98-5975	1	Washer-Belleville
45	103-0862	3	Screw-Cap
46	103-0865	3	Washer-Blade Bolt, Heavy
47	106-3216-01	1	Baffle-Discharge
48	112843	1	Washer

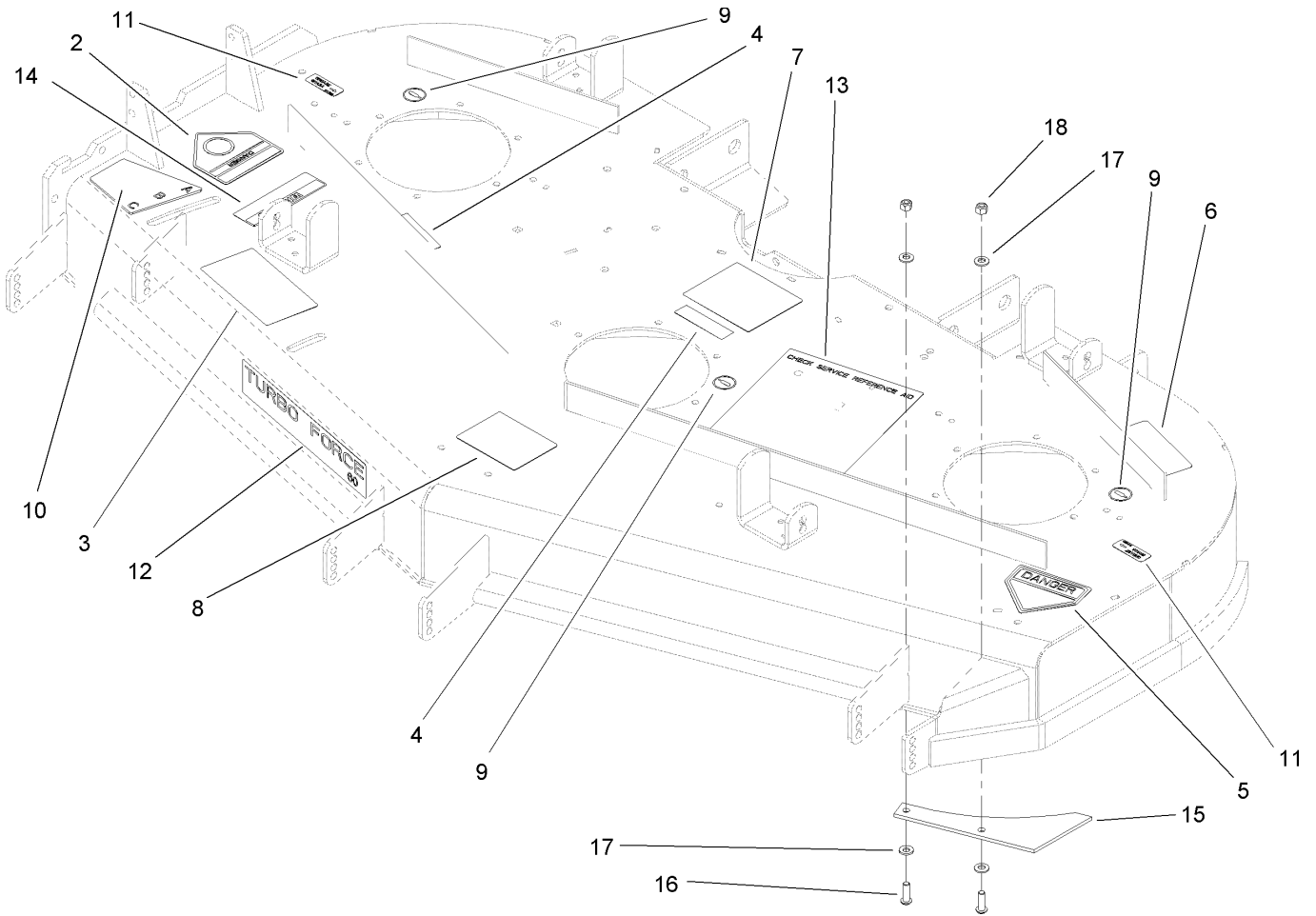




## Spindle Assembly No. 106-3217

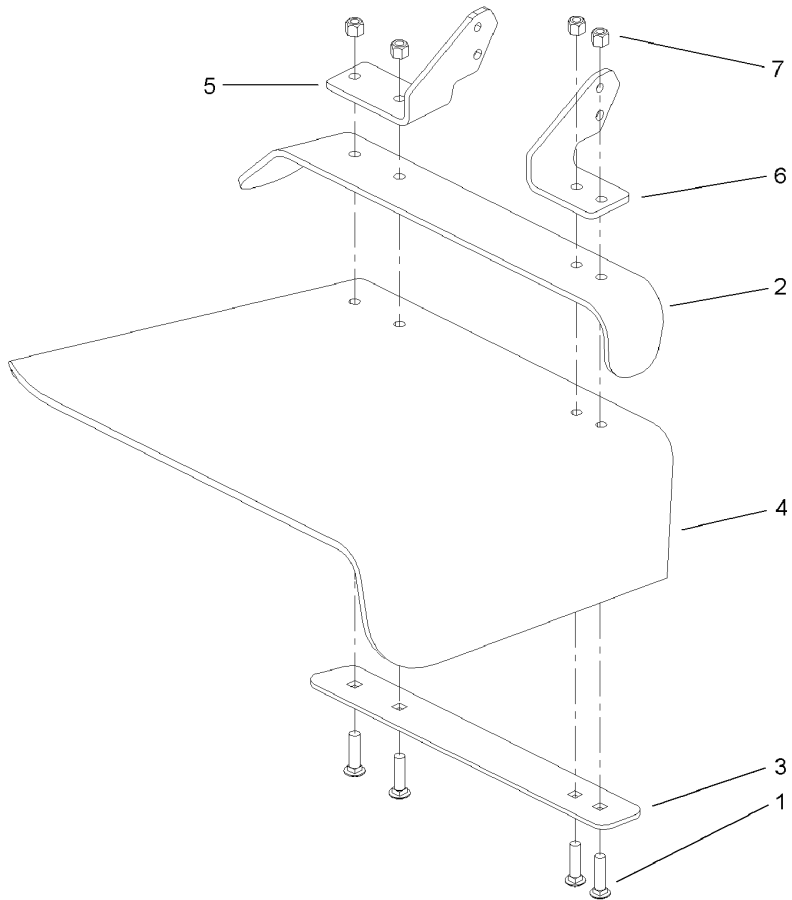
Ref	Part No.	Qty.	Description
1	10-8040	1	Key-Square
2	106-3277	1	Hub-Pulley
3	103-0865	1	Washer-Blade Bolt, Heavy
4	106-3204	2	Shield-Bearing
5		1	Spindle Bearing ASM
5:1	106-3211	1	Housing-Spindle
5:2	106-3207	1	Bearing ASM
5:2:1	27-0960	1	Bearing ASM
5:2:2	106-3206	1	Spacer-Set, Matched
5:3	253-133	2	Seal-Oil
5:4	302-5	1	Fitting-Grease
6	106-3218	2	Spacer-Seal
7	106-3233	1	Spindle Shaft ASM
8	3219-6	1	Nut-Hex

--	--	--	--



## Deck Decal Assembly No. 107-1624

Ref	Part No.	Qty.	Description
2	54-9220	1	Decal-Danger
3	66-1340	1	Decal-Danger
4	98-5954	3	Decal-Missing, Cover
5	43-8480	1	Decal-Danger
6	68-8340	1	Decal-Torque
7	105-7797	1	Decal-Routing, Belt
8	105-7798	1	Decal-Scalp, Anti
9	58-6520	3	Decal-Grease
10	107-1622	1	Decal-Adjustment, Baffle
11	107-1613	2	Decal-Grease
12	107-1619	1	Decal
13	107-1621	1	Decal-Service, Check
14	104-8569	1	Decal-Warning
15	107-3137	1	Plate-Turbo
16	3274-104	2	Screw-HSBH
17	1-303334	4	Washer-Spring
18	3296-29	2	Nut-Lock, NI



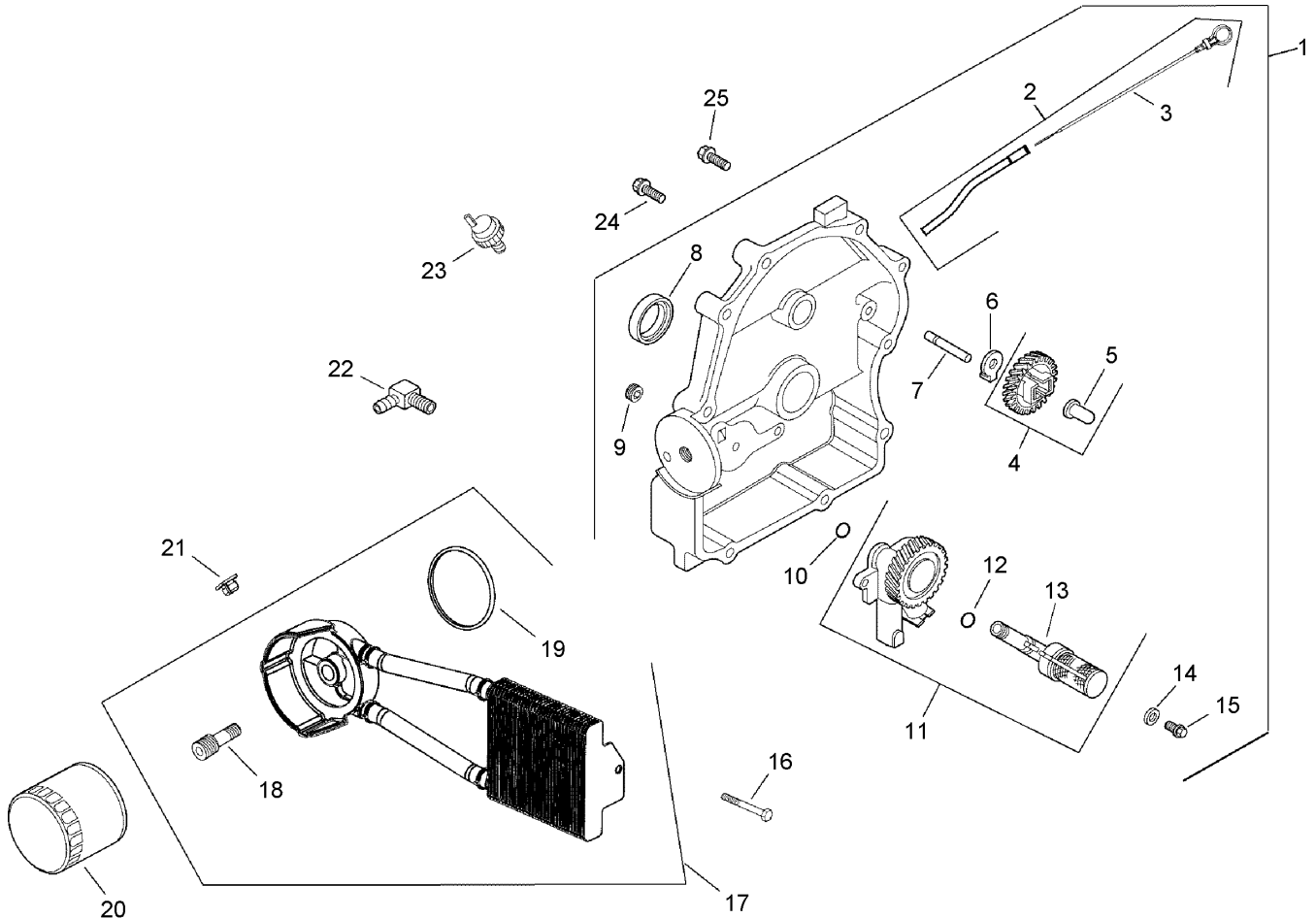
### Rubber Deflector Assembly No. 106-3249

Ref	Part No.	Qty.	Description
1	3231-4	4	Screw-CARR
2	106-3246-01	1	Deflector
3	106-3248-03	1	Strap-Discharge
4	107-1617	1	Deflector-Rubber
5	106-3252-01	1	Plate-Hinge, Rear
6	106-3253-01	1	Plate-Hinge, Front
7	3296-39	4	Nut-Lock, NI

--	--	--	--



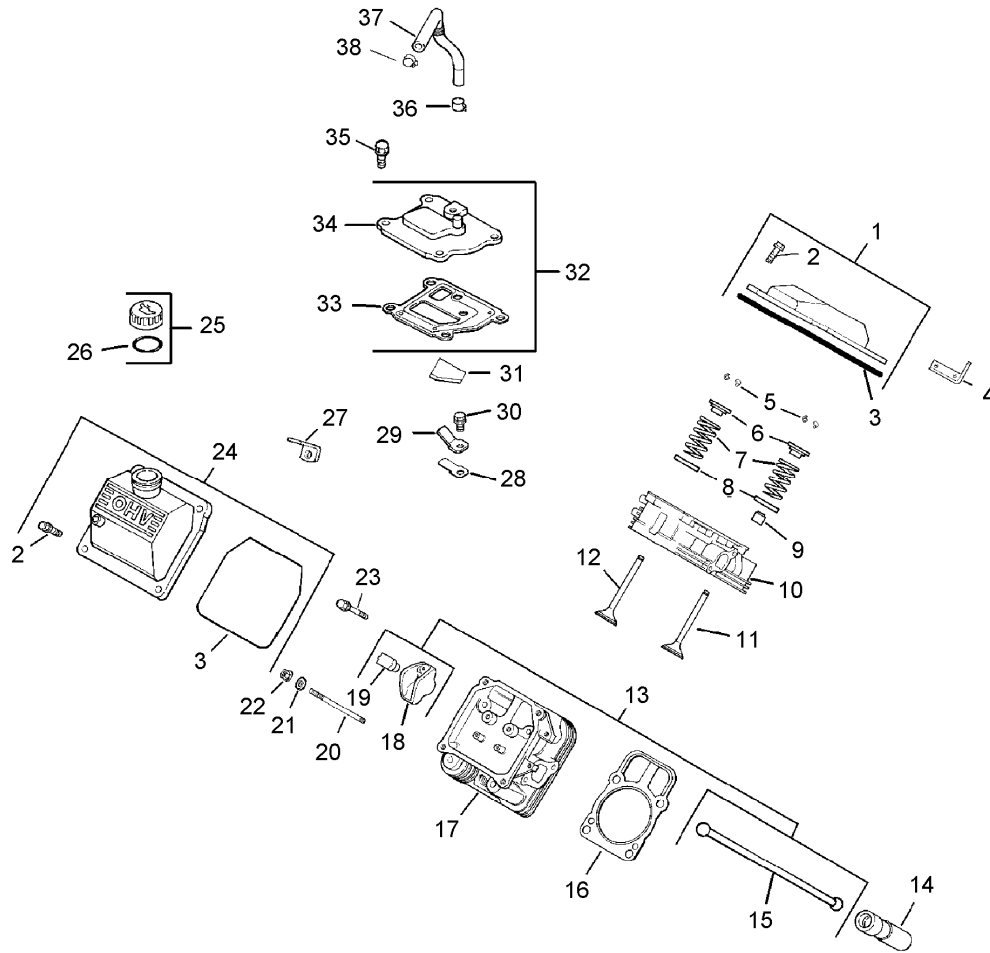




## Oil Pan / Lubrication Assembly Kohler CH740-0054

Ref	Part No.	Qty.	Description
❶	24 009 83-S	1	Closure Plate Kit
❷	24 755 121-S	1	Dipstick Tube ASM
❸	24 038 10-S	1	Dipstick
❹	24 043 12-S	1	Governor Gear Kit
❺	12 380 01-S	1	Pin-Regulating, Governor
❻	24 448 02-S	1	Tab-Locking
❼	12 144 02-S	1	Shaft-Gear, Governor
❽	52 032 08-S	1	Seal-Oil (PTO End)
❾	25 139 60-S	1	Plug-Pipe, 1/8In Allen Head
❿	24 153 08-S	1	O-Ring
⓫	24 393 37-S	1	Oil Pump ASM (Incl. Ref. #12 And 13)
⓬	24 153 01-S	1	O-Ring (Oil Pick Up)
⓭	24 381 04-S	1	Pick Up-Oil
⓮	M-631005-S	2	Washer-Plain (6Mm)
⓯	M-645025-S	2	Screw-HF (M6X1.0X25)
⓰	25 086 49-S	2	Screw-Tapping 1/4-1X3/4"
⓱	54 755 21-S	1	Alum Base Oil Cooler Kit (Incl. Ref. #16-18, 20 And 22)
⓲	28 136 01-S	1	Nipple-Filter, Oil
⓳	24 153 13-S	1	O-Ring
⓴	52 050 02-S	1	Filter-Oil
⓵	24 100 01-S	2	Nut-Plastic
⓶	25 155 02-S	1	Connector

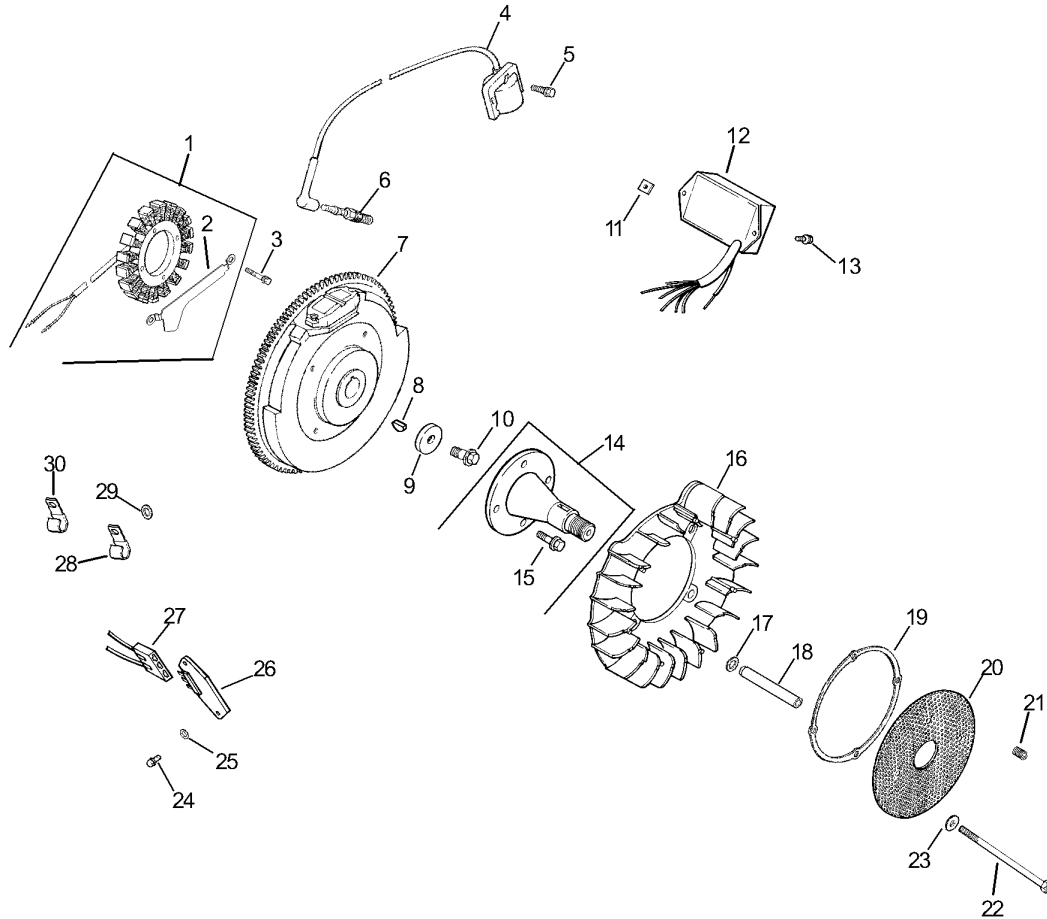
Ref	Part No.	Qty.	Description
⓷	24 099 03-S	1	Switch-Pressure
⓸	24 086 16-S	9	Screw-HF (M8X1.25X45)
⓹	24 086 17-S	1	Screw-HF (M8X1.25X45)
⓺	24 113 25-S	1	Decal-Cooler, Oil



## Head / Valve / Breather Assembly Kohler CH740-0054

Ref	Part No.	Qty.	Description
❶	24 755 141-S	1	Plain Valve Cover Kit (Incl. Ref. #2-3)
❷	M-651030-S	4	Screw-HF (M6X1.0X30)
❸	24 153 28-S	1	O-Ring (Valve Cover)
❹	24 445 01-S	1	Strap-Lifting
❺	12 755 03-S	4	Retainer Kit
❻	12 173 01-S	4	Cap-Spring, Valve
❼	24 089 02-S	4	Spring-Valve
❽	235011-S	4	Retainer-Spring
❾	66 032 05-S	2	Seal-Stem, Valve
❿	24 318 65-S	1	Head ASM
⓫	24 017 01-S	2	Valve-Intake (STD.)
⓫	24 017 02-S	2	Valve-Intake (.25)
⓬	24 016 01-S	2	Valve-Exhaust (STD.)
⓬	24 016 02-S	2	Valve-Exhaust (.25)
⓭	24 755 66-S	1	Valve Train Kit
⓮	25 351 01-S	4	Lifter-Valve
⓯	24 411 05-S	4	Rod-Push
⓰	24 841 03-S	1	Cylinder Head Gasket Kit
⓱	24 318 66-S	1	Head ASM
⓲	25 186 01-S	4	Arm-Rocker
⓳	24 599 01-S	4	Pivot-Arm, Rocker
⓴	24 072 09-S	8	Stud-Head, Cylinder
⓴	24 468 16-S	8	Washer

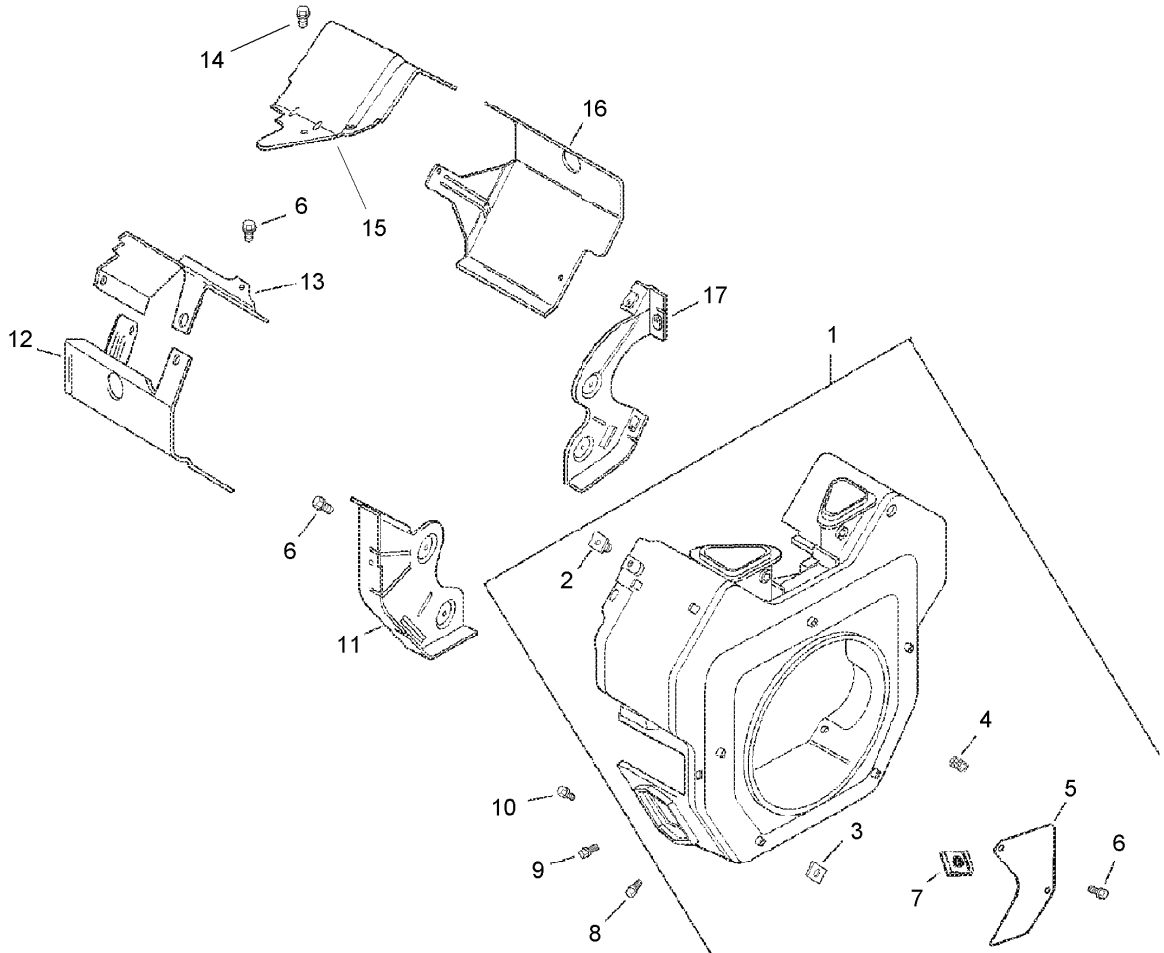
Ref	Part No.	Qty.	Description
⓲⓲	24 100 10-S	8	Nut-HF (M8X1.25)
⓲⓳	66 086 07-S	4	Screw
⓲⓴	24 755 140-S	1	Oil Fill Valve Cover Kit (Incl. Ref. #2-3)
⓲⓵	24 755 13-S	1	Kit-Cap, Oil Fill
⓲⓶	25 153 02-S	1	O-Ring
⓲⓷	12 445 05-S	1	Strap-Lifting
⓲⓸	24 402 03-S	1	Reed-Breather
⓲⓹	66 018 04-S	1	Retainer-Reed, Breather
⓲⓺	M-545010-S	1	Screw-HF (M5X0.8X10)
⓲⓻	24 050 01-S	1	Filter-Breather
⓲⓼	24 033 01-S	1	Breather Kit
⓲⓽	24 041 51-S	1	Gasket-Breather
⓲⓾	24 096 86-S	1	Cover-Breather
⓲⓿	M-645020-S	4	Screw-HF (M6X1.0X20)
⓳Ⓚ	25 237 08-S	2	Clamp-Hose
⓳Ⓛ	24 326 69-S	1	Hose-Breather
⓳Ⓜ	25 237 14-S	1	Clamp
⓳Ⓨ	24 755 147-S	1	Cylinder Head Hardware Kit



## Ignition Electrical Assembly Kohler CH740-0054

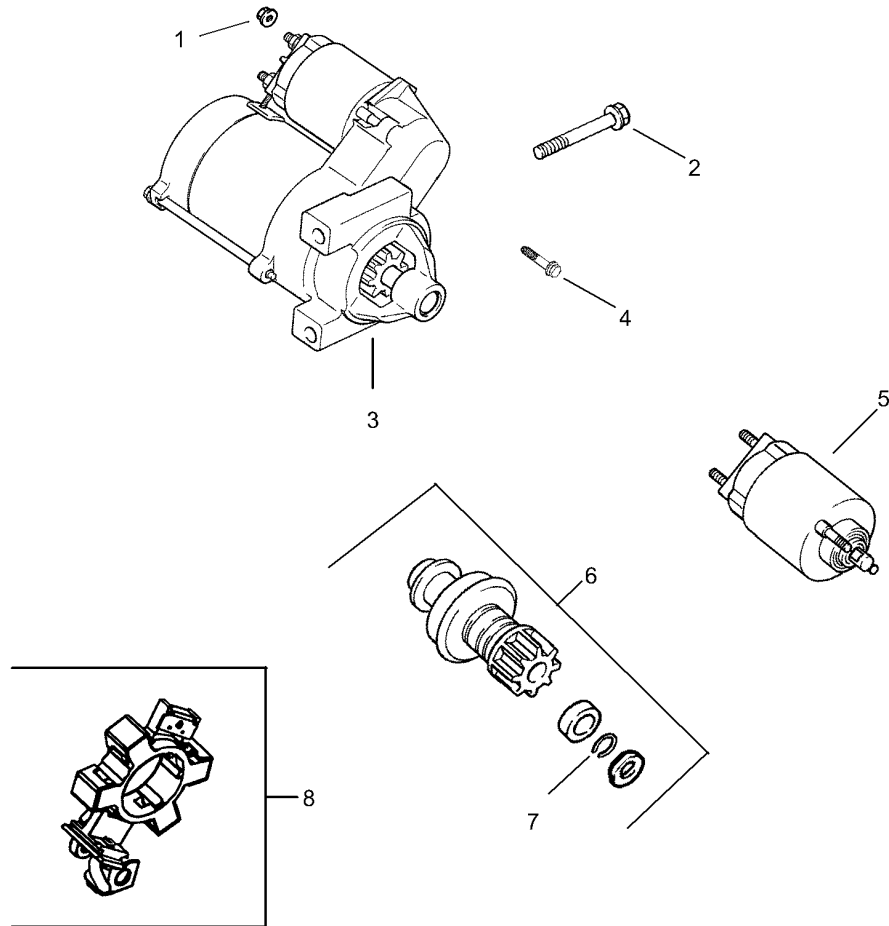
Ref	Part No.	Qty.	Description
❶	54 755 09-S	1	15 Amp Stator Kit (Incl. Ref. #2)
❷	24 126 139-S	1	Bracket-Wire, Stator
❸	M-548025-S	2	Screw (M5X0.8X25)
❹	24 584 36-S	2	Module-Ignition
❺	M-545020-S	4	Screw-HF (M5X0.8X20)
❻	12 132 06-S	2	Spark Plug
❼	24 025 15-S	1	Flywheel
❽	X-42-15-S	1	Key
❾	12 468 03-S	1	Washer-Plain (3/8In)
❿	12 086 14-S	1	Screw-HF (M10X1.5X46)
⓫	24 100 02-S	2	Nut-Plastic
⓬	24 584 27-S	1	Module-Spark Advance
⓭	24 086 41-S	2	Screw
⓮	24 755 08-S	1	Front Drive Shaft Kit (Incl. Ref. #13)
⓯	M-839025-S	4	Screw-HF (M8X1.25X25)
⓰	24 157 07-S	1	Fan
⓱	24 468 11-S	4	Washer-Spring
⓲	24 112 14-S	4	Spacer
⓳	24 141 06-S	1	Ring-Support
⓴	24 162 22-S	1	Screen-Grass
⓵	25 086 43-S	1	Screw-Set
⓶	M-603100-S	4	Screw-Hex. Hd., M6X1.0X100
⓷	X-25-53-S	4	Washer-Plain, 1/4In

Ref	Part No.	Qty.	Description
❶	24 086 18-S	2	Screw-Head, Phillips
❷	X-25-92-S	2	Washer-Plain
❸	41 403 09-S	1	Rectifier-Regulator
❹	236602-S	1	Connector
❺	47 154 01-S	1	Clip-Cable
❻	X-25-63-S	1	Washer-Plain (1/4In)
❼	48 154 02-S	1	Clip-Cable
❽	25 468 07-S	1	Washer
❾	24 176 98-S	1	Harness-Wiring
❿	25 454 03-S	2	Tie-Cable
⓫	24 126 137-S	1	Bracket-Strap, Ground



## Blower Housing Assembly Kohler CH740-0054

Ref	Part No.	Qty.	Description
❶	24 027 201-S	1	Housing-Blower (Incl. Ref. #2-7)
❷	24 100 01-S	1	Nut-Plastic
❸	24 100 02-S	2	Nut-Plastic
❹	25 086 43-S	1	Screw-Set
❺	24 755 21-S	1	Access Cover Kit
❻	M-645016-S	10	Screw-HF (M6X1.0X16)
❼	25 154 02-S	4	Clip
❽	M-551016-S	1	Screw-HF (M5X0.8X16)
❾	M-545016-S	2	Screw-HF (M5X0.8X16)
❿	M-545020-S	4	Screw-HF (M5X0.8X20)
⓫	24 146 19-S	1	Plate-Backing (No. 2 Side)
⓬	24 063 39-S	1	Baffle-Barrel, Cylinder (No. 2 Side)
⓭	24 063 17-S	1	Baffle-Valley (No. 2 Side)
⓮	M-545010-S	2	Screw-HF (M5X0.8X10)
⓯	24 063 59-S	1	Baffle-Valley (No. 1 Side)
⓰	24 063 58-S	1	Baffle-Barrel, Cylinder (No. 1 Side)
⓱	24 146 20-S	1	Plate-Backing (No. 1 Side)
⓲	24 113 124-S	1	Decal-27 Hp
⓳	25 113 39-S	1	Decal-Lamination, Clear

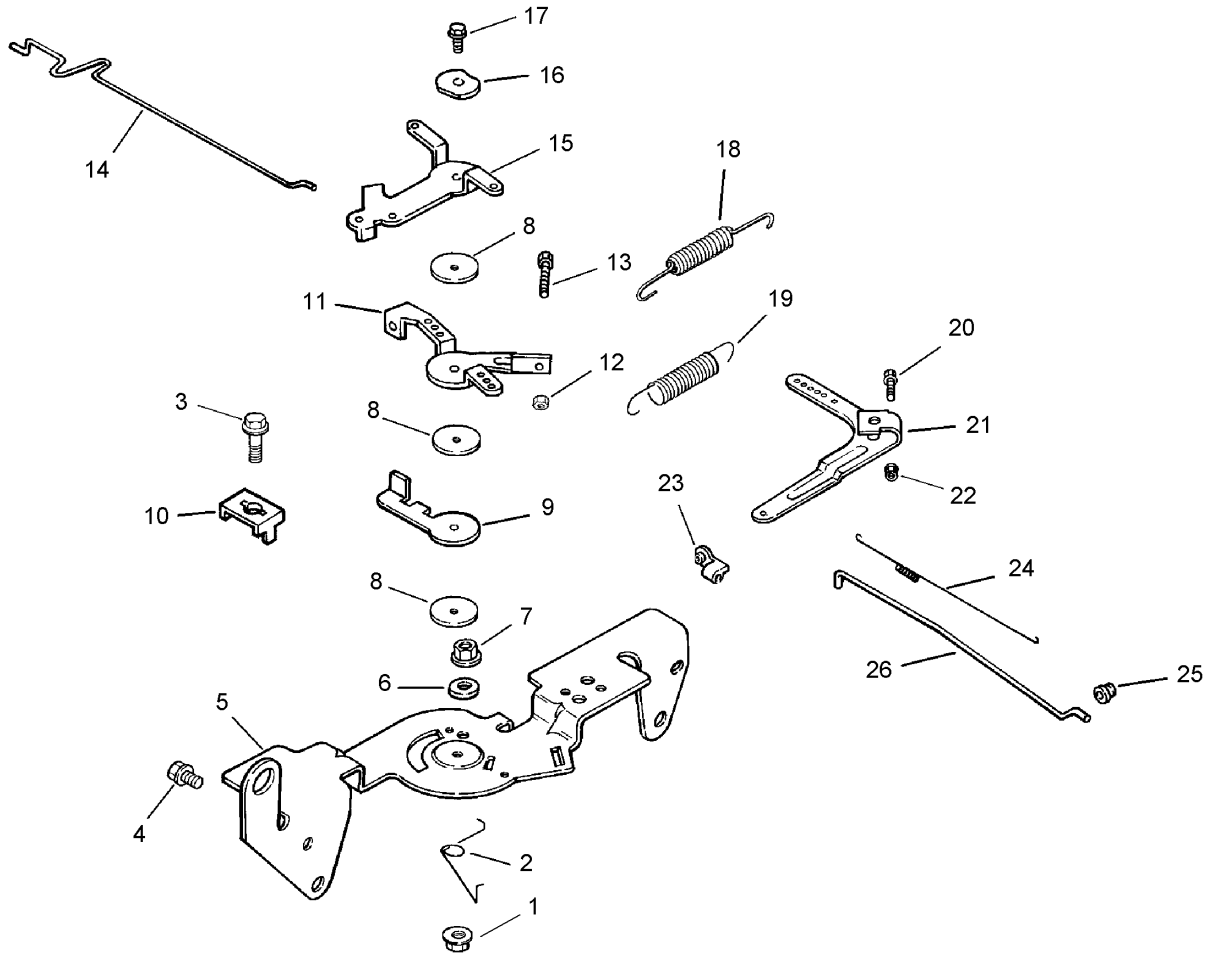



## Starter Assembly Kohler CH740-0054

Ref	Part No.	Qty.	Description
1	M-841080-S	1	Nut-HF (M8X1.25)
2	M-839080-S	2	Screw-HF (M8X1.25X80)
3	25 098 09-S	1	Starter ASM (Incl. Ref. #4-8)
4	25 086 113-S	3	Screw-Torx Head, External
5	25 435 05-S	1	Solenoid Kit (Incl. Ref. #4)
6	25 755 33-S	1	Pinion Drive Kit
7	25 141 05-S	1	Ring
8	25 225 01-S	1	Brush Kit

--	--	--	--

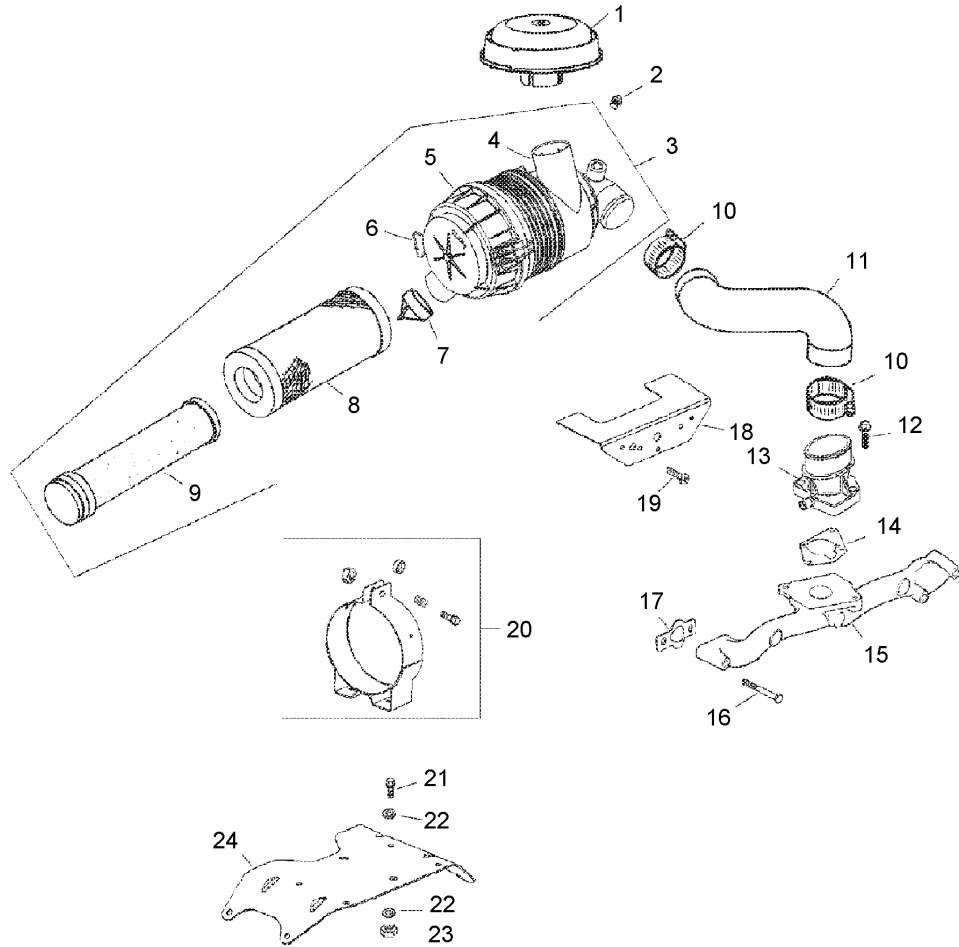




## Engine Control Assembly Kohler CH740-0054

Ref	Part No.	Qty.	Description
❶	M-547050-S	1	Nut-Lock, Hex (M5X0.8)
❷	24 089 03-S	1	Spring-Return, Choke
❸	M-545016-S	3	Screw-HF (M5X0.8X16)
❹	M-645016-S	4	Screw-HF (M6X1.0X16)
❺	24 126 56-S	1	Bracket-Control
❻	X-20-1-S	1	Washer-Lock (1/4In)
❼	M-541050-S	1	Nut-HF (M5X0.8)
❽	24 468 01-S	3	Washer-Plain
❾	24 090 07-S	1	Lever-Actuator, Throttle
❿	12 237 01-S	2	Clamp-Cable
⓫	24 090 03-S	1	Lever-Control, Throttle
⓬	M-446030-S	1	Nut-HF (M4X0.7)
⓭	M-401030-S	1	Screw (M4X0.7X30)
⓮	24 079 21-S	1	Linkage-Choke
⓯	24 090 05-S	1	Lever-Choke
⓰	41 468 03-S	1	Washer
⓱	M-545020-S	1	Screw-HF (M5X0.8X20)
⓲	24 089 51-S	1	Spring-Limiter, Throttle
⓳	24 089 46-S	1	Spring-Governor
⓴	24 211 03-S	1	Bolt-Square Neck, Round Head
⓵	24 090 33-S	1	Lever-Governor
⓶	M-641060-S	1	Nut-HF
⓷	25 158 11-S	1	Bushing-Retaining, Linkage
⓸	24 089 01-S	1	Spring-Linkage

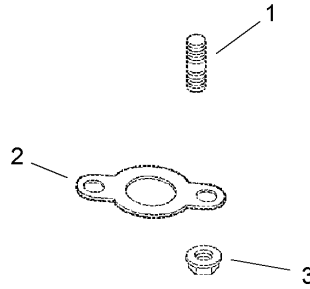
Ref	Part No.	Qty.	Description
⓶	25 158 08-S	1	Bushing-Retaining, Linkage
⓷	24 079 01-S	1	Linkage-Throttle



## Air Intake / Filtration Assembly Kohler CH740-0054

Ref	Part No.	Qty.	Description
❶	25 324 02-S	1	Hood-Cleaner, Air
❷	25 139 20-S	1	Plug-Pipe
❸	25 048 07-S	1	Cleaner-Heavy Duty Air (Incl. Ref. #4-9)
❹	25 081 01-S	1	Housing-Air Cleaner, Heavy Duty
❺	25 096 06-S	1	Cover ASM
❻	25 154 05-S	2	Clip
❼	24 462 07-S	1	Valve-Ejector, Dust
❽	25 083 01-S	1	Element-Air, Primary
❾	25 083 04-S	1	Element-Air, Safety
❿	25 237 21-S	2	Clamp-Hose
⓫	24 326 71-S	1	Hose-Cleaner, Air
⓬	M-651025-S	6	Screw-HF (M6X1.0X25)
⓭	24 029 61-S	1	Adapter-Cleaner, Air
⓮	24 041 06-S	1	Gasket-Base, Air Cleaner
⓯	24 164 14-S	1	Manifold-Intake
⓰	25 086 84-S	4	Screw-HF (M6X1.0X55)
⓱	24 041 01-S	2	Gasket-Manifold, Intake
⓲	24 314 25-S	1	Shield-Debris
⓳	24 086 06-S	2	Screw-Head, Phillips (11-16X3/4)
⓴	25 126 02-S	1	Hood-Air Cleaner, Heavy Duty
⓵	M-639016-S	2	Screw-HF (M6X1.0X16)
⓶	X-25-73-S	4	Washer-Plain
⓷	M-647060-S	2	Nut

Ref	Part No.	Qty.	Description
❶	24 126 142-S	1	Bracket-Cleaner, Air
❷	25 113 27-S	1	Decal-Cleaner, Air



## Exhaust Assembly Kohler CH740-0054

Ref	Part No.	Qty.	Description				
①	25 072 04-S	4	Stud (M8X1.25X33)				
②	24 041 49-S	2	Gasket-Exhaust				
③	M-841080-S	4	Nut-HF (M8X1.25)				
①②	24 755 113-S	1	Gasket Set				
①③	24 522 307	1	Short Block (Ch740)				

## Attachments and Accessories

For 74246 - Z557 Z Master, With 60in TURBO FORCE Side Discharge Mower

<b>Product Name</b>	<b>Model/Part</b>
1.25in Spark Arrester Kit .....	105-1672
Blade-Mid Flow, 20.5 .....	105-7715-03
Blade-Lo Flow, 20.5 .....	105-7716-03
Blade-Hi Flow .....	105-7718-03
Blade-Recycler, 20.5 .....	105-7777-03
Blade-Atomic, 20.5 .....	105-8777-03
60in Recycler Kit .....	107-1611
Deluxe Suspension Seat .....	107-1891
Suspension Kit for Standard Seat .....	107-1892
Filter Minder Gauge .....	99-4664
Hitch Kit .....	99-8925

# NOTES

# NOTES

# NOTES

