



# Brushcutter

Model No. 51934B—240000001 & Up

## Parts Catalog

---

### Ordering Replacement Parts

To order replacement parts, please supply: the part number, the quantity, and the description of each part.

### Understanding Reference Numbers

Each identified part in an illustration has a reference number. The reference number for a part also appears in the list, along with other information about the part.

### Understanding Figure Numbers

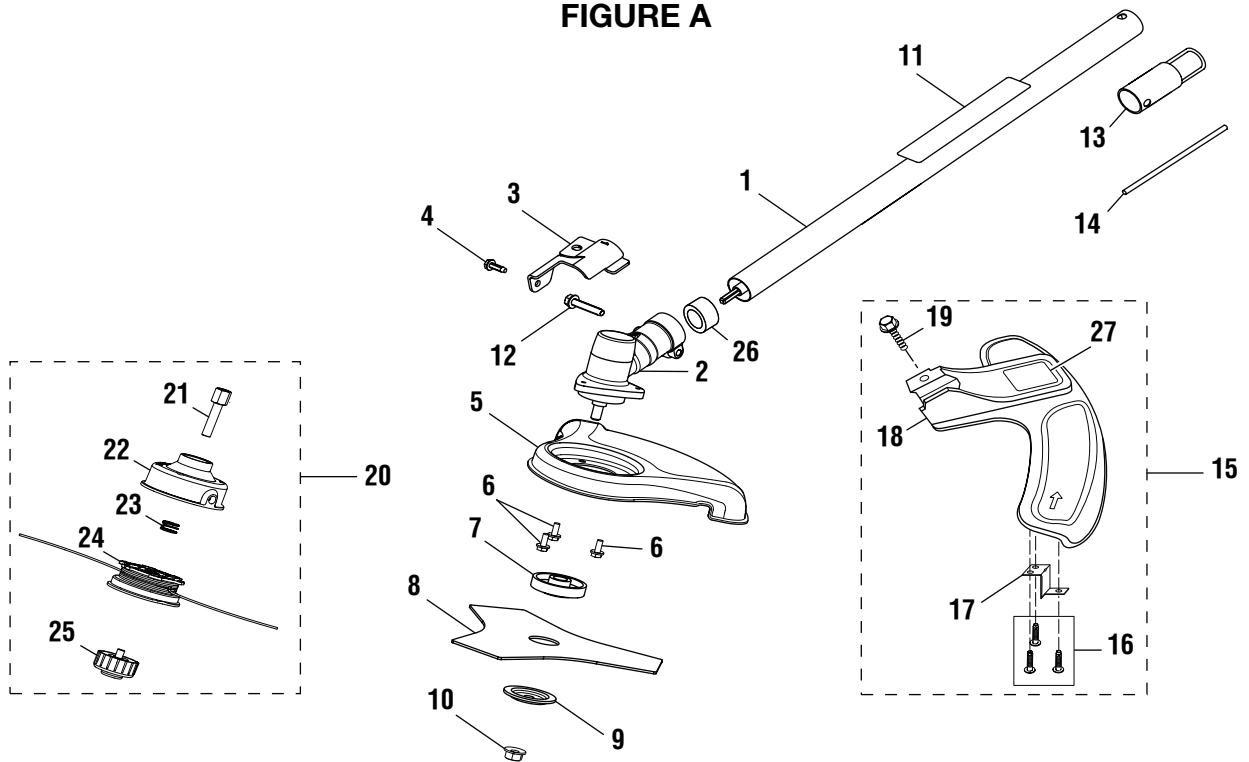
This catalog uses two special reference number formats, one to indicate parts in a service assembly and another to indicate a Figure Number.

Figure Numbers are represented as a Sub-Assembly which follow the exploded views.

Sub-Assemblies can be ordered as an Assembly or you may order any part individually.

**TORO BRUSHCUTTER – MODEL NUMBER 51934B**

**FIGURE A**

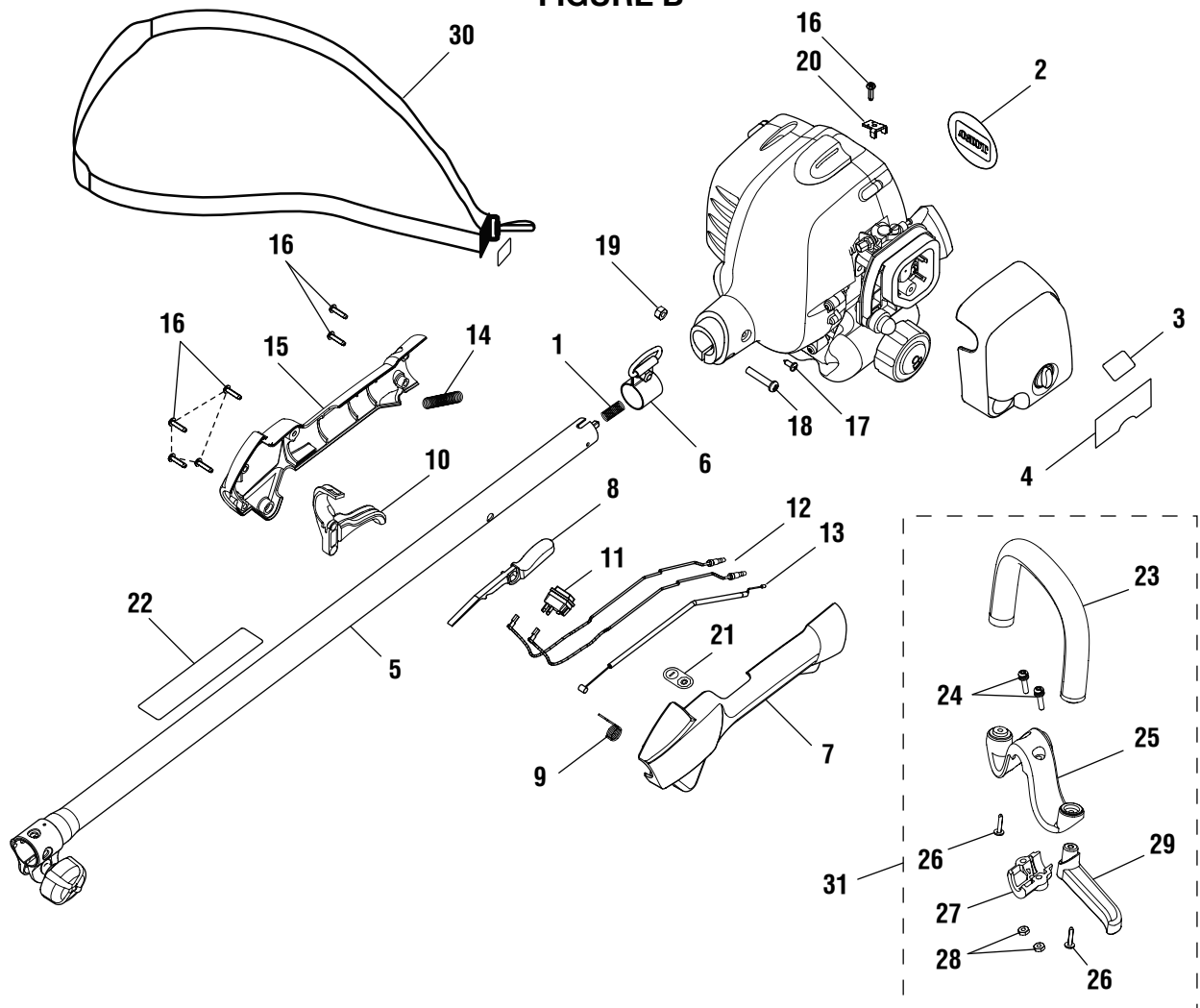


KEY NO.	PART NUMBER	DESCRIPTION	QTY.
1	985572001	STRAIGHT SHAFT ASSEMBLY .....	1
2	PA01364	GEAR CASE ASSEMBLY .....	1
3	PS04420	GRASS DEFLECTOR CLAMP .....	1
4	983774003	SCREW (#10-24 X 5/8 in. HEX WASHER HD.) .....	1
5	PS03538	BLADE GUARD.....	1
6	88049	SCREW (#10-24 X 1/2 in. SEMS SLOTTED HEX HD.) .....	3
7	04168A	FLANGED WASHER .....	1
8	06297	BLADE (TRI-ARC™).....	1
9	04409	CUPPED WASHER .....	1
10	04277	BLADE NUT, LEFT-HANDED THREADS.....	1
11	984102001	WARNING LABEL.....	1
12	983381007	SCREW .....	1
13	PS02155	HANGER CAP.....	1
14	00063	HEAD LOCKING TOOL.....	1
15	984443003	GRASS DEFLECTOR ASSEMBLY .....	1
16	82543	SCREW.....	3
17	PS04379	LINE CUTTING BLADE.....	1
18	984099001	GRASS DEFLECTOR.....	1
19	983379078	SCREW (#1/4-20 X 1-1/4 in. HEX WASHER HD.) .....	1
20	983797001	TRIMMER HEAD ASSEMBLY .....	1
21	PS04438	TRIMMER HEAD SHAFT ADAPTOR .....	1
22	A98231A	TRIMMER HEAD.....	1
23	06713	COMPRESSION SPRING.....	1
24	984238001	SPOOL WITH LINE (.095).....	1
25	A97910A	RETAINING CAP, LEFT-HANDED THREAD .....	1
26	985625001	SPACER.....	1
27	983649001	GRASS DEFLECTOR LABEL.....	1

To locate a source for replacement parts,  
contact us toll free at 1-866-574-9242 (US) or 1-866-574-9243 (Canada).

**TORO BRUSHCUTTER – MODEL NUMBER 51934B**

**FIGURE B**

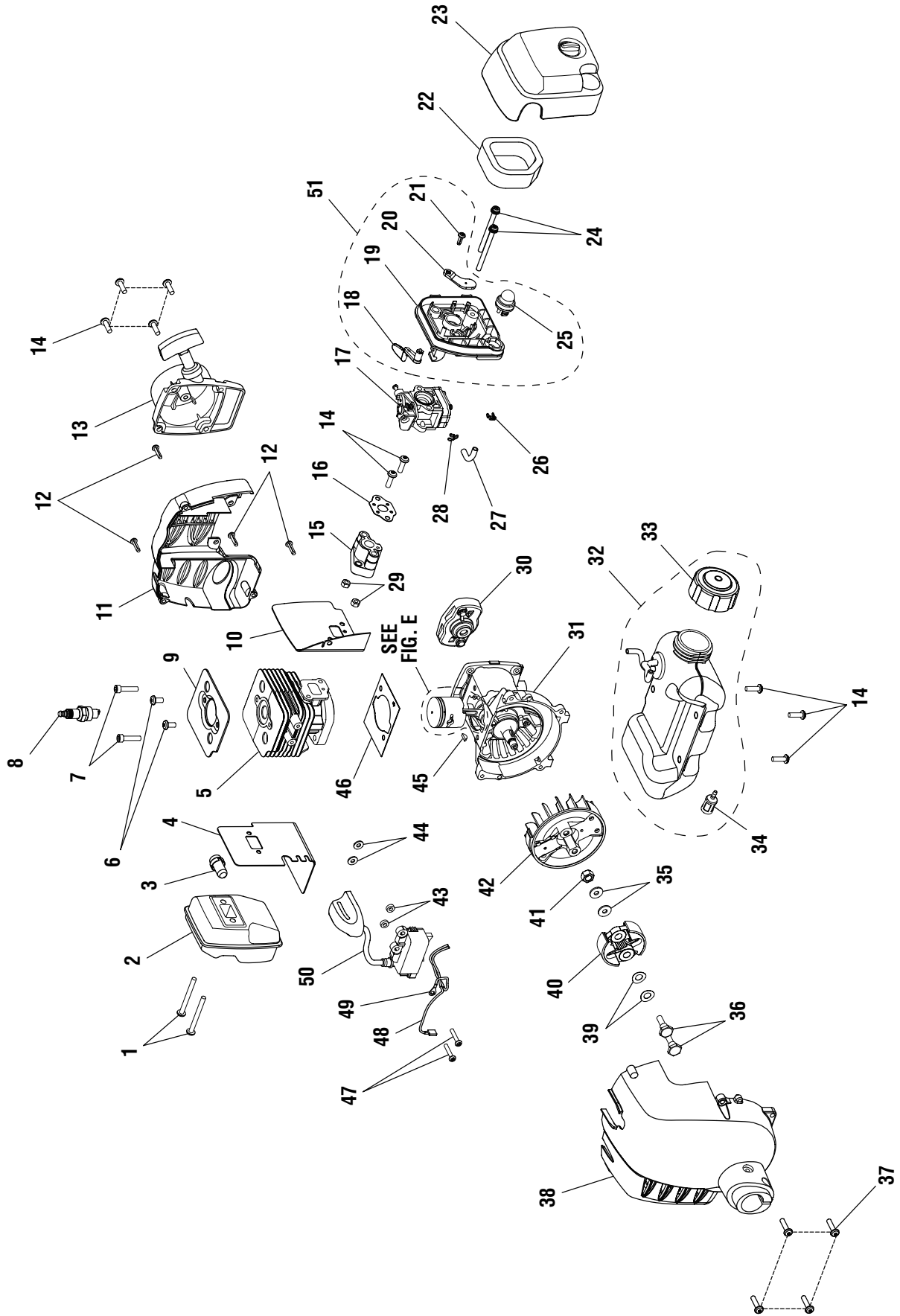


KEY PART NO.	NUMBER	DESCRIPTION	QTY.
1	984106001	SHAFT SPRING.....	1
2	983646001	LOGO PLATE.....	1
3	983647001	UPPER START LABEL.....	1
4	983648001	LOWER START LABEL.....	1
5	985571001	UPPER SHAFT ASSEMBLY .....	1
6	07255	HANGER BRACKET .....	1
7	983621001	REAR HANDLE SUPPORT.....	1
8	983623001	LOCK-OFF BUTTON.....	1
9	983624001	TRIGGER SPRING .....	1
10	983620001	TRIGGER.....	1
11	984236002	SWITCH WITH DUST SHIELD ..	1
12	983782001	LEAD .....	2
13	983635001	CABLE, THROTTLE.....	1
14	983632003	CORRUGATED TUBE.....	1
15	983622001	REAR HANDLE COVER .....	1
16	6656301	SCREW (M4 X 16 mm).....	7
17	82541	SCREW (#10-14 X 1/2 in. TRI-LOBULAR).....	1

KEY PART NO.	NUMBER	DESCRIPTION	QTY.
18	983799023	SCREW (M5 X 1-30 mm).....	1
19	983619015	HEX NUT .....	1
20	985255001	THROTTLE CABLE CLAMP .....	1
21	984240001	ON/OFF LABEL.....	1
22	984105001	WARNING LABEL .....	1
23	984439001	ASSIST HANDLE W/GRIP.....	1
24	PS04159	SCREW (#12-24 X 1 in. SEMS) .2	2
25	PS04070	M CLAMP.....	1
26	82620	SLOTTED TORX SCREW .....	2
27	PS04072	CLAMP.....	1
28	81068	HEX NUT (12-24).....	2
29	PS04071	BARRIER BAR.....	1
30	983961001	HARNES ASM. W/LABEL .....	1
31	983798004	ASSIST HANDLE W/BARRIER..	1
	983000410	OPERATOR'S MANUAL	
	983000410R	REPAIR SHEET	

To locate a source for replacement parts, contact us toll free at 1-866-574-9242 (US) or 1-866-574-9243 (Canada).

FIGURE C



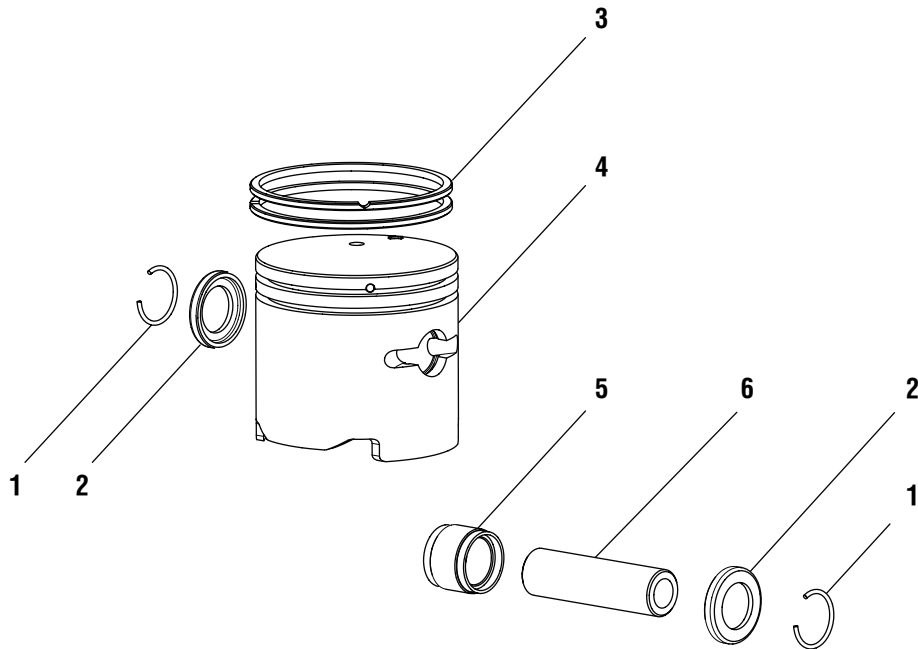
**TORO BRUSHCUTTER – MODEL NUMBER 51934B**

**FIGURE C - PARTS LIST**

<b>KEY PART NO. NUMBER</b>	<b>DESCRIPTION</b>	<b>QTY.</b>	<b>KEY PART NO. NUMBER</b>	<b>DESCRIPTION</b>	<b>QTY.</b>		
1	983660057	SCREW (M5 X 50 mm TORX SLOTTED RECESSED PAN HD.) ...	25	3078001	PRIMER ASSEMBLY.....	1	
		2	26	6970001	HOSE CLIP .....	1	
2	3074802	MUFFLER ASSEMBLY .....	1	27	5688002	FUEL LINE.....	1
3	6300210	SPARK ARRESTER .....	1	28	6969901	HOSE CLIP .....	1
4	6300206	MUFFLER GASKET.....	1	29	983619014	NUT (M5 x .8 mm).....	2
5	6457003	CYLINDER .....	1	30	985096001	PULLEY ASSEMBLY .....	1
6	983660005	SCREW (M5 X 10 in. TORX RECESSED PAN HD.) .....	2	31	3074902	CRANKCASE ASSEMBLY.....	1
7	6634201	SCREW (M5 X 22 mm SOCKET HD.).....	2	32	3075702	FUEL TANK ASSEMBLY .....	1
8	8714402	SPARK PLUG.....	1	33	A09116	FUEL CAP .....	1
9	6300221	CYLINDER PLATE.....	1	34	PS03380	FUEL FILTER.....	1
10	9071102	INSULATOR GASKET .....	1	35	983788071	WASHER.....	2
11	5947001	ENGINE HOUSING, REAR.....	1	36	6635301	CLUTCH SCREW.....	2
12	6656301	SCREW (M4 X 16 mm SLOTTED RECESSED PAN HD.) ...	4	37	6634401	SCREW (M5 X 20 mm TORX SLOTTED RECESSED PAN HD.) ...	4
13	985097001	STARTER RECOIL ASSEMBLY .....	1	38	3075403	FRONT HOUSING ASSEMBLY .....	1
14	6635101	SCREW (M5 X 16 mm Torx SLOTTED RECESSED PAN HD.) ...	9	39	6969601	CURVED WASHER .....	2
15	5994701	HEAT DAM INSULATOR .....	1	40	3075601	CLUTCH ASSEMBLY .....	1
16	9071103	CARBURETOR GASKET.....	1	41	6968901	ROTOR NUT .....	1
17	3074502	CARBURETOR ASSEMBLY .....	1	42	6457401	ROTOR.....	1
18	5945801	CHOKE LEVER.....	1	43	5946201	IGNITION COIL SPACER .....	2
19	5994501	CARBURETOR PLATE .....	1	44	982719005	WASHER (3/16 x 3/64).....	2
20	5994601	CHOKE PLATE .....	1	45	983784006	WOODRUFF KEY (10 mm X 3 mm).....	1
21	983645005	SCREW (M4 X 12 mm SLOTTED RECESSED PAN HD.) .....	1	46	9070901	GASKET .....	1
22	5687301	ELEMENT.....	1	47	6634901	SCREW (M4 X 22 mm TORX SLOTTED RECESSED PAN HD.) ...	2
23	3074701	COVER ASSEMBLY .....	1	48	2914301	LEAD ASSEMBLY, BLACK.....	1
24	6634601	SCREW (M5 X 60 mm, SLOTTED RECESSED PAN HD. MACHINE)...	2	49	2914302	LEAD ASSEMBLY, RED.....	1
				50	2917802	COIL BOOT ASSEMBLY (INCLUDES KEY NOS. 48 & 49).....	1
				51	3074602	FILTER HOUSING ASSEMBLY .....	1

To locate a source for replacement parts,  
contact us toll free at 1-866-574-9242 (US) or 1-866-574-9243 (Canada).

FIGURE E



KEY NO.	PART NUMBER	DESCRIPTION	QTY.
1	6969101	WRIST PIN CLIP RING .....	2
2	6968701	WASHER .....	2
3	6969001	PISTON RING.....	2
4	6457303	PISTON.....	1
5	6968602	NEEDLE BEARING (ID 8 X 8.8).....	1
6	6222701	WRIST PIN.....	1

To locate a source for replacement parts,  
 contact us toll free at 1-866-574-9242 (US) or 1-866-574-9243 (Canada).



**OWT Industries, Inc.**

P.O. Box 35  
Highway 8  
Pickens, SC 29671  
USA

**Customer Service Information**

If your product requires service or maintenance,  
contact your nearest authorized service dealer.

To locate your nearest authorized service dealer for this product,  
contact us toll free at 1-866-574-9242 (US) or 1-866-574-9243 (Canada).