



Trimmer/Brushcutter

Model No. 51950A—250000001 & Up

Model No. 51970A—250000001 & Up

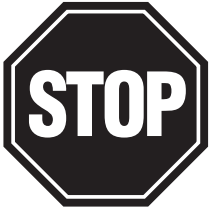
Model No. 51990A—250000001 & Up



Operator's Manual

⚠ WARNING:

To reduce the risk of injury, the user must read and understand the operator's manual. Save this manual.



READ THIS INFORMATION

Before you use your new trimmer/brushcutter, read the following helpful hints to get you started.

Fueling



DANGER:

Gasoline is extremely flammable and explosive. A fire or explosion from gasoline will burn you and others.

1. Obtain a clean container that is approved for use with gasoline.
2. Mix all of the 2-cycle oil provided with 1 US gallon of 87-octane, unleaded gasoline.
3. Fill the trimmer's gas tank carefully.

Cold Starting vs. Warm Starting

When you restart the trimmer/brushcutter and you are not sure whether the engine is still warm, set the start lever to **RUN** (Choke Open) and pull the starter cord. If the engine does not start within 5 pulls, refer to "To Start a Cold Engine" later in this manual.

Flooded Engine

Will the engine start? If not, it may be flooded. Relax, this is easy to correct. Set the start lever to **RUN** (Choke Open). Squeeze the trigger and pull the starter cord quickly for 10 to 12 pulls. If the engine does not start, refer to "Troubleshooting" later in this manual or call toll-free at 1-866-574-9242 (US) or 1-866-574-9243 (Canada).



For questions concerning your trimmer/brushcutter, call us toll free at 1-866-574-9242.



WARNING: The engine exhaust from this product contains chemicals known to the State of California to cause cancer, birth defects, or other reproductive harm.

Table of Contents

Introduction.....	4
Safety Rules	5-6
Symbols	6-7
Product Labels	8
Features	9-11
Product Specifications	9
Assembly.....	13-16
Unpacking.....	12
Connecting the Attachment to the Upper Shaft	13
Removing the Attachment from the Upper Shaft	13
Attaching the Front Handle.....	13
Attaching the Shoulder Strap	13
Attaching the Grass Deflector	13
Converting from Brushcutter to Trimmer.....	15
Converting from Trimmer to Brushcutter.....	16
Operation.....	17
Applications	17
Mixing the Fuel.....	17
Filling the Tank.....	17
Starting the Product	18
Stopping the Product.....	18
Operating the Trimmer	19
Operating the Brushcutter.....	20
Maintenance.....	21
Emissions Maintenance Schedule.....	21
Cleaning the Product.....	21
Servicing the Product.....	21
Replacing the Cutting Line.....	21-22
Replacing the Spool.....	22
Checking the Fuel Cap.....	23
Cleaning the Air Filter	23
Replacing the Spark Arrester	23
Replacing the Spark Plug.....	24
Storing the Product	24
Transporting the Product.....	24
Troubleshooting	25
Warranty.....	26-27

Introduction

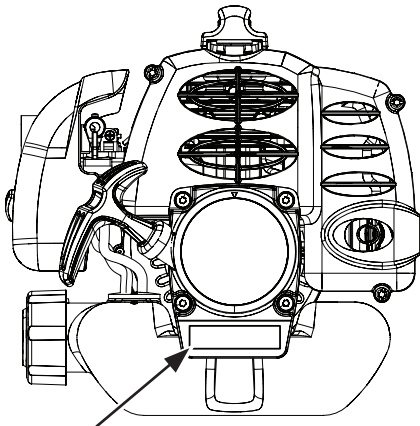
Thank you for purchasing a Toro product.

We would like for you to be completely satisfied with your new product, so feel free to contact an authorized service dealer for help with service, genuine Toro parts, or other information you may require.

Whenever you contact an authorized service dealer, always know the model and serial numbers of the product. These numbers will help the service representative provide exact information about your specific product. You will find the model and serial number decal located on the motor housing.

For your convenience, write the product model and serial numbers in the space below.

Model No.	
Serial No.	



**Model No./Serial No.
Label**

Read this manual carefully to learn how to operate and maintain your product correctly. Reading this manual will help you and others avoid personal injury and damage to the product. Although Toro designs, produces, and markets safe, state-of-the-art products, you are responsible for using the product properly and safely. You are also responsible for training persons you allow to use the product about safe operation.

The Toro warning system in this manual identifies potential hazards and has special safety messages that help you and others avoid personal injury, even death. DANGER, WARNING, and CAUTION are signal words that identify the level of hazard. However, regardless of the hazard, be extremely careful. Two other words, “Important” and “Note,” highlight information.

Signal Word	Explanation
DANGER	Indicates an imminently hazardous situation which, if not avoided, will result in death or serious injury.
WARNING	Indicates a potentially hazardous situation which, if not avoided, could result in death or serious injury.
CAUTION	Indicates a potentially hazardous situation which, if not avoided, may result in minor or moderate injury. It may also be used to alert against unsafe practices that may cause property damage.
Important	Advises you of important information or instructions vital to the operation or maintenance of the equipment.
Note	Advises you of additional information concerning the operation or maintenance of the equipment.

Safety Rules

WARNING:

Read and understand all instructions. Failure to follow all instructions may result in serious personal injury as well as damage to the product.

This product has been designed and manufactured to meet or exceed the requirements of the current version of ANSI B175.3, safety requirements for gasoline-powered string trimmers and brushcutters.

- **Physical Condition of the Operator.** Do not operate this product when tired, ill, or under the influence of alcohol, drugs, or medication.
- **Clothing Requirements.** Always wear long heavy pants, boots, and gloves. Do not wear loose clothing, jewelry, short pants, sandals, or go barefoot. Secure hair so that it is above shoulder level to avoid entanglement in moving parts.
- **Protective Accessories Requirements.** Wear eye protection marked to comply with ANSI Z87.1 standards when operating this product. Wear hearing protection during extended periods of operation.
- **Condition of Trimmer Before Use.** Inspect the product before each use. Replace damaged parts. Check for fuel leaks. Make sure all fasteners are in place and secure. Replace cutting attachment parts that are cracked, chipped, or damaged in any way. Make sure the cutting attachment is properly installed and securely fastened. Be sure the cutting attachment shield is properly attached, and in the position recommended by the manufacturer. Use only flexible, non-metallic line recommended by the manufacturer. For example, never use wire or wire-rope, which can break off and become a dangerous projectile.
- **Proper Stance.** Keep firm footing and balance. Do not overreach. Keep the cutting attachment below waist level. Keep all parts of your body away from the rotating cutting attachment and hot surfaces.
- **Exhaust Gases.** Never start or run the product inside a closed room or building; breathing exhaust fumes can cause illness or death.
- **Fueling.** Mix and pour fuel outdoors where there are no sparks and flames. Slowly remove the fuel cap only after stopping the engine. Do not smoke while fueling or mixing fuel. Wipe spilled fuel from the product. Move at least 30 ft. (9 m) away from the fueling source and site before starting the engine.
- **Work Area.** Clear the area to be cut before each use. Remove all objects, such as rocks, broken glass, nails, wire, or string, that can be thrown or become entangled in the cutting attachment. Clear the area of children, bystanders, and pets. At a minimum, keep all children, bystanders, and pets outside a 50 ft. (15 m) radius. Because there still may be a risk of injury to bystanders from thrown objects, bystanders should be encouraged to wear eye protection. If you are approached while operating the product, stop the engine and the cutting attachment.
- **Dangerous Environments.** To avoid falling, do not use the product in damp or wet locations.
- **Controlling the Product.** During carburetor adjustments the cutting attachment may spin. Therefore, you should wear protective equipment and observe all safety instructions when adjusting the carburetor. For products equipped with a clutch, be sure the cutting attachment stops turning when the engine idles. When the product is turned off, make sure the cutting attachment has stopped before setting down the product.
- **Use the Right Product.** Use the product for the intended purpose only.
- **Condition of Brushcutter Before Use.** The handles shall be mounted according to the manufacturer's instructions. Do not attach any blade to a product without proper installation of all required parts. Failure to use the proper parts can cause the blade to fly off and seriously injure the operator and/or bystanders. Discard blades that are bent, warped, cracked, broken, or damaged in any way.
- **Use the Right Equipment.** Always use the barrier bar on the front handle and the shoulder strap with the brushcutter.
- **Blade Thrust.** Blade thrust may occur when the spinning blade contacts an object that it does not immediately cut. A blade thrust can be violent enough to cause the product and/or operator to be propelled in any direction, and possibly lose control of the product. Blade thrust can occur without warning if the blade snags, stalls, or binds. This is more likely to occur in areas where it is difficult to see the material being cut.
- **Stopping the Product.** A coasting blade can cause injury while it continues to spin after the engine is stopped or throttle is released. Maintain proper control until the blade has completely stopped rotating.

Safety Rules









This engine is equipped with a spark arrester muffler. It is a violation of California Public Resource Code Section 4442 to use or operate this engine without a spark arrester muffler on any forest-covered, brush-covered, or grass-covered land. Other states or federal areas may have similar laws.

This spark ignition system complies with Canadian ICES-002.

Save these instructions. Refer to them frequently and use them to instruct others who may use this product. If you loan someone this product, loan these instructions also.




Symbols

The following symbols are located on the product. Please study them and learn their meaning. Proper interpretation of these symbols allows you to operate the product better and safer.

Symbol	Name	Explanation
	Safety Alert Symbol	Precautions that involve your safety.
	Read the Operator's Manual	Read the operator's manual before starting or operating this product. Failure to follow operating instructions and safety precautions in the operator's manual can result in serious injury.
	Wear Eye and Hearing Protection	Wear eye protection which is marked to comply with ANSI Z87.1 as well as hearing protection when operating this equipment.
	Keep Bystanders Away	Keep all bystanders at least 50 feet (15 m) away.
	Richochet	Thrown objects can ricochet and result in personal injury or property damage.
	No Blade	Do not install or use any type of blade on a product displaying this symbol.
	Blade Thrust	Beware of blade thrust. Products authorized for blade use will display this symbol to warn of blade thrust.
	Gasoline and Oil	Use unleaded gasoline intended for motor vehicle use with an octane rating of 87 ([R + M] / 2) or higher. This product is powered by a 2-cycle engine and requires pre-mixing gasoline and 2-cycle oil.

Symbols

The following signal words and meanings are intended to explain the levels of risk associated with this product.

SYMBOL	SIGNAL	MEANING
	DANGER:	Indicates an imminently hazardous situation, which, if not avoided, will result in death or serious injury.
	WARNING:	Indicates a potentially hazardous situation, which, if not avoided, could result in death or serious injury.
	CAUTION:	Indicates a potentially hazardous situation, which, if not avoided, may result in minor or moderate injury.
	CAUTION:	(Without Safety Alert Symbol) Indicates a situation that may result in property damage.

SERVICE

Servicing requires extreme care and knowledge and should be performed only by a qualified service technician. For service we suggest you return the product to your nearest **AUTHORIZED SERVICE CENTER** for repair. When servicing, use only identical replacement parts.



WARNING:

To avoid serious personal injury, do not attempt to use this product until you read thoroughly and understand completely the operator's manual. Save this operator's manual and review frequently for continuing safe operation and instructing others who may use this product.



WARNING:

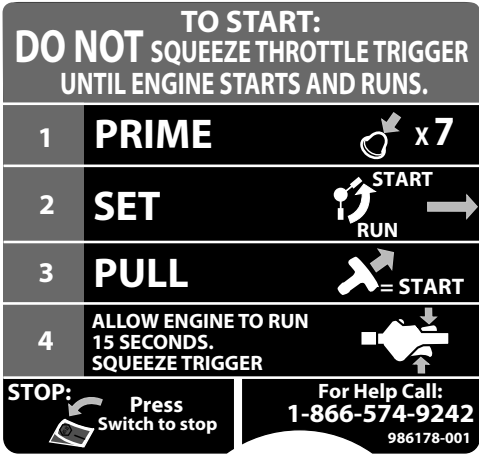



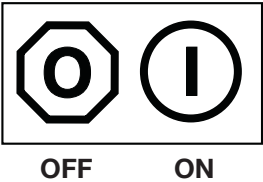



The operation of any power tool can result in foreign objects being thrown into your eyes, which can result in severe eye damage. Before beginning power tool operation, always wear safety goggles or safety glasses with side shields and a full face shield when needed. We recommend Wide Vision Safety Mask for use over eyeglasses or standard safety glasses with side shields. Always use eye protection which is marked to comply with ANSI Z87.1.

SAVE THESE INSTRUCTIONS

Product Labels

Product labels and instructions are easily visible to the operator and are located near any area of potential danger. Replace damaged or lost labels.

<p>Part No. 986178-001</p> 	<p>Part No. 984032-001</p> 
<p>Part No. 985102-001</p> 	<p>Part No. 984105-001</p> 
<p>Part No. 984240-001</p> 	<p>Part No. 983961-001 (Shoulder Strap)</p> 

Features

Product Specifications

Engine 25.4 cc Full Crank

Cutting Width

Model No. 51950A 17 in.

Model No. 51970A 18 in.

Model No. 51990A 8 in. for brushcutter, 18 in. for trimmer

Line Size .095 in.

Weight

Model No. 51950A 12-1/2 lbs.

Model No. 51970A 13-1/2 lbs.

Model No. 51990A 13-1/2 lbs.

Features

Know Your Trimmer/Brushcutter

See Figure 1.

Before attempting to use this product, familiarize yourself with all operating features and safety rules.

Common Features

Engine

The engine is powerful and easy to start. It is effectively counterbalanced, which allows for less vibration and more durability.

Ergonomic Design

The design of the product provides for easy handling. It is designed for comfort and ease of grasp when operating in different positions and at different angles.

Curved/Straight Shaft Features

(Model No. 51950A/51970A)

Dual Line

The dual line permits more efficient cutting than a single line.

Grass Deflector

The grass deflector helps protect you from flying debris.

Brushcutter Features

(Model No. 51990A)

Blade

The Tri-Arc® blade allows you to brushcut weeds, vines and light brush.

Brushcutter Guard

The brushcutter guard helps protect you from the blade and from flying debris.

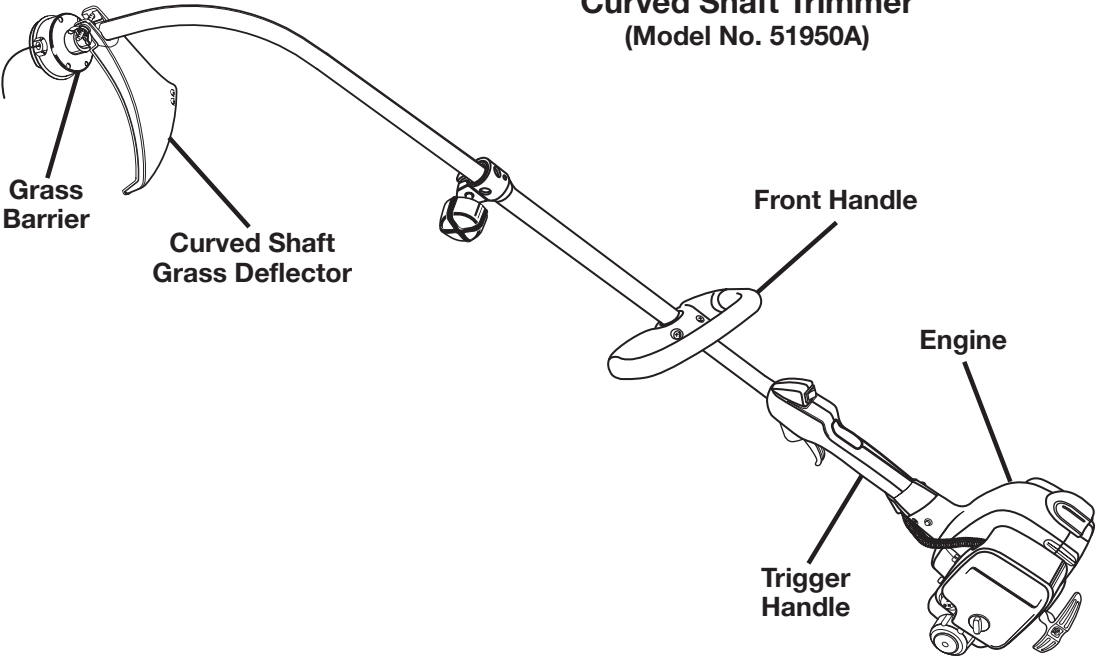
Shoulder Strap

The brushcutter includes a shoulder strap that helps support the product.

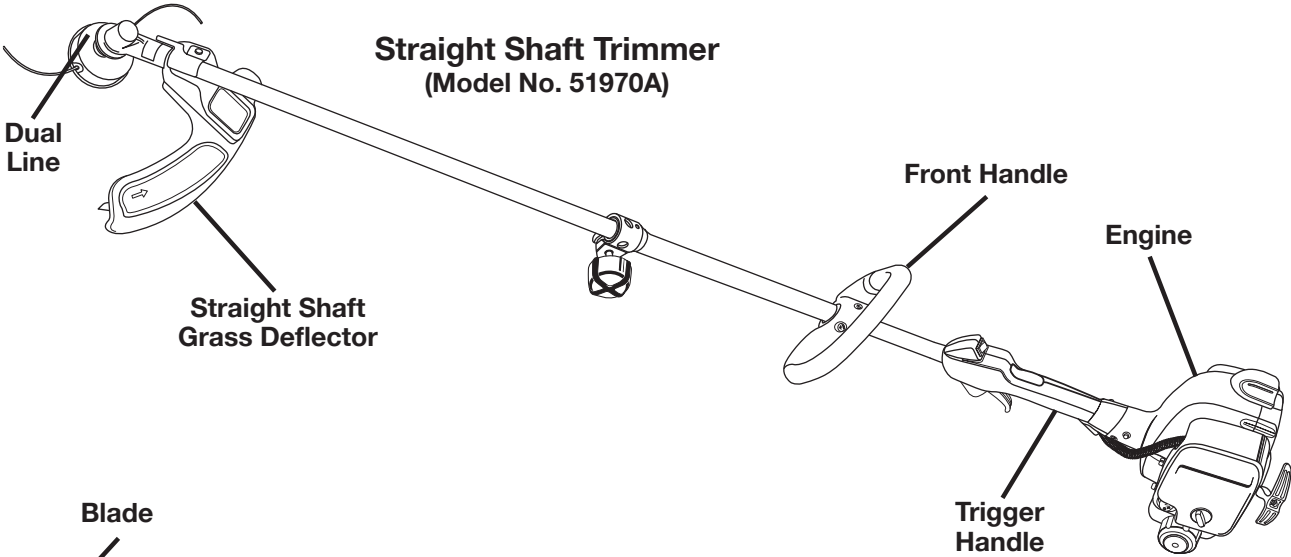
Barrier Bar

The handle on the brushcutter contains a barrier bar that restrains the operator in position and maintains a proper distance between the operator and the blade.

**Curved Shaft Trimmer
(Model No. 51950A)**



**Straight Shaft Trimmer
(Model No. 51970A)**



**Brushcutter
(Model No. 51990A)**

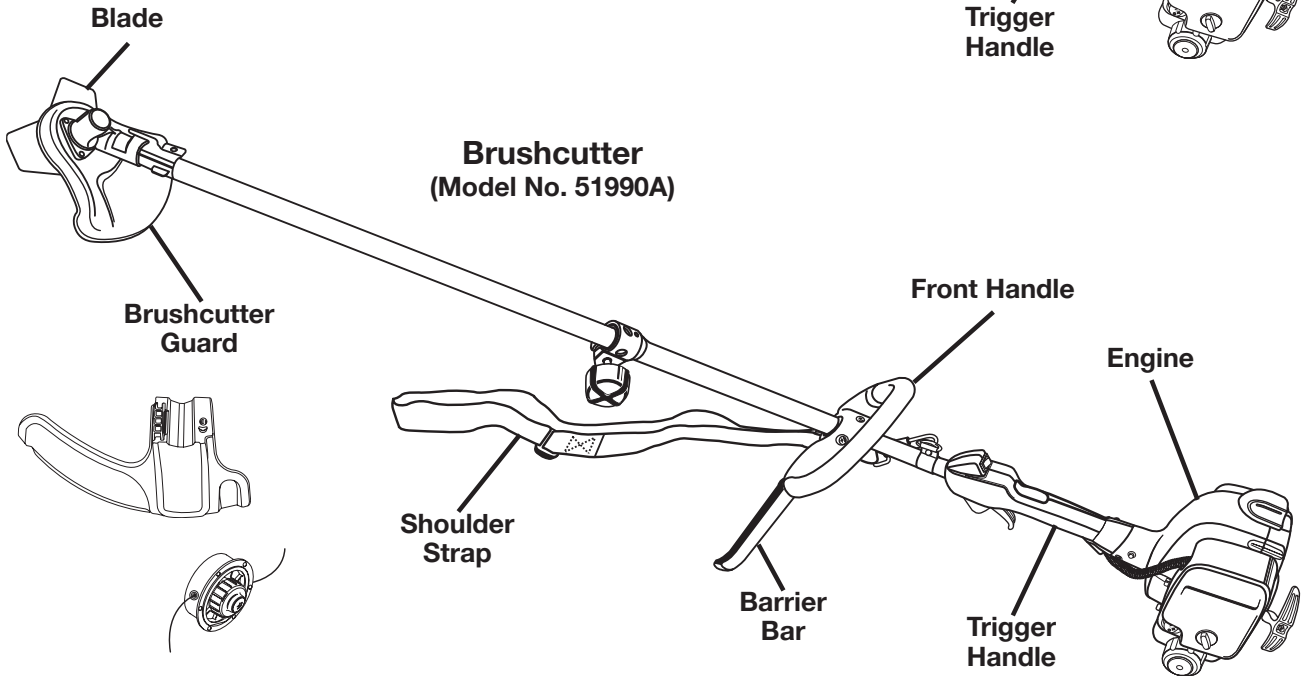


Figure 1

Assembly

Unpacking

- Carefully remove the product from the box.
- Inspect the product carefully to make sure no breakage or damage occurred during shipping.
- Do not discard the packing material until you have carefully inspected and satisfactorily operated the product.
- If any parts are damaged or missing, please call toll free 1-866-574-9242 for assistance.

Packing List

Upper shaft (Power head) (1)

Attachment shaft (Cutting head) (1)

Handle (1)

Curved shaft grass deflector (1) (Model No. 51950A)

Straight shaft grass deflector (1) (Model No. 51970A and Model No. 51990A)

Grass barrier (Model No. 51950A)

Hex head cap screw - 1/4-20 x 2 in. (1)
(Model No. 51950A)

Lock washer (1) (Model No. 51950A)

Flat washer (1) (Model No. 51950A)

Wing nut (1) (Model No. 51950A)

Oil

Head locking tool (1) (Model No. 51990A)

Shoulder strap (1) (Model No. 51990A)

Storage cap

WARNING:

If any parts are missing, do not operate the product until the missing parts are replaced. Failure to do so could result in serious personal injury.

WARNING:

Do not attempt to modify this tool or create accessories not recommended for use with this tool. Any such alteration or modification is misuse and could result in a hazardous condition leading to possible serious personal injury.

WARNING:

Do not start trimmer until assembly is complete. Failure to comply could result in accidental starting and possible serious personal injury.

Connecting the Attachment to the Upper Shaft

See Figure 2.

Follow these steps to connect the attachment to the upper shaft.

1. Loosen the knob by turning it counterclockwise.
2. Remove the end cap from the attachment shaft.
3. Align the button on the attachment shaft with the guide recess on the upper shaft.
4. Slide the attachment shaft into the upper shaft until the attachment shaft clicks into place.
Note: You may need to turn the attachment shaft to properly align the two shafts.
5. Tighten the knob securely by turning it clockwise.

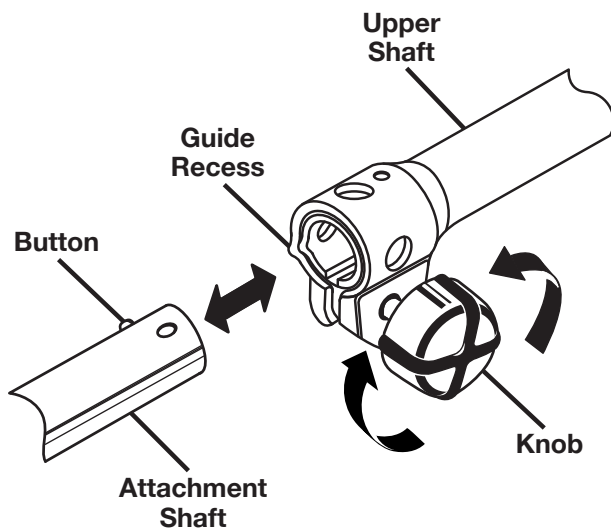


Figure 2

Removing the Attachment from the Upper Shaft

See Figure 2.

Follow these steps to remove the attachment from the upper shaft.

1. Loosen the knob by turning it counterclockwise.
2. Push the button while pulling out the attachment.

Attaching the Front Handle

See Figure 3.

Follow these steps to attach the front handle.

1. Remove the slotted Torx™ screws to separate the handle from the handle support.
2. Press the handle onto the top of the upper shaft, no less than 10 in. (25.4 cm) from the center of the trigger handle, angling the handle toward the trigger handle.

3. Place the handle along the upper shaft to a position that allows for comfortable operation.
4. Place the handle support on the bottom of the tube on the opposite side of the front handle.
5. Secure the handle with the slotted Torx™ screws.

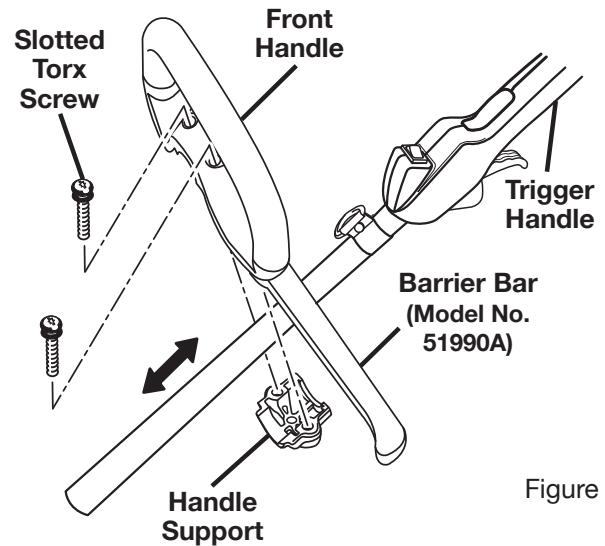


Figure 3

Attaching the Shoulder Strap Model No. 51990A

See Figure 4.

Follow these steps to attach the shoulder strap.

1. Connect the latch on the strap to the hanger bracket.
2. Adjust the strap to a comfortable position.

Note: To quickly release the product from the shoulder strap, sharply pull the quick release tab.

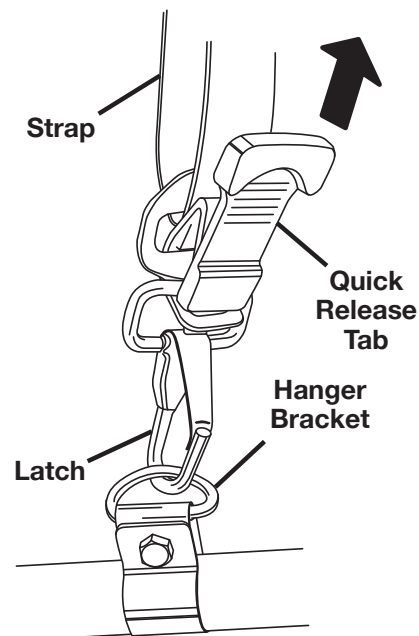


Figure 4

Attaching the Grass Deflector

Attaching the grass deflector differs depending on the type of trimmer: curved shaft or straight shaft.

⚠ WARNING:

The line cutting blade on the grass deflector is sharp. Avoid contact with the blade. Failure to avoid contact can result in serious personal injury.

Note: To protect the operator, always be sure to attach the grass deflector.

To Attach the Curved Shaft Grass Deflector Model No. 51950A

See Figure 5.

Follow these steps to attach the curved shaft grass deflector.

1. Press the grass deflector onto the bottom of the curved shaft as shown.
2. Lift the grass barrier up slightly.
3. Insert the hex head cap screw through the grass deflector, bracket, and grass barrier.
4. Place the flat washer and lock washer on the hex head cap screw.
5. Place the wing nut or hex nut on the hex head cap screw and turn clockwise to secure.

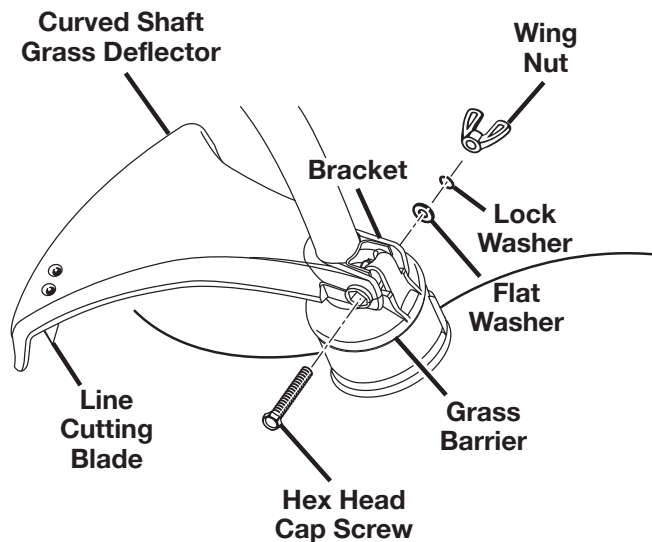


Figure 5

To Attach the Straight Shaft Grass Deflector Model No. 51970A and Model No. 51990A

See Figure 6.

Follow these steps to attach the straight shaft grass deflector.

1. Remove the slotted hex head screw from the grass deflector.
2. Insert the tab on the mounting bracket in the slot on the grass deflector.
3. Align the screw hole in the mounting bracket with the screw hole in the grass deflector.
4. Insert the slotted hex head screw through the mounting bracket and into the grass deflector.
5. Tighten the screw securely.

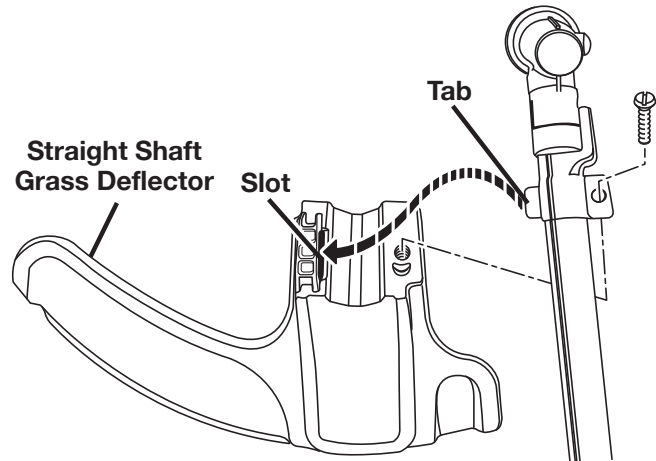


Figure 6

Converting From Brushcutter To Trimmer

Model No. 51990A

To convert from the brushcutter to the trimmer, remove the blade, remove the brushcutter guard, attach the grass deflector, and install the trimmer head assembly.

To Remove the Blade and Brushcutter Guard

See Figure 7 and Figure 8.

Follow these steps to remove the blade and brushcutter guard.

1. Align the slot in the flanged washer with the slot in the gear head.
2. Place the head locking tool through the slot in the flanged washer and gear head.
3. Remove the blade nut by turning it clockwise (left-handed threads).
4. Remove the cupped washer and the blade.



WARNING:

Be careful when handling the blade. It is sharp. Failure to heed this warning can result in serious personal injury.

5. Remove the flanged washer from the gear shaft and retain it for the trimmer head assembly installation.
6. Remove the three screws securing the brushcutter guard.
7. Remove the brushcutter guard.
Note: Store the brushcutter parts together for future use.

To Attach the Grass Deflector

Refer to “To Attach the Straight Shaft Grass Deflector” earlier in this manual.

To Install the Trimmer Head Assembly

See Figure 9.

Follow these steps to install the trimmer head assembly.

1. Align the slot in the flanged washer with the slot in the gear head.
2. Insert the head locking tool through the flanged washer and gear head.
3. Install the drive shaft and trimmer head assembly onto the gear shaft by turning the drive shaft counterclockwise (left-handed threads).
4. Tighten the drive shaft securely.

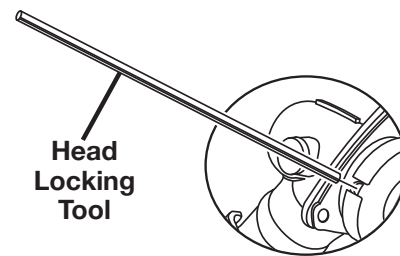


Figure 7

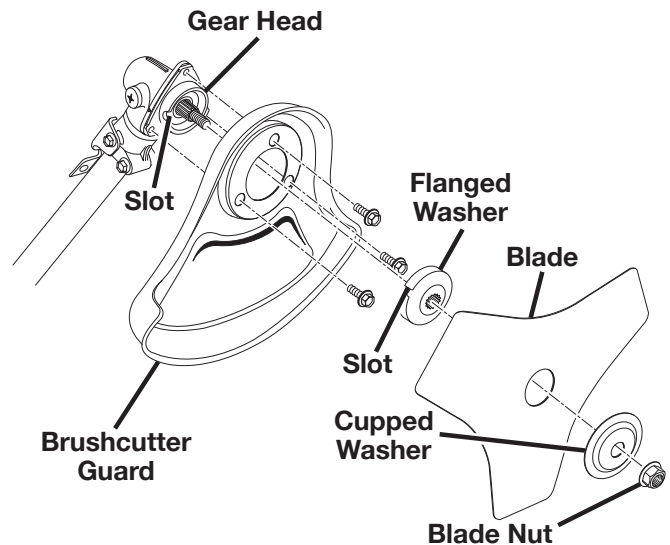


Figure 8

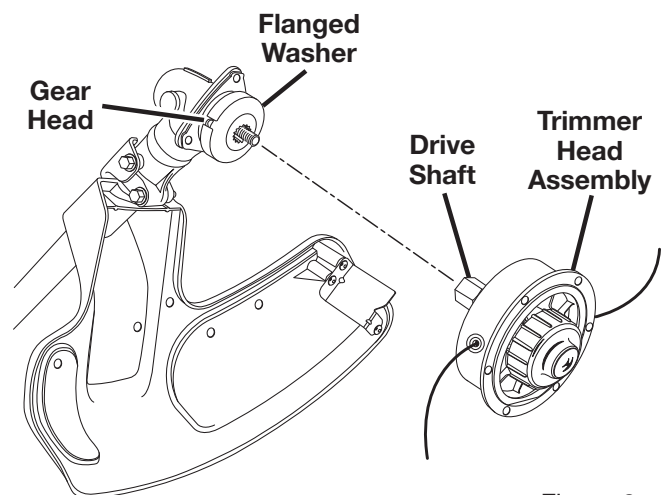


Figure 9

Converting From Trimmer To Brushcutter Model No. 51990A

To convert from the trimmer to the brushcutter, remove the trimmer head assembly, remove the grass deflector, attach the brushcutter guard, and install the blade.

To Remove the Trimmer Head Assembly and Grass Deflector

See Figures 10 and 11.

Follow these steps to remove the trimmer head assembly and grass deflector.

1. Align the slot in the flanged washer with the slot in the gear head.
2. Insert the head locking tool through the flanged washer and gear head.
3. Remove the drive shaft and trimmer head assembly by turning the drive shaft clockwise (left-handed threads).
4. Remove the flanged washer and retain it for the blade installation.
5. Remove the screw securing the grass deflector.
6. Remove the grass deflector.

Note: Store the trimmer head assembly parts together for future use.

To Attach the Brushcutter Guard

See Figure 12.

Note: To protect the operator, always be sure to attach the brushcutter guard.

Follow these steps to attach the brushcutter guard.

1. Place the guard onto the gear head as shown.
2. Insert the three hex head screws from the bottom through the guard into the gear head.
3. Tighten the screws securely and torque to 40-50 in.lb.

To Install the Blade

See Figure 13.

Follow these steps to install the blade.

1. Place flanged washer over the gear shaft with the hollow side toward the brushcutter guard.
2. Center the blade on the flanged washer, making sure the blade fits flat and the raised hub goes through the hole in the blade.
3. Install the cupped washer with the raised center away from the blade.
4. Place the blade nut onto the gear shaft.
5. Insert the head locking tool through the flanged washer and gear head.
6. Install the blade nut by turning it counterclockwise (left-handed threads).
7. Tighten the blade nut and torque to 120 in.lb. minimum (finger tight plus 1/2 turn).

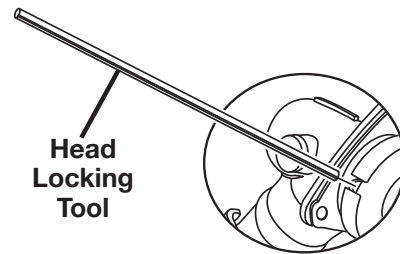


Figure 10

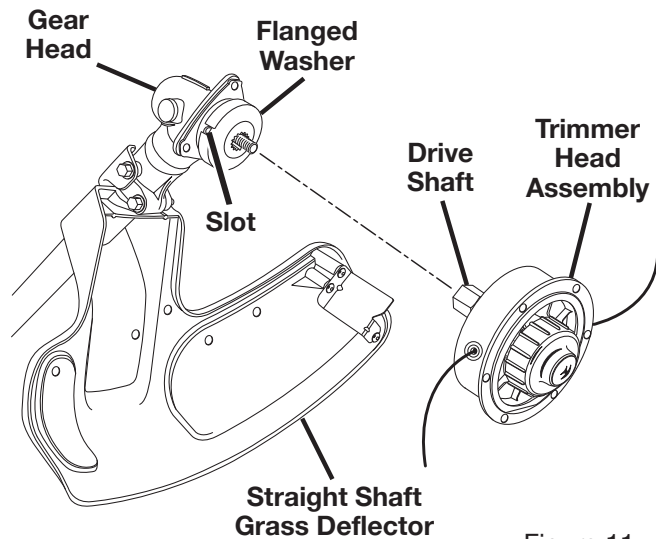


Figure 11

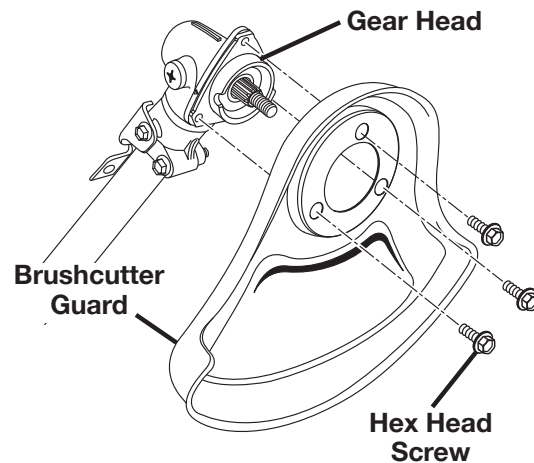


Figure 12

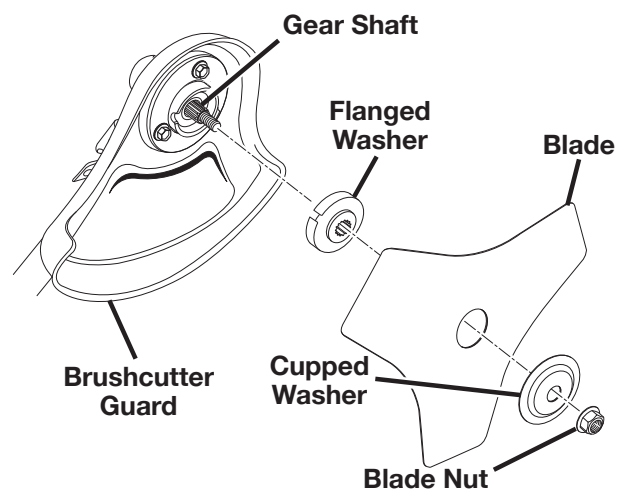


Figure 13

Operation

⚠ WARNING:

Do not allow familiarity with tools to make you careless. Remember that a careless fraction of a second is sufficient to inflict serious injury.

⚠ WARNING:

Always wear safety goggles or safety glasses with side shields when operating power tools. Failure to do so could result in objects being thrown into your eyes resulting in possible serious injury.

⚠ WARNING:

Do not use any attachments or accessories not recommended by the manufacturer of this tool. The use of attachments or accessories not recommended can result in serious personal injury.

Applications

Use this product for the following applications:

- Cutting grass, weeds, and light undergrowth (all models)
- Edging along sidewalks and driveways (all models)
- Cutting pulpy weeds, vines, and light brush (Model No. 51990A)

Mixing the Fuel

⚠ DANGER:

Gasoline is extremely flammable and explosive. A fire or explosion from gasoline will burn you and others.

This product is powered by a 2-cycle engine and requires pre-mixing gasoline and 2-cycle oil. The oil mix should be 50:1, using oil that meets or exceeds JASO-FC specifications.

Follow these steps to mix the fuel.

1. Obtain a clean container that is approved for use with gasoline.
2. Mix the 2-cycle engine oil provided with unleaded gasoline in the container, according to the instructions on the oil carton.

Important: This engine is certified to operate on unleaded gasoline intended for automotive use with an octane rating of 87 ($(R + M) / 2$) or higher. Do not use automotive oil or 2-cycle outboard oil. Store the container out of the reach of children.

50:1 Gasoline to Oil Mixing Chart

Gasoline	Oil
1/2 US gallon	1.3 oz.
1 US gallon	2.6 oz.
2 US gallons	5.2 oz.
1 liter	20 ml
2 liters	40 ml
3 liters	60 ml
4 liters	80 ml
5 liters	100 ml



Filling the Tank

⚠ WARNING:

Always stop the engine before filling the tank. Never add fuel to a machine with a running or hot engine. Move at least 30 ft. (9 m) away from the refueling site before starting the engine. Do not smoke while filling the tank.

Follow these steps to fill the tank.

1. Clean the surface around the fuel cap to prevent contamination.
2. Loosen the fuel cap by turning it counterclockwise.
3. Pour the fuel mixture carefully into the tank.
4. Clean and inspect the gasket.
Note: Replace the fuel cap if the gasket is damaged.
5. Install the fuel cap and tighten it by turning it clockwise.

⚠ WARNING:

Check for fuel leaks. If you find any leaks, correct the problem before using the product.

6. Wipe spilled fuel from the product.
7. Move at least 30 ft. (9 m) away before starting the product.
Note: It is normal for the engine to emit smoke during use.

⚠ WARNING:

The product may throw objects during operation, causing injury to the operator or to bystanders. Always wear suitable eye protection, long heavy pants, and boots while operating the product.

Starting/Stopping the Product

See Figure 14a, Figure 14b, Figure 14c and Figure 15.

To start an engine that is cold or has run dry:

1. Fill the fuel tank, if necessary. Always use the proper oil/gasoline mixture. See “Mixing the Fuel” on page 17.
2. Place the engine switch in the **RUN** (I) position.
Note: Do not engage the throttle lever during the starting process.
3. Slowly push the primer bulb seven times.
Note: If restarting a warm engine, do not push the primer bulb.
4. Set the start lever to the **START** position.
Note: If restarting a warm engine, leave the choke in the **RUN** position.
5. Pull the starter cord until the engine runs.
6. Return the starter cord gently to the starter housing. Do not allow the rope to snap back.
7. Allow the engine to run for 15 seconds to warm up before using.
8. Engage the throttle lever to operate.

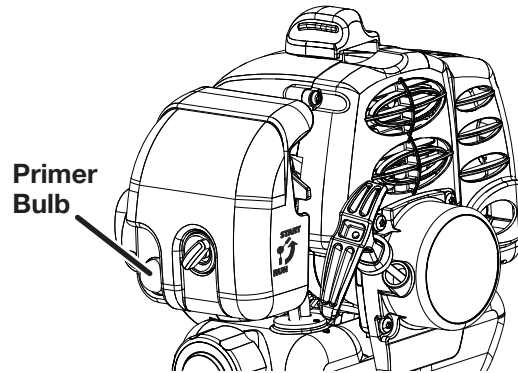


Figure 14b

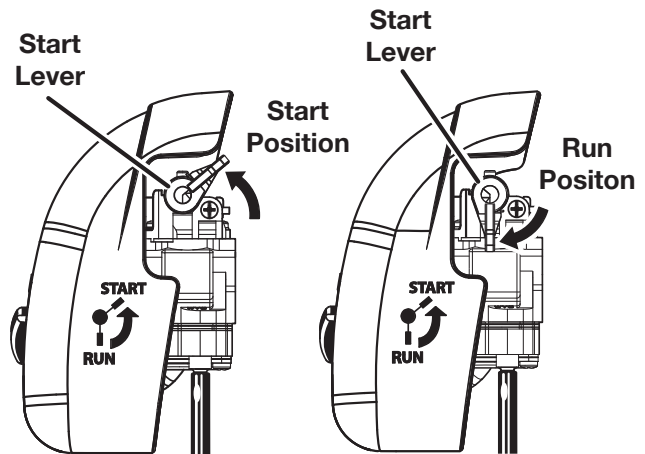


Figure 14c

Stopping the Product

See Figure 15.

1. Release the throttle lever.
2. Move the engine switch to the **OFF** (O) position.

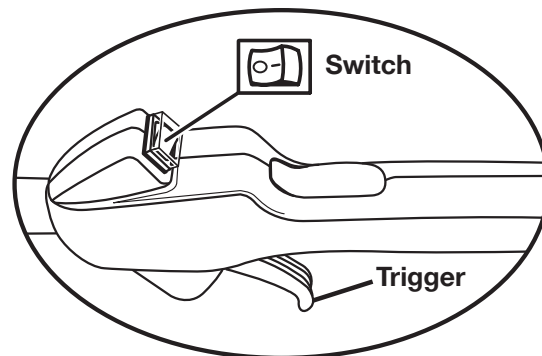


Figure 15

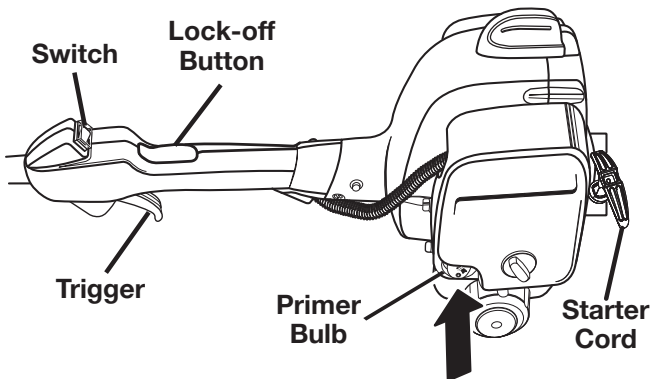


Figure 14a

Operating the Trimmer

Operating the trimmer differs, depending on whether you are using the curved shaft trimmer or the straight shaft trimmer.

⚠ WARNING:

Always hold the string trimmer away from the body, keeping clearance between the body and the product. Any contact with the housing or string trimmer cutting head can result in burns and/or other serious personal injury.

To Operate the Curved Shaft Trimmer (Model No. 51950A)

See Figure 16a.

Follow these steps to operate the curved shaft trimmer.

1. Start the trimmer.
2. Hold the trimmer at waist level with your right hand on the trigger handle and your left hand on the front handle.
3. Place the product on the right side of your body with the engine behind and away from your body.
4. Trim grass and weeds in a right-to-left motion with the line parallel to the ground.

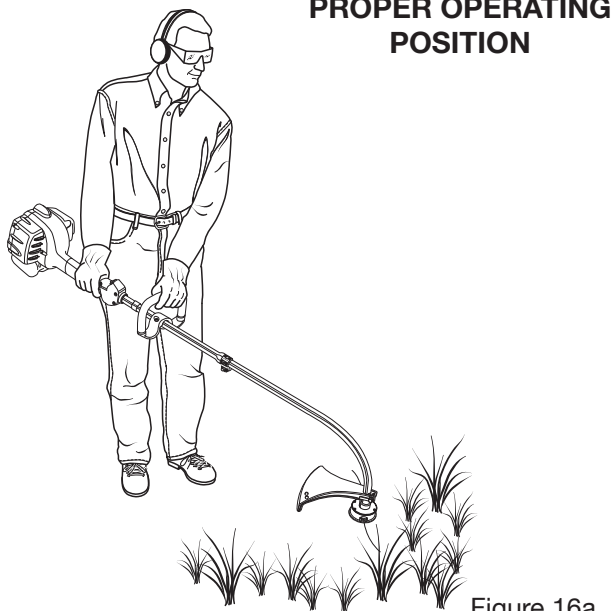


Figure 16a

To Operate the Straight Shaft Trimmer (Model No. 51970A)

See Figure 16b.

Follow these steps to operate the straight shaft trimmer.

1. Start the trimmer.
2. Hold the trimmer at waist level with your right hand on the trigger handle and your left hand on the front handle.
3. Place the product on the right side of your body with the engine behind and away from your body.
4. Trim grass and weeds in a left-to-right motion with the line parallel to the ground.



Figure 16b

To Advance the Cutting Line

See Figure 16c.

Follow these steps to advance the cutting line.

1. Start the trimmer.
2. Tap the retaining cap lightly on the ground while the motor is running. The line will only advance with the engine at full throttle. **Do not hold the retaining cap on the ground.**

Note: The line cutting blade on the grass deflector will cut the line to the proper length.

Note: To help prevent line tangle, tap only once to lengthen the line. If additional line is required, wait a few seconds before retapping the retaining cap. Do not allow the line to wear too short. Keep the cutting line at full length.

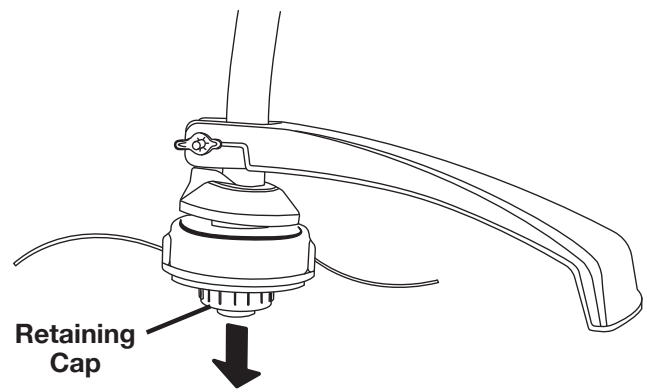


Figure 16c

Operating the Brushcutter (Model No. 51990A)

See Figure 17.

Follow these steps to operate the brushcutter.

1. Start the brushcutter.
2. Hold the brushcutter at waist level with your right hand (arm extended) on the trigger handle and your left hand on the front handle.
3. Place the product on the right side of your body with the engine behind and away from your body.
4. Brushcut weeds and vines in a right-to-left motion with the blade parallel to the ground.

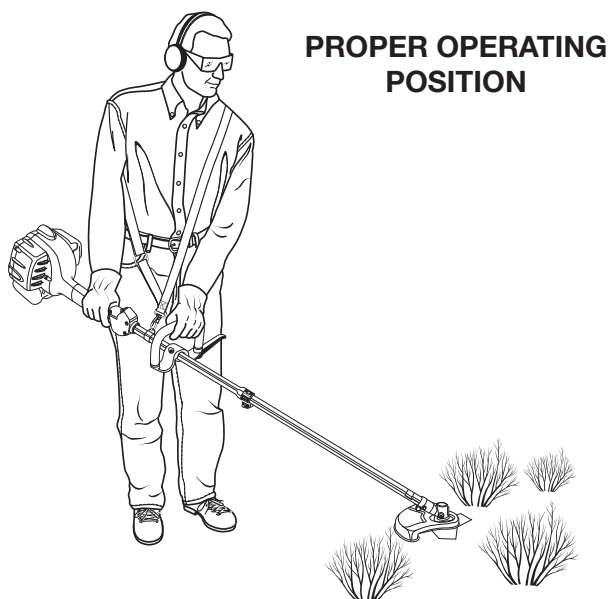


Figure 17

Cutting Tips

See Figures 18 and 19.

1. Avoid hot surfaces by always keeping the tool away from your body. (Proper operating position is shown in Figures 16a, 16b and 17.)
2. Keep the trimmer tilted toward the area being cut; this is the best cutting area.
3. The curved shaft trimmer cuts when passing the unit from right to left. The straight shaft trimmer cuts when passing the unit from left to right. This will avoid throwing debris at the operator. Avoid cutting in the dangerous area shown in figures 18 and 19.
4. Use the tip of string to do the cutting; do not force string head into uncut grass.
5. Wire and picket fences cause extra string wear, even breakage. Stone and brick walls, curbs and wood may wear string rapidly.
6. Avoid trees and shrubs. Tree bark, wood moldings, siding and fence posts can easily be damaged by the string.

Curved Shaft Trimmer

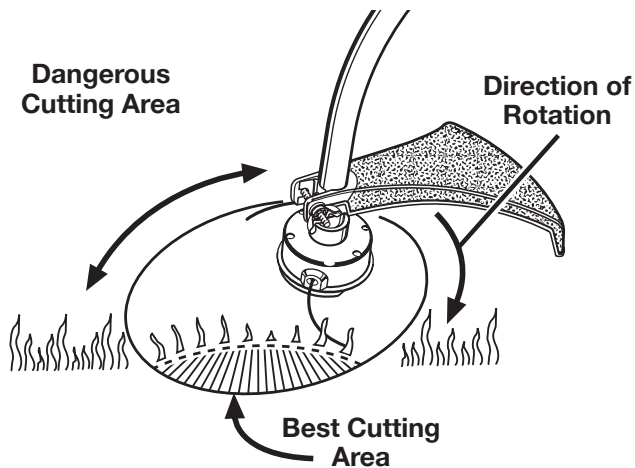


Figure 18

Straight Shaft Trimmer

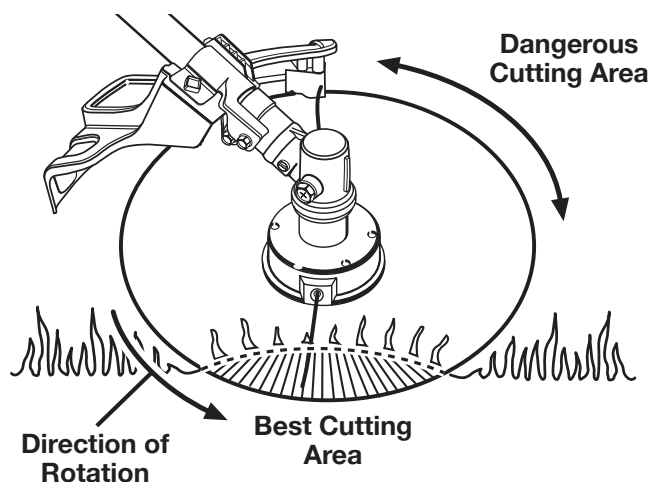


Figure 19

Maintenance

Emissions Maintenance Schedule

Maintenance, replacement, or repair of the emission control device and systems may be performed by any non-road engine repair establishment or individual.

Emission Part	Inspect before each use	Clean every 5 hours	Replace every 25 hours or yearly	Clean every 25 hours or yearly
Fuel Tank Assembly (Includes Fuel Lines, Fuel Cap, and Fuel Filter)	X			
Air Filter		X	X	
Spark Arrester				X
Spark Plug			X	

WARNING:

When servicing, use only Toro replacement parts. Use of any other parts may create a hazard or cause product damage.

Cleaning the Product

- Stop the product before cleaning.
- Clean the exterior of the product with a damp cloth.
- Avoid using solvents when cleaning plastic parts. Most plastics are susceptible to damage from various types of commercial solvents and may be damaged by their use.
- Wipe or scrape the trimmer head and spool area when they accumulate dirt or clippings.
- Scrape debris away from air intake vents on both sides of the motor housing.

CAUTION:

Keeping air intake vents free of grass and debris prevents motor overheating and possible failure.

Note: Depending on the type of fuel used, the type and amount of oil used, and/or your operating conditions, the exhaust port and muffler may become blocked with carbon deposits. If you notice a power loss with your gas powered tool, you may need to remove these deposits to restore performance. We highly recommend that only qualified service technicians perform this service.

Servicing the Product

- Check and tighten all fasteners. If any part is damaged or lost, repair it or replace it.

Replacing the Cutting Line

See Figures 20 and 21.

WARNING:

Use of line other than the proper monofilament cutting line could cause personal injury.

Follow these steps to replace the cutting line.

1. Stop the trimmer.

WARNING:

Make sure the trimmer head stops rotating. Contact with a rotating trimmer head could cause personal injury.

2. Remove the spark plug boot. See Figure 24.
3. Remove the retaining cap.
4. Remove the empty spool.
5. Clean the trimmer head thoroughly. Inspect the trimmer head for any damaged or worn parts.
6. Hold the spool with the spring positioned upward.
7. Insert the end of the new line into the hole in the upper threaded area of the spool.
8. Wind the line around the spool as indicated by the arrows on the top of the spool until the line reaches the edge of the spool. **Do not wind the line beyond the edge of the inner ring.**
9. Secure the line temporarily by pushing it into one of the slotted tabs on the spool.
10. Measure six inches of line from the slotted tab and cut the line at that point.

11. Repeat the process for the lower threaded area of the spool, winding the line and securing it in the slotted tab opposite the first secured line.
12. Insert the lines into the eyelets on the trimmer head.
13. Place the spool on the drive shaft.
 Note: To install the spool, you may need to rotate it slightly. If the line should tangle or break at the eyelet, remove the spool, refeed the line through the eyelets, and reassemble the spool on the trimmer.
14. Release the lines from the tabs by sharply pulling each line.
15. Push down on the spool to reveal the threads inside the drive shaft.
16. Thread the retaining cap on the drive shaft.
17. Secure the retaining cap.

⚠ WARNING:
 An improperly installed retaining cap or spool could fly off the trimmer. Contact with a thrown retaining cap or spool could cause personal injury.

18. Replace the spark plug boot. *See Figure 24.*

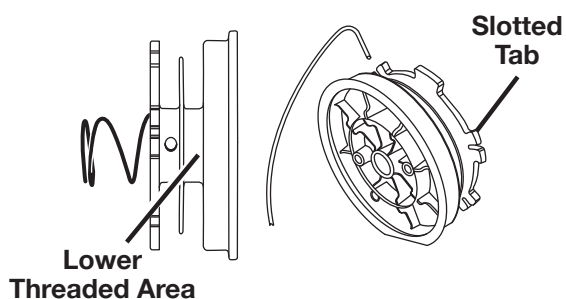
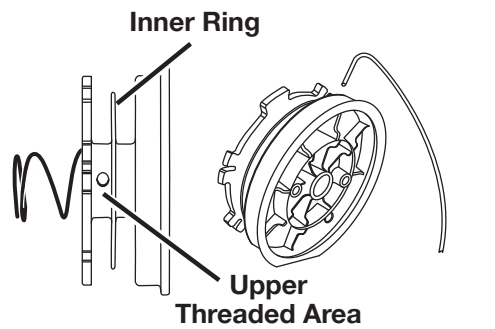


Figure 20

Replacing the Spool

See Figure 21.

Note: For best performance, use only Toro spools (Part No. AR04118). The spool may wear during normal use of the line advance feature and may require occasional replacement. Replacement spools are available through your Toro retailer.

Follow these steps to replace the spool.

1. Stop the trimmer.

⚠ WARNING:
 Make sure the trimmer head stops rotating when you release the trigger. Contact with a rotating trimmer head could cause personal injury.

2. Remove the spark plug boot. *See Figure 24.*
3. Remove the retaining cap by turning as indicated by the arrow on the cap.
4. Remove the empty spool.
5. Clean the trimmer head thoroughly. Inspect the trimmer head for any damaged or worn parts.
6. Remove the lines from the slotted tabs on the spool and unwind approximately six inches.
7. Secure the lines temporarily by pushing them into the slotted tabs on the spool.
8. Insert the lines of the new spool into the eyelets on the trimmer head.
9. Place the spool on the drive shaft.

Note: To install the spool, you may need to rotate it slightly.

Note: If the line should tangle or break at the eyelet, remove the spool, refeed the line through the eyelets, and reassemble the spool on the trimmer.

10. Release the lines from the tabs by sharply pulling each line.
11. Push down on the spool to reveal the drive shaft.
12. Thread the retaining cap on the drive shaft.
13. Secure the retaining cap.
14. Replace the spark plug boot. *See Figure 24.*

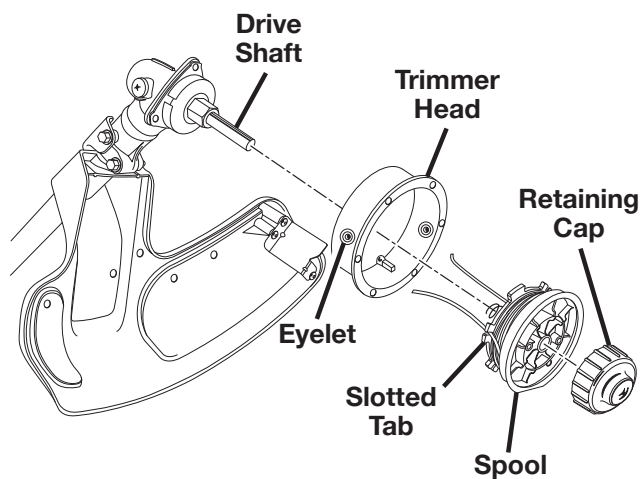


Figure 21

Checking the Fuel Cap

WARNING:

A leaking fuel cap is a fire hazard and must be replaced immediately.

The fuel cap contains a non-serviceable filter and check valve. A clogged fuel filter causes poor engine performance. If performance improves when the fuel cap is loosened, the check valve may be faulty or the filter may be clogged. Replace the fuel cap if necessary.

Cleaning the Air Filter

See Figure 22.

Clean the air filter as indicated by the maintenance schedule. Follow these steps to clean the air filter.

1. Stop the trimmer.

WARNING:

Make sure the trimmer head stops rotating when you release the trigger. Contact with a rotating trimmer head could cause personal injury.

2. Remove the spark plug boot.
3. Loosen the air filter cover by turning the knob counter-clockwise.
4. Remove the air filter cover.
5. Remove the air filter.
6. Clean the air filter with warm soapy water.
7. Rinse the air filter and let it dry completely.
8. Work two drops of oil into the air filter.
9. Replace the air filter (fits only one way).
10. Replace the air filter cover.
11. Tighten the air filter cover by turning the knob clockwise.
12. Replace the spark plug boot.

Note: Replace the air filter (Part No. 88048) as indicated by the maintenance schedule.

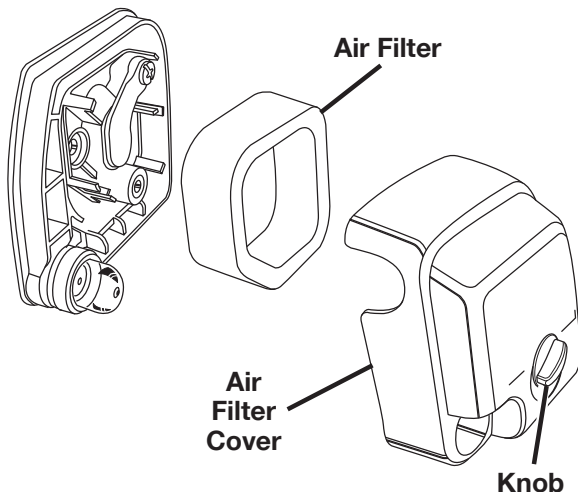


Figure 22

Replacing the Spark Arrester

See Figure 23.

The spark arrester may need to be replaced after repeated use. If replacement is necessary, use Toro part number 986179001.

To replace the spark arrester:

1. Remove the five screws that hold the cover.
Note: Removing these screws requires the use of a T20 and T25 torx screwdriver.
2. Remove the cover.
3. Remove the muffler assembly and muffler gasket. It may be necessary to work the muffler assembly free from the muffler gasket.
4. Remove the three screws that hold the plates on the muffler.
5. Remove the spark arrester.
6. Replace the old spark arrestor with the new one.
7. Reassemble the muffler by reinstalling the plates and tightening the three screws.
8. Reassemble the muffler and muffler cover and attach to the muffler gasket with the two screws.
9. Reinsert the muffler assembly.
10. Reinstall the cover on the tool and fasten with the five screws.

Note: Do not overtighten screws.

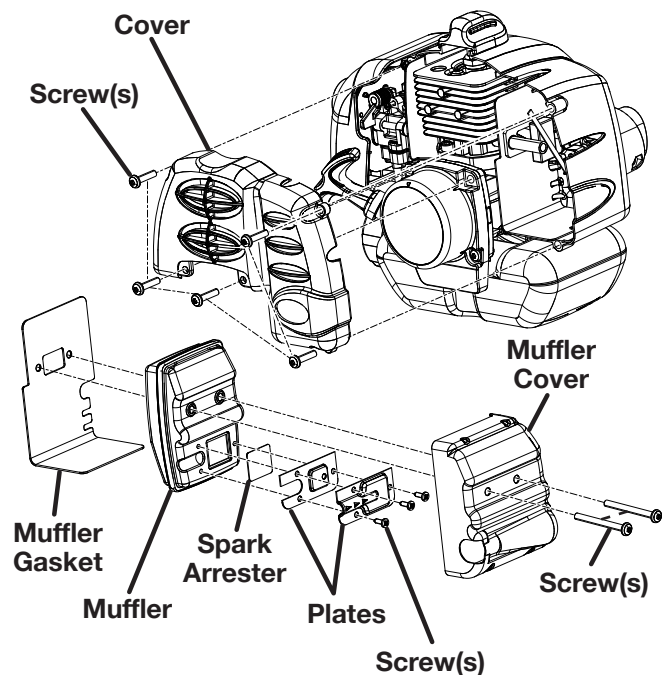


Figure 23

Replacing the Spark Plug

See Figure 24.

All model numbers included in this manual use an NGK BPMR7A or Champion RCJ-6Y spark plug. Use an exact replacement and replace annually.

1. Remove the spark plug boot.
2. Loosen the spark plug by turning it counterclockwise with a socket.
3. Remove the spark plug.
4. Hand thread the new spark plug, turning it clockwise.
5. Tighten with a socket and torque to 170 in.lb. minimum, 190 in.lb. maximum. **Do not over tighten.**



CAUTION:

Be careful not to cross-thread the spark plug. Cross-threading will seriously damage the product.

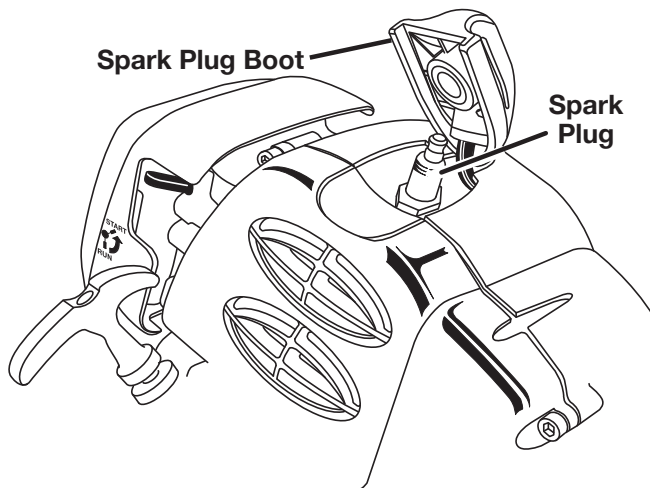


Figure 24

Storing the Product

Storing the product differs depending on the amount of time it will be in storage.

Note: If the product includes another attachment, place the storage cap on the end of the attachment shaft and hang it up to store.

To Store the Product Short Term

Follow these steps to store the product short term.

1. Clean all foreign material from the product.
2. Store the product in a well-ventilated place that is inaccessible to children.

To Store the Product Long Term

If you do not intend to use the product for more than one month, follow the storage procedures below.

Follow these steps to store the product long term.

1. Drain all of the fuel from the tank into a container approved for gasoline.
2. Run the engine until it stops.
3. Clean all foreign material from the product.
4. Store the product in a well-ventilated place that is inaccessible to children.

Note: Keep the product away from corrosive agents such as garden chemicals and de-icing salts.

Important: Abide by all federal and local regulations for the safe storage and handling of gasoline.

Transporting the Product

Follow these steps to transport the product.

1. Drain the fuel mixture into a container that is approved for use with gasoline.
2. Carry the product by the front handle.
3. Secure the product in your vehicle or on a trailer.

Troubleshooting

Problem	Possible Cause	Solution
Engine will not start	<ol style="list-style-type: none"> 1. Switch set to the O (OFF) position. 2. No spark 3. No fuel 4. Flooded engine 5. Starter cord pulls harder now than when new 	<ol style="list-style-type: none"> 1. Set switch to the I (ON) position. 2. Remove the spark plug. Reattach the spark plug cap and lay the spark plug on the metal cylinder. Pull the starter cord and watch for a spark at the spark plug tip. If there is no spark, repeat the test with a new spark plug. 3. Push primer bulb until the bulb is full of fuel. If the bulb does not fill, the primary fuel delivery system is blocked. If the primer bulb fills, the engine may be flooded. (See next item.) 4. Remove the spark plug. Turn the product so that the spark plug hole is aimed at the ground. Make sure the start lever is set to RUN and pull the starter cord 10 to 14 times. This clears excess fuel from the engine. Clean and reinstall the spark plug. With the trigger fully depressed, pull the starter cord 3 times. If the engine does not start, set the start lever to START and follow normal starting instructions. If the engine still fails to start, repeat the procedure with a new spark plug. 5. Contact an authorized service dealer.
Engine does not reach full speed and emits excessive smoke	<ol style="list-style-type: none"> 1. Check oil fuel mixture 2. Air filter is dirty 3. Spark arrestor screen is dirty 	<ol style="list-style-type: none"> 1. Use fresh fuel and the correct 2-cycle oil mix. 2. Clean the air filter. 3. Clean the spark arrestor.
Line will not advance when using automatic line lengthening	<ol style="list-style-type: none"> 1. Line welded to itself 2. Not enough line on the spool 3. Line worn too short 4. Line tangled on spool 5. Engine speed too slow 	<ol style="list-style-type: none"> 1. Lubricate with silicone spray. 2. Install more line. 3. Pull line while alternately pressing down on and releasing the retaining cap. 4. Remove line from spool and rewind. 5. Advance line at full throttle.
Retaining cap hard to turn when using automatic line lengthening	Screw threads are dirty or damaged	Clean the threads and lubricate with grease. If this does not solve the problem, replace the retaining cap.
Grass wraps around the trimmer head assembly and the attachment shaft	<ol style="list-style-type: none"> 1. Cutting tall grass at ground level 2. Operating the product at part throttle 	<ol style="list-style-type: none"> 1. Cut tall grass from the top down. 2. Operate the product at full throttle.
Oil drips from muffler	<ol style="list-style-type: none"> 1. Operating the product at part throttle 2. Check oil/fuel mixture 3. Air filter is dirty 	<ol style="list-style-type: none"> 1. Operate the product at full throttle. 2. Use fresh fuel and the correct 2-cycle oil mix. 3. Clean the air filter.

Warranty

OWT Industries, Inc. Gas Trimmer Products Limited Warranty

OWT INDUSTRIES, INC. warrants to the original retail purchaser that this Gas Trimmer Product is free from defects in material and workmanship and agrees to repair or replace, at our option, any defective Product free of charge within these time periods from the date of purchase:

- Two years for Gas Trimmer Products, if the Product is used for personal, family, or household use;
- 90 days, if Gas Trimmer Products are used for any other purpose, such as commercial or rental.
- Two years for emissions control systems on Gas Trimmer Products used for any purpose, as provided below.

Except as provided in the Emission Control Warranty Statement, this warranty extends to the original retail purchaser only and commences on the date of original retail purchase.

Instructions for Obtaining Warranty Service

Any part of the Product manufactured or supplied by OWT Industries, Inc. and found in the reasonable judgement of OWT, Industries, Inc. to be defective in material or workmanship will be repaired or replaced by an authorized service dealer for this product without charge for parts and labor. To locate your nearest authorized service dealer for this product, contact us toll free at 1-866-574-9242 (US) or 1-866-574-9243 (Canada).

The Product, including any defective part, must be returned to an authorized service dealer within the warranty period. The expense of delivering the Gas Trimmer Product to the service dealer for warranty work and the expense of returning it back to the owner after repair or replacement will be paid for by the owner. OWT Industries, Inc.'s responsibility in respect to claims is limited to making the required repairs or replacements and no claim of breach of warranty shall be cause for cancellation or rescission of the contract of sale of any Product. Proof of purchase will be required by the dealer to substantiate any warranty claim. All warranty work must be performed by a service dealer authorized by OWT Industries, Inc. to service this product.

This warranty does not cover any Gas Trimmer Product that has been subject to misuse, neglect, negligence, or accident, or that has been operated in any way contrary to the operating instructions as specified in the operator's manual. This warranty does not apply to any damage to the Gas Trimmer Product that is the result of improper maintenance or to any Gas Trimmer Product that has been altered or modified so as to adversely affect the products operation, performance or durability or that has been altered or modified so as to change its intended use. The warranty does not extend to repairs made necessary by normal wear or by the use of parts or accessories which are either incompatible with the Gas Trimmer Product or adversely affect its operation, performance or durability.

In addition, this warranty does not cover:

- A. Tune-ups – Spark Plugs, Carburetor Adjustments, Filters
- B. Wear Items – Bump Knobs, Outer Spools, Cutting Lines, Inner Reels, Starter Pulley, Starter Ropes, Drive Belts, Tines, Felt Washers, Hitch Pins, Mulching Blades, Blower Fans, Blower and Vacuum Tubes, Vacuum Bag and Straps, Guide Bars, Saw Chains

OWT Industries, Inc. reserves the right to change or improve the design of any Gas Trimmer Product without assuming any obligation to modify any product previously manufactured.

ALL IMPLIED WARRANTIES ARE LIMITED IN DURATION TO THE STATED WARRANTY PERIOD. ACCORDINGLY, ANY SUCH IMPLIED WARRANTIES INCLUDING MERCHANTABILITY, FITNESS FOR A PARTICULAR PURPOSE, OR OTHERWISE, ARE DISCLAIMED IN THEIR ENTIRETY AFTER THE EXPIRATION OF THE APPROPRIATE TWO-YEAR OR NINETY DAY WARRANTY PERIOD. OWT INDUSTRIES INC.'S OBLIGATION UNDER THIS WARRANTY IS STRICTLY AND EXCLUSIVELY LIMITED TO THE REPAIR OR REPLACEMENT OF DEFECTIVE PARTS AND OWT DOES NOT ASSUME OR AUTHORIZE ANYONE TO ASSUME FOR THEM ANY OTHER OBLIGATION. SOME STATES DO NOT ALLOW LIMITATIONS ON HOW LONG AN IMPLIED WARRANTY LASTS, SO THE ABOVE LIMITATION MAY NOT APPLY TO YOU.

OWT INDUSTRIES INC. ASSUMES NO RESPONSIBILITY FOR INCIDENTAL, CONSEQUENTIAL OR OTHER DAMAGES INCLUDING, BUT NOT LIMITED TO EXPENSE OF RETURNING THE GAS TRIMMER PRODUCT TO A GAS TRIMMER AUTHORIZED SERVICE DEALER AND EXPENSE OF DELIVERING IT BACK TO THE OWNER, MECHANIC'S TRAVEL TIME, TELEPHONE OR TELEGRAM CHARGES, RENTAL OF A LIKE PRODUCT DURING THE TIME WARRANTY SERVICE IS BEING PERFORMED, TRAVEL, LOSS OR DAMAGE TO PERSONAL PROPERTY, LOSS OF REVENUE, LOSS OF USE OF THE PRODUCT, LOSS OF TIME, OR INCONVENIENCE. SOME STATES DO NOT ALLOW THE EXCLUSION OR LIMITATION OF INCIDENTAL OR CONSEQUENTIAL DAMAGES, SO THE ABOVE LIMITATION OR EXCLUSION MAY NOT APPLY TO YOU.

This warranty gives you specific legal rights, and you may also have other rights, which vary, from state to state.

This product is manufactured under license from The Toro Company by OWT Industries, Inc.

Warranty

FEDERAL AND CALIFORNIA EMISSION CONTROL WARRANTY STATEMENT YOUR WARRANTY RIGHTS AND OBLIGATIONS

OWT Industries, Inc. specifically warrants the emissions control system of this Gas Trimmer Product in accordance with the California and Federal legal requirements described below:

OWT Industries, Inc. warrants to the original retail purchasers and subsequent purchasers that the nonroad engine included with this product has been designed, built and equipped, at the time of sale, to comply with applicable EPA regulations, and that the engine is free from defects in material and workmanship that would cause it to fail to conform with the applicable regulations for its warranty period.

The following CARB statement applies to all models

The California Air Resources Board (CARB), and OWT Industries, Inc. are pleased to explain the Emission Control System Warranty on your nonroad or small off-road engine. In California, new small off-road engines must be designed, built and equipped to meet the state's stringent anti-smog standards. OWT Industries, Inc. must (and does) warrant the emission control system on your nonroad or small off-road engine for the period of time listed above provided there has been no abuse, neglect, or improper maintenance of your nonroad or small off-road engine.

Your emission control system may include parts such as the carburetor or fuel injection system, the ignition system, the catalytic converter. Also included may be hoses, belts, and connectors and other emission related assemblies.

Where a warrantable condition exists, OWT Industries, Inc. will repair your nonroad or small off-road engine at no cost to you, including diagnosis (if the diagnostic work is performed at an authorized dealer), parts, and labor.

Manufacturer's Warranty Coverage

The 1995 and later small off-road engines are warranted for two years in California from original date of purchase. If any emission-related part on your engine is defective, the part will be repaired or replaced by OWT Industries, Inc. free of charge.

Owner's Warranty Responsibilities

As the non-road or small off-road engine owner, you are responsible for the performance of the required maintenance listed in your owner's manual. OWT Industries, Inc. recommends that you retain all receipts covering maintenance on your non-road or small off-road engine, but OWT Industries, Inc. cannot deny warranty solely for the lack of receipts or for your failure to ensure the performance of all scheduled maintenance.

As the non-road or small off-road engine owner, you should however, be aware that OWT Industries, Inc. may deny you warranty coverage if your non-road or small off-road engine or a part has failed due to abuse, neglect, improper maintenance or unapproved modifications.

You are responsible for presenting your nonroad or small off-road engine to an OWT Industries, Inc distribution center or authorized service center as soon as a problem exists. The warranty repairs should be completed in a reasonable amount of time, not to exceed 30 days.

If you have any questions regarding your warranty rights and responsibilities, you should contact an OWT Industries, Inc., Customer Representative at 1-866-574-9242 (US) or 1-866-574-9243 (Canada)

Emission-related warranted parts for this product include: Carburetor, Spark Plug, Ignition, Air Filter and Fuel Filter.

Maintenance Requirements

The owner is responsible for the performance of the required maintenance as defined by OWT Industries, Inc. in the owner's manual.

Limitations

The Emission Control Systems Warranty shall not cover any of the following:

- a) repair or replacement required because of misuse or neglect, lack of required maintenance, repairs improperly performed or replacements not conforming to OWT Industries, Inc. specifications that adversely affect performance and/or durability, and alterations or modifications not recommended or approved in writing by OWT Industries, Inc., and
- b) replacement of parts and other services and adjustments necessary for required maintenance at and after the first scheduled replacement point.

The Emissions Compliance Period referred to on the Emissions Compliance label indicates the number of operating hours for which the engine has been shown to meet Federal emission requirements. Category C=50 hours, B=125 hours, and A=300 hours.

Warranty

THIS PRODUCT WAS MANUFACTURED WITH A CATALYST MUFFLER

Congratulations! You have made an investment toward protecting the environment. In order to maintain this product's original emission level, please refer to the maintenance section below.

EMISSIONS MAINTENANCE SCHEDULE AND WARRANTED PARTS LIST					
Emissions Parts	Inspect Before Each Use	Clean Every 5 Hours	Replace Every 25 Hours or Yearly	Clean Every 25 Hours or Yearly	Replace Every 50 Hours
CATALYTIC MUFFLER ASSEMBLY					X
AIR FILTER ASSY					
includes:					
Filter		X	X		
SPARK SCREEN					X
CARBURETOR ASSY					
includes:					
Heat Dam					
Gaskets					
FUEL TANK ASSY					
includes:					
Fuel Lines			X		
Fuel Cap			X		
Fuel Filter					
IGNITION ASSY					
includes:					
Spark Plug			X		

ALL EMISSIONS RELATED PARTS ARE WARRANTED FOR TWO YEARS OR FOR THE PERIOD OF TIME PRIOR TO THE PARTS FIRST SCHEDULED REPLACEMENT WHICHEVER COMES FIRST.



CALL US FIRST

For any questions about operating or maintaining your product, call the Toro® Help Line!

Your product has been fully tested prior to shipment to ensure your complete satisfaction.



Customer Service Information

If your product requires service or maintenance, contact your nearest authorized service dealer. To locate your nearest authorized service dealer for this product, contact us toll free at 1-866-574-9242 (US) or 1-866-574-9243 (Canada).

OWT Industries, Inc.

P.O. Box 35
Highway 8
Pickens, SC 29671
USA



Taille-bordures / débroussailleuse

Modèle No. 51950A—250000001 et suivants

Modèle No. 51970A—250000001 et suivants

Modèle No. 51990A—250000001 et suivants



Manuel d'utilisation



AVERTISSEMENT :

Pour réduire les risques de blessures, l'utilisateur doit lire et veiller à bien comprendre le manuel d'utilisation. Conserver ce manuel.



INFORMATIONS IMPORTANTES

Avant d'utiliser ce taille-bordures/débroussailleuse pour la première fois, lire les conseils utiles ci-dessous.

Approvisionnement en carburant

DANGER :

L'essence est extrêmement inflammable et explosive. Un incendie ou une explosion d'essence infligerait des brûlures à l'opérateur et aux autres personnes présentes.

1. Se procurer un bidon ou jerrycan approuvé pour l'essence.
2. Mélanger la totalité du flacon d'huile moteur 2 à 4 litres (1 gallon) d'essence sans plomb à 87 octanes.
3. Remplir le réservoir du taille-bordures avec précaution.

Démarrage à froid et à chaud

En cas d'incertitude en ce qui concerne la température du moteur avant de redémarrer le taille-bordures / la débroussailleuse, mettre le levier de volet de départ en position de **RUN [MARCHÉ]** (volet ouvert) et tirer le cordon du lanceur. Si le moteur ne démarre pas après avoir tiré 5 fois sur le cordon, consulter la section « Démarrage d'un moteur froid », plus loin dans ce manuel.

Moteur noyé

Le moteur démarre-t-il ? S'il ne démarre pas, il peut être noyé. Ne pas s'inquiéter, ce problème peut facilement être corrigé. Mettre le levier du volet de départ en position de **RUN [MARCHÉ]** (volet ouvert). Appuyer sur la gâchette et tirer le cordon du lanceur rapidement 10 à 12 fois. Si le moteur ne démarre pas, voir la section « Dépannage », plus loin dans ce manuel, ou composer sans frais le 1-866-574-9242 (États-Unis) ou le 1-866-574-9243 (Canada).



Pour toute question concernant le taille-bordures / débroussailleuse, nous contacter gratuitement au 1-866-574-9242.


 AVERTISSEMENT : Les gaz d'échappement de ce produit contiennent des produits chimiques connus de l'état de Californie pou causer le cancer, des malformations congénitales et d'autres troubles de l'appareil reproducteur.

Table des matières

Introduction.....	4
Règles de sécurité	5-6
Symboles.....	6-7
Autocollants	8
Caractéristiques.....	9-11
Fiche technique.....	9
Assemblage.....	13-16
Déballage.....	12
Montage de l'accessoire sur l'arbre supérieur.....	13
Retrait de l'accessoire de l'arbre supérieur.....	13
Installation de la poignée avant.....	13
Installation de la bandoulière.....	13
Installation du déflecteur d'herbe.....	14
Conversion de débroussailleuse en taille-bordures.....	15
Conversion de taille-bordures en débroussailleuse.....	16
Utilisation.....	17
Applications.....	17
Mélange du carburant.....	17
Remplissage du réservoir.....	17
Démarrage.....	18
Arrêt.....	18
Utilisation du taille-bordures.....	19
Utilisation de la débroussailleuse.....	20
Entretien.....	21
Programme d'entretien du système antipollution.....	21
Nettoyage.....	21
Maintenance.....	21
Remplacement de la ligne de coupe.....	21-22
Remplacement de la bobine.....	22
Vérification du bouchon du réservoir de carburant.....	23
Nettoyage du filtre à air.....	23
Nettoyage de l'écran pare-étincelles.....	23
Remplacement de la bougie.....	24
Remisage.....	24
Transport.....	24
Dépannage.....	25
Garantie.....	26-27

Introduction

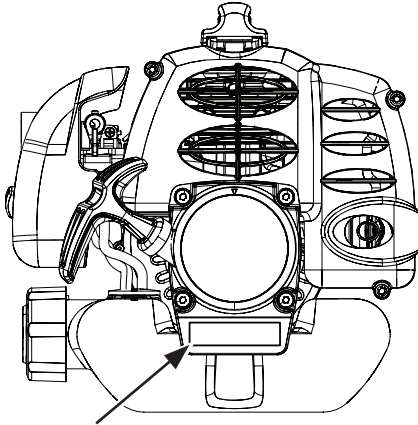
Merci d'avoir acheté un produit Toro.

Nous tenons à ce que vous soyez entièrement satisfait de votre nouveau produit. N'hésitez donc pas à contacter un concessionnaire réparateur agréé pour tout ce qui concerne l'entretien et le dépannage, la commande de pièces détachées ou tout renseignement qui pourrait vous être utile.

Lors de tout contact avec un concessionnaire agréé, veiller à disposer des numéros de modèle et de série du produit. Ces numéros aideront le représentant de service à fournir des informations exactes sur le produit particulier. L'autocollant de numéros de modèle et de série est apposé sur le boîtier du moteur.

Pour plus de commodité, noter le numéro de série dans l'espace ci-dessous.

No. de modèle	
No. de série	



N° de modèle et n° de série

Lire ce manuel attentivement pour apprendre à utiliser et entretenir le produit correctement. La lecture de ce manuel aidera à protéger l'opérateur et les autres personnes présentes contre les risques de blessures et à éviter des dommages au produit. Bien que les outils conçus, fabriqués et commercialisés soient des produits de la plus haute qualité, étudiés pour offrir une sécurité maximum, il incombe à leurs propriétaires de les utiliser correctement et en toute sécurité. Il incombe également au propriétaire de l'outil d'instruire les personnes autorisées à l'utiliser au sujet de la sécurité d'utilisation.

Tout au long de ce manuel, Toro utilise un système d'identification des dangers potentiels et des messages de sécurité destinés à permettre à l'opérateur et aux personnes présentes d'éviter des risques de blessures graves, voire mortelles. Les termes DANGER, AVERTISSEMENT et ATTENTION sont utilisés pour indiquer le niveau de risque. Toutefois, quel que soit le niveau de risque, la plus extrême prudence est de rigueur. Deux autres termes, « Important » et « Remarque », sont destinés à attirer l'attention sur des informations importantes.

Terme signal	Explication
DANGER	Indique une situation extrêmement dangereuse qui, si elle n'est pas évitée, aura pour conséquences des blessures graves ou mortelles.
AVERTISSEMENT	Indique une situation potentiellement dangereuse qui, si elle n'est pas évitée, pourrait entraîner des blessures graves ou mortelles.
ATTENTION	Indique une situation potentiellement dangereuse qui, si elle n'est pas évitée, pourrait entraîner des blessures légères ou de gravité modérée. Ce terme peut également être employé pour avertir l'utilisateur de pratiques dangereuses pouvant causer des dommages matériels.
Important	Un message intitulé Important contient des informations ou instructions vitales pour l'utilisation ou l'entretien du matériel.
Remarque	Une remarque contient des informations ou instructions supplémentaires concernant l'utilisation ou l'entretien du matériel.

Règles de sécurité



AVERTISSEMENT :

Lire et veiller à bien comprendre toutes les instructions. Le non respect de toutes les instructions ci-dessous peut entraîner des blessures graves et des dommages au produit.

Ce produit a été conçu et fabriqué pour être conforme ou supérieur aux exigences de sécurité pour taille-bordures et débroussailleuses motorisés de la norme ANSI B175.3 actuellement en vigueur.

- **Condition physique de l'opérateur.** Ne pas utiliser ce produit en état de fatigue ou sous l'influence de l'alcool, de drogues ou de médicaments.
- **Vêtements.** Toujours porter des pantalons longs, des chaussures de travail et des gants. Ne pas porter de vêtements amples, bijoux, shorts, sandales et ne pas travailler pieds nus. Attacher les cheveux longs pour les maintenir au-dessus des épaules, afin qu'ils ne se prennent pas dans les pièces en mouvement.
- **Accessoires de protection.** Toujours porter une protection oculaire certifiée conforme à la norme ANSI Z87.1 lors de l'utilisation de ce produit. Porter une protection auditive durant les périodes d'utilisation prolongée.
- **État du taille-bordures avant utilisation.** Inspecter l'outil avant chaque utilisation. Remplacer les pièces endommagées. S'assurer de l'absence de fuites de carburant. S'assurer que toutes les pièces de boulonnerie sont en place et bien serrées. Remplacer toutes les pièces de l'accessoire de coupe qui sont fendues, brisées ou endommagées de quelque façon que ce soit. S'assurer que l'accessoire de coupe est correctement installé et solidement assujéti. S'assurer que l'accessoire de coupe est correctement installé et positionné selon les instructions du fabricant. Utiliser exclusivement les lignes flexibles non métalliques recommandées par le fabricant. Par exemple, ne jamais utiliser de fil ou câble métallique qui pourrait se briser et devenir un projectile dangereux.
- **Position de travail correcte.** Se tenir bien campé et en équilibre. Ne pas travailler hors de portée. Tenir l'accessoire de coupe au-dessous du niveau de la taille. Garder toutes les parties du corps à l'écart de l'accessoire de coupe lorsque le moteur tourne.
- **Gaz d'échappement.** Ne jamais lancer ou faire tourner le moteur dans un endroit clos ; l'inhalation des gaz d'échappement peut être dangereuse ou mortelle.
- **Approvisionnement en carburant.** Mélanger le carburant à l'extérieur, loin de toute flamme ou source d'étincelles. Retirer le bouchon du réservoir de carburant, seulement après avoir arrêté le moteur. Ne pas fumer pendant l'approvisionnement ou la préparation du mélange de carburant. Essuyer tout le carburant éventuellement répandu sur l'outil. S'éloigner d'au moins 9 m (30 pi) du point d'approvisionnement avant de lancer le moteur.
- **Zone de travail.** Déblayer la zone de travail avant chaque utilisation. La débarrasser de tous les objets tels que cailloux, verre brisé, clous, fils métalliques, cordes, etc. risquant d'être projetés ou de se prendre dans l'accessoire de coupe. Éloigner les enfants, badauds et animaux domestiques de la zone de travail. Garder les badauds, enfants, badauds et animaux domestiques à une distance de 15 m (50 pi). Étant donné les risques de blessures infligées par des objets projetés, nous recommandons que toutes les personnes se trouvant à proximité portent des lunettes de sécurité. Si quelqu'un s'approche pendant l'utilisation de l'outil, arrêter le moteur et l'accessoire de coupe.
- **Environnements dangereux.** Pour éviter de tomber, ne pas utiliser l'outil dans des endroits humides ou mouillés.
- **Contrôle de l'outil.** La tête de coupe peut tourner pendant le réglage du carburateur. Par conséquent, il convient de porter un équipement de protection et respecter toutes les instructions de sécurité. Si l'outil est équipé d'un embrayage, s'assurer que l'accessoire de coupe s'immobilise lorsque le moteur tourne au ralenti. Lorsque le moteur est arrêté, s'assurer que l'accessoire de coupe est immobilisé avant de le poser.
- **Utiliser l'outil approprié.** L'outil ne doit être utilisé que pour les applications pour lesquelles il est conçu.
- **État de la débroussailleuse avant utilisation.** Les poignées doivent être installées conformément aux instructions du fabricant. Ne pas essayer d'installer une lame sur l'outil sans que toutes les pièces nécessaires soient correctement montées. Des pièces manquantes ou incorrectes pourraient causer l'éjection de la lame, ce qui exposerait l'opérateur et les personnes présentes à des risques de blessures graves. Jeter toute lame déformée, voilée, fissurée, brisée ou autrement endommagée.
- **Utiliser l'équipement approprié.** Toujours utiliser la barre de protection de la poignée avant et la bandoulière avec la débroussailleuse.
- **Ricochet de lame.** Un ricochet de lame peut se produire lorsque celle-ci entre en contact avec un objet qu'elle ne peut pas couper immédiatement. Le ricochet peut être assez violent pour pousser l'outil et/ou l'opérateur dans une direction quelconque et faire perdre le contrôle de l'outil. Un ricochet peut se produire à tout instant si la lame est bloquée, stoppe ou se coince. Ce problème est plus susceptible de se produire dans les endroits où il n'est pas possible de voir le matériau coupé.
- **Arrêt.** Une lame continuant de tourner au débrayé une fois que le moteur est arrêté ou la gâchette relâchée peut causer des blessures. Garder le contrôle de l'outil jusqu'à ce que la lame soit complètement immobilisée.

Règles de sécurité









Ce moteur est équipé d'un silencieux doté d'un écran pare-étincelles. La section 4442 du California Public Resource Code interdit l'utilisation de ce moteur sans un silencieux muni d'un pare-étincelles dans les endroits boisés, broussailleux ou couvert d'herbe. Des réglementations similaires peuvent être en vigueur dans d'autres états ou provinces.

Ce système d'allumage est conforme à la norme canadienne ICES-002.

Conserver ces instructions. Les consulter fréquemment et les utiliser pour instruire les autres utilisateurs éventuels. Si cet outil est prêté, il doit être accompagné de ces instructions.




Symboles

Les symboles ci-dessous sont apposés sur le produit. Veiller à les étudier et à apprendre leur signification. Une interprétation correcte de ces symboles permettra d'utiliser l'outil plus efficacement et de réduire les risques.

Symbole	Nom	Explication
	Symbole d'alerte de sécurité	Précautions destinées à assurer la sécurité.
	Lire le manuel d'utilisation	Lire le manuel d'utilisation avant de mettre en marche ou d'utiliser cet outil. Le non respect des instructions et précautions de sécurité contenues dans le manuel d'utilisation peut entraîner des blessures graves.
	Porter une protection oculaire et auditive	Porter une protection oculaire certifiée conforme à la norme ANSI Z87.1, ainsi qu'une protection auditive lors de l'utilisation de cet outil.
	Ne laisser personne s'approcher	Garder les badauds à une distance de 15 m (50 pi) minimum.
	Richochet	Les objets projetés peuvent ricocher et infliger des blessures ou causer des dommages matériels.
	Ne pas utiliser de lame	Ne jamais utiliser une lame quelconque sur un outil portant ce symbole.
	Ricochet de lame	Se méfier des ricochets de lame. Les outils conçus pour l'utilisation avec une lame portent ce symbole pour avertir des risques de ricochet.
	Essence et huile	Utiliser de l'essence sans plomb pour automobiles, avec un indice d'octane de 87 $([R + M] / 2)$ ou plus. Cet outil utilise un moteur deux temps qui nécessite le mélange d'essence et d'huile 2 temps.

Symboles

Les termes de mise en garde suivants et leur signification ont pour but d'expliquer le degré de risques associé à l'utilisation de ce produit.

SYMBOLE	SIGNAL	SIGNIFICATION
	DANGER :	Indique une situation extrêmement dangereuse qui, si elle n'est pas évitée, aura pour conséquences des blessures graves ou mortelles.
	AVERTISSEMENT :	Indique une situation potentiellement dangereuse qui, si elle n'est pas évitée, aura pour conséquences des blessures graves ou mortelles.
	ATTENTION :	Indique une situation potentiellement dangereuse qui, si elle n'est pas évitée, pourrait avoir pour conséquences des blessures légères ou de gravité modérée.
	ATTENTION :	(Sans symbole d'alerte de sécurité) Indique une situation pouvant entraîner des dommages matériels.

DÉPANNAGE

Le dépannage exigeant des précautions extrêmes et la connaissance du système, il ne doit être confié qu'à un technicien de service qualifié. En ce qui concerne les réparations, nous recommandons de confier l'outil au **CENTRE DE RÉPARATIONS AGRÉÉ** le plus proche. Utiliser exclusivement des pièces identiques à celles d'origine pour les réparations.



AVERTISSEMENT :

Pour éviter des blessures graves, ne pas essayer d'utiliser ce produit avant d'avoir lu entièrement et bien compris toutes les instructions contenues dans le manuel d'utilisation. Conserver ce manuel d'utilisation et le consulter fréquemment, afin d'assurer le maintien de la sécurité et de pouvoir instruire les autres utilisateurs éventuels.



AVERTISSEMENT :









L'utilisation de tout outil motorisé peut entraîner la projection d'objets dans les yeux et causer des lésions oculaires graves. Lors de l'utilisation d'outils motorisés, veiller à porter des lunettes étanches ou des lunettes de sécurité à coques latérales ou, si nécessaire, un masque facial intégral. Nous recommandons d'utiliser un masque facial à champ de vision élargi, plutôt que des lunettes de vue ou des lunettes de sécurité munies d'écrans latéraux. Toujours porter une protection oculaire certifiée conforme à la norme ANSI Z87.1.

CONSERVER CES INSTRUCTIONS

Autocollants

Les autocollants d'instructions et de mises en garde sont placés bien en vue de l'opérateur, près des pièces présentant un danger potentiel. Remplacer immédiatement tout autocollant manquant ou endommagé.

<p>Réf. 986178-001</p> 	<p>Réf. 984032-001</p> 
<p>Réf. 985102-001</p> 	<p>Réf. 984105-001</p> 
<p>Réf. 984240-001</p> 	<p>Réf. 983961-001 (Bandoulière)</p> 

Caractéristiques

Fiche technique

Nom	Caractéristique
Moteur	24,5 cc, vilebrequin complet
Largeur de coupe	
Nos. de modèle 51950A	43,2 cm (17 po)
Nos. de modèle 51970A	45,7 cm (18 po)
Nos. de modèle 51990A	Débroussailleuse : 20,3 cm (8 po), taille-bordures : 45,7 cm (18 po)
Diamètre de ligne	2,4 mm (0,095 po)
Poids	
Nos. de modèle 51950A	5,7 kg (12-1/2 lb)
Nos. de modèle 51970A	6,1 kg (13-1/2 lb)
Nos. de modèle 51990A	6,1 kg (13-1/2 lb)

Caractéristiques

Apprendre à connaître taille-bordures / débroussailleuse

Voir la figure 1.

Avant d'utiliser ce produit, se familiariser avec toutes ses fonctions et tous ses dispositifs de sécurité.

Caractéristiques communes

Moteur

Le moteur est puissant et facile à lancer. Il est bien équilibré ce qui réduit les vibrations et accroît sa durabilité.

Conception ergonomique

Ce produit est extrêmement maniable. L'outil est conçu pour pouvoir être tenu confortablement et aisément dans différentes positions et à différents angles.

Caractéristiques d'arbre courbe et d'arbre droit

(No. de modèle 51950A/51970A)

Ligne double

Une ligne double coupe plus efficacement qu'une ligne simple.

Défecteur d'herbe

Le déflecteur d'herbe protège l'opérateur des débris

projetés.

Caractéristiques de la débroussailleuse (No. de modèle 51990A)

Lame

La lame Tri-Arc® est conçue pour couper des herbes lianes et végétations légères.

Pare-débris de la débroussailleuse

La garde de lame de la débroussailleuse protège l'opérateur des débris projetés.

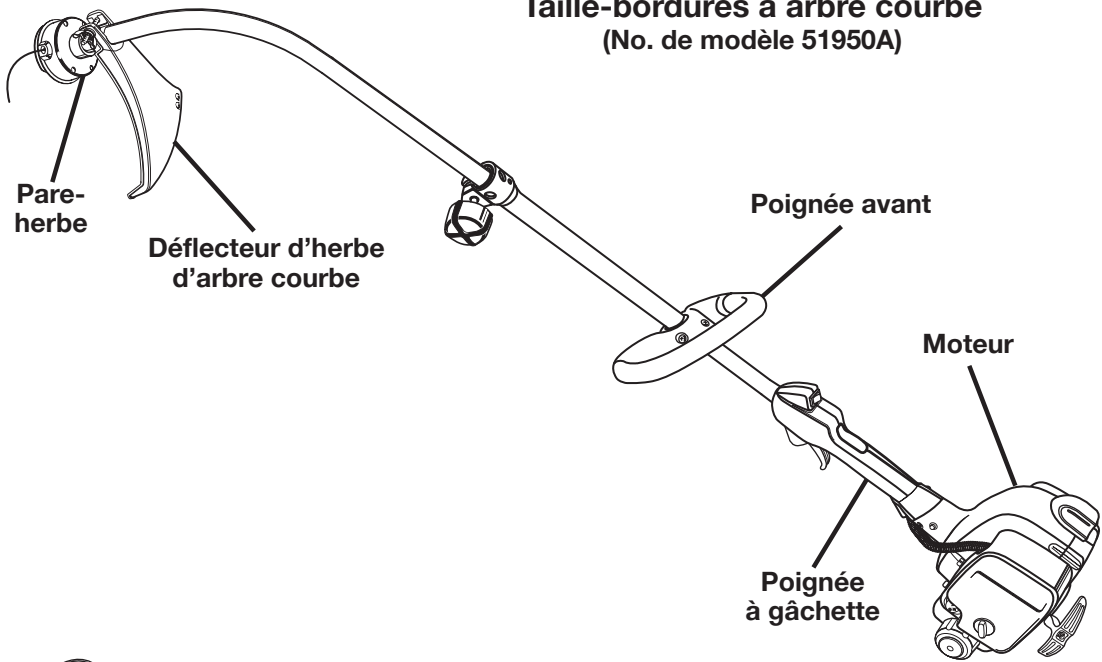
Bandoulière

La débroussailleuse inclut une bandoulière permettant de suspendre l'outil sur l'épaule.

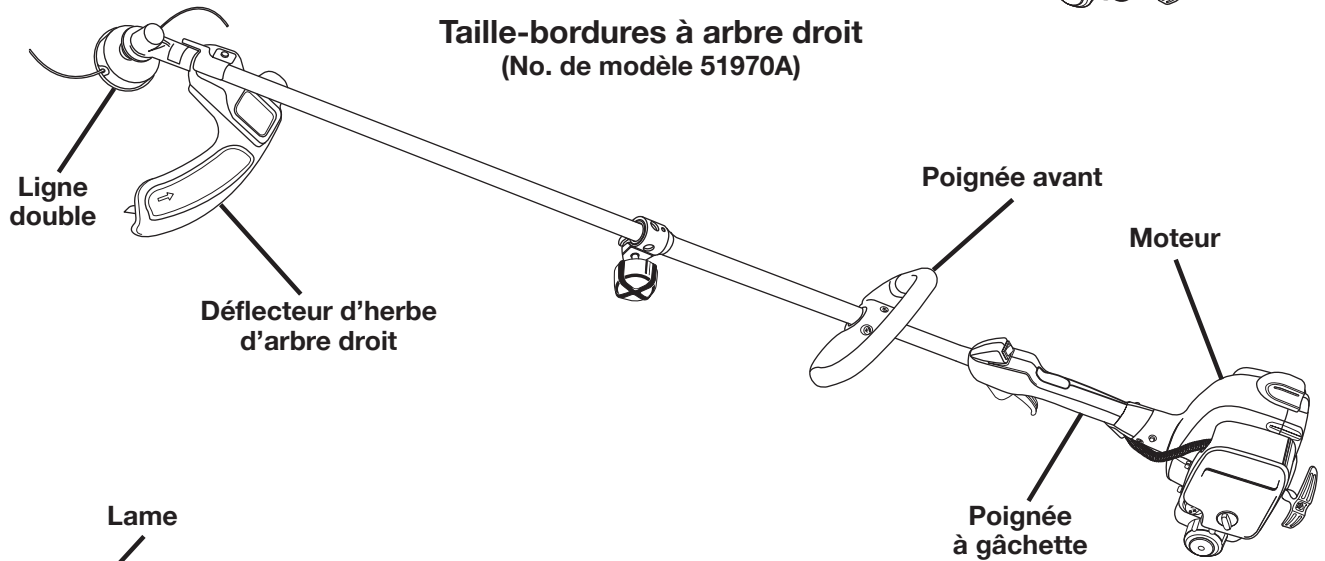
Barre de protection

La poignée de la débroussailleuse est dotée d'une barre de protection assurant que l'opérateur reste en position correcte et maintenant une distance appropriée entre celui-ci et la lame.

Taille-bordures à arbre courbe
(No. de modèle 51950A)



Taille-bordures à arbre droit
(No. de modèle 51970A)



Débroussailluse
(No. de modèle 51990A)

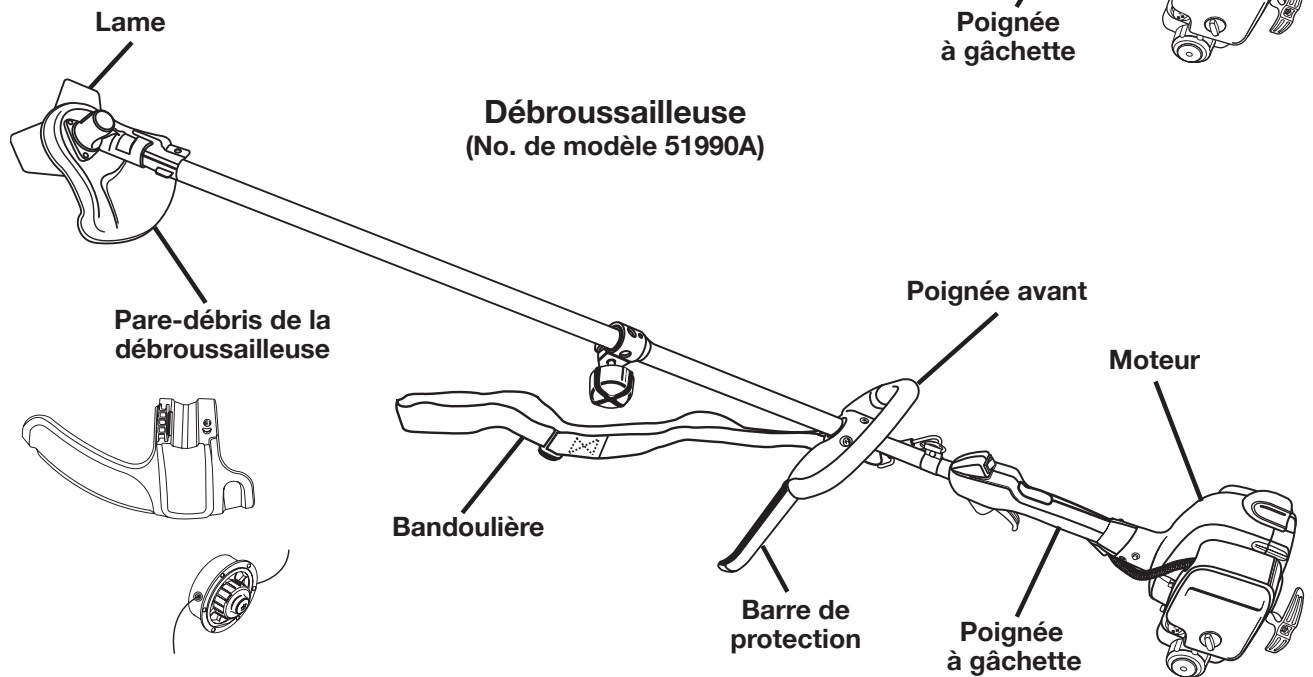


Figure 1

Assemblage

Déballage Instructions

- Avec précaution, sortir l'outil du carton.
- Examiner soigneusement l'outil pour s'assurer que rien n'a été brisé ou endommagé en cours de transport.
- Ne pas jeter les matériaux d'emballage avant d'avoir soigneusement examiné l'outil et avoir vérifié qu'il fonctionne correctement.
- Si des pièces sont manquantes ou endommagées, appeler le 1-866-574-9242 (appel gratuit).

Liste des pièces

Arbre supérieur (Bloc moteur) (1)

Arbre d'accessoire (Tête de coupe) (1)

Poignée (1)

Défecteur d'herbe d'arbre courbe (1) (Modèle 51950A)

Défecteur d'herbe d'arbre droit (1) (Modèle 51970A et Modèle 51990A)

Pare-herbe (Modèle 51950A)

Boulon à six pans - (1/4-20 x 2 po) (1)
(Modèle 51950A)

Rondelle frein (1) (Modèle 51950A)

Rondelle plate (1) (Modèle 51950A)

Écrou papillon (1) (Modèle 51950A)

Huile

Outil de blocage de tête (1) (Modèle 51990A)

Bandoulière (1) (Modèle 51990A)

Couvercle de rangement



AVERTISSEMENT :

Si des pièces manquent, ne pas utiliser l'outil avant qu'elles aient été installées. L'utilisation d'un outil dont certaines pièces manquent peut entraîner des blessures graves.



AVERTISSEMENT :

Ne pas essayer de modifier cet outil ou de créer des accessoires non recommandés. De telles altérations ou modifications sont considérées comme un usage abusif et peuvent créer des conditions dangereuses susceptibles d'entraîner des blessures graves.



AVERTISSEMENT :

Ne pas mettre en marche le taille-bordures / la débroussailleuse avant d'avoir terminé l'assemblage. Le non respect de cet avertissement peut causer un démarrage accidentel, entraînant des blessures graves.

Assemblage

Montage de l'accessoire sur l'arbre supérieur

Voir la figure 2.

Pour monter l'accessoire sur l'arbre supérieur.

1. Desserrer le bouton en le tournant vers la gauche.
 2. Retirer le capuchon de l'arbre d'accessoire.
 3. Aligner le bouton de l'arbre d'accessoire sur le logement guide de l'arbre supérieur.
 4. Glisser l'arbre d'accessoire dans l'arbre supérieur jusqu'à ce qu'il s'encliquette en place.
- Remarque :** Il peut être nécessaire de tourner l'arbre de l'accessoire pour l'aligner sur l'autre arbre.
5. Serrer fermement le bouton en le tournant vers la droite.

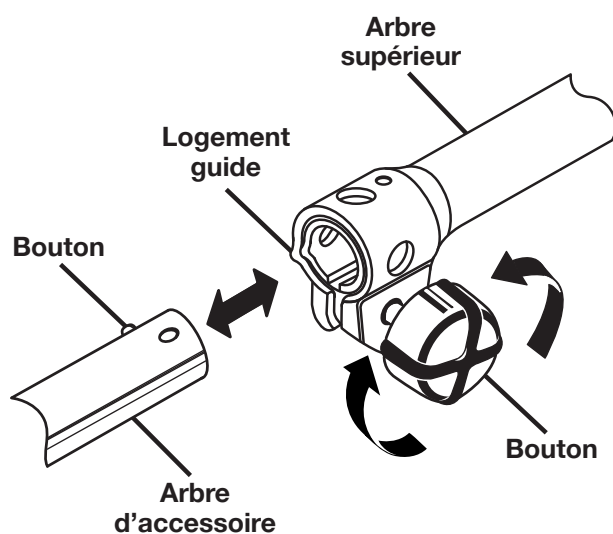


Figure 2

Retrait de l'accessoire de l'arbre supérieur

Voir la figure 2.

Retrait de l'accessoire de l'arbre supérieur

1. Desserrer le bouton en le tournant vers la gauche.
2. Appuyer sur le bouton tout en tirant l'accessoire hors de l'arbre.

Installation de la poignée avant

Voir la figure 3.

Pour installer la poignée avant :

1. Retirer les vis Torx™ et séparer la poignée de son support.
2. Placer la poignée sur le dessus de l'arbre supérieur, à au moins 25,4 cm (10 po) du centre de la poignée à gâchette en veillant à ce qu'elle soit inclinée vers celle-ci.

3. Positionner la poignée sur l'arbre supérieur de manière à obtenir une position d'utilisation confortable.
4. Placer le support de poignée sur le bas du tube, à l'opposé de la poignée.
5. Assujettir la poignée avec les vis Torx™.

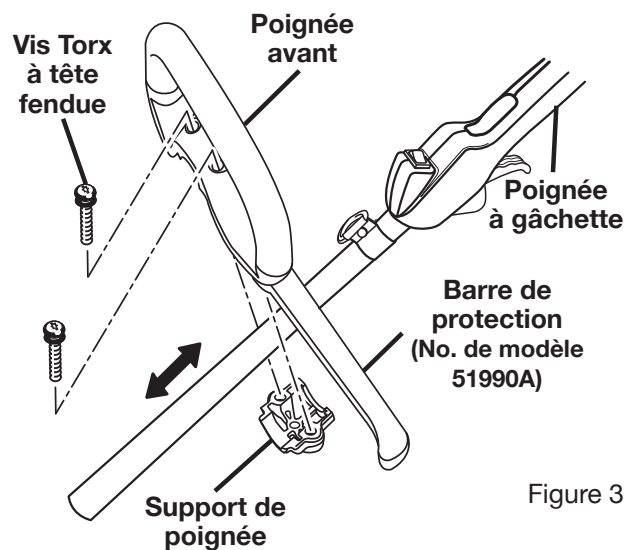


Figure 3

Installation de la bandoulière

Nos. de modèle 51990A

Voir la figure 4.

Pour installer la bandoulière.

1. Accrocher la sangle sur le support.
2. Régler la longueur de la sangle de manière à obtenir une position confortable.

Remarque : Pour libérer instantanément l'outil de la bandoulière, tirer vigoureusement sur la languette de verrouillage.

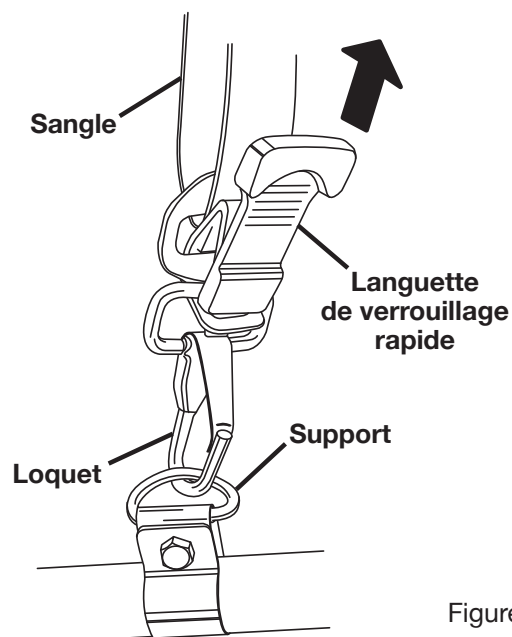


Figure 4

Installation du déflecteur d'herbe

L'installation du déflecteur d'herbe dépend du modèle de taille-bordures : à arbre droit ou à arbre courbe.



AVERTISSEMENT :

La lame coupe ligne du déflecteur est tranchante. Éviter de la toucher. Le contact avec la lame peut causer des blessures graves.

Remarque : Pour assurer la protection de l'opérateur, toujours installer le déflecteur d'herbe.

Installation du déflecteur d'herbe d'arbre courbe Nos. de modèle 51950A

Voir la figure 5.

Pour installer le déflecteur d'herbe d'arbre courbe, procéder comme suit.

1. Emboîter le déflecteur d'herbe sur le bas de l'arbre courbe, comme illustré.
2. Relever légèrement le pare-herbe.
3. Insérer le boulon à six pans dans le déflecteur d'herbe, le support et le pare-herbe.
4. Installer la rondelle plate et la rondelle frein sur le boulon à six pans.
5. Installer l'écrou papillon sur le boulon et le serrer fermement en le tournant vers la droite.

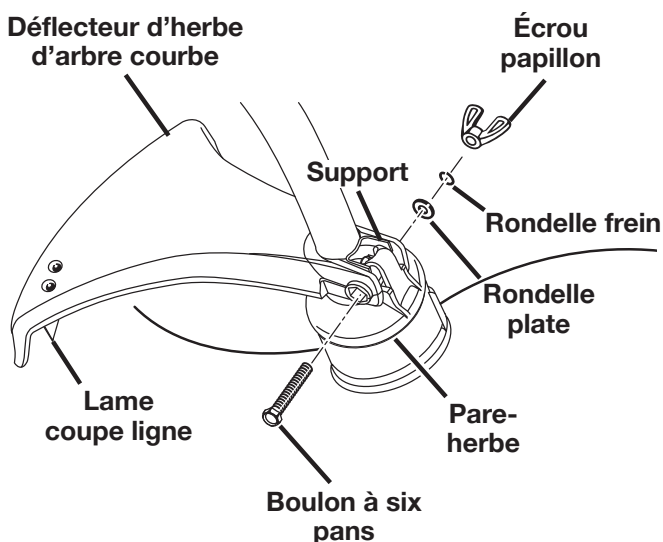


Figure 5

Installation du déflecteur d'herbe d'arbre droit Nos. de modèle 51970A et Nos. de modèle 51990A

Voir la figure 6.

Pour installer le déflecteur d'herbe d'arbre droit, procéder comme suit :

1. Retirer la vis à six pans à tête fendue du déflecteur d'herbe.
2. Insérer la languette du support de montage dans la fente du déflecteur d'herbe.

3. Insérer la languette du support de montage dans la fente du déflecteur d'herbe.
4. Insérer la vis à six pans à tête fendue dans le support de montage et le déflecteur d'herbe.
5. Serrer la vis fermement.

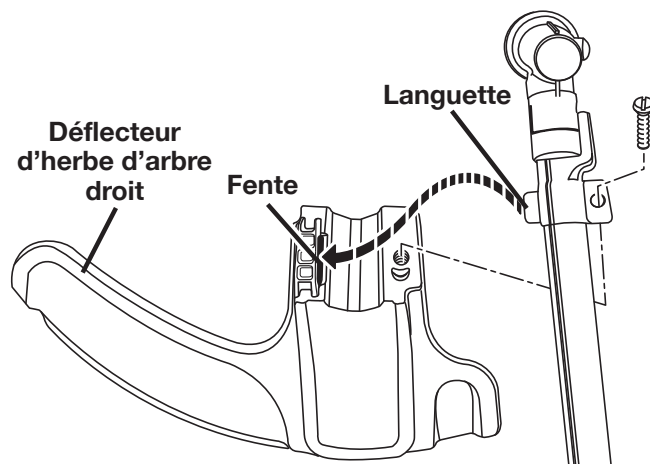


Figure 6

Conversion de débroussailleuse en taille-bordures

Nos. de modèle 51990A

Pour convertir l'outil de débroussailleuse en taille-bordures, retirer la lame et le pare-débris, puis installer le déflecteur d'herbe et la tête de coupe à ligne.

Retrait de la lame et du pare-débris

Voir les figures 7 et 8.

Pour retirer la lame et le pare-débris :

1. Aligner la fente de la rondelle à épaulement supérieure sur la fente du carter d'engrenages.
2. Insérer l'outil de blocage dans fente de la rondelle à épaulement du carter d'engrenages.
3. Retirer l'écrou de lame en le tournant vers la droite (filetage à gauche).
4. Retirer la rondelle bombée et la lame.



AVERTISSEMENT :

Manipuler la lame avec précaution. Elle est très affûtée. Le non-respect de cette mise en garde peut entraîner des blessures graves.

5. Retirer la rondelle à épaulement supérieure de l'arbre moteur et la conserver en vue de l'installation de la tête de coupe à ligne.
6. Retirer les trois vis de fixation du pare-débris.
7. Retirer le pare-débris de débroussailleuse.

Remarque : Ranger les pièces de débroussailleuse ensemble, en vue d'une utilisation ultérieure.

Installation du déflecteur d'herbe

Voir « Installation du déflecteur d'herbe d'arbre droit », plus haut dans ce manuel.

Installation de la tête à ligne de coupe

Voir la figure 9.

Pour installer la tête à ligne de coupe, procéder comme suit.

1. Aligner la fente de la rondelle à épaulement supérieure sur la fente du carter d'engrenages.
2. Insérer l'outil de blocage dans la rondelle à épaulement et le carter d'engrenages.
3. Installer l'arbre moteur et la tête de coupe à ligne sur l'arbre du carter d'engrenages en tournant l'arbre moteur vers la gauche (filetage à gauche).
4. Serrer fermement l'arbre moteur.

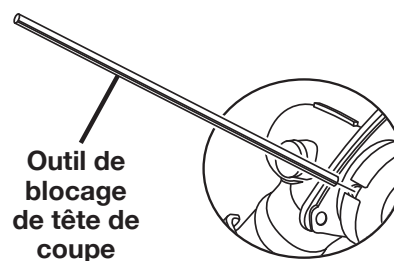


Figure 7

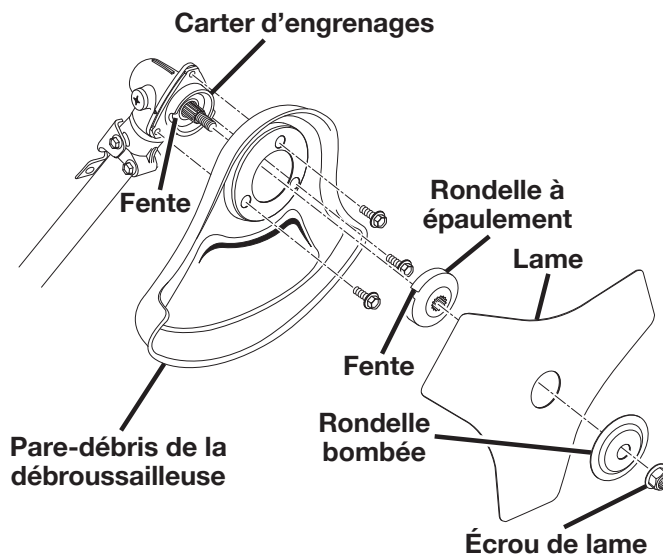


Figure 8

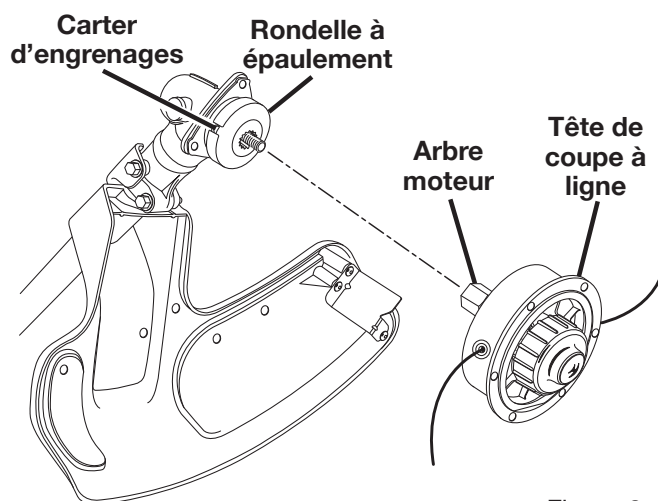


Figure 9

Conversion de taille-bordures en débroussailluse

Nos. de modèle 51990A

Pour convertir l'outil de taille-bordures en débroussailluse, retirer tête de coupe à ligne et le déflecteur d'herbe, puis installer le pare-débris et la lame.

Retrait de la tête à ligne de coupe et du déflecteur d'herbe

Voir les figures 10 et 11.

Pour retirer la tête à ligne de coupe et le déflecteur d'herbe, procéder comme suit :

1. Aligner la fente de la rondelle à épaulement supérieure sur la fente du carter d'engrenages.
2. Insérer l'outil de blocage dans la rondelle à épaulement et le carter d'engrenages.
3. Retirer l'arbre moteur et la tête de coupe à ligne en tournant l'arbre moteur vers la droite (filetage à gauche).
4. Retirer la rondelle bombée et la conserver pour l'installation de la lame.
5. Retirer la vis de fixation du déflecteur d'herbe.
6. Retirer le déflecteur d'herbe.

Remarque : Ranger les pièces tête de coupe à ligne ensemble, en vue d'une utilisation ultérieure.

Installation du pare-débris de débroussailluse

Voir la figure 12.

Remarque : Pour assurer la protection de l'opérateur, toujours installer le pare-débris.

Pour installer le pare-débris :

1. Placer pare-débris sur le carter d'engrenages, comme illustré.
2. Insérer les trois boulons à six pans dans le pare-débris et le carter d'engrenages, par le dessous.
3. Serrer les boulons à un couple de 40 à 50 pi-lb.

Installation de la lame

Voir la figure 13.

Pour installer la lame, procéder comme suit :

1. Installer la rondelle à épaulement sur l'arbre moteur, côté concave dirigé vers le pare-débris.
2. Centrer la lame sur la rondelle à épaulement en s'assurant la lame est bien à plat et que le moyeu en saillie s'engage dans le trou de la lame.
3. Installer la rondelle bombée, partie convexe en direction opposée à la lame.
4. Installer l'écrou de lame sur l'arbre du carter d'engrenages.
5. Insérer l'outil de blocage dans la rondelle à épaulement et le carter d'engrenages.
6. Installer l'écrou de lame en le tournant vers la gauche (filetage à gauche).
7. Serrer les boulons à la main à un couple de 120 pi-lb et donner 1/2 de tour supplémentaire.

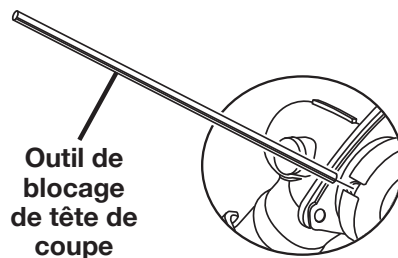


Figure 10

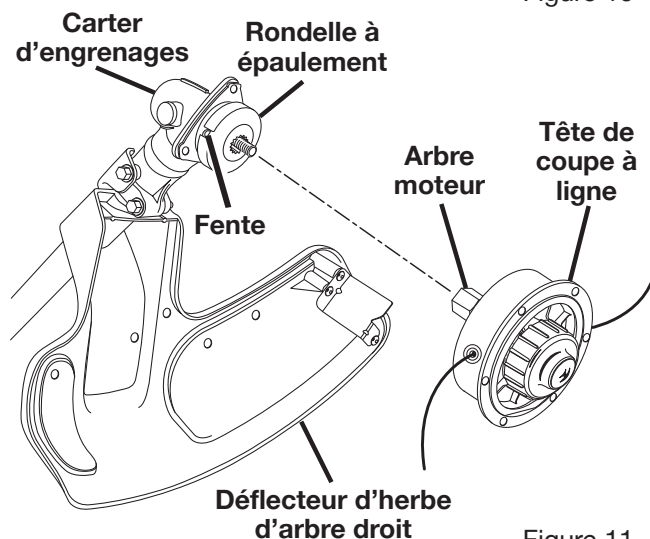


Figure 11

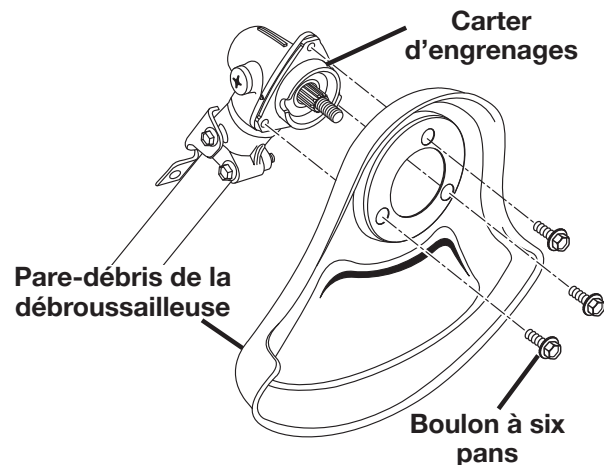


Figure 12

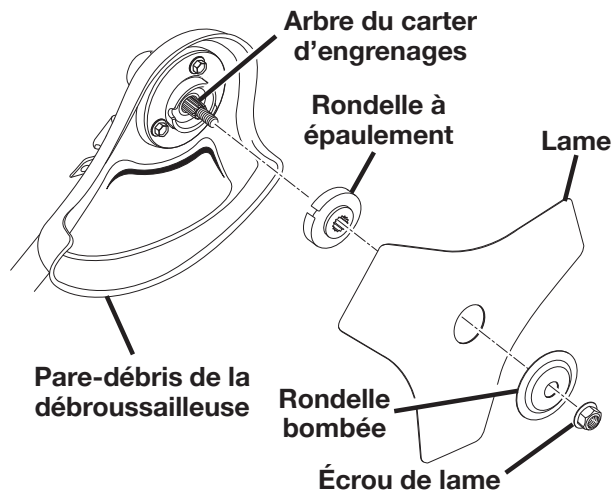


Figure 13

Utilisation



AVERTISSEMENT :

Ne pas laisser la familiarité avec l'outil faire oublier la prudence. Ne pas oublier qu'une fraction de seconde d'inattention peut entraîner des blessures graves.



AVERTISSEMENT :

Toujours porter des lunettes de sécurité avec ou sans coques latérales lors de l'utilisation d'outils électriques. Si cette précaution n'est pas prise, des objets peuvent être projetés dans les yeux et causer des lésions graves.



AVERTISSEMENT :

Ne pas utiliser d'outils ou accessoires non recommandés par le fabricant pour cet outil. L'utilisation de pièces et accessoires non recommandés peut entraîner des blessures graves.

Applications

Utiliser cet outil approprié pour les applications suivantes :

- Taille de gazon, mauvaises herbes et végétation légère (tous les Modèles)
- Bordure des trottoirs et allées (tous les Modèles)
- Taille de gazon, des herbes/lianes pulpeuses végétation légère (modèle 51990A)

Mélange du carburant



DANGER :

L'essence est extrêmement inflammable et explosive. Un incendie ou une explosion d'essence infligerait des brûlures à l'opérateur et aux autres personnes présentes.

Cet outil utilise un moteur deux temps qui nécessite le mélange d'essence et d'huile 2 temps. Le mélange doit être dosé à 50 :1 et préparé avec une huile conforme ou supérieure aux exigences de JASO-FC.

Pour mélanger le carburant, procéder comme suit.

1. Se procurer un bidon ou jerrycan approuvé pour l'essence.
2. Mélanger l'huile pour moteur 2 temps fournie à l'essence se trouvant dans le jerrycan conformément aux instructions du carton d'huile.

Important : Ce moteur est certifié pour fonctionner avec de l'essence sans plomb pour automobiles, avec un indice d'octane de 87 ($[R + M] / 2$) ou plus. Ne pas utiliser d'huile automobile ou pour moteur hors-bord 2 temps. Garder le jerrycan hors de la portée des enfants.

Tableau de mélange huile / essence 50 :1

Essence	Huile
1/2 gallon (US)	1,3 oz.
1 gallon US	2,6 oz.
2 gallons US	5,2 oz.
1 litre	20 ml
2 litres	40 ml
3 litres	60 ml
4 litres	80 ml
5 litres	100 ml



Remplissage du réservoir



AVERTISSEMENT :

Toujours arrêter le moteur avant de remplir le réservoir. Ne jamais remplir le réservoir d'une machine lorsque le moteur tourne ou est chaud. S'éloigner d'au moins 9 m (30 pi) du point d'approvisionnement avant de lancer le moteur. Ne pas fumer pendant le remplissage du réservoir.

Pour remplir le réservoir, procéder comme suit :

1. Nettoyer le pourtour du bouchon de remplissage pour éviter la contamination du carburant.
2. Desserrer le bouchon du réservoir en le tournant vers la gauche.
3. Verser le mélange dans le réservoir avec précaution.
4. Nettoyer et inspecter le joint du bouchon.
Remarque : Si le joint est endommagé, remplacer le bouchon de carburant.
5. Installer le bouchon et le serrer en le tournant vers la droite.



AVERTISSEMENT :

S'assurer de l'absence de fuites de carburant. Toutes les fuites doivent être éliminées avant d'utiliser le produit.

6. Essuyer tout le carburant éventuellement répandu sur l'outil.
7. S'éloigner d'au moins 9 m (30 pi) du point d'approvisionnement avant de lancer le moteur.
Remarque : Il est normal qu'un moteur neuf dégage de la fumée pendant et après la première utilisation.



AVERTISSEMENT :

Des débris peuvent être projetés par l'outil en fonctionnement et blesser l'opérateur ou les autres personnes présentes. Toujours porter une protection oculaire, des pantalons longs épais et des chaussures de travail pendant l'utilisation de l'outil.

Démarrage / arrêt de l'équipement

Voir les figures 14a, 14b, 14c et 15.

Pour démarrer un moteur froid ou qui a épuisé le carburant :

1. Remplir le réservoir de carburant, le cas échéant.
Toujours utiliser le bon mélange d'huile et d'essence.
Voir « Mélange du carburant » page 17.
2. Mettre le commutateur du moteur en position de RUN [MARCHE] (I).
Remarque : Ne pas engager le levier d'accélérateur pendant le lancement du moteur.
3. Appuyer lentement sept fois sur la poire d'amorçage.
Remarque : Ne pas appuyer sur la poire d'amorçage au redémarrage d'un moteur chaud.
4. Mettre le levier de volet de départ en position de START [DÉMARRAGE].
Remarque : Laisser le volet de départ en position de RUN [MARCHE] au redémarrage d'un moteur chaud.
5. Tirer sur le cordon du lanceur jusqu'à ce que le moteur démarre.
6. Ramener doucement le cordon du lanceur dans le boîtier du lanceur. Ne pas laisser le cordon remonter brusquement à la position initiale.
7. Laisser le moteur tourner pendant 15 secondes pour qu'il chauffe avant de l'utiliser.
8. Engager le levier de levier d'accélérateur pour utiliser l'équipement.

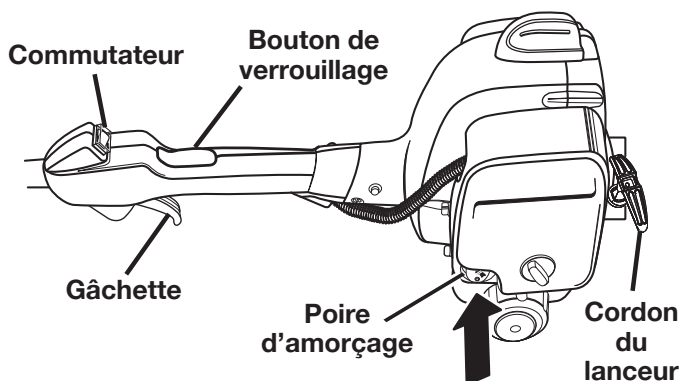


Figure 14a

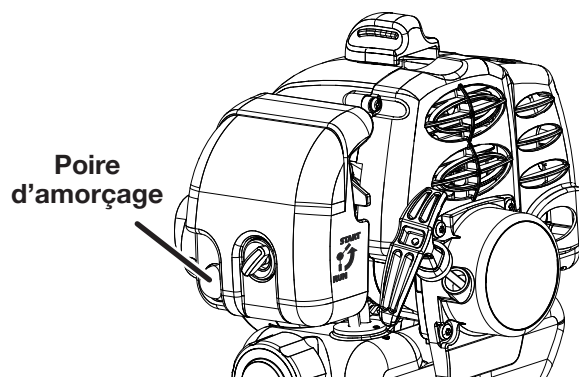


Figure 14b

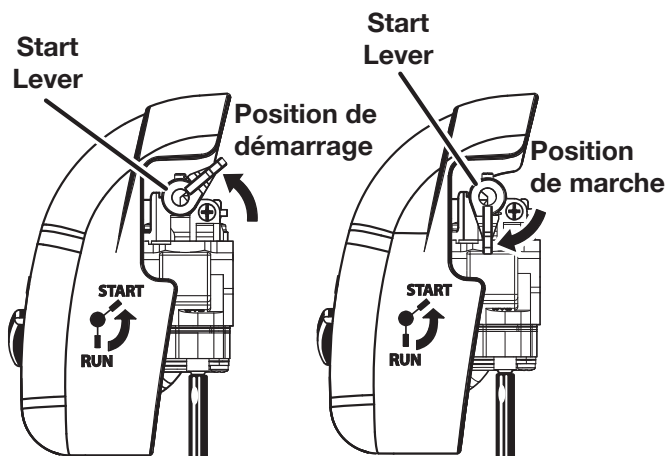


Figure 14c

Arrêt

Voir la figure 15.

1. Relâcher le levier d'accélérateur.
2. Mettre le commutateur du moteur en position de OFF [ARRÊT] (O).

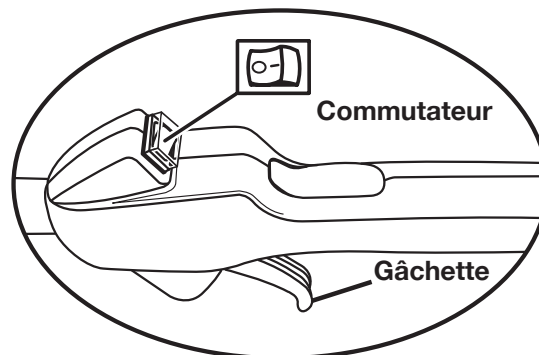


Figure 15

Utilisation du taille-bordures

L'utilisation d'un taille-bordures n'est pas la même selon qu'il est équipé d'un arbre droit ou d'un arbre courbe.



AVERTISSEMENT :

Toujours tenir le taille-bordures à l'écart de soi en maintenant une distance de sécurité entre le corps et l'équipement. Tout contact avec le boîtier ou avec la tête de coupe du taille-bordures peut causer des brûlures et / ou d'autres blessures graves.

Utilisation du taille-bordures à arbre courbe (No. de modèle 51950A)

Voir la figure 16a.

Pour utiliser le taille-bordures à arbre courbe, procéder comme suit.

1. Lancer le moteur.
2. Tenir le taille-bordures à hauteur de la taille, avec la main droite sur la poignée de la gâchette et la main gauche sur la poignée avant.
3. Tenir l'outil sur le côté droit du corps, le moteur à l'arrière et à l'écart du corps.
4. Tenir la ligne parallèle au sol et couper l'herbe avec un mouvement de droite à gauche.



Figure 16a

Utilisation du taille-bordures à arbre droit (No. de modèle 51970A)

Voir la figure 16b.

Pour utiliser le taille-bordures à arbre droit, procéder comme suit.

1. Lancer le moteur.
2. Tenir le taille-bordures à hauteur de la taille, avec la main droite sur la poignée de la gâchette et la main gauche sur la poignée avant.
3. Tenir l'outil sur le côté droit du corps, le moteur à l'arrière et à l'écart du corps.
4. Tenir la ligne parallèle au sol et couper l'herbe avec un mouvement de gauche à droite.

BONNE POSITION DE TRAVAIL



Figure 16b

Avance de la ligne de coupe

Voir la figure 16c.

Pour faire avancer la ligne de coupe, procéder comme suit.

1. Lancer le moteur.
2. Lorsque le moteur tourne, taper légèrement la tête de coupe contre le sol. La ligne n'avance que si le moteur tourne à plein régime. **Ne pas maintenir le capuchon de retenue contre le sol.**

Remarque : La lame du déflecteur coupe la ligne à la longueur correcte.

Remarque : Pour éviter que la ligne s'emmêle, ne taper la tête de coupe sur le sol qu'une seule fois pour la faire avancer. Si une plus grande longueur de ligne est nécessaire, attendre quelques secondes avant de taper la tête de coupe sur le sol une nouvelle fois. Ne pas laisser la ligne s'user jusqu'à ce qu'elle soit trop courte. Garder la ligne à sa longueur maximum.

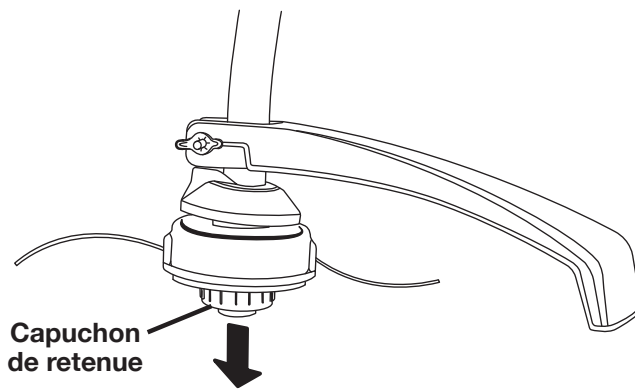


Figure 16c

Utilisation de la débroussailleuse (No. de modèle 51990A)

Voir la figure 17.

Pour utiliser la débroussailleuse, procéder comme suit.

1. Lancer le moteur.
2. Tenir la débroussailleuse à hauteur de la taille, avec la main droite (bras tendu) sur la poignée de la gâchette et la main gauche sur la poignée avant.
3. Tenir l'outil sur le côté droit du corps, le moteur à l'arrière et à l'écart du corps.
4. Tenir la lame parallèle au sol et couper les herbes et la végétation avec un mouvement de droite à gauche.

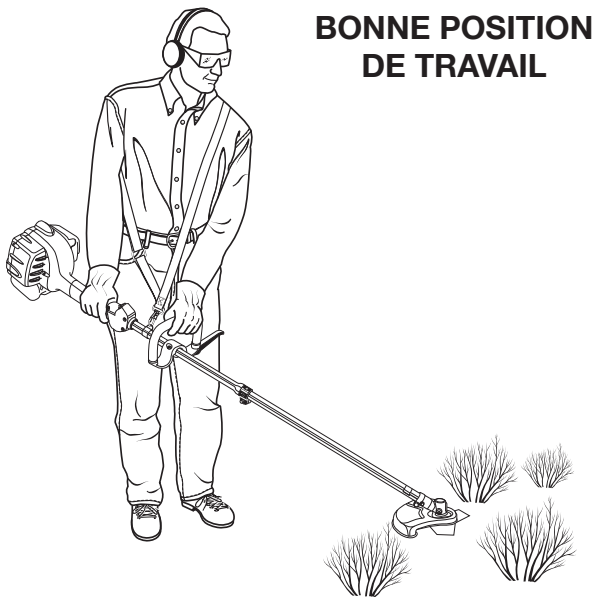


Figure 17

Conseils de coupe

Voir les figures 18 et 19.

1. Éviter les surfaces très chaudes en maintenant toujours l'outil à l'écart du corps. (Position de travail correcte illustrée à la figure 16a, 16b et 17).
2. Pour une efficacité maximum, garder le taille-bordures incliné vers la zone de coupe.
3. Pour couper avec le taille-bordures à arbre courbe, utiliser un mouvement de balayage de droite à gauche. Ceci évite que les débris soient projetés en direction de l'opérateur. Éviter de couper dans la zone dangereuse montrée aux figures 18 et 19.
4. Couper avec l'extrémité de la ligne ; ne pas forcer la tête de coupe dans l'herbe non coupée.
5. Les palissades en métal et en bois accélèrent l'usure de la ligne et peuvent la faire casser. Les murs en pierre et brique, trottoirs et pièces de bois peuvent user la ligne rapidement.
6. Éviter les arbres et buissons. L'écorce des arbres, les moulures en bois, le lambrisage et les piquets de palissades peuvent être endommagés par la ligne.

Taille-bordures à arbre courbe

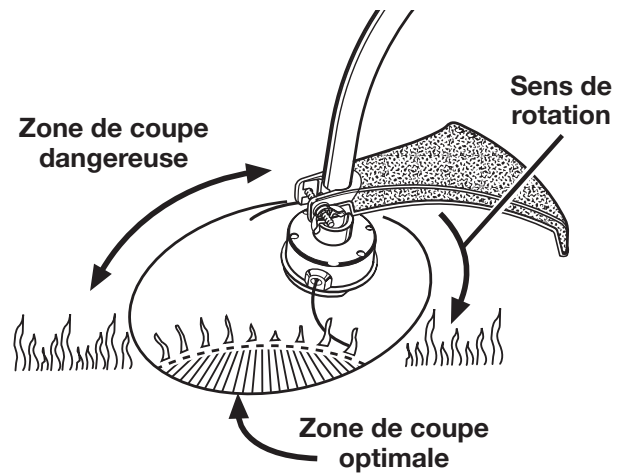


Figure 18

Taille-bordures à arbre droit

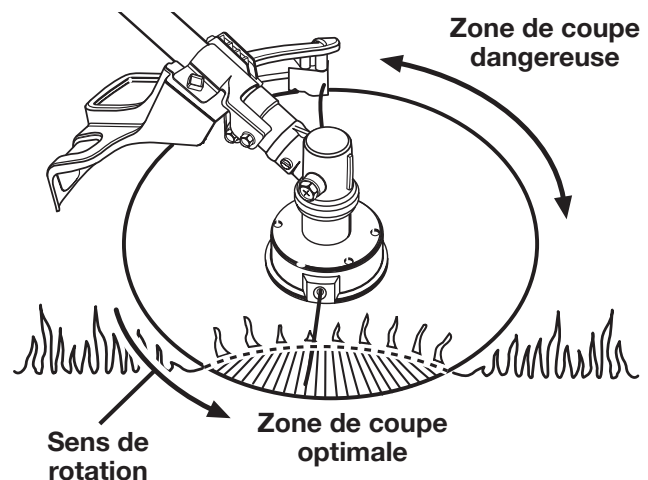


Figure 19

Entretien

Programme d'entretien du système antipollution

L'entretien, le remplacement ou la réparation des composants et systèmes de contrôle des émissions peuvent être effectués par toute entreprise ou spécialiste des moteurs non routiers.

Pièce du système antipollution	Inspecter avant chaque utilisation.	Nettoyer toutes le 5 heures de fonctionnement	Remplacer toutes les 25 heures ou chaque année	Nettoyer toutes les 25 heures ou chaque année
Réservoir de carburant (flexibles, bouchon et filtre inclus)	X			
Filtre à air		X	X	
Pare-étincelles				X
Bougie			X	

AVERTISSEMENT :

Utiliser exclusivement des pièces Toro d'origine lors de l'entretien de ce produit. L'usage de toute autre pièce pourrait créer une situation dangereuse ou endommager l'outil.

Nettoyage

- Arrêter le moteur avant de nettoyer l'outil.
- Nettoyer l'extérieur de l'outil avec un chiffon humide.
- Éviter d'utiliser des solvants pour le nettoyage des pièces en plastique. La plupart des matières plastiques peuvent être endommagées par divers types de solvants du commerce.
- Essuyer ou racler la terre et les débris éventuellement accumulés sur la tête de coupe et la bobine.
- Éliminer les débris des ouïes d'admission d'air latérales avec une raclette.

ATTENTION :

Les ouïes d'admission d'air doivent être gardées exemptes d'herbe et de débris pour empêcher la surchauffe du moteur et éventuellement, une panne.

Remarque : Suivant le type de carburant utilisé, le type et la quantité d'huile et/ou les conditions de travail, l'urifice d'échappement et le silencieux peuvent se calaminer. Si un outil motorisé semble avoir perdu de la puissance, cette calamine doit être éliminée pour restaurer le fonctionnement normal. Il est vivement recommandé de confier ce travail à un technicien qualifié.

Maintenance

- Vérifier le serrage de toute la boulonnerie. Si une pièce endommagée de quelque façon que ce soit, la remplacer.

Remplacement de la ligne de coupe

Voir les figures 20 et 21.

AVERTISSEMENT :

L'utilisation d'une ligne autre que la ligne de coupe monofilament correcte peut être dangereuse et entraîner des blessures.

Pour remplacer la ligne de coupe, procéder comme suit.

1. Arrêter le moteur.

AVERTISSEMENT :

S'assurer que la tête de coupe a cessé de tourner. Le contact avec la tête de coupe en rotation peut causer des blessures.

2. Retirer le capuchon de la bougie. Voir la figure 24.
3. Retirer le capuchon de retenue.
4. Retirer la bobine vide.
5. Nettoyer soigneusement la tête de coupe. S'assurer qu'aucune pièce de la tête de coupe n'est usée ou endommagée.
6. Tenir la bobine avec le ressort vers le haut.
7. Insérer l'extrémité de la nouvelle ligne dans le trou de la partie fileté supérieure de la bobine.
8. Enrouler la ligne sur la bobine dans le sens indiqué par les flèches du dessus de la bobine, jusqu'à ce qu'elle parvienne à la paroi de la bobine. **Ne pas enrouler au-delà du bord de l'anneau intérieur.**
9. Bloquer la ligne provisoirement en l'engageant dans l'une des languettes encochées de la bobine.
10. Couper la ligne à 15,2 cm (6 po) des languettes encochées.

11. Répéter l'opération dans la partie filetée inférieure de la bobine et bloquer la ligne dans la languette encochée du côté opposé.
12. Passer les lignes dans les oeillets de la tête de coupe.
13. Installer la bobine sur l'arbre moteur.
Remarque : Il peut être nécessaire de tourner légèrement la bobine pour pouvoir l'installer. Si la ligne s'emmêle ou se brise au niveau des oeillets, retirer la bobine, réinsérer la ligne dans les oeillets et remettre la bobine en place.
14. Retirer chacune des lignes des languettes encochées en les tirant d'un coup sec.
15. Appuyer sur la bobine pour exposer les filetages intérieurs de l'arbre moteur.
16. Visser le capuchon de retenue sur l'arbre moteur.
17. Assujettir le capuchon de retenue.

AVERTISSEMENT :
S'il n'est pas correctement installé, le capuchon de retenue risque d'être éjecté du taille-bordures. Un capuchon ou une bobine éjectée peut infliger des blessures.

18. Remettre le capuchon de la bougie en place. Voir la figure 24.

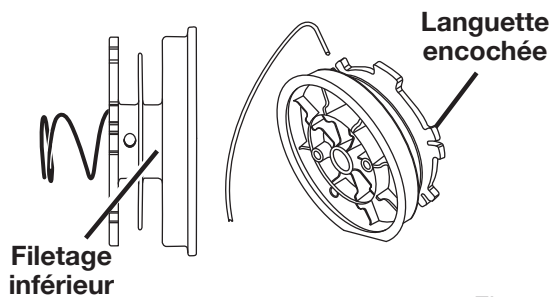
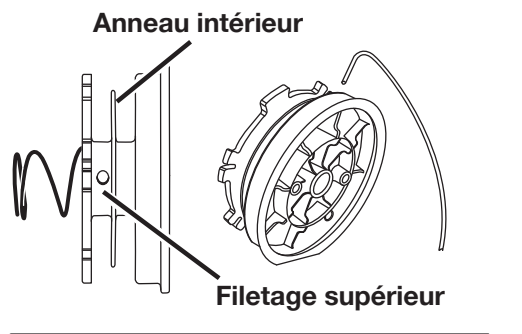


Figure 20

Remplacement de la bobine

Voir la figure 21.

Remarque : Pour un résultat optimal, utiliser exclusivement des bobines Toro (réf. AR04118). La fonction d'avance peut causer l'usure de la bobine après un certain temps d'utilisation normale. Des bobines de rechange sont en vente chez les détaillants de produits Toro.

Pour remplacer la ligne de coupe, procéder comme suit.

1. Arrêter le moteur.

AVERTISSEMENT :
S'assurer que la tête de coupe cesse de tourner lorsque la gâchette est relâchée. Le contact avec la tête de coupe en rotation peut causer des blessures.

2. Retirer le capuchon de la bougie. Voir la figure 24.
3. Retirer le capuchon de retenue en le tournant dans le sens indiqué par les flèches.
4. Retirer la bobine vide.
5. Nettoyer soigneusement la tête de coupe. S'assurer qu'aucune pièce de la tête de coupe n'est usée ou endommagée.
6. Retirer les lignes des languettes encochées de la bobine et les étirer d'environ 15,2 cm (6 po).
7. Bloquer les lignes provisoirement en les engageant dans les languettes encochées de la bobine.
8. Passer les lignes de la nouvelle bobine dans les oeillets de la tête de coupe.
9. Installer la bobine sur l'arbre moteur.
Remarque : Il peut être nécessaire de tourner légèrement la bobine pour pouvoir l'installer.
Remarque : Si la ligne s'emmêle ou se brise au niveau des oeillets, retirer la bobine, réinsérer la ligne dans les oeillets et remettre la bobine en place.
10. Retirer chacune des lignes des languettes encochées en les tirant d'un coup sec.
11. Appuyer sur la bobine pour exposer les filetages de l'arbre moteur.
12. Visser le capuchon de retenue sur l'arbre moteur.
13. Assujettir le capuchon de retenue.
14. Remettre le capuchon de la bougie en place. Voir la figure 24.

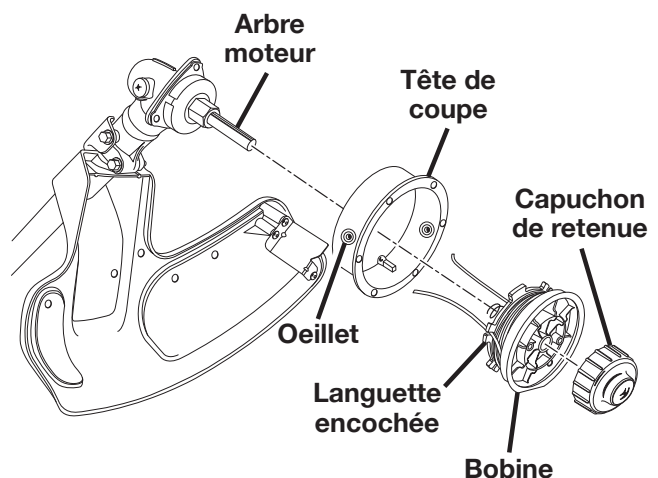


Figure 21

Vérification du bouchon du réservoir de carburant

AVERTISSEMENT :

Un bouchon de carburant qui fuit pose un risque d'incendie et doit être remplacé immédiatement.

Le bouchon du réservoir de carburant contient un filtre et un clapet antiretour non réparables. Un filtre à carburant colmaté nuit au bon fonctionnement du moteur. Si le fonctionnement du moteur s'améliore lorsque le bouchon est desserré, le clapet antiretour peut être défectueux ou le filtre colmaté. Si nécessaire, remplacer le bouchon de carburant.

Nettoyage du filtre à air

Voir les figures 22.

Nettoyer le filtre à air aux intervalles prescrits dans le programme d'entretien. Pour nettoyer le filtre à air, procéder comme suit.

1. Arrêter le moteur.

AVERTISSEMENT :

S'assurer que la tête de coupe cesse de tourner lorsque la gâchette est relâchée. Le contact avec la tête de coupe en rotation peut causer des blessures.

2. Retirer le capuchon de la bougie.
3. Desserrer le couvercle du filtre en tournant le bouton vers la droite.
4. Retirer le couvercle du filtre à air.
5. Retirer le filtre à air.
6. Nettoyer le filtre dans de l'eau savonneuse tiède.
7. Le rincer et le laisser sécher complètement.
8. Lubrifier le filtre avec deux gouttes d'huile.
9. Remettre le filtre en place (il ne peut être installé que dans un sens).
10. Remettre le couvercle en place.
11. Serrer le couvercle du filtre en tournant le bouton vers la droite.
12. Remettre le capuchon de la bougie en place.

Remarque : Remplacer le filtre à air (Réf. 88048), aux intervalles prescrits dans le programme d'entretien.

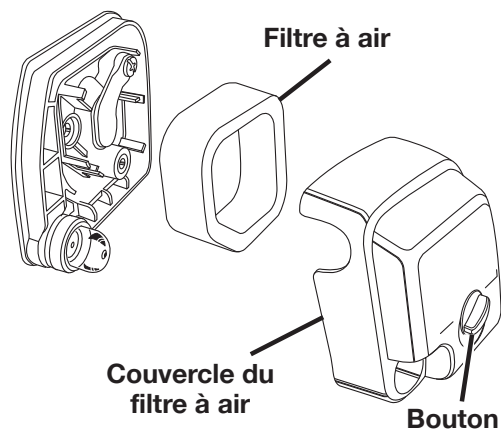


Figure 22

Remplacement du pare-étincelles

Voir la figure 23.

Il peut être nécessaire de remplacer le pare-étincelles après un emploi prolongé. Si un remplacement est nécessaire, utiliser la pièce Toro référence 986179001.

Pour remplacer le pare-étincelles :

1. Déposer les cinq vis qui maintiennent le couvercle.
- Remarque :** Pour retirer ces vis, utiliser un tournevis torx T20 et T25.
2. Retirer le couvercle.
 3. Retirer le silencieux et son joint. Il peut être nécessaire de faire faire des mouvements de va et vient au silencieux pour le dégager de son joint.
 4. Déposer les trois vis qui maintiennent les plaques sur le silencieux.
 5. Retirer le pare-étincelles.
 6. Remplacer l'ancien pare-étincelles par le nouveau.
 7. Remonter le silencieux en réinstallant les plaques et en serrant les trois vis.
 8. Réassembler le silencieux et le couvercle du silencieux et les fixer au joint de silencieux avec les deux vis.
 9. Réinsérer le silencieux assemblé.
 10. Réinstaller le couvercle sur l'outil et le fixer avec les cinq vis.

Remarque : Ne pas trop serrer les vis.

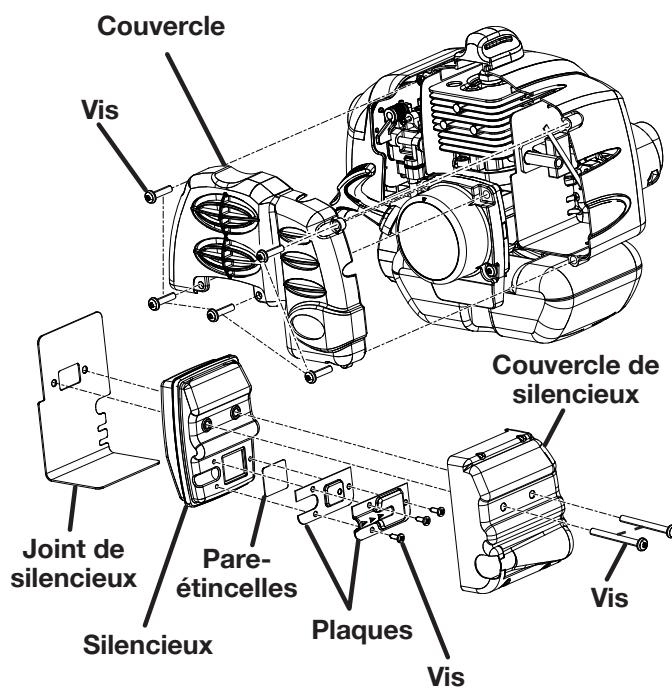


Figure 23

Remplacement de la bougie

Voir la figure 24.

Tous les outils dont le numéro de modèle est inclus dans ce manuel utilisent une bougie NGK BPMR7A ou Champion RCJ-6Y. La bougie doit être remplacée annuellement par une bougie identique.

Pour remplacer la bougie, procéder comme suit.

1. Retirer le capuchon de la bougie.
2. Desserrer la bougie en la tournant vers la gauche, à l'aide d'une clé à douille.
3. Retirer la bougie.
4. Visser la nouvelle bougie à la main en la tournant vers la droite.
5. Serrer avec une clé à bougie, à un couple de 170 à 190 po-lb maximum. **Ne pas trop serrer.**

ATTENTION :
Veiller à ne pas fausser le filetage de la bougie.
Ceci endommagerait sérieusement l'outil.

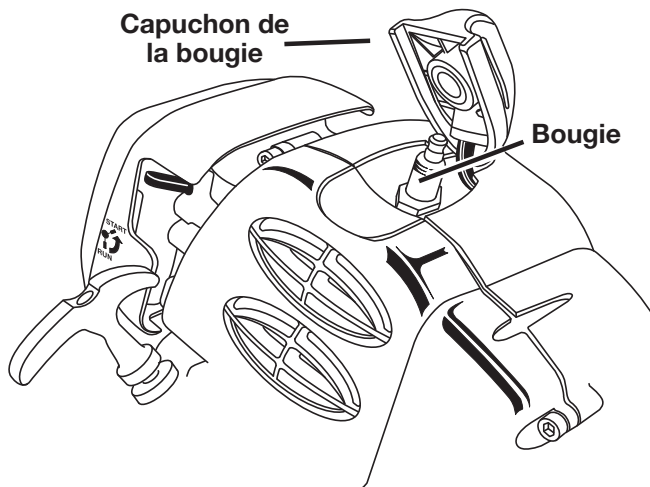


Figure 24

Remisage

La méthode de préparation dépend de la durée du remisage de l'outil.

Remarque : Si l'outil comporte un autre accessoire, installer l'anneau de suspension sur l'extrémité i de l'arbre d'accessoire.

Remisage à court terme

Pour le remisage à court terme, procéder comme suit.

1. Nettoyer soigneusement l'outil.
2. Le remisage dans un endroit bien aéré, inaccessible aux enfants.

Remisage à long terme

Si l'outil ne doit pas être utilisé pendant plus d'un mois, utiliser la méthode de préparation au remisage ci-dessous.

Pour le remisage à long terme, procéder comme suit.

1. Vider complètement le réservoir de carburant dans un bidon ou jerrycan approuvé pour l'essence.
2. Laisser le moteur tourner jusqu'à ce qu'il cale.
3. Nettoyer soigneusement l'outil.
4. Le remisage dans un endroit bien aéré, inaccessible aux enfants.

Remarque : Garder l'outil à l'écart de produits corrosifs, tels que les produits chimiques de jardinage et le sel de dégivrage.

Important : Se conformer à toutes les réglementations locales et gouvernementales concernant la sécurité de la manutention et de l'entreposage de l'essence.

Transport

Pour le transport, procéder comme suit.

1. Vidanger le mélange dans un bidon ou jerrycan approuvé pour l'essence.
2. Transporter l'outil par la poignée avant.
3. Assujettir l'outil dans le véhicule ou sur la remorque.

Dépannage

Problème	Cause possible	Solution
Le moteur ne démarre pas	<ol style="list-style-type: none"> 1. Commutateur en position d'ARRET O. 2. Pas d'étincelle 3. Pas de carburant 4. Moteur noyé 5. Le cordon du lanceur est plus difficile à tirer que lorsque l'outil était neuf 	<ol style="list-style-type: none"> 1. Mettre le commutateur d'allumage en position de MARCHE I. 2. Retirer la bougie. Remettre le capuchon sur la bougie et poser cette dernière sur le cylindre métallique. Tirer le cordon du lanceur et regarder si une étincelle se produit à l'électrode de la bougie. En l'absence d'étincelle, répéter l'opération avec une bougie neuve. 3. Actionner la poire d'amorçage jusqu'à ce qu'elle soit remplie de carburant. Si elle ne se remplit pas, le système d'alimentation en carburant est obstrué. Si la poire se remplit, il se peut que le moteur soit noyé. (Voir le paragraphe suivant). 4. Retirer la bougie. Retourner l'outil, de façon à ce que le trou de bougie soit dirigé vers le sol. S'assurer que le levier du volet de départ est en position de RUN [MARCHE] et tirer le cordon du lanceur 10 à 14 fois. Ceci chasse l'excédent de carburant du moteur. Nettoyer la bougie et la remettre en place. La gâchette d'accélérateur étant serrée à fond, tirer le cordon du lanceur 3 fois. Si le moteur ne démarre pas, mettre le volet de départ en position de START [DÉMARRAGE] et suivre la procédure normale de démarrage. Si le moteur ne démarre toujours pas, installer une bougie neuve et répéter l'opération. 5. Contacter un centre de réparations agréé.
Le moteur ne parvient pas au régime maximum et dégage trop de fumée	<ol style="list-style-type: none"> 1. Vérifier le mélange de carburant 2. Filtre à air encrassé 3. Écran pare-étincelles encrassé 	<ol style="list-style-type: none"> 1. Utiliser un mélange de carburant et d'huile 2 temps correct et frais. 2. Nettoyer le filtre à air. 3. Nettoyer le pare-étincelles.
Le système d'avance automatique de la ligne est inopérant	<ol style="list-style-type: none"> 1. Ligne soudée sur elle-même 2. Pas assez de ligne sur la bobine 3. Ligne trop courte 4. Ligne emmêlée sur la bobine 5. Régime moteur trop lent 	<ol style="list-style-type: none"> 1. Lubrifier avec un produit au silicone. 2. Installer une nouvelle ligne. 3. Tirer la ligne en appuyant sur la bobine et en la relâchant alternativement. 4. Retirer la ligne de la bobine et la rebobiner. 5. Faire avancer la ligne, le moteur tournant à plein régime.
Le capuchon de retenue est difficile à tourner lorsque l'avance de ligne automatique est utilisée	Filetage des vis encrassé ou endommagé	Nettoyer et graisser les filetages. Si cela ne résout pas le problème, remplacer le capuchon de retenue.
L'herbe s'enroule sur la tête de coupe et l'arbre d'accessoire	<ol style="list-style-type: none"> 1. Coupe de hautes herbes au ras du sol 2. Utilisation de l'outil à régime partiel 	<ol style="list-style-type: none"> 1. Couper les herbes hautes du haut en bas. 2. Utiliser l'outil à plein régime.
De l'huile s'écoule de l'échappement	<ol style="list-style-type: none"> 1. Utilisation de l'outil à régime partiel 2. Vérifier le mélange huile/carburant 3. Filtre à air encrassé 	<ol style="list-style-type: none"> 1. Utiliser l'outil à plein régime. 2. Utiliser un mélange de carburant et d'huile 2 temps correct et frais. 3. Nettoyer le filtre à air.

Garantie

OWT Industries, Inc.

Taille-bordures à essence

Garantie limitée

OWT INDUSTRIES, INC. garantit à l'acheteur original que ce taille-bordures est exempt de tous vices de matériaux ou de fabrication et s'engage à réparer ou remplacer gratuitement, à son choix, tout produit s'avérant défectueux au cours des périodes indiquées ci-dessous, à compter de la date d'achat:

- Deux ans pour les taille-bordures utilisés par des particuliers ou leurs familles ;
- 90 jours sur les taille-bordures utilisés à toutes autres fins, telles que les travaux commerciaux et la location.
- Deux ans sur les systèmes de contrôle des émissions des taille-bordures à moteur à essence, utilisés pour quelque application que ce soit, comme indiqué ci-dessous.

Sauf indication contraire dans l'énoncé de garantie du système de contrôle des émissions, cette garantie ne couvre que l'acheteur au détail original et entre en vigueur à la date de l'achat original.

Comment obtenir le service sous garantie

Toute pièce du produit fabriquée ou fournie par OWT Industries, Inc., et jugée, après évaluation raisonnable par OWT Industries, Inc., comme présentant des vices de matériaux ou de fabrication, sera réparée ou remplacée par un centre de réparations agréé, sans facturation pour pièces ou main d'oeuvre. Pour obtenir l'adresse du centre de réparations agréé le plus proche, appeler gratuitement le 1-866-574-9242 (États-Unis) ou le 1-866-574-9243 (Canada).

Le produit et toutes les pièces défectueuses devront être retournés à un centre de réparations agréé avant expiration de la période de garantie. Les frais d'expédition au centre de réparations et de retour au propriétaire après réparation ou remplacement du produit seront assumés par le propriétaire. En ce qui concerne les réclamations en garantie, la responsabilité d'OWT Industries, Inc., se limitera à la réparation ou au remplacement des produits défectueux et aucune revendication de rupture de garantie se pourra causer l'annulation ou la résiliation du contrat de vente d'un produit quel qu'il soit. Une preuve d'achat sera exigée par le centre de réparation, afin de valider toute réclamation au titre de la garantie. Toutes les réparations sous garantie devront être effectuées par un centre de réparations OWT Industries, Inc., agréé.

Cette garantie ne couvre pas les taille-bordures ayant fait l'objet d'un usage abusif ou négligent, d'un manque d'entretien, ayant été impliqués dans un accident ou employé de façon contraire aux instructions du manuel d'utilisation. Cette garantie ne couvre ni les dommages aux taille-bordures résultant d'un entretien incorrect, ni les produits altérés ou modifiés de façon à nuire au fonctionnement, aux performances et à la durabilité ou dans le but de l'utiliser pour un usage autre que celui prévu. La garantie exclut les réparations rendues nécessaires par l'usure normale ou l'utilisation de pièces et accessoires incompatibles avec le taille-bordures à moteur à essence ou nuisibles à son bon fonctionnement, ses performances ou sa durabilité.

En outre, cette garantie ne couvre pas les articles ci-dessous (exception faite des pièces couvertes par la garantie sur le contrôle des émissions, énoncée plus bas)

- A. Les réglages – Bougies, réglages du carburateur, filtres.
- B. Les articles consommables – Boutons d'avance par choc, bobines externes, lignes de coupe, bobines internes, poulies et cordons de lanceur, courroies d'entraînement, dents, rondelles en feutre, axes d'attelage, lames de paillage, ventilateur de soufflante, tubes de soufflage et d'aspiration, sacs à débris, guide, chaînes de scie

OWT Industries, Inc., se réserve le droit d'apporter des modifications ou améliorations à tout produit, sans obligation de modifier les produits fabriqués antérieurement.

LA DURÉE DE TOUTES LES GARANTIES IMPLICITES NE SAURAIT EN AUCUN CAS EXCÉDER LA PÉRIODE DE GARANTIE DÉCLARÉE. PAR CONSÉQUENT, TOUTES LES GARANTIES IMPLICITES, Y COMPRIS LES GARANTIES DE VALEUR MARCHANDE OU D'ADÉQUATION À UN USAGE PARTICULIER OU AUTRES SERONT INVALIDÉES À L'EXPIRATION DE LA PÉRIODE DE GARANTIE EXPRESSE DE DEUX ANS OU QUATRE-VINGT-DIX JOURS. LES OBLIGATIONS D'OWT INDUSTRIES, INC., DANS LE CADRE DE CETTE GARANTIE SE LIMITENT EXCLUSIVEMENT À LA RÉPARATION OU AU REMPLACEMENT DES PIÈCES DÉFECTUEUSES ET OWT N'ASSUME OU N'AUTORISE QUICONQUE À ASSUMER QUELQUE AUTRE OBLIGATION QUE CE SOIT. CERTAINS ÉTATS ET PROVINCES NE PERMETTANT PAS DE LIMITATION DE DURÉE DES GARANTIES IMPLICITES, LES RESTRICTIONS CI-DESSOUS PEUVENT NE PAS ÊTRE APPLICABLES.

OWT INDUSTRIES, INC., DÉCLINE TOUTE RESPONSABILITÉ EN CE QUI CONCERNE LES DOMMAGES DIRECTS, INDIRECTS OU AUTRES, Y COMPRIS, MAIS SANS S'Y LIMITER, LES FRAIS DE RETOUR DU TAILLE-BORDURES À UN CENTRE DE RÉPARATION AGRÉÉ ET DE RENVOI AU PROPRIÉTAIRE, DE DÉPLACEMENT D'UN TECHNICIEN, DE TÉLÉPHONE OU TÉLÉGRAMME, DE LOCATION D'UN PRODUIT SIMILAIRE PENDANT LA DURÉE DES RÉPARATIONS SOUS GARANTIE, DE DÉPLACEMENT, DE PERTES OU DOMMAGES À DES BIENS PERSONNELS, DE MANQUE À GAGNER, DE PERTE D'USAGE DU PRODUIT, DE PERTE DE TEMPS OU DE DÉRANGEMENT. CERTAINS ÉTATS ET PROVINCES NE PERMETTANT L'EXCLUSION OU LA LIMITATION DES DOMMAGES DIRECTS OU INDIRECTS, LES RESTRICTIONS CI-DESSOUS PEUVENT NE PAS ÊTRE APPLICABLES.

Cette garantie donne au consommateur des droits spécifiques, et celui-ci peut bénéficier d'autres droits, qui varient selon les états ou provinces.

Ce produit est fabriqué par OWT Industries, Inc., sous licence de The Toro Company.

Garantie

ÉNONCÉ DE LA GARANTIE LIMITÉE DE CONFORMITÉ AUX LOIS ANTIPOLLUTION FÉDÉRALES ET DE CALIFORNIE VOS DROITS ET OBLIGATIONS DE GARANTIE

OWT Industries, Inc. garantit expressément le système de contrôle des émissions de ce taille-bordures, conformément aux réglementations fédérales américaines et de l'état de Californie décrites ci-après :

OWT Industries, Inc. garantit à l'acheteur original et à tous les acheteurs ultérieurs que le moteur non routier utilisé sur ce produit était, au moment de la vente initiale, conçu, construit et équipé pour être conforme aux réglementations de l'EPA en vigueur et qu'il est exempt de tous vices de matériaux ou de fabrication pouvant causer sa non conformité aux réglementations en vigueur pendant la période de garantie.

La déclaration CARB suivante s'applique à tous les modèles.

Le California Air Resources Board (CARB) et OWT Industries, Inc. se font un plaisir de vous expliquer les conditions de garantie de conformité du système antipollution de votre petit moteur non routier. Les moteurs non routiers de petite cylindrée neufs utilisés en Californie, doivent être conçus, construits et équipés conformément aux strictes réglementations antipollution de cet État. OWT Industries, Inc., doit garantir (et garantit) le système de contrôle des émissions des petits moteurs non routiers pour la période indiquée ci-dessus, à condition qu'ils n'aient pas fait l'objet d'un usage abusif ou d'un manque d'entretien.

Le système de contrôle des émissions peut inclure des pièces telles que le carburateur ou le système d'injection de carburant, le système d'allumage et le convertisseur catalytique. Il peut également inclure les flexibles, courroies, connecteurs et autres articles relatifs au système d'émissions.

Dans l'éventualité d'un problème couvert par la garantie, OWT Industries, Inc. s'engage à réparer et diagnostiquer (sous réserve que le diagnostic soit effectué dans un centre de réparations agréé) le moteur non routier gratuitement, frais de pièces et main d'oeuvre inclus.

Durée de la garantie du fabricant

En Californie, les petits moteurs non routiers 1995 et ultérieurs sont garantis pour une période de deux ans, à compter de la date d'achat. Toute pièce du moteur se rapportant au système de contrôle des émissions s'avérant défectueuse sera réparée ou remplacée gratuitement par OWT Industries, Inc.

Responsabilités du propriétaire dans le cadre de la garantie

recommande de conserver tous les reçus relatifs à l'entretien du petit moteur non routier. Toutefois OWT Industries, Inc. ne peut par refuser la couverture de la garantie pour l'unique raison du manque de reçus ou parce que tous les entretiens prévus n'ont pas été effectués.

Le propriétaire du petit moteur non routier doit toutefois être averti que les réparations couvertes par la garantie peuvent être refusées par OWT Industries, Inc., si la défaillance de ce moteur est due à un usage abusif, la négligence, un manque d'entretien ou des modifications non approuvées.

Le propriétaire est tenu de confier son petit moteur non routier à un centre de réparations OWT Industries, Inc. dès qu'un problème se présente. Les réparations sous garantie seront effectuées dans un délai raisonnable, ne dépassant pas 30 jours.

Pour toute question concernant les droits et responsabilités de l'acheteur dans le cadre de la garantie, contacter le service après-vente d'OWT Industries, Inc., au 1-866-574-9242 (États-Unis) ou 1-866-574-9243 (Canada).

Les pièces de ce produit se rapportant au système de contrôle des émissions et couvertes par la garantie sont : Carburateur, bougie, allumage, filtre à air et filtre à carburant.

Entretien

Il incombe au propriétaire d'effectuer tous les entretiens nécessaires indiqués dans le manuel d'utilisation OWT Industries, Inc.

Limitations

La garantie du système de contrôle des émissions exclut :

- a) Les réparations ou remplacements rendus nécessaires par un usage abusif ou la négligence, le manque d'entretien, des réparations incorrectes ou des remplacements non conformes aux spécifications d'OWT Industries, Inc., affectant le fonctionnement et / ou la durabilité, ainsi que les altérations ou modifications pas recommandées ou approuvées par écrit de la part d'OWT Industries, Inc. et
- b) Le remplacement des pièces, ainsi que les services et réglages nécessaires pour un entretien requis, à la date ou après la date prévue.

La période de conformité aux réglementations antipollution de l'autocollant de conformité d'émissions indique le nombre nominal d'heures de fonctionnement du moteur conformément aux réglementations du gouvernement fédéral américain.

Catégorie C = 50 heures, B = 125 heures, A = 300 heures.

Garantie

CE PRODUIT A ÉTÉ ÉQUIPÉ EN USINE D'UN CONVERTISSEUR CATALYTIQUE

Félicitations ! Vous venez d'investir dans la protection de l'environnement. Pour maintenir le niveau d'émissions original de ce produit, voir la section Entretien ci-dessous.

PROGRAMME D'ENTRETIEN DU SYSTÈME D'ÉMISSIONS ET LISTE DES PIÈCES GARANTIES

Pièces du système	Inspecter avant chaque utilisation	Nettoyer toutes le 5 heures de fonctionnement	Remplacer toutes les 25 heures ou chaque année	Remplacer toutes les 25 heures ou chaque année	Reemplácelo cada 50 heures
-------------------	------------------------------------	---	--	--	----------------------------

CONJUNTO DE SILENCIADOR CATALÍTICOX

FILTRE À AIR

INCLUT :

ÉLÉMENT FILTRANTXX

ÉCRAN PARE-ÉTINCELLES X

CARBURATEUR

INCLUT :

ÉCRAN THERMIQUE

JOINTS

RÉSERVOIR DE CARBURANT

INCLUT :

CONDUITES DE CARBURANTX

BOUCHON DU RÉSERVOIR

DE CARBURANTX

FILTRE À CARBURANT

ALLUMAGE

INCLUT :

BOUGIEX

TOUTES LES PIÈCES RELATIVES AU SYSTÈME DE CONTRÔLE DES ÉMISSIONS SONT GARANTIES DEUX ANS OU POUR LA PÉRIODE ANTÉRIEURE AU PREMIER REMPLACEMENT PRÉVU, SELON LA PREMIÈRE ÉCHÉANCE.



NOUS APPELER D'ABORD

Pour toute question concernant l'utilisation ou l'entretien utiliser ce produit, appeler le service d'assistance téléphonique Toro®!

Le taille-bordures à été entièrement testé avant expédition pour assurer la complète satisfaction de l'utilisateur.



Service après-vente

Pour tout entretien ou réparation du produit, contacter le centre de réparations agréé le plus proche. Pour obtenir l'adresse du centre de réparations agréé le plus proche, appeler gratuitement le 1-866-574-9242 (États-Unis) ou le 1-866-574-9243 (Canada).

OWT Industries, Inc.

P.O. Box 35
Highway 8
Pickens, SC 29671
États-Unis



Recortadora/Desbrozadora

Modelo 51950A—250000001 en Adelante

Modelo 51970A—250000001 en Adelante

Modelo 51990A—250000001 en Adelante



Manual del operador



ADVERTENCIA:

Para reducir el riesgo de lesiones, el usuario debe leer y comprender el manual del operador.
Guarde este manual.



LEA ESTA INFORMACIÓN

Antes de utilizar su nueva recortadora/desbrozadora, lea las siguientes útiles sugerencias iniciales.

Abastecimiento de combustible

PELIGRO:

La gasolina es extremadamente inflamable y explosiva. Un incendio o una explosión de gasolina le causará quemaduras a usted y a otras personas.

1. Obtenga un recipiente limpio aprobado para gasolina.
2. Mezcle todo el aceite para motor de dos tiempos con un galón americano de gasolina sin plomo con un octanaje de 87.
3. Llene cuidadosamente el tanque de gasolina de la recortadora.

Arranque enfrió y en caliente


¿Irá a arrancar el motor? Si no arranca, es posible que esté ahogado. No se preocupe, ya que esto es fácil de corregir. Ponga la palanca del anegador en la posición RUN [FUNC.] (anegador abierto). Oprima el gatillo y tire con rapidez de la cuerda del arrancador de 10 a 12 veces.

Con el motor ahogado

Cuando vuelve a arrancar la recortadora/desbrozadora y no está seguro si aún está caliente el motor, ponga la palanca del anegador en la posición de RUN [FUNCIONAMIENTO] (anegador abierto) y tire de la cuerda del arrancador. Si el motor no arranca a los cinco tirones, consulte el apartado "Arranque con el motor frío", más abajo en este manual. Si el motor no arranca, consulte el apartado "Corrección de problemas", más abajo en este manual, o llame a las líneas gratuitas 1-866-574-9242 (EE.UU.) ó 1-866-574-9243 (Canadá).



Para toda pregunta relacionada con su recortadora / cortadora de maleza, llámenos sin cargo al 1-866-574-9242.

 ADVERTENCIA: Las emanaciones provenientes del escape del motor de esta herramienta contienen productos químicos los cuales, para el gobierno del Estado de California, son sabidos causantes de cáncer, defectos congénitos u otras afecciones del sistema reproductivo.

Características

Especificaciones

Introducción	4
Reglas de seguridad	5-6
Símbolos	6-7
Etiquetas del producto.....	8
Características	9-11
Especificaciones.....	9
Armado	13-16
Desempaquetado.....	12
Conexión del accesorio al eje superior	13
Desmontaje del accesorio del eje superior.....	13
Montaje del mango delantero	13
Fijación de la correa para el hombro	13
Montaje del deflector de pasto	14
Conversión de desbrozadora a recortadora.....	15
Conversión de recortadora a desbrozadora.....	16
Funcionamiento.....	17
Usos	17
Mezcla del combustible	17
Llenado del tanque.....	17
Arranque de la herramienta.....	18
Apagado de la herramienta	18
Utilización de la recortadora.....	19
Utilización de la desbrozadora.....	20
Mantenimiento	21
Programa de mantenimiento para control de emisiones	21
Limpieza de la herramienta	21
Servicio de la herramienta	21
Reabastecimiento del hilo de corte	21-22
Cambio del carrete.....	22
Revisión de la tapa del tanque de combustible.....	23
Limpieza del filtro de aire.....	23
Limpieza del parachispas.....	23
Cambio de la bujía	24
Almacenamiento del producto	24
Transporte del producto	24
Corrección de problemas	25
Garantía.....	26-27

Introducción

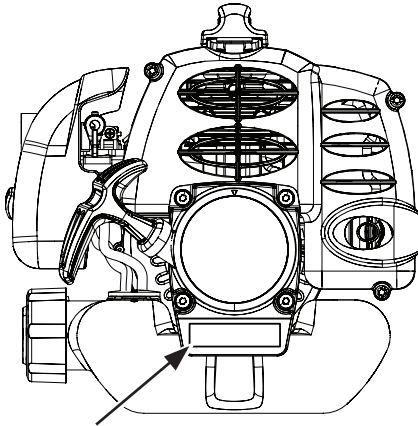
Le agradecemos la compra de un producto Toro.

Nos gustaría lograr su completa satisfacción con su nuevo producto, por lo cual le suplicamos ponerse en contacto con un establecimiento de servicio autorizado si necesita servicio, piezas Toro genuinas o cualquier información.

Siempre que se comunique con un establecimiento de servicio autorizado, tenga a la mano el número de modelo y el de serie del producto. Estos números ayudan al empleado de servicio a proporcionarle información precisa sobre su producto en particular. La calcomanía pegada en el alojamiento del motor muestra el número de modelo y el de serie de la herramienta.

Para su conveniencia, escriba el número de modelo y el de serie del producto en el espacio de abajo.

Modelo	
Núm. de serie	



Modelo./Núm. de serie

Lea este manual cuidadosamente de manera que aprenda la forma correcta de manejar y dar mantenimiento a la herramienta. La lectura de este manual le ayudará a usted y a otras personas a evitar lesiones corporales y daños al producto. Aunque Toro diseña, fabrica y comercializa productos seguros y técnicamente avanzados, usted es responsable de usar el producto de manera correcta y segura. También usted es responsable de enseñar a manejar con seguridad la herramienta a quienes les permite utilizarla.

El sistema de avisos de advertencia empleado por Toro en este manual identifica posibles peligros y tiene mensajes especiales de seguridad que le ayudarán a usted y a otras personas a evitar lesiones corporales, e incluso la muerte. PELIGRO, ADVERTENCIA y PRECAUCION son palabras de aviso empleadas para identificar el nivel de peligro. No obstante, independientemente del peligro señalado, siempre tenga extremo cuidado. Dos palabras adicionales, “Importante” y “Nota”, ponen en relieve determinada información.

Palabra de aviso	Explicación
PELIGRO	Indica una situación peligrosa inminente, la cual, si no se evita, causará la muerte o lesiones serias.
ADVERTENCIA	Indica una situación peligrosa posible, la cual, si no se evita, podría causar la muerte o lesiones serias.
PRECAUCIÓN	Indica una situación peligrosa posible, la cual, si no se evita, podría causar lesiones menores o leves. También puede aparecer para alertar contra el empleo de prácticas inseguras que puedan causar daños materiales.
Importante	Ofrece información o instrucciones importantes que son vitales para el manejo o el mantenimiento del equipo.
Nota	Ofrece información adicional en relación con el manejo o el mantenimiento del equipo.

Reglas de seguridad

ADVERTENCIA:

Lea y comprenda todas las instrucciones. El incumplimiento de cualquiera de las instrucciones puede causar lesiones corporales serias, así como daños al producto.

Este producto ha sido diseñado y fabricado para satisfacer o sobrepasar los requisitos de la versión actual de la norma ANSI B175.3, que son los requisitos de seguridad para recortadoras de hilo y desbrozadoras de gasolina.

- **Condición física del operador.** No utilice este producto si está cansado, enfermo, o se encuentra bajo los efectos de alguna droga, alcohol o medicamento.
- **Requisitos relacionados con la ropa.** Siempre póngase pantalones, botas y guantes largos y gruesos. No se ponga ropa holgada, joyas, pantalones cortos o sandalias, ni ande descalzo. Recójase el cabello si lo tiene largo, de manera que le quede arriba del nivel de los hombros para evitar que se enrede en las piezas móviles.
- **Requisitos relacionados con accesorios de protección.** Al utilizar este producto póngase protección ocular marcada con el sello de cumplimiento de las normas ANSI Z87.1. Durante períodos prolongados de utilización del producto, póngase protección para los oídos.
- **Estado de la recortadora antes de usarse.** Inspeccione el producto cada vez antes usarlo. Reemplace toda pieza dañada. Revise la herramienta para ver si tiene fugas de combustible. Asegúrese de que todos los tornillos y demás elementos de unión estén en lugar y bien firmes. Cambie toda pieza del accesorio de corte que esté agrietada, rota o dañada de cualquier forma. Asegúrese de que el accesorio de corte esté debidamente instalado y firmemente asegurado. Asegúrese de que la protección del accesorio de corte esté debidamente montada, y en la posición recomendada por el fabricante. Solamente utilice hilo de corte flexible no metálico recomendado por el fabricante. Por ejemplo, nunca utilice alambre ni cable, segmentos de los cuales pueden desprenderse y convertirse en peligrosos proyectiles.
- **Postura correcta.** Mantenga los pies bien afirmados y el equilibrio. No trate de alcanzar demasiado lejos. Mantenga el accesorio de corte abajo del nivel de la cintura. Mantenga todas las partes del cuerpo alejadas del accesorio de corte en movimiento de rotación y de las superficies calientes.
- **Gases del escape.** Nunca arranque ni opere el producto dentro de un cuarto o edificio cerrado; la inhalación de las emanaciones del escape puede causar enfermedad e incluso la muerte.
- **Abastecimiento de combustible.** Mezcle el combustible y reabastezca el tanque al aire libre, donde no haya chispas ni llamas. Retire con lentitud la tapa del tanque de combustible, y solamente después de apagar el motor. No fume mientras esté mezclando el combustible o reabasteciendo el tanque. Limpie todo el combustible que se haya derramado del producto. Aléjese por lo menos 30 pies (9 metros) del lugar y de la fuente de reabastecimiento de combustible antes de arrancar el motor.
- **Área de trabajo.** Siempre despeje el área de trabajo antes de poner a funcionar la herramienta. Retire todos los objetos como piedras, vidrio roto, clavos, alambre o cuerda que puedan salir lanzados o enredarse en el accesorio de corte. Aleje del área de trabajo a todas las personas presentes, niños y animales. Mantenga a todas las personas presentes, niños y animales afuera de un radio de 50 pies (15 metros) por lo menos. Debido a que los objetos lanzados aún pueden significar un riesgo de lesiones para las personas presentes, debe exhortarse a éstas a ponerse protección ocular. Si alguien se aproxima mientras usted está utilizando la herramienta, apague el motor y el accesorio de corte.
- **Entornos peligrosos.** Para evitar caídas, no use la herramienta en lugares húmedos o mojados.
- **Control de la herramienta.** El accesorio de corte puede girar durante los ajustes del carburador. Por lo tanto debe ponerse equipo de protección y observar todas las instrucciones de seguridad al ajustar el carburador. Para los productos equipados de embrague, asegúrese de que el accesorio de corte deje de girar al tenerse el motor en marcha lenta. Cuando esté apagada la herramienta, asegúrese de que el accesorio de corte se haya detenido antes de dejarla en reposo.
- **Utilice la herramienta adecuada para la tarea.** Solamente utilice este producto para el propósito para el que fue hecho.
- **Estado de la desbrozadora antes de usarse.** Los mangos deben montarse de conformidad con las instrucciones del fabricante. No monte ninguna hoja de corte en un producto sin la debida instalación de todas las piezas requeridas. Si no se utilizan todas las piezas correctas puede desprenderse la cuchilla, con las consiguientes posibles lesiones del operador y de las personas presentes. Deseche toda cuchilla doblada, torcida, agrietada, rota o dañada de cualquier forma.
- **Utilice el equipo adecuado para la tarea.** Siempre utilice la barra protectora del mango delantero y la correa para el hombro al usar la desbrozadora.
- **Contragolpe de la cuchilla.** Cuando la cuchilla en su movimiento giratorio toca un objeto que no se corta de inmediato, puede ocurrir un contragolpe de la misma. El contragolpe de la cuchilla puede ser lo suficientemente violento como para lanzar en cualquier dirección tanto a la herramienta como al operador, con la consiguiente posible pérdida de control de la misma. El contragolpe de la cuchilla puede ocurrir sin ninguna señal previa si la cuchilla se engancha, se trava o se atasca. Esto tiene más probabilidad de ocurrir en áreas donde es difícil ver el material que está cortándose.
- **Apagado de la herramienta.** La cuchilla puede causar lesiones en su giro de inercia después de apagarse el motor, o de soltarse el acelerador. Mantenga un control adecuado de la herramienta hasta que se detenga por completo la cuchilla.

Reglas de seguridad









Este motor está equipado de silenciador con parachispas. Constituye violación de la Sección 4442 del Código de Recursos Públicos de California usar u operar este motor sin silenciador con parachispas en cualquier terreno boscoso, con maleza o con pasto. Otros estados o áreas federales pueden tener leyes similares.

Este sistema de encendido cumple con la norma canadiense ICES-002.

Guarde estas instrucciones. Consúltelas con frecuencia y empléelas para instruir a otras personas que puedan utilizar este producto. Si presta a alguien este producto, facilítele también las instrucciones.




Símbolos

En el producto aparecen los siguientes símbolos. Le suplicamos estudiarlos y aprender su significado. Una correcta interpretación de estos símbolos le permitirá utilizar mejor y de manera más segura el producto.

Símbolo	Nombre	Explicación
	Símbolo de alerta de seguridad	Precauciones para su seguridad.
	Lea el manual del operador	Lea cuidadosamente el manual del operador antes de arrancar o de utilizar este producto. La inobservancia de las instrucciones de funcionamiento y las medidas de precaución señaladas en el manual del operador puede causar lesiones serias.
	Póngase protección para los ojos y los oídos	Al utilizar esta herramienta, póngase protección para los ojos con la marca de cumplimiento de las normas ANSI Z87.1, así como protección para los oídos.
	Mantenga alejadas a las personas presentes	Mantenga a todos los presentes por lo menos a 50 pies (15 metros) de distancia.
	Rebote	Cualquier objeto lanzado puede rebotar y producir lesiones personales o daños físicos.
	No instale hoja de corte	No instale ni utilice ningún tipo de hoja de corte en ningún producto con este símbolo.
	Contragolpe de la hoja de corte	Tenga cuidado con el contragolpe de la hoja de corte. Los productos autorizados para usarse con hoja de corte muestran este símbolo de alerta sobre el contragolpe de la misma.
	Gasolina y aceite	Use gasolina sin plomo destinada para vehículos con un octanaje de 87 $([R + M] / 2)$ o más. Este producto está accionado por un motor de 2 tiempos y requiere el premezclado de gasolina y aceite para motor de 2 tiempos.

Símbolos

Las siguientes palabras de señalización y sus significados tienen el objeto de explicar los niveles de riesgo relacionados con este producto.

SÍMBOLO	SEÑAL	SIGNIFICADO
	PELIGRO:	Indica una situación peligrosa inminente, la cual, si no se evita, causará la muerte o lesiones serias.
	ADVERTENCIA:	Indica una situación peligrosa posible, la cual, si no se evita, podría causar la muerte o lesiones serias.
	PRECAUCIÓN:	Indica una situación peligrosa posible, la cual, si no se evita, podría causar lesiones menores o leves.
	PRECAUCIÓN:	(Sin el símbolo de alerta de seguridad) Indica una situación que puede producir daños materiales.

SERVICIO

El servicio de la herramienta requiere extremo cuidado y conocimientos técnicos, por lo cual sólo debe ser efectuado por un técnico de servicio calificado. Para dar servicio a la herramienta, le sugerimos llevarla al **CENTRO DE SERVICIO AUTORIZADO** de su preferencia para que la reparen. Al dar servicio a la unidad, sólo utilice piezas de repuesto idénticas.



ADVERTENCIA:

Para evitar lesiones corporales serias, no intente utilizar este producto sin haber leído y comprendido totalmente el manual del operador. Guarde este manual del operador y estúdielo frecuentemente para lograr un funcionamiento seguro y continuo de este producto, y para instruir a otras personas quienes pudieran utilizarlo.



ADVERTENCIA:










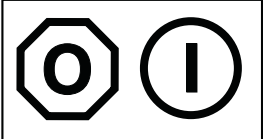



Cualquier herramienta eléctrica en funcionamiento puede lanzar objetos hacia los ojos, lo cual puede causar serios daños a los mismos. Antes de comenzar a utilizar una herramienta eléctrica, póngase siempre gafas de seguridad o anteojos protectores con protección lateral y careta completa si es necesario. Recomendamos la careta protectora de visión amplia encima de los anteojos normales, o los anteojos protectores estándar con protección lateral. Siempre póngase protección ocular con la marca de cumplimiento de la norma ANSI Z87.1.

GUARDE ESTAS INSTRUCCIONES

Etiquetas del producto

Las etiquetas e instrucciones del producto son fácilmente visibles al operador, y están situadas cerca de cualquier área de posible peligro. Reemplace toda etiqueta dañada o faltante.

<p>Pieza núm.986178-001</p>  <p>NO PARA ARRANCAR: OPRIMA EL GATILLO DEL ACELERADOR HASTA QUE NO ARRANQUE Y QUEDE FUNCIONANDO EL MOTOR.</p> <p>1 CEBAR  x7</p> <p>2 FIJAR  ARRANQUE FUNC. →</p> <p>3 TIRAR  = ARRANQUE</p> <p>4 PERMITA QUE FUNCIONE EL MOTOR DURANTE 15 SEGUNDOS. OPRIMA EL GATILLO </p> <p>APAGADO:  Para parar, oprima el interruptor</p> <p>Si necesita asistencia llame al: 1-866-574-9242 986178-001</p>	<p>Pieza núm. 984032-001</p> 
<p>Pieza núm. 985102-001</p> 	<p>Pieza núm. 984105-001</p> 
<p>Pieza núm. 984240-001</p>  <p>ARRÊT MARCHÉ</p>	<p>Pieza núm. 983961-001 (correa para el hombro)</p> 

Características

Especificaciones

Nombre	Especificación
Motor	25.4 cc, de biela grande
Ancho de corte	
Modelo 51950A	17 pulg. (43.2 cm)
Modelo 51970A	18 pulg. (45.7 cm)
Modelo 51990A	8 pulg. (20.3 cm) la desbrozadora, 18 pulg. (45.7 cm) la recortadora
Diámetro del hilo	0.095 pulg. (2.4 mm)
Peso	
Modelo 51950A	12-1/2 lb. (5.7 kg)
Modelo 51970A	13-1/2 lb. (6.1 kg)
Modelo 51990A	13-1/2 lb. (6.1 kg)

Características

Familiarícese con el recortadora/ desbrozadora

Vea la figura 1.

Antes de usar este producto, familiarícese con todas las características de funcionamiento y requisitos de seguridad del mismo.

Características comunes

Motor

El motor es potente y fácil de arrancar. Tiene equilibrio dinámico, lo cual significa menor vibración y mayor duración.

Diseño ergonómico

El diseño del producto permite un fácil manejo del mismo. El diseño brinda una sujeción cómoda y fácil para el trabajo en diferentes posiciones y ángulos.

Características de las recortadoras de ejes curvo y recto

(Modelo 51950A/51970A)

Hilo doble

El hilo doble permite un corte más eficiente que el hilo sencillo.

Deflector de pasto

El deflector de pasto protege al operador de los desechos lanzados por la herramienta.

Características de la desbrozadora (Modelo 51990A)

Cuchilla

La cuchilla Tri-Arc® permite cortar hierba, enredaderas y maleza delgada.

Protección de la desbrozadora

La protección de la desbrozadora protege al operador de la cuchilla y de los desechos lanzados por la herramienta.

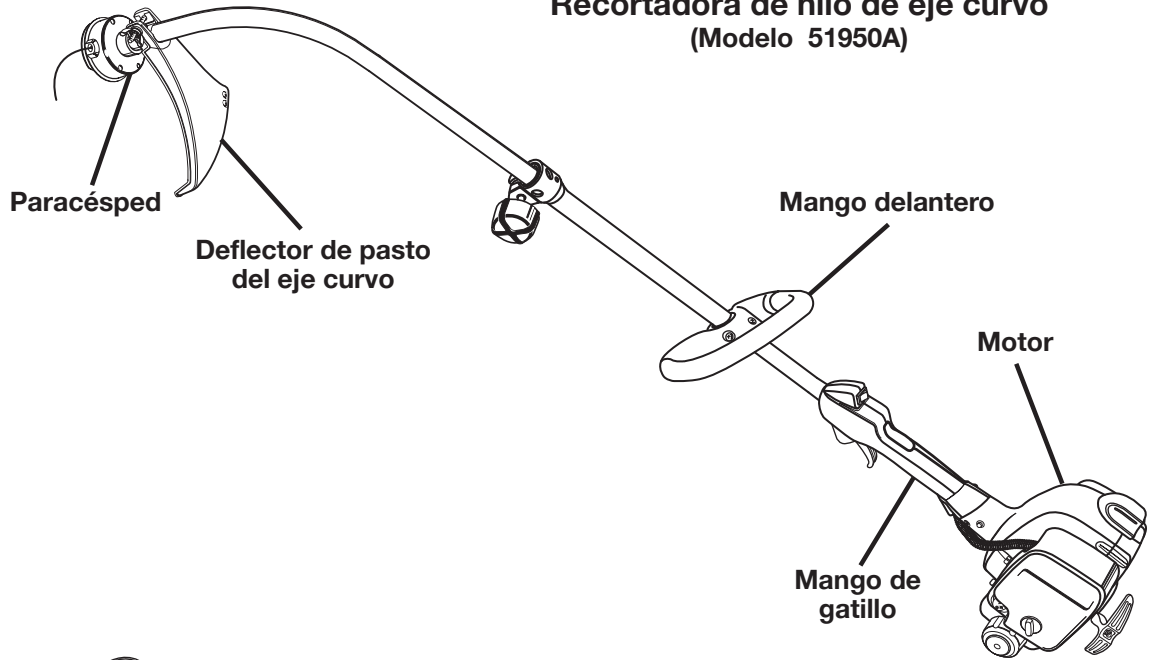
Correa para el hombro

La desbrozadora viene con una correa para el hombro que ayuda a sostener la herramienta.

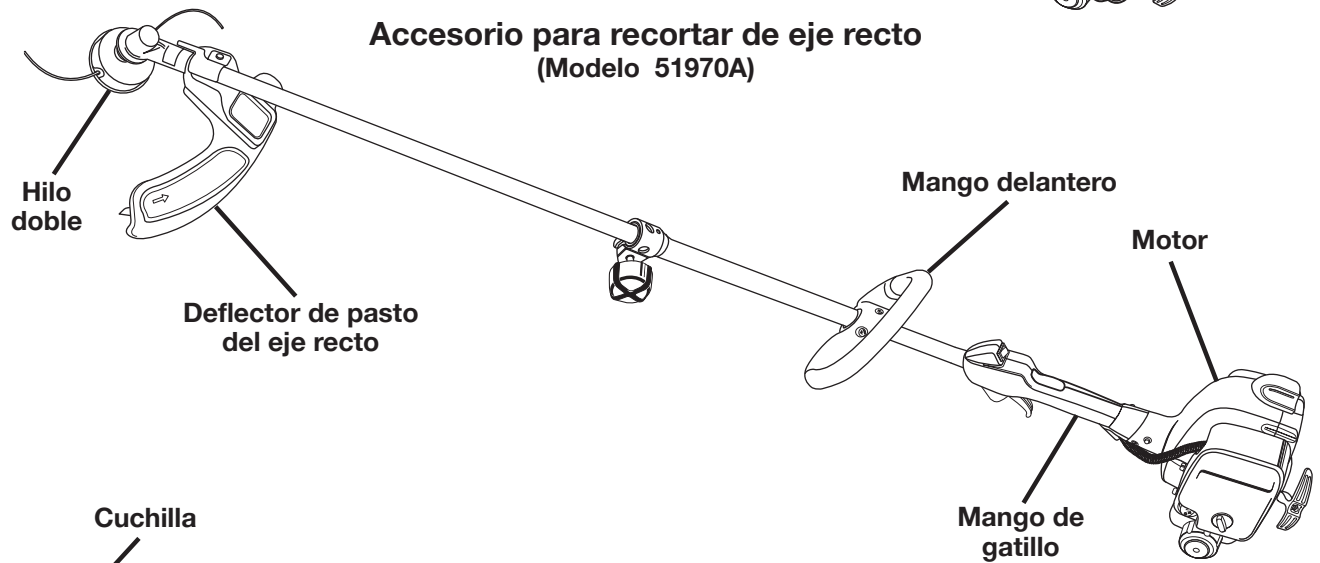
Barra protectora

El mango de la desbrozadora dispone de una barra protectora que mantiene al operador en su posición, a una distancia adecuada entre él y la cuchilla.

**Recortadora de hilo de eje curvo
(Modelo 51950A)**



**Accesorio para recortar de eje recto
(Modelo 51970A)**



**Desbrozadora
(Modelo 51990A)**

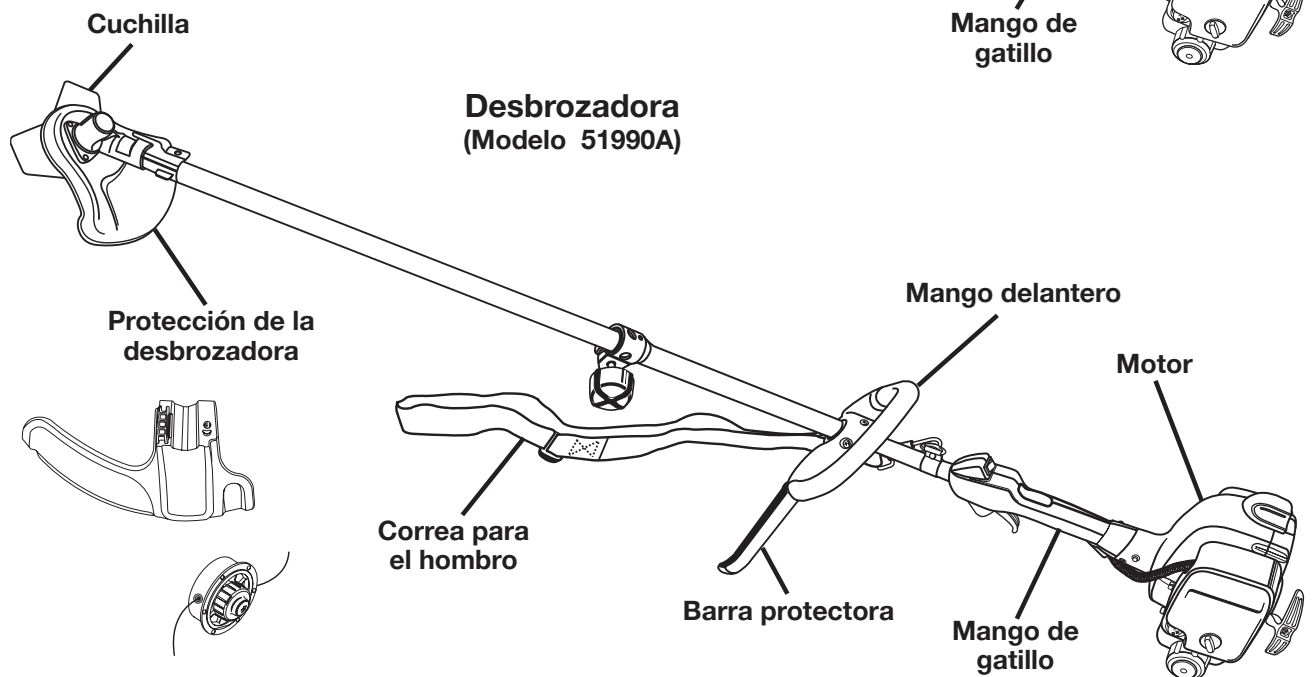


Figura 1

Desempaquetado

Instrucciones

- Extraiga cuidadosamente el producto de la caja.
- Inspeccione cuidadosamente el producto para asegurarse de que no haya sufrido ninguna rotura o daño durante el transporte.
- No deseche el material de empaquetado hasta que haya inspeccionado cuidadosamente el producto y lo haya utilizado satisfactoriamente.
- Si hay piezas dañadas o faltantes, le suplicamos llamar al 1-866-574-9242, donde le brindaremos asistencia.

Lista de empaquetado

Eje superior (cabezal motor) (1)

Eje del accesorio (cabezal de corte) (1)

Mango (1)

Deflector de pasto del eje curvo (1) (Modelo 51950A)

Deflector de pasto del eje recto (1) (Modelo 51970A & y Modelo 51990A)

Paracésped (Modelo 51950A)

Tornillo de cab. hex. - 1/4-20 x 2 pulg. (1)
(Modelo 51950A)

Arandela de seguridad (1) (Modelo 51950A)

Arandela plana (1) (Modelo 51950A)

Tuerca de mariposa (1) (Modelo 51950A)

Aceite

Herramienta de fijación del cabezal de corte (1)
(Modelo 51990A)

Correa para el hombro (1) (Modelo 51990A)

Tapa de almacenamiento

ADVERTENCIA:

Si faltan piezas, no utilice el producto hasta que haya reemplazado todas. La inobservancia de esta advertencia puede causar lesiones corporales serias.

ADVERTENCIA:

No intente modificar este producto ni hacer accesorios no recomendados para el mismo. Cualquier alteración o modificación constituye maltrato y puede causar una condición peligrosa, y como consecuencia lesiones corporales serias.

ADVERTENCIA:

No arranque la recortadora/desbrozadora sin haber terminado de armarla. De lo contrario la unidad puede ponerse en marcha accidentalmente, con el consiguiente riesgo de lesiones serias.

Armado

Conexión del accesorio al eje superior

Vea la figura 2.

Para conectar el accesorio al eje superior siga estos pasos.

1. Afloje la perilla girándola hacia la izquierda.
2. Retire la tapa del extremo del eje del accesorio.
3. Alinee el botón del eje del accesorio con el hueco guía del eje superior.
4. Introduzca el eje del accesorio en el eje superior hasta que entre con un chasquido en su lugar.

Nota: Es posible que necesite girar el eje del accesorio para poder alinear correctamente los dos ejes.

5. Apriete la perilla firmemente girándola hacia la derecha.

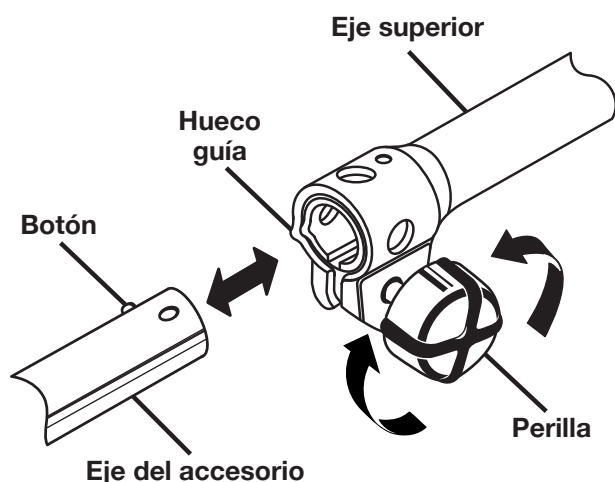


Figura 2

Desmontaje del accesorio del eje superior

Vea la figura 2.

Para desmontar el accesorio del eje superior, siga estos pasos.

1. Afloje la perilla girándola hacia la izquierda.
2. Oprima el botón al mismo tiempo que extrae el accesorio.

Montaje del mango delantero

Vea la figura 3.

Para montar el mango delantero realice los siguientes pasos.

1. Retire los tornillos Torx™ de ranura para separar el mango del soporte del mismo.
2. Monte el mango en la parte de arriba del eje superior, no menos de 10 pulg. (25.4 cm) a partir del centro del mango de gatillo, poniendo el mango en ángulo hacia el mango de gatillo.

3. Coloque el mango a lo largo del eje superior en una posición que permita un manejo cómodo de la herramienta.
4. Coloque el soporte del mango en la parte inferior del tubo del lado opuesto del mango delantero.
5. Asegure el mango con los tornillos Torx™ de ranura.

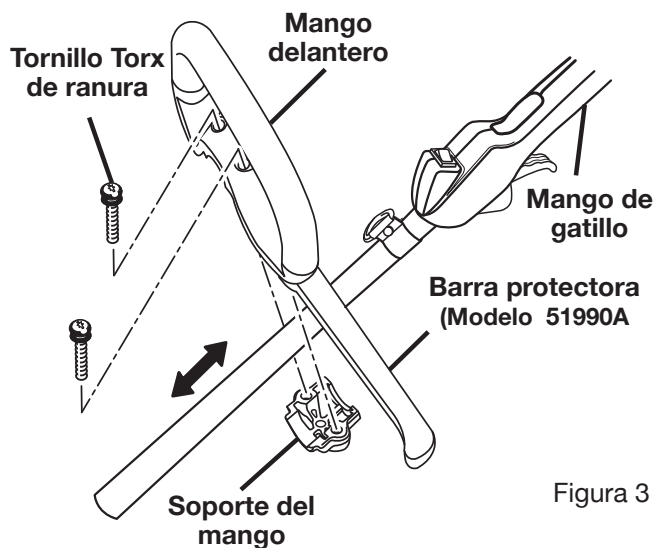


Figura 3

Fijación de la correa para el hombro Modelo 51990A

Vea la figura 4.

Para fijar la correa para el hombro realice los siguientes pasos.

1. Enganche el broche de la correa en el soporte de suspensión.
2. Ajuste la correa para dejarla en una posición cómoda.

Nota: Para soltar con rapidez la herramienta de la correa para el hombro, tire energícamente de la orejeta de desenganche rápido.

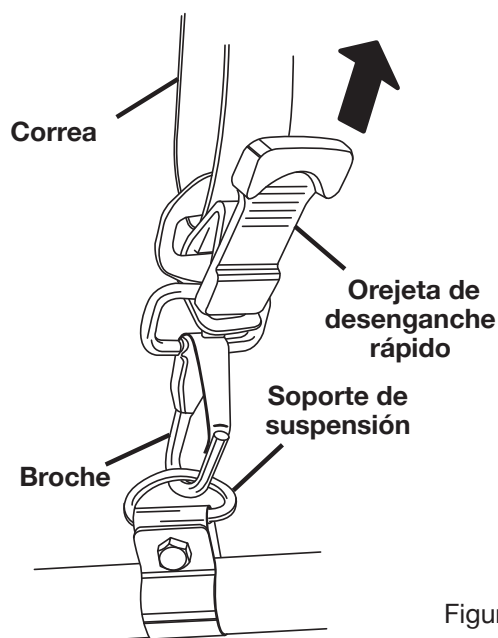


Figura 4

Montaje del deflector de pasto

El montaje del deflector de pasto difiere según sea el tipo de recortadora: de eje curvo o de eje recto.

⚠ ADVERTENCIA:

La cuchilla de cortar el hilo del deflector de pasto está afilada. Evite tocar la cuchilla. Si no se evita tal contacto pueden producirse lesiones serias.

Nota: Para proteger al operador, asegúrese siempre de montar el deflector de pasto.

Para montar el deflector de pasto del eje curvo Modelo 51950A

Vea la figura 5.

Para montar el deflector de pasto del eje curvo siga estos pasos.

1. Monte el deflector de pasto en la parte inferior del eje curvo, como se muestra.
2. Levante un poco el paracésped.
3. Introduzca el tornillo de cabeza hexagonal a través del deflector de pasto, del soporte y del paracésped.
4. Coloque la arandela plana y la de seguridad en el tornillo de cabeza hexagonal.
5. Coloque la tuerca de mariposa o hexagonal en el tornillo de cabeza hexagonal y gírela hacia la derecha para asegurarla.

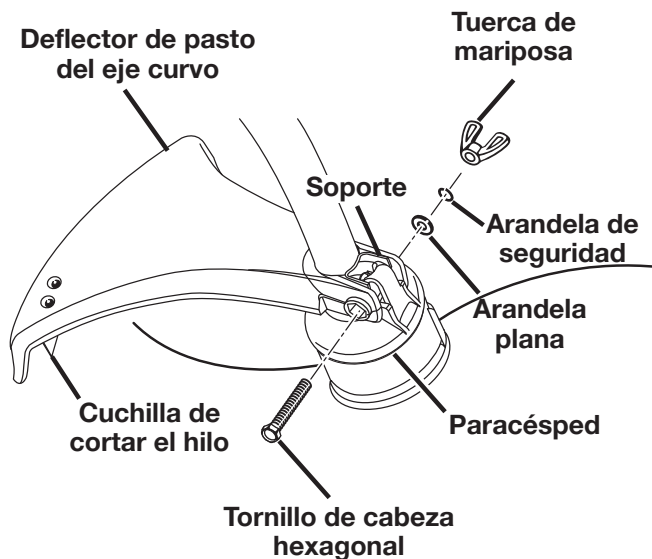


Figura 5

Para montar el deflector de pasto del eje recto Modelo 51970A y Modelo 51990A

Vea la figura 6.

Para montar el deflector de pasto del eje recto siga estos pasos.

1. Retire el tornillo de cabeza hexagonal ranurada del deflector de pasto.
2. Introduzca la orejeta del soporte de montaje en la ranura del deflector de pasto.
3. Alinee el orificio del tornillo en el soporte de montaje con orificio del tornillo del deflector de pasto.
4. Introduzca el tornillo de cabeza hexagonal ranurada a través del soporte de montaje y en el deflector de pasto.
5. Apriete firmemente el tornillo.

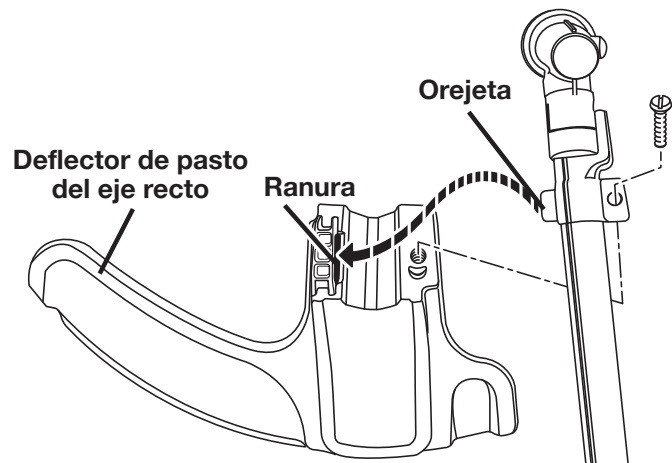


Figura 6

Conversión de desbrozadora a recortadora

Modelo 51990A

Para convertir la herramienta, de desbrozadora a recortadora, retire la cuchilla y la protección de la desbrozadora, y monte el deflector de pasto y el cabezal de la recortadora.

Para retirar la cuchilla y la protección de la desbrozadora

Veá las figuras 7 y 8.

Para desmontar la cuchilla y la protección de la desbrozadora siga estos pasos.

1. Alinee la ranura de la arandela de brida con la ranura del cabezal de engranajes.
2. Coloque la herramienta de fijación del cabezal a través de la ranura de la rondana de brida y del cabezal de engranajes.
3. Retire la tuerca de la cuchilla; para ello, gírela hacia la derecha (tiene rosca izquierda).
4. Retire la rondana cóncava y la cuchilla.



ADVERTENCIA:

Tenga cuidado al manejar la cuchilla. Está afilada. La inobservancia de esta advertencia puede causar lesiones corporales serias.

5. Retire del eje de los engranajes la rondana de brida y consérvela para la instalación de la unidad del cabezal de la recortadora.
6. Retire los tres tornillos encargado de fijar la protección de la desbrozadora.
7. Retire la protección de la desbrozadora.

Nota: Guarde juntas las piezas de la desbrozadora para futuro uso.

Para montar el deflector de pasto

Consulte “Para montar el deflector de pasto para eje recto”, más arriba en este manual.

Para instalar la unidad del cabezal de la recortadora

Veá la figura 9.

Para instalar la unidad del cabezal de la recortadora siga estos pasos.

1. Alinee la ranura de la arandela de brida con la ranura del cabezal de engranajes.
2. Introduzca la herramienta de fijación del cabezal a través de la rondana de brida y del cabezal de engranajes.
3. Instale el eje de impulsión y la unidad del cabezal de la recortadora en el eje de los engranajes; para ello, gire el eje de impulsión hacia la izquierda (tiene rosca izquierda).
4. Apriete firmemente el eje de impulsión.

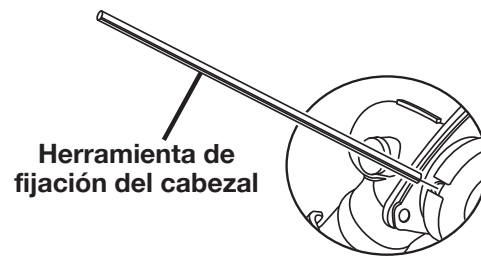


Figura 7

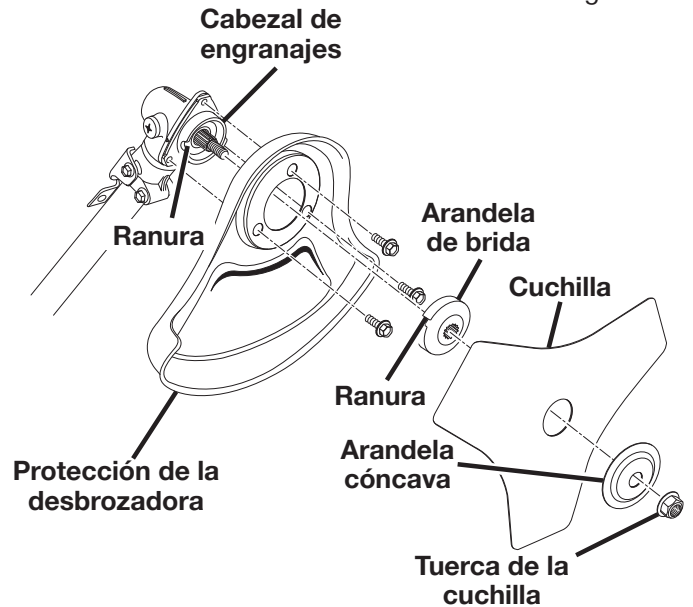


Figura 8

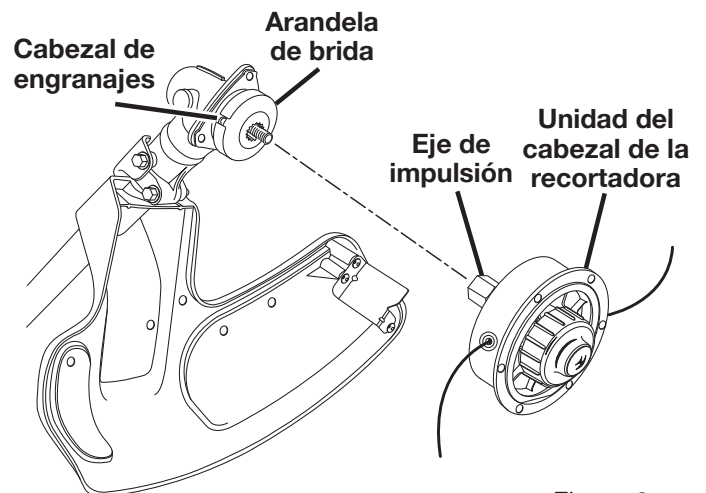


Figura 9

Conversión de recortadora a desbrozadora

Núms. de Modelo 51990A

Para convertir la herramienta, de recortadora a desbrozadora, retire la unidad del cabezal de la recortadora y el deflector de pasto, y monte la protección de la desbrozadora y la cuchilla.

Para desmontar la unidad del cabezal de la recortadora y el deflector de pasto

Vea las figuras 10 y 11.

Para desmontar la unidad del cabezal de la recortadora y el deflector de pasto, siga estos pasos.

1. Alinee la ranura de la arandela de brida con la ranura del cabezal de engranajes.
2. Introduzca la herramienta de fijación del cabezal a través de la rondana de brida y del cabezal de engranajes.
3. Desmonte el eje de impulsión y la unidad del cabezal de la recortadora; para ello, gire el eje de impulsión hacia la derecha (tiene rosca izquierda).
4. Retire la arandela de brida y consérvela para la instalación de la cuchilla.
5. Retire el tornillo encargado de fijar el deflector de pasto.
6. Retire el deflector de pasto.

Nota: Guarde juntas las piezas de la unidad del cabezal de la recortadora para futuro uso.

Para montar la protección de la desbrozadora

Vea la figura 12.

Nota: Para proteger al operador, asegúrese siempre de montar la protección de la desbrozadora.

Para montar la protección de la desbrozadora siga estos pasos.

1. Coloque la protección en el cabezal de engranajes, como se muestra.
2. Introduzca los tres tornillos de cabeza hexagonal por la parte inferior, a través de la protección y en el cabezal de engranajes.
3. Apriete firmemente los tornillos de 40 a 50 pulg·lb.

Para instalar la cuchilla

Vea la figura 13.

Para instalar la cuchilla siga estos pasos.

1. Coloque la arandela de brida en el eje de los engranajes con el lado hueco hacia la protección de la desbrozadora.
2. Centre la cuchilla en la rondana de brida, asegurándose de que la cuchilla quede bien sentada y el cubo resaltado pase por el orificio de la misma.
3. Instale la arandela cóncava con el centro resaltado orientado en la dirección opuesta a donde se encuentra la cuchilla.
4. Coloque la tuerca de la cuchilla en el eje de engranajes.
5. Introduzca la herramienta de fijación del cabezal a través de la rondana de brida y del cabezal de engranajes.
6. Instale la tuerca de la cuchilla; para ello, gírela hacia la izquierda (tiene rosca izquierda).
7. Apriete la tuerca de la cuchilla a 120 pulg.-lb. por lo menos (apretada con los dedos más 1/2 vuelta).

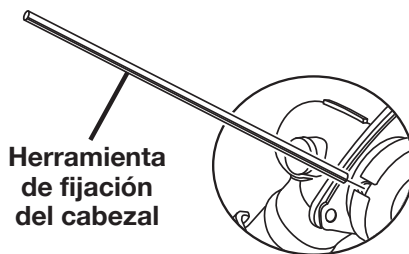


Figura 10

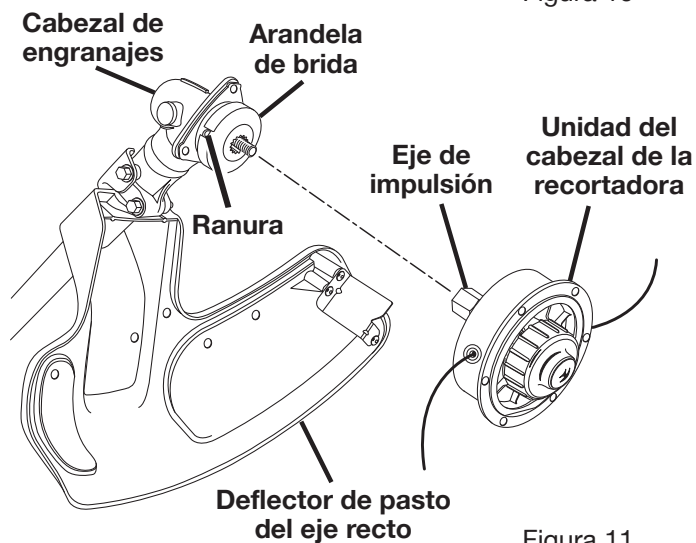


Figura 11

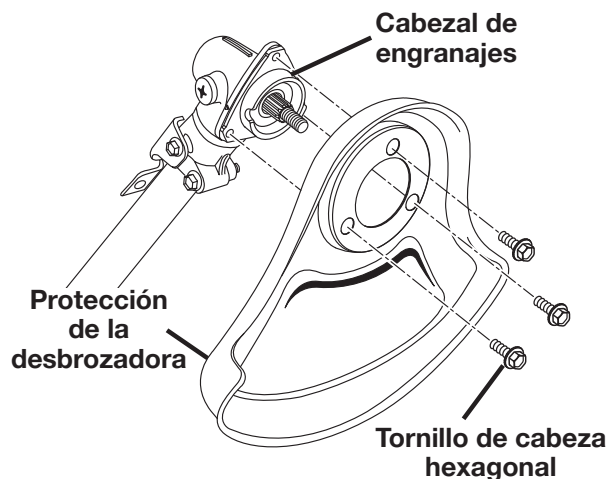


Figura 12

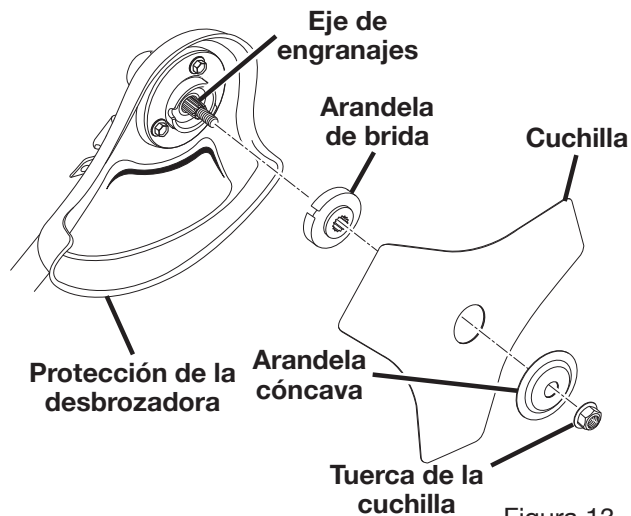


Figura 13

Funcionamiento



ADVERTENCIA:

No permita que su familiarización con las herramientas lo vuelva descuidado. Tenga presente que un descuido de un instante es suficiente para causar una lesión grave.



ADVERTENCIA:

Cuando utilice herramientas eléctricas, póngase siempre gafas de seguridad o anteojos protectores con protección lateral. La inobservancia de esta advertencia puede causar el lanzamiento de objetos a los ojos, y por consecuencia posibles lesiones serias.



ADVERTENCIA:

No utilice ningún aditamento o accesorio no recomendado por el fabricante de esta herramienta. El empleo de aditamentos o accesorios no recomendados podría causar lesiones serias.

Usos

Utilice este producto para los siguientes usos:

- Corte de pasto, hierba y maleza baja delgada (todos los Modelos)
- Recorte de bordes de pasto a lo largo de aceras y de caminos de entrada (todos los Modelos)
- Corte de hierbas pulposas, enredaderas y maleza delgada (Modelo 51990A)

Mezcla del combustible



PELIGRO:

La gasolina es extremadamente inflamable y explosiva. Un incendio o una explosión de gasolina le causará quemaduras a usted y a otras personas.

Este producto está accionado por un motor de dos tiempos y requiere el premezclado de gasolina y aceite para motor de dos tiempos. La mezcla de aceite ser de 50:1, con aceite que satisfaga o sobrepase las especificaciones JASO-FC.

Para mezclar el combustible siga estos pasos.

1. Obtenga un recipiente limpio aprobado para gasolina.
2. Mezcle en el recipiente el aceite para motor de dos tiempos suministrado con gasolina sin plomo, según las instrucciones señaladas en la caja del aceite.

Importante: Este motor está certificado para funcionar con gasolina sin plomo destinada para vehículos con un octanaje de 87 ($[R + M] / 2$) o más. No use aceite de uso automotor ni aceite para motores fuera de borda de 2 tiempos. Guarde el recipiente fuera del alcance de los niños.

Tabla de mezcla de gasolina en una proporción de 50:1

Gasolina	Aceite
1/2 galón EU	1.3 onz.
1 galón EU	2.6 onz.
2 galones EU	5.2 onz.
1 litro	20 ml
2 litros	40 ml
3 litros	60 ml
4 litros	80 ml
5 litros	100 ml



Llenado del tanque



ADVERTENCIA:

Siempre apague el motor antes de llenar el tanque. Nunca agregue combustible a una máquina con el motor en marcha o caliente. Aléjese por lo menos 30 pies (9 metros) del lugar y del lugar de reabastecimiento de combustible antes de arrancar el motor. No fume mientras esté reabasteciendo el tanque.

Para llenar el tanque siga estos pasos.

1. Limpie la superficie situada alrededor de la tapa del combustible para evitar la contaminación del mismo.
2. Afloje la tapa del tanque de combustible girándola hacia la izquierda.
3. Vierta la mezcla de combustible en el tanque.
4. Limpie e inspeccione la junta de la tapa.
Nota: Vuelva a colocar la tapa del tanque de la gasolina si está dañada la junta.
5. Coloque la tapa del tanque de la gasolina y apriétela firmemente girándola hacia la derecha.



ADVERTENCIA:

Revise la herramienta para ver si tiene fugas de combustible. Si encuentra fugas, corrija el problema antes de utilizar la herramienta.

6. Limpie todo el combustible que se haya derramado del producto.
7. Aléjese por lo menos 30 pies (9 metros) antes de encender la herramienta.
Nota: Es normal la emisión de humo en los motores nuevos durante el uso.

⚠ ADVERTENCIA:

La herramienta puede lanzar objetos durante su funcionamiento, causando así lesiones al operador o a personas presentes. Al manejar este producto siempre póngase protección ocular apropiada, pantalones largos y gruesos y botas.

Arranque y apagado de la herramienta

Vea las figuras 14a, 14b, 14c y 15.

Para arrancar el motor cuando está frío o se le ha terminado el combustible:

1. Reabastezca el tanque de combustible, si es necesario. Siempre use la mezcla correcta de aceite y gasolina. Vea el apartado “Cómo mezclar el combustible”, en la página 17.
2. Ponga el interruptor del motor en la posición **RUN [FUNC.] (I)**.
Nota: No accione la palanca del acelerador durante el proceso de arranque.
3. Presione lentamente siete veces la bomba de cebado.
Nota: Si va a arrancar el motor caliente, no presione la bomba de cebado.
4. Coloque la palanca del anegador en la posición **START [ARRANQUE]**.
Nota: Si va a arrancar el motor caliente, deje el anegador en la posición **RUN [FUNC.]**.
5. Tire de la cuerda del arrancador hasta que empiece a funcionar el motor.
6. Deje que se retraiga suavemente la cuerda del arrancador en el alojamiento del arrancador. No permita que la cuerda se retraiga violentamente.
7. Permita que funcione el motor durante 15 segundos para calentarlo antes de usar la unidad.
8. Para empezar a utilizar la unidad, accione la palanca del acelerador.

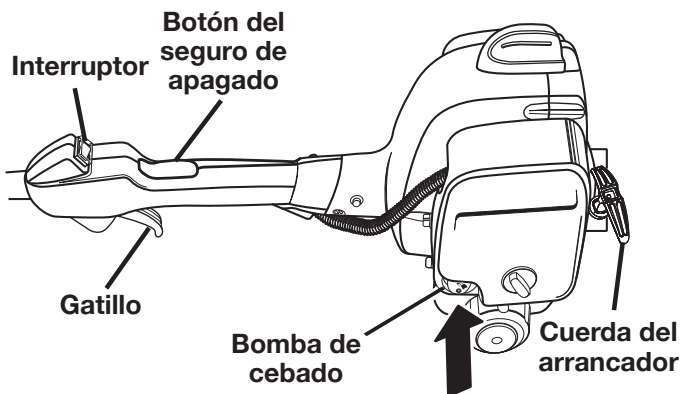


Figura 14a

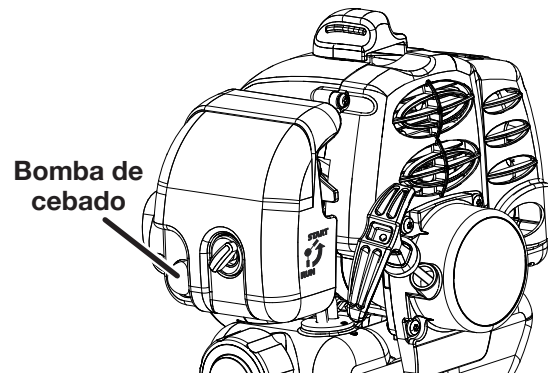


Figura 14b

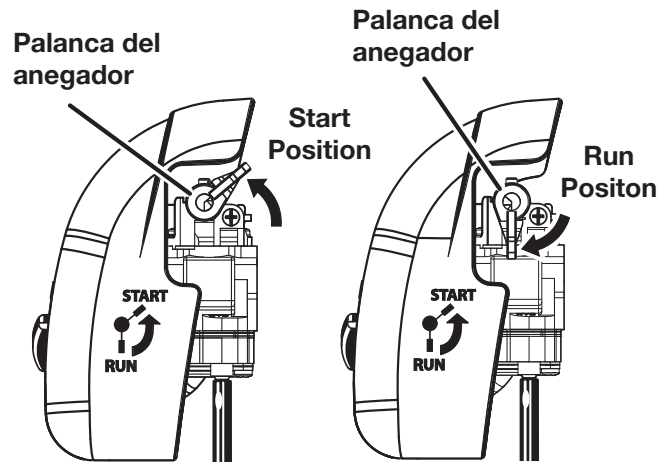


Figura 14c

Apagado de la herramienta

Vea la figura 15.

1. Suelte la palanca del acelerador.
2. Ponga el interruptor del motor en la posición **OFF [APAGADO] (O)**.

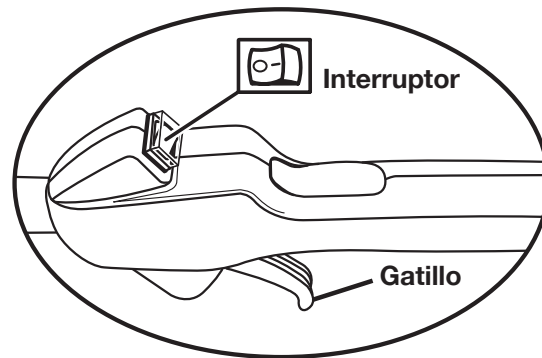


Figura 15

Utilización de la recortadora

La utilización de la recortadora es diferente, según esté usándose la de eje curvo o la de eje recto.

⚠ ADVERTENCIA:

Siempre sujete la recortadora de hilo lejos del cuerpo, manteniendo un espacio entre el cuerpo y la herramienta. Cualquier contacto del cuerpo con la armazón o el cabezal de corte de la recortadora de hilo puede producir quemaduras y/o otras lesiones serias.

Para utilizar la recortadora de eje curvo (Modelo 51950A)

Vea la figura 16a.

Para utilizar la recortadora de eje curvo estos pasos.

1. Arranque la recortadora.
2. Sujete la recortadora al nivel de la cintura con la mano derecha en el mango de gatillo y la izquierda en el delantero.
3. Coloque la herramienta al lado derecho del cuerpo con el motor atrás y alejada del cuerpo.
4. Recorte el pasto y las hierbas con un movimiento de derecha a izquierda, con el hilo paralelo al suelo.



Figura 16a

Para utilizar la recortadora de eje recto (Modelo 51970A)

Vea la figura 16b.

Para utilizar la recortadora de eje recto siga estos pasos.

1. Arranque la recortadora.
2. Sujete la recortadora al nivel de la cintura con la mano derecha en el mango de gatillo y la izquierda en el delantero.
3. Coloque la herramienta al lado derecho del cuerpo con el motor atrás y alejada del cuerpo.
4. Recorte el pasto y las hierbas con un movimiento de izquierda a derecha, con el hilo paralelo al suelo.

POSICIÓN CORRECTA PARA EL MANEJO DE LA HERRAMIENTA



Figura 16b

Para avanzar el hilo de corte

Vea la figura 16c.

Para avanzar el hilo de corte siga estos pasos.

1. Arranque la recortadora.
2. Golpee ligeramente la tapa de retención en el suelo mientras está funcionando el motor. El hilo avanza solamente con el motor a la máxima aceleración. **No mantenga la capa de retención contra el suelo.**

Nota: La cuchilla de cortar el hilo del deflector de pasto corta el hilo a la longitud adecuada.

Nota: Para evitar que se enrede el hilo de corte, dé un solo golpe para alargarlo. Si se requiere hilo adicional, espere unos segundos antes de volver a golpear la tapa de retención. No permita que se acorte demasiado el hilo. Mantenga el hilo de corte a su máxima longitud.

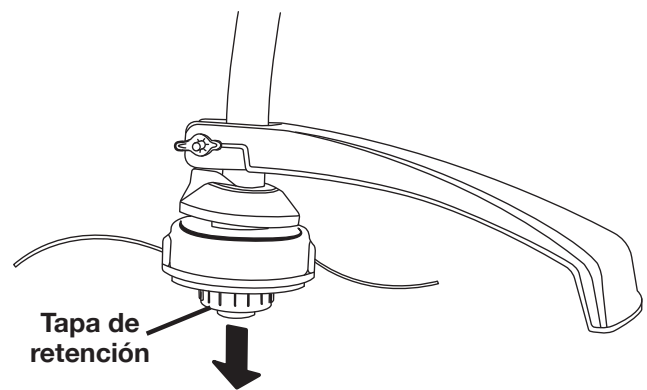


Figura 16c

Utilización de la desbrozadora (Modelo 51990A)

Veá la figura 17.

Para utilizar la desbrozadora siga estos pasos.

1. Arranque la desbrozadora.
2. Sujete la desbrozadora al nivel de la cintura con la mano derecha (con el brazo extendido) en el mango de gatillo y la izquierda en el delantero.
3. Coloque la herramienta al lado derecho del cuerpo con el motor atrás y alejada del cuerpo.
4. Recorte las hierbas malas y las enredaderas con un movimiento de derecha a izquierda, con la cuchilla paralela al suelo.



Figura 17

Sugerencias para el corte

Veá las figuras 18 y 19.

1. Evite tocar las superficies calientes de la herramienta; para ello, manténgala lejos del cuerpo. (La posición correcta de manejo de la herramienta se muestra en la figura 16a, 16b y 17.)
2. Mantenga la recortadora inclinada hacia el área de corte; ésta es el área óptima de corte.
3. La recortadora de eje curvo corta al pasarla de derecha a izquierda. La cortadora de eje recto corta a pasarla de izquierda a derecha. De esta manera se evita el lanzamiento de desechos hacia el operador. Evite cortar en el área peligrosa mostrada en las figuras 18 y 19.
4. Use la punta del hilo para efectuar el recorte; no fuerce el cabezal del hilo hacia la hierba sin cortar.
5. Las cercas de alambre y de estacas causan desgaste adicional en el hilo, incluso la ruptura del mismo. Los muros de piedra y de ladrillo, los cordones y la madera pueden gastar rápidamente el hilo.
6. Evite tocar árboles y arbustos. La corteza de los árboles, las molduras de madera, los revestimientos de las paredes y los postes de las cercas pueden resultar dañados fácilmente por el hilo.

Recortadora de hilo de eje curvo

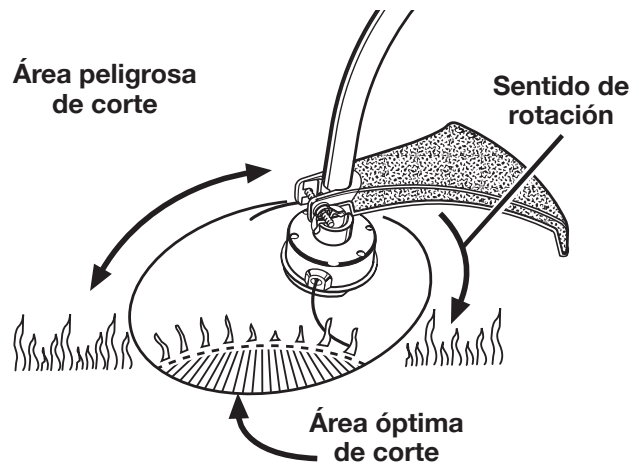


Figura 18

Accesorio para recortar de eje recto

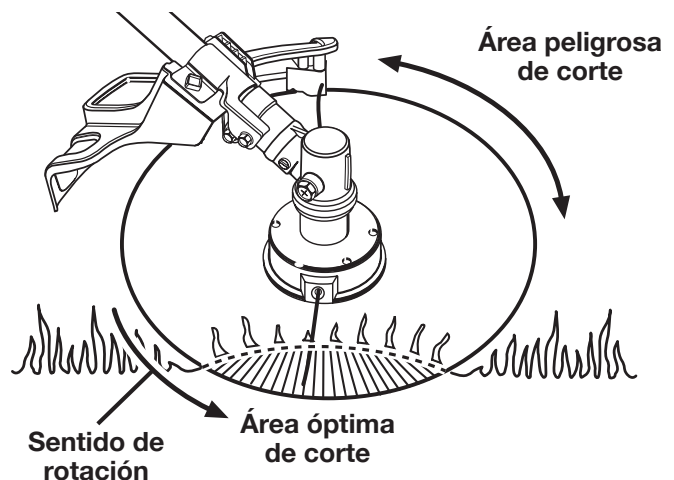


Figura 19

Mantenimiento

Programa de mantenimiento para control de emisiones

El mantenimiento, reemplazo o reparación de los dispositivos y sistemas de control de emisiones pueden ser efectuados por cualquier establecimiento o técnico de reparación de motores no vehiculares.

Pieza relacionada con emisiones	Inspeccionar cada vez antes usar la herramienta	Limpiar cada 5 horas de uso	Cambiar cada 25 horas de uso o cada año	Limpiar cada 25 horas de uso o cada año
Unidad del tanque de combustible (incluye los conductos de combustible, la tapa del tanque y el filtro de combustible)	X			
Filtro de aire		X	X	
Parachispas				X
Bujía			X	



ADVERTENCIA:

Al dar servicio a este producto, sólo utilice piezas de repuesto Toro. El empleo de piezas diferentes puede presentar un peligro o causar daños al producto.

Limpeza de la herramienta

- Apague la herramienta antes limpiarla.
- Limpie la parte exterior de la herramienta con un paño húmedo.
- Evite el empleo de solventes al limpiar piezas de plástico. La mayoría de los plásticos son susceptibles a diferentes tipos de solventes comerciales y pueden resultar dañados.
- Limpie o raspe el área del cabezal de la recortadora y del carrete cuando se acumule tierra o pasto en el mismo.
- Raspe los desechos de las aberturas de admisión de aire de ambos lados del alojamiento del motor.

PRECAUCIÓN:

Manteniendo las aberturas de admisión de aire limpias de pasto y de desechos se evita el recalentamiento del motor, y la posible falla del mismo.

Nota: Dependiendo del tipo de combustible utilizado, el tipo y la cantidad de aceite utilizado, o las condiciones de funcionamiento particulares, el orificio de escape y el silenciador pueden resultar obstruidos con depósitos de carbón. Si observa alguna pérdida de potencia en su herramienta con motor de gasolina, quizá sea necesario eliminar dichos depósitos para restaurar el rendimiento. Recomendamos enfáticamente que este servicio lo realicen únicamente los técnicos de servicio calificados.

Servicio de la herramienta

- Revise todos los tornillos y apriételos. Si alguna pieza se daña o se pierde, repárela o reemplácela, según sea el caso.

Reabastecimiento del hilo de corte

Vea las figuras 20 y 21.



ADVERTENCIA:

El empleo de cualquier hilo diferente al hilo de corte monofilar adecuado podría causar lesiones corporales.

Para reabastecer el hilo de corte siga estos pasos.

1. Apague la recortadora.
2. Retire la funda de la bujía. *Vea la figura 24.*
3. Retire la tapa de retención.
4. Retire el carrete vacío.
5. Limpie a fondo el cabezal de la recortadora. Inspeccione el cabezal de la recortadora para ver si tiene piezas dañadas o desgastadas.
6. Sostenga el carrete con el resorte hacia arriba.
7. Introduzca el extremo del hilo nuevo en el orificio del área roscada superior del carrete.
8. Enrolle el hilo en el carrete, hasta alcanzar el borde de éste, como indican las flechas situadas en la parte superior del mismo. **No enrolle el hilo más allá del borde del anillo interior.**
9. Asegure temporalmente el hilo; para ello, empújelo hacia adentro de una de las orejetas ranuradas del carrete.
10. Mida seis pulgadas de hilo a partir de la orejeta ranurada y córtelo en ese punto.

11. Repita el proceso con el área roscada inferior del carrete, enrollando el hilo hacia la derecha y asegurándolo en la orejeta ranurada opuesta al hilo que aseguró primero.
12. Introduzca los hilos en los ojillos del cabezal de la recortadora.
13. Coloque el carrete en el eje de impulsión.
Nota: Para instalar el carrete es posible que necesite girarlo levemente. Si el hilo se enreda o se rompe en el ojillo, retire el carrete, vuelva a pasar el hilo por los ojillos, y vuelva a montar el carrete en la recortadora.
14. Libere los hilos de las orejetas; para ello, tire enérgicamente de cada uno.
15. Empuje hacia abajo el carrete para mostrar la rosca dentro del eje de impulsión.
16. Enrosque la tapa de retención en el eje de impulsión.
17. Asegure la tapa de retención.

⚠ ADVERTENCIA:

Si la tapa de retención o el carrete quedan mal instalados, podrían salir lanzados de la recortadora. Si la tapa de retención o el carrete llegan a pegar en el cuerpo al salir lanzados, pueden causar lesiones corporales.

18. Coloque la funda de la bujía. *Vea la figura 24.*

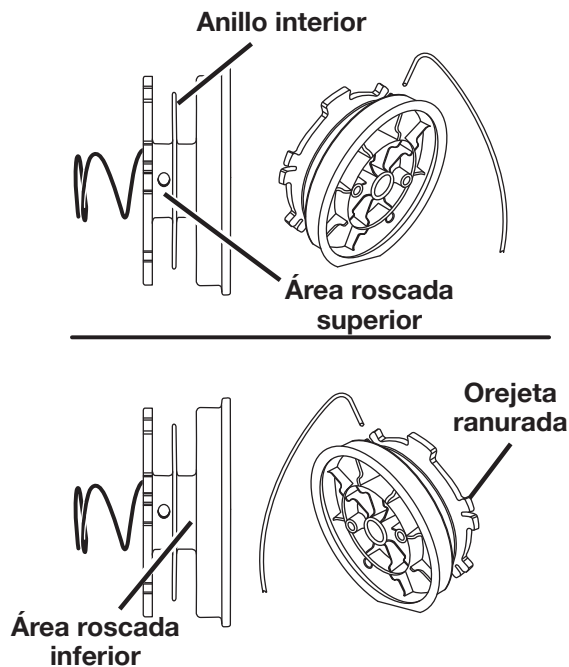


Figura 20

Cambio del carrete

Vea la figura 21.

Nota: Para lograr óptimos resultados, sólo use carretes Toro (Pieza núm. AR04118). El carrete puede desgastarse durante el uso normal de la característica de avance del hilo, y es posible que sea necesario reemplazarlo ocasionalmente. Hay carretes de repuesto en cualquier establecimiento de venta de productos Toro de la localidad.

Para cambiar el carrete siga estos pasos.

1. Apague la recortadora.

⚠ ADVERTENCIA:

Asegúrese de que el cabezal de la recortadora deje de girar cuando usted suelta el gatillo. Tocar el cabezal de la recortadora mientras está girando puede causar lesiones.

2. Retire la funda de la bujía. *Vea la figura 24.*
3. Retire la tapa de retención; para ello gírela como indica la flecha de la misma.
4. Retire el carrete vacío.
5. Limpie a fondo el cabezal de la recortadora. Inspeccione el cabezal de la recortadora para ver si tiene piezas dañadas o desgastadas.
6. Retire los hilos de las orejetas ranuradas del carrete y desenróllelos aproximadamente 6 pulg. (15.2 cm).
7. Asegure temporalmente los hilos; para ello, empújelos hacia adentro de las orejetas ranuradas del carrete.
8. Introduzca los hilos del nuevo carrete en los ojillos del cabezal de la recortadora.
9. Coloque el carrete en el eje de impulsión.
Nota: Para instalar el carrete es posible que necesite girarlo levemente.
Nota: Si el hilo se enreda o se rompe en los ojillos, retire el carrete, vuelva a pasar el hilo por los ojillos, y vuelva a montar el carrete en la recortadora.
10. Libere los hilos de las orejetas; para ello, tire enérgicamente de cada uno.
11. Empuje hacia abajo el carrete para mostrar el eje de impulsión.
12. Enrosque la tapa de retención en el eje de impulsión.
13. Asegure la tapa de retención.
14. Coloque la funda de la bujía. *Vea la figura 24.*

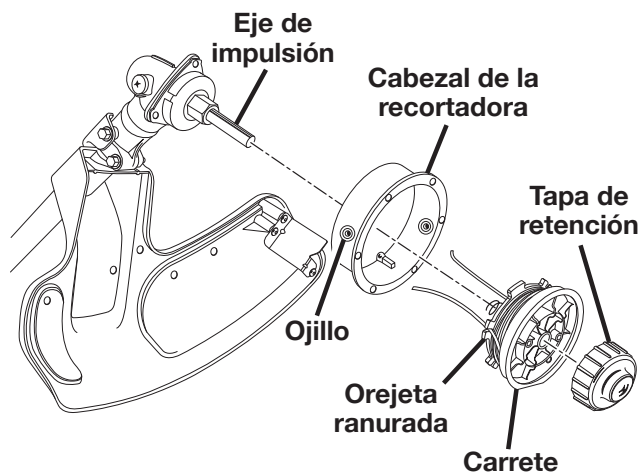


Figura 21

Revisión de la tapa del tanque de combustible

⚠ ADVERTENCIA:

Una tapa del tanque de combustible con fugas constituye un riesgo de incendio y debe reemplazarse inmediatamente.

La tapa del tanque de combustible contiene un filtro y una válvula de retención a los que no puede darse servicio. Si se obstruye el filtro de combustible causa un desempeño deficiente del motor. Si mejora el desempeño del motor aflojando la tapa del tanque de combustible, es posible que esté defectuosa la tapa, o que esté obstruido el filtro. Cambie la tapa si es necesario.

Limpeza del filtro de aire

Veá las figura 22.

Cambie el filtro de aire según señala el calendario de mantenimiento. Para limpiar el filtro de aire realice los siguientes pasos.

1. Apague la recortadora.

⚠ ADVERTENCIA:

Asegúrese de que el cabezal de la recortadora deje de girar cuando usted suelta el gatillo. Tocar el cabezal de la recortadora mientras está girando puede causar lesiones.

2. Retire la funda de la bujía.
3. Afloje la tapa del filtro de aire girando la perilla hacia la izquierda.
4. Retire la tapa del filtro de aire.
5. Retire el filtro de aire.
6. Limpie el filtro de aire con agua jabonosa tibia.
7. Enjuague el filtro de aire y déjelo secar completamente.
8. Introduzca dos gotas de aceite en el filtro de aire.
9. Vuelva a colocar el filtro de aire (entra sólo de una forma).
10. Coloque la tapa del filtro de aire.
11. Apriete la tapa del filtro de aire girando la perilla hacia la derecha.
12. Coloque la funda de la bujía.

Nota: Cambie el filtro de aire (Pieza Núm. 88048) según señala el calendario de mantenimiento.

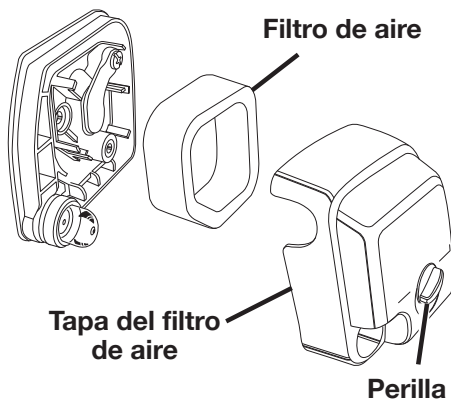


Figura 22

Reemplazo del parachispas

Veá la figura 23.

Es posible que sea necesario reemplazar el parachispas después de un uso repetido de la unidad. Si es necesario reemplazarlo, utilice la pieza Toro núm. 986179001.

Para reemplazar el parachispas:

1. Retire los cinco tornillos encargados de fijar la cubierta.

Nota: Para retirar estos tornillos se requiere un destornillador Torx T20 y uno T25.

2. Retire la cubierta.
3. Retire el conjunto del silenciador y la junta de este último. Puede ser necesario un poco de trabajo para zafar de la junta el conjunto del silenciador.
4. Retire los tres tornillos encargados de fijar las placas en el silenciador.
5. Retire el parachispas.
6. Reemplace el parachispas viejo con el nuevo.
7. Vuelva a armar el silenciador; para ello, coloque de nuevo las placas y apriete los tres tornillos.
8. Vuelva a ensamblar el silenciador y la cubierta, y únalos a la junta con los dos tornillos.
9. Monte de nuevo el conjunto del silenciador.
10. Vuelva a instalar la cubierta en la herramienta y apriétela con los cinco tornillos.

Nota: No apriete excesivamente los tornillos.

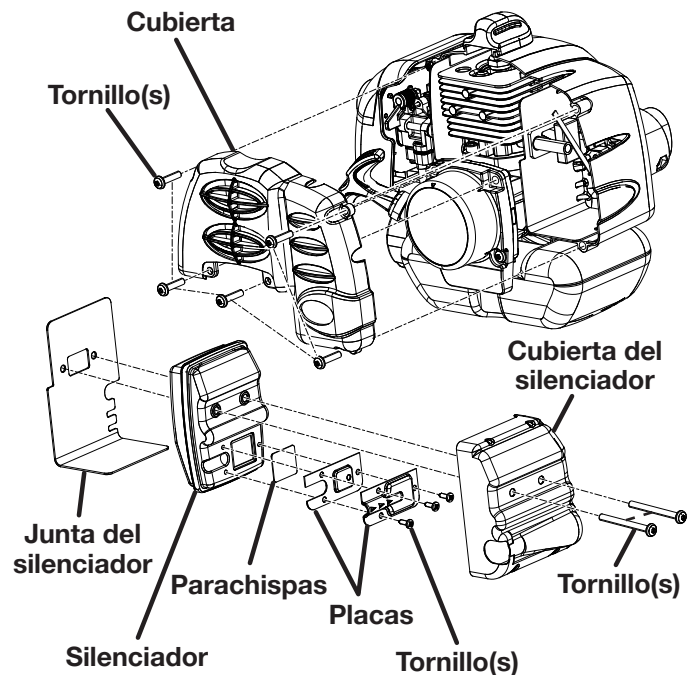


Figura 23

Cambio de la bujía

Vea la figura 24.

En todos los Modelo incluidos en este manual se usa una bujía NGK BPMR7A o una Champion RCJ-6Y. Utilice un repuesto idéntico y cámbiela anualmente.

Para cambiar la bujía siga estos pasos.

1. Retire la funda de la bujía.
2. Afloje la bujía; para ello, gírela hacia la izquierda con una llave de cubo.
3. Retire la bujía.
4. Enrosque la nueva bujía con la mano, girándola hacia la derecha.
5. Apriétela con una llave de cubo a 170 pulg·lb (196 cm·kg) por lo menos, y a 190 pulg·lb (219 cm·kg) como máximo. **No efectúe un apriete excesivo.**



PRECAUCIÓN:

Tenga cuidado de no estropear la rosca de la bujía. Si se estropea la rosca de la bujía, resultará seriamente dañado el producto.

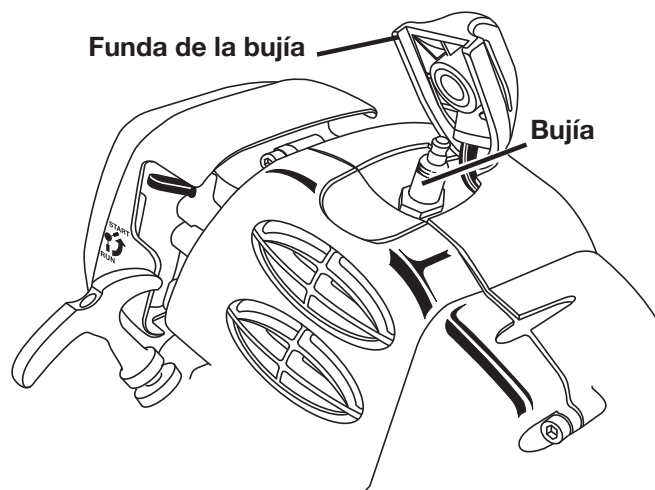


Figura 24

Almacenamiento del producto

La forma de almacenar el producto difiere según sea el período de tiempo que permanecerá guardada.

Nota: Si el producto incluye otro aditamento, coloque la tapa de almacenamiento en el extremo del eje del aditamento y cuélguelo para guardarlo.

Para guardar el producto a corto plazo

Para guardar el producto a corto plazo realice los siguientes pasos.

1. Limpie toda materia extraña presente en el producto.
2. Guarde el producto en un lugar bien ventilado inaccesible a los niños.

Para guardar el producto a largo plazo

Si no intenta utilizar el producto durante más de un mes, siga el procedimiento de almacenamiento señalado abajo.

Para guardar el producto a largo plazo realice los siguientes pasos.

1. Drene todo el combustible en un recipiente aprobado para gasolina.
2. Ponga a funcionar el motor hasta que se apague por sí mismo.
3. Limpie toda materia extraña presente en el producto.
4. Guarde el producto en un lugar bien ventilado inaccesible a los niños.

Nota: Mantenga el producto lejos de sustancias corrosivas como los productos químicos para el jardín y las sales descongeladoras.

Importante: Cumpla todos los reglamentos federales y locales relacionados con la seguridad del almacenamiento y el manejo de gasolina.

Transporte del producto

Para transportar el producto siga estos pasos.

1. Drene la mezcla de combustible en un recipiente limpio aprobado para gasolina.
2. Porte el producto por el mango delantero.
3. Asegure el producto en el vehículo o remolque.

Corrección de problemas

Problema	Causa posible	Solución
El motor no arranca	<ol style="list-style-type: none"> 1. Coloque el interruptor en la posición "O" (APAGADO). 2. No produce chispa la bujía 3. No hay combustible 4. Está ahogado el motor 5. Se requiere más esfuerzo ahora para tirar de la cuerda del arrancador que cuando estaba nuevo el producto 	<ol style="list-style-type: none"> 1. Coloque el interruptor en la posición "I" (ENCENDIDO). 2. Retire la bujía. Vuelva a colocar la tapa de la bujía y deposite ésta sobre el cilindro metálico. Tire de la cuerda del arrancador y observe el extremo de la bujía para ver si hay chispa. Si no hay chispa, repita la prueba con una bujía nueva. 3. Oprima la bomba de cebado hasta que se llene de combustible. Si no se llena la bomba, significa que está obstruido el sistema principal de conducción de combustible. Si se llena la bomba de cebado, es posible que esté ahogado el motor. (Vea el siguiente punto.) 4. Retire la bujía. Invierta la posición de la unidad de manera que el orificio de la bujía quede orientado hacia abajo. Asegúrese de que la palanca arranque esté en la posición RUN [FUNC.] y tire de la cuerda del arrancador de 10 a 14 veces. De esta manera se despeja del motor el exceso de combustible. Limpie la bujía y vuelva a instalarla. Teniendo el gatillo oprimido completamente, tire de la cuerda 3 veces. Si no arranca el motor, ponga la palanca de arranque en la posición START [ARRANQUE] y siga el procedimiento normal de arranque. Si aún así no arranca el motor, repita el procedimiento con una bujía nueva. 5. Comuníquese con un establecimiento de servicio autorizado.
El motor no alcanza la máxima velocidad y despidе demasiado humo	<ol style="list-style-type: none"> 1. Revise la mezcla de combustible y aceite 2. Está sucio el filtro de aire 3. Está sucia la pantalla parachispas 	<ol style="list-style-type: none"> 1. Use combustible fresco y la mezcla correcta de aceite para motor de 2 tiempos. 2. Limpie el filtro de aire. 3. Limpie el parachispas.
El hilo no avanza cuando se utiliza la función de alargamiento automático del hilo	<ol style="list-style-type: none"> 1. El hilo se pegó a sí mismo 2. No hay suficiente hilo en el carrete 3. El hilo está demasiado corto 4. El hilo se enredó en el carrete 5. Está demasiado lenta la velocidad 	<ol style="list-style-type: none"> 1. Lubrique con rociador de silicón. 2. Póngale más hilo. 3. Tire del hilo mientras oprime y suelta de manera alternada la tapa de retención. 4. Retire el hilo del carrete y rebobínelo. 5. Avance el hilo a toda aceleración.
Se dificulta girar la tapa de retención cuando se utiliza la función de alargamiento automático del hilo	La rosca del tornillo está sucia o dañada	Limpie la cuerda del tornillo y lubríquelas con grasa. Si con esto no se resuelve el problema, cambie la tapa de retención.
El pasto se enrolla alrededor de la unidad del cabezal de corte de la recortadora y del eje del accesorio	<ol style="list-style-type: none"> 1. Está cortándose pasto muy alto al nivel del suelo 2. Está accionándose la herramienta a una aceleración parcial 	<ol style="list-style-type: none"> 1. Corte la hierba alta desde la parte superior hacia abajo. 2. Accione la herramienta a la máxima aceleración.
Hay goteo de aceite del silenciador	<ol style="list-style-type: none"> 1. Está accionándose la herramienta a una aceleración parcial 2. Revise la mezcla de combustible y aceite 3. Está sucio el filtro de aire 	<ol style="list-style-type: none"> 1. Accione la herramienta a la máxima aceleración. 2. Use combustible fresco y la mezcla correcta de aceite para motor de 2 tiempos. 3. Limpie el filtro de aire.

Garantía

OWT Industries, Inc.

Productos de Recortadora de Gasolina

Garantía Limitada

OWT INDUSTRIES, INC. garantiza al comprador original al menudeo que este producto de recortadora de gasolina carece de defectos en los materiales y en la mano de obra, y acuerda reparar o reemplazar, a la sola discreción de la compañía, cualquier producto defectuoso, sin cargo alguno al comprador, dentro de los siguientes periodos de tiempo a partir de la fecha de compra.

- Dos años para todos los productos de recortadora de gasolina, si se emplean para uso personal, familiar y casero;
- 90 días para los productos de recortadora de gasolina empleados para cualquier otro uso, como el uso comercial o el de alquiler.
- Dos años para los sistemas de control de emisiones de los productos de recortadora de gasolina empleados para cualquier propósito, según se estipula abajo.

Con las excepciones estipuladas en la Declaración de la Garantía del Sistema para Control de Emisiones, esta garantía únicamente se ofrece al comprador original al menudeo y comienza en la fecha de la compra original al menudeo.

Instrucciones para obtener el servicio al amparo de la garantía

Cualquier parte del producto manufacturado o suministrado por OWT Industries, Inc. que, a juicio razonable de la compañía, tenga defectos en los materiales o en la mano de obra, será reparado o reemplazado por un establecimiento de servicio autorizado de este producto, sin cargo alguno al comprador por concepto de piezas y mano de obra. Para encontrar el establecimiento de servicio autorizado más cercano a usted, le solicitamos llamarnos a la línea gratuita al 1-866-574-9242 (en EE.UU.) o al 1-866-574-9243 (en Canadá).

El producto, incluida toda pieza defectuosa, debe enviarse a un establecimiento de servicio autorizado de este producto dentro del período de la garantía. El gasto de enviar el producto de recortadora de gasolina al establecimiento de servicio para cualquier trabajo cubierto por la garantía, así como el gasto de devolverlo al propietario después de la reparación, correrán por cuenta del propietario. La responsabilidad de OWT Industries, Inc. con respecto a todo reclamo se limita a las reparaciones o reemplazo del producto, y ningún reclamo de incumplimiento de la garantía será causante de la cancelación o rescisión del contrato de venta de ningún producto. En el establecimiento se requerirá el recibo de compra para respaldar cualquier reclamo al amparo de la garantía. Todo trabajo realizado al amparo de la garantía debe ser efectuado en un establecimiento de servicio autorizado por OWT Industries, Inc. para dar servicio a este producto.

Esta garantía no cubre ningún producto de recortadora de gasolina que haya sido sujeto a un uso indebido, maltrato, negligencia o accidente, o que haya sido utilizado de cualquier forma contraria a las instrucciones de manejo especificadas en el manual del operador. Esta garantía no cubre ningún daño sufrido por el producto de recortadora de gasolina causado por un mantenimiento inadecuado, alteración o modificación que haya afectado desfavorablemente el funcionamiento, el desempeño o la durabilidad del producto, o haya cambiado el uso para el que fue diseñado. La garantía no cubre ninguna reparación necesaria por el uso normal ni por el uso de piezas o accesorios que sean incompatibles con el producto de recortadora de gasolina, o afecten de forma desfavorable su funcionamiento, desempeño o durabilidad.

Además, esta garantía no cubre lo siguiente (excepto en la medida en que lo cubra la garantía de equipo de control de emisiones señalada abajo):

- A. Afinación – Bujías, ajustes del carburador, filtros
- B. Artículos sujetos a desgaste – Perillas de tope, carretes exteriores, hilos de corte, carretes interiores, polea del arrancador, cuerdas del arrancador, correas de transmisión, aspas, arandelas de fieltro y pasadores de enganche, hoja de triturar, ventilador de la sopladora, tubos de la sopladora y de la aspiradora, saco y correas de la aspiradora, barra guía y cadena de la sierra.

OWT Industries, Inc. se reserva el derecho a cambiar o mejorar el diseño de cualquier producto de recortadora de gasolina sin asumir ninguna obligación de modificar ningún producto fabricado previamente.

TODAS LAS GARANTÍAS IMPLÍCITAS ESTÁN LIMITADAS EN DURACIÓN SEGÚN EL PERÍODO DE GARANTÍA DECLARADA. COMO CORRESPONDE, TODA GARANTÍA IMPLÍCITA, INCLUIDAS LAS DE COMERCIABILIDAD, IDONEIDAD PARA UN PROPÓSITO EN PARTICULAR, O DE CUALQUIER OTRO TIPO, SE DESCONOCE POR COMPLETO DESPUÉS DEL PERÍODO DE GARANTÍA CORRESPONDIENTE DE DOS AÑOS O NOVENTA DÍAS, SEGÚN CORRESPONDA. DE CONFORMIDAD CON ESTA GARANTÍA, LA OBLIGACIÓN DE OWT INDUSTRIES, INC. SE LIMITA ESTRUCTURAL Y EXCLUSIVAMENTE A LA REPARACIÓN O REMPLAZO DE LAS PIEZAS DEFECTUOSAS, Y OWT INDUSTRIES, INC. NO ASUME NINGUNA OTRA OBLIGACIÓN, NI AUTORIZA A NADIE ASUMIRLA A NOMBRE DE DICHA COMPAÑÍA. ALGUNOS ESTADOS NO PERMITEN LIMITACIONES EN CUANTO A LA DURACIÓN DE UNA GARANTÍA IMPLÍCITA, POR LO CUAL ES POSIBLE QUE LA LIMITACIÓN ANTERIOR NO SE APLIQUE EN EL CASO DE USTED.

OWT INDUSTRIES, INC. NO ASUME NINGUNA RESPONSABILIDAD POR DAÑOS DIRECTOS, INDIRECTOS O DE NINGÚN OTRO TIPO, COMO EL GASTO DE ENVIAR EL PRODUCTO DE RECORTADORA DE GASOLINA A UN ESTABLECIMIENTO DE SERVICIO AUTORIZADO DE RECORTADORAS DE GASOLINA Y EL GASTO DE ENVIARLO DE ALLÍ AL PROPIETARIO, EL TIEMPO DE VIAJE DEL MECÁNICO, CARGOS TELEFÓNICOS O TELEGRÁFICOS, ALQUILER DE UN PRODUCTO SUSTITUTO DURANTE EL TIEMPO DE REALIZACIÓN DEL SERVICIO DE LA GARANTÍA, VIAJES, PÉRDIDA O DAÑOS A OBJETOS DE PROPIEDAD PERSONAL, PÉRDIDA DE INGRESOS, PÉRDIDA DEL USO DEL PRODUCTO, PÉRDIDA DE TIEMPO O INCONVENIENTES. EN ALGUNOS ESTADOS NO SE PERMITE LA EXCLUSIÓN O LIMITACIÓN DE DAÑOS DIRECTOS O INDIRECTOS, POR LO CUAL ES POSIBLE QUE LA LIMITACIÓN O EXCLUSIÓN DESCRITA ARRIBA NO SE APLIQUE EN SU CASO.

Esta garantía le confiere derechos legales específicos, y es posible que usted goce de otros derechos, los cuales pueden variar de estado a estado.

Este producto ha sido fabricado por OWT Industries, Inc. con autorización de The Toro Company.

Garantía

DECLARACIÓN SOBRE LA GARANTÍA DEL SISTEMA DE CONTROL DE EMISIONES EN RELACIÓN CON LAS NORMAS FEDERALES Y DE CALIFORNIA DERECHOS Y OBLIGACIONES DEL CONSUMIDOR SEGÚN LA GARANTÍA

OWT Industries, Inc. garantiza específicamente el sistema de control de emisiones de este producto de recortadora de gasolina de conformidad con los requisitos legales Federales y de California descritos abajo:

OWT Industries, Inc. garantiza a los compradores originales al menudeo y compradores subsiguientes que el motor no vehicular incluido con este producto ha sido diseñado, fabricado y equipado, al momento de la venta, para cumplir con las regulaciones relevantes de la EPA, y que el motor carece de defectos en el material y en la mano de obra que pudieran causar el incumplimiento de las regulaciones relevantes por parte del mismo.

El siguiente enunciado de la CARB (Oficina de Recursos Atmosféricos de California) se aplica a todos los modelos

La Oficina de Recursos Atmosféricos de California (CARB) y OWT Industries, Inc. tienen el placer de explicar la Garantía del Sistema de Control de Emisiones de su motor no vehicular o motor pequeño para uso fuera de carreteras. En California, los motores nuevos pequeños y para el uso fuera de carreteras deben diseñarse, fabricarse y equiparse de manera que cumplan con las rigurosas normas estatales contra la contaminación del aire. OWT Industries, Inc. debe garantizar (y así lo hace) el sistema de control de emisiones de su motor no vehicular o motor pequeño para uso fuera de carreteras por el período de tiempo señalado arriba, siempre y cuando dicho motor no haya sido sujeto a uso indebido, maltrato, negligencia o mantenimiento inadecuado.

Es posible que el sistema de control de emisiones incluya piezas tales como el carburador o el sistema de inyección de combustible, el sistema de encendido y el convertidor catalítico. Además puede incluir las mangueras, las correas, los conectores y otras unidades relacionadas con el control de emisiones.

Donde exista una condición amparable en la garantía, OWT Industries, Inc. reparará su motor no vehicular o motor pequeño para uso fuera de carreteras sin ningún cargo a usted, incluyendo el diagnóstico (si el trabajo de diagnóstico se efectúa en un establecimiento de servicio autorizado), las piezas de repuesto y la mano de obra.

Cobertura de la garantía del fabricante

Los motores pequeños para uso fuera de carreteras fabricados en 1995 y en años posteriores están garantizados por dos años en California, a partir de la fecha original de compra. Si está defectuosa cualquier pieza del motor relacionada con las emisiones, OWT Industries, Inc. la reparará o la reemplazará, sin cargo al consumidor.

Responsabilidades del propietario en virtud de la garantía

Como propietario del motor no vehicular o motor pequeño para uso fuera de carretera, usted es responsable de la realización del mantenimiento necesario indicado en el manual del propietario. OWT Industries, Inc. le recomienda conservar todos los recibos de mantenimiento de su motor no vehicular o motor pequeño para uso fuera de carretera, no obstante, OWT Industries, Inc. no puede negar la cobertura de la garantía únicamente por la carencia de recibos o por no asegurarse el propietario de la realización de todo el mantenimiento programado.

Sin embargo, como propietario de un motor no vehicular o motor pequeño para uso fuera de carretera, usted debe saber que OWT Industries, Inc. puede negarle la cobertura de la garantía si dicho motor o una parte del mismo ha fallado debido a abuso, descuido, mantenimiento indebido o modificaciones no autorizadas.

Usted es responsable de presentar su motor no vehicular o motor pequeño para uso fuera de carretera a un centro de distribución o establecimiento de servicio autorizado de OWT Industries, Inc., tan pronto como surja el problema. Las reparaciones amparadas por la garantía deben realizarse en un plazo razonable menor de 30 días.

Si tiene preguntas en relación con sus derechos y obligaciones con respecto a la garantía, debe comunicarse con el departamento de atención al consumidor de OWT Industries, Inc., llamando al 1-866-574-9242 (en EE.UU.) o al 1-866-574-9243 (en Canadá).

Entre las piezas garantizadas relacionadas con el control de emisiones se encuentran las siguientes: El carburador, la bujía, el encendido, el filtro de aire y el filtro de combustible.

Mantenimiento requerido

El propietario es responsable de la realización del mantenimiento requerido según señala OWT Industries, Inc. en el manual del propietario.

Limitaciones

La garantía de los sistemas de control de emisiones no cubre lo siguiente:

- a) Reparación o reemplazo necesario debido a uso indebido o negligencia, falta de mantenimiento necesario, reparaciones efectuadas de manera incorrecta o cambios en incumplimiento de las especificaciones de OWT Industries, Inc. que afecten de forma desfavorable el desempeño o la durabilidad del producto, y alteraciones o modificaciones no recomendadas o aprobadas por escrito por OWT Industries, Inc., y
- b) Reemplazo de piezas y otros servicios y ajustes necesarios para el mantenimiento requerido en el primer cambio programado y después del mismo.

El período de cumplimiento con los reglamentos de control de emisiones señalado en la etiqueta de cumplimiento de dichos reglamentos indica el número de horas de funcionamiento para las cuales se ha demostrado que el motor cumple los requisitos de control de emisiones de los reglamentos federales. Categoría C=50 horas, B=125 horas y A=300 horas.

Garantía

ESTE PRODUCTO SE FABRICÓ CON UN SILENCIADOR CATALÍTICO

¡Felicidades! Acaba de realizar una inversión para proteger el medio ambiente. A fin de conservar el nivel de emisiones original de este producto, le suplicamos consultar el apartado sobre mantenimiento que aparece abajo.

PROGRAMA DE MANTENIMIENTO PARA EL CONTROL DE EMISIONES Y LISTA DE PIEZAS GARANTIZADAS					
Piezas para el control de emisiones	Inspeccionar cada vez antes de usar la unidad	Limpiar cada 5 horas de uso	Reemplazar cada 25 horas de uso o cada año	Limpiar cada 25 horas de uso o cada año	Reemplácelo cada 50 Horas
CONJUNTO DE SILENCIADOR CATALÍTICO					X
INCLUYE:					
FILTRO.....		X		X	
PANTALLA PARACHISPAS					X
CONJUNTO DEL CARBURADOR					
INCLUYE:					
REPRESA TÉRMICA					
JUNTAS					
CONJUNTO DEL TANQUE DE COMBUSTIBLE					
INCLUYE:					
CONDUCTOS DE COMBUSTIBLE.....					X
TAPA DEL TANQUE DE COMBUSTIBLE.....					X
FILTRO DE COMBUSTIBLE					
CONJUNTO DEL ENCENDIDO					
INCLUYE:					
BUJÍA.....					X

TODAS LAS PIEZAS RELACIONADAS CON LAS EMISIONES ESTÁN GARANTIZADAS POR DOS AÑOS O POR EL PERÍODO DE TIEMPO PREVIO AL MOMENTO DEL PRIMER CAMBIO PROGRAMADO DE LAS PIEZAS, LO QUE SUCEDA PRIMERO.



LLÁMENOS PRIMERO

Si tiene preguntas sobre el funcionamiento o el mantenimiento este producto, llame al teléfono de atención al consumidor de Toro®!

La recortadora ha sido probada enteramente antes de embarcarse para asegurar la satisfacción del consumidor.



Información sobre servicio al consumidor

Si el producto requiere servicio o mantenimiento, comuníquese con el establecimiento de servicio autorizado más cercano. Para encontrar el establecimiento de servicio autorizado más cercano a usted, le suplicamos llamarnos a la línea gratuitas, al 1-866-574-9242 (en EE.UU.) o al 1-866-574-9243 (en Canadá).

OWT Industries, Inc.

P.O. Box 35
Highway 8
Pickens, SC 29671
USA