



Straight Shaft String Trimmer

Model No. 51970A—250000001 & Up

Parts Catalog

Ordering Replacement Parts

To order replacement parts, please supply: the part number, the quantity, and the description of each part.

Understanding Reference Numbers

Each identified part in an illustration has a reference number. The reference number for a part also appears in the list, along with other information about the part.

Understanding Figure Numbers

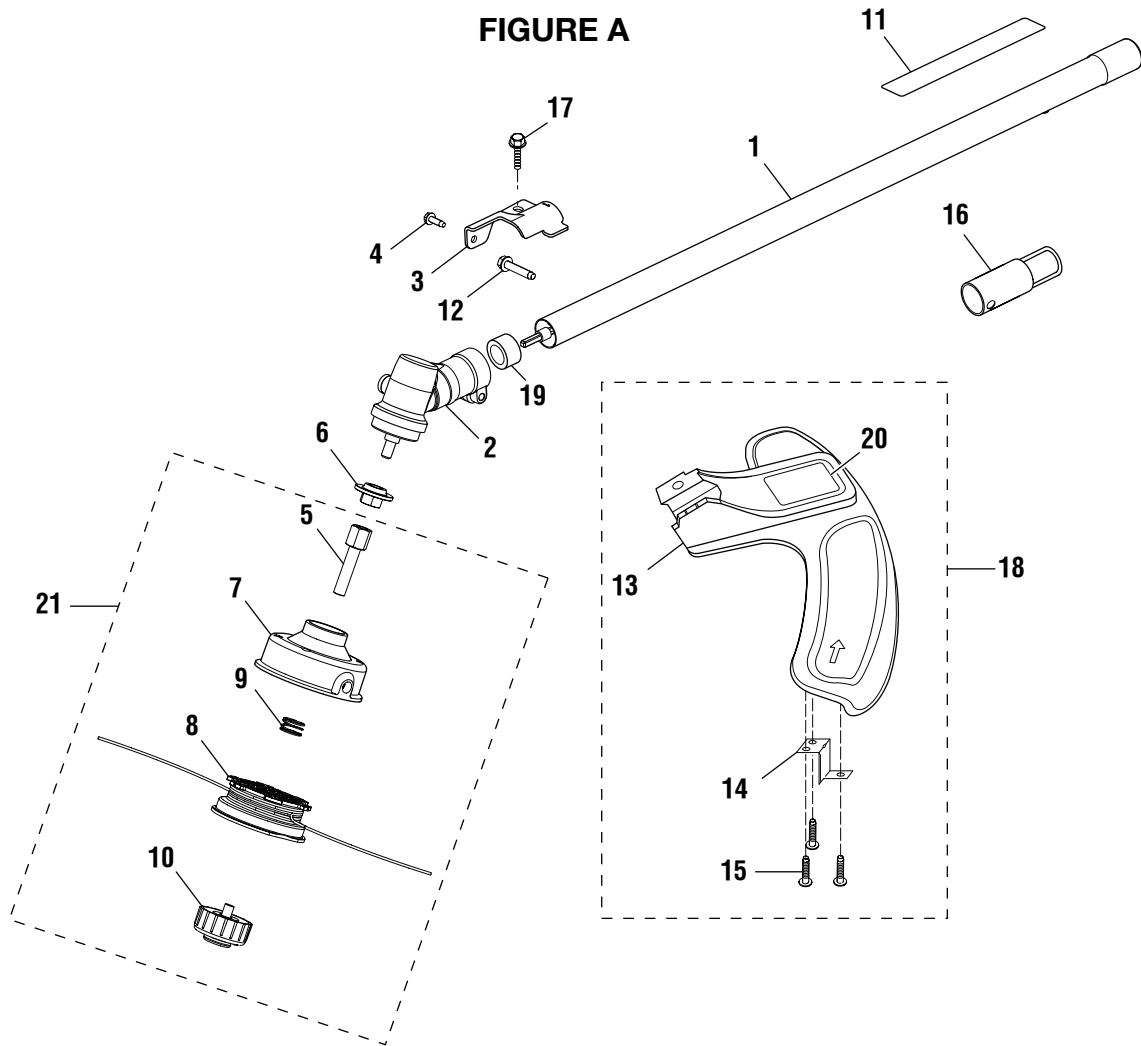
This catalog uses two special reference number formats, one to indicate parts in a service assembly and another to indicate a Figure Number.

Figure Numbers are represented as a Sub-Assembly which follow the exploded views.

Sub-Assemblies can be ordered as an Assembly or you may order any part individually.

TORO STRING TRIMMER – MODEL NUMBER 51970A

FIGURE A

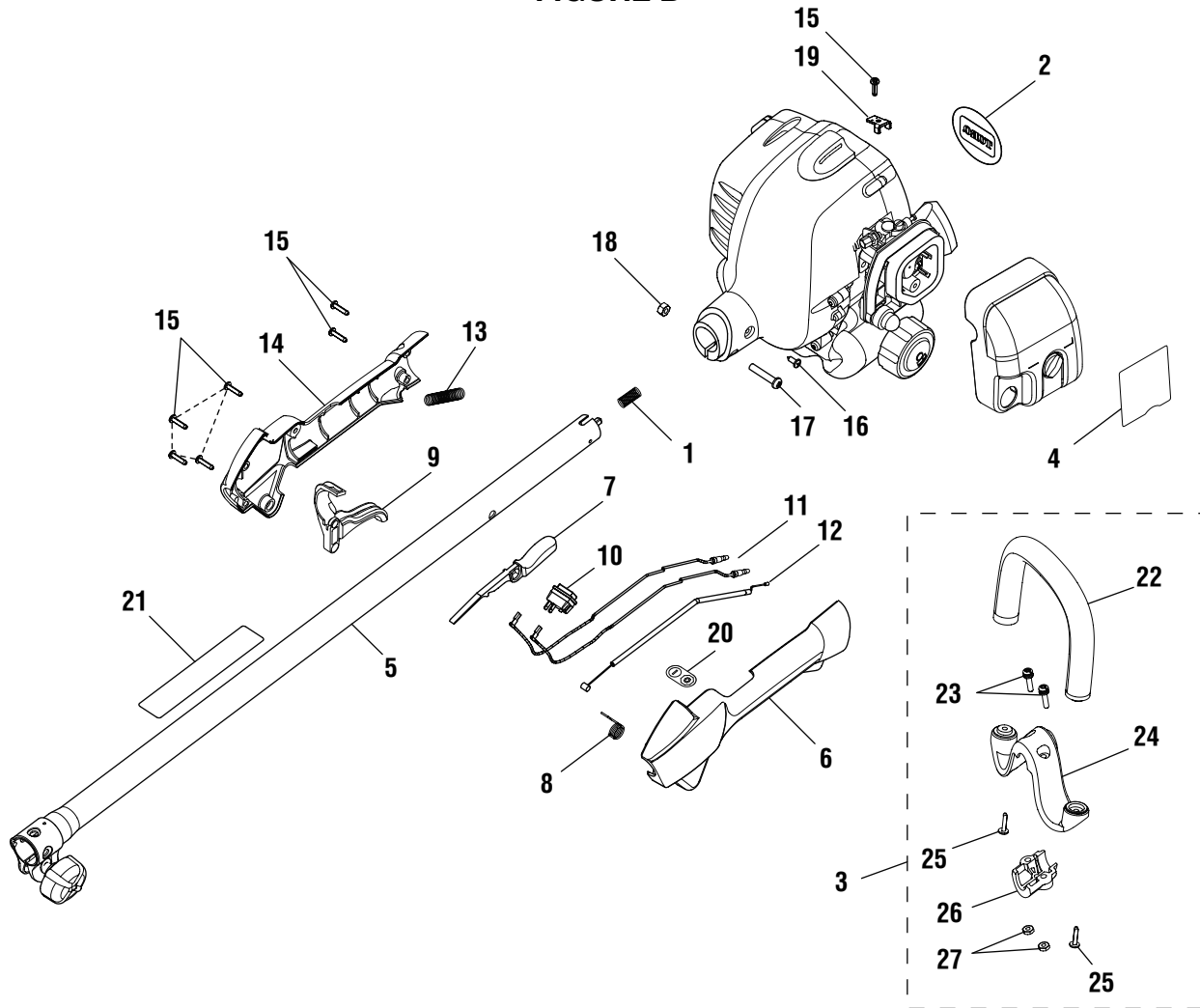


KEY PART NO. NUMBER	DESCRIPTION	QTY.
1	985570001 STRAIGHT SHAFT ASSEMBLY	1
2	984244001 GEAR CASE ASSEMBLY	1
3	PS04420 GRASS DEFLECTOR CLAMP	1
4	983774003 SCREW (#10-24 X 5/8 in. HEX WASHER HD.)	1
5	PS04438 TRIMMER HEAD SHAFT ADAPTOR	1
6	984931001 FLANGED WASHER	1
7	A98231A TRIMMER HEAD.....	1
8	984238001 SPOOL WITH LINE (.095)	1
9	06713 COMPRESSION SPRING	1
10	A97910A RETAINING CAP, LEFT-HANDED THREAD	1
11	984032001 WARNING LABEL.....	1
12	983381007 SCREW	1
13	984099001 GRASS DEFLECTOR.....	1
14	PS04379 LINE CUTTING BLADE.....	1
15	82543 SCREW.....	3
16	PS02155 HANGER CAP	1
17	983379078 SCREW (#1/4-20 X 1-1/4 in. HEX WASHER HD.)	1
18	985623001 GRASS DEFLECTOR ASSEMBLY	1
19	985625001 SPACER.....	1
20	983649001 GRASS DEFLECTOR LABEL.....	1
21	983797001 TRIMMER HEAD ASSEMBLY	1

To locate a source for replacement parts,
contact us toll free at 1-866-574-9242 (US) or 1-866-574-9243 (Canada).

TORO STRING TRIMMER – MODEL NUMBER 51970A

FIGURE B

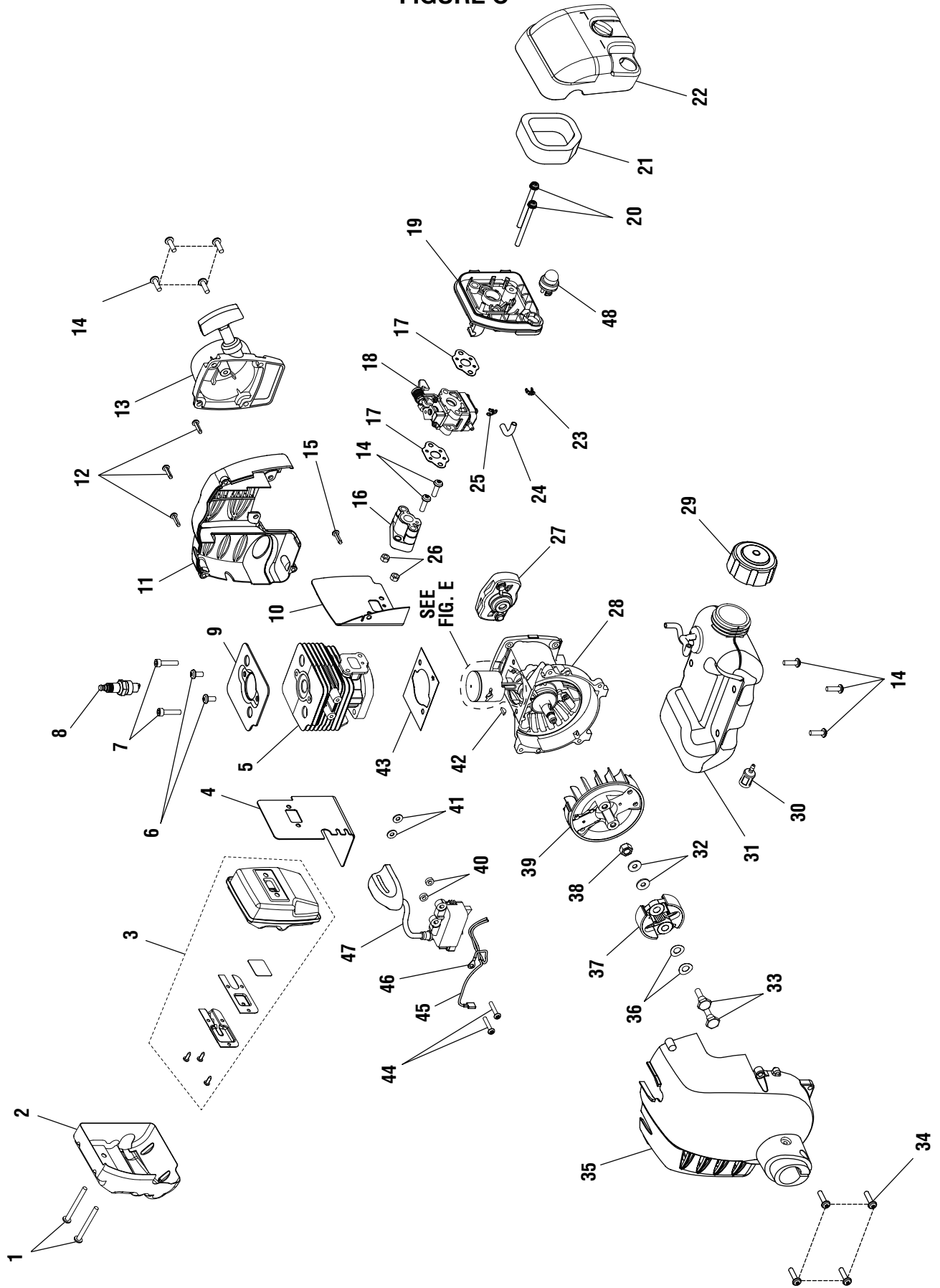


KEY PART NO.	NUMBER	DESCRIPTION	QTY.
1	984106001	COMPRESSION SPRING.....	1
2	983646001	LOGO PLATE.....	1
3	983798003	ASSIST HANDLE ASSEMBLY ...	1
4	986178001	LOWER START LABEL.....	1
5	985397001	UPPER SHAFT ASSEMBLY	1
6	983621001	REAR HANDLE SUPPORT.....	1
7	983623001	LOCK-OFF BUTTON.....	1
8	983624001	TRIGGER SPRING	1
9	983620001	TRIGGER.....	1
10	984236002	SWITCH WITH DUST SHIELD ..	1
11	983782001	LEAD	2
12	986224001	CABLE, THROTTLE.....	1
13	983632003	CORRUGATED TUBE.....	1
14	983622001	REAR HANDLE COVER	1
15	6656301	SCREW (M4 X 16 mm).....	7

KEY PART NO.	NUMBER	DESCRIPTION	QTY.
16	82541	SCREW (#10-14 X 1/2 in. TRI-LOBULAR).....	1
17	983799023	SCREW (M6 X 1-30 mm).....	1
18	983619015	HEX NUT	1
19	985255001	THROTTLE CABLE CLAMP	1
20	984240001	ON/OFF LABEL.....	1
21	984032001	WARNING LABEL	1
22	984439001	ASSIST HANDLE W/GRIP.....	1
23	PS04159	SCREW (#12-24 X 1 in. SEMS) ..	2
24	PS04070	M CLAMP.....	1
25	82620	SLOTTED TORX SCREW	2
26	PS04072	CLAMP.....	1
27	81068	HEX NUT (12-24).....	2
	983000660	OPERATOR'S MANUAL	
	983000660R	REPAIR SHEET	

To locate a source for replacement parts, contact us toll free at 1-866-574-9242 (US) or 1-866-574-9243 (Canada).

FIGURE C



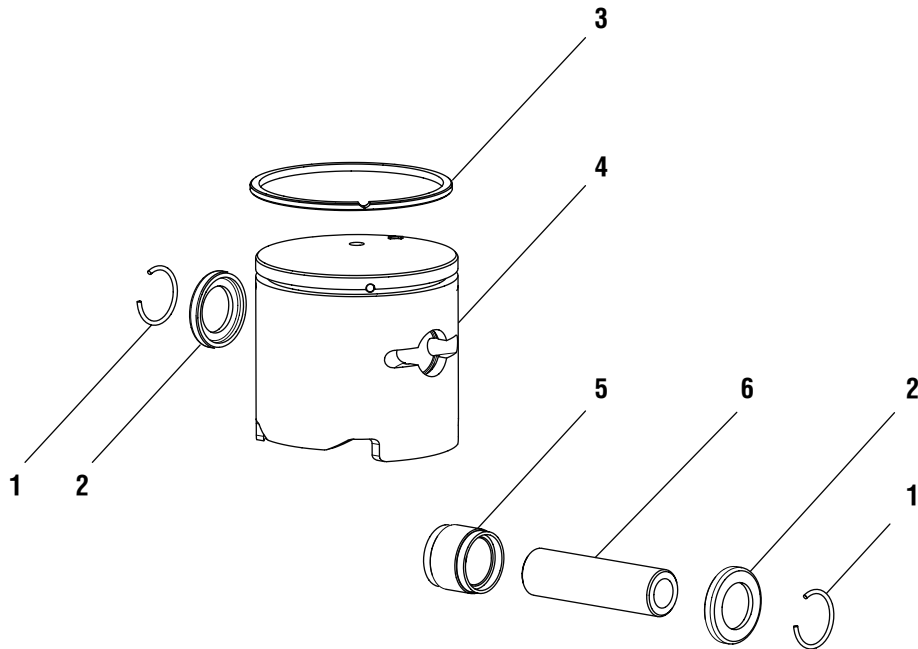
TORO STRING TRIMMER – MODEL NUMBER 51970A

FIGURE C - PARTS LIST

KEY PART NO. NUMBER	DESCRIPTION	QTY.	KEY PART NO. NUMBER	DESCRIPTION	QTY.		
1	983660057	SCREW (M5 X 50 mm TORX SLOTTED RECESSED PAN HD.) ...	2	25	6969901	HOSE CLIP	1
2	985091001	HEAT SHIELD.....	1	26	983619014	NUT (M5 x .8 mm).....	2
3	300748008	MUFFLER ASSEMBLY	1	27	4300401	PULLEY ASSEMBLY	1
4	6300206	MUFFLER GASKET.....	1	28	300749003	CRANKCASE ASSEMBLY.....	1
5	640570016	CYLINDER	1	29	A09116	FUEL CAP ASSEMBLY	1
6	983660005	SCREW (M5 X 10 in. TORX RECESSED PAN HD.)	2	30	PS03380	FUEL FILTER.....	1
7	6634201	SCREW (M5 X 22 mm SOCKET HD.).....	2	31	3075702	FUEL TANK ASSEMBLY (INCLUDES KEY NOS. 29 & 30).....	1
8	8714402	SPARK PLUG.....	1	32	983788071	WASHER.....	2
9	6300221	CYLINDER PLATE.....	1	33	6635301	CLUTCH SCREW.....	2
10	9071102	INSULATOR GASKET	1	34	6634401	SCREW (M5 X 20 mm TORX SLOTTED RECESSED PAN HD.) ...	4
11	5947001	ENGINE HOUSING, REAR.....	1	35	3075403	FRONT HOUSING ASSEMBLY	1
12	6656301	SCREW (M4 X 16 mm TORX RECESSED PAN HD.).....	3	36	6969601	CURVED WASHER	2
13	3075304	STARTER RECOIL ASSEMBLY	1	37	3075601	CLUTCH ASSEMBLY	1
14	6635101	SCREW (M5 X 16 mm Torx SLOTTED RECESSED PAN HD.) ...	9	38	6968901	ROTOR NUT	1
15	6434502	SCREW (M4 X 16 mm PAN HD.)....	1	39	6457401	ROTOR.....	1
16	5994701	HEAT DAM INSULATOR	1	40	5946201	IGNITION COIL SPACER	2
17	9071103	CARBURETOR GASKET.....	2	41	982719005	WASHER (3/16 x 3/64).....	2
18	985892001	CARBURETOR ASSEMBLY	1	42	983784006	WOODRUFF KEY (10 mm X 3 mm).....	1
19	985530002	FILTER HOUSING ASSEMBLY (INCLUDES KEY NO. 48)	1	43	9070901	GASKET	1
20	6634601	SCREW (M5 X 60 mm, SLOTTED RECESSED PAN HD. MACHINE)...	2	44	6634901	SCREW (M4 X 22 mm TORX SLOTTED RECESSED PAN HD.) ...	2
21	5687301	ELEMENT.....	1	45	2914301	LEAD ASSEMBLY, BLACK.....	1
22	985417001	COVER ASSEMBLY	1	46	2914302	LEAD ASSEMBLY, RED.....	1
23	6970001	HOSE CLIP	1	47	2917802	COIL BOOT ASSEMBLY (INCLUDES KEY NOS. 45 & 46).....	1
24	5688002	FUEL LINE.....	1	48	3078001	PRIMER ASSEMBLY.....	1

To locate a source for replacement parts,
contact us toll free at 1-866-574-9242 (US) or 1-866-574-9243 (Canada).

FIGURE D



KEY NO.	PART NUMBER	DESCRIPTION	QTY.
1	6969101	WRIST PIN CLIP RING	2
2	6968701	WASHER	2
3	690161002	PISTON RING.....	1
4	640920002	PISTON.....	1
5	6968602	NEEDLE BEARING (ID 8 X 8.8).....	1
6	6222701	WRIST PIN.....	1

To locate a source for replacement parts,
 contact us toll free at 1-866-574-9242 (US) or 1-866-574-9243 (Canada).



OWT Industries, Inc.

P.O. Box 35
Highway 8
Pickens, SC 29671
USA

Customer Service Information

If your product requires service or maintenance,
contact your nearest authorized service dealer.

To locate your nearest authorized service dealer for this product,
contact us toll free at 1-866-574-9242 (US) or 1-866-574-9243 (Canada).