



# Straight Shaft String Trimmer

Model No. 51970A—250000001 & Up

## Parts Catalog

---

### Ordering Replacement Parts

To order replacement parts, please supply: the part number, the quantity, and the description of each part.

### Understanding Reference Numbers

Each identified part in an illustration has a reference number. The reference number for a part also appears in the list, along with other information about the part.

### Understanding Figure Numbers

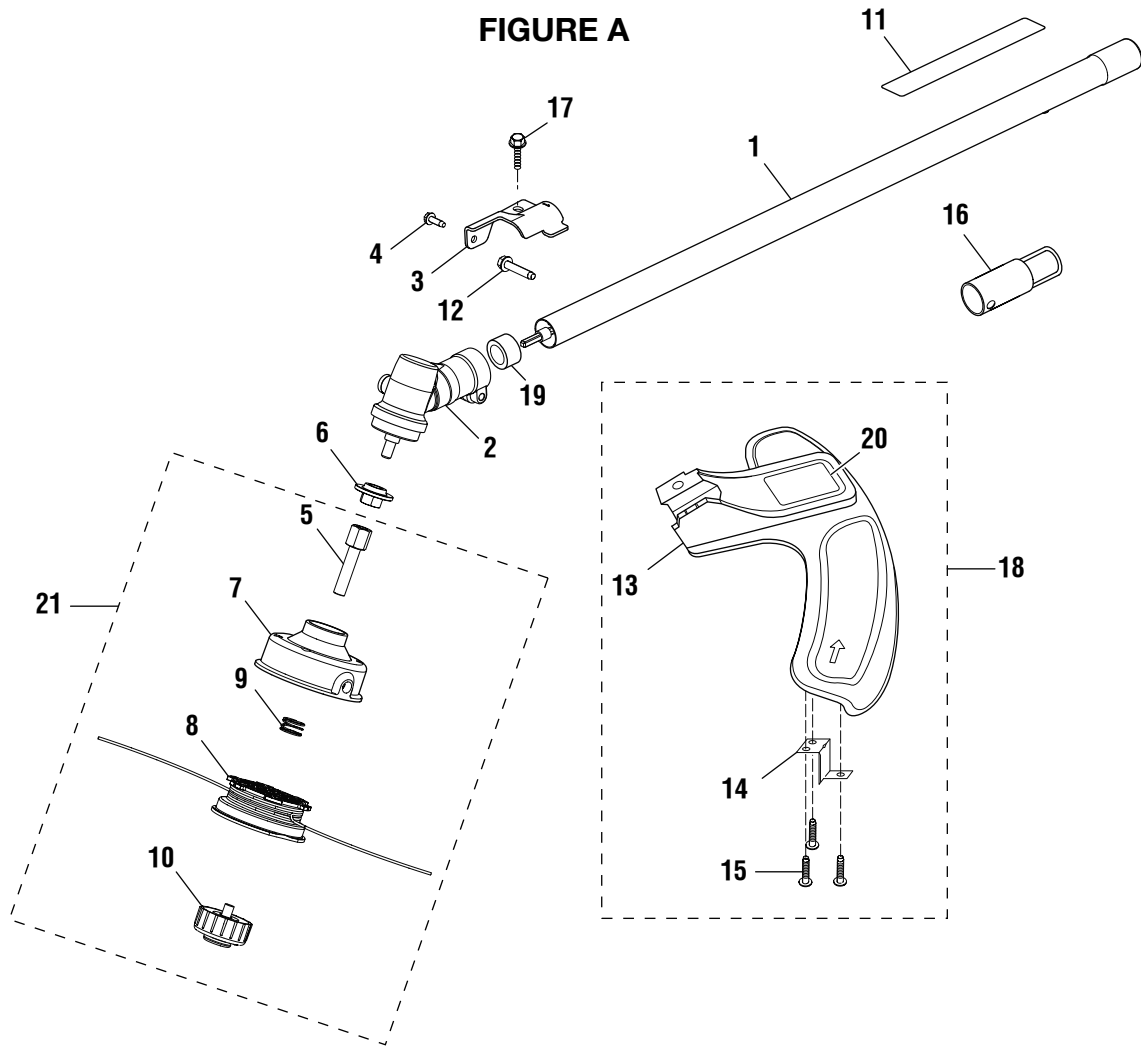
This catalog uses two special reference number formats, one to indicate parts in a service assembly and another to indicate a Figure Number.

Figure Numbers are represented as a Sub-Assembly which follow the exploded views.

Sub-Assemblies can be ordered as an Assembly or you may order any part individually.

**TORO STRING TRIMMER – MODEL NUMBER 51970A**

**FIGURE A**

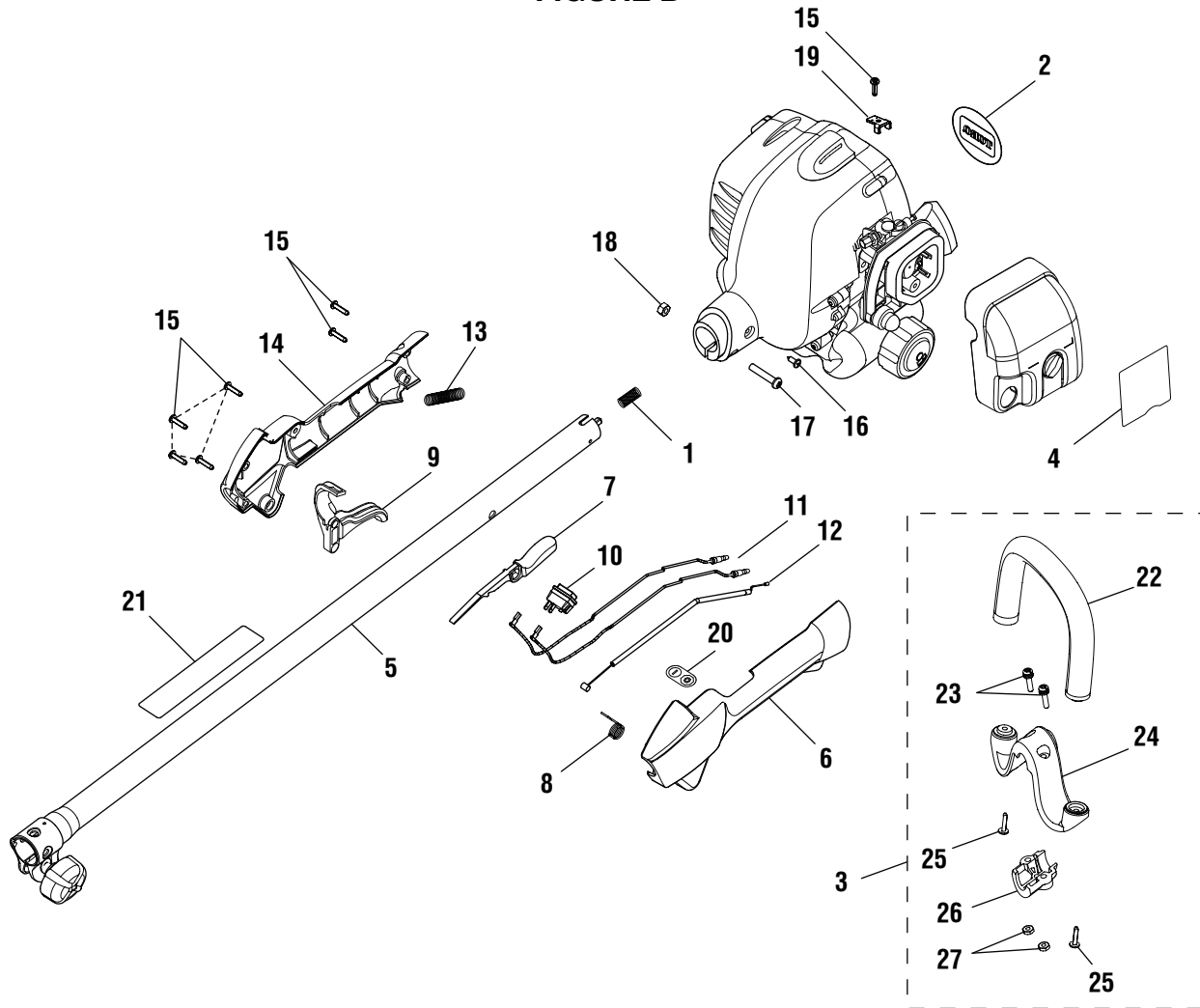


KEY PART NO. NUMBER	DESCRIPTION	QTY.
1	985570001 STRAIGHT SHAFT ASSEMBLY .....	1
2	984244001 GEAR CASE ASSEMBLY .....	1
3	PS04420 GRASS DEFLECTOR CLAMP .....	1
4	983774003 SCREW (#10-24 X 5/8 in. HEX WASHER HD.) .....	1
5	PS04438 TRIMMER HEAD SHAFT ADAPTOR .....	1
6	984931001 FLANGED WASHER .....	1
7	A98231A TRIMMER HEAD.....	1
8	984238001 SPOOL WITH LINE (.095) .....	1
9	06713 COMPRESSION SPRING .....	1
10	A97910A RETAINING CAP, LEFT-HANDED THREAD .....	1
11	984032001 WARNING LABEL.....	1
12	983381007 SCREW .....	1
13	984099001 GRASS DEFLECTOR.....	1
14	PS04379 LINE CUTTING BLADE.....	1
15	82543 SCREW.....	3
16	PS02155 HANGER CAP .....	1
17	983379078 SCREW (#1/4-20 X 1-1/4 in. HEX WASHER HD.) .....	1
18	985623001 GRASS DEFLECTOR ASSEMBLY .....	1
19	985625001 SPACER.....	1
20	983649001 GRASS DEFLECTOR LABEL.....	1
21	983797001 TRIMMER HEAD ASSEMBLY .....	1

To locate a source for replacement parts,  
contact us toll free at 1-866-574-9242 (US) or 1-866-574-9243 (Canada).

**TORO STRING TRIMMER – MODEL NUMBER 51970A**

**FIGURE B**

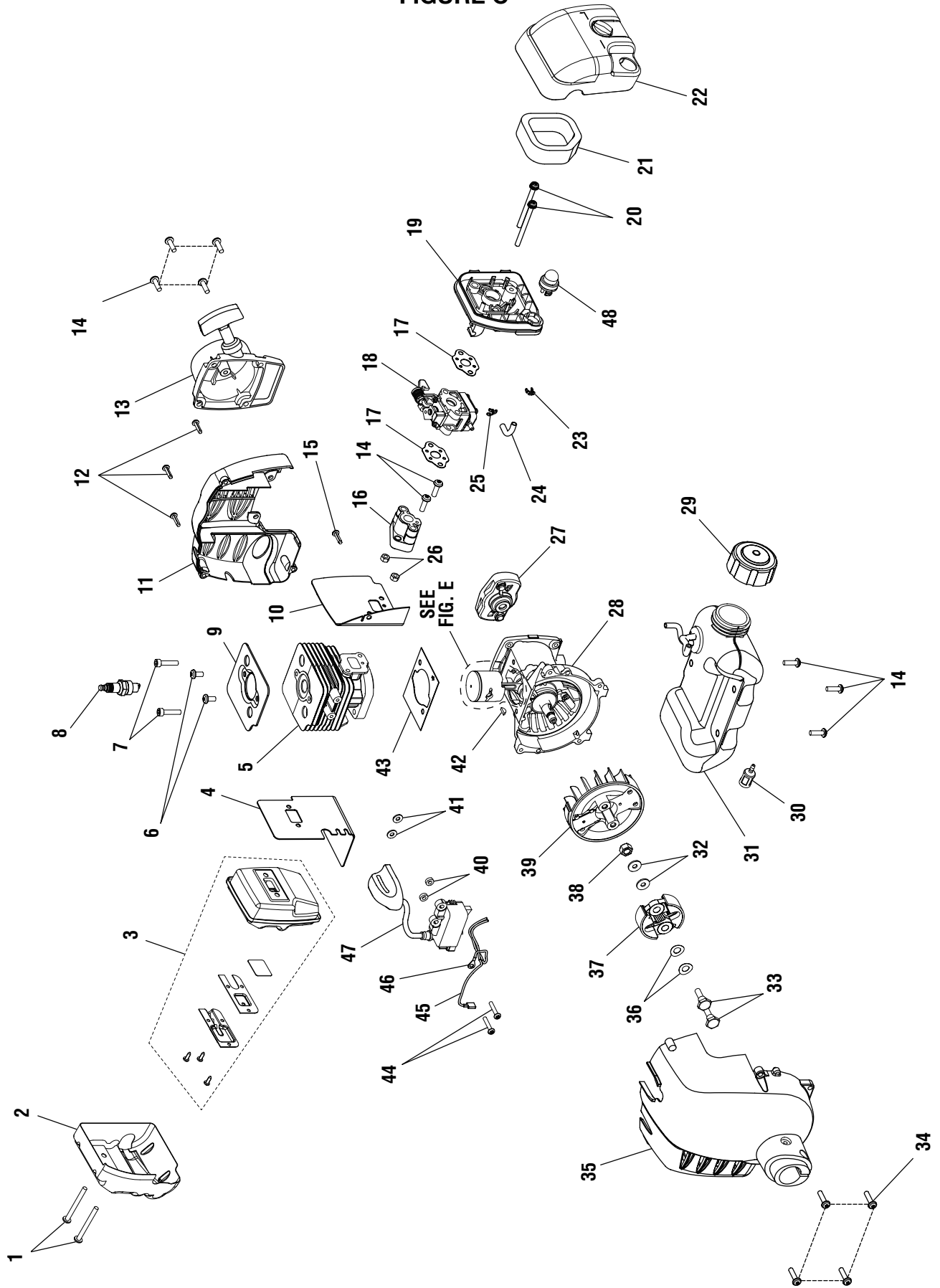


KEY PART NO. NUMBER	DESCRIPTION	QTY.
1 984106001	COMPRESSION SPRING.....	1
2 983646001	LOGO PLATE.....	1
3 983798003	ASSIST HANDLE ASSEMBLY ...	1
4 986178001	LOWER START LABEL.....	1
5 985397001	UPPER SHAFT ASSEMBLY .....	1
6 983621001	REAR HANDLE SUPPORT.....	1
7 983623001	LOCK-OFF BUTTON.....	1
8 983624001	TRIGGER SPRING .....	1
9 983620001	TRIGGER.....	1
10 984236002	SWITCH WITH DUST SHIELD ..	1
11 983782001	LEAD .....	2
12 986224001	CABLE, THROTTLE.....	1
13 983632003	CORRUGATED TUBE.....	1
14 983622001	REAR HANDLE COVER .....	1
15 6656301	SCREW (M4 X 16 mm).....	7

KEY PART NO. NUMBER	DESCRIPTION	QTY.
16 82541	SCREW (#10-14 X 1/2 in. TRI-LOBULAR).....	1
17 983799023	SCREW (M6 X 1-30 mm).....	1
18 983619015	HEX NUT .....	1
19 985255001	THROTTLE CABLE CLAMP .....	1
20 984240001	ON/OFF LABEL.....	1
21 984032001	WARNING LABEL .....	1
22 984439001	ASSIST HANDLE W/GRIP.....	1
23 PS04159	SCREW (#12-24 X 1 in. SEMS) ..	2
24 PS04070	M CLAMP.....	1
25 82620	SLOTTED TORX SCREW .....	2
26 PS04072	CLAMP.....	1
27 81068	HEX NUT (12-24).....	2
983000660	OPERATOR'S MANUAL	
983000660R	REPAIR SHEET	

To locate a source for replacement parts,  
contact us toll free at 1-866-574-9242 (US) or 1-866-574-9243 (Canada).

FIGURE C



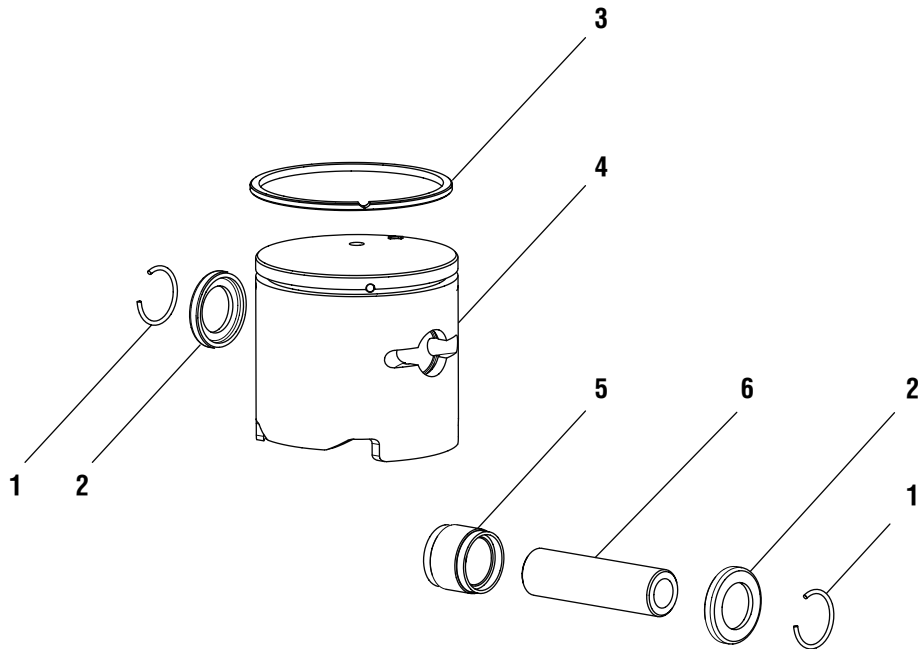
**TORO STRING TRIMMER – MODEL NUMBER 51970A**

**FIGURE C - PARTS LIST**

<b>KEY PART NO. NUMBER</b>	<b>DESCRIPTION</b>	<b>QTY.</b>	<b>KEY PART NO. NUMBER</b>	<b>DESCRIPTION</b>	<b>QTY.</b>
1	983660057	SCREW (M5 X 50 mm TORX SLOTTED RECESSED PAN HD.) ...	25	6969901	HOSE CLIP .....
		2			1
2	985091001	HEAT SHIELD.....	26	983619014	NUT (M5 x .8 mm).....
		1			2
3	300748008	MUFFLER ASSEMBLY .....	27	4300401	PULLEY ASSEMBLY .....
		1			1
4	6300206	MUFFLER GASKET.....	28	300749003	CRANKCASE ASSEMBLY.....
		1			1
5	640570016	CYLINDER .....	29	A09116	FUEL CAP ASSEMBLY .....
		1			1
6	983660005	SCREW (M5 X 10 in. TORX RECESSED PAN HD.) .....	30	PS03380	FUEL FILTER.....
		2			1
7	6634201	SCREW (M5 X 22 mm SOCKET HD.).....	31	3075702	FUEL TANK ASSEMBLY (INCLUDES KEY NOS. 29 & 30).....
		2			1
8	8714402	SPARK PLUG.....	32	983788071	WASHER.....
		1			2
9	6300221	CYLINDER PLATE.....	33	6635301	CLUTCH SCREW.....
		1			2
10	9071102	INSULATOR GASKET .....	34	6634401	SCREW (M5 X 20 mm TORX SLOTTED RECESSED PAN HD.) ...
		1			4
11	5947001	ENGINE HOUSING, REAR.....	35	3075403	FRONT HOUSING ASSEMBLY .....
		1			1
12	6656301	SCREW (M4 X 16 mm TORX RECESSED PAN HD.).....	36	6969601	CURVED WASHER .....
		3			2
13	3075304	STARTER RECOIL ASSEMBLY .....	37	3075601	CLUTCH ASSEMBLY .....
		1			1
14	6635101	SCREW (M5 X 16 mm Torx SLOTTED RECESSED PAN HD.) ...	38	6968901	ROTOR NUT .....
		9			1
15	6434502	SCREW (M4 X 16 mm PAN HD.)....	39	6457401	ROTOR.....
		1			1
16	5994701	HEAT DAM INSULATOR .....	40	5946201	IGNITION COIL SPACER .....
		1			2
17	9071103	CARBURETOR GASKET.....	41	982719005	WASHER (3/16 x 3/64).....
		2			2
18	985892001	CARBURETOR ASSEMBLY .....	42	983784006	WOODRUFF KEY (10 mm X 3 mm).....
		1			1
19	985530002	FILTER HOUSING ASSEMBLY (INCLUDES KEY NO. 48) .....	43	9070901	GASKET .....
		1			1
20	6634601	SCREW (M5 X 60 mm, SLOTTED RECESSED PAN HD. MACHINE)...	44	6634901	SCREW (M4 X 22 mm TORX SLOTTED RECESSED PAN HD.) ...
		2			2
21	5687301	ELEMENT.....	45	2914301	LEAD ASSEMBLY, BLACK.....
		1			1
22	985417001	COVER ASSEMBLY .....	46	2914302	LEAD ASSEMBLY, RED.....
		1			1
23	6970001	HOSE CLIP .....	47	2917802	COIL BOOT ASSEMBLY (INCLUDES KEY NOS. 45 & 46).....
		1			1
24	5688002	FUEL LINE.....	48	3078001	PRIMER ASSEMBLY.....
		1			1

To locate a source for replacement parts,  
contact us toll free at 1-866-574-9242 (US) or 1-866-574-9243 (Canada).

FIGURE D



KEY NO.	PART NUMBER	DESCRIPTION	QTY.
1	6969101	WRIST PIN CLIP RING .....	2
2	6968701	WASHER .....	2
3	690161002	PISTON RING.....	1
4	640920002	PISTON.....	1
5	6968602	NEEDLE BEARING (ID 8 X 8.8).....	1
6	6222701	WRIST PIN.....	1

To locate a source for replacement parts,  
 contact us toll free at 1-866-574-9242 (US) or 1-866-574-9243 (Canada).





**OWT Industries, Inc.**

P.O. Box 35  
Highway 8  
Pickens, SC 29671  
USA

**Customer Service Information**

If your product requires service or maintenance,  
contact your nearest authorized service dealer.

To locate your nearest authorized service dealer for this product,  
contact us toll free at 1-866-574-9242 (US) or 1-866-574-9243 (Canada).