



Z400 Z Master[®] With 48in 7-Gauge Side Discharge Mower

Model No. 74412 - 260000001 and up.

Parts Catalog

Ordering Replacement Parts

To order replacement parts, please supply the part number, the quantity, and the description of each part desired.

Understanding Reference Numbers

Each Identified part in an illustration has a reference number. The reference number for a part also appears in the parts list, along with other information about the part.

This catalog uses two special reference number formats, one to indicate parts in a service assembly and another to indicate the quantity of a given part in an illustration.

Service Assembly Reference Numbers

Parts in service assemblies have reference numbers in the form a:b. The a represents the reference number of the entire service assembly and the b represents a sequential number unique to each part within the service assembly.

For example, a wheel assembly might be identified by reference number 6, the tire by 6:1, the valve by 6:2, and the wheel by 6:3. When you order the assembly identified by reference number 6, you receive all parts identified by reference numbers 6:1, 6:2, and 6:3. However, you may also order any part individually. Reference numbers of this type appear in illustrations and in part lists.

Reference Numbers Indicating Quantity

In an illustration, if a reference number indicates more than one part, the reference number has the form nX y. The n represents the quantity of the part, the X is the multiplication symbol, and the y represents the reference number.

For example, in an illustration, the reference number 2X 37 means that two of the parts identified by reference number 37 are indicated.

Contents

Description	Page	Description	Page
Front Frame Assembly 3	Electrical System Assembly 23
Height-of-Cut Assembly 4	Crankshaft Assembly Kohler CV493S 27528 24
Main Frame Assembly 5	Crankcase Assembly Kohler CV493S 27528 25
Fuel System Assembly 6	Oil Pan/Lubrication Assembly Kohler CV493S 27528 26
Parking Brake Assembly 7	Head/Valve/Breather Assembly Kohler CV493S 27528 27
Motion Control Assembly 8	Ignition/Electrical Assembly Kohler CV493S 27528 28
Hydraulic System Assembly 9	Blower Housing and Baffle Assembly Kohler CV493S 27528 29
Pump Idler and Belt Assembly 11	Starting System Assembly Kohler CV493S 27528 30
Engine and Clutch Assembly 12	Engine Control Assembly Kohler CV493S 27528 31
Deck Mounting Assembly 13	Fuel System Assembly Kohler CV493S 27528 32
Deck Assembly No. 107-1667 14	Air Intake/Filtration Assembly Kohler CV493S 27528 34
Deck Decal Assembly No. 107-1666 15	Exhaust Assembly Kohler CV493S 27528 35
Spindle Assembly No. 107-8504 16	Attachments and Accessories List 36
Rubber Deflector Assembly No. 108-7770 17		
Idler Assembly 18		
Seat and Bracket Assembly 19		
Seat Assembly No. 110-0443 20		
Roll-Over-Protection-System Assembly 21		
Roll-Over-Protection-System Assembly No. 107-8093 22		

Part Description Abbreviations

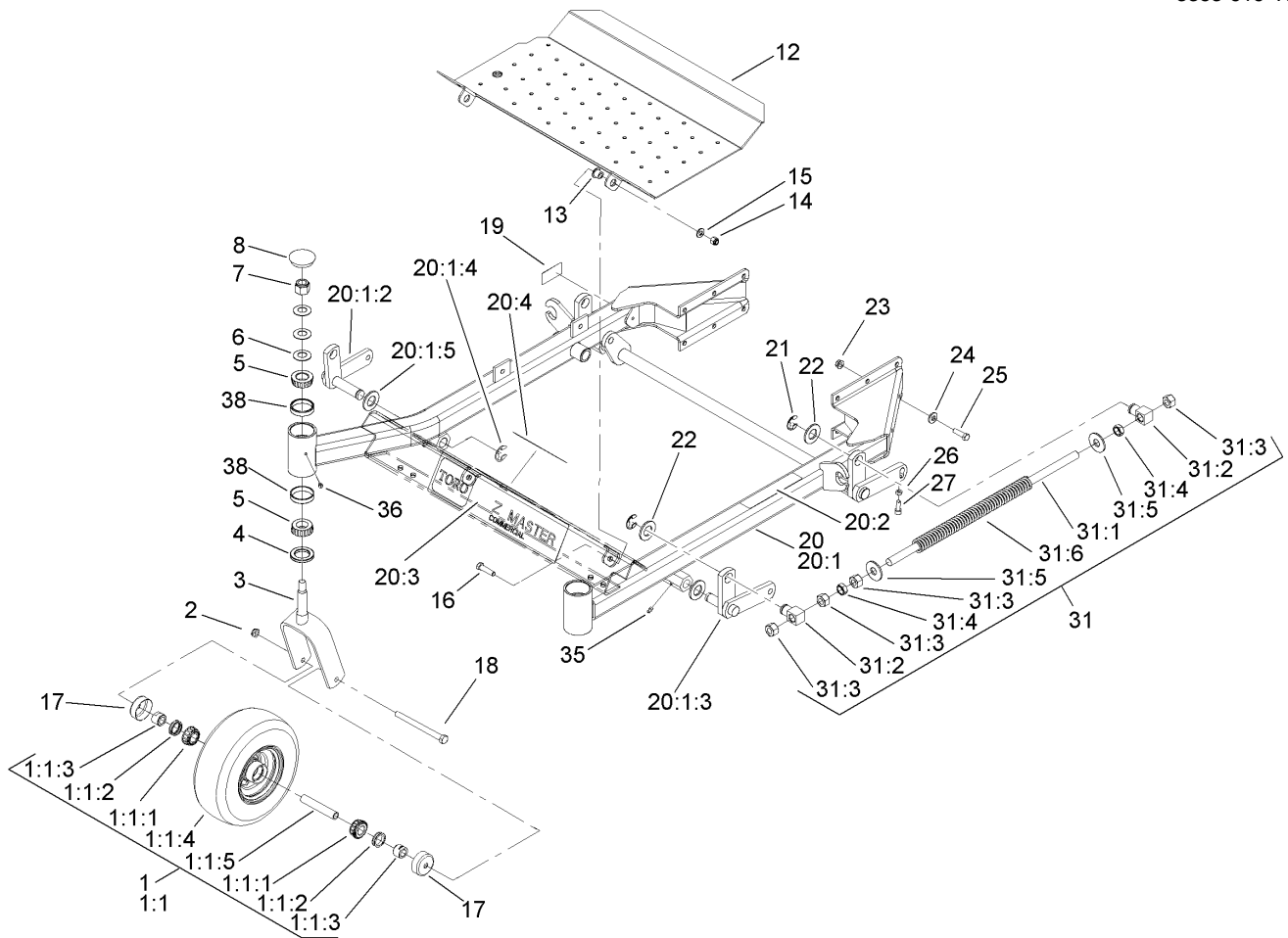
Part descriptions in this catalog may include the following abbreviations.

AR. as required	INC. incorporated
ASM. assembly	LH. left hand
BBC. blade brake clutch	NI. nylon insert
CARR. carriage	NPTF. national pipe thread fine
DEG. degrees	PFH. phillips flat head
EXT. external	PPH. phillips pan head
FH. flat head	PPHTF. phillips pan head thread forming
GA. gauge	PRH. phillips round head
HF. hex flange	PTH. phillips truss head
HH. hex head	PTO. power-take-off
HHF. hex head flange	RH. right hand
HHFTF. hex head flange thread forming	ROPS. roll-over-protection-system
HJ. hex jam	SFH. slotted fillister head
HLH. hex lag head	SHH. slotted hex head
HOC. height-of-cut	SHWH. slotted hex washer head
HSBH. hex socket button head	SPH. slotted pan head
HSFH. hex socket flat head	SQH. square head
HSH. hex socket head	SRH. slotted round head
HWH. hex washer head	STD. standard
HWHTF. hex washer head thread forming	TAP. self tapping
HYD. hydraulic	TTH. torx truss head

Footnotes

- ❶ Not illustrated
- ❷ Obtain from your local Kohler dealer

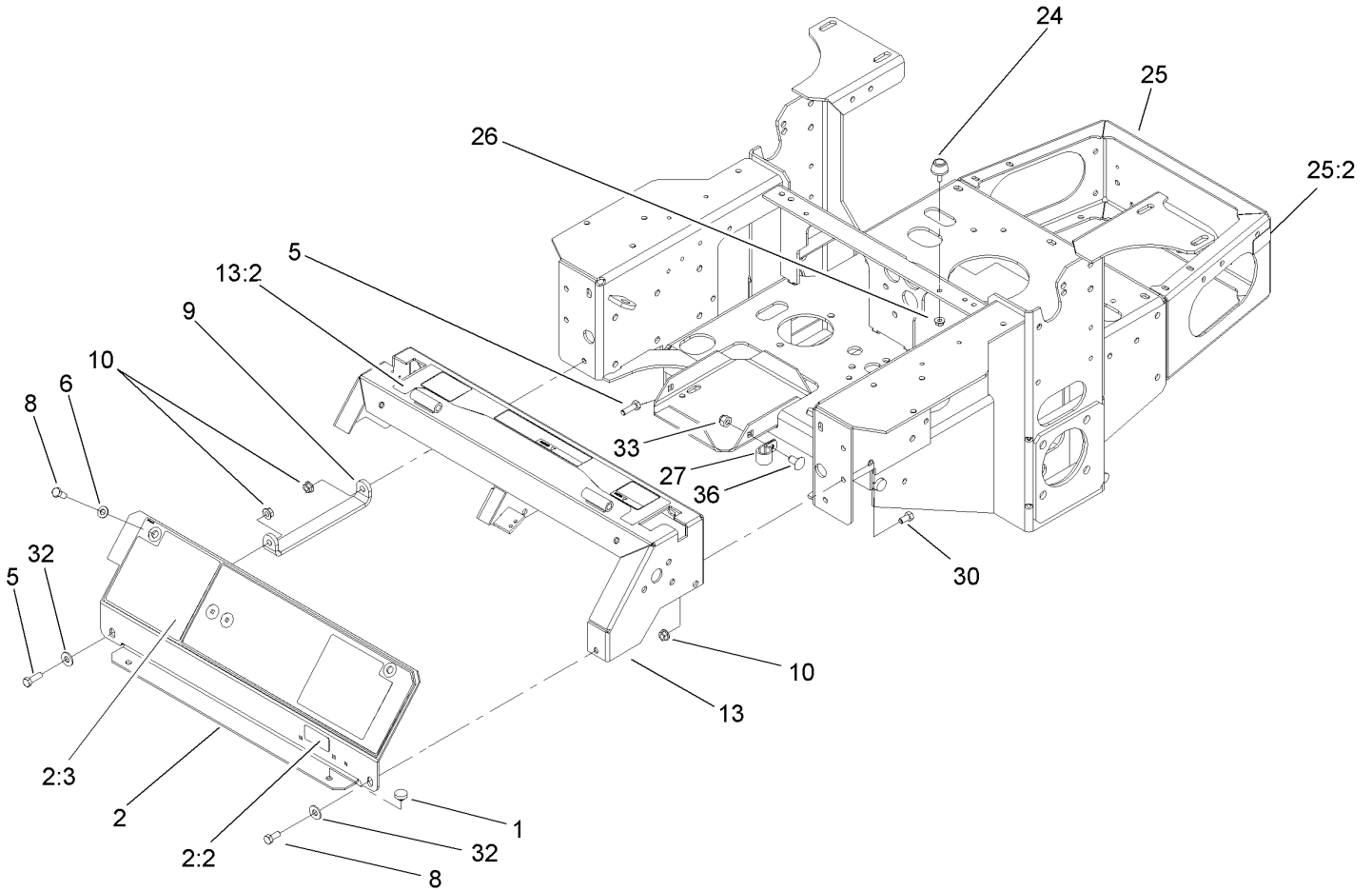
- ❸ Not serviced separately



Front Frame Assembly

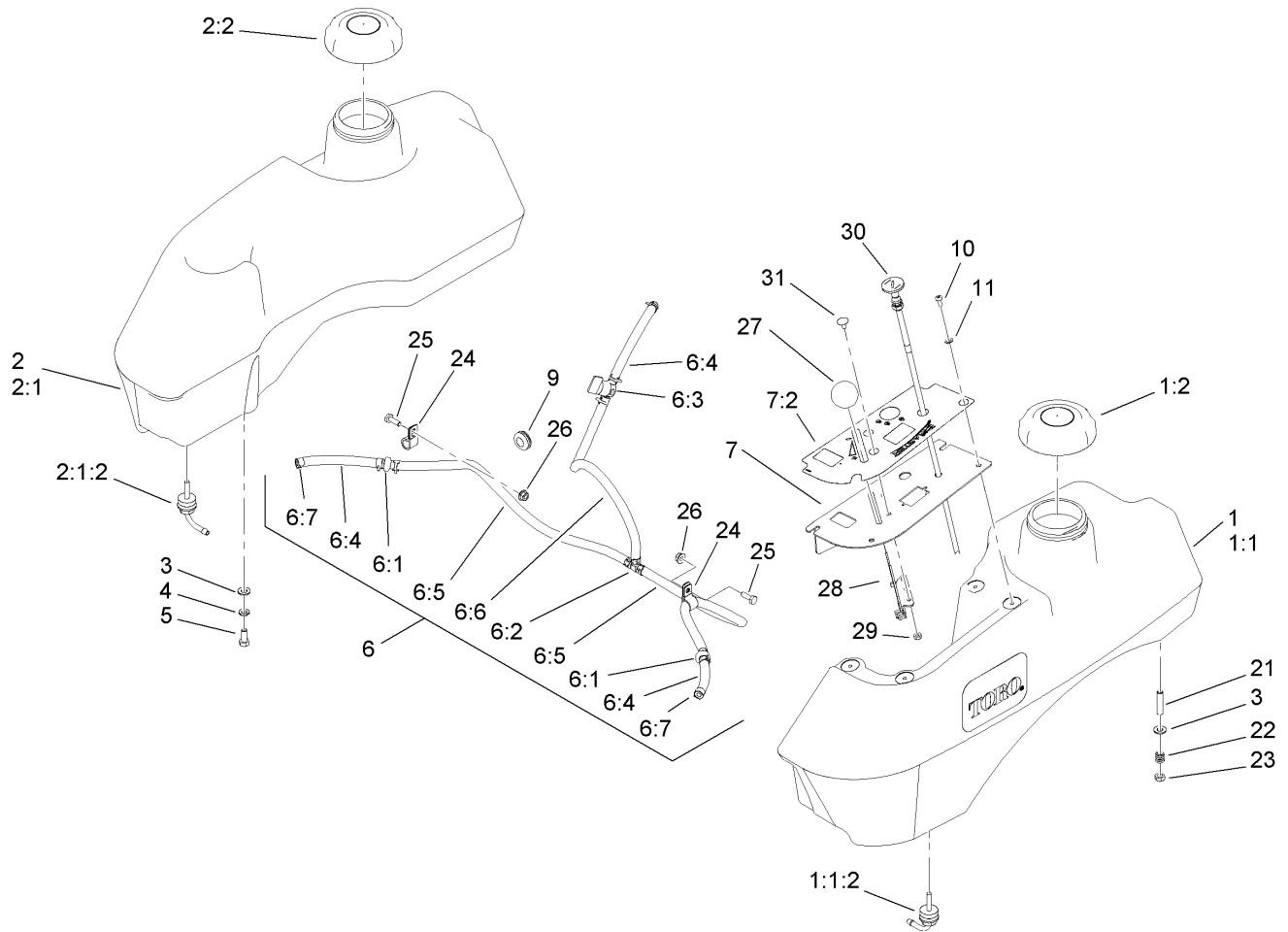
Ref	Part No.	Qty.	Description
② 1	103-3800	2	Wheel And Tire ASM
② 1:1		1	Wheel And Bearing ASM
1:1:1	1-633585	2	Bearing-Cone, Taper
1:1:2	103-0063	2	Seal-Caster
1:1:3	103-3051	2	Spacer-Nut
1:1:4	103-3151	1	Wheel And Tire ASM
1:1:5	103-3157	1	Axle-Caster
2	3296-45	2	Nut-Lock, NI
3	108-7724-01	2	Caster Fork ASM
4	1-543511	2	Seal-Grease
5	254-94	4	Bearing-Cone, Tapered
6	1-633508	6	Washer-Bellville
7	3296-51	2	Nut-Lock, NI
8	103-4882	2	Cap-Grease
12	108-5007-03	1	Floor Pan
13	86-2180	2	Bushing-Flange
14	3296-39	2	Nut-Lock, NI
15	3256-24	2	Washer-Flat
16	323-8	2	Screw-HH
17	103-2768	4	Guard-Seal
18	325-20	2	Screw-HH
19	108-5278	1	Decal
20	108-7744	1	Front Frame ASM
② 20:1		1	Frame-Front

Ref	Part No.	Qty.	Description
20:1:2	99-3872	1	RH Lift Arm ASM
20:1:3	99-3871	1	LH Lift Arm ASM
20:1:4	32151-103	2	Ring-Snap
20:1:5	3256-29	2	Washer-Flat
20:2	1-633818	1	Decal-Warning
20:3	106-9730	1	Decal
20:4	107-2112	1	Decal-Warning
21	32151-103	4	Ring-Snap
22	3256-29	4	Washer-Flat
23	3290-357	12	Nut-HHF, Whiz
24	98-5975	12	Washer-Bellville
25	323-7	12	Screw-HH
26	3218-2	2	Nut-Jam
27	3274-18	2	Screw-HSH
31	1-634439	2	Front Frame Spring ASM
31:1	1-633096	1	Rod-Lift, Deck
31:2	1-633441	2	Swivel-Deck Mount, Rear
31:3	3217-11	4	Nut-Hex
31:4	3218-6	2	Nut-Jam
31:5	3256-7	2	Washer-Flat
31:6	1-633064	1	Spring-Support, Deck
35	302-19	4	Fitting-Grease
36	302-5	2	Fitting-Grease
38	254-72	4	Bearing-Cup, Tapered



Main Frame Assembly

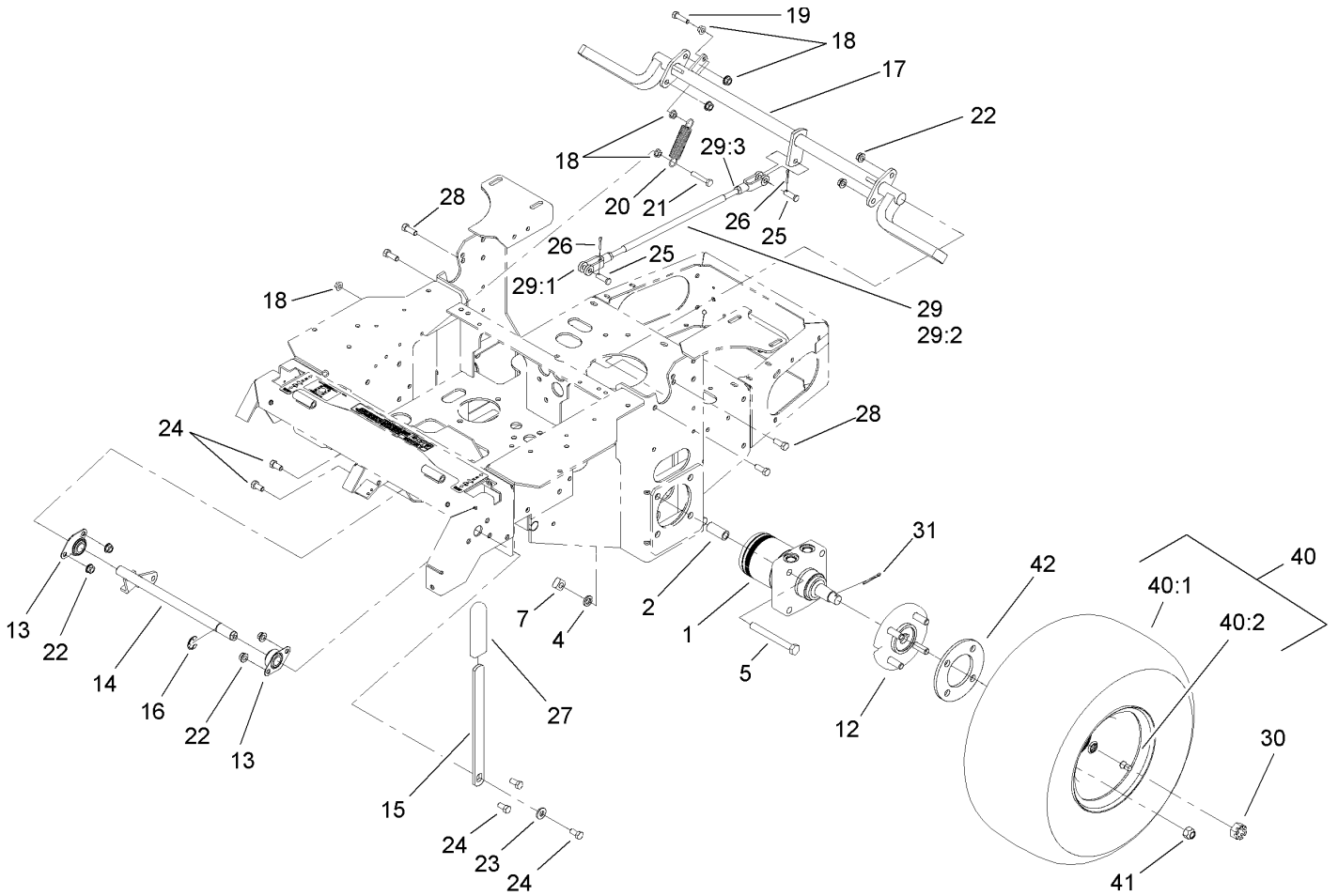
Ref	Part No.	Qty.	Description
1	1-513658	2	Bumper
2	108-1864	1	Panel ASM
2:2	98-4387	1	Decal-Protection, Ear
2:3	107-8445	1	Decal-Cover, Panel
5	322-5	2	Screw-HH
6	3256-23	2	Washer-Flat
8	322-3	3	Screw-HH
9	1-653089-03	1	Bracket
10	32128-20	6	Nut-HF
13	108-5997	1	Console ASM
13:2	108-5995	1	Decal-Warning
24	1-523420	2	Bumper
25	108-2782	1	Main Frame ASM
25:2	65-2690	1	Decal-Surface, Hot
26	32128-33	2	Nut-HF
27	1-633396	1	Clip-Loom
30	322-2	4	Screw-HH
32	3256-3	2	Washer-Flat
33	3296-39	1	Nut-Lock, NI
36	3231-21	1	Screw-CARR



Fuel System Assembly

Ref	Part No.	Qty.	Description
1	110-4165	1	LH Fuel Tank Kit ASM
② 1:1		1	LH Fuel Tank ASM
1:1:2	103-2605	1	Fitting-Fuel, Bulkhead
1:2	109-0346	1	Cap-Fuel, Gas
2	105-3639	1	RH Fuel Tank Kit ASM
② 2:1		1	RH Fuel Tank ASM
2:1:2	103-2605	1	Fitting-Fuel, Bulkhead
2:2	109-0346	1	Cap-Fuel, Gas
3	3256-23	8	Washer-Flat
4	1-805005	4	Washer-Lock
5	322-3	4	Screw-HH
② 6		1	Fuel Line ASM
6:1	99-5000	2	Valve-Check, Fuel
6:2	99-5005	1	Fitting-Tee, Barbed
6:3	1-603770	1	Valve-Fuel
6:4	109-0678	3	Hose-Fuel
6:5	110-5701	2	Hose-Fuel
6:6	109-0297	1	Hose-Fuel
6:7	1-303077	12	Clamp
7	107-2149	1	Control Panel ASM
7:2	110-0439	1	Decal-Panel, Control
9	1-543296	2	Grommet
10	1-803071	4	Screw
11	1-303435	4	Washer-Spring

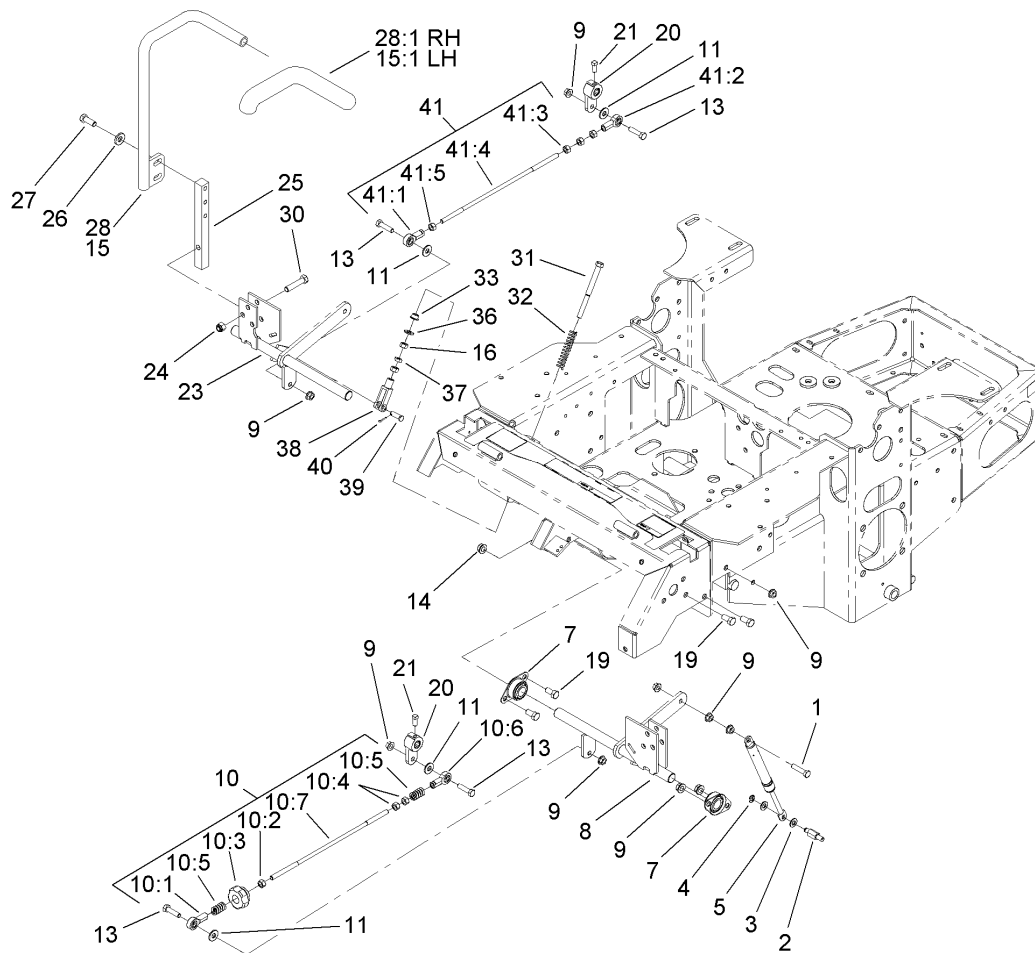
Ref	Part No.	Qty.	Description
21	1-633023	4	Stud
22	1-633349	4	Spring-Tank, Fuel
23	3296-47	4	Nut-Lock, NI
24	1-513762	4	Clip-Loom
25	321-4	2	Screw-HH
26	32128-33	2	Nut-HF
27	1-513592	1	Knob-Ball
28	103-4091	1	Cable-Throttle
29	3296-2	2	Nut-Lock
30	103-4090	1	Control-Choke
31	1-807513	2	Bolt-CARR



Parking Brake Assembly

Ref	Part No.	Qty.	Description
1	103-4695	2	Motor-Wheel
1:1	1-000119	1	Seal Kit
1:2	1-000138	1	Bearing Kit
2	103-4042	8	Spacer-Motor, Wheel
4	3253-7	8	Washer-Lock
5	325-18	8	Screw-HH
7	103-0131	8	Nut-Square
12	1-602997	2	Hub W/Studs
13	1-633102	2	Bearing-Flange, Side
14	103-3116	1	Shaft-Brake, Parking
15	107-9255-03	1	Handle-Brake, Parking
16	32151-48	1	E-Ring
17	103-3960-03	1	Brake
18	32128-20	4	Nut-HF
19	322-6	1	Screw-HH
20	1-323161	1	Spring-Idler
21	322-9	1	Screw-HH
22	3290-357	8	Nut-HHF, Whiz
23	98-5975	1	Washer-Belleville
24	323-4	5	Screw-HH
25	1-808285	2	Pin-Clevis
26	3272-10	2	Pin-Cotter
27	1-633268	1	Grip-Lever, Brake
28	323-6	4	Screw-HH

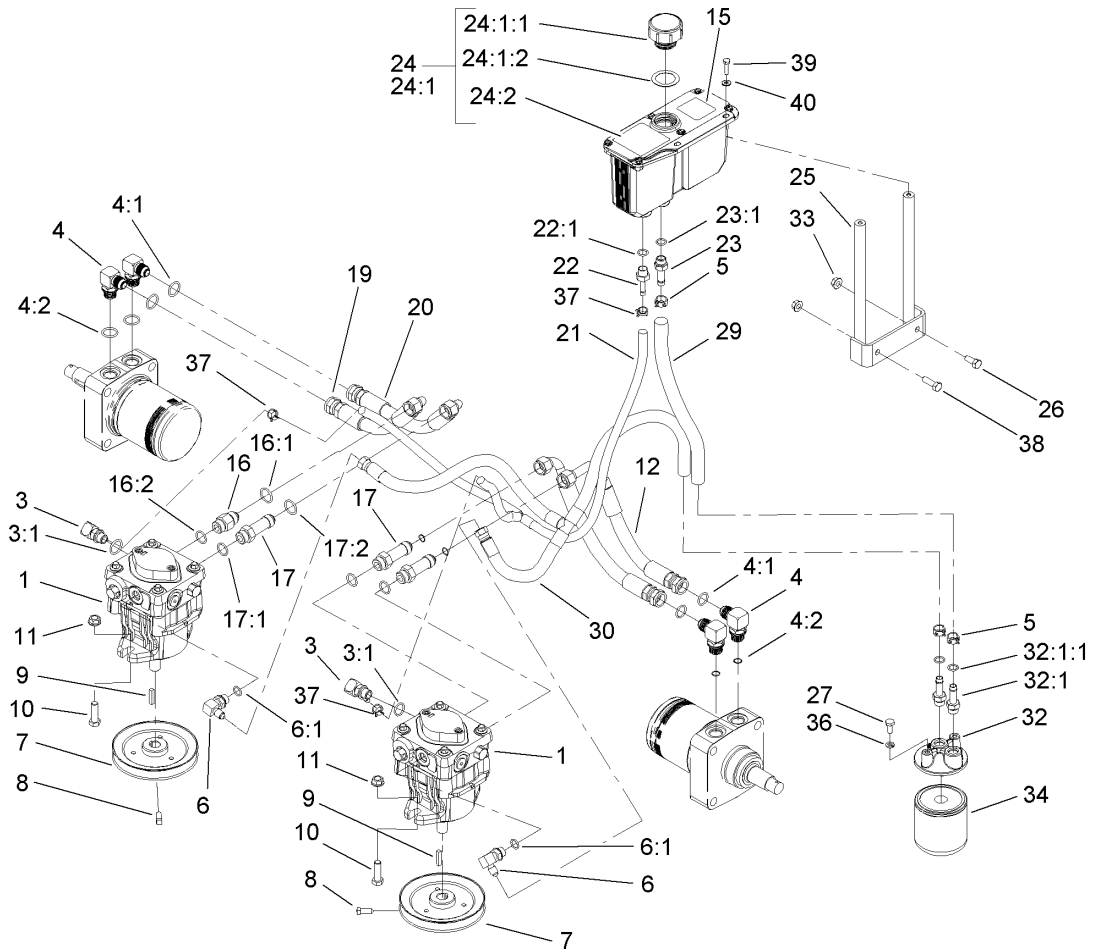
Ref	Part No.	Qty.	Description
29	103-4335	1	Brake Rod ASM
29:1	1-633131	2	Yoke-Linkage, Brake
29:2	103-3907	1	Linkage-Handle, Brake
29:3	3219-3	2	Nut-Hex
30	32136-5	2	Nut-Hex, Slotted
31	1-806800	2	Pin-Cotter
40	1-543396	2	Wheel And Tire ASM
40:1	1-543680	1	Tire
40:2	1-513042	1	Wheel
41	242-50	8	Nut-Lug
42	103-6595	2	Spacer-Wheel



Motion Control Assembly

Ref	Part No.	Qty.	Description
1	1-403180	2	Screw-HH
2	103-4101	2	Pin-Damper
3	3256-23	4	Washer-Flat
4	32120-35	2	E-Ring
5	103-4079	2	Damper-Control, Motion
7	1-633102	4	Bearing-Flange, Side
8	103-4774	1	Control-Motion, LH
9	32128-20	12	Nut-HF
10	103-4326	1	Tracking Rod ASM
10:1	1-543017	1	Balljoint-RH
10:2	3219-2	1	Nut-Hex
10:3	103-3060	1	Knob-Tracking
10:4	1-804524	2	Nut
10:5	1-323245	2	Spring-Compression
10:6	1-633152	1	Balljoint-Thread, LH
10:7	103-3066	1	Link-Rod, Tracking
11	3256-3	4	Washer-Flat
13	322-6	4	Screw-HH
14	3290-357	6	Nut-HHF, Whiz
15	103-0631	1	LH Lever ASM
15:1	1-633257	1	Grip-Control, Motion
16	3219-2	4	Nut-Hex
19	323-4	6	Screw-HH
20	103-3717	2	Arm-Control

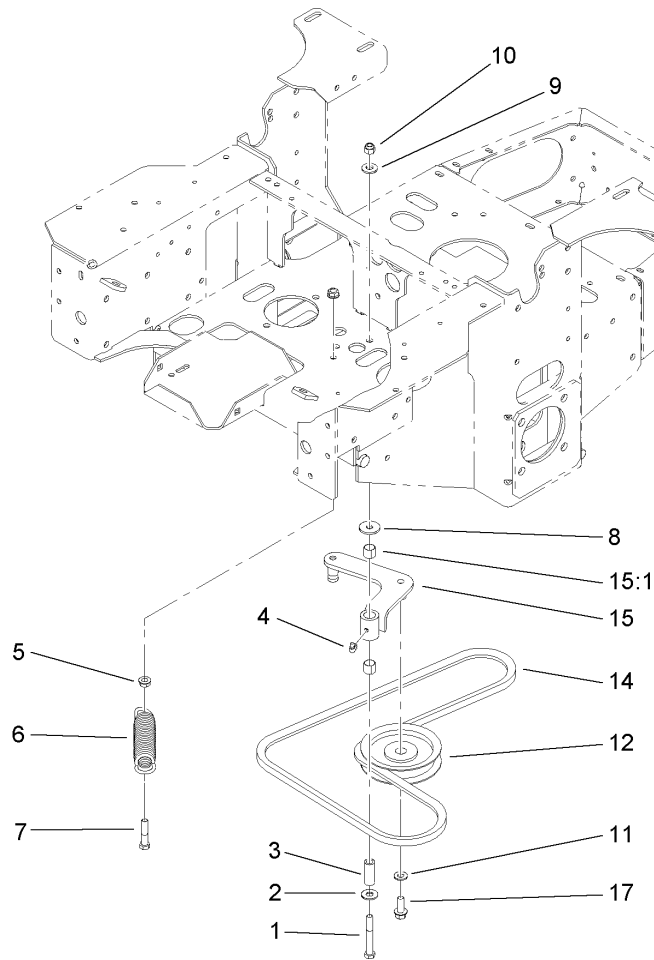
Ref	Part No.	Qty.	Description
21	1-803022	2	Screw-Set
23	103-4773	1	Control-Motion, RH
24	3296-39	6	Nut-Lock, NI
25	103-0407	2	Arm-Shaft, Control
26	98-5975	4	Washer-Belleville
27	323-6	4	Screw-HH
28	103-0632	1	RH Lever ASM
28:1	1-633257	1	Grip-Control, Motion
30	323-9	6	Screw-HH
31	1-603737	2	Bolt-Return, Neutral
32	1-603807	2	Spring-Return, Neutral
33	1-603735	2	Bushing-Flanged
36	3256-2	2	Washer-Flat
37	3220-2	2	Nut-Jam
38	1-303105	2	Yoke-Adjustable
39	1-808280	2	Pin-Clevis
40	3272-5	2	Pin-Cotter
41	103-4327	1	Tracking ASM
41:1	1-543017	1	Balljoint-RH
41:2	1-633152	1	Balljoint-Thread, LH
41:3	1-804524	1	Nut
41:4	103-3066	1	Link-Rod, Tracking
41:5	3219-2	3	Nut-Hex



Hydraulic System Assembly

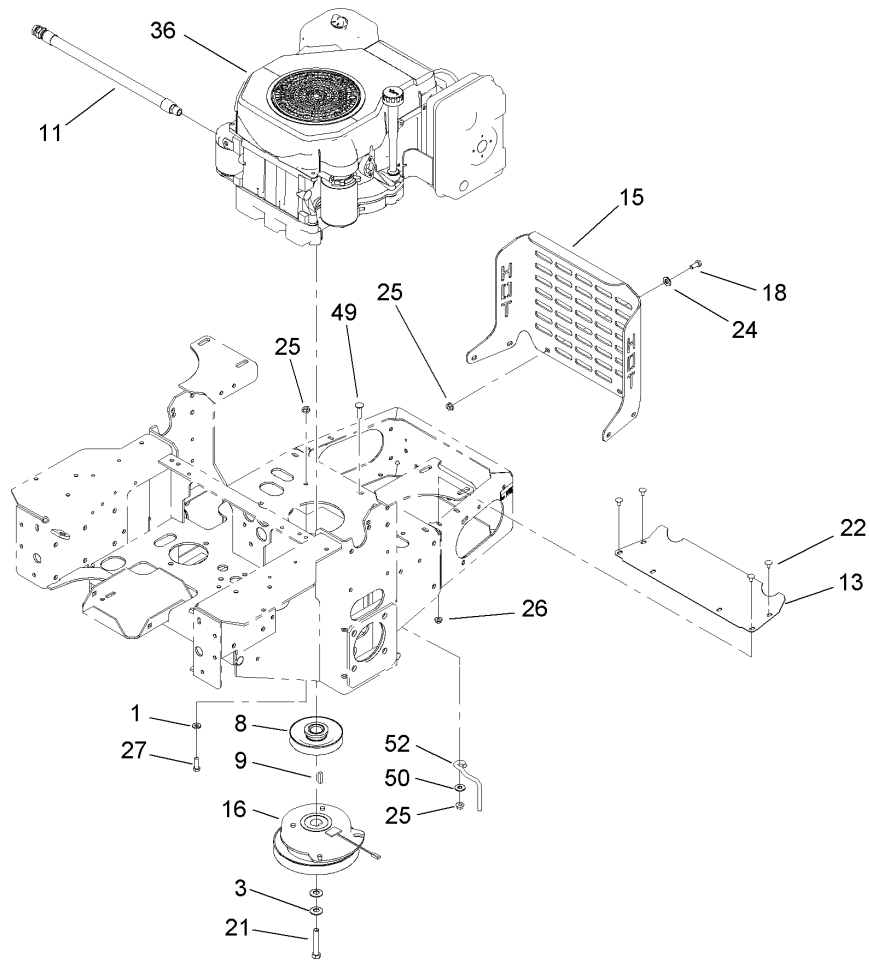
Ref	Part No.	Qty.	Description
1	103-4040	2	Pump-HYD
3	103-1799	2	Elbow-90 DEG
3:1	237-42	1	O-Ring
4	103-2153	4	Fitting-90 DEG
4:1	1-603920	1	O-Ring
4:2	1-603992	1	O-Ring
5	103-1988	3	Clamp-Hose
6	103-1802	2	Fitting-HYD, 90 DEG
6:1	1-603921	1	O-Ring
7	1-653156	2	Pulley
8	1-803050	2	Screw-Set
9	1-807272	2	Key
10	323-7	4	Screw-HH
11	3290-357	5	Nut-HHF, Whiz
12	103-4022	1	Hose-Rear, LH
15	103-2644	1	Decal-Exhaust
16	103-4020	1	Adapter-Straight
16:1	1-603920	1	O-Ring
16:2	1-603992	1	O-Ring
17	103-1940	3	Adapter-HYD, Straight
17:1	237-79	1	O-Ring
17:2	1-603992	1	O-Ring
19	103-4021	1	Hose-Rear, RH
20	1-653187	2	Hose-Rear, RH

Ref	Part No.	Qty.	Description
21	103-2357	1	HYD Hose ASM
22	103-1801	1	Adapter-Straight
22:1	237-42	1	O-Ring
23	103-1912	1	Adapter-Straight
23:1	237-42	1	O-Ring
24	103-1947	1	HYD Reservoir ASM
24:1		1	Reservoir-HYD
24:1:1	103-1948	1	Cap-Reservoir, HYD
24:1:2	103-1949	1	Gasket-Cap
24:2	1-523552	1	Decal-Tank, HYD
25	103-3071-03	1	Stand-Reservoir
26	322-3	1	Screw-HH
27	321-3	2	Screw-HH
29	103-3077	1	HYD Hose ASM
30	103-2930	1	HYD Hose ASM
32	103-2889	1	Filter Head ASM
32:1	103-1912	2	Adapter-Straight
32:1:1	237-42	1	O-Ring
33	32128-20	2	Nut-HF
34	1-633752	1	Filter-HYD, Winter
34	1-633750	1	Filter-HYD
36	1-805004	2	Washer-Lock
37	103-1716	3	Clamp-Hose
38	322-5	1	Screw-HH



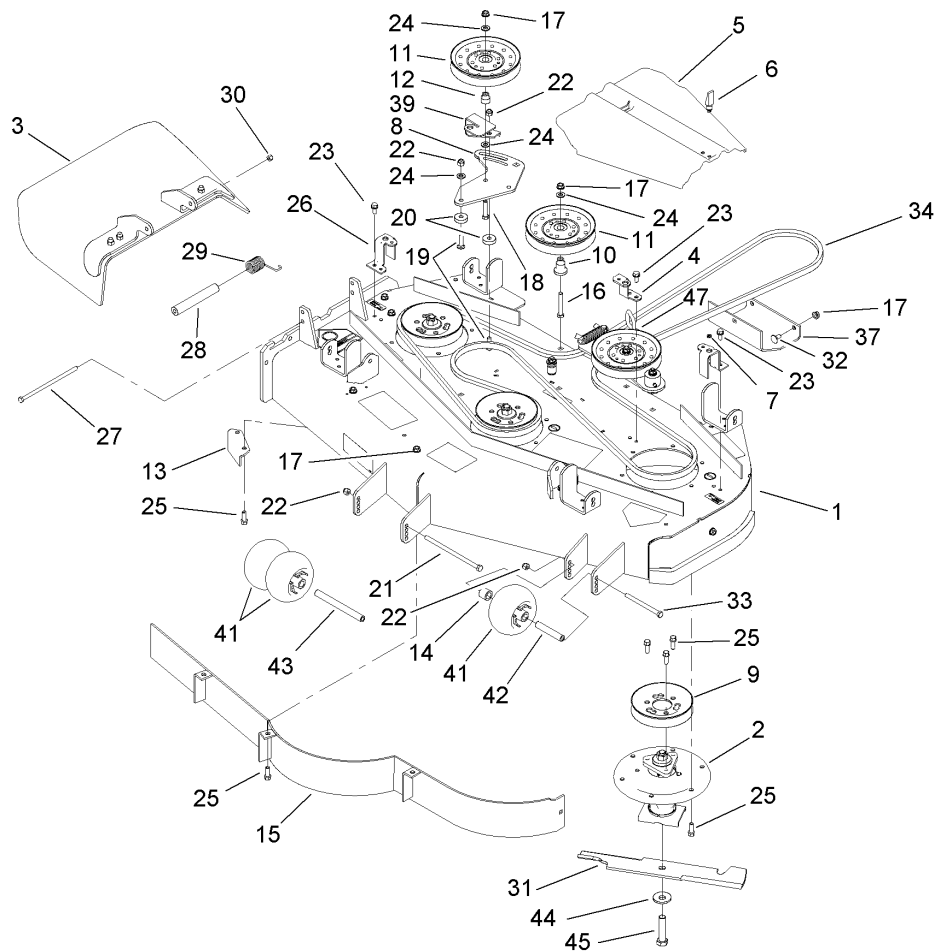
Pump Idler and Belt Assembly

Ref	Part No.	Qty.	Description
1	323-13	1	Screw-HH
2	3256-4	1	Washer-Flat
3	1-603044	1	Bushing
4	302-40	1	Fitting-Grease
5	3290-357	2	Nut-HHF, Whiz
6	103-4480	1	Spring-Extension
7	323-9	1	Screw-HH
8	63-8410	1	Washer
9	98-5975	1	Washer-Belleville
10	3296-39	1	Nut-Lock, NI
11	3256-24	1	Washer-Flat
12	1-603843	1	Pulley-Idler
14	107-3959	1	Belt-Cog
15	103-4482	1	Idler Arm ASM
15:1	103-4681	2	Sleeve-Bearing
17	3234-11	1	Screw-HHF



Engine and Clutch Assembly

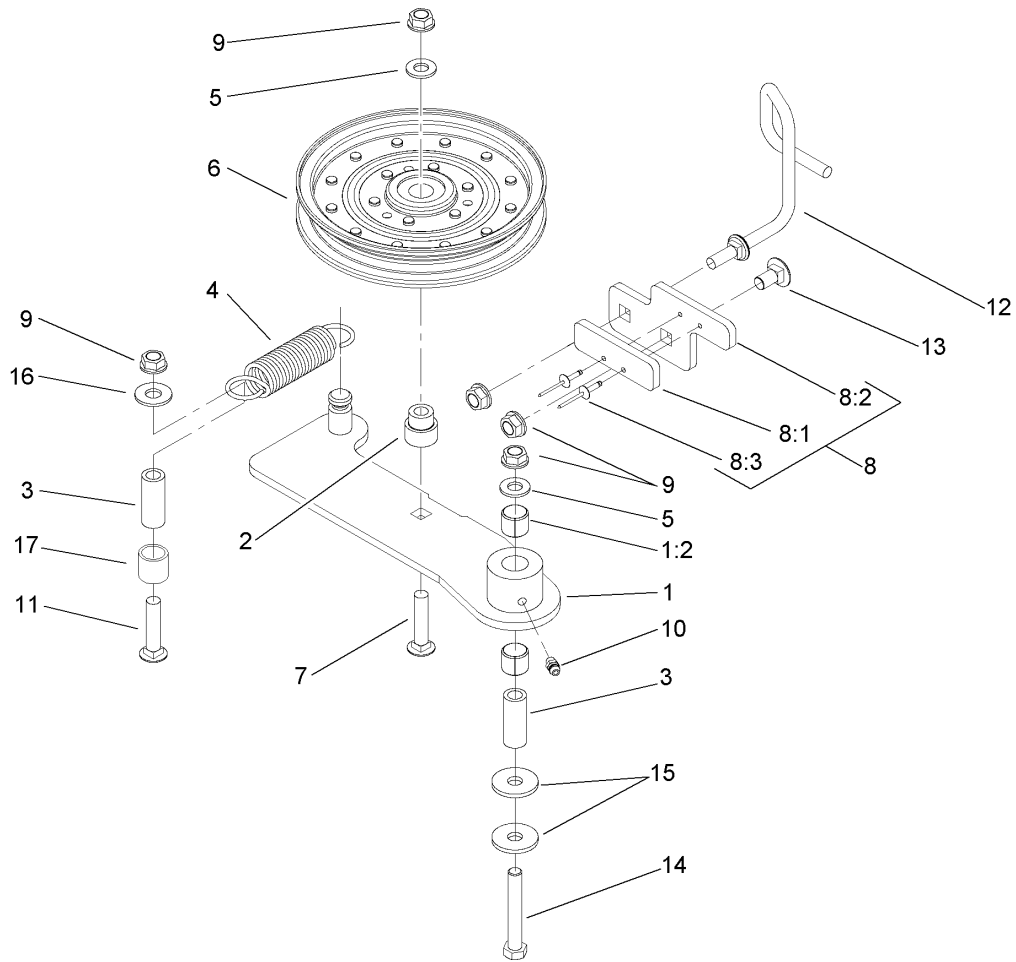
Ref	Part No.	Qty.	Description
1	1-303334	4	Washer-Spring
3	1-603610	2	Washer-Spring
8	1-653035	1	Pulley
9	1-807259	1	Key
11	109-0876	1	Oil Drain Hose ASM
13	103-2740-03	1	Deflector-Short
15	103-4048-03	1	Bumper-Rear
16	104-3624	1	Clutch
18	322-3	6	Screw-HH
21	3212-10	1	Screw-HH
22	3229-10	4	Screw-CARR
24	3256-24	6	Washer-Flat
25	32128-20	7	Nut-HF
26	32128-33	4	Nut-HF
27	33114-025	4	Screw-HH
36		1	Engine-Kohler, Cv493S-27528
49	3230-3	1	Screw-CARR
50	3256-3	1	Washer-Flat
52	108-1058	1	Rod-Belt



Deck Assembly No. 107-1667

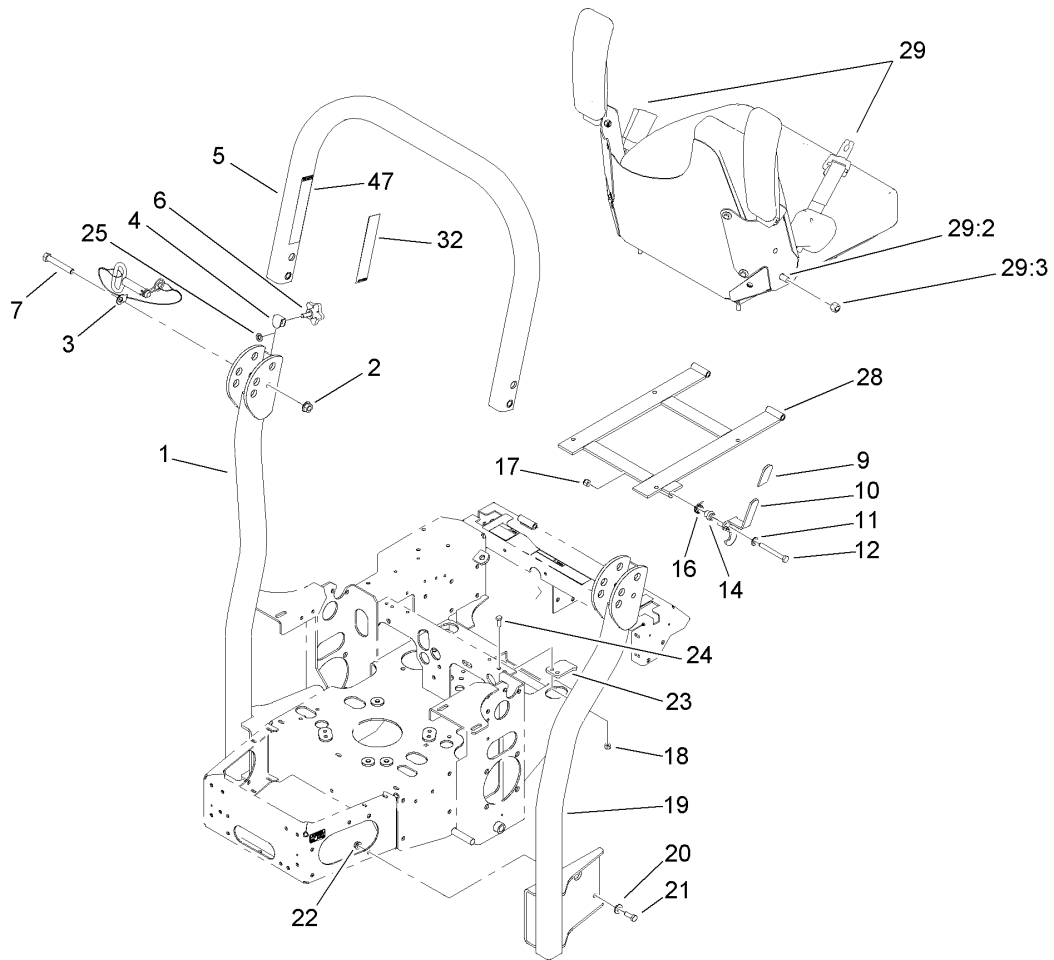
Ref	Part No.	Qty.	Description
1	107-1666	1	Deck Decal ASM
2	107-8504	3	Spindle ASM
3	108-7770	1	Rubber Deflector ASM
4	108-2177-01	1	Bracket-Cover, Tall
5	107-8536	2	Cover-Belt
6	74-5950	2	Latch-Swell
7	99-3058	2	Washer
8	107-8516-01	1	Plate-Idler
9	107-1684	3	Pulley
10	106-3214	1	Mount-Pulley
11	1-633109	2	Idler-Flat
12	1-603496	1	Bushing-Idler
13	107-8541-01	1	Baffle-Discharge
14	98-7913	1	Tube-Spacer
15	108-2187-01	1	Baffle ASM
16	323-12	1	Screw-HH
17	3290-357	32	Nut-HHF, Whiz
18	323-9	1	Screw-HH
19	3231-4	2	Screw-CARR
20	105-7788	2	Spacer
21	323-28	1	Screw-HH
22	3296-39	4	Nut-Lock, NI
23	32144-70	3	Screw-HH
24	3256-24	4	Washer-Flat

Ref	Part No.	Qty.	Description
25	92-1624	32	Screw
26	108-4121-01	2	Bracket-Cover
27	322-50	2	Screw-HH
28	105-4622	1	Spacer
29	108-4052	1	Spring-Torsion
30	3296-29	1	Nut-Lock, NI
31	107-3192-03	3	Blade-Rotary, 16.5In High Flow
32	3231-1	7	Screw-CARR
33	323-23	1	Screw-HH
34	106-7369	1	Belt-V
37	107-3166-01	1	Skid
39	108-2228-01	1	Bracket-Cover
41	1-603299	3	Roller-Scalp, Anti
42	98-7912	1	Tube-Spinner
43	98-5967	1	Spacer-Wheel
44	103-0865	3	Washer-Blade Bolt, Heavy
45	103-0862	3	Screw-Cap
47		1	Spring Idler ASM



Idler Assembly

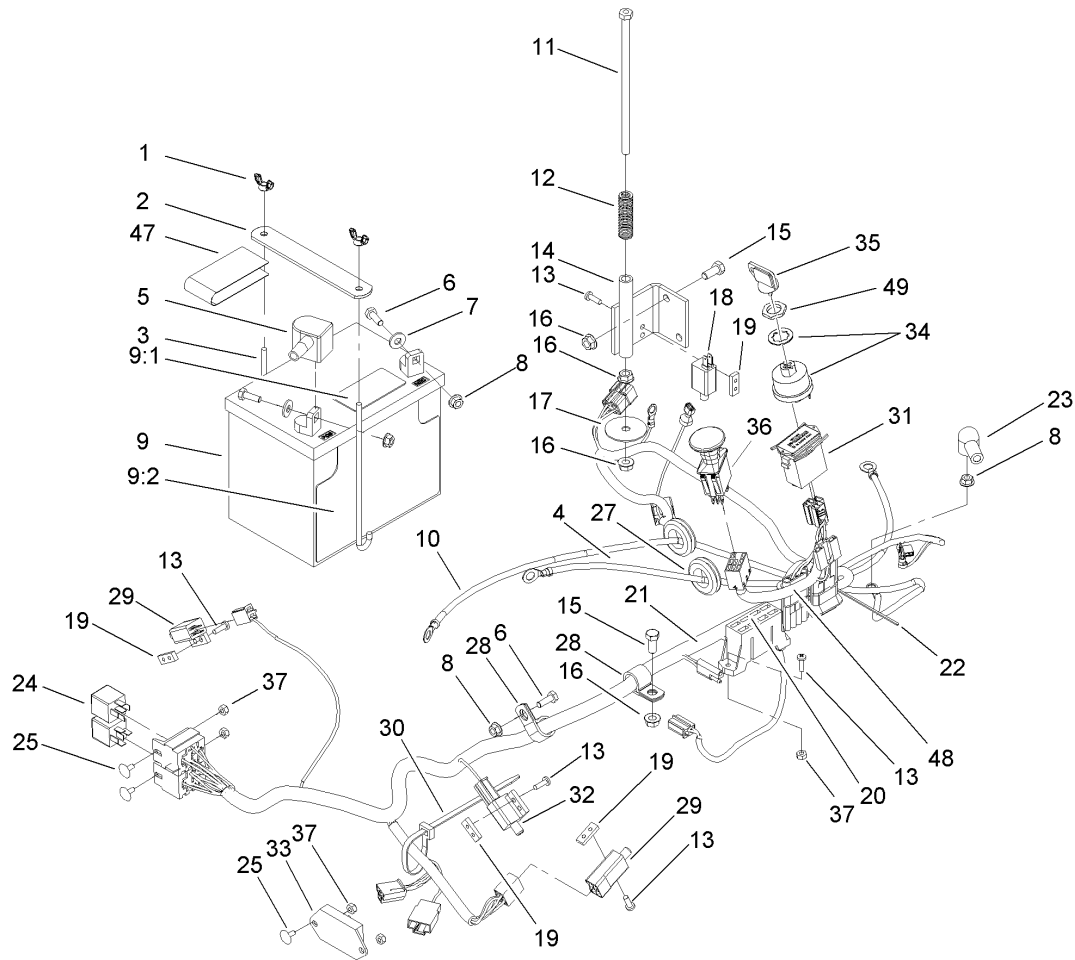
Ref	Part No.	Qty.	Description
1	108-4062	1	Idler Arm ASM
1:2	103-4681	2	Sleeve-Bearing
2	1-603496	1	Bushing-Idler
3	1-603044	2	Bushing
4	108-4056	1	Spring-Extension
5	3256-24	2	Washer-Flat
6	1-633109	1	Idler-Flat
7	3231-6	1	Screw-CARR
8		1	Stop Pad ASM
8:1	106-3229	1	Pad-Bumper
8:2	107-1697-01	1	Plate-Stop
8:3	3269-24	2	Rivet
9	3290-357	5	Nut-HHF, Whiz
10	302-5	1	Fitting-Grease
11	3231-31	1	Screw-CARR
12	108-4072	1	Guide-Belt
13	3231-1	1	Screw-CARR
14	323-12	1	Screw-HH
15	2844	2	Washer
16	3256-4	1	Washer-Flat
17	108-4063	1	Spacer-Rubber



Roll-Over-Protection-System Assembly No. 107-8093

Ref	Part No.	Qty.	Description
②1		1	LH Tube Support ASM
2	32128-23	2	Nut-HF
3	103-4553	2	ROPS Fold Pin ASM
4	107-3124	2	Clip
②5		1	Upper Tube ASM
6	106-0887	2	Knob
7	325-13	2	Screw-HH
9	103-4434	1	Grip-Lever
10	107-3083	1	Latch ASM
11	3256-24	1	Washer-Flat
12	323-20	1	Screw-HH
14	107-0075	1	Bushing-Latch, Seat
16	107-0076	1	Spring-Torsion
17	3296-39	1	Nut-Lock, NI
18	3296-29	2	Nut-Lock, NI
②19		1	RH Tube Support ASM
20	98-5975	8	Washer-Belleville
21	323-6	8	Screw-HH
22	3290-357	8	Nut-HHF, Whiz
23	107-3059	1	Catch-Latch, Seat
24	322-4	2	Screw-HH
25	107-3154	2	Nut-Push
28	107-3052-03	1	Seat Support Frame ASM
29	110-0883	1	Retractable Seatbelt Kit

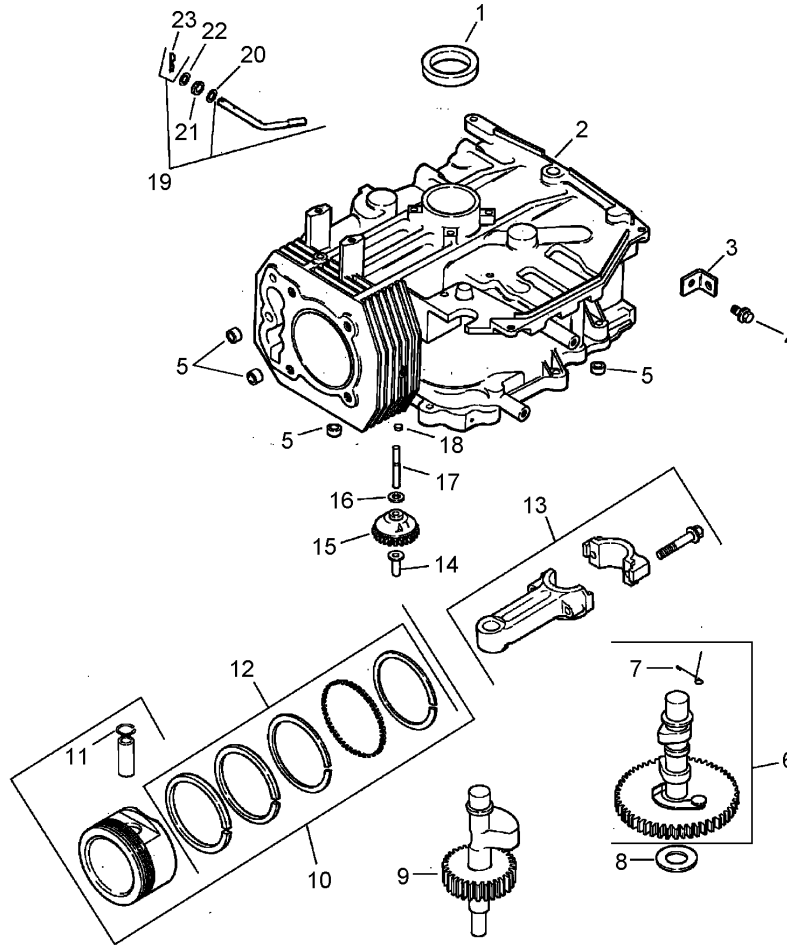
Ref	Part No.	Qty.	Description
29:2	3212-4	2	Screw-HH
29:3	3296-7	2	Nut-Lock
32	107-3069	1	Decal-Warning, Folding ROPS (Ce)
47	107-2102	1	Decal-Warning, Folding ROPS



Electrical System Assembly

Ref	Part No.	Qty.	Description
1	1-543792	2	Wingnut
2	107-9277-03	1	Strap-Holddown, Battery
3	1-633651	2	Bolt-Holddown
4	1-543767	1	Wire-Ground
5	1-543391	1	Insulator-Battery
6	321-4	3	Screw-HH
7	3256-2	2	Washer-Flat
8	32128-33	3	Nut-HF
9	105-1692	1	Battery
9:1	104-4163	1	Decal-Battery
9:2	104-4164	1	Decal-Battery
10	1-523281	1	Wire-Starter
11	1-800282	1	Screw-HH
12	1-523415	1	Spring-Switch, Seat
13	1-803075	10	Screw-Head, Truss
14	1-652072-03	1	Bracket-Switch, Seat
15	322-3	3	Screw-HH
16	32128-20	5	Nut-HF
17	1-653036	1	Washer
18	1-513152	1	Switch-Closed, Normally
19	1-633181	4	Plate-Tapped
20	1-816001	2	Fuse-Blade Type, 20 Amp
21	107-8053	1	Harness-Electrical
22	1-303287	3	Tie-Plastic

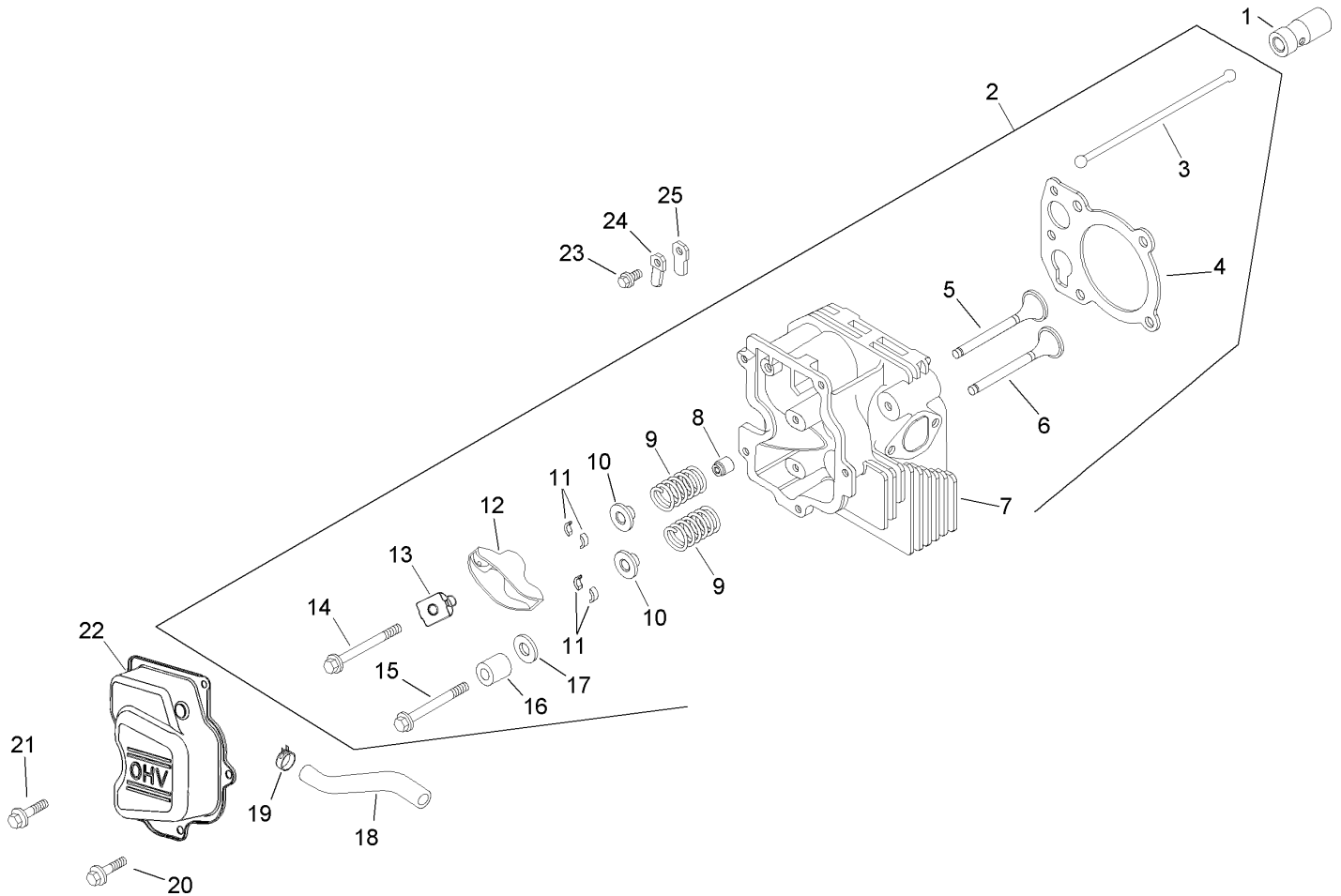
Ref	Part No.	Qty.	Description
23	1-543393	1	Insulator-Solenoid
24	1-643275	2	Relay
25	1-807513	4	Bolt-CARR
27	1-543286	2	Grommet
28	1-633396	2	Clip-Loom
29	1-513051	2	Switch-Open, Normally
30	1-303335	4	Tie-Plastic
31	1-513374	1	Meter-Hour
32	1-633111	1	Switch
33	100-6186	1	Module-Delay, Seat
34	103-0206	1	Switch-Starting, Key
35	63-8360	2	Key-Ignition
36	103-5221	1	Switch-PTO
37	3296-2	6	Nut-Lock
47	107-9309	1	Decal-Instructions, Charging
48	107-8054	1	Harness-Electrical, Control Panel
49	103-0498	1	Nut-Switch, Ignition



Crankcase Assembly Kohler CV493S 27528

Ref	Part No.	Qty.	Description
1	12 032 03-S	1	Seal-Oil
2		1	Crankcase (Use Short Block Or Miniblock)
3	12 445 02-S	1	Strap-Lifting
4	M-839025-S	1	Screw-HF (M8X1.25X25)
5	24 380 13-S	4	Pin-Locating
6	12 010 30-S	1	Camshaft ASM (Incl. Ref. No. 7)
7	12 089 37-S	1	Spring-Actuating
8	12 422 08-S	1	Shim-Camshaft, Blue
8	12 422 09-S	1	Shim-Camshaft, Red
8	12 422 10-S	1	Shim-Camshaft, Yellow
8	12 422 11-S	1	Shim-Camshaft, Green
8	12 422 12-S	1	Shim-Camshaft, Gray
8	12 422 13-S	1	Shim-Camshaft, Black
8	12 422 07-S	1	Shim-Camshaft, White
9	12 144 28-S	1	Shaft-Balance
10	12 874 07-S	1	Piston W/Ring Set (STD) (Incl. Ref. No. 11 And 12)
10	12 874 11-S	1	Piston W/Ring Set (.08)
10	12 874 08-S	1	Piston W/Ring Set (.25)
10	12 874 09-S	1	Piston W/Ring Set (.50)
11	12 018 02-S	2	Retainer-Pin, Piston
12	12 108 07-S	2	Ring Set (STD. And .08)
12	12 108 08-S	2	Ring Set (.25)

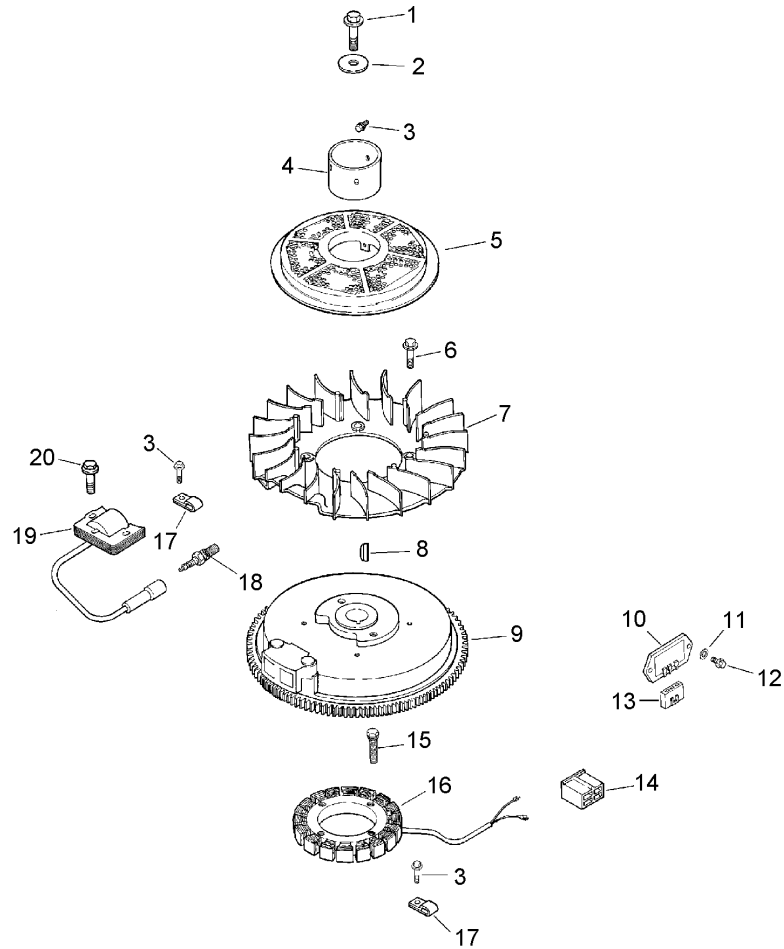
Ref	Part No.	Qty.	Description
12	12 108 09-S	2	Ring Set (.50)
13	12 067 11-S	1	Rod-Connecting (STD)
13	12 067 12-S	1	Rod-Connecting (.25)
14	12 380 01-S	1	Pin-Regulating, Governor
15	12 043 05-S	1	Gear-Governor
16	M-631005-S	1	Washer-Plain (6Mm)
17	12 144 02-S	1	Shaft-Gear, Governor
18	52 139 09-S	1	Plug-Cup
19	12 755 64-S	1	Governor Cross Shaft Kit (Incl. Ref. No. 23)
20	X-25-102-S	1	Washer-Plain (1/4In)
21	12 032 01-S	1	Seal-Cross Shaft, Governor
22	M-631015-S	1	Washer-Plain (6Mm)
23	12 154 05-S	1	Clip-Pin, Hitch



Head/Valve/Breather Assembly Kohler CV493S 27528

Ref	Part No.	Qty.	Description
❶	25 351 01-S	2	Lifter-Valve
❷	12 755 101-S	1	Cylinder Head Kit (Incl. Ref. No. 3-17)
❸	12 411 05-S	2	Rod-Push
❹	12 041 10-S	1	Gasket-Head, Cylinder
❺	12 017 01-S	1	Valve-Intake (STD)
❻	12 016 01-S	1	Valve-Exhaust (STD)
❼	12 318 51-S	1	Head-Cylinder
❽	66 032 05-S	2	Seal-Stem, Valve
❾	12 089 34-S	2	Spring-Valve
❿	12 173 01-S	2	Cap-Spring, Valve
⓫	12 755 03-S	1	Retainer Kit
⓬	25 186 01-S	2	Arm-Rocker
⓭	12 599 03-S	2	Pivot-Arm, Rocker
⓮	M-645016-S	3	Screw-HF (M6X1.0X16)
⓯	M-640034-S	2	Screw-HF (M6X1.0X34)
⓰	12 112 16-S	2	Spacer
⓱	12 468 05-S	1	Washer-Plain (13/32In)
⓲	12 326 18-S	1	Hose-Breather
⓳	25 237 14-S	1	Clamp
⓴	20 086 02-S	4	Screw-HF (M10X1.5X81)
⓵	12 086 16-S	1	Screw-HF, Reduced
⓶	12 096 47-S	1	Cover-Valve
⓷	M-545010-S	1	Screw-HF (M5X0.8X10)

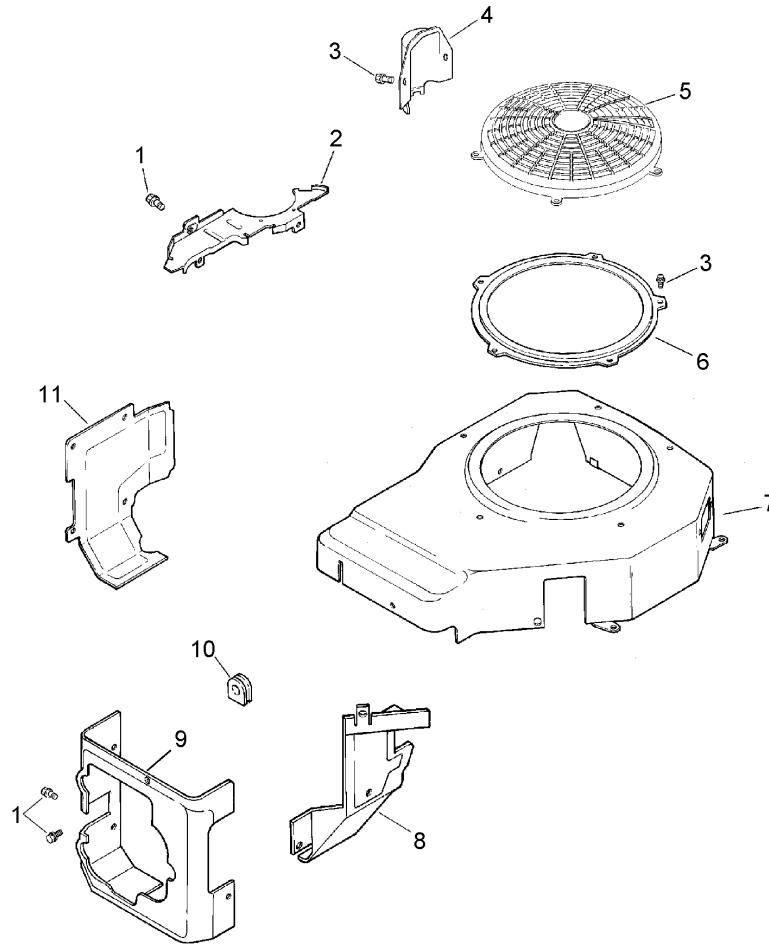
Ref	Part No.	Qty.	Description
❷❹	66 018 04-S	1	Retainer-Reed, Breather
❷❺	12 402 02-S	1	Reed-Breather
⓫❶	12 017 02-S	1	Valve-Intake (.25)
⓫❷	12 016 02-S	1	Valve-Exhaust (.25)
⓫❸	12 041 01-S	2	Gasket-Carburetor
⓫❹	12 041 02-S	1	Gasket-Cleaner, Air
⓫❺	12 041 03-S	1	Gasket-Manifold, Exhaust



Ignition/Electrical Assembly Kohler CV493S 27528

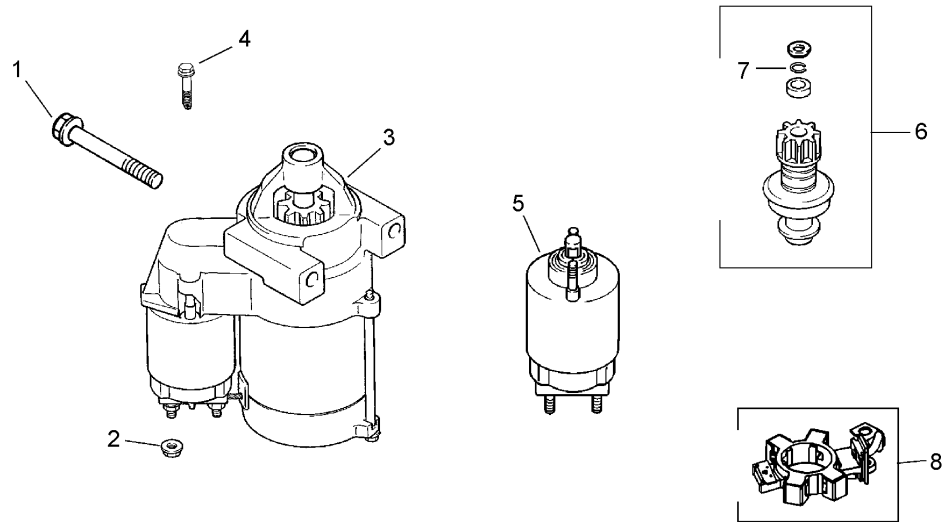
Ref	Part No.	Qty.	Description
1	12 086 14-S	1	Screw-HF (M10X1.5X46)
2	12 468 03-S	1	Washer-Plain (3/8In)
3	M-545010-S	5	Screw-HF (M5X0.8X10)
4	12 109 03-S	1	Cup-Mounting, Screen
5	12 162 09-S	1	Screen-Grass
6	25 086 47-S	4	Bolt-Shoulder (M6X1.0X16)
7	12 157 03-S	1	Fan
8	X-42-15-S	1	Key
9	12 025 56-S	1	Flywheel
10	41 403 09-S	1	Rectifier-Regulator
11	X-25-5-S	1	Washer-Steel
12	M-639016-S	1	Screw-HF (M6X1.0X16)
13	236602-S	1	Connector
14	41 155 02-S	1	Connector (5 Contact)
15	M-548025-S	2	Screw (M5X0.8X25)
16	237878-S	1	Stator Kit (Includes Terminal 25 452 01-S)
17	X-728-1-S	2	Clip
18	12 132 02-S	1	Spark Plug
19	12 584 04-S	1	Module-Ignition
20	M-545020-S	2	Screw-HF (M5X0.8X20)
15	12 126 96-S	1	Bracket-Strap, Ground
15	25 452 01-S	1	Terminal
15	25 518 05-S	1	Lead

Ref	Part No.	Qty.	Description
15	12 518 01-S	1	Lead



Blower Housing and Baffle Assembly Kohler CV493S 27528

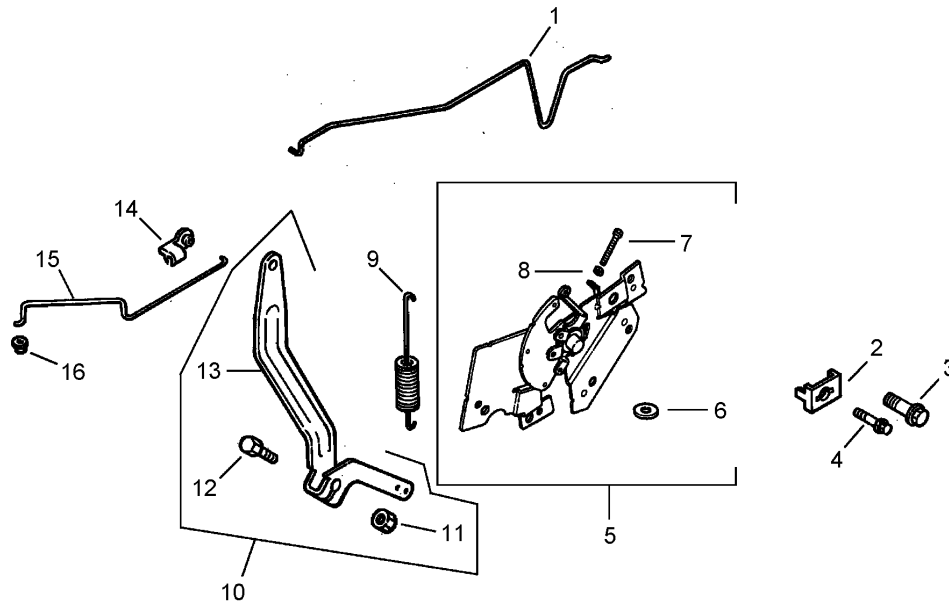
Ref	Part No.	Qty.	Description				
1	M-545010-S	6	Screw-HF (M5X0.8X10)				
2	12 146 07-S	1	Plate-Housing, Blower				
3	M-550010-S	11	Screw-HF (M5X0.8X10)				
4	12 096 33-S	1	Cover-Starter				
5	12 314 07-S	1	Guard-Stylized				
6	12 314 10-S	1	Guard-Screen, Grass				
7	12 027 53-S	1	Housing-Blower				
8	12 063 18-S	1	Baffle (Intake Side)				
9	12 063 20-S	1	Baffle (Cylinder Head)				
10	12 313 03-S	1	Grommet-Spark Plug				
11	12 063 19-S	1	Baffle-Cylinder				
15	M-545016-S	1	Screw-HF (M5X0.8X16)				
16	M-561016-S	1	Screw				
18	24 113 18-S	1	Decal-Screen, Grass				
19	12 113 125-S	1	Decal-18Hp				
20	25 113 39-S	1	Decal-Lamination, Clear				



Starting System Assembly Kohler CV493S 27528

Ref	Part No.	Qty.	Description
❶	M-839080-S	2	Screw-HF (M8X1.25X80)
❷	M-841080-S	1	Nut-HF (M8X1.25)
❸	25 098 09-S	1	Starter ASM (Incl. Ref. No. 4-8)
❹	25 086 113-S	3	Screw-Torx Head, External
❺	25 435 05-S	1	Solenoid Kit (Incl. Ref. No. 4)
❻	25 755 33-S	1	Pinion Drive Kit (Incl. Ref. No. 7)
❼	25 141 05-S	1	Ring
❽	25 221 01-S	1	Brush Kit

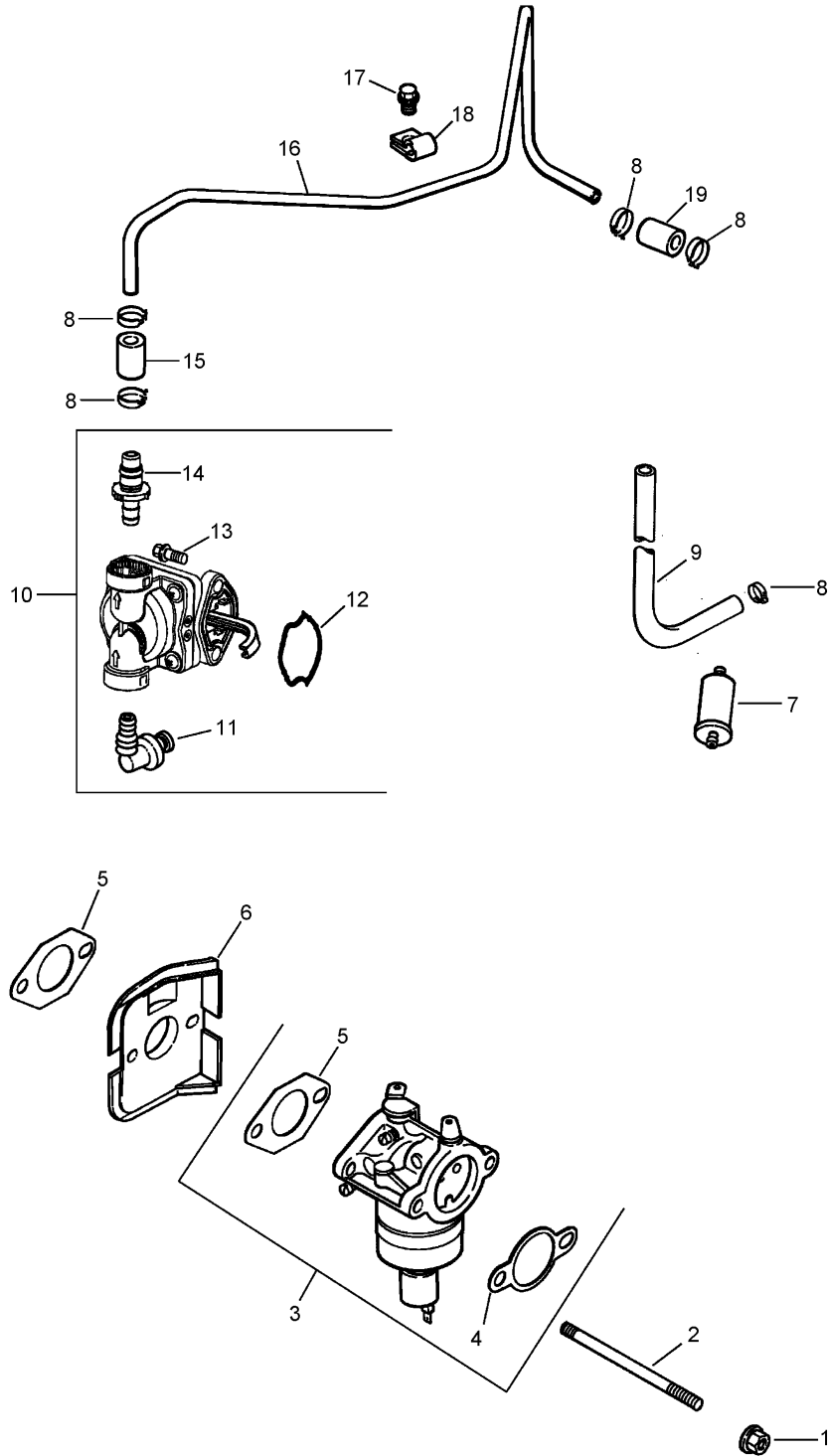
--	--	--	--



Engine Control Assembly Kohler CV493S 27528

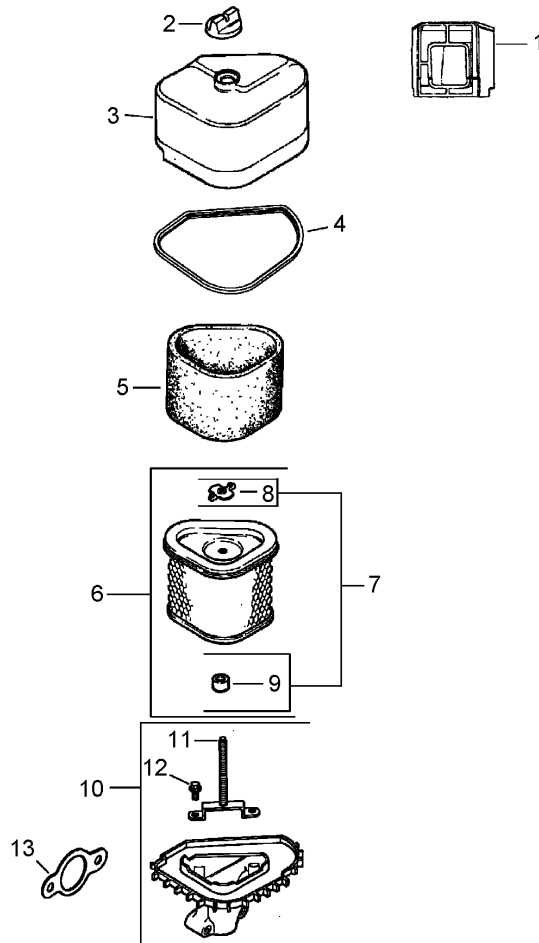
Ref	Part No.	Qty.	Description
❶	12 079 11-S	1	Linkage-Choke
❷	12 237 01-S	2	Clamp-Cable
❸	M-545016-S	2	Screw-HF (M5X0.8X16)
❹	M-664020-S	2	Screw-Socket, Lobed (M6X1.0X20)
❺	12 536 02-S	1	Speed Control ASM (Incl. Ref. No. 6-8)
❻	230293-S	1	Spacer-Shim
❼	M-401030-S	1	Screw (M4X0.7X30)
❸	M-446030-S	1	Nut-HF (M4X0.7)
❹	52 089 07-S	1	Spring-Governor
❺	12 755 83-S	1	Governor Lever Kit (Incl. Ref. No. 11-13)
❻	12 100 07-S	1	Nut-HF
❼	52 211 04-S	1	Screw
❸	12 090 28-S	1	Lever-Governor
❹	25 158 11-S	1	Bushing-Retaining, Linkage
❺	12 079 10-S	1	Linkage-Throttle
❻	25 158 08-S	1	Bushing-Retaining, Linkage

Fuel System Assembly Kohler CV493S 27528



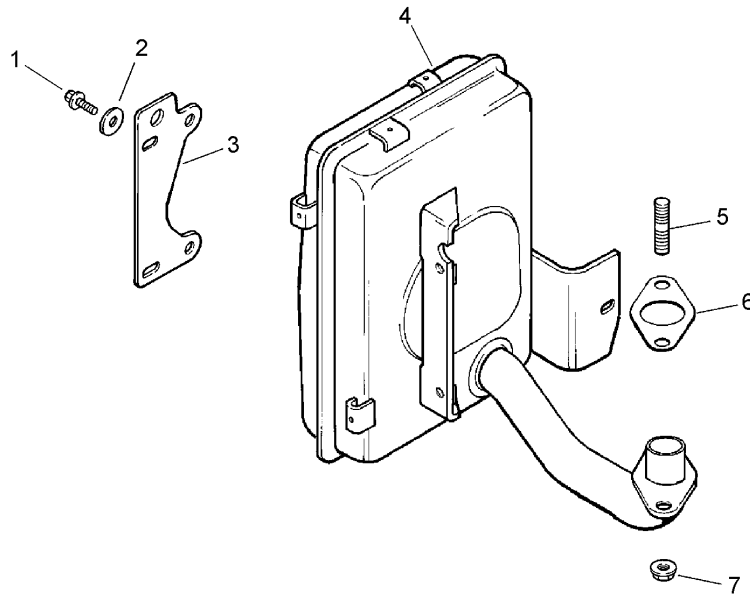
Fuel System Assembly Kohler CV493S 27528

Ref	Part No.	Qty.	Description				
③1	M-641060-S	2	Nut-HF				
③2	M-629116-S	2	Stud (M6X1.0X116)				
③3	12 853 149-S	1	Carburetor Kit (Incl. Ref. No. 4, 5, [qty. 1], Tie 12 454 03-S, And Terminal 25 452 20-S)				
③4	12 041 02-S	1	Gasket-Cleaner, Air				
③5	12 041 01-S	2	Gasket-Carburetor				
③6	12 265 06-S	1	Deflector-Heat				
③7	25 050 08-S	1	Filter-Fuel				
③8	25 237 14-S	6	Clamp				
③9	52 353 18-S	1	Line-Fuel, 8In				
③10	12 559 02-S	1	Fuel Pump Kit (Incl. Ref. No. 11- 14)				
③11	12 294 13-S	1	Fitting-90 DEG				
③12	25 153 04-S	1	O-Ring (Fuel Pump)				
③13	M-664020-S	2	Screw-Socket, Lobed (M6X1.0X20)				
③14	24 294 09-S	1	Fitting-Straight				
③15	12 353 01-S	1	Line-Fuel (1-1/4In)				
③16	12 123 19-S	1	Line-Fuel. Metal				
③17	M-545010-S	1	Screw-HF (M5X0.8X10)				
③18	12 154 01-S	1	Clamp-Line, Fuel				
③19	41 353 18-S	1	Line-Fuel (2-1/2In)				
①⑤	12 757 02-S	1	Float Kit				
①⑤	12 757 03-S	1	Carburetor Repair Kit				
①⑤	12 757 36-S	1	Throttle Shaft Bearing Kit				
①⑤	12 757 37-S	1	Bowl Replacement Kit				



Air Intake/Filtration Assembly Kohler CV493S 27528

Ref	Part No.	Qty.	Description				
1	12 281 02-S	1	Duct-Air				
2	20 341 01-S	1	Knob-Cover				
3	12 096 44-S	1	Cover-Cleaner, Air				
4	12 032 14-S	1	Seal				
5	12 083 12-S	1	Element-Precleaner				
6	12 083 10-S	1	Element-Cleaner, Air (Incl. Ref. No. 8 And 9)				
7	12 743 12-S	1	Air Cleaner Kit (Incl. Ref. No. 8 And 9)				
8	12 100 01-S	1	Nut-Wing				
9	12 032 11-S	1	Seal				
10	12 094 13-S	1	Base-Cleaner, Air (Incl. Ref. No.11 And 12)				
11	12 072 04-S	1	Stud				
12	12 086 01-S	2	Screw				
13	12 041 02-S	2	Gasket-Cleaner, Air				
13	12-113-04-S	1	Decal-Cleaner, Air				



Exhaust Assembly Kohler CV493S 27528

Ref	Part No.	Qty.	Description
①	M-645025-S	2	Screw-HF (M6X1.0X25)
②	12 112 20-S	2	Spacer
③	12 126 71-S	1	Bracket-Muffler
④	12 068 54-S	1	Muffler
⑤	25 072 04-S	2	Stud (M8X1.25X33)
⑥	12 041 03-S	2	Gasket-Manifold, Exhaust
⑦	M-841080-S	2	Nut-HF (M8X1.25)
①⑤	M-545010-S	1	Screw-HF (M5X0.8X10)
①⑥	M-645016-S	2	Screw-HF (M6X1.0X16)
①⑦	12 265 07-S	1	Deflector-Exhaust
①⑧	M-545010-S	4	Screw-HF (M5X0.8X10)
①⑨	12 755 93-S	1	Gasket Set

Attachments and Accessories

For 74412 - Z400 Z Master, With 48in 7-Gauge Side Discharge Mower

Product Name	Model/Part
Toro Z-Stand	105-1621
Striping Kit	106-3370
Deck Lift Assist Kit	106-9749
Deluxe Suspension Seat	107-1891
Suspension Kit for Standard Seat	107-1892
Blade-Low Flow, 16.5 Inch	107-3193-03
Blade-Mid Flow, 16.5 Inch	107-3194-03
Blade-Atomic, 16.5 Inch	107-3195-03
Blade-Recycling, 16.5 Inch	107-3196-03
Z Stand Kit	107-8599
Bagging Enhancement Kit	108-4091
Blade-Hi Flow, 16.5 Inch (6 Pack)	110-0414
Blade-Lo Flow, 16.5 Inch (6 Pack)	110-0415
Blade-Recycler, 16.5 Inch (6 Pack)	110-0416
Blade-Atomic, 16.5 Inch (6 Pack)	110-0417
Blade-Mid Flow, 16.5 Inch (6 Pack)	110-0418
Hitch Kit	99-8924

NOTES

NOTES

NOTES

