



## Power Max 828LE Snowthrower

Model No. 38635 - 260000001 and up.

### Parts Catalog

---

#### Ordering Replacement Parts

To order replacement parts, please supply the part number, the quantity, and the description of each part desired.

#### Understanding Reference Numbers

Each identified part in an illustration has a reference number. The reference number for a part also appears in the parts list, along with other information about the part.

This catalog uses two special reference number formats, one to indicate parts in a service assembly and another to indicate the quantity of a given part in an illustration.

#### Service Assembly Reference Numbers

Parts in service assemblies have reference numbers in the form a:b. The a represents the reference number of the entire service assembly and the b represents a sequential number unique to each part within the service assembly.

For example, a wheel assembly might be identified by reference number 6, the tire by 6:1, the valve by 6:2, and the wheel by 6:3. When you order the assembly identified by reference number 6, you receive all parts identified by reference numbers 6:1, 6:2, and 6:3. However, you may also order any part individually. Reference numbers of this type appear in illustrations and in part lists.

#### Reference Numbers Indicating Quantity

In an illustration, if a reference number indicates more than one part, the reference number has the form nX y. The n represents the quantity of the part, the X is the multiplication symbol, and the y represents the reference number.

For example, in an illustration, the reference number 2X 37 means that two of the parts identified by reference number 37 are indicated.

# Contents

Description	Page	Description	Page
Auger and Housing Assembly	..... 3	Carburetor Assembly Tecumseh LH318SA-156564H	..... 13
28in Auger Gearcase Assembly No. 108-7329	..... 4	Engine Assembly Tecumseh LH318SA-156564H	..... 14
Chute Assembly	..... 5	Engine Assembly (continued) Tecumseh LH318SA-156564H	..... 16
Chain Drive Assembly	..... 6	Electric Starter Assembly Tecumseh LH318SA-156564H	..... 18
Control Panel Assembly	..... 7	Recoil Starter Assembly Tecumseh LH318SA-156564H	..... 19
Frame Assembly	..... 8	Recoil Starter Assembly (Optional) Tecumseh LH318SA-156564H	..... 20
Handle, Headlamp and Control Assembly	..... 10	Attachments and Accessories List	..... 21
Lever Chute Control Assembly	..... 11		
Engine Assembly	..... 12		

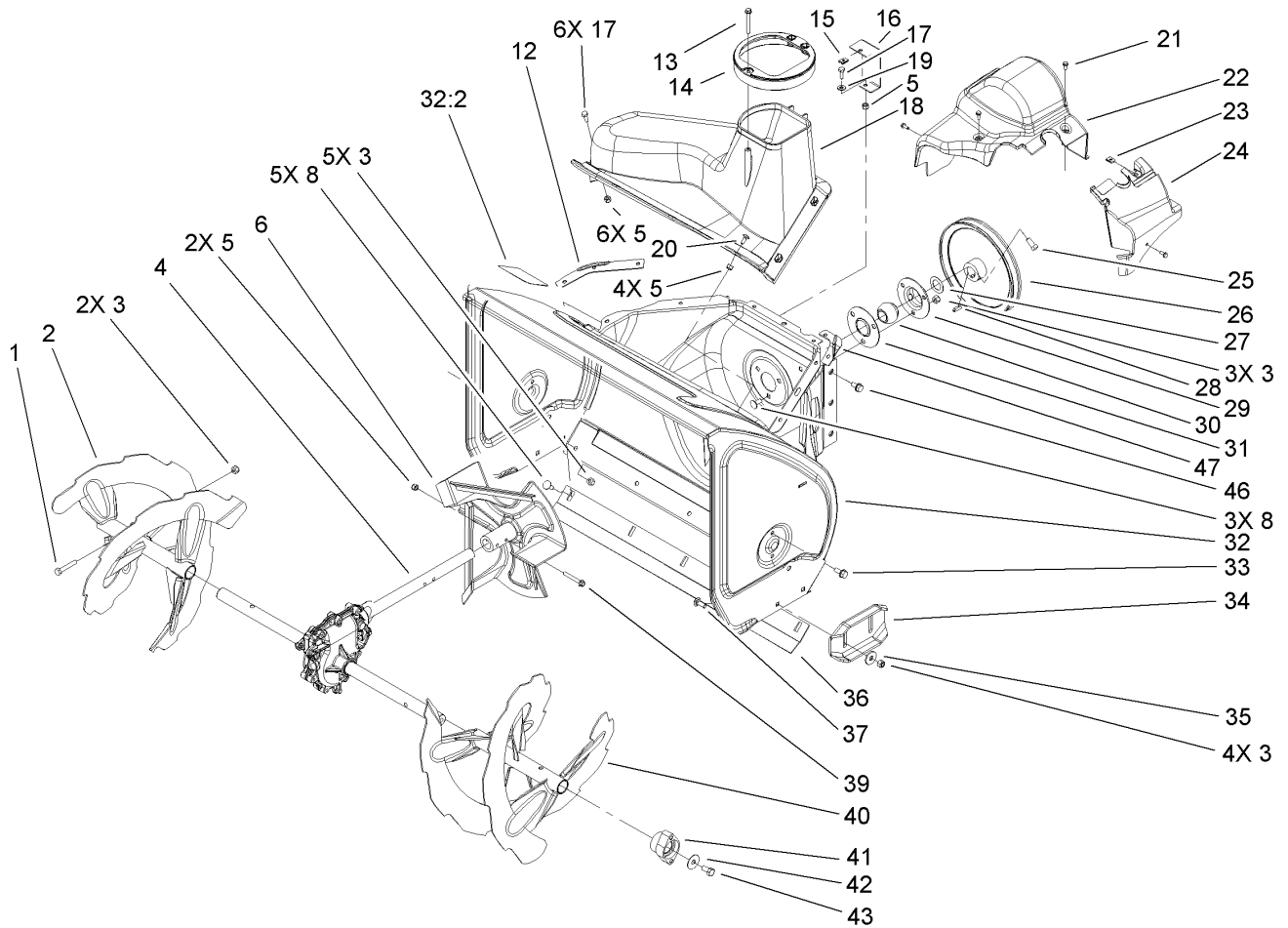
## Part Description Abbreviations

Part descriptions in this catalog may include the following abbreviations.

AR. .... as required	INC. .... incorporated
ASM. .... assembly	LH. .... left hand
BBC. .... blade brake clutch	NI. .... nylon insert
CARR. .... carriage	NPTF. .... national pipe thread fine
DEG. .... degrees	PFH. .... phillips flat head
EXT. .... external	PPH. .... phillips pan head
FH. .... flat head	PPHTF. .... phillips pan head thread forming
GA. .... gauge	PRH. .... phillips round head
HF. .... hex flange	PTH. .... phillips truss head
HH. .... hex head	PTO. .... power-take-off
HHF. .... hex head flange	RH. .... right hand
HHFTF. .... hex head flange thread forming	ROPS. .... roll-over-protection-system
HJ. .... hex jam	SFH. .... slotted fillister head
HLH. .... hex lag head	SHH. .... slotted hex head
HOC. .... height-of-cut	SHWH. .... slotted hex washer head
HSBH. .... hex socket button head	SPH. .... slotted pan head
HSFH. .... hex socket flat head	SQH. .... square head
HSH. .... hex socket head	SRH. .... slotted round head
HWH. .... hex washer head	STD. .... standard
HWHTF. .... hex washer head thread forming	TAP. .... self tapping
HYD. .... hydraulic	TTH. .... torx truss head

## Footnotes

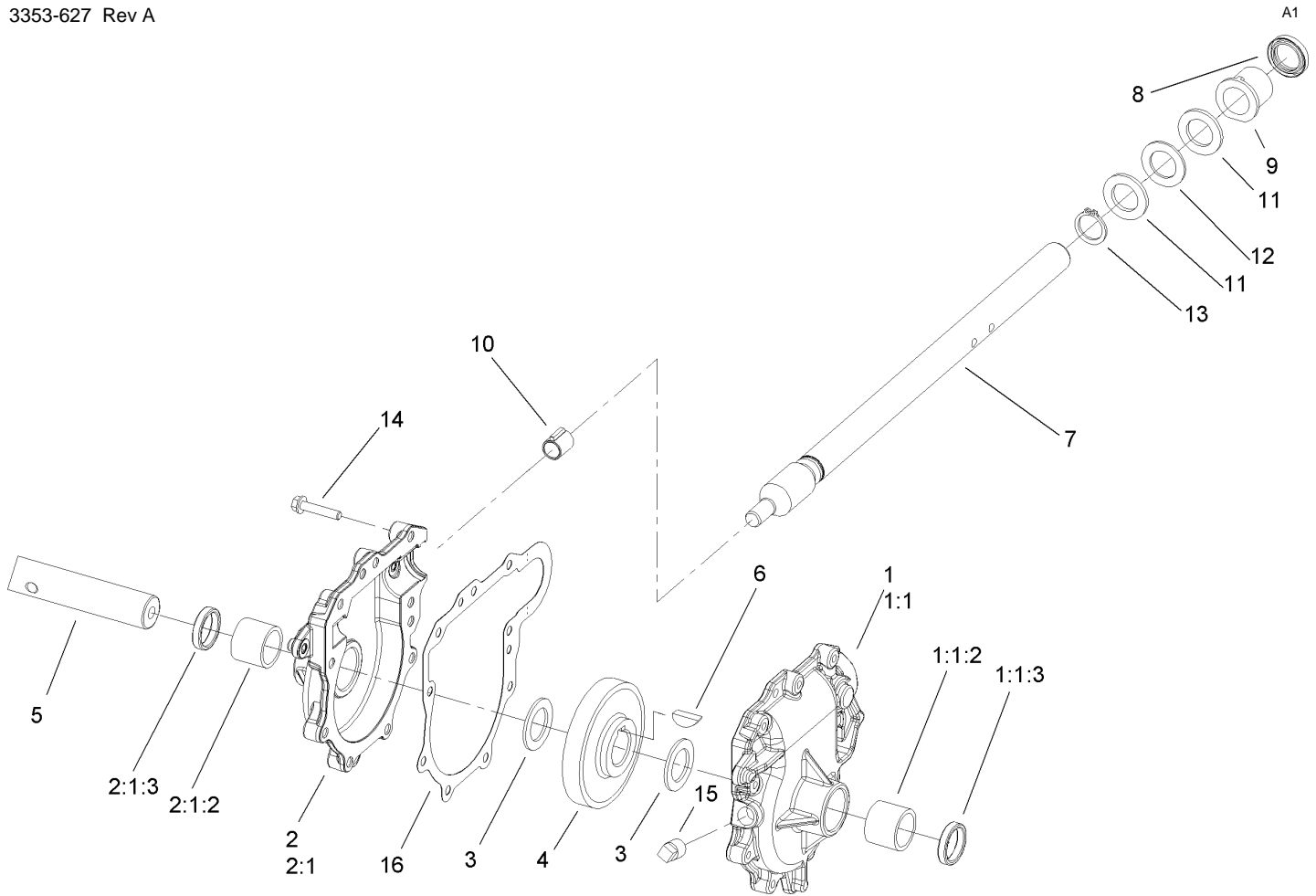
- ❶ Not illustrated
- ❷ Not serviced separately
- ❸ Obtain from your local Tecumseh dealer



## Auger and Housing Assembly

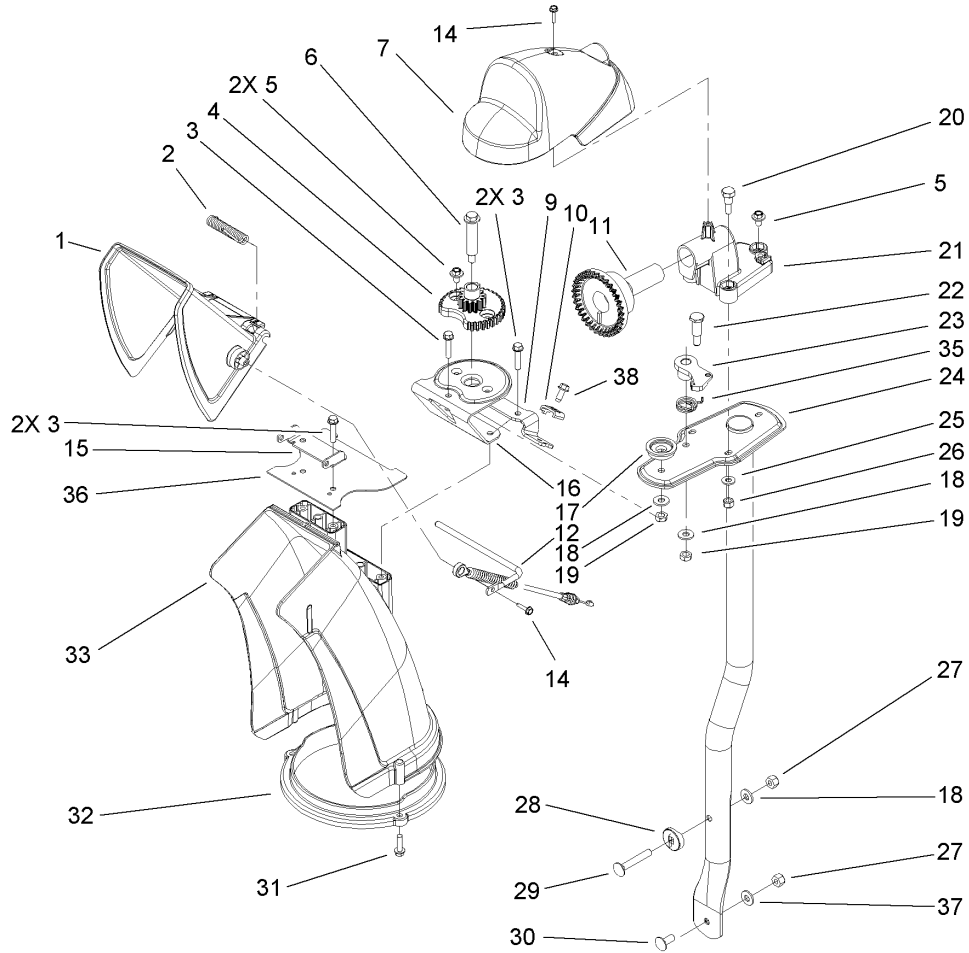
Ref	Part No.	Qty.	Description
1	322-21	2	Screw-HH
2	106-7291-03	1	Auger-RH
3	3296-29	14	Nut-Lock, NI
4	108-7329	1	Auger Gearcase ASM
5	3296-42	13	Nut-Lock, NI
6	106-4576-03	1	Impeller ASM
8	3230-23	8	Screw-CARR
12	107-1017-03	1	Seal-Flange, Cover
13	107-3003	1	Screw-Plastite
14	107-3006	1	Guide-Chute
15	107-1013	1	Nut-Speed, U-Type
16	107-1014-03	1	Bracket-Cover, Clip Nut
17	321-4	7	Screw-HH
18	108-0017	1	Cover
19	3256-22	1	Washer-Flat
20	3229-1	4	Screw-CARR
21	32144-112	4	Screw-HWH
22	107-1001	1	Cover-Belt
23	701493	1	Nut-Speed
24	107-1016	1	Cover-Extension, Belt
25	3242-4	2	Screw-Set, SQH
26	62-1300	1	Pulley-Impeller
27	252-80	1	Washer-Thrust
28	3257-23	1	Key-Woodruff

Ref	Part No.	Qty.	Description
29	26-6110	1	Flange-Cup, Bearing
30	63-3450	1	Bearing-Ball
31	26-6120	1	Flange-Cup, Bearing
32	107-3824	1	Auger Housing ASM
32:2	107-3040	1	Decal-Danger, Auger
33	32144-70	4	Screw-HH
34	106-4588-01	2	Skid
35	52-2861	4	Washer
36	106-4573-01	1	Scraper-Fixed
37	3230-16	4	Screw-CARR
39	321-44	2	Screw-HHF
40	106-7301-03	1	LH Auger ASM
41	106-4570	2	Auger-Bearing
42	3-0750	2	Washer
43	323-4	2	Screw-HH
46	32144-14	6	Screw-HWH
47	108-0039-03	1	Seal



## 28in Auger Gearcase Assembly No. 108-7329

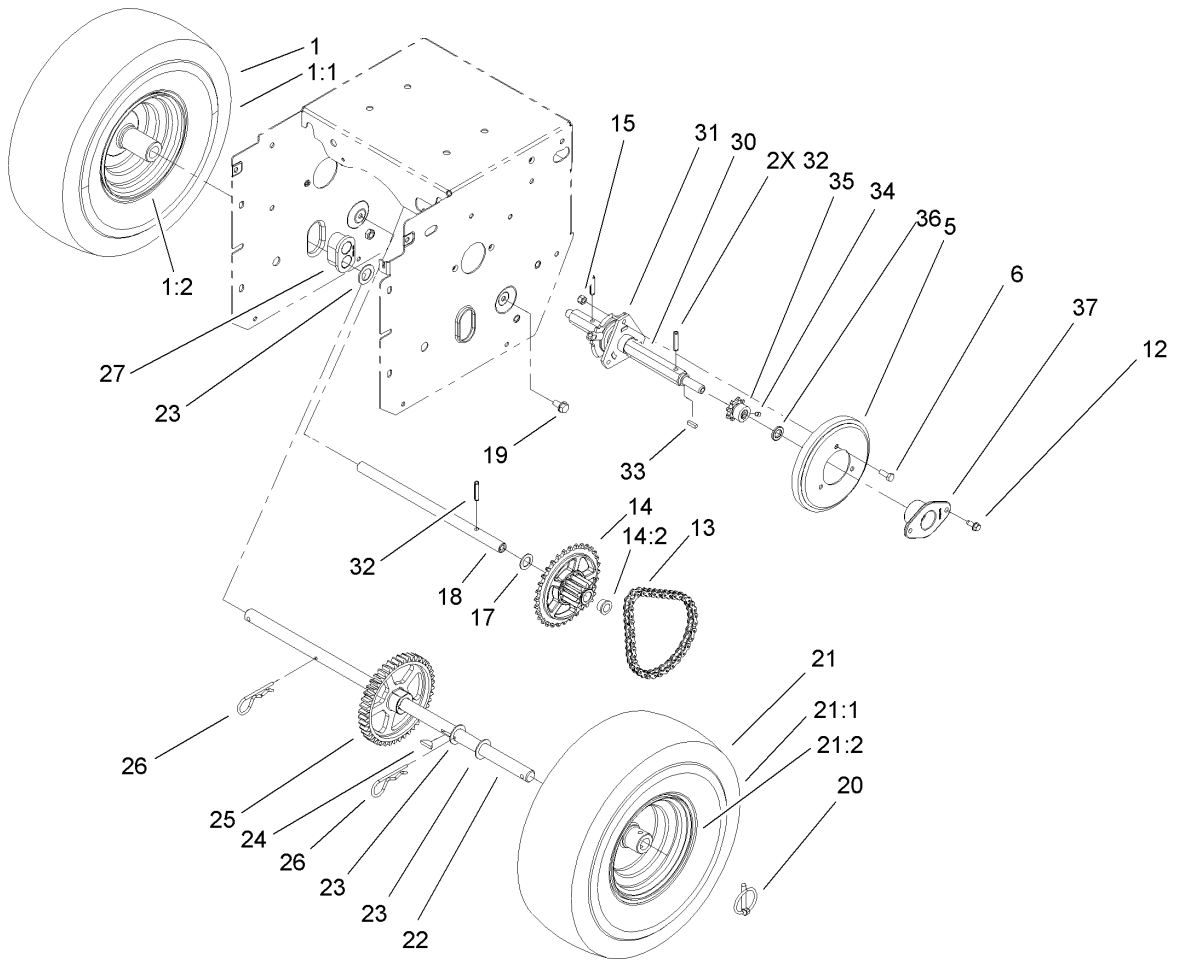
Ref	Part No.	Qty.	Description
1	108-7325	1	LH Auger Gearcase ASM
②1:1		1	LH Auger Gearcase ASM
1:1:2	256-237	1	Bushing
1:1:3	7-0045	1	Seal-Oil
2	108-7327	1	RH Auger Gearcase ASM
②2:1		1	RH Auger Gearcase ASM
2:1:2	256-237	1	Bushing
2:1:3	7-0045	1	Seal-Oil
3	252-71	2	Washer-Thrust
4	62-0120	1	Gear-Helical
5	106-4421	1	Shaft-Auger
6	3257-10	1	Key-Woodruff
7	66-7811	1	Shaft-Impeller
8	253-149	1	Seal-Oil
9	37-6560	1	Bushing-Input
10	62-1150	1	Bushing-Worm
11	252-78	2	Bearing-Thrust
12	252-76	1	Bearing-Thrust
13	32151-33	1	Ring-Retaining, EXT
14	108-4862	9	Screw HWH, Thd Form
15	281-1	1	Plug-Pipe, SQH
16	108-7330	1	Gasket-Auger Gearcase

### Chute Assembly

Ref	Part No.	Qty.	Description
1	106-7309	1	Deflector-Chute
2	106-4594	1	Spring-Torsion
3	46-8092	5	Screw-Plastite
4	106-4472	1	Gear-Chute
5	46-6810	3	Screw And Washer ASM
6	100-9880	1	Bolt-Shoulder
7	106-4585	1	Cover-Gear, Chute
9	106-7296	1	Bracket-Cable, Clamp
10	106-7297	1	Clamp-Cable
11	106-4471	1	Gear-Face
12	107-1021	1	Rod-Deflector
14	98-1375	2	Screw-HWH
15	106-7266	1	Bracket-Deflector
16	106-4582-03	1	Bracket-Support, Chute
17	106-4422	1	Spacer-Chute
18	3256-2	3	Washer-Flat
19	3296-47	2	Nut-Lock, NI
20	106-7276	3	Screw-Shoulder
21	106-7257	1	Mount-Gear, Face
22	63-2650	1	Screw-Shoulder
23	106-4476	1	Latch-Chute
24	106-7253-03	1	Tube-Support
25	3256-22	3	Washer-Flat
26	3296-42	3	Nut-Lock, NI

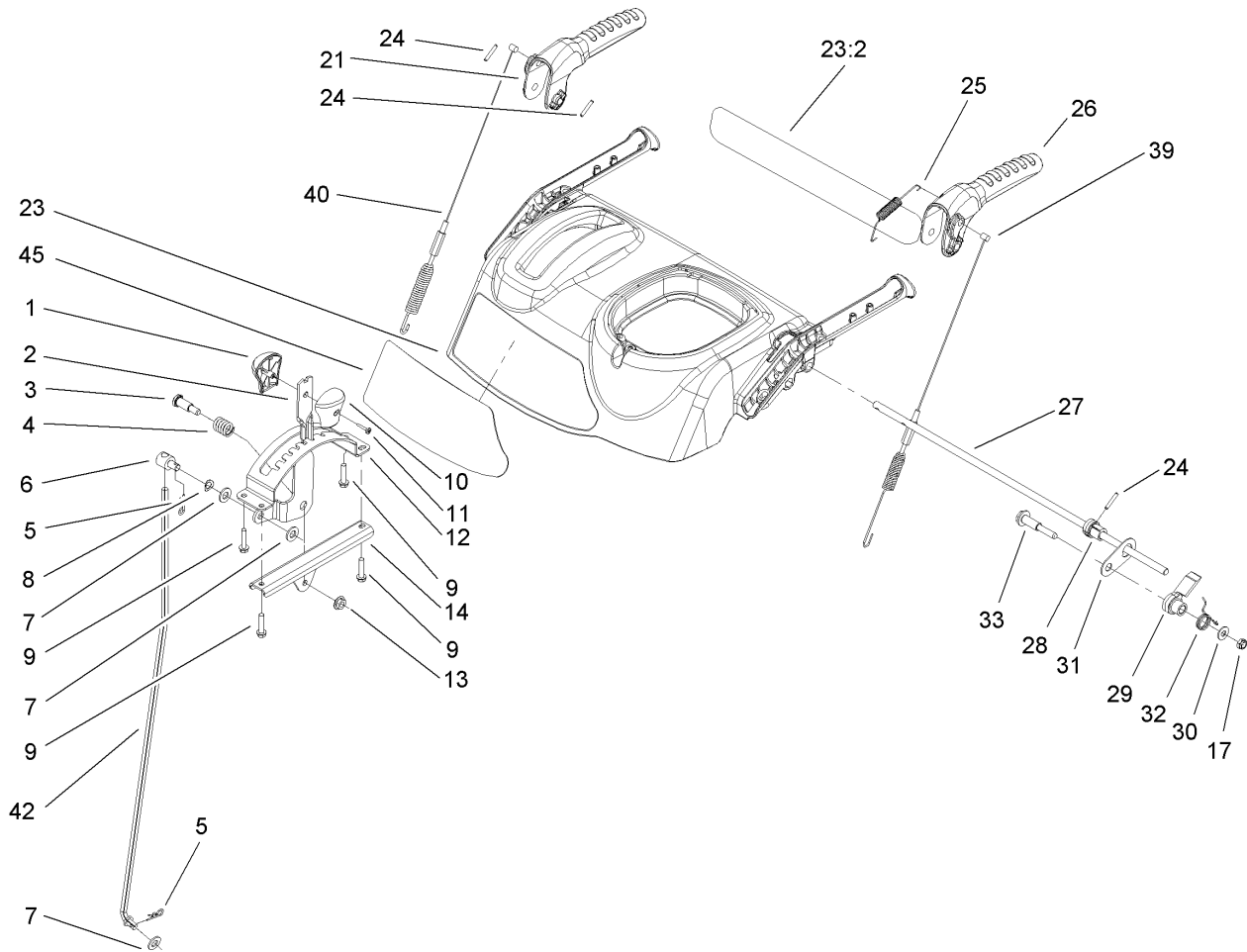
Ref	Part No.	Qty.	Description
27	3296-29	2	Nut-Lock, NI
28	106-7260	1	Washer-Curved
29	3230-5	1	Screw-CARR
30	3230-23	1	Screw-CARR
31	46-8091	3	Screw-HWH
32	105-9991	1	Ring-Chute
33	106-4440	1	Chute-Discharge
35	108-7315	1	Spring-Torsion
36	108-5052	1	Seal-Chute
37	3290-456	1	Washer-Belleville
38	32144-10	1	Screw-HWH



## Chain Drive Assembly

Ref	Part No.	Qty.	Description
②1		1	RH Wheel And Tire ASM
1:1	107-3042	1	Tire
1:2	107-3043	1	Rim-Tire
5	106-4480	1	Wheel-Friction
6	321-4	3	Screw-HH
12	32144-10	4	Screw-HWH
13	108-0016	1	Chain-Roller
13	2710-6	1	Link-Connecting
14	108-0013	1	Sprocket ASM
14:2	108-2974	2	Bushing-Flange
15	3296-42	3	Nut-Lock, NI
17	107-3041	1	Washer-Flat
18	106-4592	1	Shaft-Intermediate
19	32144-14	2	Screw-HWH
20	107-3039	2	Klik Pin ASM
②21		1	LH Wheel And Tire ASM
21:1	107-3042	1	Tire
21:2	107-3043	1	Rim-Tire
22	106-4449	1	Shaft-Axle
23	3-8664	3	Washer-Thrust
24	3257-7	1	Key-Woodruff
25	106-4572	1	Gear-Axle, 44 Tooth
26	3290-343	2	Pin-Hair
27	106-4558	2	Bearing-Axle

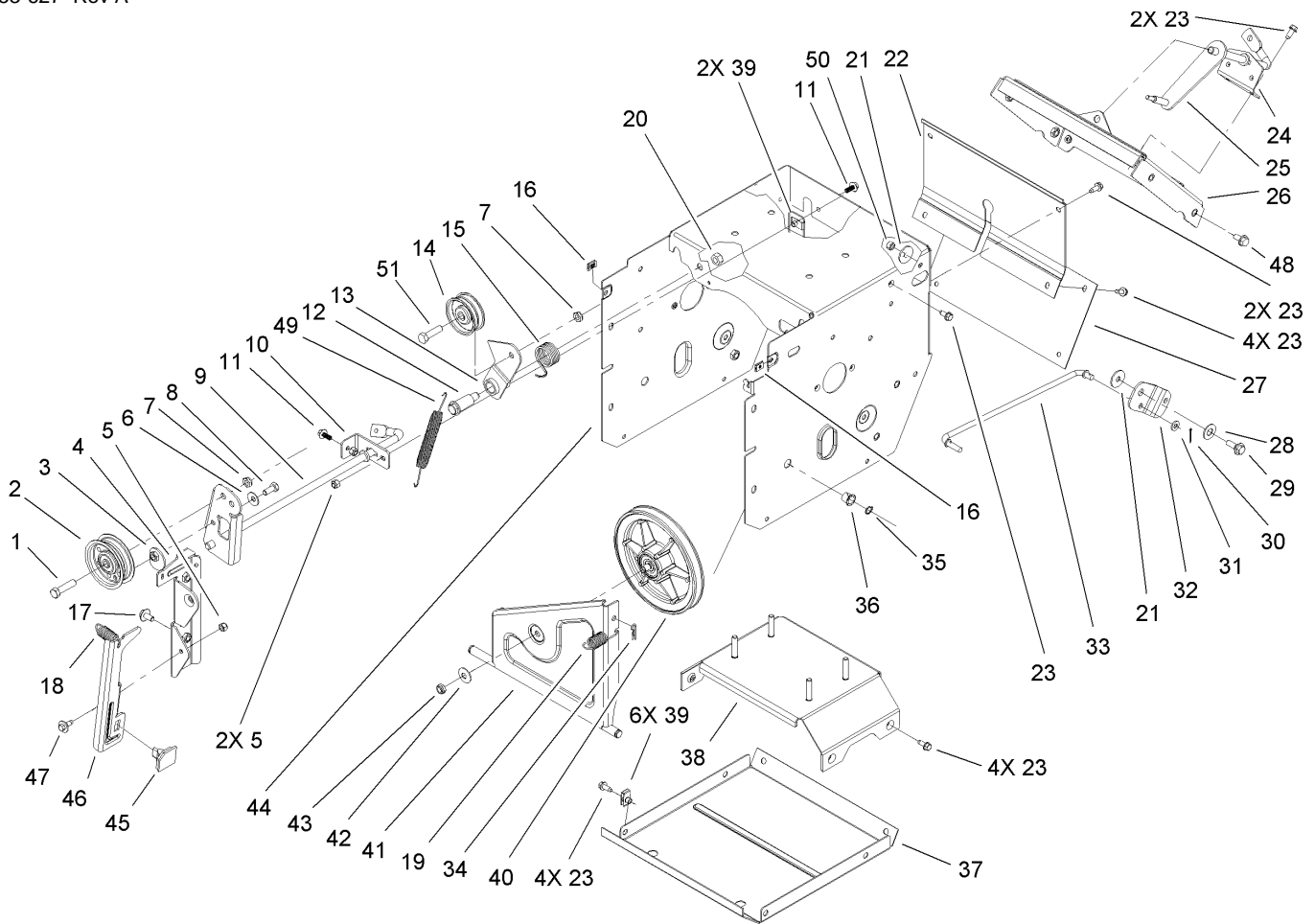
Ref	Part No.	Qty.	Description
30	108-5054	1	Shaft-Hex
31	106-4434	1	Trunion-Hex
32	32121-9	3	Pin-Roll, Slotted
33	94-8850	1	Key-Square
34	3245-32	2	Screw-HSH
35	106-7317	1	Sprocket-8 Tooth
36	108-5059	1	Spacer-Bushing
37	108-7319	2	Retainer-Bearing



## Control Panel Assembly

Ref	Part No.	Qty.	Description
1	106-4423	1	Knob-Shift, RH
2	106-7278-03	1	Selector-Speed
3	63-2650	1	Screw-Shoulder
4	108-7313	1	Spring-Compression
5	3290-307	2	Pin-Hair
6	101161	1	Trunnion
7	3256-24	3	Washer-Flat
8	612586	1	Washer-Spring
9	46-8092	4	Screw-Plastite
10	105-9999	1	Knob-Shift, LH
11	94-4496	1	Screw-PPH
12	106-7277-03	1	Guide-Selector, Speed
13	32128-13	1	Nut-HF
14	106-7279-03	1	Mount-Selector, Speed
17	3296-72	1	Nut-Lock, NI
21	106-4413	1	Lever-Auger
23	107-3826	1	Control Panel ASM
23:2	106-4523	1	Decal-Panel, Back Control
24	32121-125	3	Pin-Spring
25	107-3001	1	Spring-Tension
26	106-4410	1	Lever-Traction
27	105-9996	1	Rod-Lockout
28	107-1043	1	Cam-Lockout
29	108-0023	1	Latch-Lockout

Ref	Part No.	Qty.	Description
30	98-3499	1	Washer-Flat
31	107-3000	1	Link-Lockout
32	108-0024	1	Spring-Torsion
33	106-4412	1	Screw-Shoulder
39	106-4563	1	Cable-Traction
40	106-4599	1	Cable-Auger
42	107-1005	1	Rod-Shift
45	107-3031	1	Decal-Control Panel

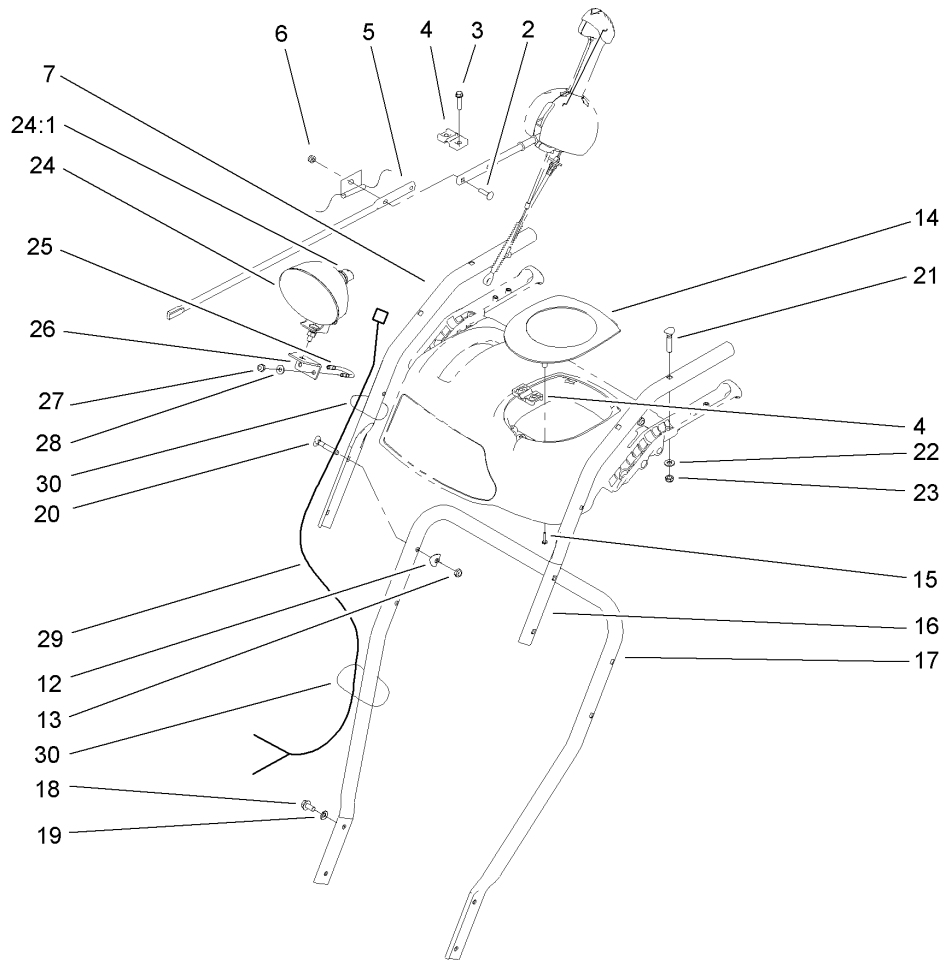


## Frame Assembly

Ref	Part No.	Qty.	Description
1	323-8	1	Screw-HH
2	92-7104	1	Pulley-Idler
3	107-1047	1	Nut
4	107-1039	1	Bracket-Idler, Impeller
5	3296-42	3	Nut-Lock, NI
6	3290-456	1	Washer-Belleville
7	3296-59	2	Nut-Lock, NI
8	322-3	1	Screw-HH
9	107-3838-03	1	Impeller Clutch ASM
10	106-7341	1	Bracket-Rear, Clutch
11	99-6810	2	Screw-HH
12	108-5056	1	Bolt-Shoulder
13	108-5058	1	Arm-Idler, Traction
14	3-4244	1	Pulley-Idler
15	108-7332	1	Spring-Torsion
16	107-1013	2	Nut-Speed, U-Type
17	3234-7	2	Screw-HHF
18	107-1045	1	Spring-Extension
19	107-1003	1	Spring-Extension
20	3296-76	1	Nut-Lock, NI
21	5-4460	2	Washer-Pivot
22	106-4556-01	1	Cover-Upper
23	32144-10	17	Screw-HWH
24	108-0036	1	Bracket-Shift Rod

Ref	Part No.	Qty.	Description
25	106-7268	1	Lever-Control, Traction
26	108-0026-01	1	Shift Plate ASM
27	106-7345-01	1	Cover-Lower
28	25-5640	1	Washer
29	27-0410	1	Screw-Shoulder
30	3272-4	1	Pin-Cotter
31	3256-23	1	Washer-Flat
32	107-1011	1	Bellcrank-Drive
33	106-4467	1	Link-Control, Speed
34	3290-307	1	Pin-Hair
35	32151-61	2	Ring-Retaining
36	256-257	2	Bushing-Nyliner
37	106-7330-01	1	Pan-Bottom
38	106-7315	1	Brace Frame ASM
39	107069	8	Clip
40	108-0031	1	Traction Pulley ASM
41	108-7307	1	Friction Wheel Bracket ASM
42	3290-340	1	Washer-Belleville
43	3296-5	1	Nut-Lock
44	108-0019-01	1	Traction Frame ASM
45	66-8060	1	Pad-Brake
46	107-1000	1	Arm-Brake
47	92-9698	1	Screw-Shoulder
48	32144-14	4	Screw-HWH

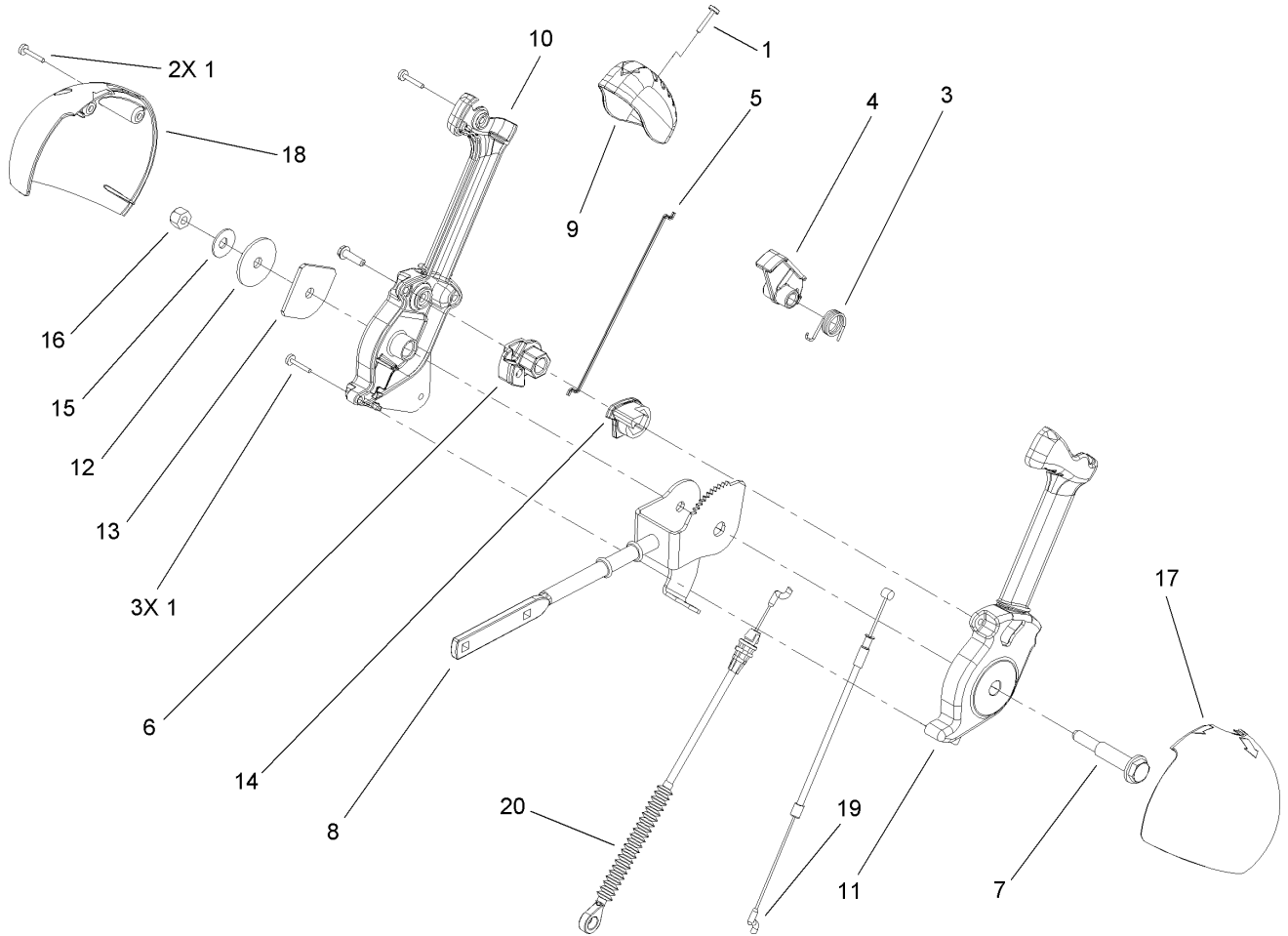




## Handle, Headlamp and Control Assembly

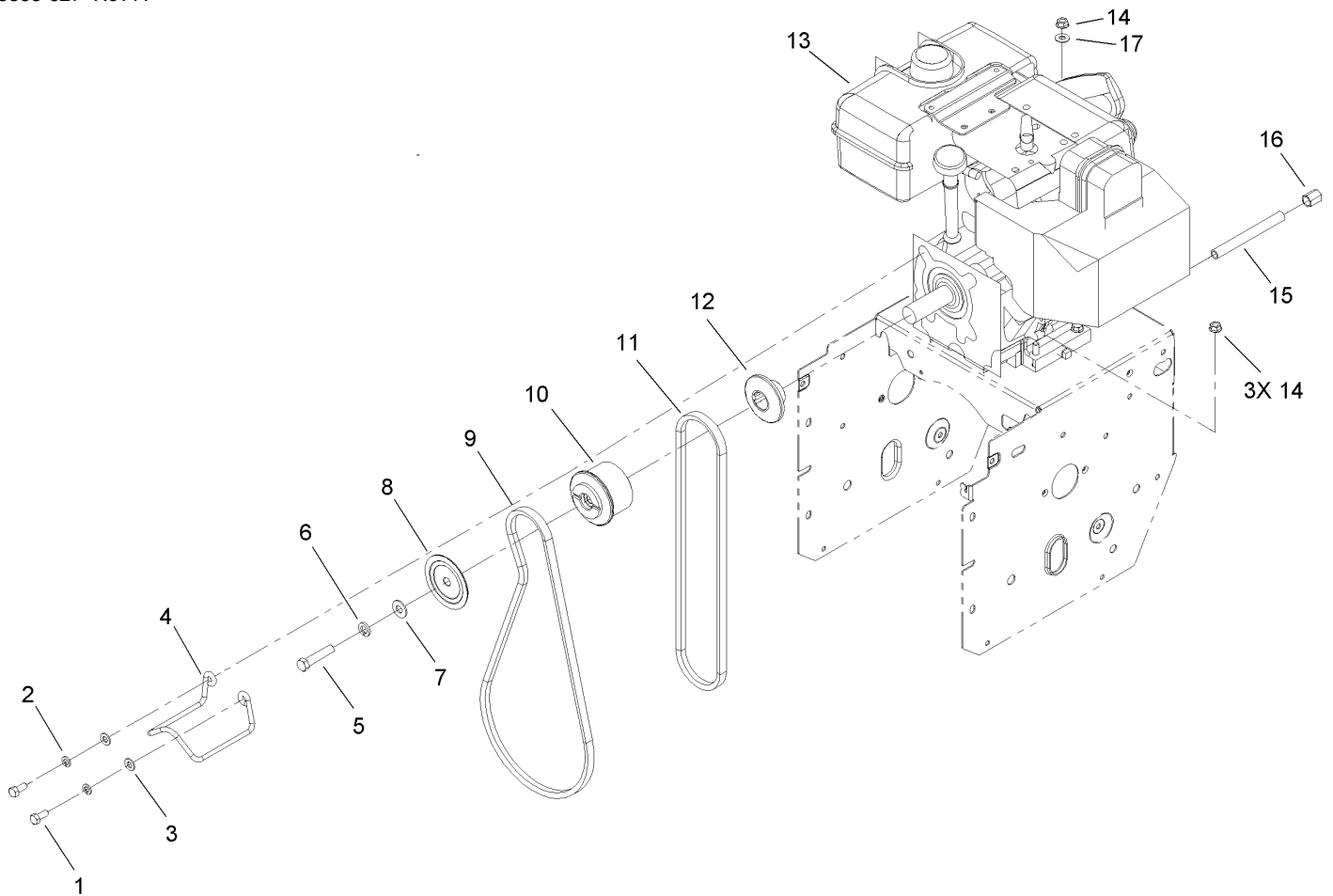
Ref	Part No.	Qty.	Description
2	3229-30	2	Screw-CARR
3	46-8092	2	Screw-Plastite
4	105-9987	2	Support-Rod
5	106-7283	1	Rod-Chute, Front
6	3296-73	2	Nut-Lock, NI
7	108-0038-03	1	Handle-Upper, RH
12	107-3844	4	Washer
13	3296-72	4	Nut-Lock, NI
14	106-4586	1	Cover-Panel, Control
15	94-4496	2	Screw-PPH
16	108-0037-03	1	Handle-Upper, LH
17	105-9981-03	1	Handle-Lower
18	32144-14	4	Screw-HWH
19	3290-475	4	Washer-Belleville
20	92-2260	4	Screw-Handle
21	107-3018	4	Screw-Handle
22	3256-70	4	Washer-Flat
23	3296-72	4	Nut-Lock, NI
24	106-4510	1	Headlamp ASM
24:1	108-0008	1	Lamp-12 Volt
25	107-3024	1	Clamp-Light
26	107-1020-03	1	Bracket-Light
27	3296-73	2	Nut-Lock, NI
28	3256-1	2	Washer-Flat

Ref	Part No.	Qty.	Description
29	106-4511	1	Harness-Wire
30	614249	2	Strap-Tie



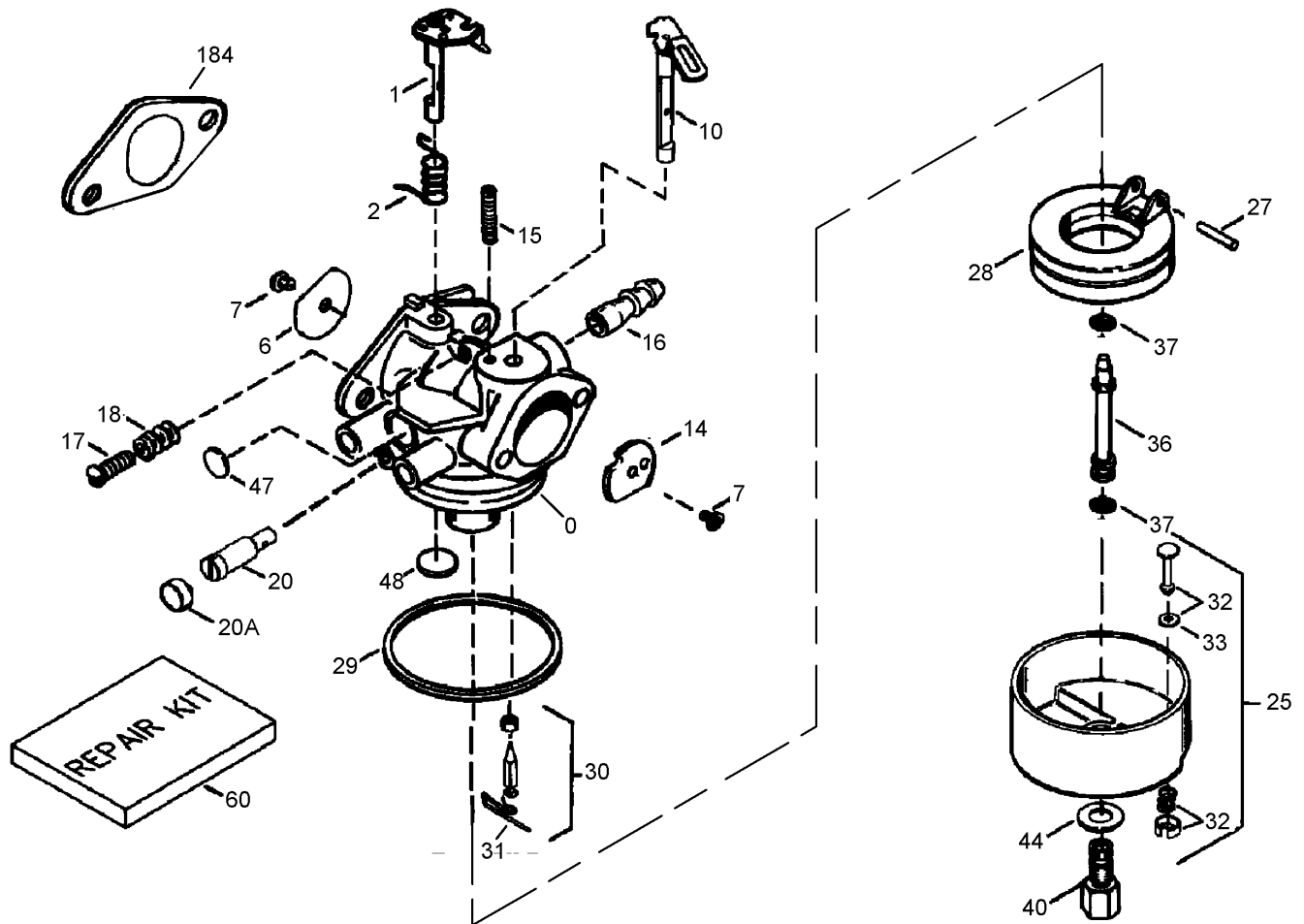
## Lever Chute Control Assembly

Ref	Part No.	Qty.	Description				
1	94-4496	6	Screw-PPH				
3	105-9982	1	Spring-Torsion				
4	105-9984	1	Trigger-Latch				
5	105-9985	1	Link-Latch				
6	105-9988	1	Lever-Cable, Deflector				
7	105-9995	1	Screw-Shoulder				
8	106-4479	1	Rod-Control, Chute				
9	106-7280	1	Cap-Lever				
10	106-7281	1	Lever-Chute Control, RH				
11	106-7282	1	Lever-Chute Control, LH				
12	107-3002	1	Washer-Nylon				
13	106-7295	1	Plate-Friction				
14	106-7310	1	Pawl-Latch				
15	3290-456	1	Washer-Belleville				
16	3296-29	1	Nut-Lock, NI				
17	105-9986	1	Cover-Chute Lever, LH				
18	106-7292	1	Cover-Chute Lever, RH				
19	105-9989	1	Cable-Chute Release				
20	105-9990	1	Cable-Control, Deflector				



## Engine Assembly

Ref	Part No.	Qty.	Description
1	3210-3	2	Screw-HH
2	3253-4	2	Washer-Lock
3	3256-23	2	Washer-Flat
4	107-3835	1	Guide-Belt
5	3212-8	1	Screw-HH
6	3253-6	1	Washer-Lock
7	3256-4	1	Washer-Flat
8	62-0940	1	Sheave-Half, Impeller
9	106-4498	1	Belt-V
10	106-7333	1	Pulley-Engine, Center
11	94-8812	1	V Belt-Traction
12	106-7334	1	Sheave-Half, Traction
13		1	Engine-Tecumseh, LH318Sa-156564H
14	32128-20	4	Nut-HF
15	289-34	1	Nipple-Pipe
16	288-2	1	Cap-Pipe
17	3256-2	1	Washer-Flat

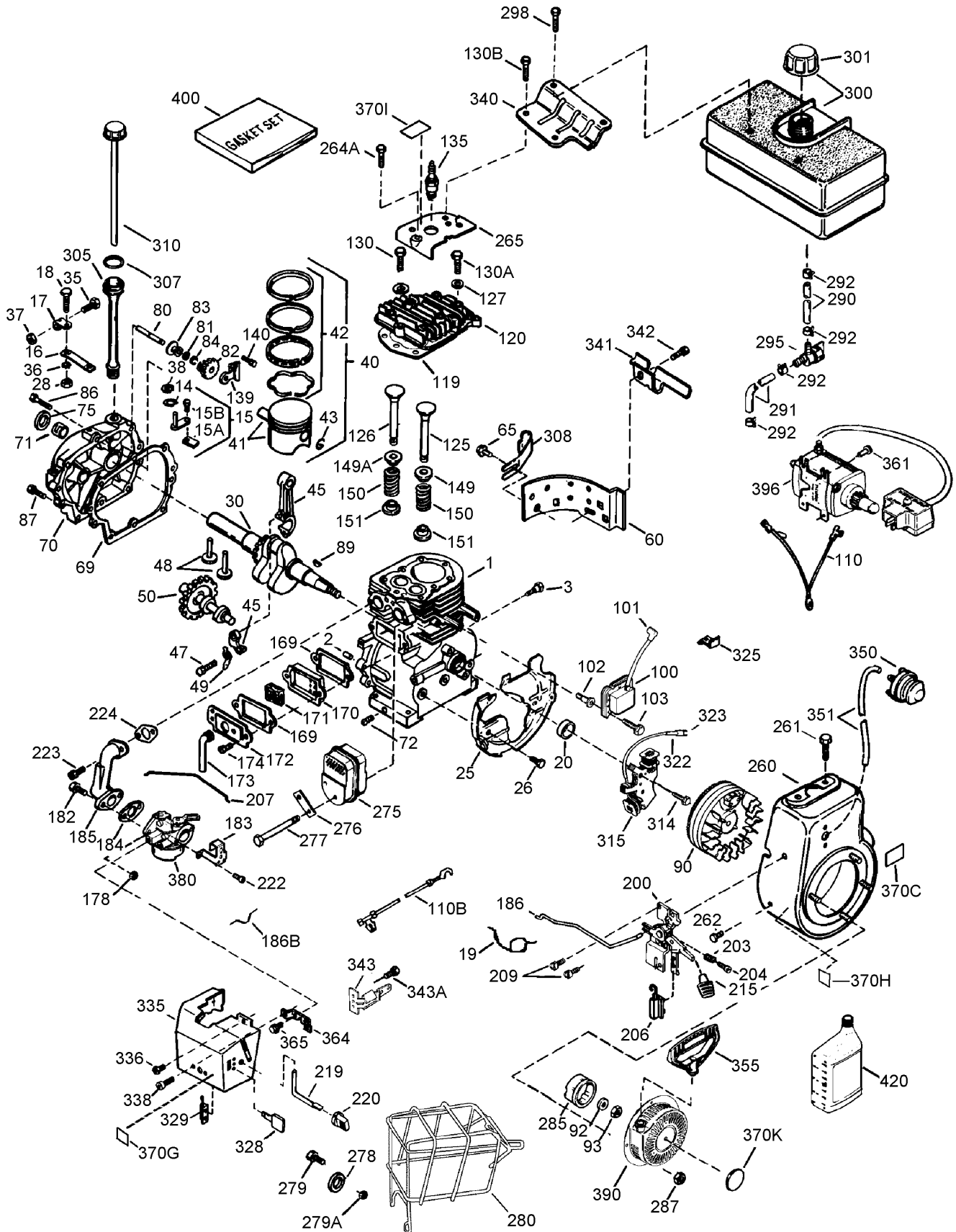
## Carburetor Assembly Tecumseh LH318SA-156564H

Ref	Part No.	Qty.	Description
0	640349	1	Carburetor (Includes 184)
1	631776A	1	Throttle Shaft And Lever ASM
2	631970	1	Spring-Return, Throttle
6	640109	1	Shutter-Throttle
7	650506	2	Screw-Shutter
10	632112	1	Choke Shaft And Lever ASM
14	632174	1	Shutter-Choke
15	630735	1	Spring-Positioning, Choke
16	632164	1	Fitting-Fuel
17	651025	1	Screw-Throttle Crack And Idle Speed
18	630766	1	Spring-Tension
20	640027	1	Screw-Restrictor, Idle
20A	640200	1	Cap-Screw, Idle Restrictor
25	631951	1	Float Bowl ASM (Includes 32 And 33)
27	631024	1	Shaft-Float
28	632802	1	Float
29	631028	1	O Ring-Bowl, Float
30	631021A	1	Inlet Needle, Seat, And Clip ASM (Includes 31)
31	631022	1	Clip-Spring
32	27136A	1	Bowl Drain ASM
33	27554	1	Gasket-Plunger, Drain
36	640113	1	Tube-Nozzle

Ref	Part No.	Qty.	Description
37	632547	2	O Ring-Nozzle Tube, Main
40	640128	1	Nut-Bowl, High Speed
44	27110	1	Washer
47	630748	1	Plug-Welch, Idle Mixture Well
48	631027	1	Plug-Welch, Atmospheric Vent
60	632760B	1	Repair Kit (Includes 7, 27, 29, 30, 33, 37, 44, 47, 48)
184	33263	1	Gasket (Carburetor To Intake Pipe)

# Engine Assembly

## Tecumseh LH318SA-156564H



# Engine Assembly

## Tecumseh LH318SA-156564H

Ref	Part No.	Qty.	Description	Ref	Part No.	Qty.	Description
①	35385	1	Cylinder ASM (Includes 2, 20, 72)	⑧9	32589	1	Key-Flywheel
①⑤	756320C	1	Shortblock	⑧90	611093	1	Flywheel ASM
②	27652	2	Pin-Dowel	⑧92	650880	1	Washer-Lock
③	650820	2	Screw (1/4-20 X 1/2In)	⑧93	650881	1	Nut-Flywheel
⑭	28277	1	Washer	⑧100	35135A	1	Ignition-State, Solid (Includes 101)
⑮	30699C	1	Rod-Governor (Includes 15A, 15B)	⑧101	610118	1	Cover-Plug, Spark
⑮A	30700	1	Yoke-Governor	⑧102	651024	2	Stud-Mounting, Solid State
⑮B	650494	1	Screw (6-40 X 5/16In)	⑧103	651007	2	Screw
⑯	33454A	1	Lever-Governor	⑧110	35187	1	Wire-Ground
⑰	29916	1	Clamp-Lever, Governor	⑧110B	37047	1	Wire-Ground
⑱	651028	1	Screw-Torx (T-15, 8-32 X 3/8In)	⑧119	36448	1	Gasket-Head, Cylinder
⑲	34663	1	Spring-Control, Speed	⑧120	36449	1	Head-Cylinder
⑳	35319	1	Seal-Oil	⑧125	27878A	1	Valve-Exhaust (STD) (Includes 151)
㉕	37853	1	Baffle-Housing, Blower	⑧125	27880A	1	Valve-Exhaust (1/32In Os) (Includes 151)
㉖	650561	2	Screw (1/4-20 X 5/8In)	⑧126	34035	1	Valve-Intake (STD.) (Includes 151)
㉘	30322	1	Nut-Lock (8-32)	⑧127	650691	2	Washer
㉚	35571A	1	Shaft-Crank	⑧130	6021A	7	Screw (5/16-18 X 1-7/16In)
㉜	29826	1	Screw (10-32 X 3/4In)	⑧130A	650727	2	Screw (5/16-18 X 1-25/32In)
㉞	29918	1	Washer-Lock	⑧130B	651055	2	Screw (5/16-18 X 39/64In)
㉟	29216	1	Nut-Lock (10-32)	⑧135	35395	1	Spark Plug-Resistor
㊱	29642	1	Ring-Retaining	⑧139	33369	1	Bracket-Gear, Governor
㊲	40011	1	Piston, Pin And Ring Set ASM (STD)	⑧140	650836	2	Screw (10-24 X 1/2In)
㊲	40012	1	Piston, Pin And Ring Set ASM (.010In Os)	⑧149	27882	1	Cap-Spring, Valve
㊳	40009	1	Piston And Pin ASM (STD) (Includes 43)	⑧149A	35862	1	Cap-Spring, Valve
㊳	40010	1	Piston And Pin ASM (.010In Os) (Includes 43)	⑧150	27881	2	Spring-Valve
㊴	40013	1	Ring Set (STD)	⑧151	32581	2	Keeper-Spring, Valve
㊴	40014	1	Ring Set (.010In Os)	⑧169	27896A	2	Gasket-Cover, Valve
㊵	27888	2	Ring-Retaining, Piston Pin	⑧170	28423	1	Body-Breather
㊶	36897	1	Connecting Rod ASM (Includes 47, 49)	⑧171	28424	1	Element-Breather
㊷	651033	2	Bolt-Rod, Connecting	⑧172	28425	1	Cover-Valve
㊸	34034	2	Lifter-Valve	⑧173	35350	1	Tube-Breather
㊹	36896	1	Dipper-Oil	⑧174	650128	2	Screw (10-24 X 1/2In)
㊺	35375	1	Camshaft (Mcr)	⑧178	29752	2	Nut And Lock Washer ASM
㊻	33273A	1	Extension-Housing, Blower	⑧182	30088A	2	Screw (1/4-28 X 1In)
㊼	650128	1	Screw (10-24 X 1/2In)	⑧183	34587A	1	Bracket-Choke
㊽	37342	1	Gasket-Cover, Cylinder	⑧184	33263	1	Gasket (Carburetor To Intake Pipe)
㊾	37847	1	Cover-Cylinder (Includes 71,75,80 - 84)	⑧185	33877	1	Pipe-Intake
㊿	35377	1	Bushing-Crankshaft	⑧186	34667	1	Link-Governor
1	27642	1	Plug-Drain, Oil	⑧186B	36652	1	Spring-Choke
2	35319	1	Seal-Oil	⑧200	34677	1	Bracket-Control (Includes 19, 203, 204, 206)
3	37587	1	Shaft-Governor	⑧203	31342	1	Spring-Compression
4	651080	1	Washer	⑧204	651029	1	Screw (5-40 X 7/16In)
5	37588	1	Governor Gear ASM (Includes 81)	⑧206	610973	1	Terminal
6	30588A	1	Spool-Governor	⑧207	33878	1	Link-Throttle
7	29193	1	Ring-Retaining	⑧209	650821	2	Screw (10-32 X 1/2In)
8	650833	7	Screw (1/4-20 X 1-3/16In)	⑧215	35440	1	Knob-Control
9	650832	1	Screw (1/4-20 X 1-11/16In)	⑧219	34586	1	Rod-Choke
				⑧220	35438	1	Knob-Choke

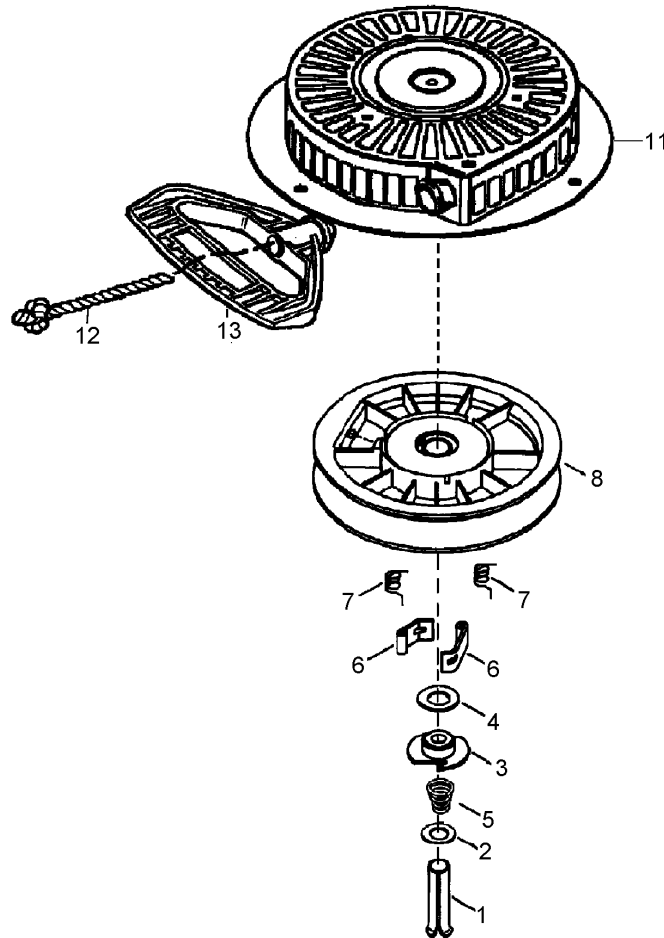


## Engine Assembly (continued)

### Tecumseh LH318SA-156564H

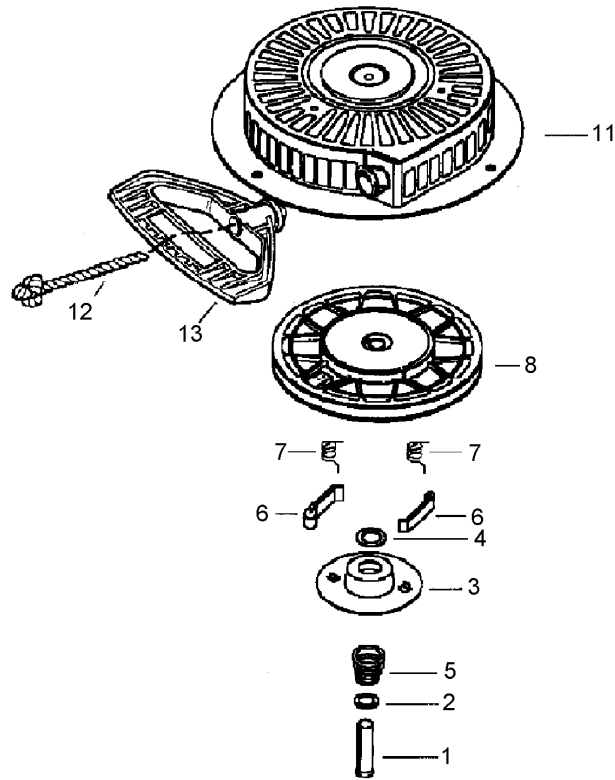
Ref	Part No.	Qty.	Description	Ref	Part No.	Qty.	Description
③264A	650802	1	Screw (1/4-20 X 5/8In)	③390	590749	1	Starter-Rewind (Note: This Engine Could Have Been Built With Starter 590733)
③265	33272D	1	Cover-Head, Cylinder	③396	37102	1	220 Volt Electric Motor ASM
③275	35056	1	Muffler	③400	36450C	1	Gasket Set (Includes 69, 119, 169, 184, 224)
③276	31588	1	Plate-Locking	③420	730226A	1	Oil-Sae 5W30 (Quart)
③277	651002	2	Screw (5/16-18 X 4-3/16In)				
③278	650147	2	Washer-Flat				
③279	650980	2	Screw (10-16 X 47/64)				
③279A	650979	2	Washer-Lock				
③280	36294	1	Muffler Heat Shield ASM (Includes 278, 279, 279A)				
③285	35985C	1	Cup-Starter				
③287	29752	4	Nut And Lock Washer ASM				
③290	29774	1	Line-Fuel				
③291	30705	1	Line-Fuel				
③292	26460	4	Clamp-Line, Fuel				
③295	35857	1	Valve-Shut Off, Fuel (Includes 292)				
③298	650665	2	Screw (1/4-15 X 3/4In)				
③300	34156A	1	Tank-Fuel (Includes 292, 301)				
③301	37844	1	Fuel Cap ASM				
③305	36877	1	Tube-Fill, Oil				
③307	35499	1	O-Ring				
③308	35539	1	Clip				
③310	37869	1	Dipstick				
③314	650873	1	Screw (1/4-20 X 3/4In)				
③315	611111	1	Coil-Alternator, 18 Watt (Includes 322, 323)				
③322	611117	1	Body-Connector				
③323	611118	1	Terminal				
③325	29443	1	Clip-Wire				
③328	35062	2	Key-Ignition				
③329	610973	1	Terminal				
③335	36547	1	Cover-Carburetor				
③336	650765	1	Screw (10-32 X 1/2In)				
③338	28942	2	Screw (10-32 X 3/8In)				
③340	34154	1	Bracket-Tank, Fuel				
③341	34155	1	Bracket-Tank, Fuel				
③342	650561	1	Screw (1/4-20 X 5/8In)				
③343	35079A	1	Bracket-Switch, Key (Includes 343A)				
③343A	651060	1	Screw (10-32 X 23/64In)				
③350	570682A	1	Primer ASM				
③351	32180C	1	Line-Primer (12In)				
③355	590574	1	Handle-Grip, Mitten				
③361	650990	2	Screw (T-30, 1/4-20 X 15/32In)				
③364	37659	1	Bracket-Cover, Carburetor				
③365	650767	2	Screw (8-32 X 27/64In)				
③370C	36501	1	Decal-Primer				
③370G	36534	1	Decal-Caution				
③370H	35077	1	Decal-Instruction				
③370I	37119	1	Decal-Warning				
③370K	36695	1	Decal-Starter				
③380	640349	1	Carburetor (Includes 184)				





## Recoil Starter Assembly Tecumseh LH318SA-156564H

Ref	Part No.	Qty.	Description				
❶0	590749	1	Starter-Rewind				
❶1	590599A	1	Spring Pin ASM (Includes 4)				
❶2	590600	1	Washer				
❶3	590679	1	Retainer				
❶4	590601	1	Washer				
❶5	590678	1	Spring-Brake				
❶6	590680	2	Dog-Starter				
❶7	590412	2	Spring-Dog				
❶8	590682	1	Pulley And Rewind Spring ASM				
❶11	590750A	1	Starter Housing ASM				
❶12	590535	1	Rope-Starter (98In X 9/64In Diameter)				
❶13	590574	1	Handle-Grip, Mitten (Not Included With Starter)				



## Recoil Starter Assembly (Optional) Tecumseh LH318SA-156564H

Ref	Part No.	Qty.	Description				
●0	590733	1	Starter-Rewind				
●1	590599A	1	Spring Pin ASM (Includes 4)				
●2	590600	1	Washer				
●3	590696	1	Retainer				
●4	590601	1	Washer				
●5	590697	1	Spring-Brake				
●6	590698	2	Dog-Starter				
●7	590699	2	Spring-Dog				
●8	590709	1	Pulley And Rewind Spring ASM				
●11	590734A	1	Starter Housing ASM				
●12	590535	1	Rope-Starter (98In X 9/64In Diameter)				
●13	590574	1	Handle-Grip, Mitten (Not Included With Starter)				

# Attachments and Accessories

## For 38635 - Power Max 828LE Snowthrower

<b>Product Name</b>	<b>Model/Part</b>
Tire Chain Kit .....	107-3813
Snow Cab .....	107-3814
Weight Kit .....	107-3815
28in Drift Breaker .....	107-3817

# NOTES

# NOTES

