



## Dingo<sup>®</sup> 323 Compact Utility Loader

Model No. 22318 - 250000001 and up.

### Parts Catalog

---

#### **Ordering Replacement Parts**

To order replacement parts, please supply the part number, the quantity, and the description of each part desired.

#### **Understanding Reference Numbers**

Each identified part in an illustration has a reference number. The reference number for a part also appears in the parts list, along with other information about the part.

This catalog uses two special reference number formats, one to indicate parts in a service assembly and another to indicate the quantity of a given part in an illustration.

#### **Service Assembly Reference Numbers**

Parts in service assemblies have reference numbers in the form a:b. The a represents the reference number of the entire service assembly and the b represents a sequential number unique to each part within the service assembly.

For example, a wheel assembly might be identified by reference number 6, the tire by 6:1, the valve by 6:2, and the wheel by 6:3. When you order the assembly identified by reference number 6, you receive all parts identified by reference numbers 6:1, 6:2, and 6:3. However, you may also order any part individually. Reference numbers of this type appear in illustrations and in part lists.

#### **Reference Numbers Indicating Quantity**

In an illustration, if a reference number indicates more than one part, the reference number has the form nX y. The n represents the quantity of the part, the X is the multiplication symbol, and the y represents the reference number.

For example, in an illustration, the reference number 2X 37 means that two of the parts identified by reference number 37 are indicated.

# Contents

Description	Page	Description	Page
Frame and Loader Arm Assembly	3	Hydraulic Cylinder Assembly No. 105-7867	21
Hood and Screen Assembly	4	Electrical Component Assembly	22
Wheel and Motor Assembly	5	Thigh Support Assembly	23
Hydraulic Motor Assembly No. 99-3052	6	Crankshaft Assembly Kohler CH23S-76549	24
Engine and Pump Assembly	7	Crankcase Assembly Kohler CH23S-76549	25
Tandem Hydraulic Pump Assembly No. 108-4710	8	Oil Pan / Lubrication Assembly Kohler CH23S-76549	26
Fuel Tank and Air Filter Assembly	9	Head / Valve / Breather Assembly Kohler CH23S-76549	27
Air Cleaner Assembly No. 99-3160	10	Ignition / Electrical Assembly Kohler CH23S-76549	28
Hydraulic Tank and Filter Assembly	11	Blower Housing Assembly Kohler CH23S-76549	29
Auxiliary Control Lever Assembly	12	Starter Assembly Kohler CH23S-76549	30
Hydraulic Valve Assembly	13	Fuel System Assembly Kohler CH23S-76549	31
Hydraulic Valve Assembly No. 99-3077	14	Engine Control Assembly Kohler CH23S-76549	32
Hydraulic Selector Valve Assembly No. 99-3072	15	Air Intake / Filtration Assembly Kohler CH23S-76549	33
4-Spool Valve Assembly	16	Exhaust Assembly Kohler CH23S-76549	34
4-Spool Valve Assembly No. 105-8377	17	Attachments and Accessories List	35
Hydraulic Motor Assembly	18		
Counterbalance Valve Assembly No. 99-3040	19		
Hydraulic Cylinder Assembly	20		

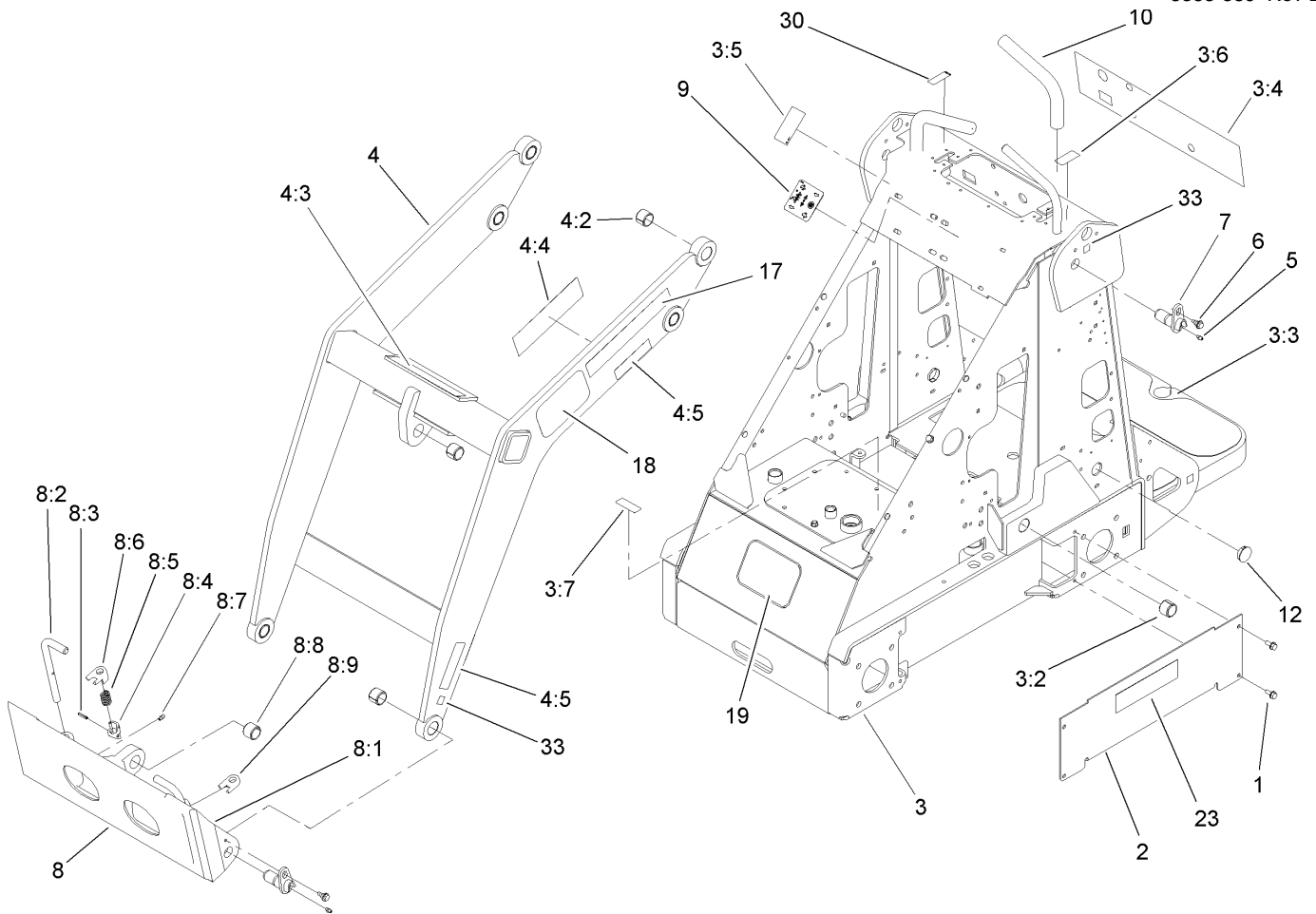
## Part Description Abbreviations

Part descriptions in this catalog may include the following abbreviations.

AR. . . . . as required	HWHTF. . . . . hex washer head thread forming
ASM. . . . . assembly	HYD. . . . . hydraulic
BBC. . . . . blade brake clutch	INC. . . . . incorporated
CARR. . . . . carriage	LH. . . . . left hand
DEG. . . . . degrees	NI. . . . . nylon insert
EXT. . . . . external	NPTF. . . . . national pipe thread fine
FH. . . . . flat head	PPH. . . . . phillips pan head
GA. . . . . gauge	PPHTF. . . . . phillips pan head thread forming
HF. . . . . hex flange	PRH. . . . . phillips round head
HH. . . . . hex head	PTH. . . . . phillips truss head
HHF. . . . . hex head flange	PTO. . . . . power take off
HHFTF. . . . . hex head flange thread forming	RH. . . . . right hand
HJ. . . . . hex jam	ROPS. . . . . roll over protection system
HLH. . . . . hex lag head	SFH. . . . . slotted fillister head
HOC. . . . . height-of-cut	SHH. . . . . slotted hex head
HSBH. . . . . hex socket button head	SHWH. . . . . slotted hex washer head
HSFH. . . . . hex socket flat head	SPH. . . . . slotted pan head
HSH. . . . . hex socket head	SQH. . . . . square head
HWH. . . . . hex washer head	

## Footnotes

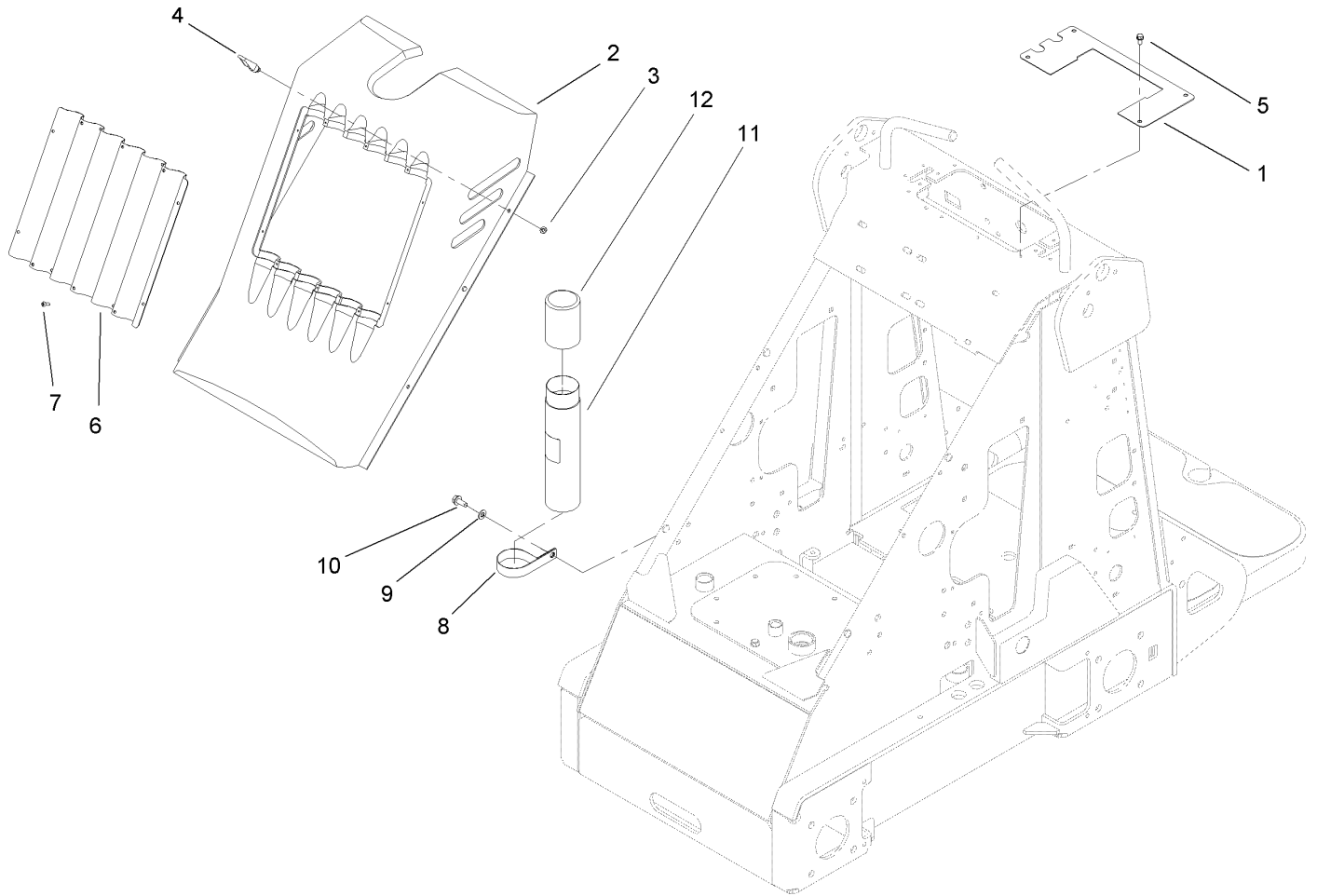
- ❶ Not illustrated
- ❷ Obtain Parts From Kohler
- ❸ Not serviced separately



## Frame and Loader Arm Assembly

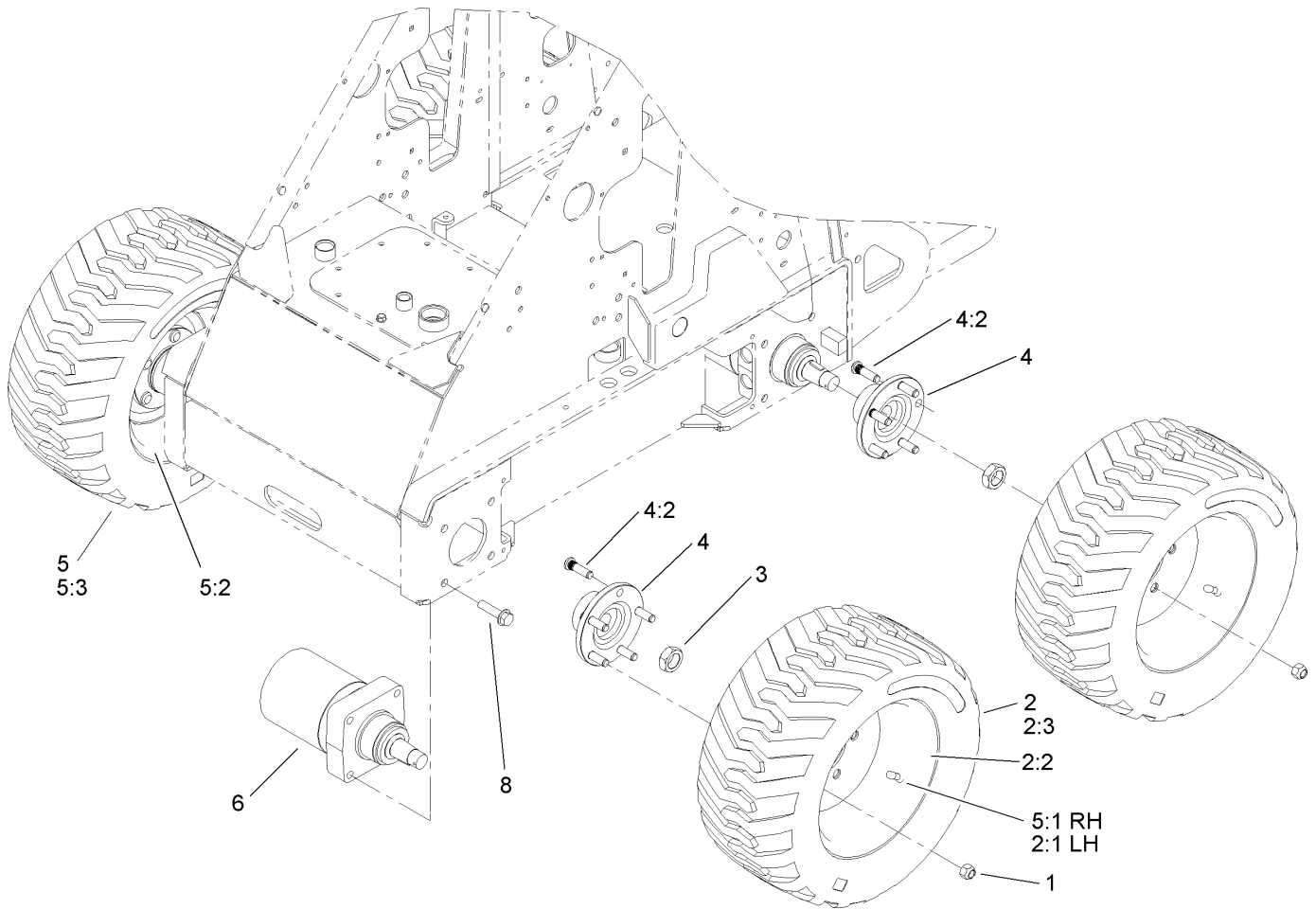
Ref	Part No.	Qty.	Description
1	32144-70	8	Screw-HH
2	106-8178-01	2	Cover-Hose
3	108-9710	1	Frame ASM
3:2	98-4871	2	Bushing-Tension
3:3	98-9947	2	Tread-Foot
3:4	108-4727	1	Decal-Panel, Control
3:5	98-4677	1	Decal-Power, Auxiliary
3:6	98-8219	1	Decal-Throttle
3:7	105-8432	1	Decal-Oil, Hydraulic
4	106-8155	1	Loader ASM
4:2	98-4871	7	Bushing-Tension
4:3	98-4682	1	Decal-Caution
4:4	98-9051	1	Decal-Danger
4:5	100-6141	4	Decal-Pinch
5	302-5	4	Fitting-Grease
6	99-5105	4	Bolt-Shoulder
7	99-1414	4	Pin-Pivot
8	105-8364	1	Quick Attach ASM
8:1	105-0245-03	1	Mount-Attach, Quick
8:2	105-8367	2	Pin-Locking
8:3	3285-1	2	Pin-Grooved
8:4	105-0246	2	Cam
8:5	98-4694	2	Spring-Compression
8:6	104-5909	1	Stop-RH

Ref	Part No.	Qty.	Description
8:7	302-5	2	Fitting-Grease
8:8	98-4871	1	Bushing-Tension
8:9	104-5903	1	Stop-LH
9	108-9716	1	Decal-Selector, Speed
10	98-4845	2	Grip-Cushion
12	94-1402	2	Plug-Hole
17	105-8427	2	Decal
18	93-7340	2	Decal
19	62-5550	1	Decal
23	105-8429	2	Decal
30	94-2551	1	Decal-Choke
33	93-9084	6	Decal-Point, Lift



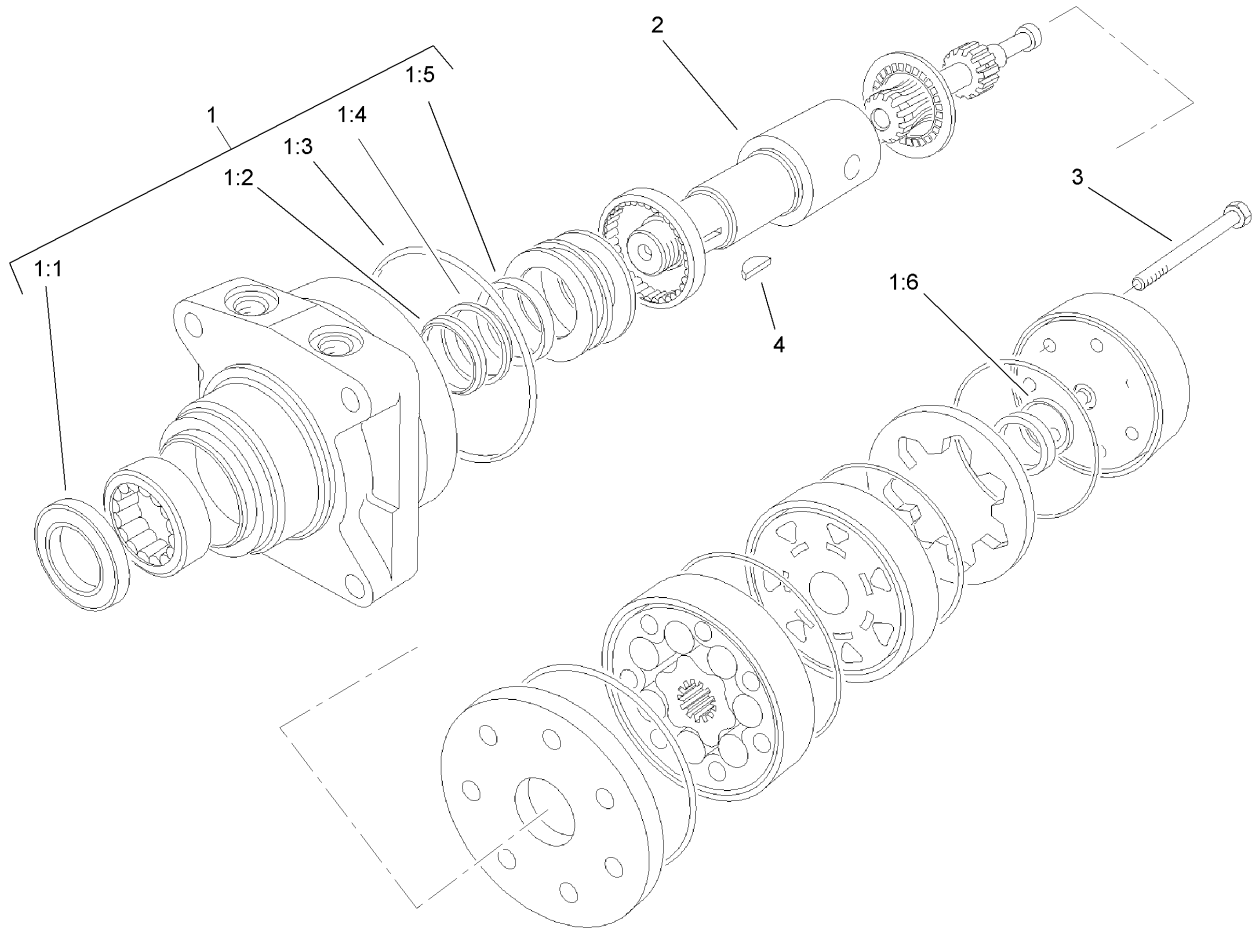
## Hood and Screen Assembly

Ref	Part No.	Qty.	Description
1	108-9714-03	1	Plate-Cover
2	99-3164	1	Cover-Hood
3	99-3058	4	Washer
4	74-5950	4	Latch-Swell
5	32144-4	4	Screw-HWH
6	99-3147-03	1	Grille-Screen
7	32144-111	10	Screw-PPH
8	2412-133	1	R-Clamp
9	3256-23	1	Washer-Flat
10	32144-70	1	Screw-HH
11	104-7050	1	Housing-Manual
12	104-7048	1	Cap-Housing

## Wheel and Motor Assembly

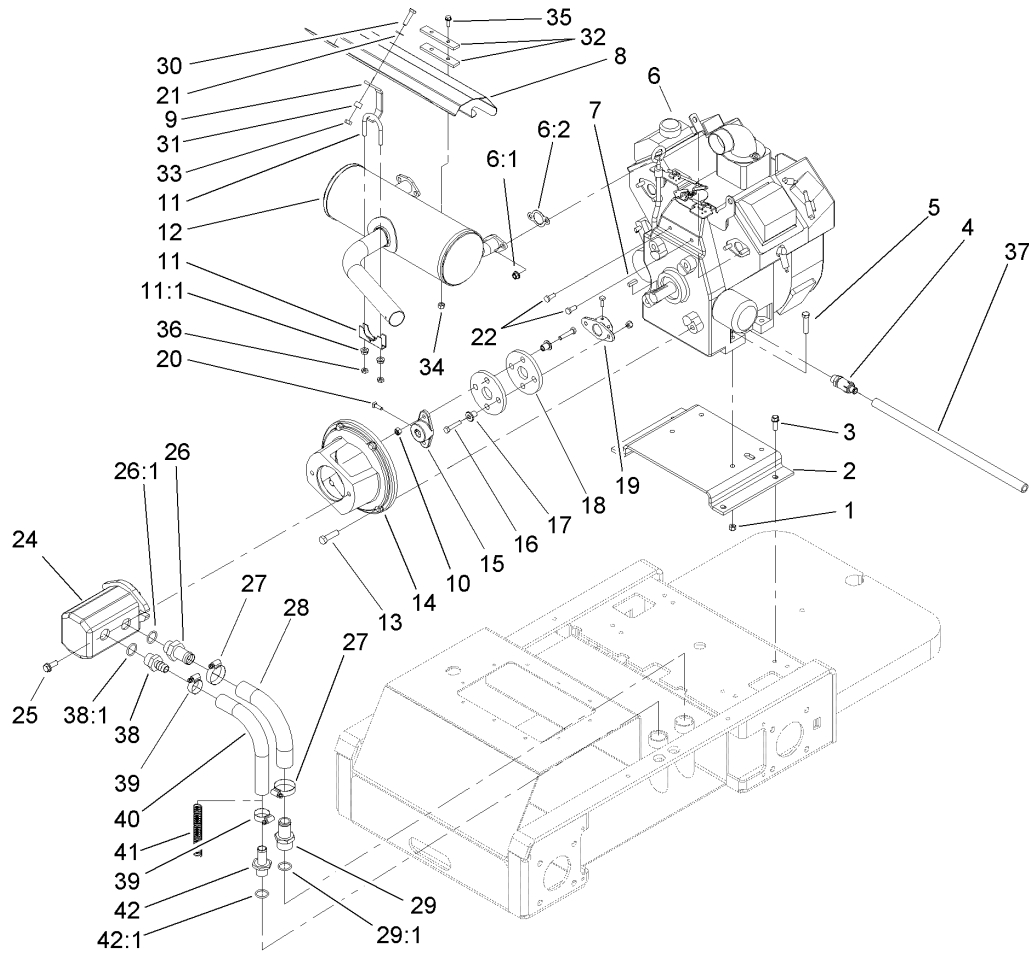
Ref	Part No.	Qty.	Description
1	242-50	20	Nut-Lug
2	98-2747	2	LH Wheel And Tire ASM
2:1	232-27	1	Stem-Valve
2:2	98-2748	1	Wheel
2:3	98-2749	1	Tire
3	106-8159	4	Nut-Lock
4	99-3064	4	Hub ASM
4:2	10-6830	5	Stud-Type, Drive
5	99-1447	2	RH Wheel And Tire ASM
5:1	232-27	1	Stem-Valve
5:2	98-2748	1	Wheel
5:3	98-2749	1	Tire
6	99-3052	4	HYD Motor ASM
8	3234-27	16	Screw-Flange



## Hydraulic Motor Assembly No. 99-3052

Ref	Part No.	Qty.	Description
1	94-8178	1	Seal Kit
1:1		1	Seal-Dirt And Water
1:2		1	Washer-Backup
1:3		5	Seal-Ring
1:4		1	Washer-Backup
1:5		1	Seal-Inner
1:6		1	Seal-Commutator
2	99-3090	1	Shaft-Coupling
3	99-3091	7	Screw-Cap, HH
4	3257-42	1	Key-Woodruff

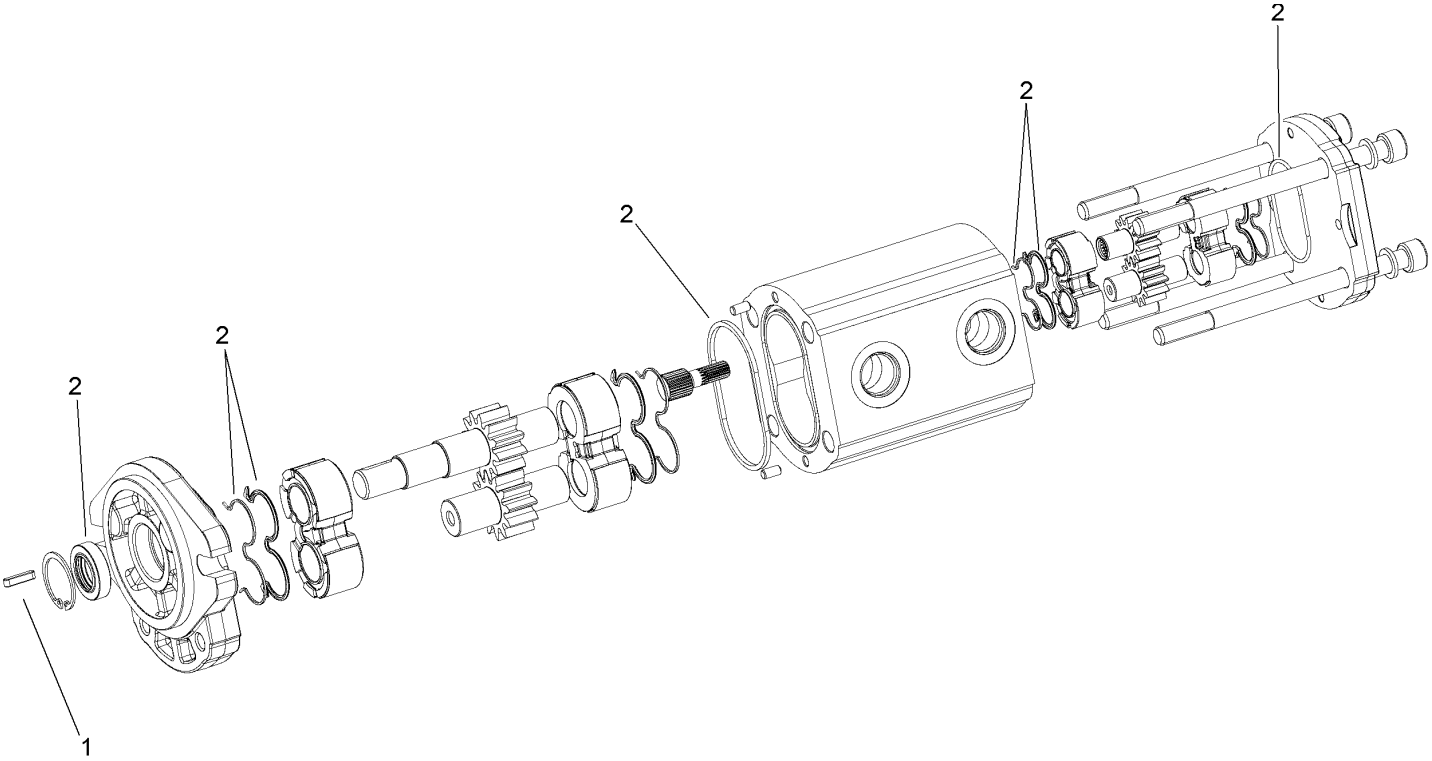
--	--	--	--



## Engine and Pump Assembly

Ref	Part No.	Qty.	Description
1	3296-39	4	Nut-Lock, NI
2	98-4666-03	1	Mount-Engine
3	95-1726	4	Screw-Taptite
4	92-6877	1	Valve-Drain, Oil
5	323-9	4	Screw-HH
6		1	Engine-Kohler, Ch23S-76549
6:1	92-6780	4	Nut-HF
6:2	93-0350	2	Gasket-Exhaust
7	10-7070	1	Key-Square
8	99-3115-03	1	Shield-Muffler
9	99-3138-03	1	Support-Shield
10	3296-29	4	Nut-Lock, NI
11	2112-9	1	Clamp
11:1	32128-20	2	Nut-HF
12	105-8381	1	Muffler
13	324-6	4	Screw-HH
14	98-2751-03	1	Mount-Pump
15	98-4701	1	Hub-Pump
16	322-7	4	Screw-HH
17	71-4411	4	Spacer
18	44-2230	2	Coupling-Rubber
19	27-1960	1	Hub-Engine
20	3241-6	4	Screw-SQH
21	3256-23	1	Washer-Flat

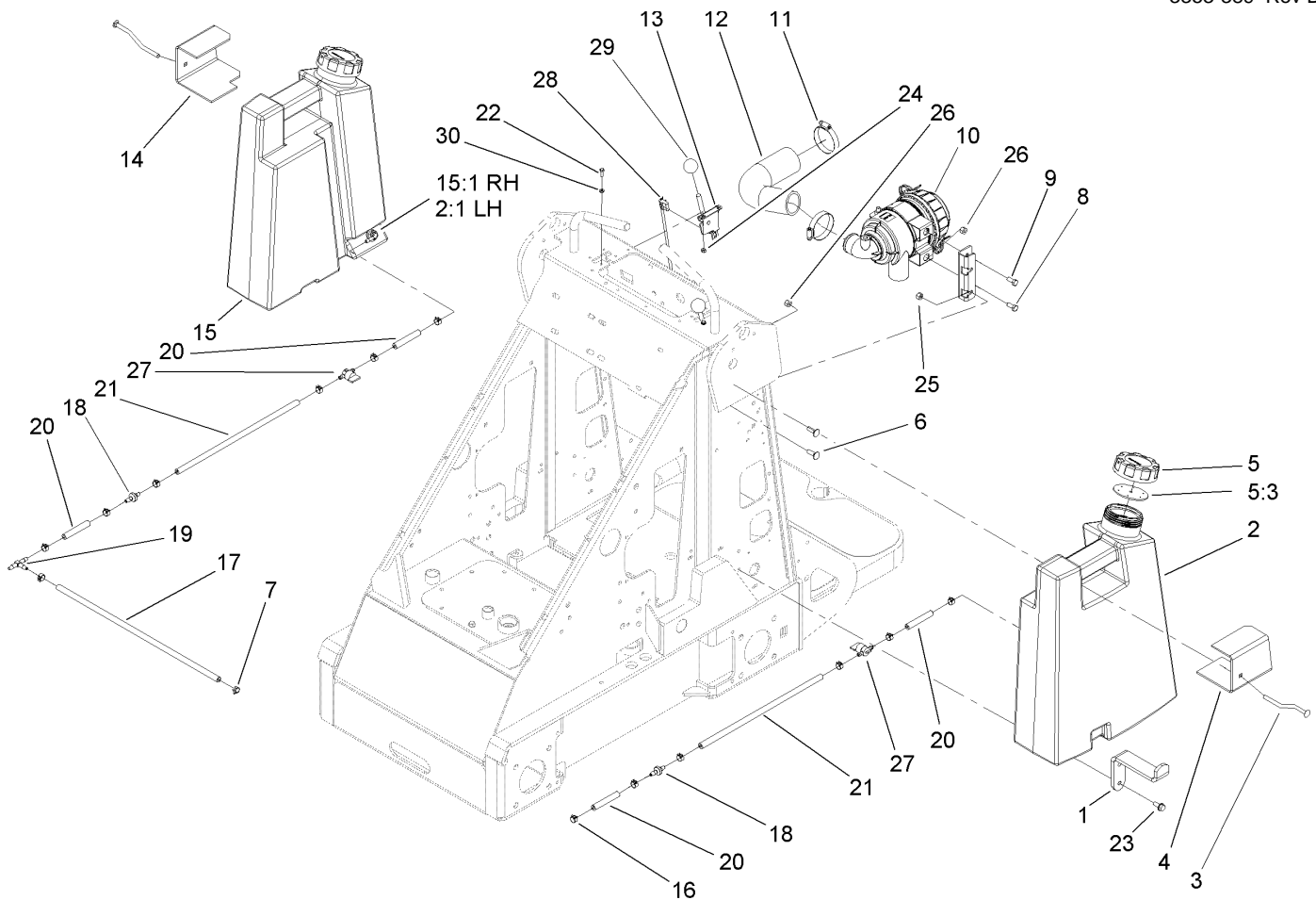
Ref	Part No.	Qty.	Description
22	33114-020	2	Screw-HH
24	108-4710	1	HYD Pump ASM
25	66-9300	2	Screw-HF
26	99-3017	1	Fitting
26:1	237-81	1	O-Ring
27	2412-111	2	Clamp
28	99-3046	1	Hose-Suction, Formed
29	354-78	1	Connector-Hose
29:1	237-146	1	O-Ring
30	322-6	1	Screw-HH
31	98-4695	1	Spacer
32	99-3116-03	2	Spacer-Bar
33	32152-1	1	Nut-Lock, Cone
34	32152-4	2	Nut-Lock, Cone
35	3234-21	2	Screw-Cap
36	3218-2	2	Nut-Jam
37	98-4667	1	Hose-Drain, Oil
38	354-73	1	Fitting
38:1	237-81	1	O-Ring
39	2412-129	2	Clamp-Hose
40	98-2713	1	Hose-Suction, HYD
41	99-5349	1	Spring-Compression
42	99-6932	1	Fitting-Barb, Hose
42:1	237-117	1	O-Ring



# Tandem Hydraulic Pump Assembly No. 108-4710

Ref	Part No.	Qty.	Description				
1	98-4700	1	Key-Square				
2	99-1353	1	Seal Kit				



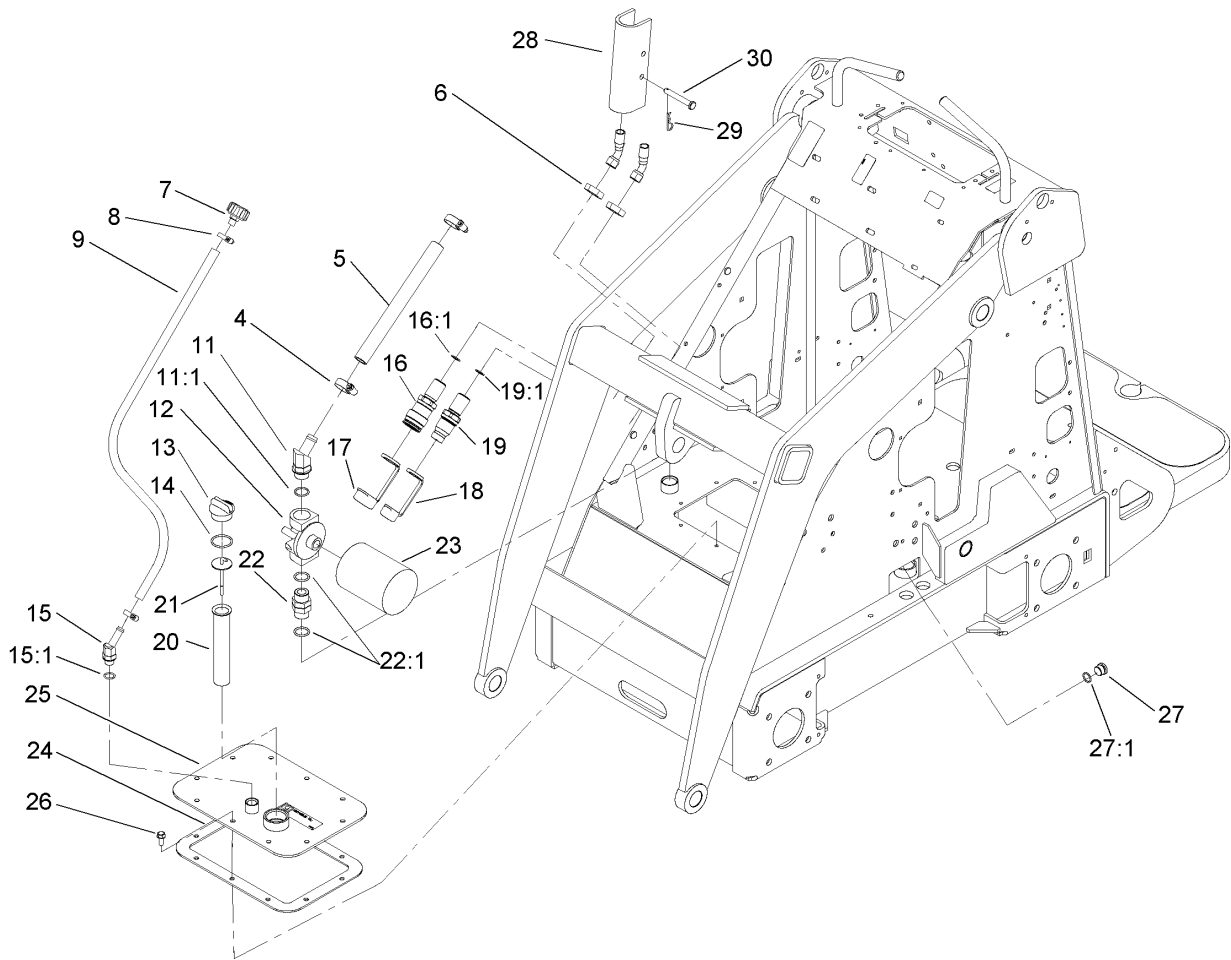


## Fuel Tank and Air Filter Assembly

Ref	Part No.	Qty.	Description
1	98-4656-03	2	Mount-Bottom, Tank
2	105-8439	1	LH Fuel Tank ASM
2:1	103-2605	1	Fitting-Fuel, Bulkhead
3	98-4657	2	Bolt-Mount
4	99-1444-03	1	Plate-Mount, Left
5	104-7418	2	Cap-Fuel, Gas
5:3	104-7420	1	Gasket-Vented
6	3230-2	2	Bolt-CARR
7	2412-98	1	Clamp
8	322-3	2	Screw-HH
9	99-3080-03	1	Mount-Cleaner, Air
10	99-3160	1	Air Cleaner ASM
11	2412-42	2	Clamp-Hose
12	99-3148	1	Hose-Air
13	108-9730	2	Control Lever ASM
14	98-4655-03	1	Plate-Mount
15	105-8440	1	RH Fuel Tank ASM
15:1	103-2605	1	Fitting-Fuel, Bulkhead
16	92-2379	13	Clamp-Hose
17	99-3185	1	Hose-Fuel
18	99-5000	2	Valve-Check, Fuel
19	99-5005	1	Fitting-Tee, Barbed
20	99-5101	4	Hose-Fuel
21	94-1349	2	Hose-Fuel

Ref	Part No.	Qty.	Description
22	3290-134	4	Screw
23	32144-70	4	Screw-HH
24	32149-7	4	Nut-Keps
25	32128-20	2	Nut-HF
26	3296-29	4	Nut-Lock, NI
27	1-603770	2	Valve-Fuel
28	108-4718	2	Cable-Control
29	233-42	2	Knob
30	3256-51	4	Washer-Flat

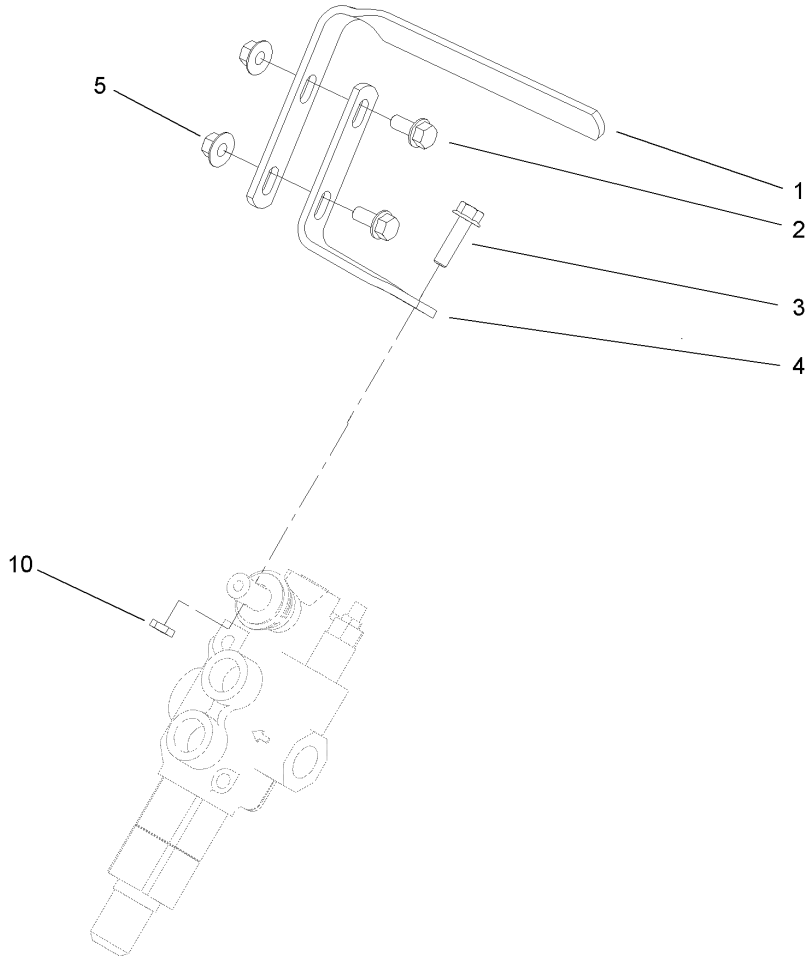




## Hydraulic Tank and Filter Assembly

Ref	Part No.	Qty.	Description
4	2412-129	2	Clamp-Hose
5	98-4745	1	Hose-HYD, Suction, Hi
6	340-74	2	Locknut-Bulkhead
7	68-6150	1	Breather
8	2412-36	2	Clamp-Hose
9	98-2708	1	Hose-Vent
11	354-127	1	Elbow-45 DEG
11:1	237-81	1	O-Ring
12	92-5821	1	Filter Head ASM
13	93-7498	1	Plug-Plastic
14	237-123	1	O-Ring
15	354-126	1	Fitting-HYD, 45 DEG
15:1	237-79	1	O-Ring
16	105-8394	1	Bulkhead Coupler ASM
16:1	237-65	1	O-Ring
●16:2	105-8396	1	Seal Kit
17	100-8816	1	Cap-Dust, Coupler
18	100-8815	1	Cap-Dust, Nipple
19	105-8395	1	Bulkhead Nipple ASM
19:1	237-65	1	O-Ring
●19:2	100-6120	1	Seal Kit
20	61-2790	1	Filter-Screen
21	100-2097	1	Dipstick-Oil
22	98-9906	1	Fitting-Thread, Straight

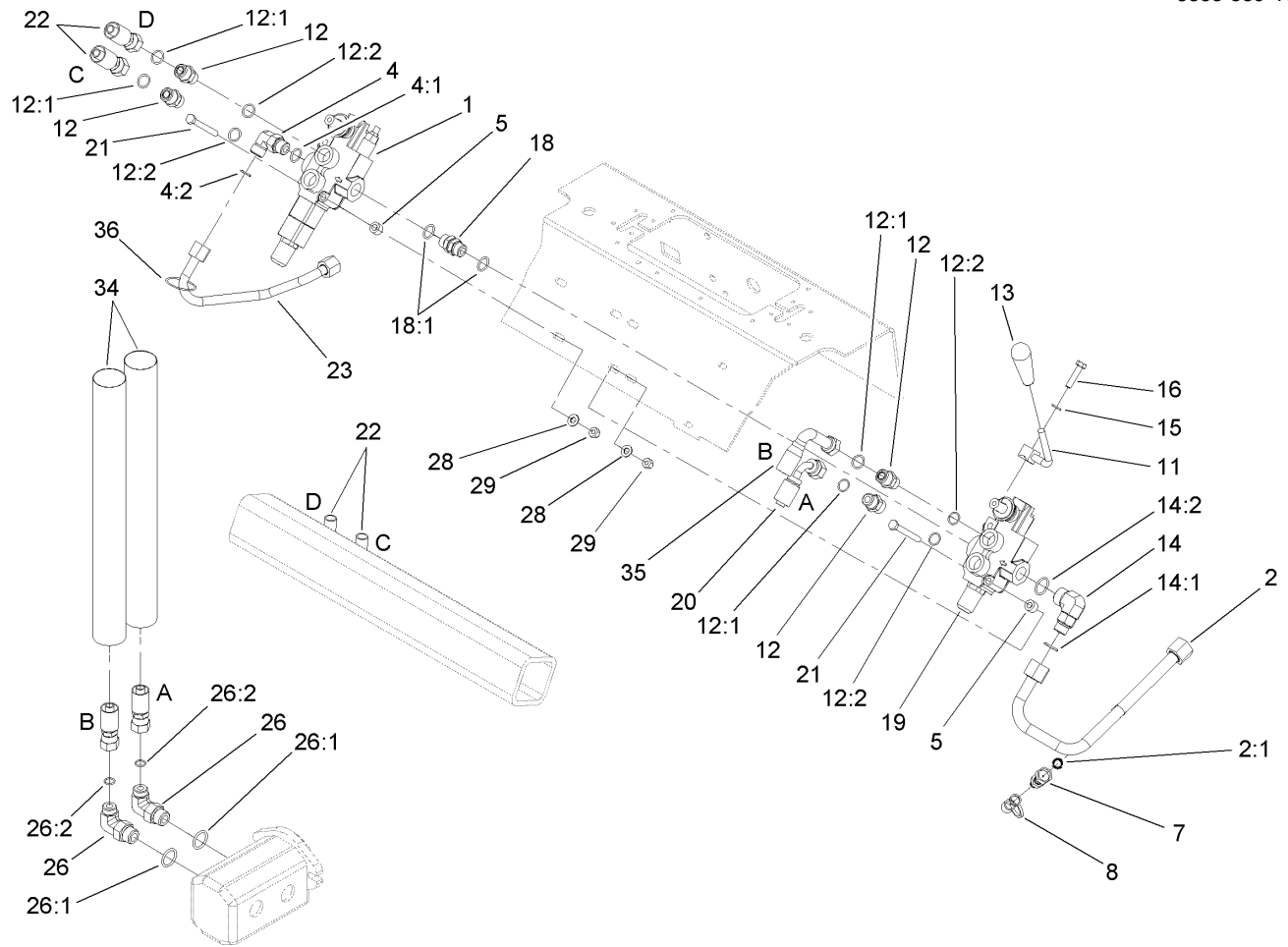
Ref	Part No.	Qty.	Description
22:1	237-81	2	O-Ring
23	54-0110	1	Filter-Oil, Transmission
24	98-9927	1	Gasket-Cover
25	100-1713-01	1	Cover ASM
26	98-9940	10	Screw
27	353-988	1	Plug-Hex
27:1	237-79	1	O-Ring
28	98-4675-01	2	Lock-Cylinder
29	3290-467	2	Pin-Hair
30	283-52	2	Pin-Clevis



### Auxiliary Control Lever Assembly

Ref	Part No.	Qty.	Description
1	98-9090	1	Grip-Control
2	3234-5	2	Screw-HHF
3	33104-030	1	Screw-HHF
4	99-1376	1	Mount-Control
5	32128-44	2	Nut
10	33014-00	1	Nut-Hex

--	--	--	--



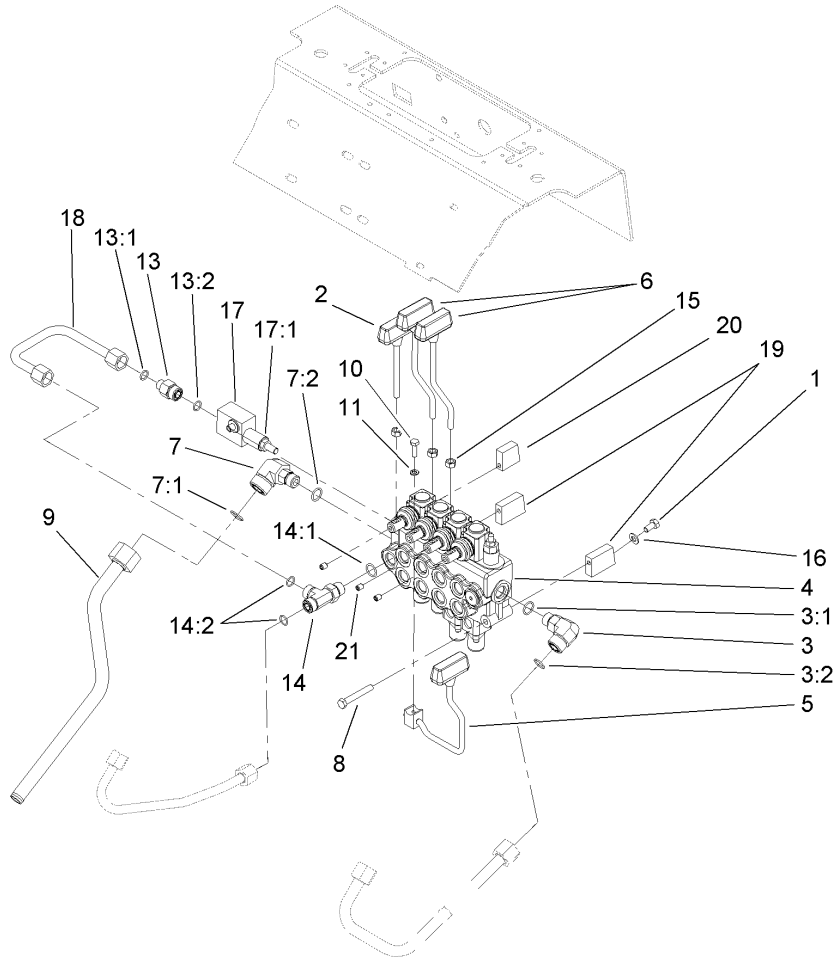
## Hydraulic Valve Assembly

Ref	Part No.	Qty.	Description
1	99-3077	1	Valve-HYD, Auxiliary
2	108-4716	1	HYD Tube ASM
2:1	237-22	1	O-Ring
4	340-98	1	Fitting-HYD, 90 DEG
4:1	237-79	1	O-Ring
4:2	237-30	1	O-Ring
5	98-4695	4	Spacer
7	86-5480	1	Nipple-Test
8	354-79	1	Cap-Dust
11	108-9709-03	1	Lever-Control
12	340-4	4	Fitting-HYD, Straight
12:1	237-30	1	O-Ring
12:2	237-79	1	O-Ring
13	98-0152	1	Knob-Tapered
14	340-153	1	Fitting-Elbow, 90 DEG
14:1	237-79	1	O-Ring
14:2	237-151	1	O-Ring
15	3253-4	1	Washer-Lock
16	33114-035	1	Screw-HH
18	95-3209	1	Fitting-Thread, Straight
18:1	237-79	2	O-Ring
19	99-3072	1	Valve-Selector
20	98-4747	1	HYD Hose ASM
21	322-13	4	Screw-HH

Ref	Part No.	Qty.	Description
22	100-8817	2	HYD Hose ASM
23	105-7879	1	Tube-HYD
26	340-105	2	Fitting-HYD, 90 DEG
26:1	237-80	1	O-Ring
26:2	237-30	1	O-Ring
28	3256-23	4	Washer-Flat
29	3296-29	4	Nut-Lock, NI
34	100-8818	2	Sleeve-Guard, Hose
35	99-3008	1	HYD Hose ASM
36	3290-379	8	Tie-Cable





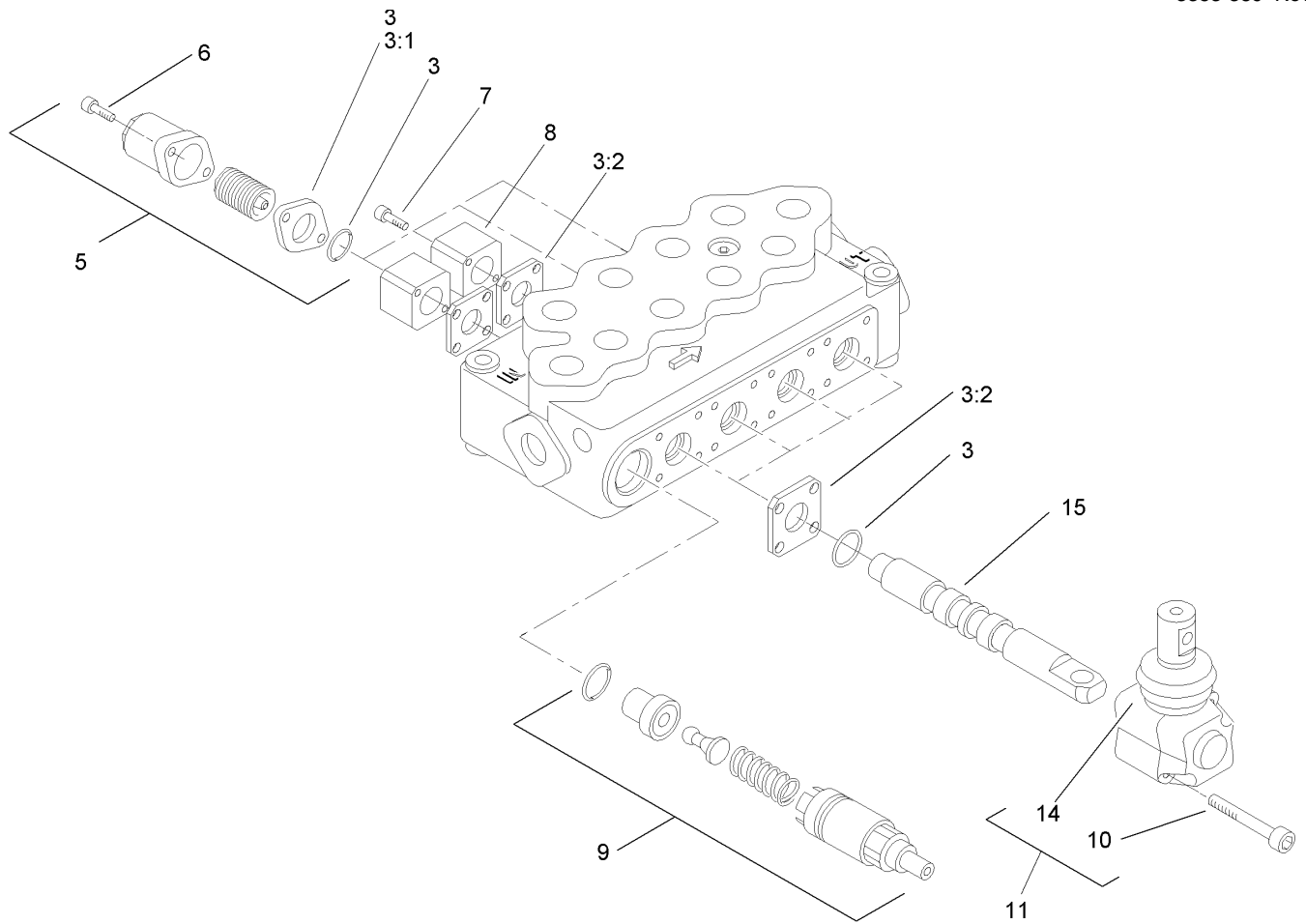


### 4-Spool Valve Assembly

Ref	Part No.	Qty.	Description
1	322-2	3	Screw-HH
2	105-7881	1	Cylinder Lever ASM
3	340-153	1	Fitting-Elbow, 90 DEG
3:1	237-79	1	O-Ring
3:2	237-151	1	O-Ring
4	105-8377	1	Valve-HYD, Four Spool
5	106-8165	1	Control Lever ASM
6	104-5733	2	Drive Lever ASM
7	92-5696	1	Fitting-HYD, 90 DEG
7:1	237-58	1	O-Ring
7:2	237-79	1	O-Ring
8	322-11	3	Screw-HH
9	106-8177	1	Line-Hydraulic, Tank
10	321-5	1	Screw-HH
11	3253-3	1	Washer-Lock
13	340-5	1	Fitting-Straight
13:1	237-42	1	O-Ring
13:2	237-30	1	O-Ring
14	340-109	1	Fitting-HYD, Tee
14:1	237-79	1	O-Ring
14:2	237-30	2	O-Ring
15	33014-00	3	Nut-Hex
16	3256-23	3	Washer-Flat
17	105-7882	1	Relief Valve ASM

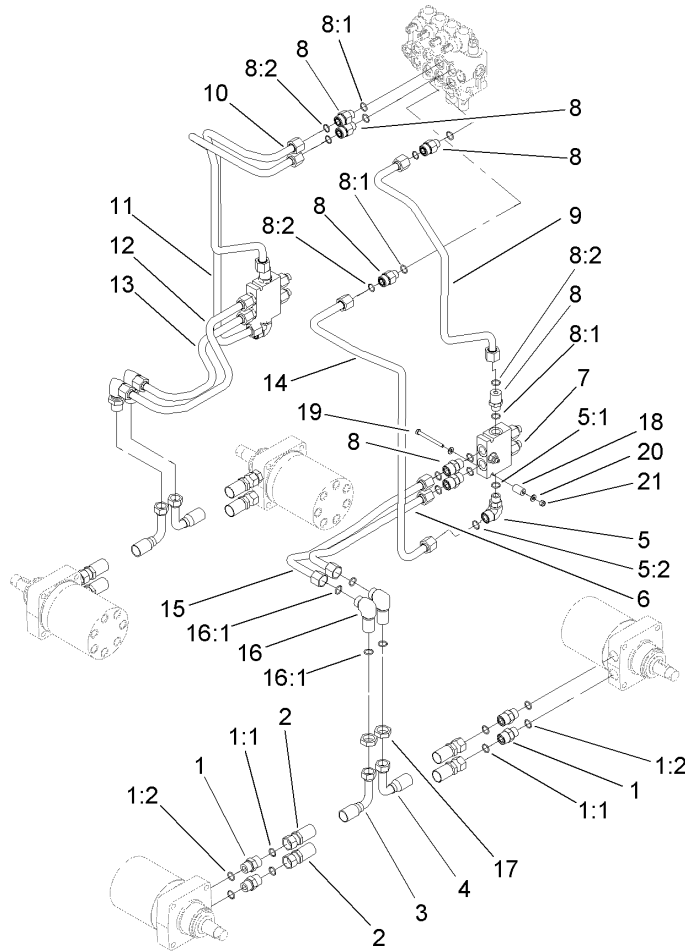
Ref	Part No.	Qty.	Description
17:1	105-8358	1	Cartridge-Valve, Relief
●17:2	105-8357	1	Seal Kit
18	108-4717	1	HYD Tube ASM
19	108-4728	2	Spacer
20	105-7870	1	Spacer-Upper
21	105-4068	3	Screw-Set, HSH





## 4-Spool Valve Assembly No. 105-8377

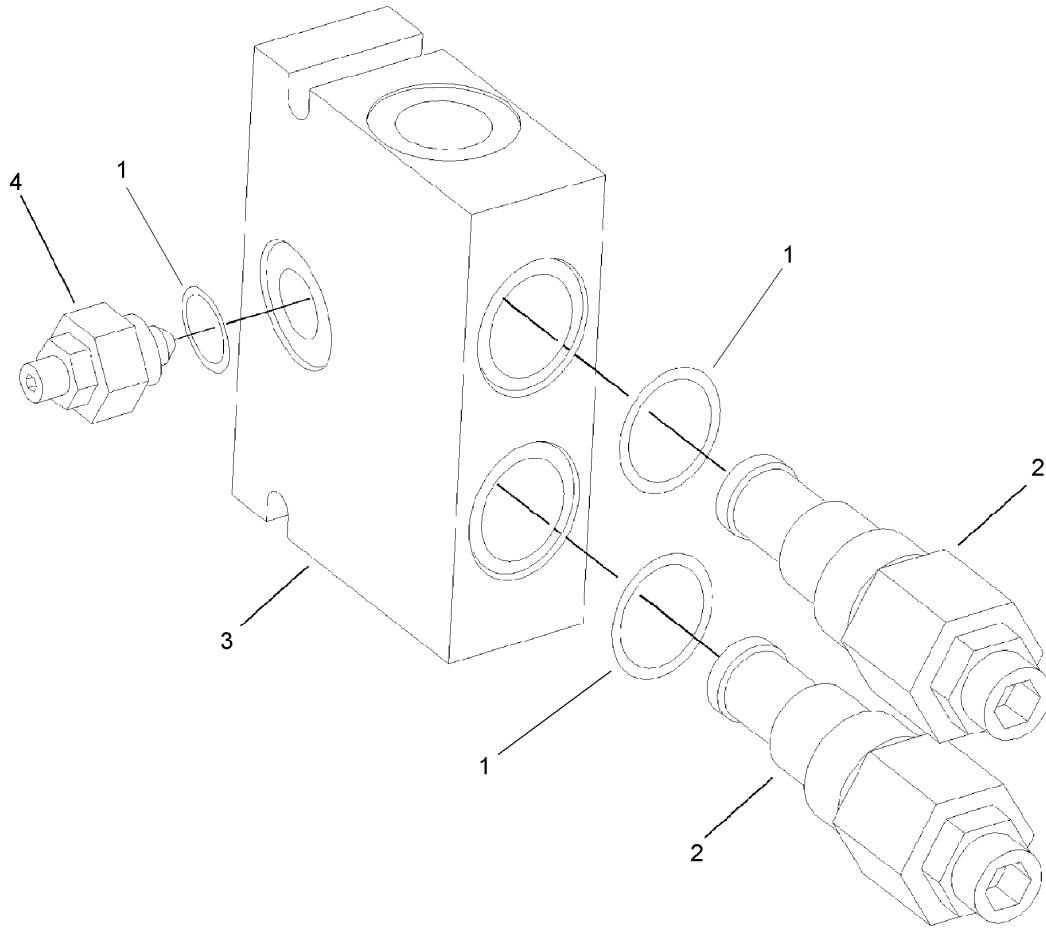
Ref	Part No.	Qty.	Description
3	99-4390	1	Seal Kit
3:1	99-3074	4	Gasket
3:2	99-3075	8	Gasket
5	100-8801	4	High Force Spring Kit
5	100-8800	4	Standard Spring ASM
6	100-8802	8	Screw-Cap, End
7	100-8803	4	Screw
8	100-8804	2	Block-Mount, Switch
9	100-8805	1	Valve-Relief
10	100-8806	8	Screw
11	100-8807	4	Operator ASM
14	100-8829	4	Boot
15	105-8441	4	Spool-Valve



## Hydraulic Motor Assembly

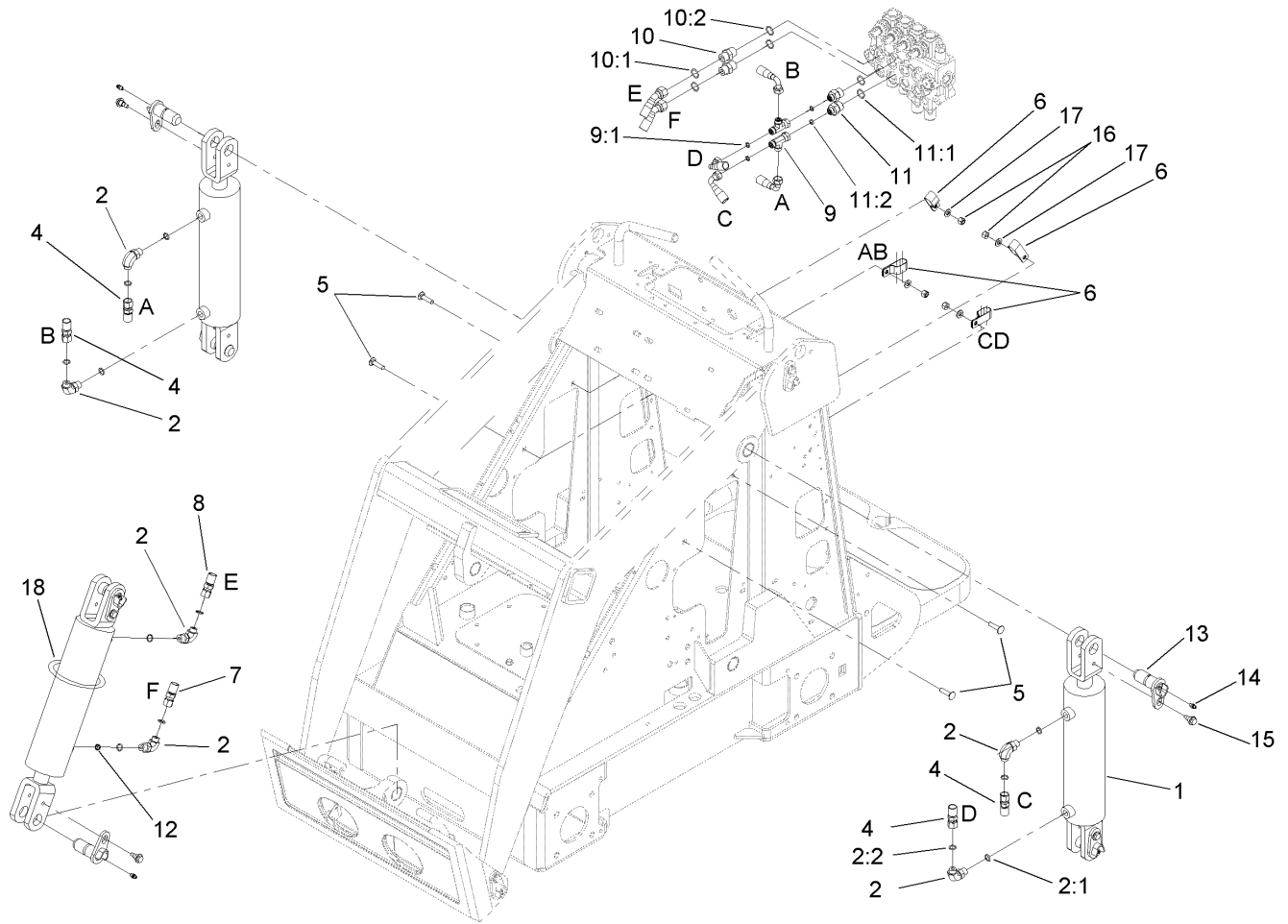
Ref	Part No.	Qty.	Description
1	340-7	8	Adapter
1:1	237-65	1	O-Ring
1:2	237-80	1	O-Ring
2	99-3012	2	HYD Hose ASM
3	99-3010	2	HYD Hose ASM
4	99-3011	2	HYD Hose ASM
5	340-153	2	Fitting-Elbow, 90 DEG
5:1	237-79	1	O-Ring
5:2	237-151	1	O-Ring
6	99-3022	1	HYD Tube ASM
7	99-3040	2	Valve-Counterbalance
8	340-155	10	Fitting-HYD, Straight
8:1	237-79	1	O-Ring
8:2	237-151	1	O-Ring
9	105-7898	1	Line-Hydraulic (Left B)
10	105-7899	1	Line-Hydraulic (Right B)
11	105-7897	1	Line-Hydraulic (Right A)
12	99-3025	1	HYD Tube ASM
13	99-3028	1	HYD Tube ASM
14	105-7896	1	Line-Hydraulic (Left A)
15	99-3026	1	HYD Tube ASM
16	340-72	4	Fitting-Bulkhead, 90 DEG
16:1	237-65	2	O-Ring
17	340-74	4	Locknut-Bulkhead

Ref	Part No.	Qty.	Description
18	99-3057	2	Spacer-Valve
19	321-23	2	Screw-HH
20	3256-22	4	Washer-Flat
21	3296-42	2	Nut-Lock, NI



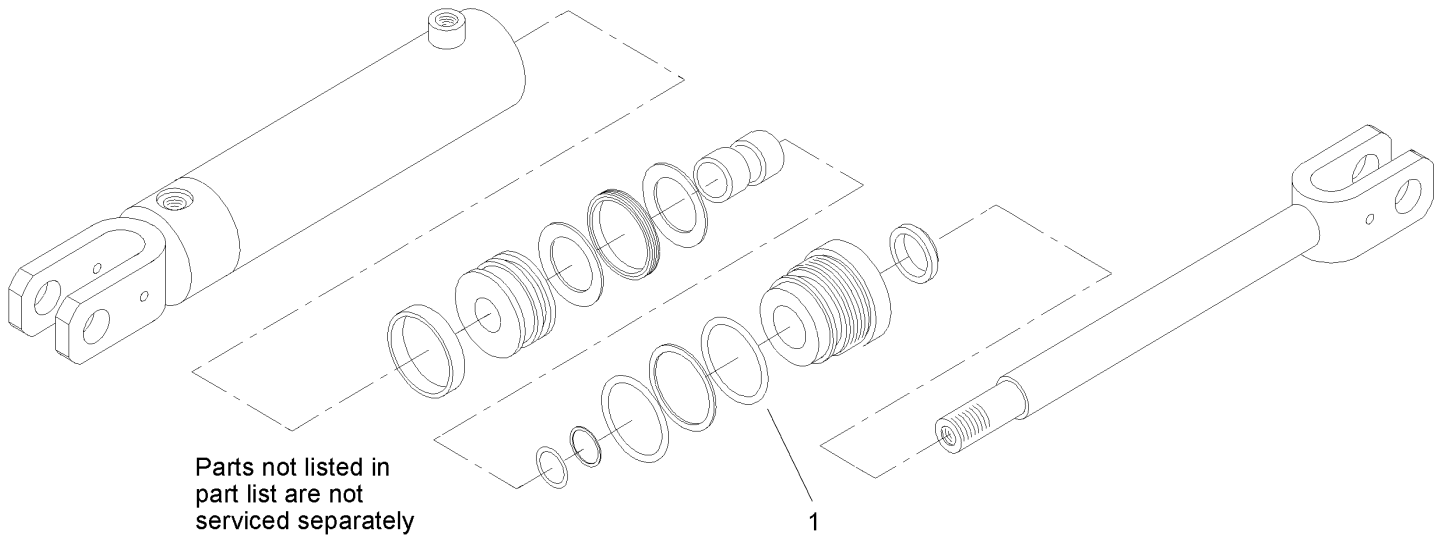
### Counterbalance Valve Assembly No. 99-3040

Ref	Part No.	Qty.	Description
1	105-4099	1	Seal Kit
2	99-3271	2	Valve-Cartridge
3	100-8864	1	Manifold ASM
4	100-8865	1	Needle Valve ASM

## Hydraulic Cylinder Assembly

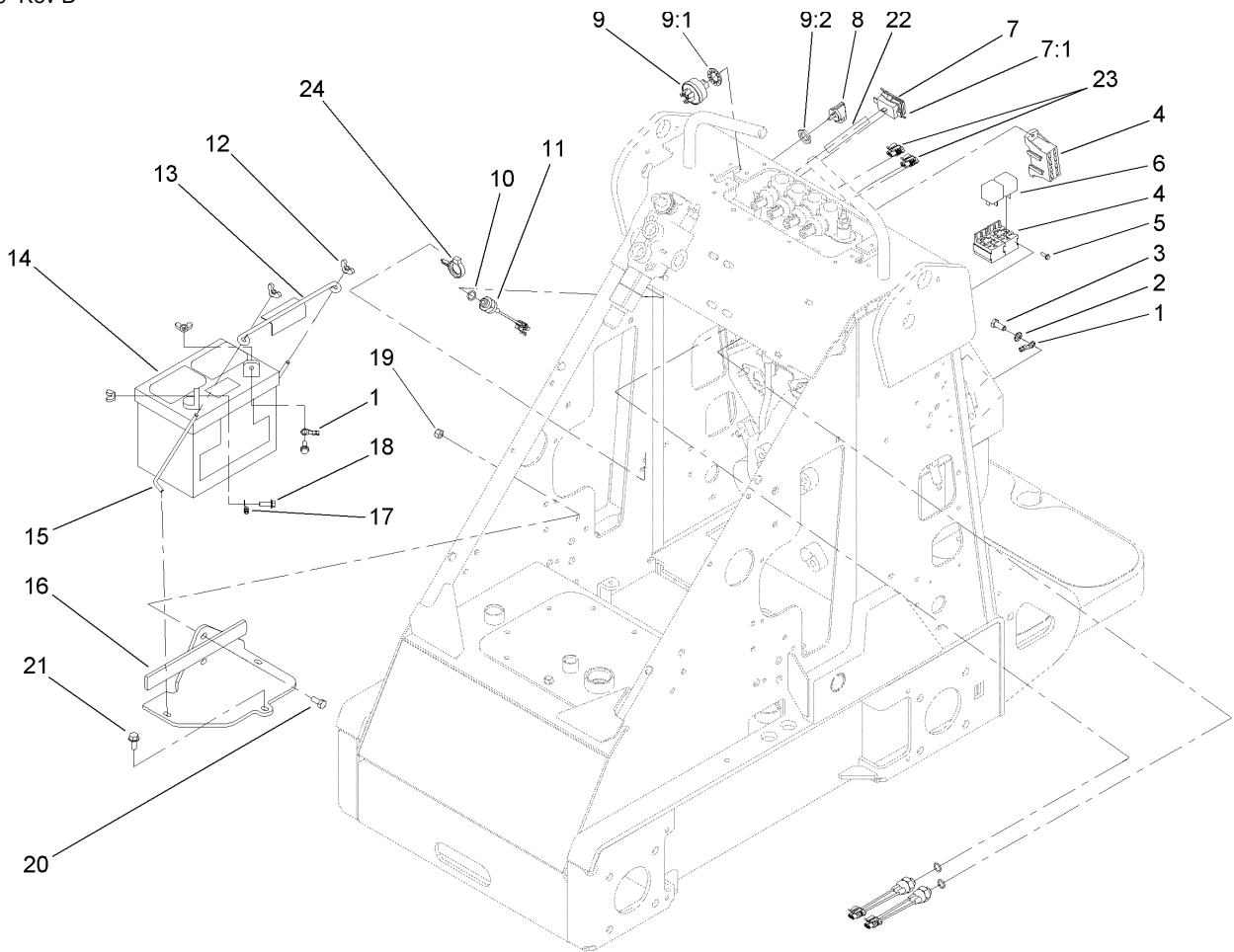
Ref	Part No.	Qty.	Description
1	105-7867	3	Cylinder-HYD
2	340-82	6	Adapter
2:1	237-42	1	O-Ring
2:2	237-21	1	O-Ring
4	98-4725	4	Hose-HYD
5	3230-3	4	Screw-CARR
6	2412-137	4	Clamp-Tube
7	98-4726	1	Hose-HYD
8	98-4727	1	Hose-HYD
9	340-151	2	Fitting
9:1	237-75	3	O-Ring
10	340-3	2	Adapter
10:1	237-22	1	O-Ring
10:2	237-79	1	O-Ring
11	340-133	2	Adapter
11:1	237-79	1	O-Ring
11:2	237-21	1	O-Ring
12	108-4714	1	Orifice-Port Insert, One Way
13	99-1414	6	Pin-Pivot
14	302-5	6	Fitting-Grease
15	99-5105	6	Bolt-Shoulder
16	3296-29	4	Nut-Lock, NI
17	3256-23	4	Washer-Flat
18	3334-945	1	Tie-Cable

### Hydraulic Cylinder Assembly No. 105-7867

Ref	Part No.	Qty.	Description
1	105-8356	1	Seal Kit

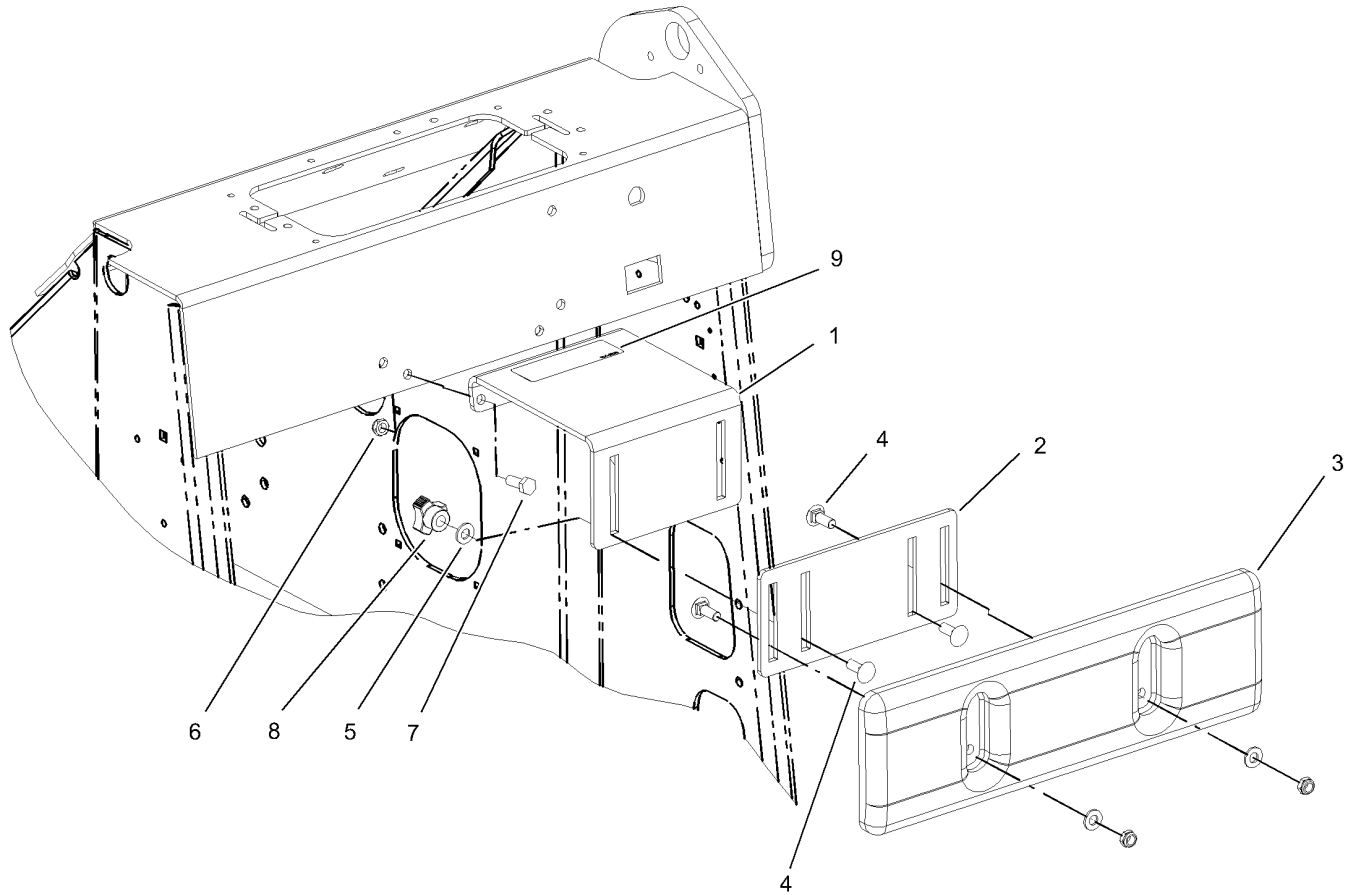
Ref	Part No.	Qty.	Description
-----	----------	------	-------------



## Electrical Component Assembly

Ref	Part No.	Qty.	Description
1	111075	1	Wire ASM
2	3255-8	1	Washer-Lock
3	33114-020	1	Screw-HH
4	104-7411	1	Harness-Wire
5	32144-87	3	Screw-Forming, Thread
6	98-7249	2	Relay
7	105-4067	1	Hourmeter-Inductive
7:1	104-4234	1	Clip-Mounting
8	63-8360	2	Key-Ignition
9	111216	1	Ignition Switch ASM
9:1	9201604	1	Washer-Lock, Int
9:2	101884	1	Nut
10	237-42	3	O-Ring
11	72-4310	3	Switch-Ball
12	32103-22	4	Nut-Wing
13	113010	1	Holddown-Battery
14	104-2492	1	Battery
15	99-5027	2	Retainer-Battery
16	99-3060-03	1	Battery Mount ASM
17	100-1712	1	Cable-Positive
18	3234-4	2	Screw-HHF
19	3296-29	2	Nut-Lock, NI
20	322-4	2	Screw-HH
21	32144-70	1	Screw-HH

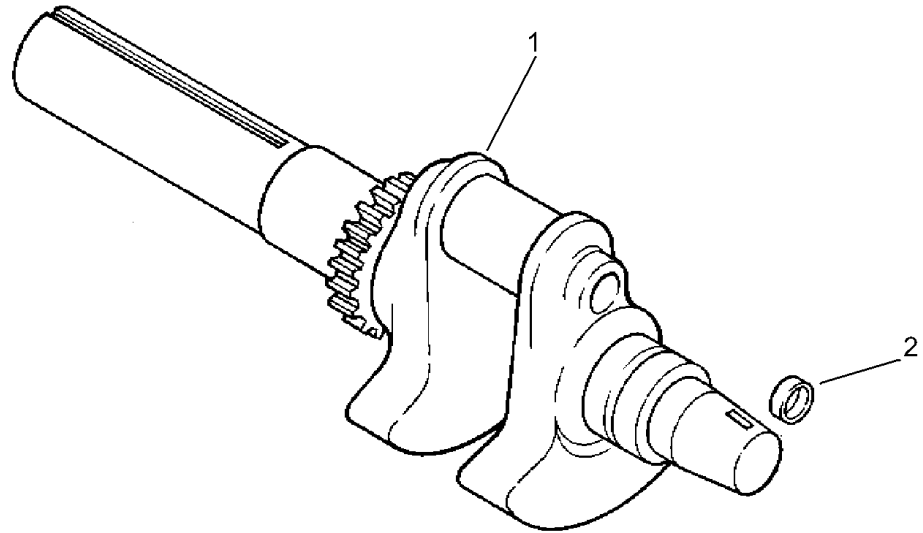
Ref	Part No.	Qty.	Description
22	104-7408	1	Wire-Hourmeter
23	99-1433	2	Connector-Female
24	105-1853	1	Clamp-Hose
●99	3290-381	5	Tie-Cable



### Thigh Support Assembly

Ref	Part No.	Qty.	Description
1	105-0297-03	1	Thigh Support ASM
2	105-0337-03	1	Plate-Adjusting
3	105-0333	1	Support-Thigh
4	3230-16	4	Screw-CARR
5	3256-70	4	Washer-Flat
6	3296-72	4	Nut-Lock, NI
7	322-4	2	Screw-HH
8	104-6156	2	Knob-Adjustment
9	104-6108	1	Decal-Read Manual

--	--	--	--

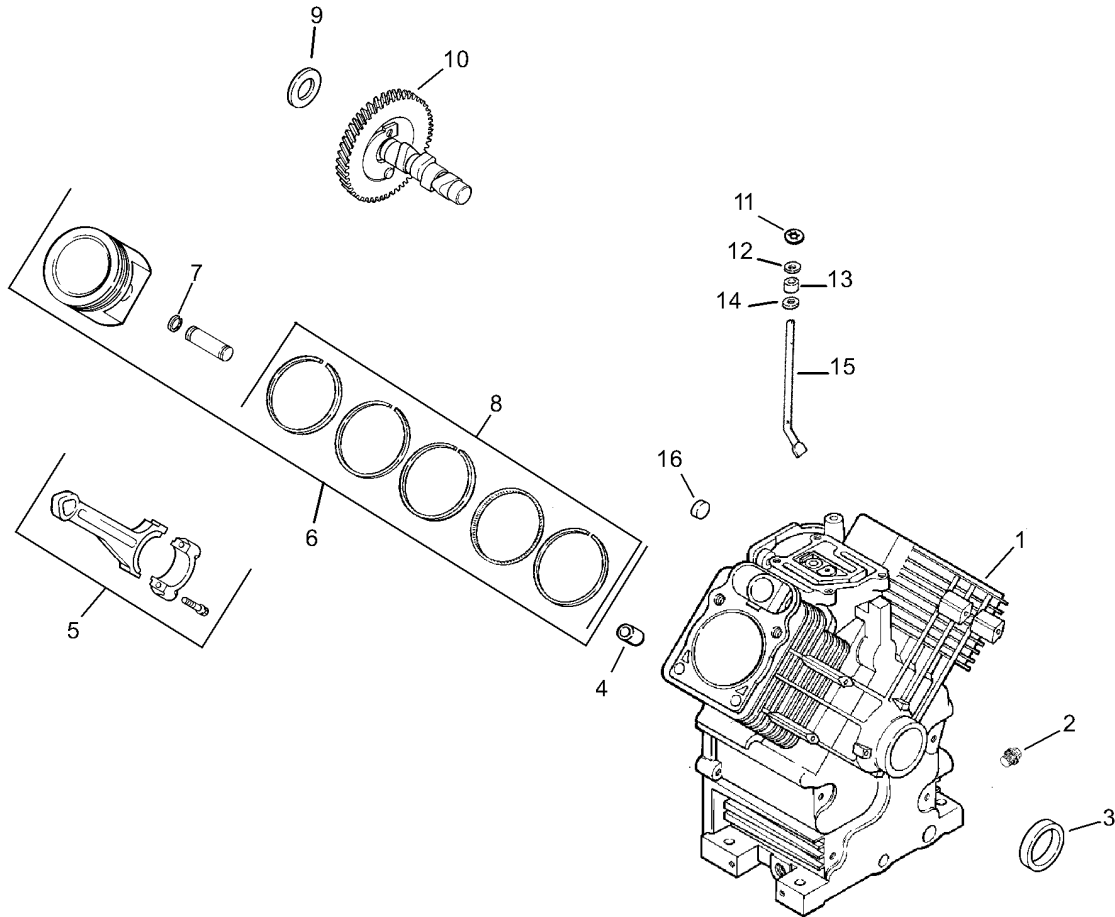


### Crankshaft Assembly Kohler CH23S-76549

Ref	Part No.	Qty.	Description
1	24 014 90-S	1	Crankshaft Assembly (Includes 2)
2	52 139 09-S	1	Plug-Cup

--	--	--	--

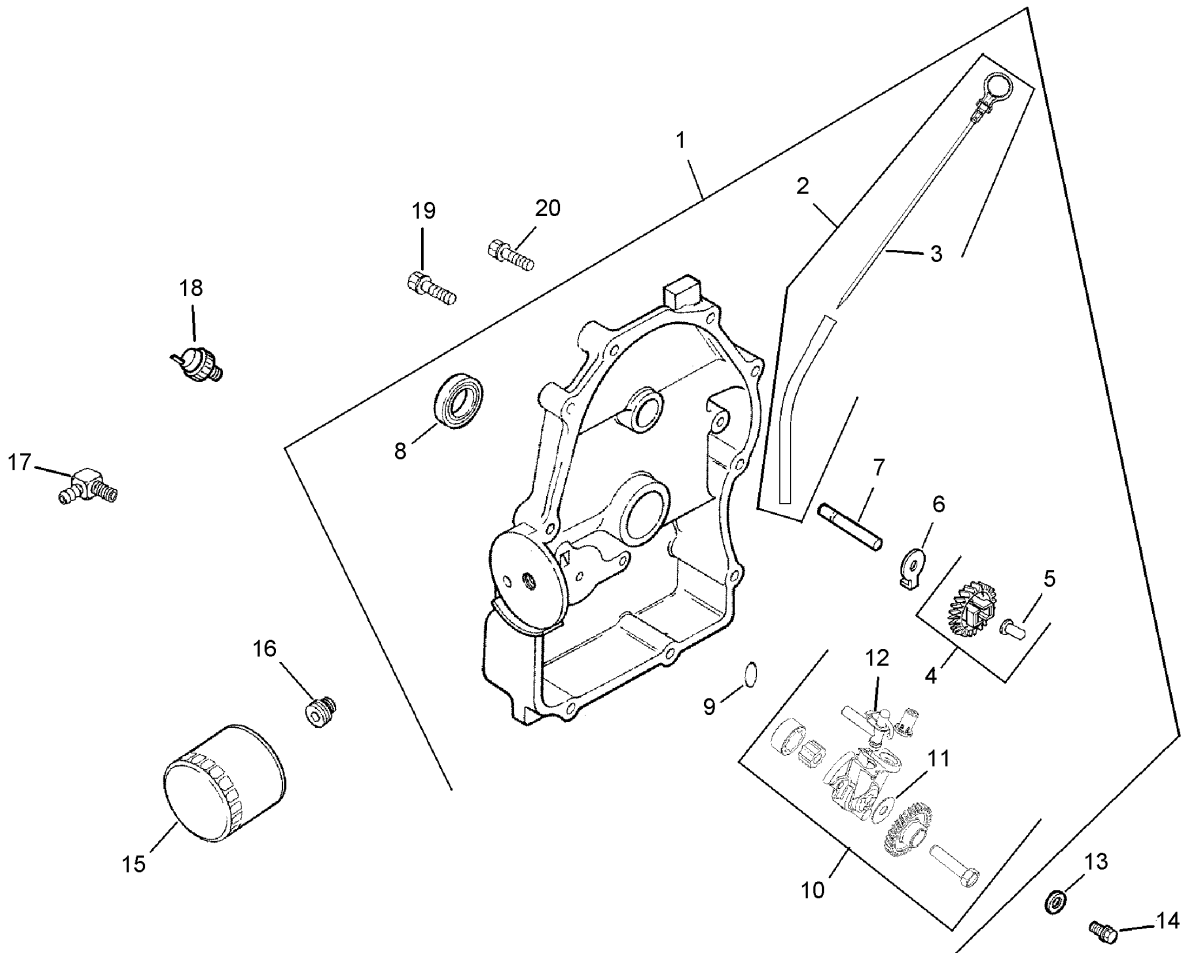




## Crankcase Assembly Kohler CH23S-76549

Ref	Part No.	Qty.	Description
1		1	Crankcase(Use: Miniblock24 782 15)
2	25 139 57-S	2	Plug-SQH (3/8In NPTF)
3	24 032 01-S	1	Seal-Oil, Front
4	24 380 13-S	6	Pin-Locating
5	24 067 13-S	2	Rod-Connecting (STD.)
6	24 067 14-S	2	Rod-Connecting (.25)
7	24 874 09-S	2	Piston W/Ring Set (STD.)(Includes 7, 8)
8	24 874 10-S	2	Piston W/Ring Set (.25)(Includes 7, 8)
9	24 874 11-S	2	Piston W/Ring Set (.50)(Includes 7, 8)
10	24 874 15-S	2	Piston W/Ring Set (.080)(Includes 7, 8)
11	24 018 01-S	4	Retainer-Pin, Piston
12	24 108 08-S	2	Ring Set (STD. And .08)
13	24 108 09-S	2	Ring Set (.25)
14	24 108 10-S	2	Ring Set (.50)
15	12 422 09-S	0	Shim-Camshaft, Red
16	12 422 13-S	0	Shim-Camshaft, Black
17	12 422 07-S	0	Shim-Camshaft, White
18	12 422 08-S	0	Shim-Camshaft, Blue
19	12 422 10-S	1	Shim-Camshaft, Yellow
20	12 422 11-S	0	Shim-Camshaft, Green

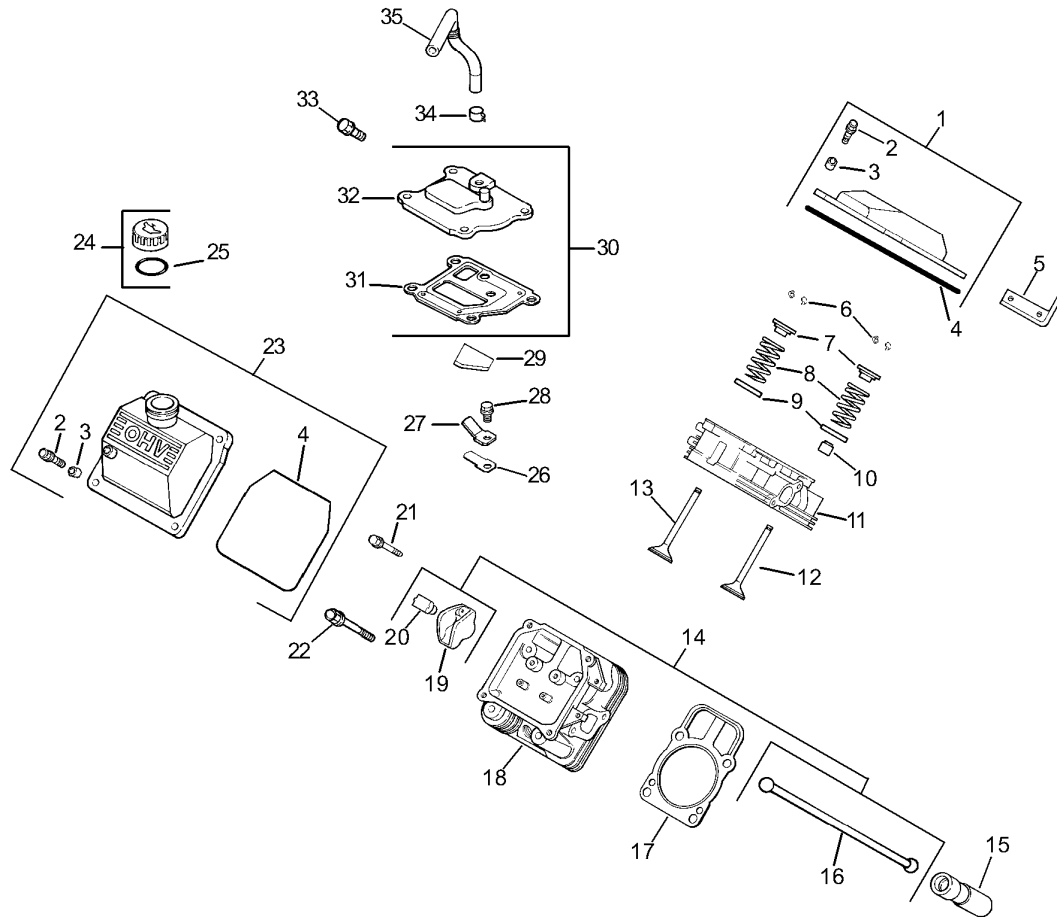
Ref	Part No.	Qty.	Description
21	12 422 12-S	0	Shim-Camshaft, Gray
22	24 012 10-S	1	Camshaft
23	24 018 09-S	1	Retainer-Ring
24	M-931010-S	1	Washer-Plain (9Mm)
25	28 032 09-S	1	Seal-Cross Shaft, Governor
26	24 468 15-S	1	Washer-Flat (1/4In)
27	24 144 38-S	1	Shaft-Cross, Governor
28	52 139 09-S	1	Plug-Cup



## Oil Pan / Lubrication Assembly Kohler CH23S-76549

Ref	Part No.	Qty.	Description
❶	24 009 82-S	1	Kit, Closure Plate
❷	24 755 121-S	1	Dipstick Tube ASM
❸	24 038 10-S	1	Dipstick
❹	24 043 12-S	1	Governor Gear Kit
❺	12 380 01-S	1	Pin-Regulating, Governor
❻	52 448 02-S	1	Tab-Locking
❼	12 144 02-S	1	Shaft-Gear, Governor
❽	52 032 08-S	1	Seal-Oil (PTO End)
❾	24 153 08-S	2	O-Ring
❿	24 393 10-S	1	Oil Pump ASM
⓫	24 153 01-S	1	O-Ring (Oil Pick Up)
⓬	24 381 04-S	1	Pick Up-Oil
⓭	M-631005-S	2	Washer-Plain (6Mm)
⓮	M-645025-S	2	Screw-HF (M6X1.0X25)
⓯	52 050 02-S	1	Filter-Oil
⓰	24 136 01-S	1	Nipple-Filter, Oil
⓱	25 155 02-S	1	Connector
⓲	24 099 03-S	1	Switch-Pressure
⓳	24 086 16-S	9	Screw-HF (M8X1.25X45)
⓴	24 086 17-S	1	Screw-HF (M8X1.25X45)

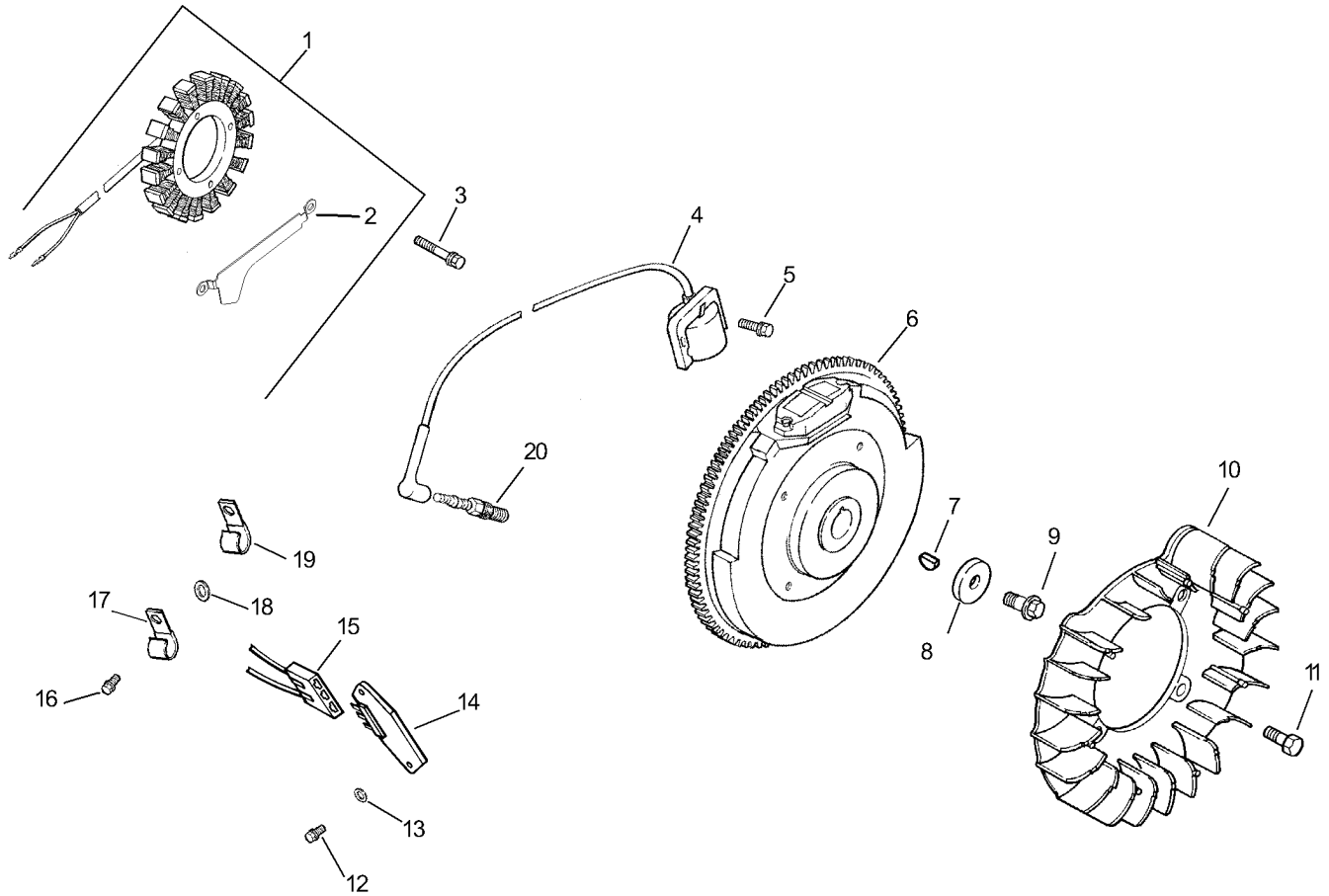
--	--	--	--



## Head / Valve / Breather Assembly Kohler CH23S-76549

Ref	Part No.	Qty.	Description
❶	24 755 74-S	1	Plain Valve Cover Kit (Includes 2-4)
❷	M-651030-S	4	Screw-HF (M6X1.0X30)
❸	24 112 08-S	4	Spacer
❹	24 153 23-S	1	O-Ring
❺	24 445 01-S	1	Strap-Lifting
❻	12 755 03-S	4	Retainer Kit
❼	12 173 01-S	4	Cap-Spring, Valve
❽	24 089 02-S	4	Spring-Valve
❾	235011-S	4	Retainer-Spring
❿	66 032 05-S	2	Seal-Stem, Valve
⓫	24 318 68-S	1	No. 1 Cylinder Head ASM
⓬	24 017 01-S	2	Valve-Intake (STD.)
⓭	24 017 02-S	2	Valve-Intake (.25)
⓮	24 016 01-S	2	Valve-Exhaust (STD.)
⓯	24 016 02-S	2	Valve-Exhaust (.25)
⓰	24 755 66-S	1	Train Valve Kit (Includes 16, 19, 20)
⓱	25 351 01-S	4	Lifter-Valve
⓲	24 411 05-S	4	Rod-Push
⓳	24 041 40-S	2	Gasket-Cylinder Head
⓴	24 318 71-S	1	No. 2 Cylinder Head ASM
⓵	25 186 01-S	4	Arm-Rocker
⓶	24 599 01-S	4	Pivot-Arm, Rocker

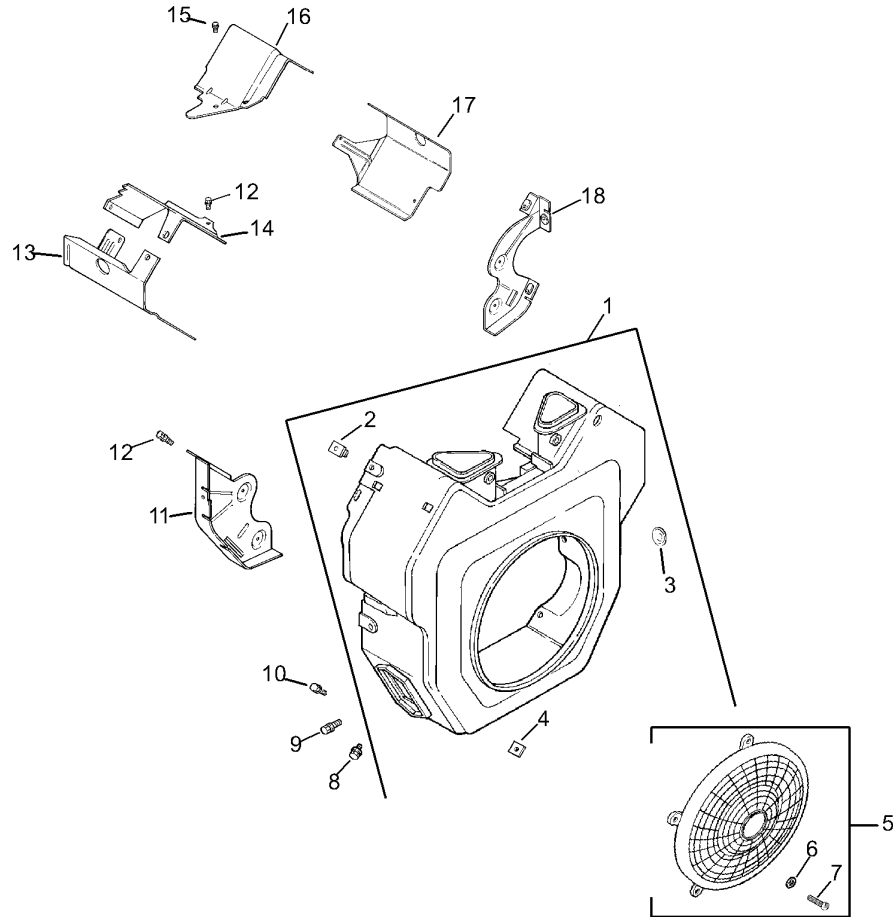
Ref	Part No.	Qty.	Description
⓷	M-640034-S	8	Screw-HF (M6X1.0X34)
⓸	24 072 09-S	8	Stud-Head, Cylinder
⓹	24 468 16-S	8	Washer
⓺	24 100 10-S	8	Nut-HF (M8X1.25)
⓻	24 755 75-S	1	Oil Fill Valve Cover Kit (Includes 2-4)
⓼	24 755 46-S	1	Oil Fill Cap Kit (Includes 27)
⓽	25 153 02-S	1	O-Ring
⓾	24 402 03-S	1	Reed-Breather
⓿	12 018 01-S	1	Retainer-Reed, Breather
⓿	M-545010-S	1	Screw-HF (M5X0.8X10)
⓿	24 050 01-S	1	Filter-Breather
⓿	24 033 01-S	1	Breather Kit (Includes 32-34)
⓿	24 041 23-S	1	Gasket-Breather
⓿	24 096 86-S	1	Cover-Breather
⓿	M-645020-S	4	Screw-HF (M6X1.0X20)
⓿	25 237 08-S	2	Clamp-Hose
⓿	24 326 31-S	1	Hose-Breather



## Ignition / Electrical Assembly Kohler CH23S-76549

Ref	Part No.	Qty.	Description
❶	54 755 09-S	1	15 Amp Stator Kit (Includes 2)
❷	24 126 71-S	1	Bracket-Wire, Stator
❸	M-548025-S	2	Screw (M5X0.8X25)
❹	24 584 01-S	2	Module-Ignition
❺	M-545020-S	4	Screw-HF (M5X0.8X20)
❻	24 025 01-S	1	Flywheel
❼	X-42-15-S	1	Key
❽	12 468 03-S	1	Washer-Plain (3/8In)
❾	12 086 14-S	1	Screw-HF (M10X1.5X46)
❿	24 157 07-S	1	Fan
⓫	25 086 47-S	4	Bolt-Shoulder (M6X1.0X16)
⓬	24 086 18-S	2	Screw-Head, Phillips
⓭	X-25-92-S	2	Washer-Plain
⓮	25 403 03-S	1	Rectifier-Regulator, 15 Amp
⓯	236602-S	1	Connector
⓰	25 086 91-S	2	Screw
⓱	235173-S	1	Clip-Cable
⓲	X-25-63-S	1	Washer-Plain (1/4In)
⓳	48 154 02-S	1	Clip-Cable
⓴	12 132 06-S	2	Spark Plug
⓵	X-22-11-S	1	Washer-Lock (1/4In)
⓶	24 176 08-S	1	Harness-Wiring
⓷	24 518 12-S	1	Lead-Black (5In, 12 Gauge)
⓸	25 454 03-S	2	Tie-Cable

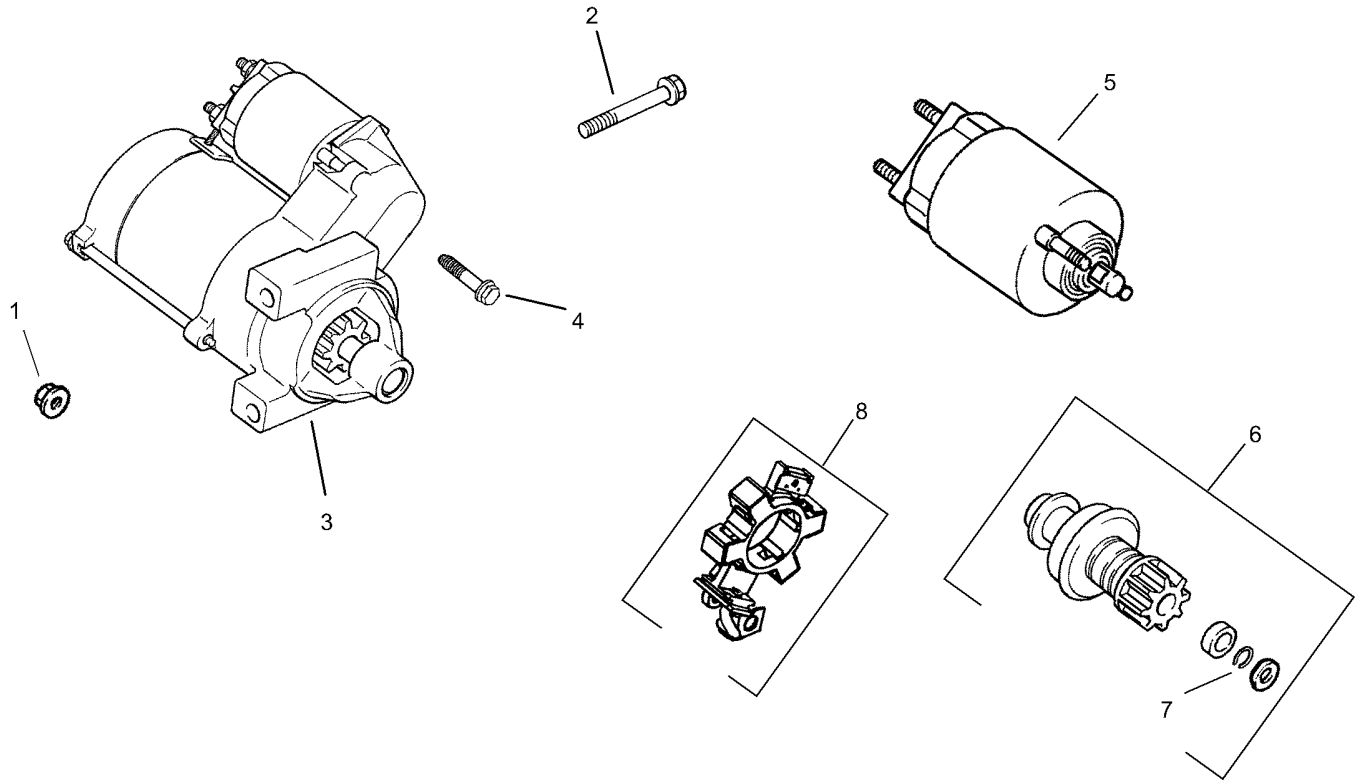
Ref	Part No.	Qty.	Description
⓵	25 113 24-S	1	Decal-Screen, Grass



## Blower Housing Assembly Kohler CH23S-76549

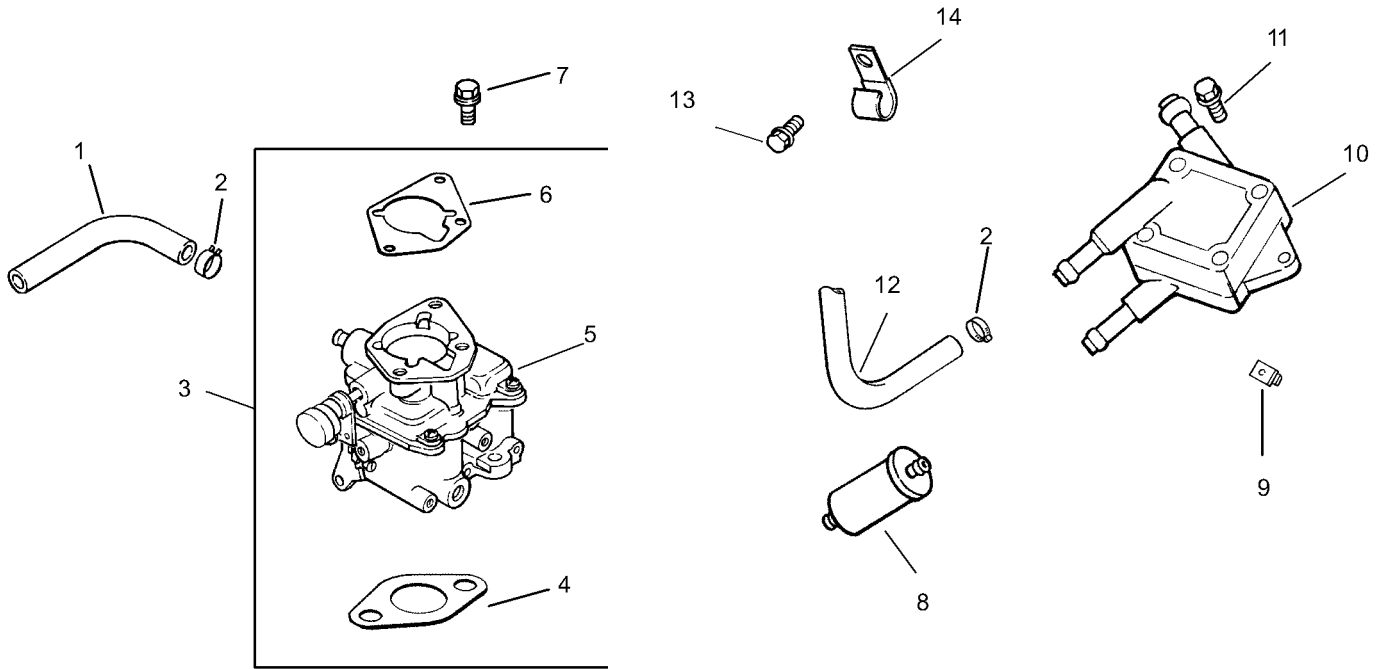
Ref	Part No.	Qty.	Description
❶	24 027 196-S	1	Blower Housing ASM (Includes 2-4 And 24 096 85-S)
❷	24 100 02-S	2	Nut-Plastic
❸	24 100 01-S	3	Nut-Plastic
❹	25 086 43-S	1	Screw-Set
❺	24 755 81-S	1	Kit, Fixed Guard (Includes 6, 7, 24 332 01-S And 24 113 18-S)
❻	M-551016-S	1	Screw-HF (M5X0.8X16)
❼	M-545016-S	3	Screw-HF (M5X0.8X16)
❽	M-545020-S	4	Screw-HF (M5X0.8X20)
❾	24 146 16-S	1	Plate-Backing, No. 2 Side
❿	M-645016-S	10	Screw-HF (M6X1.0X16)
⓫	24 063 20-S	1	Baffle-Cylinder Barrel, No. 2 Side
⓬	24 063 17-S	1	Baffle-Valley (No. 2 Side)
⓭	M-545010-S	2	Screw-HF (M5X0.8X10)
⓮	24 063 59-S	1	Baffle-Valley (No. 1 Side)
⓯	24 063 58-S	1	Baffle-Barrel, Cylinder (No. 1 Side)
⓰	24 146 20-S	1	Plate-Backing (No. 1 Side)
⓱	24 096 85-S	1	Cover-Housing, Blower
⓲	24 332 01-S	5	Insert-Threaded
⓳	24 113 18-S	1	Decal-Screen, Grass
⓴	24 113 96-S	1	Decal-22Hp

--	--	--	--



## Starter Assembly Kohler CH23S-76549

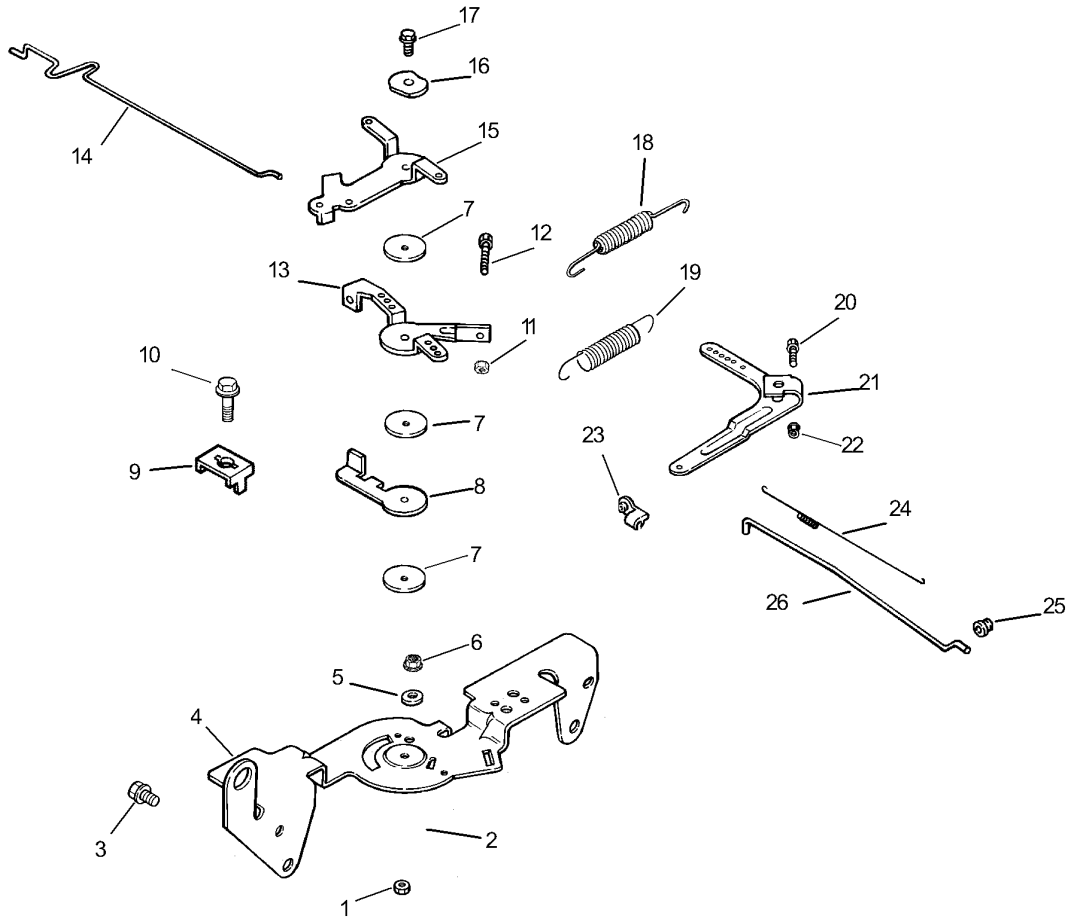
Ref	Part No.	Qty.	Description				
1	M-841080-S	1	Nut-HF (M8X1.25)				
2	M-839080-S	2	Screw-HF (M8X1.25X80)				
3	25 098 09-S	1	Starter ASM (Includes 4-8)				
4	25 086 113	3	Screw-External Torx Head				
5	25 435 05-S	1	Solenoid Kit (Includes 4)				
6	25 755 33-S	1	Pinion Drive Kit (Includes 7)				
7	25 141 05-S	1	Ring				
8	25 221 01-S	1	Brush Kit				



## Fuel System Assembly Kohler CH23S-76549

Ref	Part No.	Qty.	Description
1	25 353 32-S	1	Line-Fuel
2	25 237 14-S	6	Clamp
3	24 853 59-S	1	Carburetor Kit (Includes 4-6)
4	24 041 17-S	1	Gasket-Carburetor
5	24 053 59	1	Carburetor ASM
6	24 041 06-S	1	Gasket-Base, Air Cleaner
7	M-651030-S	2	Screw-HF (M6X1.0X30)
8	24 050 02-S	1	Filter-Fuel
9	25 353 15-S	1	Line-Fuel, 3-1/2"
10	24 100 01-S	2	Nut-Plastic
11	24 393 16-S	1	Pump-Fuel
12	24 086 12-S	2	Screw
13	24 353 02-S	1	Line-Fuel
14	M-650012-S	1	Screw-HF (M6X1.0X12)
15	47 154 01-S	1	Clip-Cable
16	24 757 01-S	1	Solenoid Kit
17	24 757 02-S	1	Float Repair Kit
18	24 757 03-S	1	Carburetor Repair Kit
19	24 757 07-S	1	Choke Repair Kit
20	24 757 125-S	1	High Altitude Kit With Gaskets

--	--	--	--

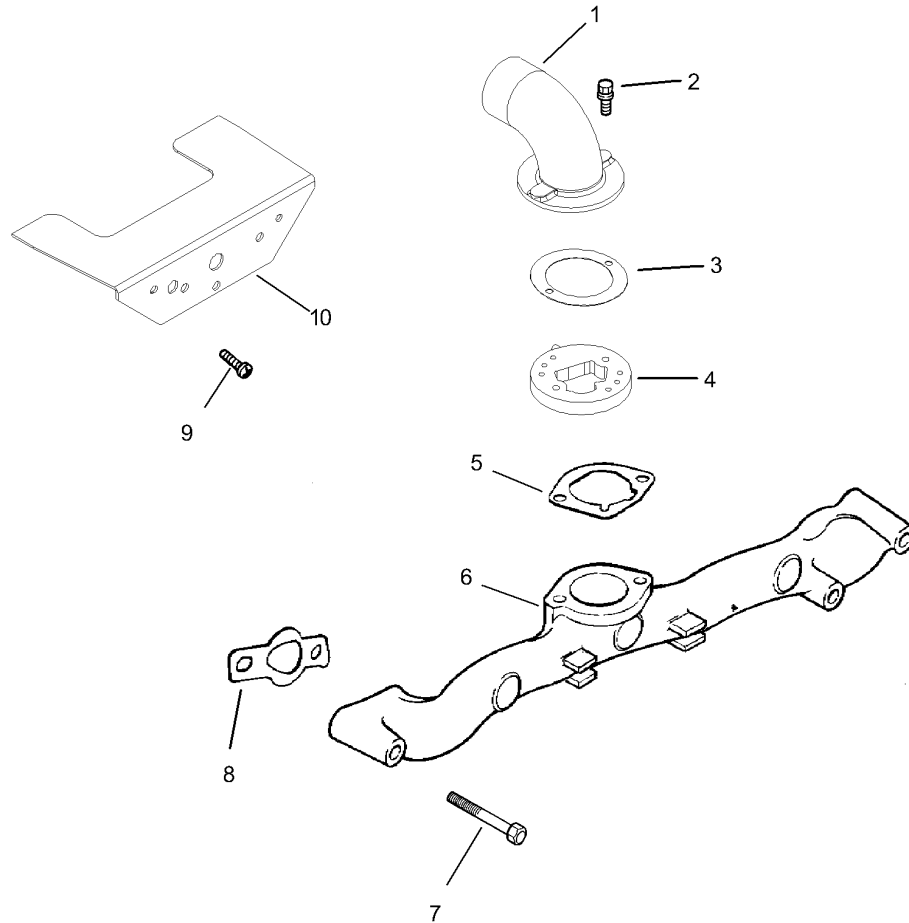


## Engine Control Assembly Kohler CH23S-76549

Ref	Part No.	Qty.	Description
❶	M-547050-S	1	Nut-Lock, Hex (M5X0.8)
❷	24 089 03-S	1	Spring-Return, Choke
❸	M-645016-S	4	Screw-HF (M6X1.0X16)
❹	24 126 56-S	1	Bracket-Control
❺	X-20-1-S	1	Washer-Lock (1/4In)
❻	M-541050-S	1	Nut-HF (M5X0.8)
❼	24 468 01-S	3	Washer-Plain
❽	24 090 07-S	1	Lever-Actuator, Throttle
❾	12 237 01-S	2	Clamp-Cable
❿	M-545016-S	3	Screw-HF (M5X0.8X16)
⓫	M-446030-S	1	Nut-HF (M4X0.7)
⓬	M-401030-S	1	Screw (M4X0.7X30)
⓭	24 090 03-S	1	Lever-Control, Throttle
⓮	24 079 21-S	1	Linkage-Choke
⓯	24 090 05-S	1	Lever-Choke
⓰	41 468 03-S	1	Washer
⓱	M-545020-S	1	Screw-HF (M5X0.8X20)
⓲	24 089 51-S	1	Spring-Limiter, Throttle
⓳	24 089 46-S	1	Spring-Governor
⓴	24 211 03-S	1	Bolt-Square Neck, Round Head
⓵	24 090 33-S	1	Lever-Governor
⓶	M-641060-S	1	Nut-HF
⓷	25 158 11-S	1	Bushing-Retaining, Linkage
⓸	24 089 01-S	1	Spring-Linkage

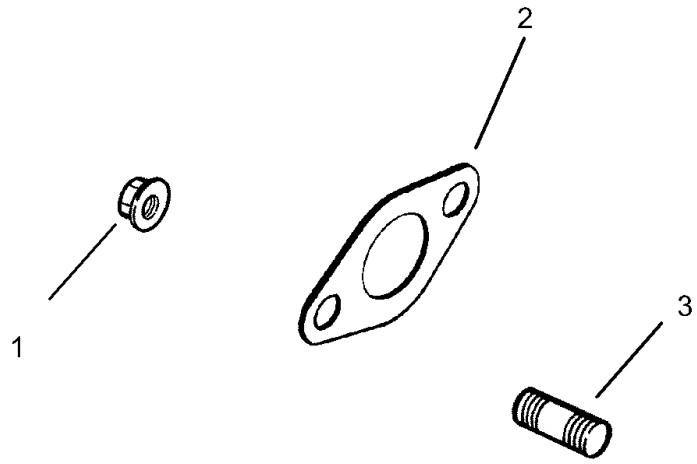
Ref	Part No.	Qty.	Description
⓴	25 158 08-S	1	Bushing-Retaining, Linkage
⓶	24 079 01-S	1	Linkage-Throttle





## Air Intake / Filtration Assembly Kohler CH23S-76549

Ref	Part No.	Qty.	Description
❶	24 029 21-S	1	Adapter-Cleaner, Air
❷	M-639016-S	6	Screw-HF (M6X1.0X16)
❸	24 041 34-S	1	Gasket-Adapter
❹	24 029 31-S	1	Adapter
❺	24 041 06-S	1	Gasket-Base, Air Cleaner
❻	24 164 14-S	1	Manifold-Intake
❼	25 086 84-S	4	Screw-HF (M6X1.0X55)
❽	24 041 01-S	2	Gasket-Manifold, Intake
❾	24 086 06-S	2	Screw-Head, Phillips (11-16X3/4)
❿	24 314 25-S	1	Shield-Debris
⓫	25 113 27-S	1	Decal-Cleaner, Air
⓬	24 146 25-S	1	Decal-22Hp



## Exhaust Assembly Kohler CH23S-76549

Ref	Part No.	Qty.	Description
①	M-841080-S	4	Nut-HF (M8X1.25)
②	24 041 49-S	2	Gasket-Exhaust
③	25 072 04-S	4	Stud (M8X1.25X33)

# Attachments and Accessories

## For 22318 - Dingo 323 Compact Utility Loader

<b>Product Name</b>	<b>Model/Part</b>
Tire Chain Kit .....	100-4140
Helmet-Face Shield .....	100-4143
Light Kit .....	100-8940
Narrow Tire Assembly .....	104-0572
Sitework Tire Tube .....	105-4070
Rubber Foot Mat .....	105-5805
Tube-Tire .....	106396
CE Conversion Kit-Wheeled Dingo-Petrol .....	22366
4 Cu. Ft. Standard Bucket .....	22409
Loose Materials Bucket .....	22410
48 Inch Hydraulic Blade .....	22414
Rotary Broom .....	22415
Counterweight .....	22417
Bore Drive Head Attachment .....	22420
Rod And Reamer .....	22421
Multi-Purpose Tool .....	22423
Power Box Rake .....	22425
Stump Grinder .....	22429
Tree Forks .....	22438
Cement Bowl .....	22442
The Eliminator Scarifier/Groomer .....	22443
40 Inch Tiller .....	22445
Snowthrower .....	22456
Trencher Head .....	22470
High-Speed Trencher Head .....	22471
Narrow Bucket .....	22520
Over-Tire Rubber Tracks .....	22662
Steel Track Kit .....	22665
Auger Head .....	22802
Universal Swivel Auger Head .....	22803
Vibratory Plow .....	22910
Soil Cultivator .....	23101
Seeder Box Kit, Dingo Soil Cultivator .....	23120
Concrete Breaker .....	23135
Backhoe .....	23163
Adjustable Forks .....	23164
Leveler .....	23165
Tube .....	232-37
LH Wheel And Tire ASM .....	98-2747
Wheel and Tire ASM .....	98-4709
Spark Arrestor (Meets USDA Forest Service Standard 5100-1A) .....	98-9099
RH Wheel And Tire ASM .....	99-1447
RH Wheel And Tire ASM .....	99-3140
LH Wheel And Tire ASM .....	99-3141
Hydraulic Relief Valve Kit .....	99-4360

