



Greensmaster® 3150

Model No. 04357 - 250000001 and up.

Parts Catalog

Ordering Replacement Parts

To order replacement parts, please supply the part number, the quantity, and the description of each part desired.

Understanding Reference Numbers

Each identified part in an illustration has a reference number. The reference number for a part also appears in the parts list, along with other information about the part.

This catalog uses two special reference number formats, one to indicate parts in a service assembly and another to indicate the quantity of a given part in an illustration.

Service Assembly Reference Numbers

Parts in service assemblies have reference numbers in the form a:b. The a represents the reference number of the entire service assembly and the b represents a sequential number unique to each part within the service assembly.

For example, a wheel assembly might be identified by reference number 6, the tire by 6:1, the valve by 6:2, and the wheel by 6:3. When you order the assembly identified by reference number 6, you receive all parts identified by reference numbers 6:1, 6:2, and 6:3. However, you may also order any part individually. Reference numbers of this type appear in illustrations and in part lists.

Reference Numbers Indicating Quantity

In an illustration, if a reference number indicates more than one part, the reference number has the form nX y. The n represents the quantity of the part, the X is the multiplication symbol, and the y represents the reference number.

For example, in an illustration, the reference number 2X 37 means that two of the parts identified by reference number 37 are indicated.

Contents

Description	Page	Description	Page
Brake Pedal Assembly 4	Hydraulic Steering Assembly 41
Traction Pedal Assembly 5	Wire Harness Routing Assembly 42
Front Wheel and Brake Assembly 6	Cylinder Assembly Briggs and Stratton 350447-1332-E1 43
Brake Assembly No. 104-7705 7	Crankshaft Assembly Briggs and Stratton 350447-1332-E1 44
Hydraulic Wheel Motor Assembly No. 92-9199 8	Cylinder Head Assembly No. 1 Briggs and Stratton 350447-1332-E1 45
Steering Arm Assembly 9	Cylinder Head Assembly No. 2 Briggs and Stratton 350447-1332-E1 46
Steering Control Valve Assembly No. 105-0424 10	Intake Manifold and Rocker Cover Assembly Briggs and Stratton 350447-1332-E1 47
Right Hand Pull Frame Assembly 11	Carburetor Assembly Briggs and Stratton 350447-1332-E1 48
Hydraulic Cylinder Assembly No. 106-9066 13	Governor Assembly Briggs and Stratton 350447-1332-E1 49
Left Hand Pull Frame Assembly 14	Alternator Assembly Briggs and Stratton 350447-1332-E1 50
Center Pull Frame Assembly 16	Fuel Pump, Oil Pump and Dipstick Assembly Briggs and Stratton 350447-1332-E1 51
Hydraulic Cylinder Assembly No. 106-9064 18	Air Cleaner Assembly Briggs and Stratton 350447-1332-E1 52
Seat Assembly 19	Blower Housing Assembly Briggs and Stratton 350447-1332-E1 53
Neutral System Assembly 20	Flywheel Assembly Briggs and Stratton 350447-1332-E1 54
Engine Installation Assembly 21	Starter Assembly Briggs and Stratton 350447- 1332-E1 55
Hydrostat and Gear Pump Drive Assembly 22	Starter (Component Parts) Assembly Briggs and Stratton 350447-1332-E1 56
Hydrostat Assembly No. 105-0494 23	Gasket Assembly Briggs and Stratton 350447- 1332-E1 57
Gear Pump Assembly No. 104-7737 24	Carburetor Overhaul Kit Assembly Briggs and Stratton 350447-1332-E1 58
Frame and Battery Assembly 25	Attachments and Accessories List 59
Rear Wheel Assembly 26		
Hydraulic Cylinder Assembly No. 105-0411 27		
Control Panel Assembly 28		
Hydraulic Reservoir and Leak Detector Assembly 29		
Fuel Tank Assembly 30		
Speed Selector Lever Assembly 31		
Joystick and Console Assembly 32		
Joystick Bracket Assembly No. 106-4167 33		
Hydraulic Manifold Assembly 34		
Manifold Assembly No. 106-9005 35		
Hydraulic Traction Assembly 36		
Hydraulic Reel Drive Assembly 37		
Hydraulic Motor Assembly No. 100-6426 39		
Hydraulic Lift Assembly 40		

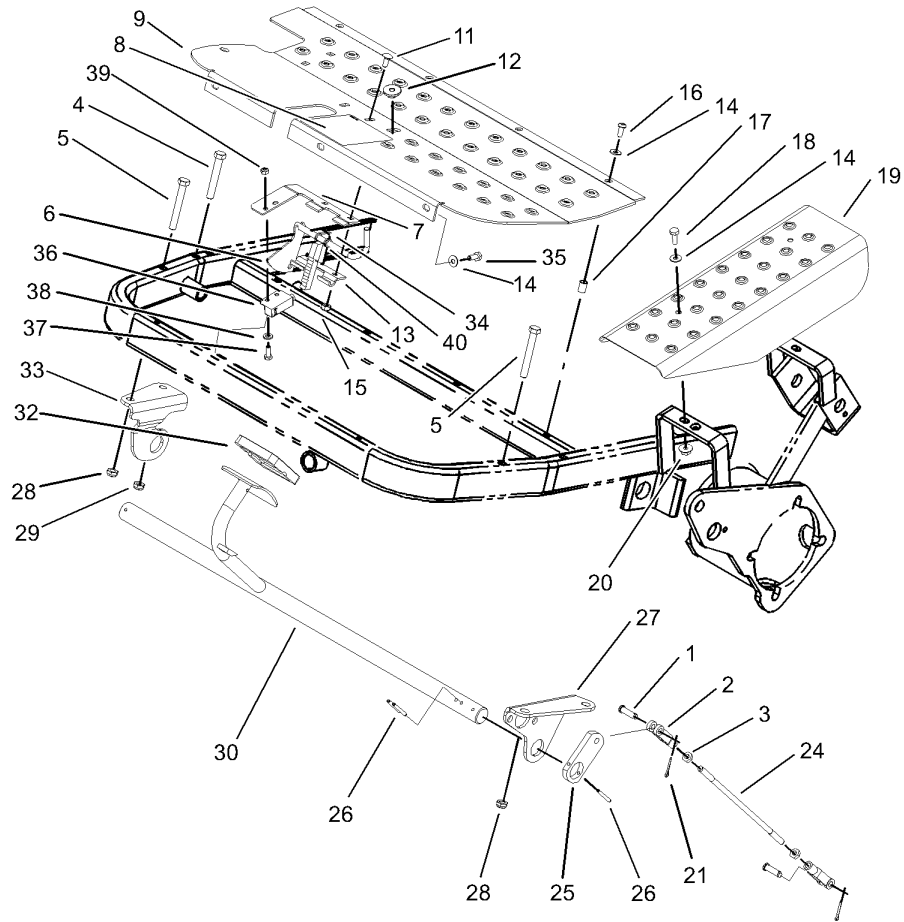
Part Description Abbreviations

Part descriptions in this catalog may include the following abbreviations.

AR.	as required	HWHTF.	hex washer head thread forming
ASM.	assembly	HYD.	hydraulic
BBC.	Blade Brake Clutch	INC.	incorporated
CARR.	carriage	LH.	left hand
DEG.	degrees	NI.	nylon insert
EXT.	external	NPTF.	national pipe thread fine
FH.	flat head	PPH.	phillips pan head
GA.	gauge	PPHTF.	phillips pan head thread forming
HF.	hex flange	PRH.	phillips round head
HH.	hex head	PTH.	phillips truss head
HHF.	hex head flange	PTO.	power take off
HHFTF.	hex head flange thread forming	RH.	right hand
HJ.	hex jam	ROPS.	roll over protection system
HLH.	hex lag head	SFH.	slotted fillister head
HOC.	height-of-cut	SHH.	slotted hex head
HSBH.	hex socket button head	SHWH.	slotted hex washer head
HSFH.	hex socket flat head	SPH.	slotted pan head
HSH.	hex socket head	SQH.	square head
HWH.	hex washer head		

Footnotes

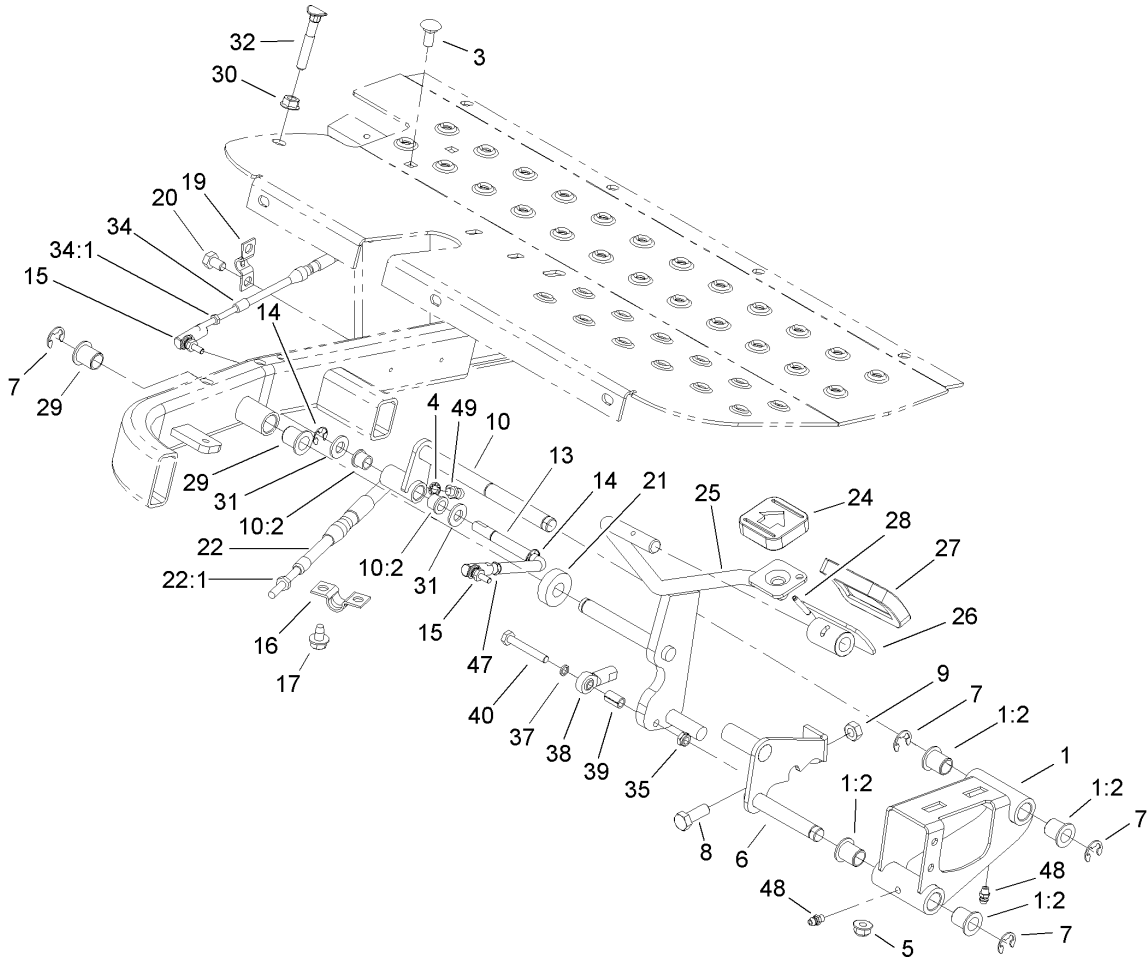
- | | | | |
|---|--|---|---|
| ❶ | Not illustrated | ❷ | Not serviced separately |
| ❸ | Included in Engine Gasket Set-Ref. 358. | ❹ | Included in Carburetor Overhaul Kit-Ref. 121. |
| ❺ | Included in Valve Overhaul Gasket Set-Ref. 1095. | ❻ | Obtain parts from your local Briggs & Stratton dealer |



Brake Pedal Assembly

Ref	Part No.	Qty.	Description
1	283-61	4	Pin-Yoke
2	282-2	4	Yoke
3	3220-2	4	Nut-Jam
4	323-12	1	Screw-HH
5	323-13	3	Screw-HH
6	100-9819	1	Latch ASM
7	100-9821	1	Plate-Switch, Reed
8	93-8062	1	Decal-Brake, Parking
9	105-0463-01	1	Plate-Footrest
11	3229-11	2	Screw-CARR
12	32141-111	1	Nut-Adjusting
13	95-1629	1	Hinge-Lower
14	3256-1	9	Washer-Flat
15	3296-16	2	Nut-Lock, NI
16	3274-31	4	Screw-HSBH
17	32148-6	7	Insert-Nut
18	321-4	2	Screw-HH
19	83-0200-01	1	Plate-Cover, LH
20	32128-33	2	Nut-HF
21	3272-6	4	Pin-Cotter
24	27-2270	2	Rod-Adjustment, Brake
25	10-8100-01	2	Strap-Shaft, Brake
26	32121-35	4	Pin-Roll
27	88-9640-01	1	Bracket-Lift Pivot, LH

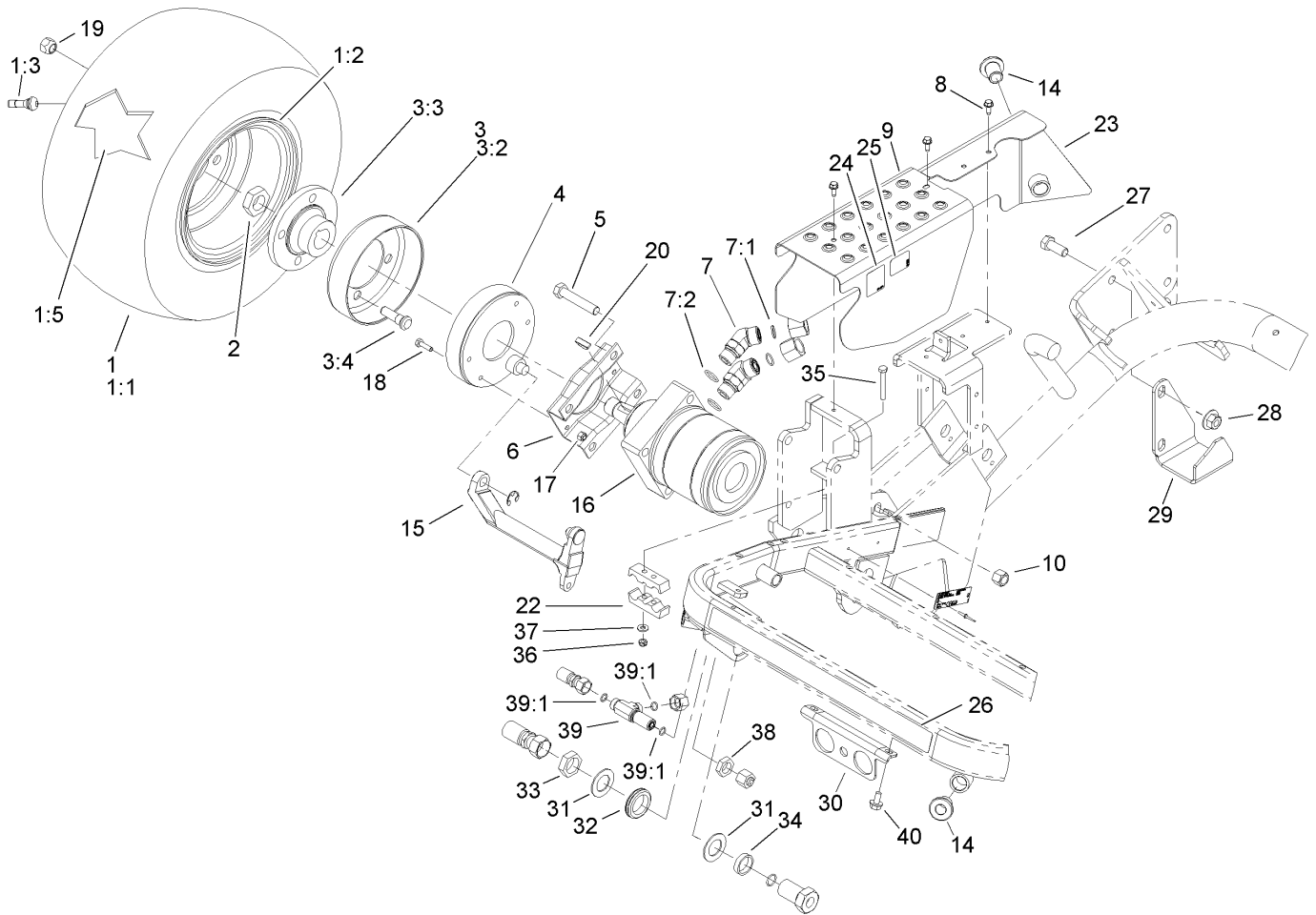
Ref	Part No.	Qty.	Description
28	104-8301	3	Nut-Flange, NI
29	3296-59	1	Nut-Lock, NI
30	83-0160	1	Shaft-Brake
32	93-7629	1	Pad-Foot, Brake
33	105-0440-01	1	Bracket-Brake, RH
34	10-8140	1	Spring-Latch, Brake
35	321-3	3	Screw-HH
36	104-2057	1	Sensor
37	48-7620	2	Screw-HH
38	33093-00	2	Washer-Flat
39	49-7810	2	Nut-Lock
40	75-5470	2	Spacer-Bearing



Traction Pedal Assembly

Ref	Part No.	Qty.	Description
1	106-4620	1	Pivot Mount ASM
1:2	256-155	4	Bushing-Flange
3	3230-1	2	Bolt-CARR
4	3254-8	1	Washer-Lock
5	104-8300	2	Nut-Flange, NI
6	105-5425	1	Lock-ASM
7	32120-47	4	Ring-Retaining, External
8	323-6	1	Screw-HH
9	3217-7	1	Nut-Hex
10	106-4621	1	Support ASM
10:2	256-116	2	Bushing-Flange
13	105-5430	1	Rod-Connecting
14	32120-18	2	E-Ring
15	2411-38	2	Joint-Ball
16	93-2092	1	Clamp-Cable
17	9266934	2	Screw
19	93-2279	1	Clamp-Cable
20	322-1	2	Screw-HH
21	105-5429	1	Spacer-Pedal, Traction
22	105-5445	1	Cable-Traction
22:1	3220-1	2	Nut-Jam
24	74-9110	1	Pad-Pedal, Reverse
25	105-5421-01	1	Traction Pedal ASM
26	49-6440-03	1	Pedal-Forward

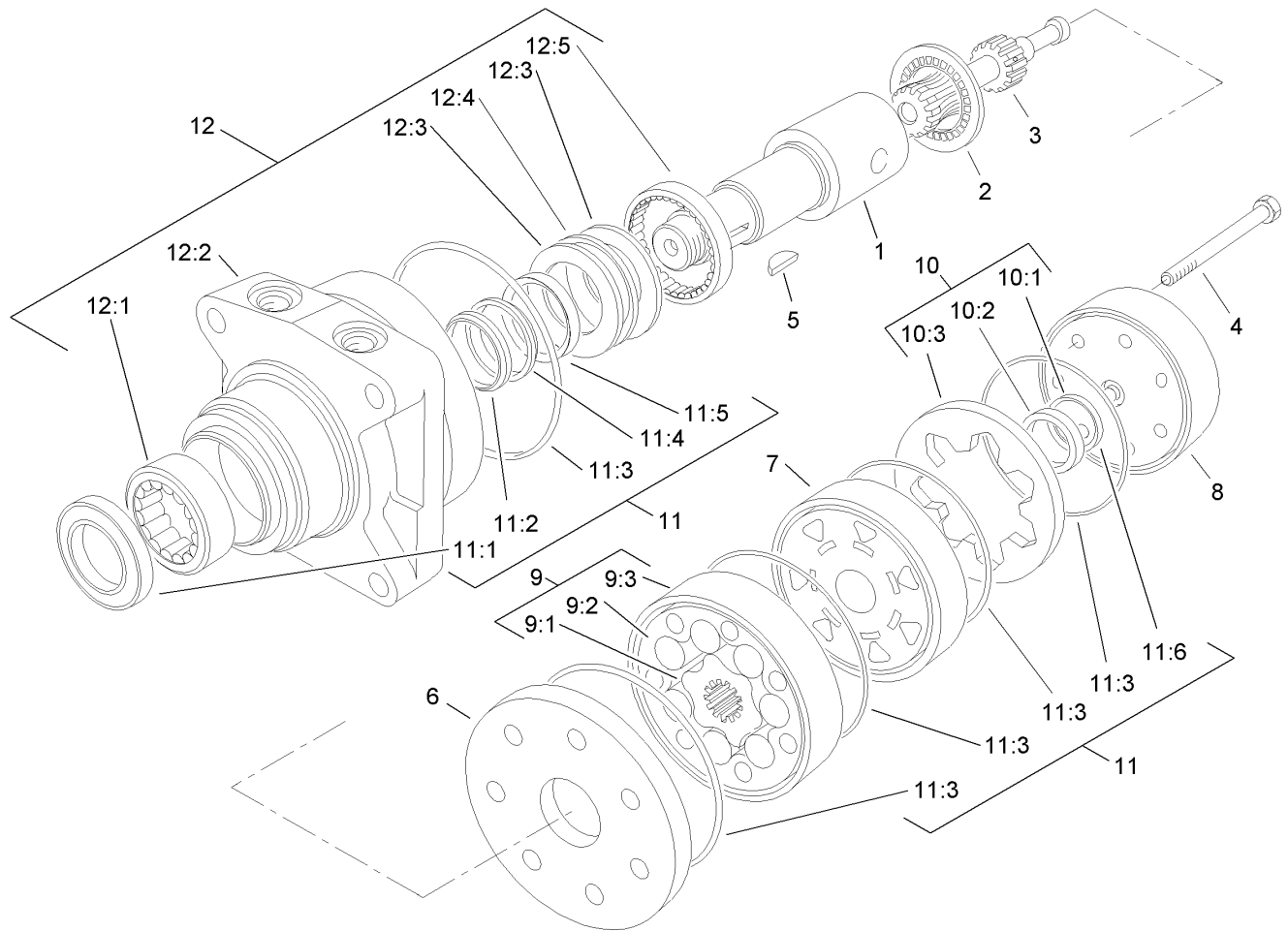
Ref	Part No.	Qty.	Description
27	74-9100	1	Pad-Pedal, Forward
28	32121-45	1	Pin-Spring
29	256-155	2	Bushing-Flange
30	32128-20	1	Nut-HF
31	3256-24	2	Washer-Flat
32	17-9426	1	Screw-Handle
34	105-5444	1	Cable-Lock, Neutral
34:1	3219-14	2	Nut-Hex
35	3296-56	1	Nut-Lock, NI
37	105-8318	1	Washer-Flat
38	2411-41	1	Joint-Ball
39	80-0650	1	Spacer-Tubular
40	321-10	1	Screw-HH
47	3219-14	1	Nut-Hex
48	302-5	2	Fitting-Grease
49	302-60	1	Fitting-Grease, 90 DEG



Front Wheel and Brake Assembly

Ref	Part No.	Qty.	Description
①		2	Wheel And Tire ASM
1:1	28-3680	1	Tire
1:2	217-60	1	Rim
1:3	232-27	1	Stem-Valve
1:5	232-37	1	Tube
2	26-3790	2	Nut-Lock
3	10-6821	2	Brake Drum ASM
3:2	10-6850	1	Drum-Brake
3:3	10-6870-03	1	Hub-Wheel
3:4	85-6540	4	Stud-Drive
4	104-7705	2	Brake ASM
5	325-11	8	Screw-HH
6	84-2000-03	2	Bracket-Brake
7	340-14	4	Fitting-HYD, 45 DEG
7:1	237-65	1	O-Ring
7:2	237-80	1	O-Ring
8	32144-10	4	Screw-HWH
9	105-0433-01	1	Channel-Step, RH
10	3296-23	8	Nut-Lock, NI
14	83-1700	3	Bushing-Flange
15	93-2096	2	Lever-Brake
16	92-9199	2	Motor-Wheel, HYD
17	3296-42	8	Nut-Lock, NI
18	321-5	8	Screw-HH

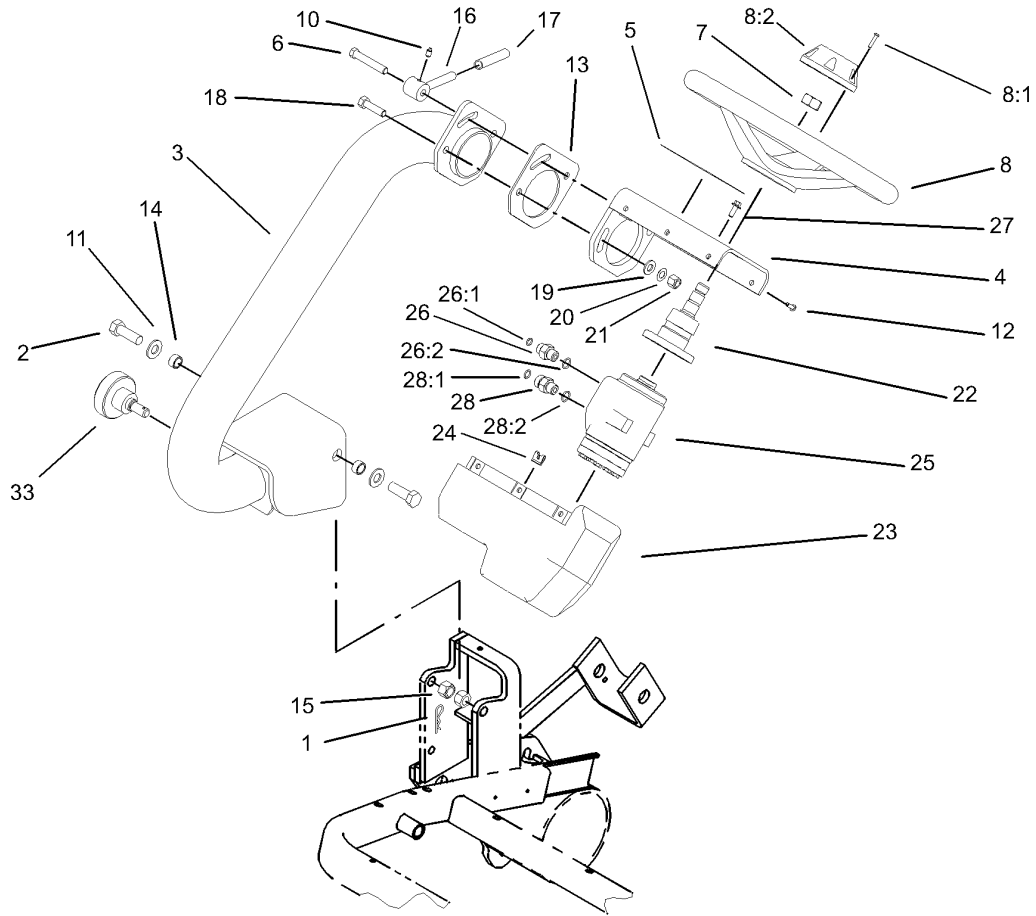
Ref	Part No.	Qty.	Description
19	242-50	8	Nut-Lug
20	3257-42	2	Key-Woodruff
①21	3290-378	3	Tie-Cable
22	93-2509	2	Clamp-Tube
23	105-8282-01	1	Side Shield ASM
24	105-4674	1	Decal-Noise
25	93-7252	1	Decal
26	105-5470	1	Decal
27	325-5	2	Screw-HH
28	32128-52	2	Locknut-Flange
29	105-8263-01	1	Bracket-ROPS
30	107-2552-01	1	Bracket-Bulkhead
31	69-9010	2	Washer
32	240-3	1	Grommet-Rubber
33	340-74	1	Locknut-Bulkhead
34	69-9000	1	Spacer
35	321-11	2	Screw-HH
36	3296-56	2	Nut-Lock, NI
37	3256-22	2	Washer-Flat
38	340-70	1	Nut-Lock
39	340-68	1	Fitting-Tee, Bulkhead
39:1	237-22	3	O-Ring
40	32144-14	2	Screw-HWH



Hydraulic Wheel Motor Assembly No. 92-9199

Ref	Part No.	Qty.	Description
1	76-0860	1	Shaft-Coupling
2	76-0850	1	Bearing-Thrust
3	92-9761	1	Link-Drive
4	92-9762	7	Screw-HH
5	3257-42	1	Key-Woodruff
6	76-0870	1	Plate-Wear
7	76-0840	1	Manifold
8	76-0940	1	End Cover ASM
9	92-9763	1	Rotor Set
●9:1		1	Rotor
●9:2		1	Vane
●9:3		1	Stator
10	76-0880	1	Commutator ASM
●10:1		1	Seal-Commutator
●10:2		1	Commutator
●10:3		1	Ring-Commutator
11	94-8178	1	Seal Kit
●11:1		1	Seal-Dirt And Water
●11:2		1	Washer-Backup
●11:3		5	Seal-Ring
●11:4		1	Washer-Backup
●11:5		1	Seal-Inner
●11:6		1	Seal-Commutator
12	76-0810	1	Housing ASM

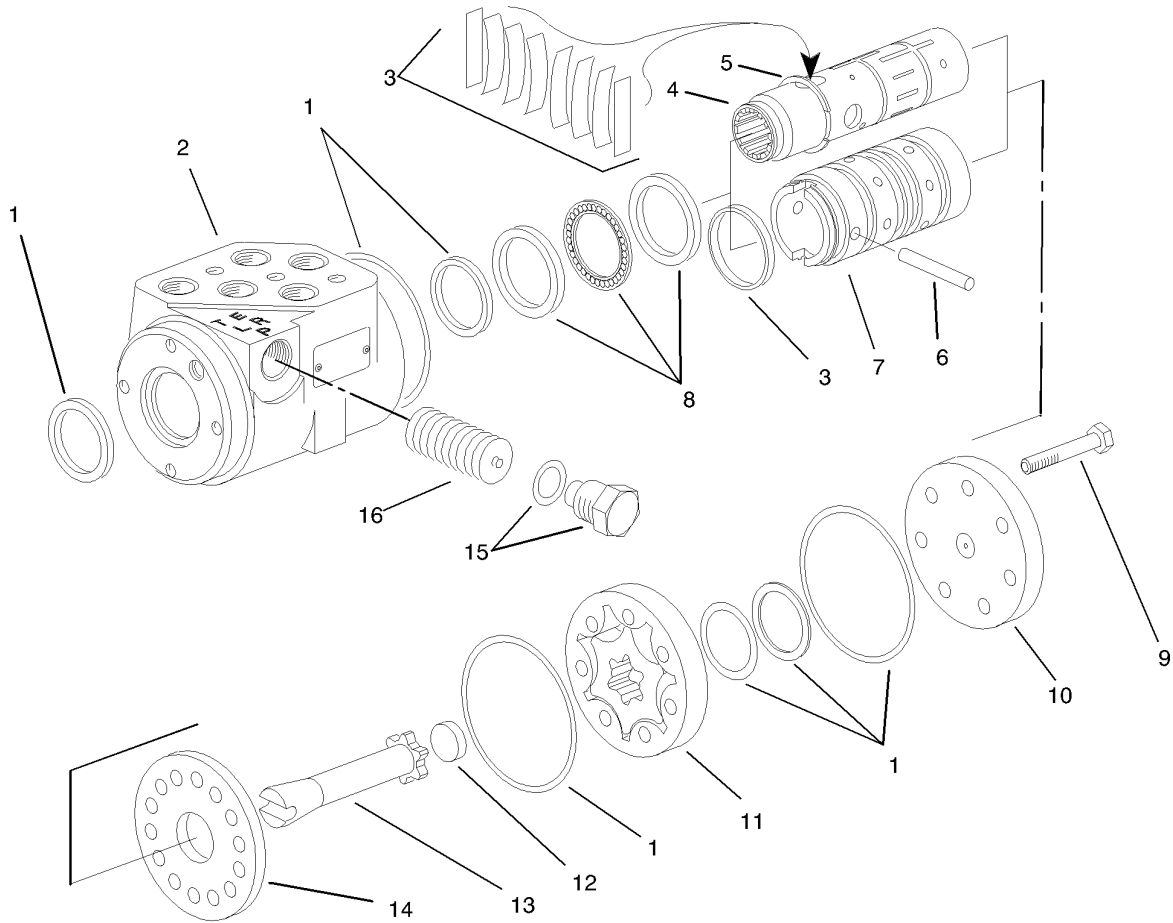
Ref	Part No.	Qty.	Description
●12:1		1	Bearing
●12:2		1	Housing
●12:3		2	Washer-Thrust
●12:4		1	Bearing-Thrust
●12:5		1	Bearing



Steering Arm Assembly

Ref	Part No.	Qty.	Description
1	3290-467	1	Pin-Hair
2	325-6	2	Screw-HH
3	105-0418-01	1	Steering Arm ASM
4	105-4316-03	1	Steering Mount ASM
5	93-8063	1	Decal-Caution, Ce
5	104-2053	1	Decal-Warning
6	105-4326	1	Screw-HH, LH
7	107-2562	1	Nut-Hex
8	75-0560	1	Wheel-Steering
8:1	32144-21	1	Screw
8:2	68-5140	1	Cap-Wheel, Steering
10	3241-1	1	Screw-Set, SQH
11	3256-26	2	Washer-Flat
12	3274-39	6	Screw-HSBH
13	105-0457	1	Plate-Friction
14	47-2890	2	Bushing
15	3296-23	2	Nut-Lock, NI
16	105-4313	1	Lever ASM
17	92-6798	1	Cap-Rod, Tilt
18	323-29	2	Screw-HH
19	3256-24	2	Washer-Flat
20	3290-477	2	Washer-Curved
21	3296-39	2	Nut-Lock, NI
22	105-0425	1	Steering Column ASM

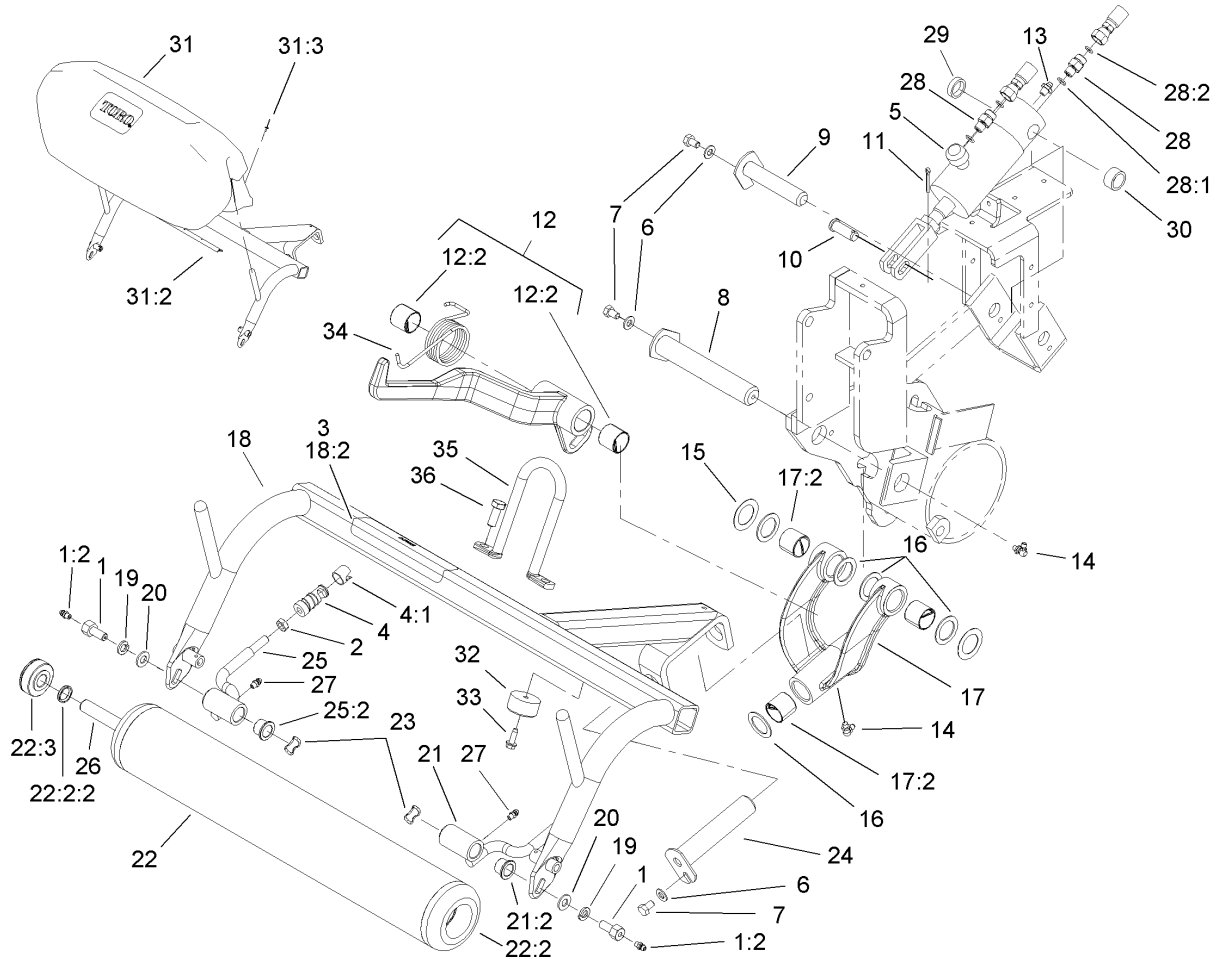
Ref	Part No.	Qty.	Description
23	83-0810	1	Cover-Steering
24	3290-277	6	Nut-Speed
25	105-0424	1	Valve-Control, Steering
26	340-1	3	Adapter
26:1	237-21	1	O-Ring
26:2	237-42	1	O-Ring
27	33103-016	4	Screw-HHF
28	340-2	2	Fitting-HYD, Straight
28:1	237-22	1	O-Ring
28:2	237-42	1	O-Ring
33	105-0484	1	Knob-Steering



Steering Control Valve Assembly No. 105-0424

Ref	Part No.	Qty.	Description
1	94-4099	1	Seal Kit
2		1	Housing
3	94-4095	1	Centering Spring Kit
4		1	Spool
5	94-4098	1	Ring-Retaining
6	94-4094	1	Pin
7		1	Sleeve
8	94-4096	1	Bearing Kit
9	105-2938	7	Screw-Cap
10	94-4089	1	Cap-End
11	105-2939	1	Gerotor ASM
12	105-2940	1	Spacer
13	94-4093	1	Drive
14	94-4092	1	Plate-Wear
15	99-5511	1	Plug ASM
16	99-5500	1	Valve-Relief

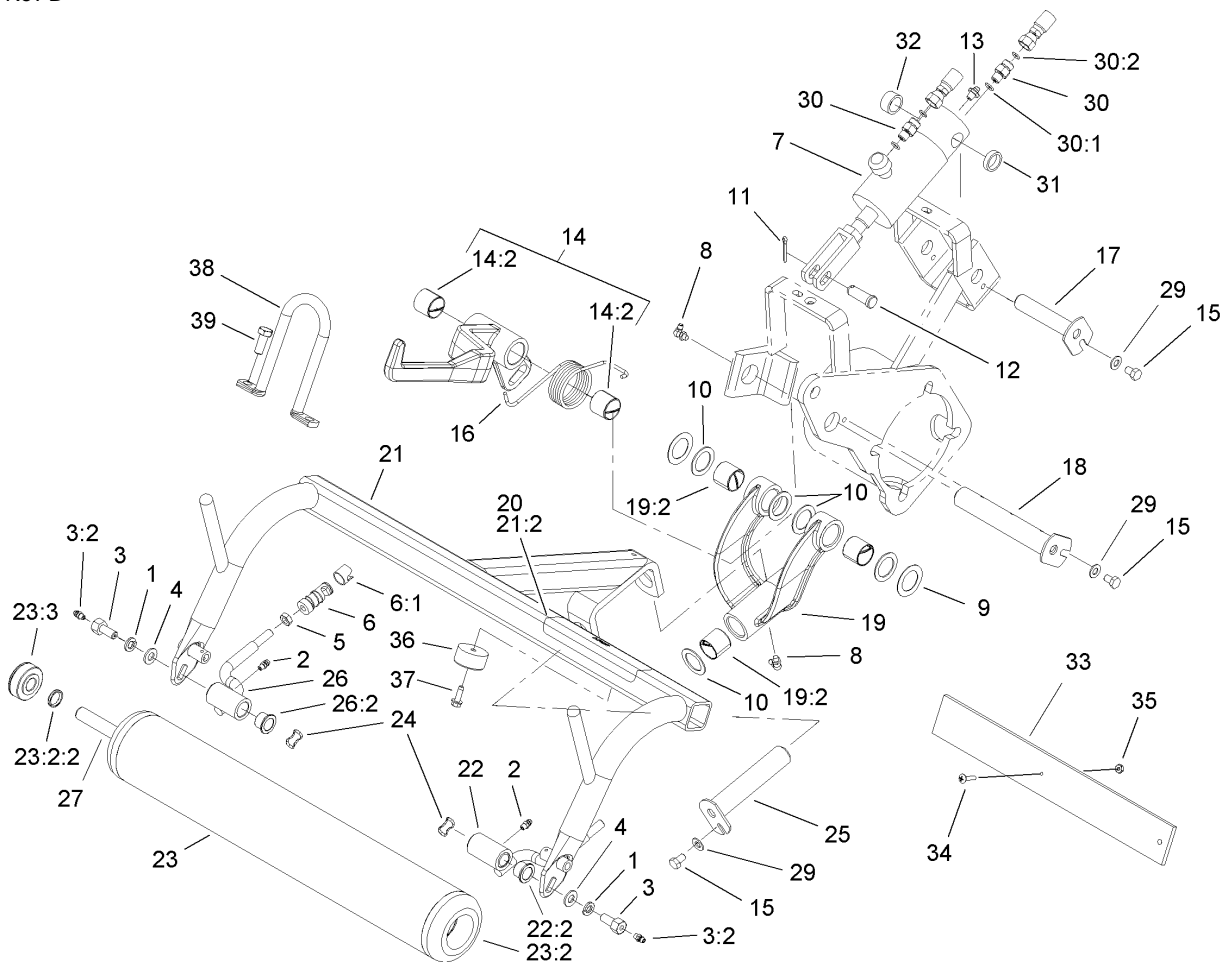
--	--	--	--



Right Hand Pull Frame Assembly

Ref	Part No.	Qty.	Description
1	11-0160	2	Roller Shaft Screw ASM
1:2	302-5	1	Fitting-Grease
2	3220-3	2	Nut-Hex, Jam
3	93-8064	1	Decal-Danger, Ce
4	99-1460	2	Ball Joint Receiver ASM
4:1	99-1461	1	Sleeve-Joint, Ball
5	106-9066	1	HYD Cylinder ASM
6	3256-23	3	Washer-Flat
7	322-1	3	Screw-HH
8	10-6110	1	Pin-Hinge
9	10-6060	1	Pin-Pivot, Ram
10	283-8	1	Pin-Clevis
11	3272-11	1	Pin-Cotter
12	107-2599	1	RH Lift Arm ASM
12:2	3-0348	2	Bushing
13	302-2	1	Fitting-Grease
14	302-60	2	Fitting-Grease, 90 DEG
15	5-1226	4	Washer
16	10-8110	6	Washer-Thrust
17	10-7820	1	Pivot Hinge ASM
17:2	3-0348	4	Bushing
18	104-2055	1	Right Pull Frame ASM
18:2	62-5070	1	Decal-Warning
19	3253-21	2	Washer-Lock

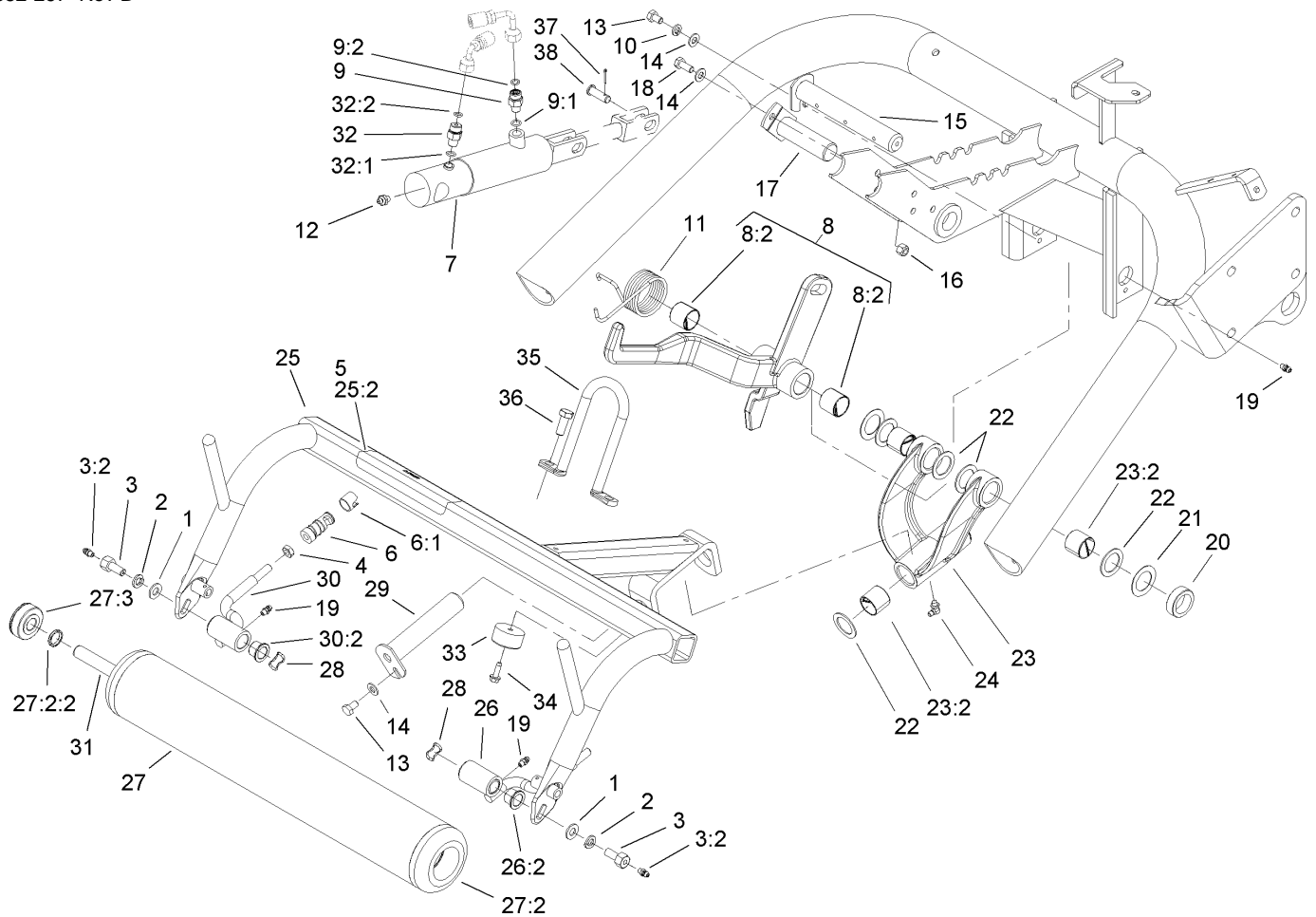
Ref	Part No.	Qty.	Description
20	3256-24	2	Washer-Flat
21	92-0586	1	Pull Arm ASM
21:2	3-1506	2	Bushing
22	99-4277	1	Roller ASM
22:2	253-83	2	Hub Yoke ASM
22:2:2	253-83	1	Seal-Oil
22:3	251-141	2	Bearing-Ball
23	3290-317	2	Washer-Spring
24	10-6090	1	Pin-Pivot
25	92-0585	1	Pull Arm ASM
25:2	3-1506	2	Bushing
26	21-8470	1	Shaft-Roller
27	302-5	2	Fitting-Grease
28	340-92	2	Fitting-HYD, Straight
28:1	237-78	1	O-Ring
28:2	237-21	1	O-Ring
29	105-3828	1	Spacer
30	74-3730	1	Spacer-Spindle, Rear
31	107-9518	3	Grass Basket ASM
31:2	104-2607	1	Strip-Basket
31:3	3290-382	8	Rivet-Pop
32	94-4548	2	Bumper-Recessed
33	32144-44	2	Screw-HWH
34	106-9078	1	Spring-Torsion, RH



Left Hand Pull Frame Assembly

Ref	Part No.	Qty.	Description
1	3253-21	2	Washer-Lock
2	302-5	2	Fitting-Grease
3	11-0160	2	Roller Shaft Screw ASM
3:2	302-5	1	Fitting-Grease
4	3256-24	2	Washer-Flat
5	3220-3	2	Nut-Hex, Jam
6	99-1460	2	Ball Joint Receiver ASM
6:1	99-1461	1	Sleeve-Joint, Ball
7	106-9066	1	HYD Cylinder ASM
8	302-60	2	Fitting-Grease, 90 DEG
9	5-1226	4	Washer
10	10-8110	6	Washer-Thrust
11	3272-11	1	Pin-Cotter
12	283-8	1	Pin-Clevis
13	302-2	1	Fitting-Grease
14	107-2598	1	LH Lift Arm ASM
14:2	3-0348	2	Bushing
15	322-1	3	Screw-HH
16	106-9079	1	Spring-Torsion, LH
17	10-6060	1	Pin-Pivot, Ram
18	10-6110	1	Pin-Hinge
19	10-7820	1	Pivot Hinge ASM
19:2	3-0348	4	Bushing
20	93-8064	1	Decal-Danger, Ce

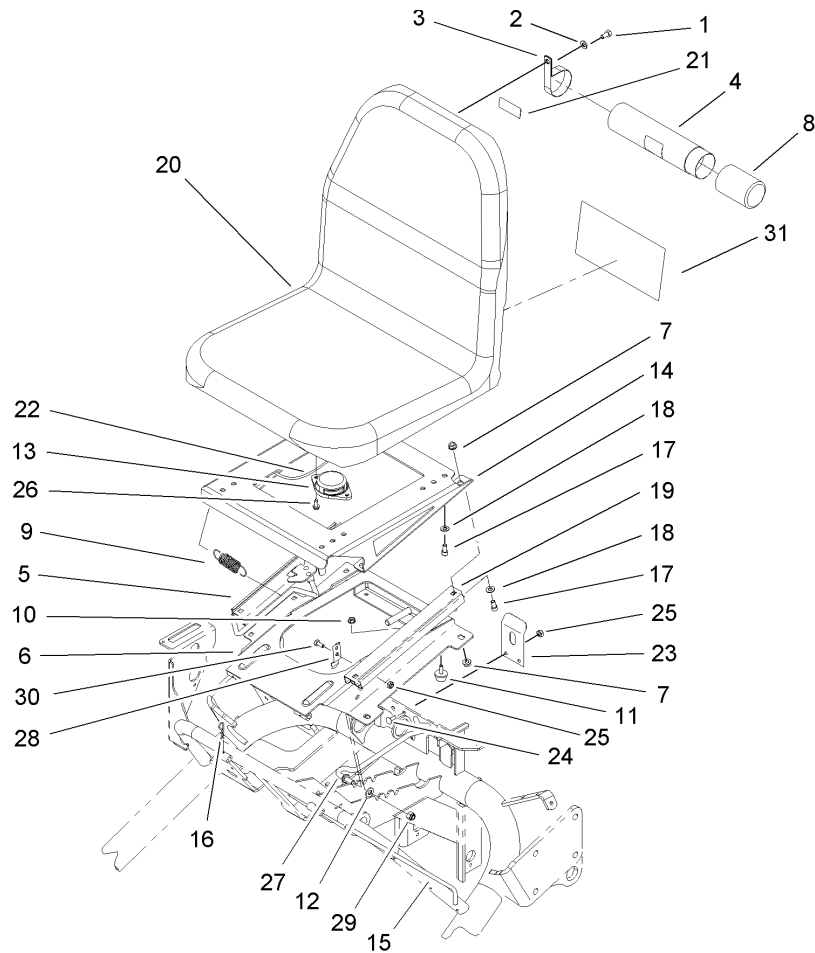
Ref	Part No.	Qty.	Description
21	104-2054	1	Left Pull Frame ASM
21:2	62-5070	1	Decal-Warning
22	92-0586	1	Pull Arm ASM
22:2	3-1506	2	Bushing
23	99-4277	1	Roller ASM
23:2	253-83	2	Hub Yoke ASM
23:2:2	253-83	1	Seal-Oil
23:3	251-141	2	Bearing-Ball
24	3290-317	2	Washer-Spring
25	10-6090	1	Pin-Pivot
26	92-0585	1	Pull Arm ASM
26:2	3-1506	2	Bushing
27	21-8470	1	Shaft-Roller
29	3256-23	3	Washer-Flat
30	340-92	2	Fitting-HYD, Straight
30:1	237-78	1	O-Ring
30:2	237-21	1	O-Ring
31	105-3828	1	Spacer
32	74-3730	1	Spacer-Spindle, Rear
33	65-8320	1	Bar-Gauge
34	32122-22	1	Screw-HH
35	3219-14	1	Nut-Hex
36	94-4548	2	Bumper-Recessed
37	32144-44	2	Screw-HWH



Center Pull Frame Assembly

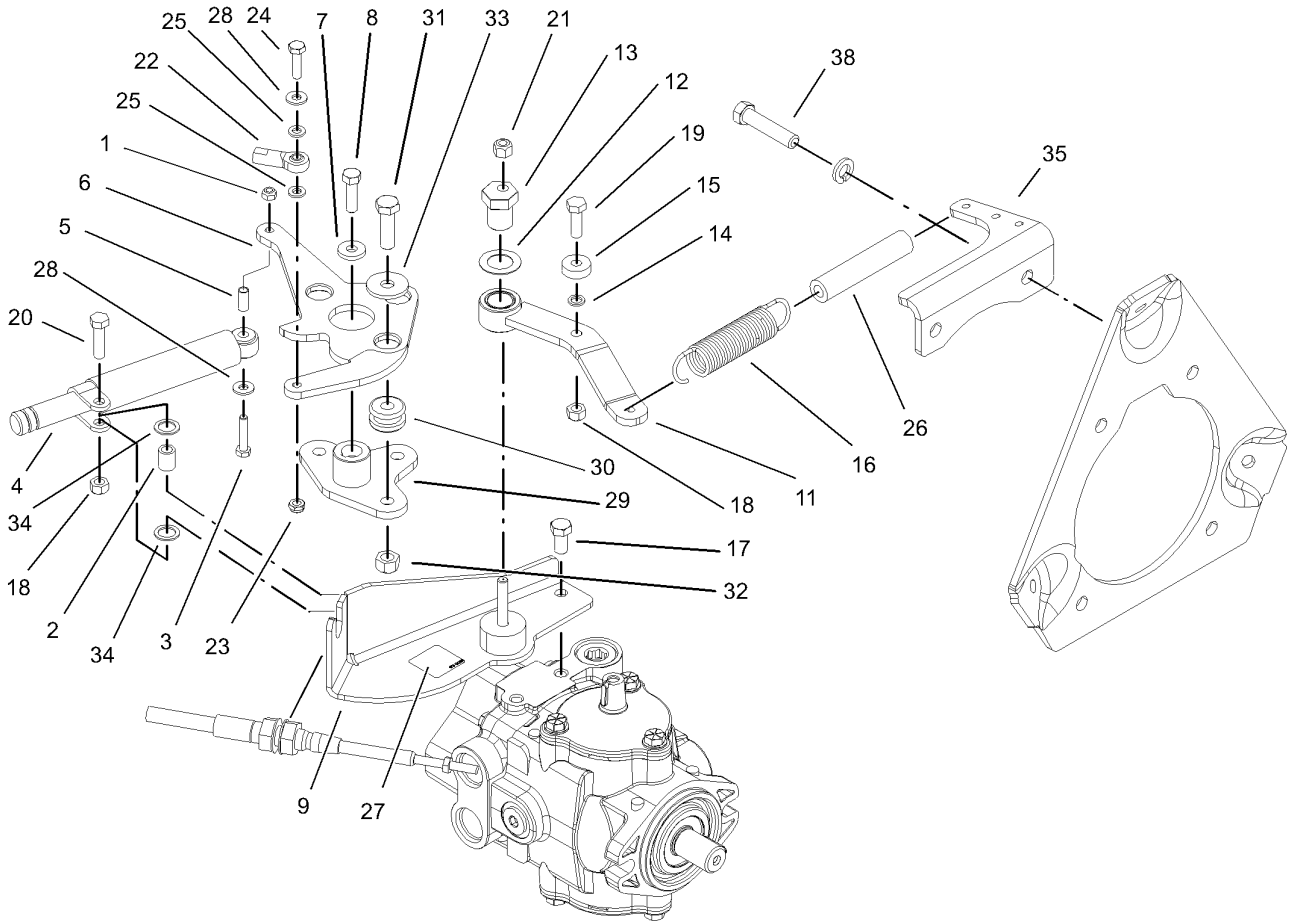
Ref	Part No.	Qty.	Description
1	3256-24	2	Washer-Flat
2	3253-21	2	Washer-Lock
3	11-0160	2	Roller Shaft Screw ASM
3:2	302-5	1	Fitting-Grease
4	3220-3	2	Nut-Hex, Jam
5	93-8064	1	Decal-Danger, Ce
6	99-1460	2	Ball Joint Receiver ASM
6:1	99-1461	1	Sleeve-Joint, Ball
7	106-9064	1	HYD Cylinder ASM
8	107-9500	1	Center Lift Arm ASM
8:2	3-0348	2	Bushing
9	340-92	1	Fitting-HYD, Straight
9:1	237-78	1	O-Ring
9:2	237-21	1	O-Ring
10	3253-4	1	Washer-Lock
11	106-9080	1	Spring-Torsion, Center
12	302-2	1	Fitting-Grease
13	322-1	2	Screw-HH
14	3256-23	3	Washer-Flat
15	27-2550	1	Pin-Hinge
16	3296-29	1	Nut-Lock, NI
17	68-5560	1	Pin-Cylinder, Pivot
18	322-3	1	Screw-HH
19	302-5	3	Fitting-Grease

Ref	Part No.	Qty.	Description
20	93-2384	1	Spacer-Carrier
21	5-1226	4	Washer
22	10-8110	6	Washer-Thrust
23	105-0452	1	Pivot Hinge ASM
23:2	3-0348	4	Bushing
24	302-60	1	Fitting-Grease, 90 DEG
25	105-0451	1	Rear Pull Frame ASM
25:2	62-5070	1	Decal-Warning
26	92-0586	1	Pull Arm ASM
26:2	3-1506	2	Bushing
27	99-4277	1	Roller ASM
27:2		2	Hub Yoke ASM
27:2:2	253-83	1	Seal-Oil
27:3	251-141	2	Bearing-Ball
28	3290-317	2	Washer-Spring
29	10-6090	1	Pin-Pivot
30	92-0585	1	Pull Arm ASM
30:2	3-1506	2	Bushing
31	21-8470	1	Shaft-Roller
32	95-1639	1	Fitting-HYD
32:1	237-78	1	O-Ring
32:2	237-21	1	O-Ring
33	94-4548	2	Bumper-Recessed
34	32144-44	2	Screw-HWH



Seat Assembly

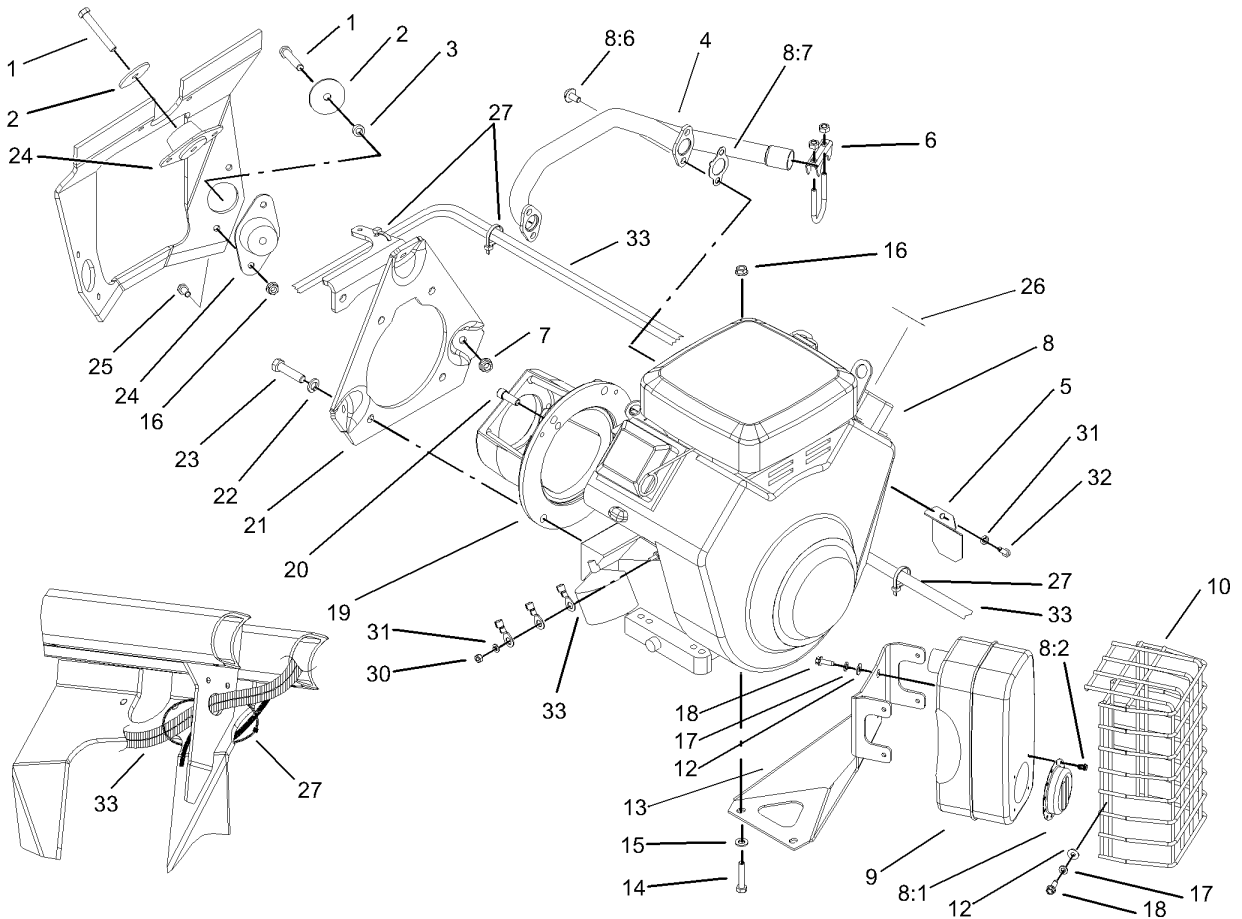
Ref	Part No.	Qty.	Description	Ref	Part No.	Qty.	Description
1	322-2	2	Screw-HH	25	3296-16	4	Nut-Lock, NI
2	3256-23	2	Washer-Flat	26	32144-10	2	Screw-HWH
3	2412-133	2	R-Clamp	27	106-4643	1	Rod-Prop, Seat
4	104-7050	1	Housing-Manual	28	68-5310	1	Clip-Rod, Prop
5	105-8265	1	Adjuster-Seat	29	3296-39	1	Nut-Lock, NI
6	105-0464-03	1	Seat Plate ASM	30	321-3	2	Screw-HH
7	32128-25	8	Nut-HF	31	105-8291	1	Decal-Service
8	104-7048	1	Cap-Housing	31	105-8292	1	Decal-Spanish
9	88-6330	1	Spring-Extension	31	105-8293	1	Decal-French
10	32128-33	2	Nut-HF	31	105-8294	1	Decal-German
11	1-523420	2	Bumper	31	105-8295	1	Decal-Swedish
12	3256-24	1	Washer-Flat	31	105-8296	1	Decal-Italian
13	92-6282	1	Switch-Seat	31	105-8299	1	Decal-Finnish
14	105-0466-03	1	Plate-Seat, Upper	31	105-8298	1	Decal-Norwegian
15	105-0483	1	Rod-Pivot, Seat	31	105-8297	1	Decal-Portuguese
16	3290-467	1	Pin-Hair	31	105-8300	1	Decal-Danish
17	3274-12	8	Screw-HSH	31	105-8301	1	Decal-Dutch
18	3256-23	8	Washer-Flat	31	105-8302	1	Decal-Japan
19	51-0780	1	Slider-Seat				
20	104-4620	1	Seat				
21	93-6686	1	Decal-Oil, HYD				
22	105-4319	1	Harness-Wire, Seat				
23	66-2630	1	Latch-Seat				
24	3229-1	2	Screw-CARR				



Neutral System Assembly

Ref	Part No.	Qty.	Description
1	33023-00	1	Nut-Lock
2	94-8197	1	Tube-Pivot
3	33113-035	1	Screw-HH
4	76-8870	1	Lever Damper ASM
5	94-1312	1	Spacer-Pivot
6	105-5477-03	1	Lever-Pump
7	88-7200	1	Washer-Flat
8	3210-6	1	Screw-HH
9	105-5475	1	Cable Support ASM
11	105-4302	1	Neutral Arm ASM
12	3-6498	1	Washer-Thrust
13	93-2111	1	Stud-Traction
14	75-5470	1	Spacer-Bearing
15	251-259	1	Bearing-Ball
16	94-1369	1	Spring-Extension
17	323-4	2	Screw-HH
18	33024-00	2	Nut-Lock
19	33114-025	1	Screw-HH
20	33114-030	1	Screw-HH
21	3296-29	1	Nut-Lock, NI
22	2411-41	1	Joint-Ball
23	3296-56	1	Nut-Lock, NI
24	321-7	1	Screw-HH
25	33093-00	2	Washer-Flat

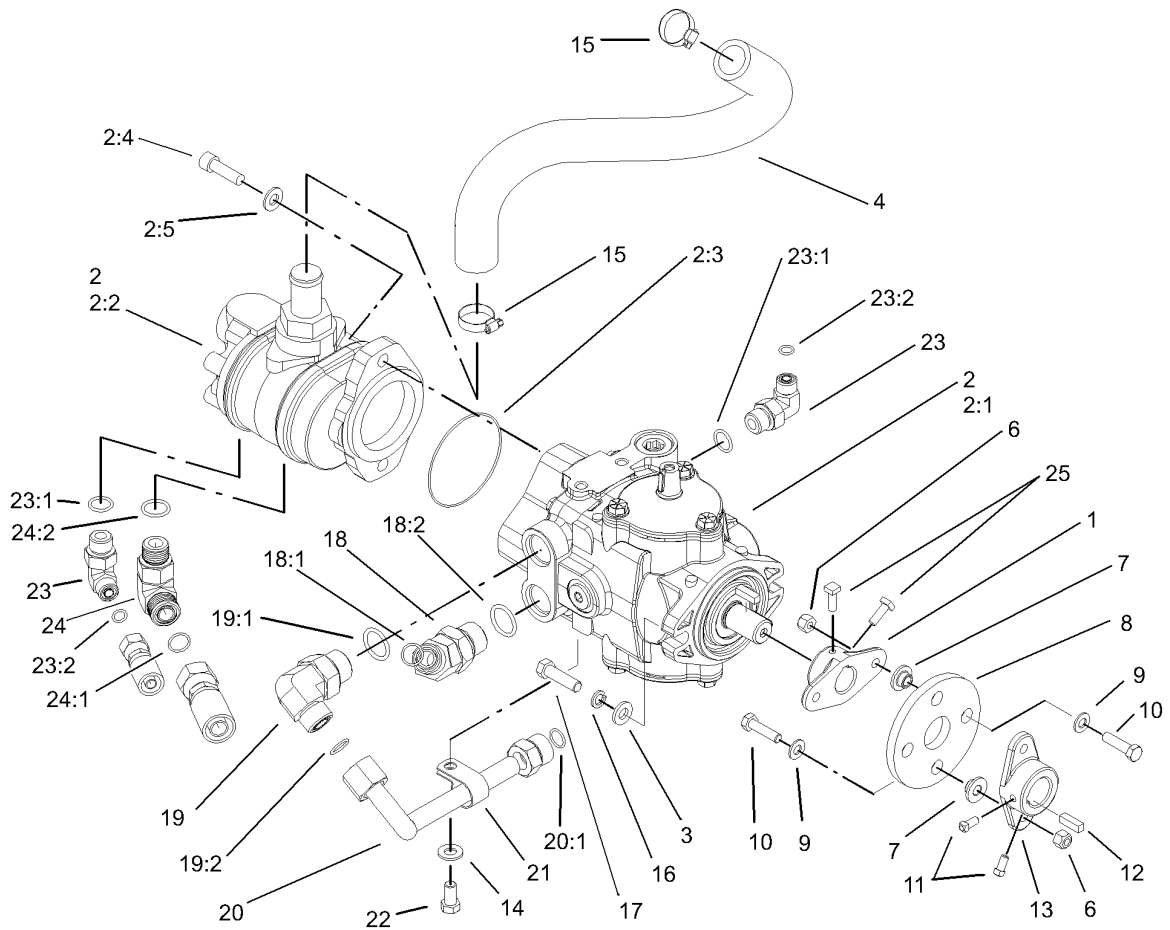
Ref	Part No.	Qty.	Description
26	99-4251	1	Hose-Dampener
27	93-9051	1	Decal-Bolt, Eccentric
28	3256-22	2	Washer-Flat
29	94-3486	1	Plate
30	63-9750	3	Mount
31	33115-035	3	Screw-HH
32	33025-00	3	Nut-Lock
33	2844	3	Washer
34	94-8196	2	Washer-Nylon
35	105-4307-03	1	Bracket-Spring
38	324-8	2	Screw-HH



Engine Installation Assembly

Ref	Part No.	Qty.	Description
1	323-12	3	Screw-HH
2	83-1040	3	Washer-Flat
3	83-1050	2	Spacer
4	83-1080	1	Exhaust Manifold ASM
5	83-2310	1	Shield-Regulator
6	2112-11	1	Clamp-Muffler
7	3290-357	3	Nut-HHF
8	107-9525	1	Engine-18Hp, Vanguard
28:1		1	Deflector-Exhaust
28:2		4	Screw-HH
28:6		4	Screw-HHF
28:7		2	Gasket-Manifold, Exhaust
9	98-0616	1	Muffler ASM
10	83-1400-03	1	Shield-Muffler
12	3256-1	8	Washer-Flat
13	83-1630-03	1	Bracket-Support, Muffler
14	322-8	2	Screw-HH
15	3256-23	2	Washer-Flat
16	32128-20	8	Nut-HF
17	3253-3	8	Washer-Lock
18	49-2040	8	Screw-HWHTF
19	83-1060-03	1	Adapter-Pump
20	3274-7	2	Screw-HSH
21	85-8120-03	1	Plate-Mount, Engine

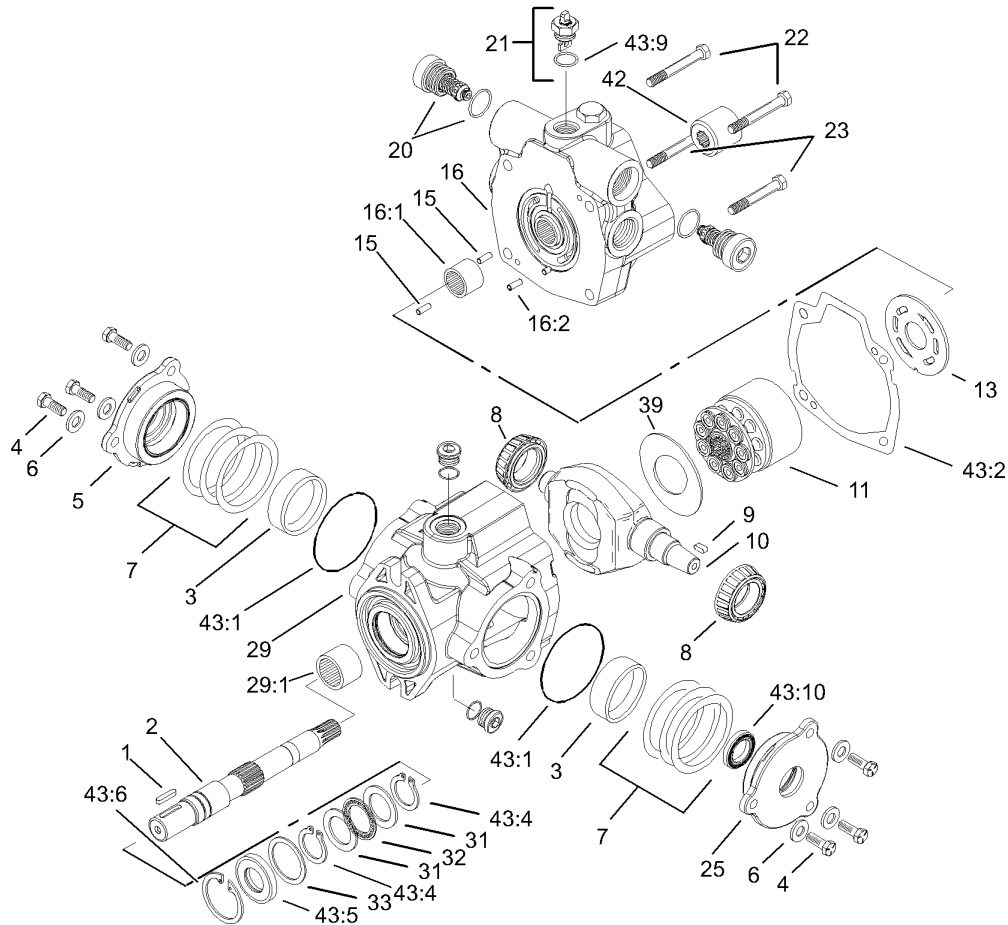
Ref	Part No.	Qty.	Description
22	3253-6	4	Washer-Lock
23	324-7	2	Screw-HH
24	107-2560	3	Mount-Engine
25	322-3	6	Screw-HH
26	93-8069	1	Decal-Surface, Hot
27	3290-379	4	Tie-Cable
30	43-2830	1	Nut-Hex
31	43-5930	2	Washer-Spring
32	33113-016	1	Screw-HH
33	105-8276	1	Harness-Wire, Engine
33:1	106-4642	1	Harness-Wire, Fusible Link



Hydrostat and Gear Pump Drive Assembly

Ref	Part No.	Qty.	Description
1	93-2589	1	Hub-Pump
2		1	Hydrostat / Gear Pump ASM
2:1	105-0494	1	Hydrostat ASM
2:2	104-7737	1	Gear Pump ASM
2:3	60-3520	1	O-Ring
2:4	3274-1	2	Screw-HSH
2:5	3256-24	2	Washer-Flat
3	100-4852	2	Washer-Hardened
4	105-8285	1	Hose-Inlet, Pump
6	3296-29	4	Nut-Lock, NI
7	27-6600	4	Spacer-Coupling
8	44-2230	1	Coupling-Rubber
9	3256-3	4	Washer-Flat
10	322-6	4	Screw-HH
11	3241-2	2	Screw-SQH
12	10-7070	1	Key-Square
13	27-1960	1	Hub-Engine
14	3256-24	1	Washer-Flat
15	2412-34	2	Clamp-Hose
16	3253-21	2	Washer-Lock
17	323-29	2	Screw-HH
18	340-156	1	Fitting-HYD
18:1	237-65	1	O-Ring
18:2	237-81	1	O-Ring

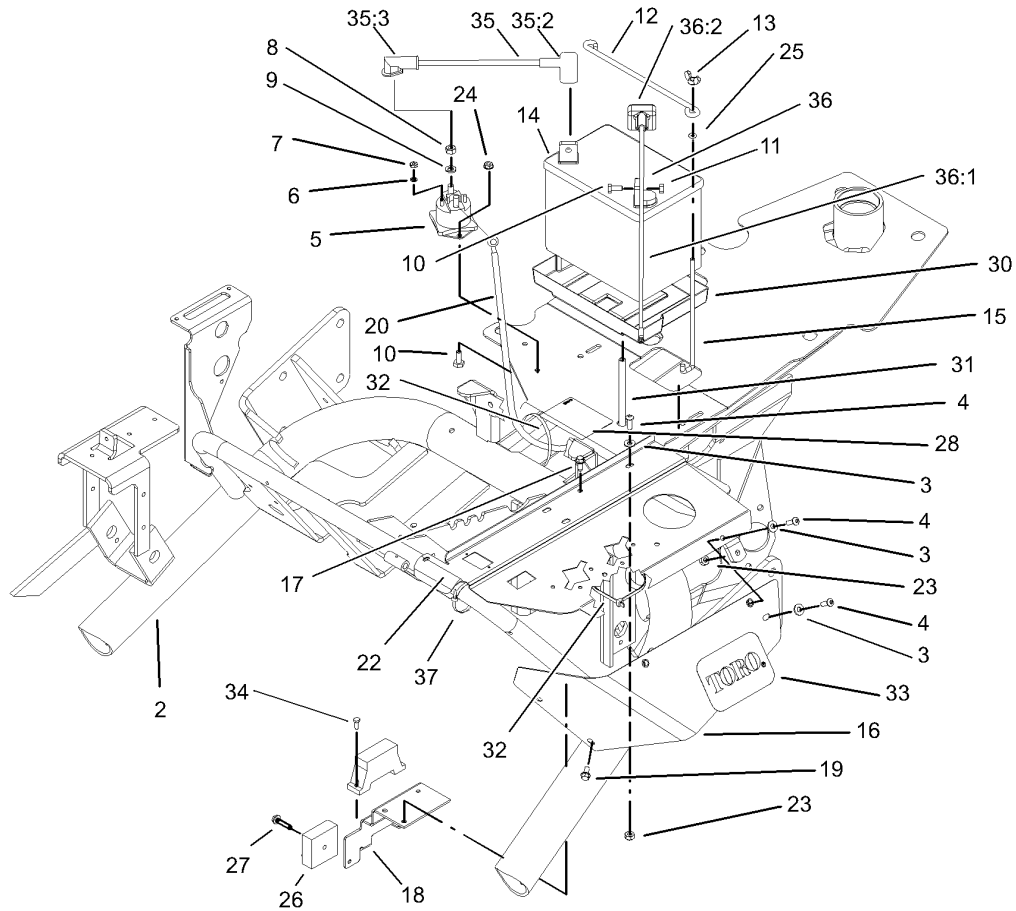
Ref	Part No.	Qty.	Description
19	340-139	1	Fitting-HYD, 90 DEG
19:1	237-81	1	O-Ring
19:2	237-65	1	O-Ring
20	105-8307	1	Tube-HYD, Traction
20:1	237-65	1	O-Ring
21	2412-41	1	Clamp
22	323-4	1	Screw-HH
23	340-18	2	Fitting-HYD, 90 DEG
23:1	237-79	1	O-Ring
23:2	237-22	1	O-Ring
24	340-17	1	Fitting-HYD, 90 DEG
24:1	237-65	1	O-Ring
24:2	237-80	1	O-Ring
25	3241-6	2	Screw-SQH



Hydrostat Assembly No. 105-0494

Ref	Part No.	Qty.	Description
1	94-3645	1	Key
2	94-6359	1	Shaft-Drive
3	104-4046	2	Bearing-Cup
4	98-4640	6	Screw-Cap
5	98-4644	1	Plate-Cover
6	105-9762	6	Washer
7	100-3182	2	Shim Kit
8	98-4639	2	Bearing-Cone
9	94-3646	1	Key
10	100-3175	1	Camplate
11	76-6070	1	Rotating Kit
13	100-3180	1	Valve-Plate
15	76-6150	2	Pin-Dowel
16	105-3813	1	Endcover Sub ASM
16:1	94-6368	1	Bearing
●16:2		1	Pin-Roll
20	105-3812	2	Valve-Check
21	105-3811	1	Valve-Bypass
22	76-6170	2	Capscrew
23	76-6160	2	Capscrew
25	98-4645	1	Plate-Cover
29	100-3176	1	Housing ASM
29:1	94-6363	1	Bearing
31	252-71	2	Washer-Thrust

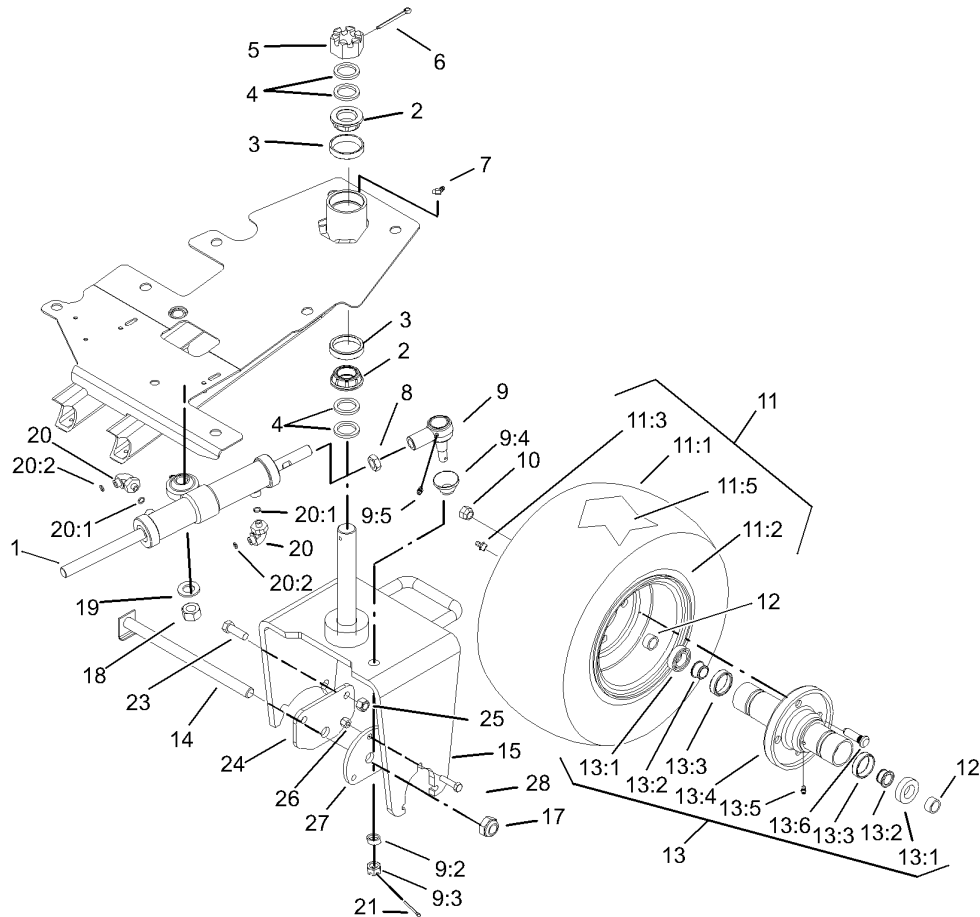
Ref	Part No.	Qty.	Description
32	252-66	1	Bearing-Thrust
33	33-3720	1	Washer
39	98-4635	1	Insert-Plate, Cam
42	74-9040	1	Coupler
43	105-3844	1	Seal Repair Kit
43:1	100-3179	2	O-Ring
43:2	33-4930	1	Gasket-Housing
43:4	32151-29	2	Ring-Retaining
43:5	104-4861	1	Seal-Shaft
43:6	32151-13	1	Ring-Retaining
●43:9		1	O-Ring
●43:10		1	Seal-Shaft



Frame and Battery Assembly

Ref	Part No.	Qty.	Description
2	105-0401-01	1	Frame ASM
3	3256-22	4	Washer-Flat
4	3274-69	4	Screw-HSBH
5	28-4210	1	Solenoid
6	3254-1	2	Washer-Lock, Int
7	3219-14	2	Nut-Hex
8	3218-13	2	Nut-Jam, Brass
9	3253-4	2	Washer-Lock
10	321-3	4	Screw-HH
11	3217-5	2	Nut-Hex
12	100-6434	1	Rod-Battery, Hold Down
13	32103-22	2	Nut-Wing
14	104-8162	1	Battery
15	100-6435	2	Post-Battery
16	105-5411	1	Valve Cover Shield ASM
17	32144-10	1	Screw-HWH
18	105-4310-01	1	Bracket-Fuse
19	32104-116	2	Screw
20	98-2161	1	Cable-Battery, Positive
22	105-0499-03	1	Panel-Control
23	3296-16	2	Nut-Lock, NI
24	32149-2	2	Nut-Keps
25	237-143	2	O-Ring
26	92-2538	1	Module-Timer

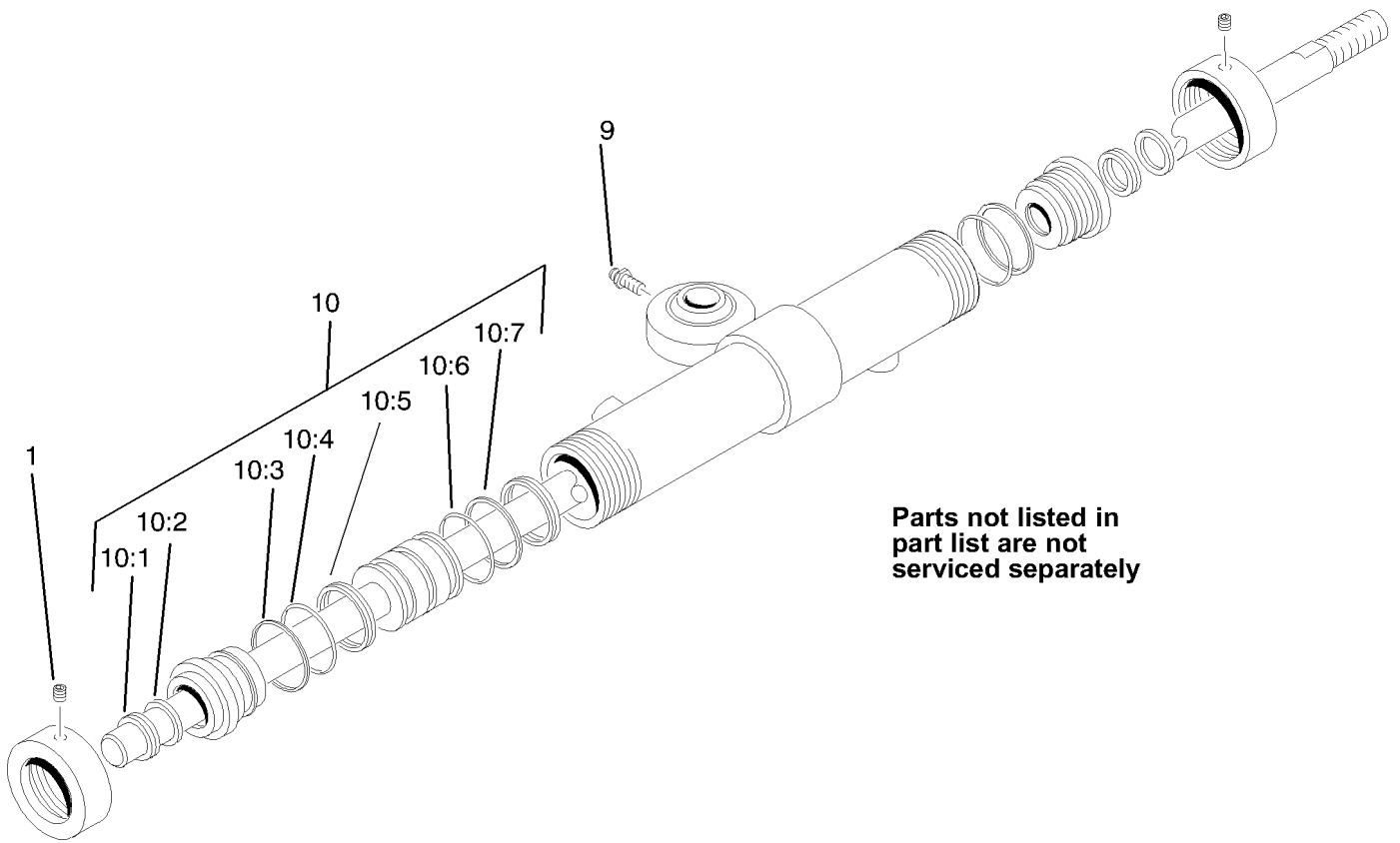
Ref	Part No.	Qty.	Description
27	32144-86	1	Screw-HWHTF
28	93-7276	1	Decal-Danger
30	106948	1	Tray-Battery
31	104-2061	1	Tube-Drain, Battery
32	3290-379	2	Tie-Cable
33	94-2579	1	Decal
34	32144-1	2	Screw-Taptite
35	83-2420	1	Positive Cable ASM
35:2	28-8080	1	Boot-Terminal
35:3	83-2430	1	Boot-Terminal
36	98-2165	1	Negative Cable ASM
36:1	83-1150	1	Engine Ground Wire ASM
36:2	98-0603	1	Boot-Terminal
37	3290-378	1	Tie-Cable



Rear Wheel Assembly

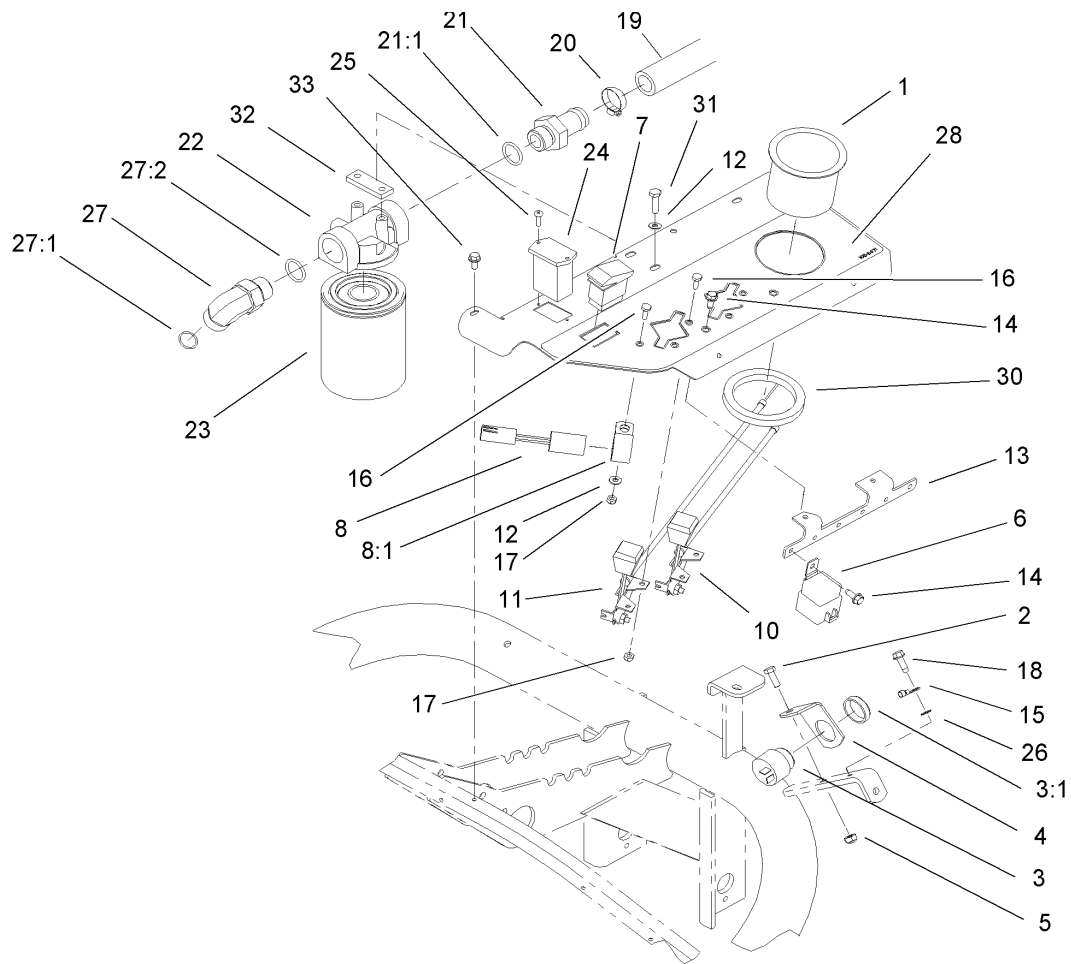
Ref	Part No.	Qty.	Description
1	105-0411	1	Cylinder-Steering
2	254-70	2	Bearing-Cone
3	254-61	2	Cup-Bearing
4	18-6320	4	Washer-Steering
5	32136-9	1	Nut-Hex, Slotted
6	3272-37	1	Pin-Cotter
7	302-11	1	Fitting-Lube, 45 DEG
8	84-5300	1	Nut-Jam
9	107-2553	1	Rod End ASM
9:2	98-2389	1	Spacer-Link, Pull
9:3	32136-2	1	Nut-SHH
9:4	106-6896	1	Seal
9:5	302-5	1	Fitting-Grease
10	242-50	4	Nut-Lug
11		1	Wheel And Tire ASM
11:1	28-3680	1	Tire
11:2	217-60	1	Rim
11:3	232-27	1	Stem-Valve
11:5	232-37	1	Tube
12	74-3730	2	Spacer-Spindle, Rear
13	72-9710	1	Hub-Tire
13:1	253-111	2	Seal-Oil
13:2	254-78	2	Bearing-Cone
13:3	254-79	2	Bearing-Roller, Cup

Ref	Part No.	Qty.	Description
13:4	75-9440	1	Hub ASM
13:5	302-11	1	Fitting-Lube, 45 DEG
13:6	10-6830	4	Stud-Type, Drive
14	5-3934	1	Bolt-Caster
15	93-2529-01	1	Fork-Castor ASM
17	3296-67	1	Nut-Lock NI
18	3217-12	1	Nut-Hex
19	3256-28	1	Washer-Flat
20	340-132	2	Fitting-HYD, 90 DEG
20:1	237-78	1	O-Ring
20:2	237-21	1	O-Ring
21	3272-12	1	Pin-Cotter
23	325-6	2	Screw-HH
24	99-1485-01	1	Plate-Adapter, Motor
25	3296-23	2	Nut-Lock, NI
26	3296-39	3	Nut-Lock, NI
27	99-1486-01	1	Plate-Adapter
28	323-8	3	Screw-HH



Hydraulic Cylinder Assembly No. 105-0411

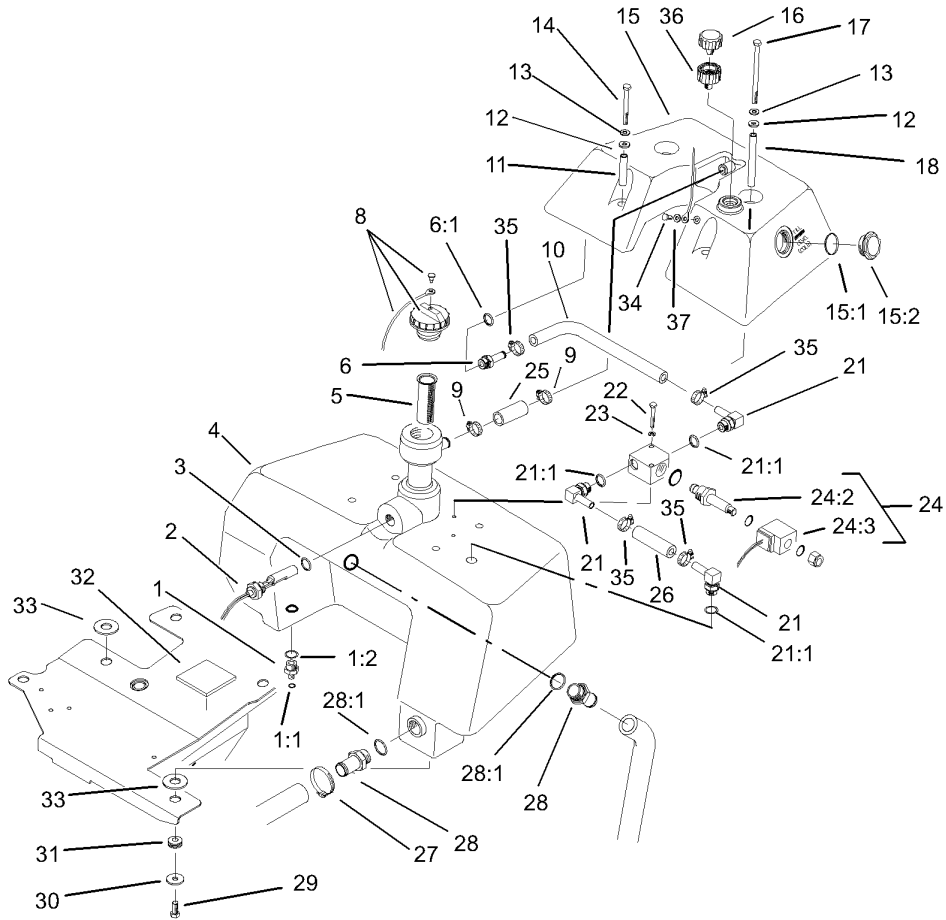
Ref	Part No.	Qty.	Description
1	3245-1	2	Screw-Set, HSH
9	302-5	1	Fitting-Grease
10	83-2380	1	Seal Repair Kit
②10:1		2	Wiper-Rod
②10:2		2	U-Cup-Double Lip
②10:3		2	Ring-Back-Up
②10:4		2	O-Ring
②10:5		2	Ring-Wear
②10:6		1	O-Ring
②10:7		1	O-Ring



Control Panel Assembly

Ref	Part No.	Qty.	Description
1	94-1410	1	Holder-Can, Beverage
2	321-4	1	Screw-HH
3	80-9330	1	Alarm-Audio
3:1	104-5107	1	Nut-Plastic, Knurled
4	83-1530	1	Bracket-Support, Buzzer
5	3296-16	1	Nut-Lock, NI
6	99-7430	6	Relay
7	105-4320	1	Switch
8	83-2280	1	Timer-Delay
8:1	98-4604	1	R-Clamp
10	83-0040	1	Control-Choke
11	83-0030	1	Control-Throttle
12	3256-22	3	Washer-Flat
13	105-4306-03	1	Bracket-Relay
14	32144-10	8	Screw-HWH
15	83-1150	1	Engine Ground Wire ASM
16	3290-134	5	Screw
17	3296-12	5	Nut-Lock
18	32104-95	1	Screw-HWH
19	105-5410	1	Hose ASM
20	2412-34	1	Clamp-Hose
21	99-3017	1	Fitting
21:1	237-81	1	O-Ring
22	92-5821	1	Filter Head ASM

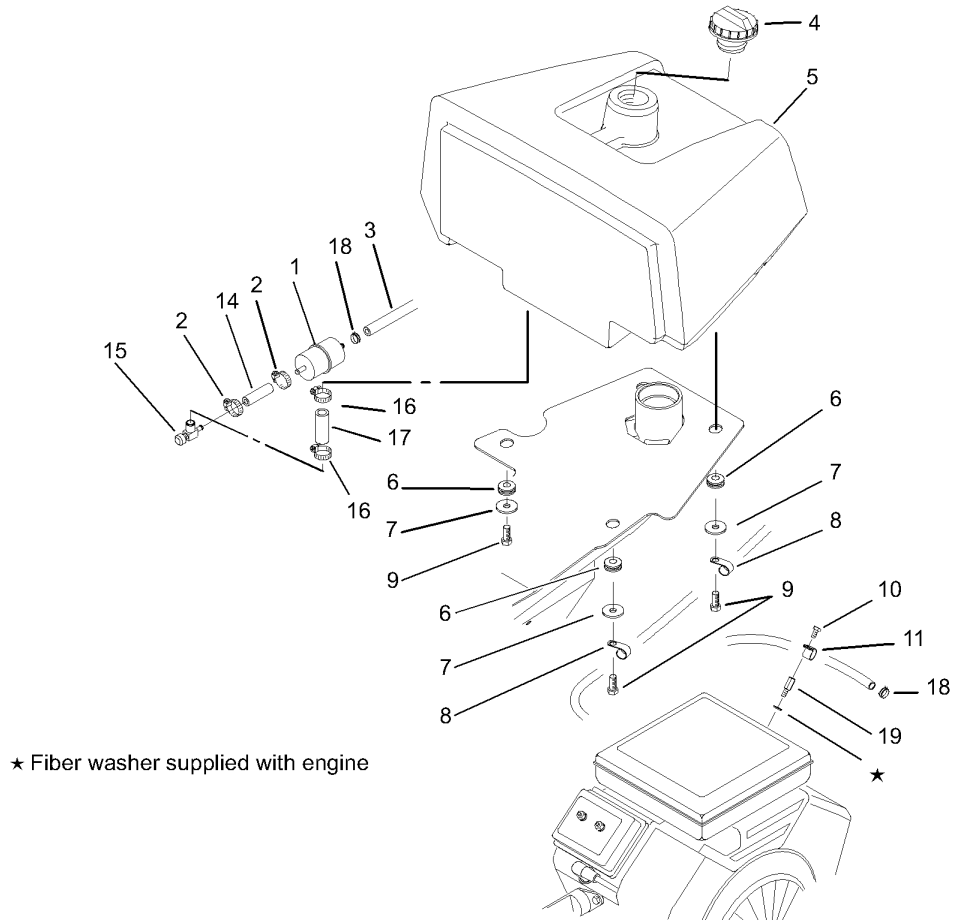
Ref	Part No.	Qty.	Description
23	107-9531	1	Element-Filter
24	75-6820	1	Hourmeter
25	32144-18	2	Screw-HH
26	3255-7	1	Washer-Lock / EXT
27	340-142	1	Fitting-HYD, 90 DEG
27:1	237-58	1	O-Ring
27:2	237-81	1	O-Ring
28	105-5471	1	Decal-Panel, Left Control
30	104-1476	1	Ring-Rubber
31	321-5	2	Screw-HH
32	105-4309	1	Plate-Filter
33	32104-116	1	Screw



Hydraulic Reservoir and Leak Detector Assembly

Ref	Part No.	Qty.	Description
1	340-3	1	Adapter
1:1	237-22	1	O-Ring
1:2	237-79	1	O-Ring
2	83-1450	1	Sensor-Level, Oil
3	237-80	1	O-Ring
4	105-9783	1	Tank-HYD
5	83-1520	1	Screen-Filler
6	354-121	1	Fitting-HYD, Straight
6:1	237-79	1	O-Ring
8	93-7160	1	Cap-Oil, HYD
9	2412-141	2	Clamp-Drive, Worm
10	83-2070	1	Hose-Valve
11	83-1550	2	Spacer-Tube, Short
12	83-1470	4	Washer-Neoprene
13	3256-71	4	Washer-Flat
14	322-14	2	Screw-HH
15	83-2100	1	Tank-Auxiliary, HYD
15:1	94-8166	1	O-Ring
15:2	83-2250	1	Guage-Sight
16	68-6150	1	Breather
17	322-29	2	Screw-HH
18	83-1560	2	Spacer-Tube, Long
21	354-120	3	Fitting-HYD, 90 DEG
21:1	237-79	1	O-Ring

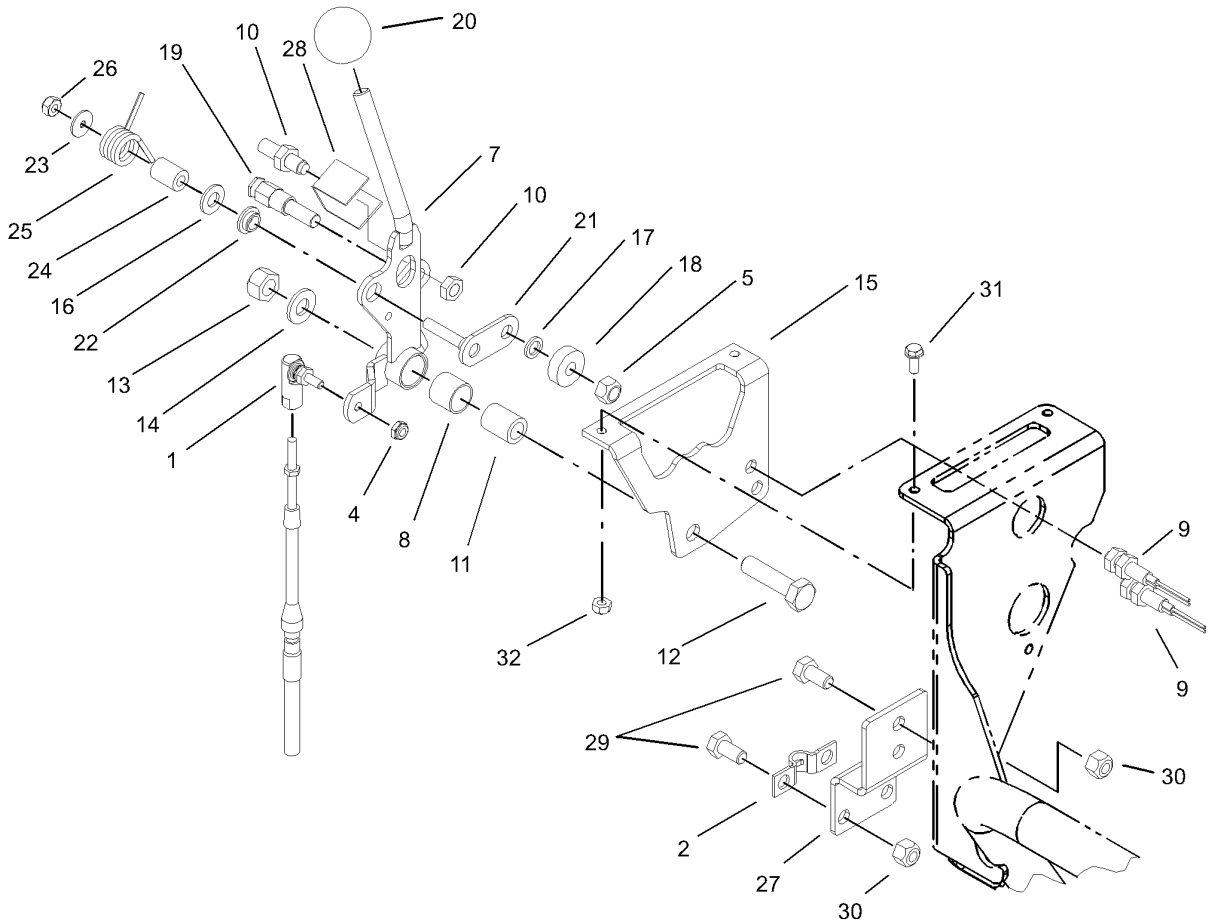
Ref	Part No.	Qty.	Description
22	321-11	2	Screw-HH
23	3253-3	2	Washer-Lock
24	83-1460	1	Solenoid Valve ASM
24:2	83-2000	1	Spool-Valve
24:3	83-2010	1	Coil ASM
25	83-2090	1	Hose-Overflow
26	83-2080	1	Hose-Valve, Tank
27	2412-34	1	Clamp-Hose
28	83-0870	2	Fitting-Hose, Barbed
28:1	237-177	1	O-Ring
29	323-6	3	Screw-HH
30	63-8410	3	Washer
31	240-11	3	Bushing-Flange
32	83-2390	1	Pad-Tank
33	83-2400	2	Spacer
34	321-2	1	Screw-HH
35	2412-36	4	Clamp-Hose
36	92-8020	1	Adapter-Breather
37	3256-22	1	Washer-Flat



Fuel Tank Assembly

Ref	Part No.	Qty.	Description
1	94-2690	1	Filter-Fuel
2	2412-108	2	Clamp-Worm
3	83-2041	1	Hose-Fuel
4	93-7170	1	Cap-Fuel
5	105-8266	1	Tank-Fuel
6	240-11	4	Bushing-Flange
7	63-8410	4	Washer
8	2412-41	3	Clamp
9	323-6	4	Screw-HH
10	33113-012	1	Screw-HH
11	2412-94	1	Clamp
14	105-8342	1	Hose-Fuel
15	83-1390	1	Valve-Shut-Off, Fuel
16	2412-36	2	Clamp-Hose
17	56-2230	1	Hose-Fuel
18	2412-98	2	Clamp
19	106-4616	1	Screw-Spacer

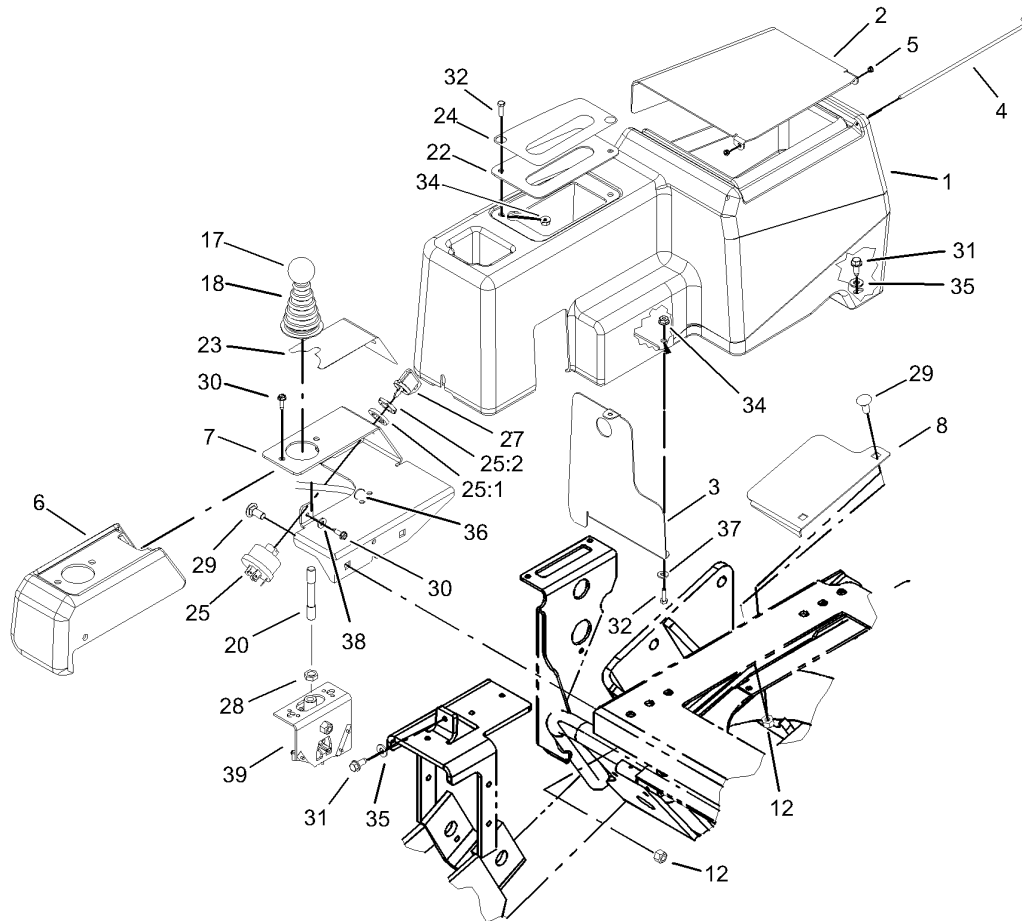
--	--	--	--



Speed Selector Lever Assembly

Ref	Part No.	Qty.	Description
1	2411-38	1	Joint-Ball
2	93-2279	1	Clamp-Cable
4	3296-27	1	Nut-Lock NI
5	33024-00	1	Nut-Lock
7	94-9611	1	Handle
8	256-311	1	Bushing-Split
9	93-2055	2	Sensor-Switch, Reed
10	93-2056	1	Actuator-Switch, Reed
11	94-1378	1	Tube-Pivot, Handle
12	33115-040	1	Screw-HH
13	33025-00	1	Nut-Lock
14	3256-24	1	Washer-Flat
15	94-6398	1	Bracket-Traction
16	3256-23	1	Washer-Flat
17	75-5470	1	Spacer-Bearing
18	251-259	1	Bearing-Ball
19	94-9617	1	Pin-Spring
20	233-42	1	Knob
21	94-9614	1	Pivot-Roller
22	94-9619	1	Bushing
23	3256-67	1	Washer-Flat
24	94-9618	1	Spacer-Spring
25	94-9620	1	Spring-Torsion
26	33023-00	1	Nut-Lock

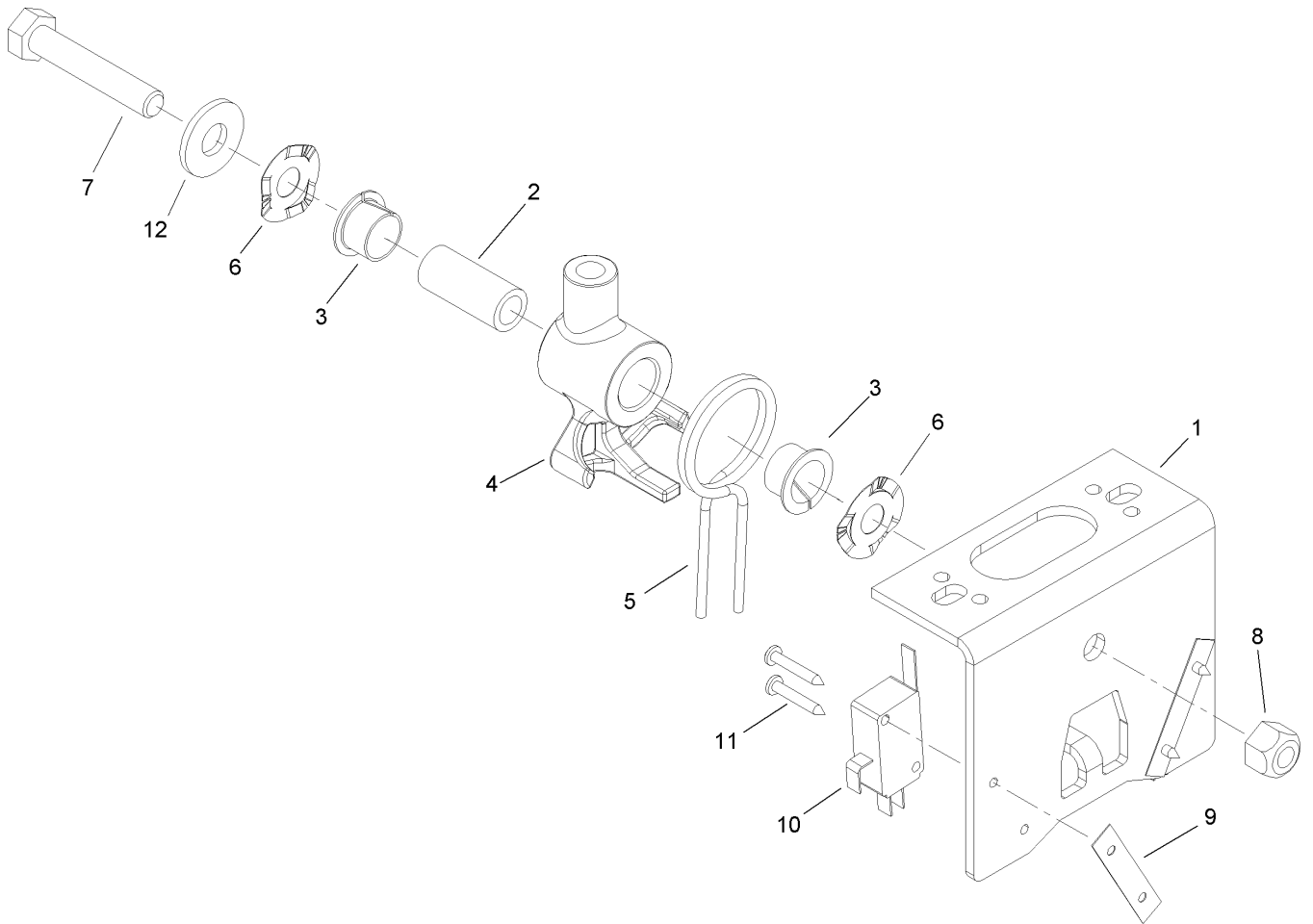
Ref	Part No.	Qty.	Description
27	105-5417-03	1	Bracket-Cable, Shifter
28	106-6356	1	Shield-Switch
29	322-2	4	Screw-HH
30	3296-29	4	Nut-Lock, NI
31	3290-321	2	Screw-HWH
32	3296-12	2	Nut-Lock



Joystick and Console Assembly

Ref	Part No.	Qty.	Description
1	105-8250	1	Console
2	105-8254-03	1	Lid-Console
3	105-8255-03	1	Baffle-Console
4	105-8256	1	Rod-Hinge
5	105-8283	2	Bushing
6	105-8251	1	Pod
7	105-8252-03	1	Bracket-Pod
8	105-8284-03	1	Shield-Valve
12	3296-29	4	Nut-Lock, NI
17	233-42	1	Knob
18	93-5961	1	Boot-Lever
20	105-8288	1	Rod-Joystick
22	105-8280-03	1	Plate-Console
23	105-8305	1	Decal-Panel, Control
24	105-8306	1	Decal-Selector, Speed
25	88-9830	1	Key Switch ASM
25:1	3254-5	1	Washer-Tooth
25:2	218-461	1	Nut-HH
27	63-8360	2	Key-Ignition
28	3218-3	1	Nut-Jam
29	3230-1	4	Bolt-CARR
30	32144-19	4	Screw-SHWH
31	32144-10	3	Screw-HWH
32	3290-134	4	Screw

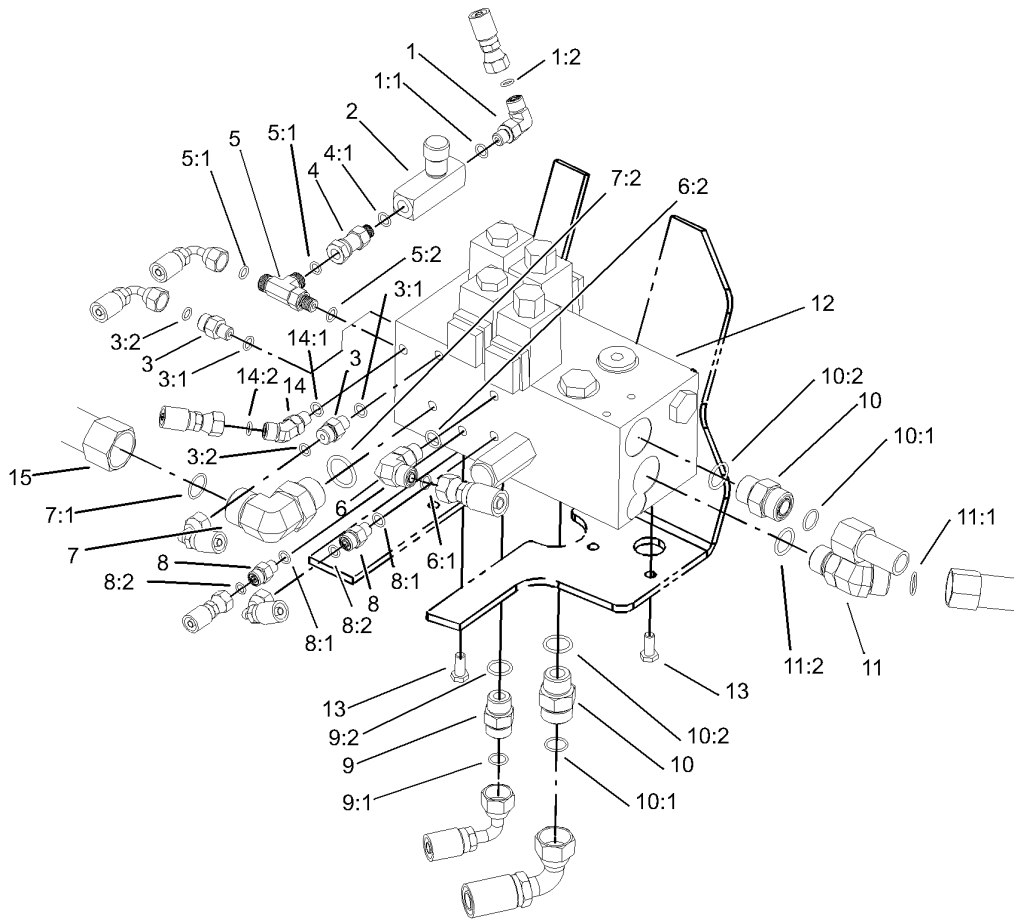
Ref	Part No.	Qty.	Description
34	3290-148	4	Nut-HF
35	3256-22	3	Washer-Flat
36	3290-378	1	Tie-Cable
37	3256-77	2	Washer-Flat
38	3256-14	2	Washer-Flat
39		1	Joystick Bracket ASM



Joystick Bracket Assembly No. 106-4167

Ref	Part No.	Qty.	Description
1	106-4168-03	1	Bracket-Joystick
2	106-4192	1	Spacer
3	93-5547	2	Bushing-Nylon
4	105-7507	1	Hub-Pivot, Joystick
5	105-8289	1	Spring-Torsion
6	106-4193	2	Washer-Finger, Spring
7	322-9	1	Screw-HH
8	3296-29	1	Nut-Lock, NI
9	3290-354	2	Nut-Speed
10	111332	2	Switch
11	95-3003	4	Screw-HH
12	3256-3	1	Washer-Flat

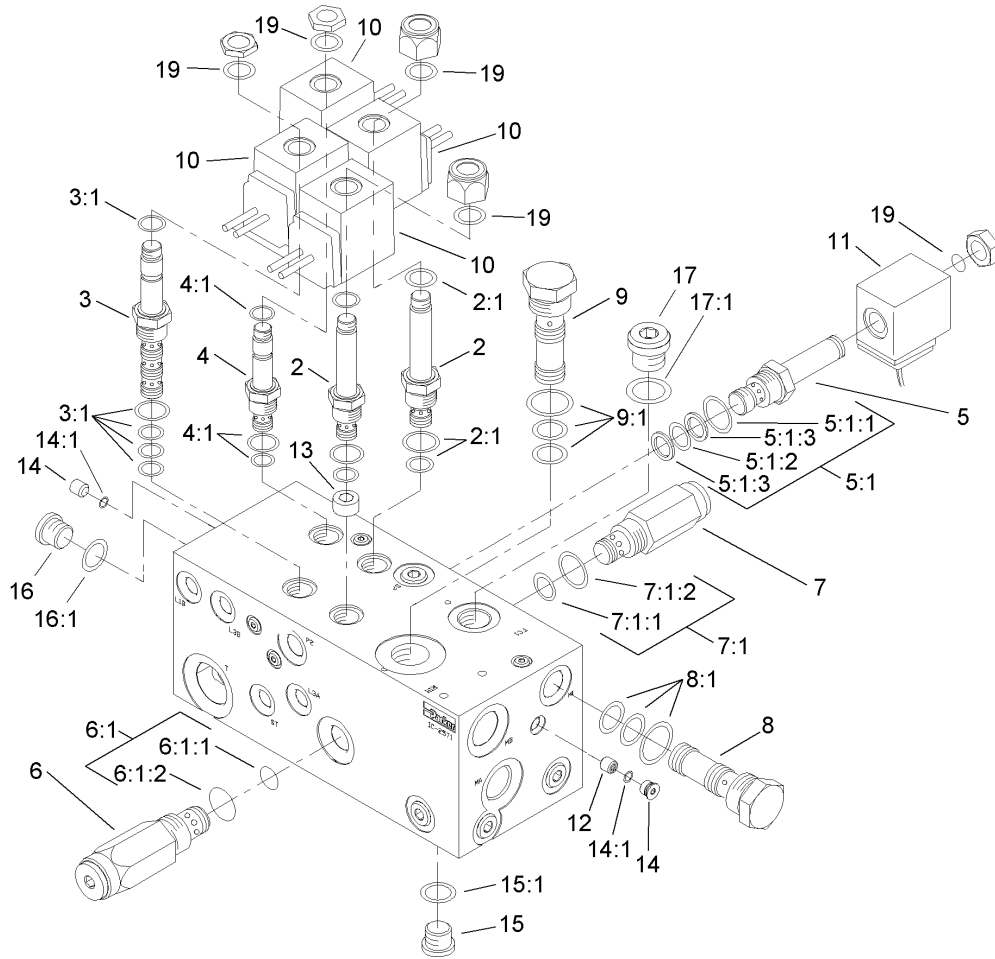
--	--	--	--



Hydraulic Manifold Assembly

Ref	Part No.	Qty.	Description
1	340-132	1	Fitting-HYD, 90 DEG
1:1	237-78	1	O-Ring
1:2	237-21	1	O-Ring
2	93-7489	1	Orifice Valve ASM
3	95-1639	2	Fitting-HYD
3:1	237-78	1	O-Ring
3:2	237-21	1	O-Ring
4	104-3777	1	Connector-Swivel, Straight
4:1	237-78	1	O-Ring
5	340-140	1	Adapter-Tee
5:1	237-21	2	O-Ring
5:2	237-78	1	O-Ring
6	340-77	1	Fitting-HYD, 90 DEG
6:1	237-22	1	O-Ring
6:2	237-42	1	O-Ring
7	340-142	1	Fitting-HYD, 90 DEG
7:1	237-58	1	O-Ring
7:2	237-81	1	O-Ring
8	340-92	2	Fitting-HYD, Straight
8:1	237-78	1	O-Ring
8:2	237-21	1	O-Ring
9	340-4	1	Fitting-HYD, Straight
9:1	237-30	1	O-Ring
9:2	237-79	1	O-Ring

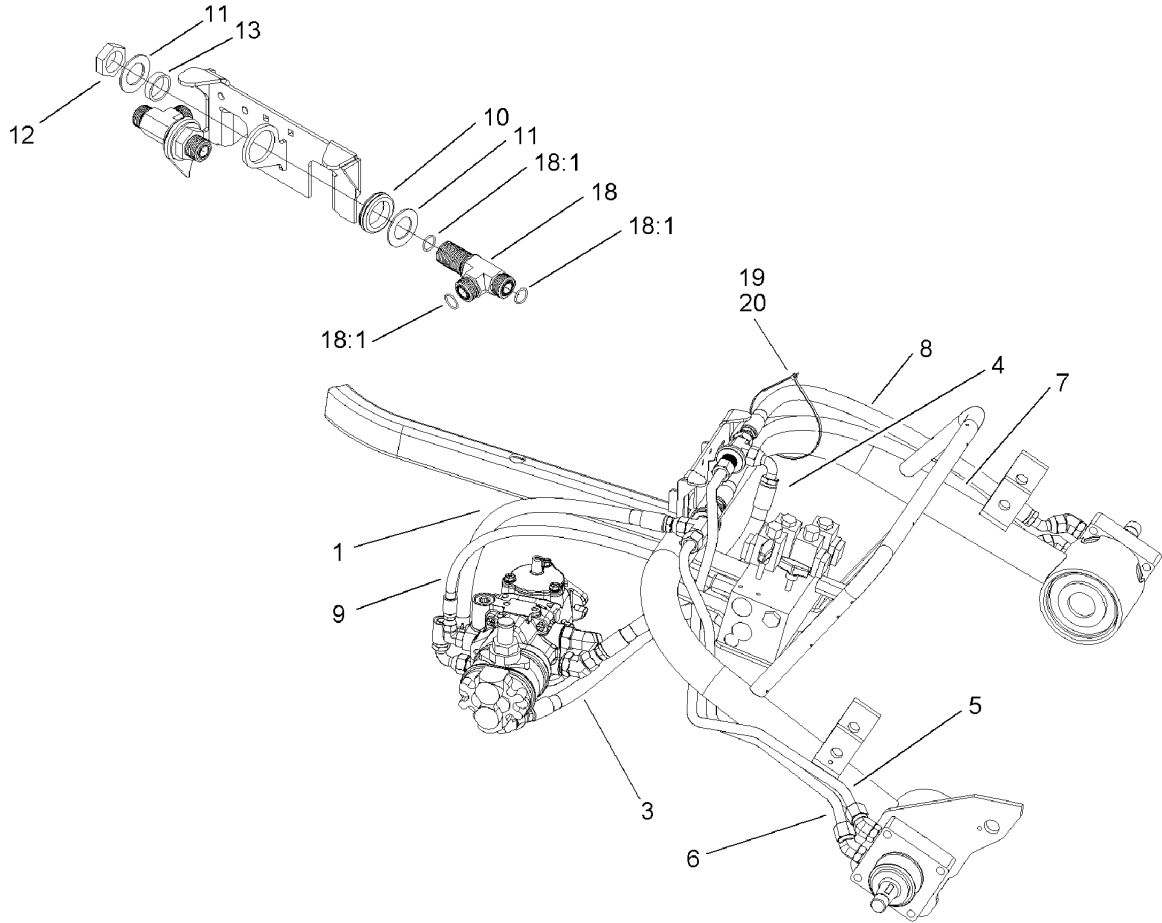
Ref	Part No.	Qty.	Description
10	340-7	2	Adapter
10:1	237-65	1	O-Ring
10:2	237-80	1	O-Ring
11	340-14	1	Fitting-HYD, 45 DEG
11:1	237-65	1	O-Ring
11:2	237-80	1	O-Ring
12	106-9005	1	Manifold ASM
13	33114-016	2	Screw-HH
14	340-103	1	Fitting-HYD, 45 DEG
14:1	237-78	1	O-Ring
14:2	237-21	1	O-Ring
15	105-5460	1	Tube-HYD, Manifold/Filter



Manifold Assembly No. 106-9005

Ref	Part No.	Qty.	Description
2	93-7494	2	Cartridge
2:1	95-5645	1	Seal Kit
3	94-2627	1	Cartridge
3:1	95-5642	1	Seal Kit
4	92-6315	1	Cartridge-Poppet, N.C.
4:1	95-5645	1	Seal Kit
5	106-9087	1	Spool-Type, Stem
5:1	105-3334	1	Seal Kit
●5:1:1		1	O-Ring
●5:1:2		1	O-Ring
●5:1:3		2	Ring-Backup
6	95-1601	1	Cartridge-Relief
6:1	95-5645	1	Seal Kit
●6:1:1		1	O-Ring
●6:1:2		1	O-Ring
7	94-6351	1	Cartridge-Relief
7:1	95-5645	1	Seal Kit
●7:1:1		1	O-Ring
●7:1:2		1	O-Ring
8	94-6353	1	Plug-Cavity
8:1	69-4240	1	Seal Kit
9	94-6352	1	Plug-Cavity
9:1	104-7730	1	Seal Kit
10	88-9190	4	Solenoid Coil Kit

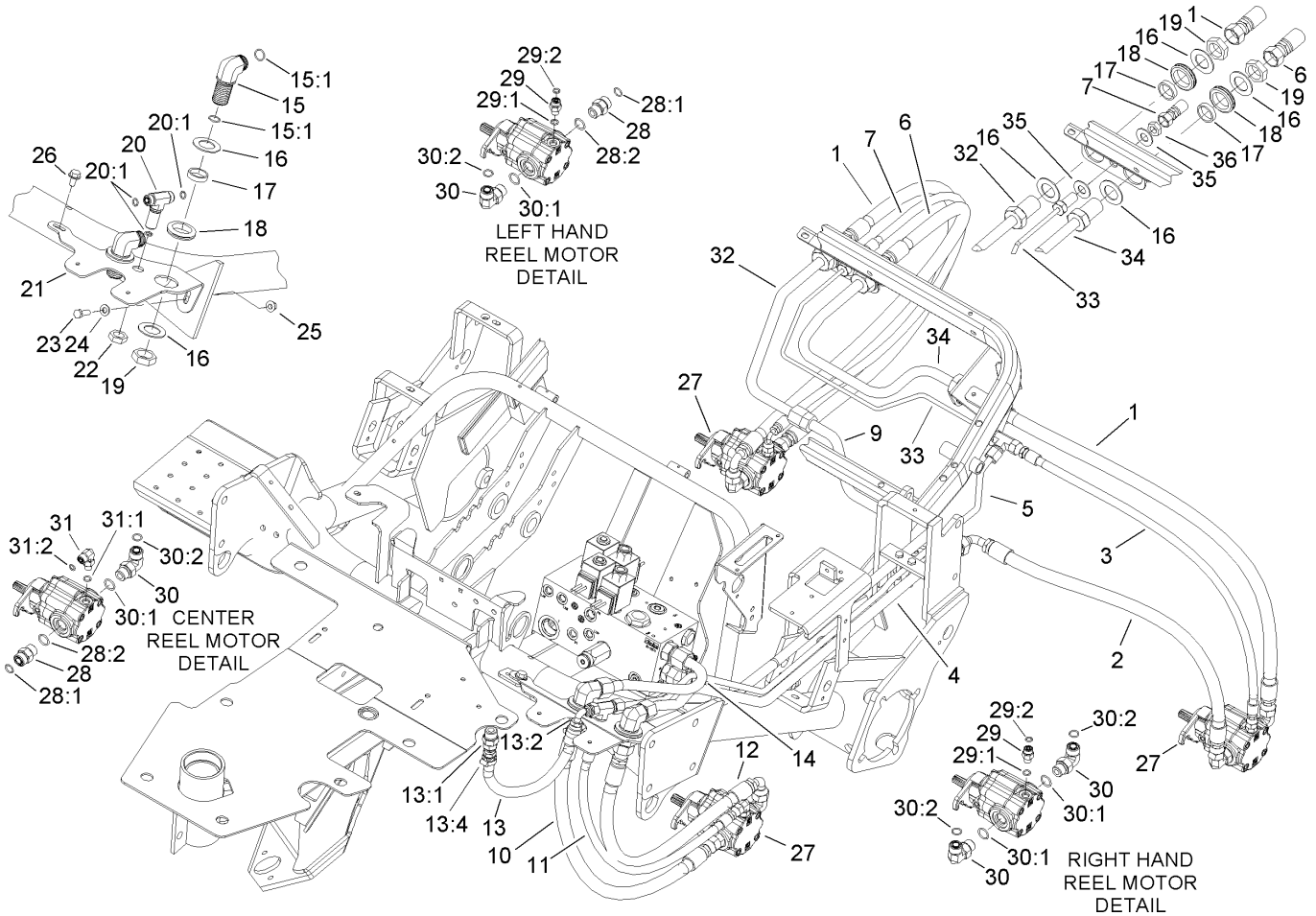
Ref	Part No.	Qty.	Description
11	106-9086	1	Coil-Solenoid
12	106-9084	1	Plug-Orifice
13	106-9083	1	Plug-Orifice
14	353-991	8	Plug-Hex, Hollow
14:1	237-156	1	O-Ring
15	353-989	7	Plug-Hex, Hollow
15:1	237-42	1	O-Ring
16	353-988	1	Plug-Hex
16:1	237-79	1	O-Ring
17	354-70	1	Plug-Hex, Hollow
17:1	237-80	1	O-Ring
19	94-5438	8	Seal-Washer



Hydraulic Traction Assembly

Ref	Part No.	Qty.	Description
1	99-6193	1	Hose ASM
3	105-4342	1	Hose ASM
4	105-4332	1	Hose ASM
5	105-5490	1	Tube-HYD
6	105-5489	1	Tube-HYD
7	105-4333	1	Hose ASM
8	105-4336	1	Hose ASM
9	105-4343	1	Hose ASM
10	240-3	2	Grommet-Rubber
11	69-9010	4	Washer
12	340-74	2	Locknut-Bulkhead
13	69-9000	2	Spacer
18	94-5350	2	Tee-Bulkhead
18:1	237-65	3	O-Ring
19	3290-378	1	Tie-Cable
20	3290-379	1	Tie-Cable

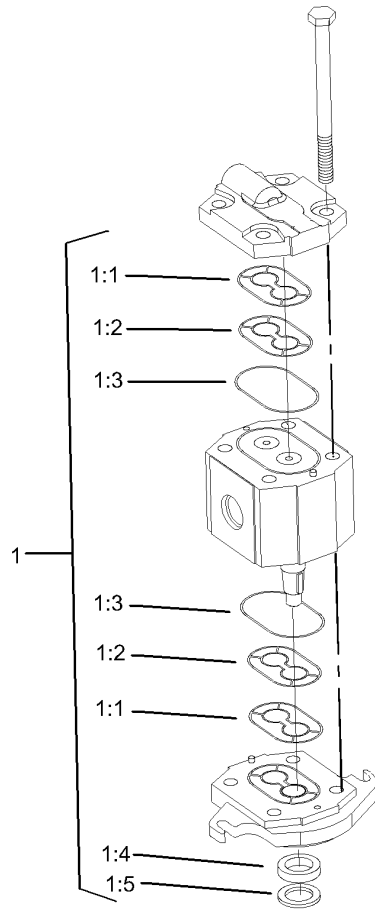
--	--	--	--



Hydraulic Reel Drive Assembly

Ref	Part No.	Qty.	Description
1	95-2908	2	Hose ASM
2	105-5404	1	Hose ASM
3	105-5405	1	Hose ASM
4	105-5493	1	Tube-HYD
5	105-4327	1	Tube-HYD, Casedrain
6	95-2909	1	Hose ASM
7	93-2264	1	Hose ASM
9	107-2582	1	Tube-HYD
9:1	237-65	1	O-Ring
10	105-5400	1	Hose ASM
11	105-5402	1	Hose ASM
12	105-5401	1	Hose ASM
13	105-5409	1	Hose ASM
13:1	105-8311	1	Fitting-HYD
13:2	105-8312	1	Fitting-HYD, 90
13:4	2412-141	2	Clamp-Drive, Worm
14	105-5482	1	Tube-HYD, Manifold/Center Reel
15	340-72	2	Fitting-Bulkhead, 90 DEG
15:1	237-65	2	O-Ring
16	69-9010	8	Washer
17	69-9000	4	Spacer
18	240-3	4	Grommet-Rubber
19	340-74	4	Locknut-Bulkhead
20	105-8281	1	Tee-Bulkhead

Ref	Part No.	Qty.	Description
20:1	237-22	3	O-Ring
21	105-8253-01	1	Bracket-Bulkhead
22	340-70	1	Nut-Lock
23	322-5	1	Screw-HH
24	3256-23	1	Washer-Flat
25	32128-20	1	Nut-HF
26	32144-14	3	Screw-HWH
27	100-6426	3	HYD Motor ASM
28	340-4	2	Fitting-HYD, Straight
28:1	237-30	1	O-Ring
28:2	237-79	1	O-Ring
29	340-92	2	Fitting-HYD, Straight
29:1	237-78	1	O-Ring
29:2	237-21	1	O-Ring
30	340-98	4	Fitting-HYD, 90 DEG
30:1	237-79	1	O-Ring
30:2	237-30	1	O-Ring
31	340-132	1	Fitting-HYD, 90 DEG
31:1	237-78	1	O-Ring
31:2	237-21	1	O-Ring
32	107-2581	1	Tube-HYD
32:1	237-65	1	O-Ring
33	107-2583	1	Tube-HYD
33:1	237-21	1	O-Ring

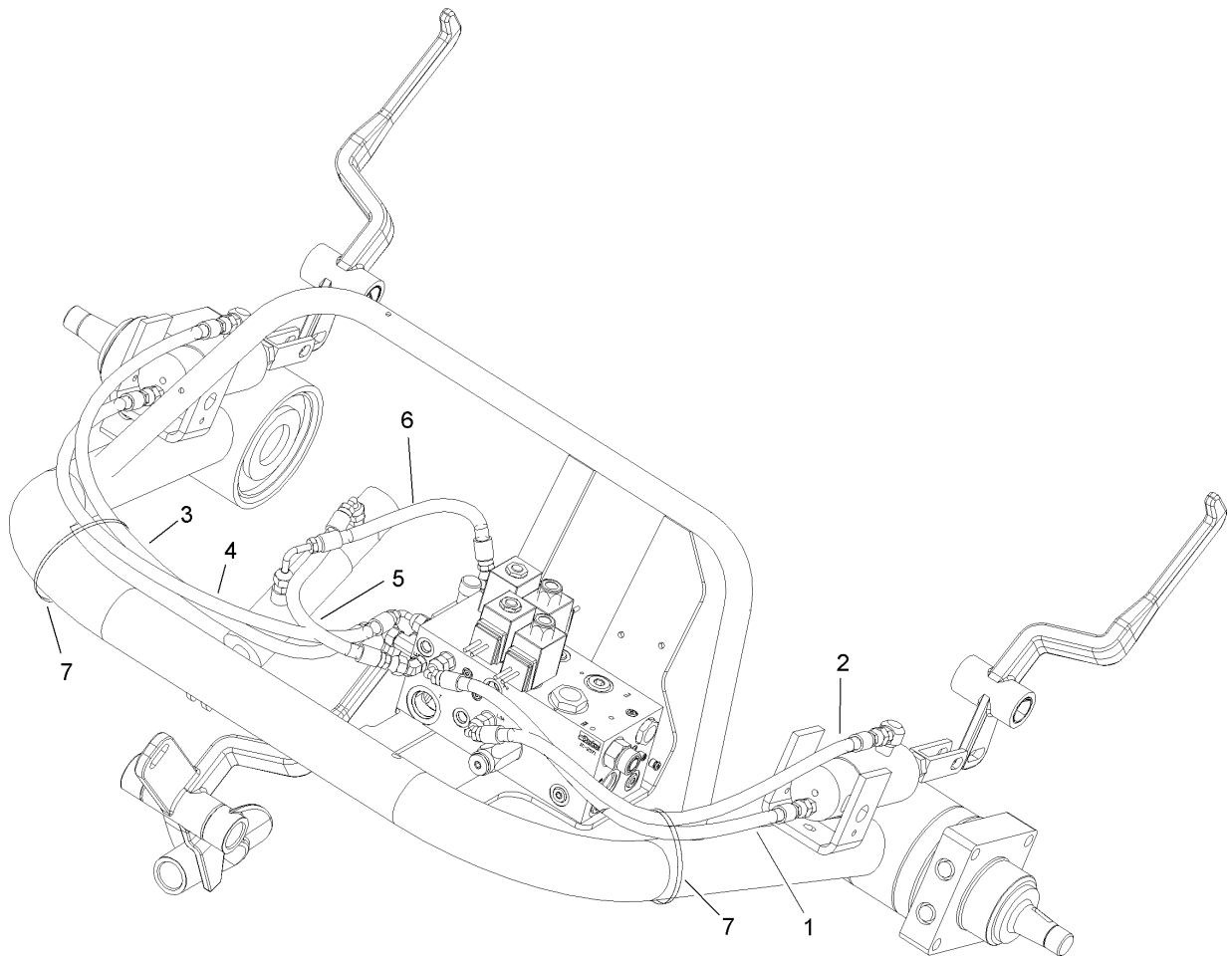


Parts not listed in
part list are not
serviced separately

Hydraulic Motor Assembly No. 100-6426

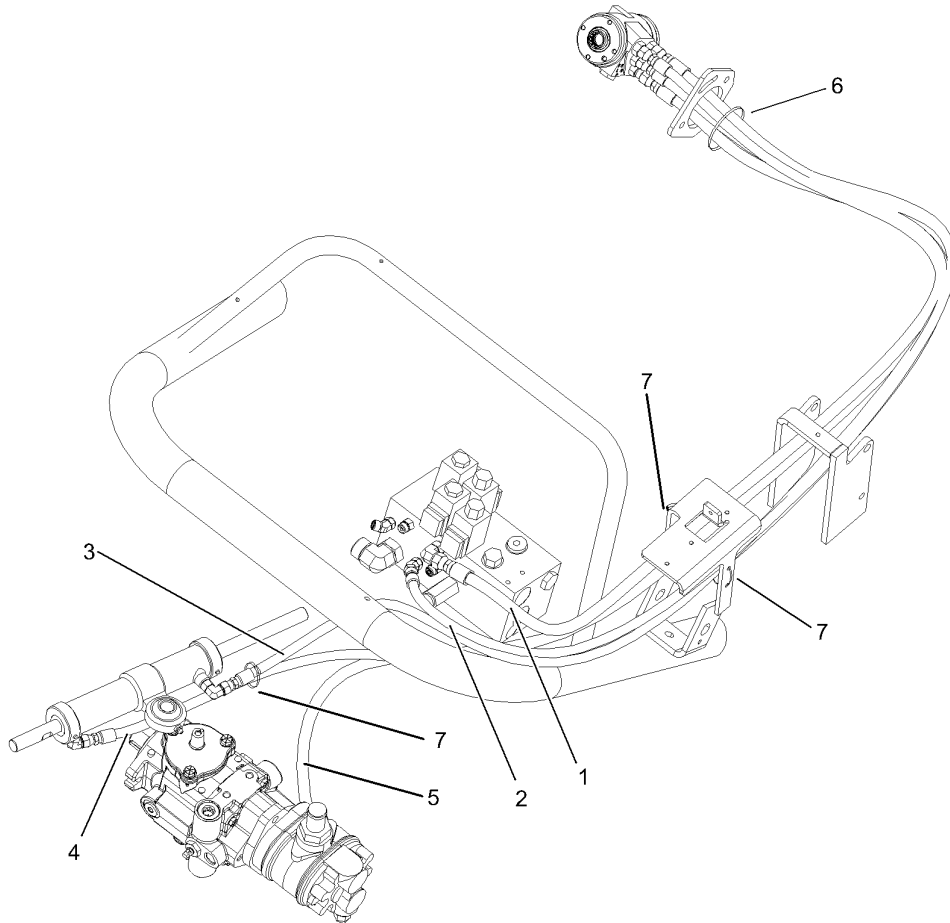
Ref	Part No.	Qty.	Description
1	105-9758	1	Seal Kit
② 1:1		2	Seal-Extrusion, Anti
② 1:2		2	Seal-Pressure
② 1:3		2	O-Ring
② 1:4		1	Seal-Shaft
② 1:5		1	Washer-Backup

--	--	--	--



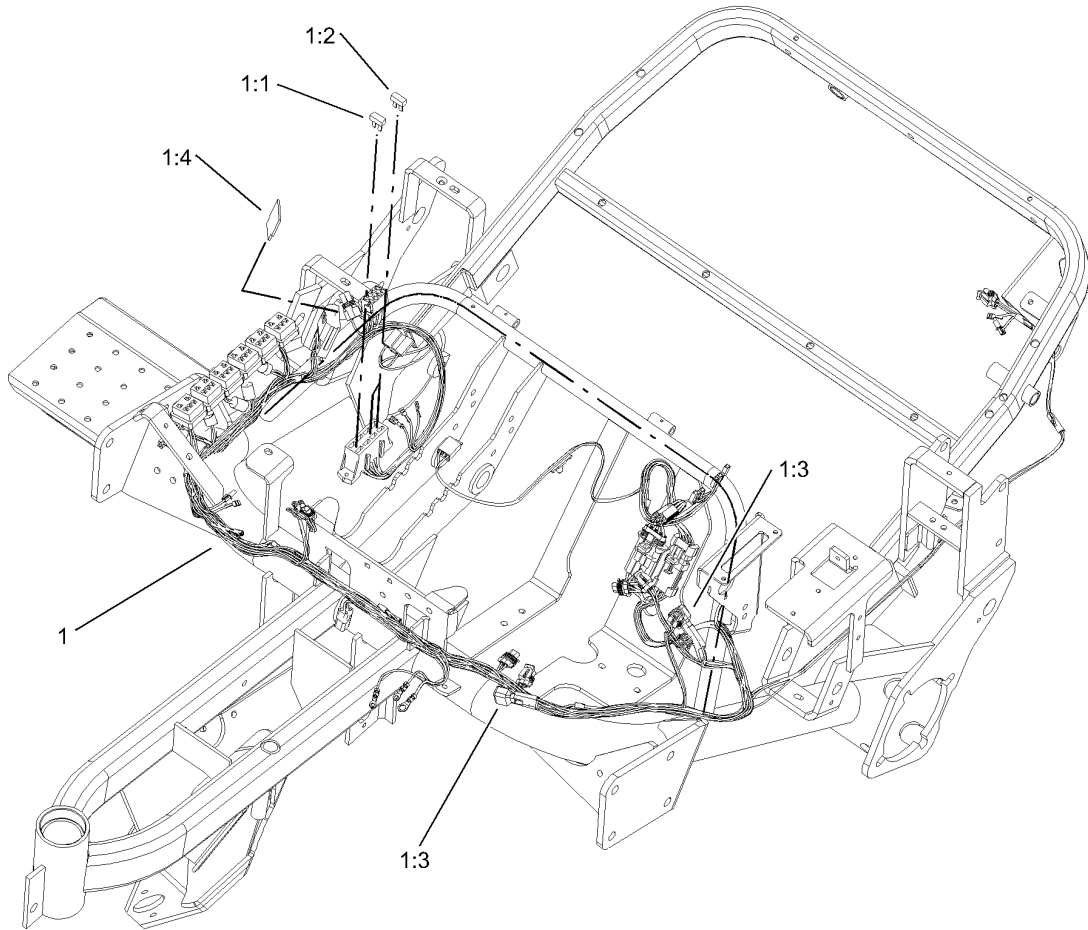
Hydraulic Lift Assembly

Ref	Part No.	Qty.	Description				
1	105-4346	1	HYD Hose ASM				
2	105-4347	1	HYD Hose ASM				
3	100-3833	1	HYD Hose ASM				
4	95-8837	1	HYD Hose ASM				
5	94-3477	1	HYD Hose ASM				
6	105-4345	1	HYD Hose ASM				
7	3290-379	2	Tie-Cable				



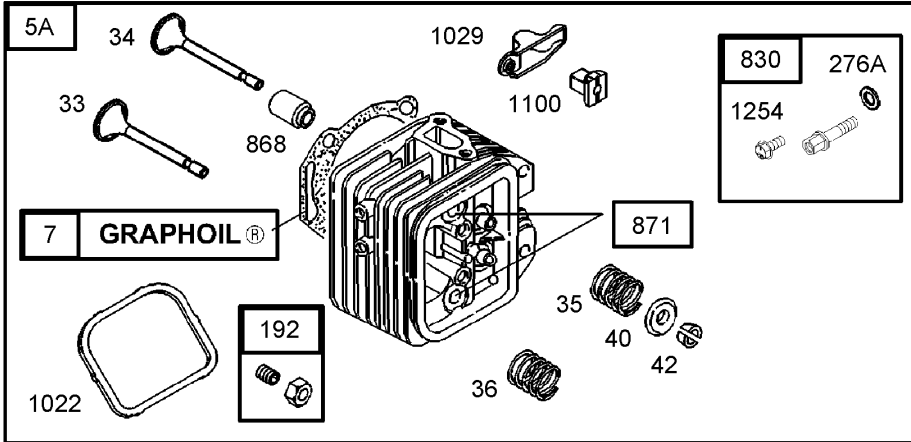
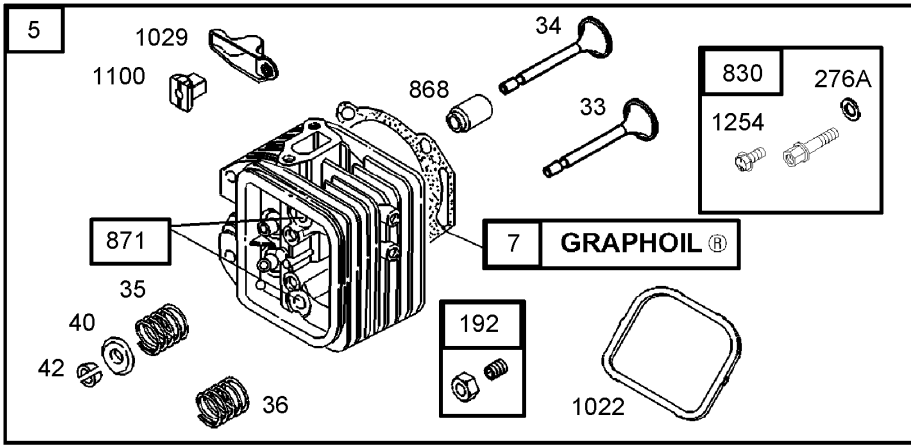
Hydraulic Steering Assembly

Ref	Part No.	Qty.	Description
1	105-4339	1	HYD Hose ASM
2	105-4338	1	HYD Hose ASM
3	105-4337	1	HYD Hose ASM
4	100-4892	1	Hose ASM
5	105-4340	1	HYD Hose ASM
6	3334-945	1	Tie-Cable
7	3290-378	3	Tie-Cable



Wire Harness Routing Assembly

Ref	Part No.	Qty.	Description				
1	106-9006	1	Wire-Harness, Main				
1:1	218-578	2	Fuse-10 Amp				
1:2	109101	1	Fuse-20 Amp				
1:3	100-4918	2	Diode				
1:4	92-3188	1	Diode-Board, Circuit				
1:5	106-4641	1	Harness-Wire, Fusible Link				

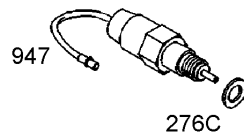
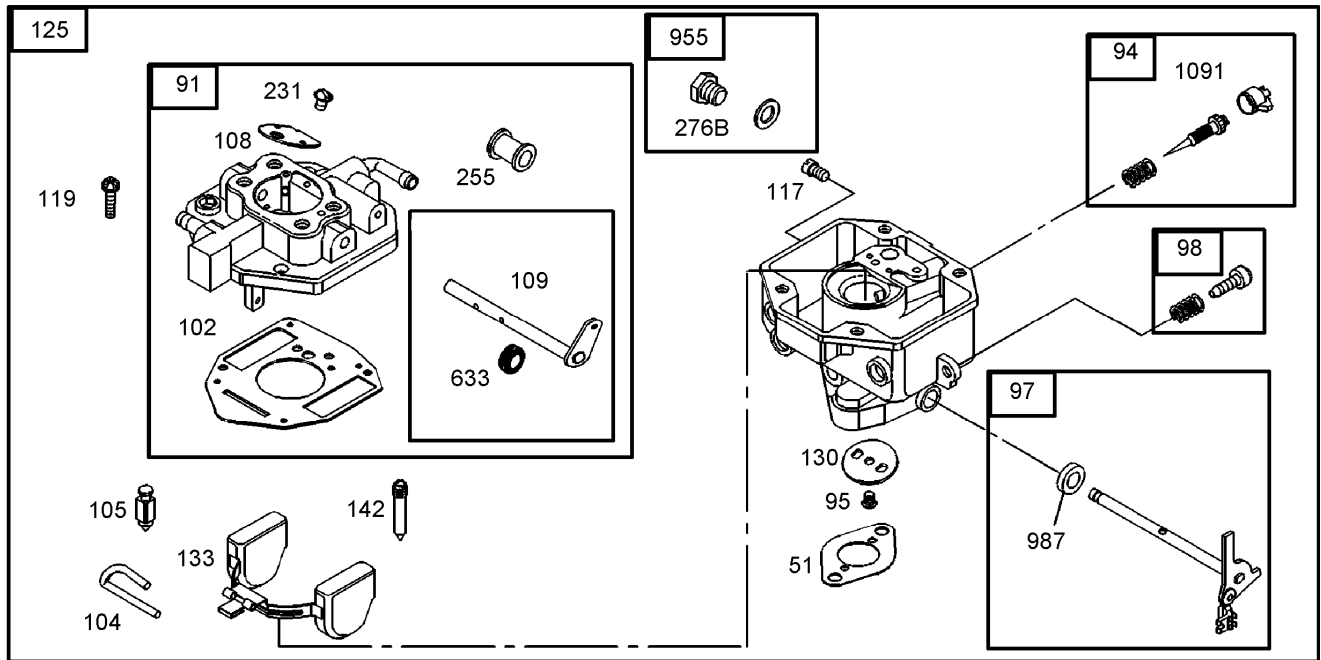


Assemblies include all parts shown in frames.

Cylinder Head Assembly No. 1 Briggs and Stratton 350447-1332-E1

Ref	Part No.	Qty.	Description
5	809185	1	Cylinder Head No. 1 (Used After Date Code 01120200)
5A	809186	1	Cylinder Head No. 2 (Used After Date Code 01120200)
57	690888	1	Gasket-Head, Cylinder
13	692059	1	Screw
33	807681	1	Valve-Exhaust
34	807680	1	Valve-Intake
35	692084	1	Spring-Valve
36	692084	1	Spring-Valve
40	692058	1	Retainer-Valve
42	807683	1	Keeper-Valve
45	690977	1	Valve-Tappet
192	807623	1	Adjuster-Arm, Rocker
276A	807085	1	Washer-Sealing
337	496018	1	Plug-Spark
383	19374	1	Wrench-Plug, Spark
613	691902	1	Screw (Exhaust Muffler)
635	692076	1	Boot-Spark Plug
830	809157	1	Stud-Arm, Rocker
868	691963	1	Seal-Valve
871	692057	1	Bushing-Guide, Valve
883	691613	1	Gasket-Exhaust

Ref	Part No.	Qty.	Description
1022	806039	1	Gasket-Cover, Rocker
1026	691836	1	Rod-Push
6	691758	1	Rod-Push
1029	691543	1	Arm-Rocker
1100	690973	1	Pivot-Arm, Rocker
1254	807084	1	Screw

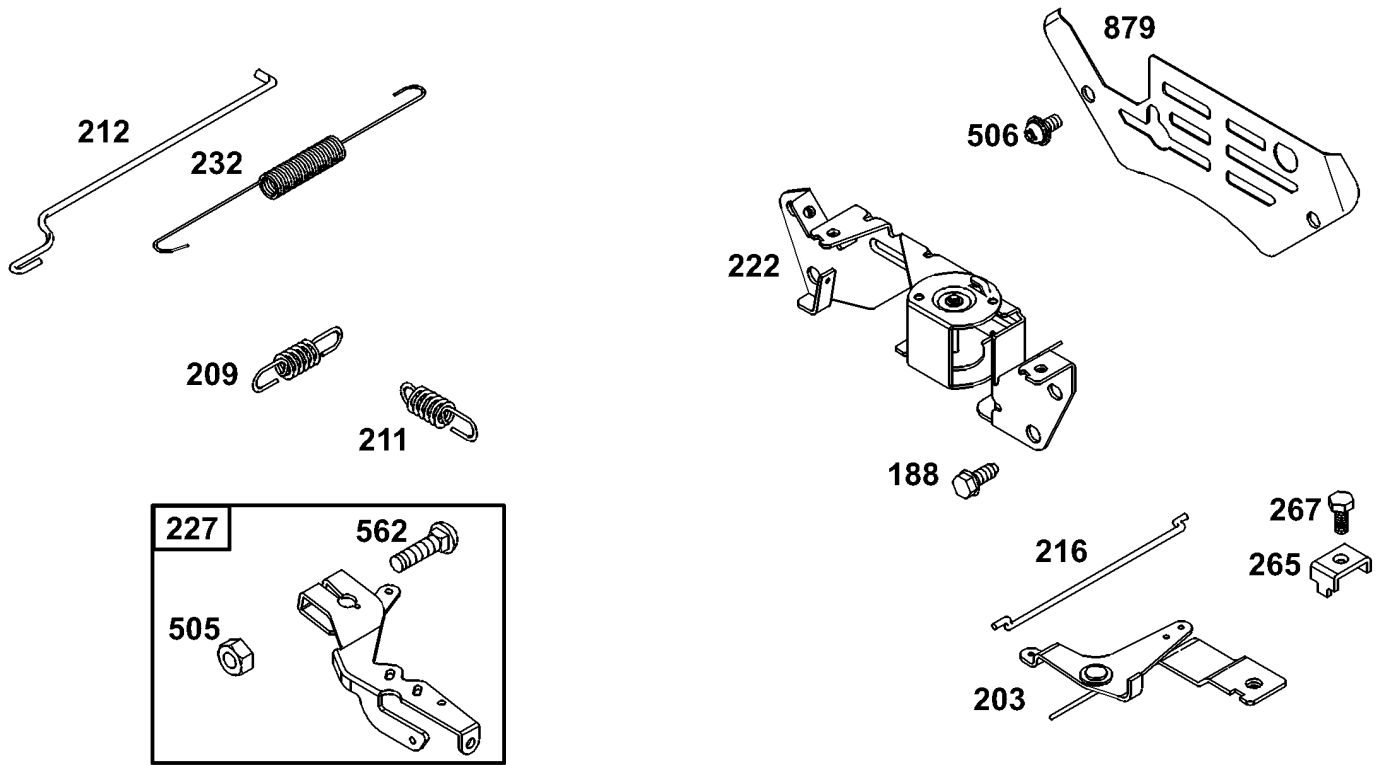


Assemblies include all parts shown in frames.

Carburetor Assembly Briggs and Stratton 350447-1332-E1

Ref	Part No.	Qty.	Description
⑤51	691694	1	Gasket-Intake
⑥91	809208	1	Upper Carburetor Body ASM
④94	808257	1	Idle Mixture Kit
④95	690718	1	Screw (Throttle Valve)
⑥97	808973	1	Throttle Shaft Kit
⑥98	808981	1	Idle Speed Kit
④⑥102	692077	1	Gasket-Body, Carburetor
④⑥104	690723	1	Pin-Hinge, Float
④⑥105	692078	1	Valve-Needle, Float
⑥108	690719	1	Valve-Choke
⑥109	809096	1	Shaft-Choke
④⑥117	808406	1	Jet-Main (Standard)
⑥119	690720	1	Screw (Upper To Lower Body)
⑥125	809209	1	Carburetor
⑥130	690726	1	Valve-Throttle
⑥133	806961	1	Float-Carburetor
④⑥142	690725	1	Nozzle-Carburetor
④⑥231	690718	1	Screw (Throttle Valve)
④⑥255	690721	1	Bushing-Choke Shaft
④⑥276B	690724	1	Seal-O Ring (Carburetor Plug)
⑥276C	806137	1	Washer-Sealing
④⑥633	690722	1	Seal-Shaft, Choke / Throttle
⑥947	692094	1	Solenoid-Fuel
⑥955	807723	1	Plug-Carburetor

Ref	Part No.	Qty.	Description
④⑥987	806131	1	Seal-Shaft, Choke / Throttle
④⑥1091	691516	1	Cap-Limiter

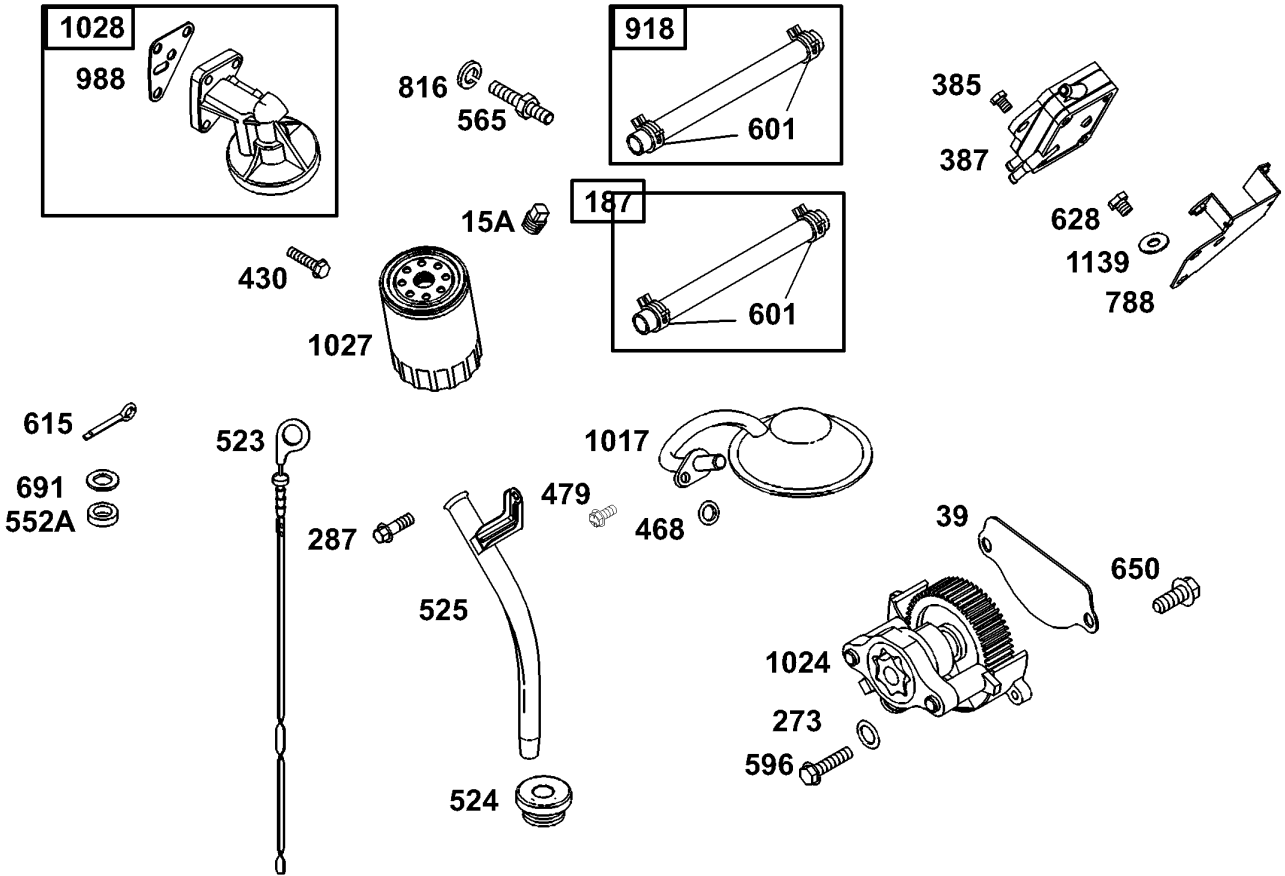


Assemblies include all parts shown in frames.

Governor Assembly Briggs and Stratton 350447-1332-E1

Ref	Part No.	Qty.	Description
188	692056	1	Screw (Blower Housing)
203	690923	1	Crank-Bell
209	806872	1	Spring-Governor
211	806868	1	Spring-Idle, Governe
212	690712	1	Link-Throttle
216	690705	1	Link-Choke
222	808454	1	Bracket-Control
227	690236	1	Leve-Control, Governor
232	692073	1	Spring-Link, Governor
265	691024	1	Clamp-Casing
267	692083	1	Screw (Casing Clamp)
505	690238	1	Nut (Governor Control Lever)
506	690677	1	Screw
562	690239	1	Bolt (Governor Control Lever)
879	690757	1	Cover-Carburetor

--	--	--	--

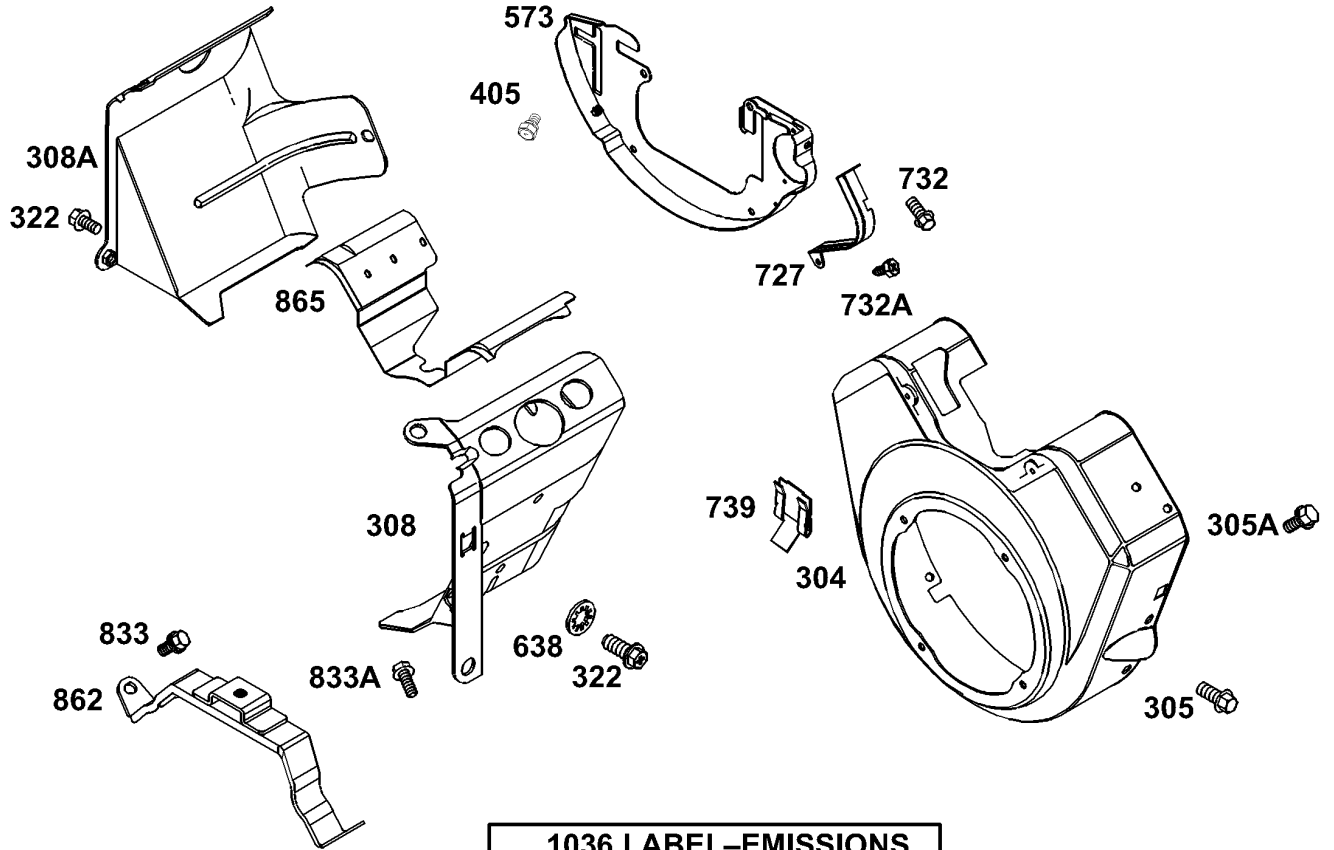


Assemblies include all parts shown in frames.

Fuel Pump, Oil Pump and Dipstick Assembly Briggs and Stratton 350447-1332-E1

Ref	Part No.	Qty.	Description
Ⓜ15A	690283	1	Plug
Ⓜ39	690745	1	Deflector-Oil
Ⓜ187	691050	1	Line-Fuel (Cut To Required Length)
ⓂⓂ273	690681	1	Seal-O Ring (Oil Pump)
Ⓜ287	692062	1	Screw (Dipstick Tube)
Ⓜ385	693169	1	Screw (Fuel Pump)
Ⓜ387	808969	1	Pump-Fuel
Ⓜ430	690679	1	Screw (Oil Filter Adapter)
ⓂⓂ468	690690	1	Seal-O Ring (Oil Pump Screen)
Ⓜ479	807084	1	Screw (Rocker Arm Stud)
Ⓜ523	693175	1	Dipstick
Ⓜ524	693172	1	Seal-Tube, Dipstick
Ⓜ525	693174	1	Tube-Dipstick
Ⓜ552A	690701	1	Bushing-Crank, Governor
Ⓜ565	690682	1	Stud (Oil Filter Adapter)
Ⓜ596	691492	1	Screw (Oil Pump)
Ⓜ601	691038	1	Clamp-Hose
Ⓜ615	691550	1	Retainer-Shaft, Governor
Ⓜ628	692062	1	Screw (Dipstick Tube)
Ⓜ650	692539	1	Screw (Cylinder Head Cover)
Ⓜ691	690680	1	Seal-Shaft, Governor
Ⓜ788	691559	1	Bracket-Pump, Fuel
Ⓜ816	690706	1	Washer (Oil Filter Adapter)

Ref	Part No.	Qty.	Description
Ⓜ918	393815	1	Line-Vacuum (Cut To Required Length)
ⓂⓂ988	692063	1	Gasket-Adapter, Oil Filter
Ⓜ1017	690900	1	Screen-Pump, Oil
Ⓜ1024	693185	1	Pump-Oil
Ⓜ1027	492932	1	Filter-Oil
Ⓜ1028	808235	1	Adapter-Filter, Oil
Ⓜ1139	806497	1	Washer (Fuel Pump Bracket)



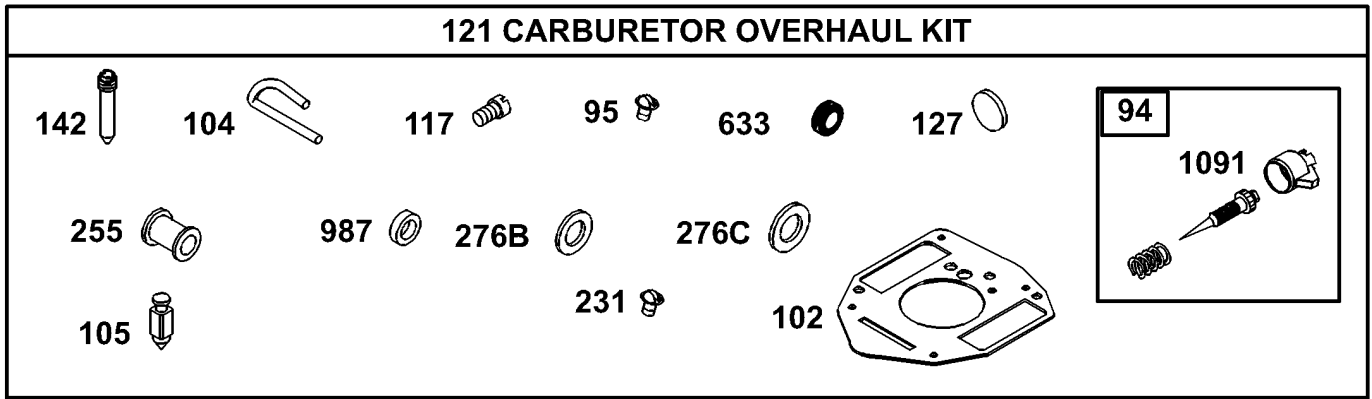
1036 LABEL-EMISSIONS

Assemblies include all parts shown in frames.

Blower Housing Assembly Briggs and Stratton 350447-1332-E1

Ref	Part No.	Qty.	Description
304	690929	1	Housing-Blower
305	692539	1	Screw
305A	692056	1	Screw
308	806547	1	Cover-Head, Cylinder (Cyl. #1)
308A	806546	1	Cover-Head, Cylinder (Cyl. #2)
322	692539	1	Screw
405	807163	1	Screw (Backplate)
573	690902	1	Plate-Back
638	691551	1	Washer (Cylinder Head Cover)
727	690714	1	Shield-Starter
732	692539	1	Screw
732A	690688	1	Screw (Flywheel Guard)
739	690451	1	Clip-Debris
833	692539	1	Screw
833A	690872	1	Screw
862	692153	1	Mount-Cleaner
865	690750	1	Cover-Guide, Air
1036	806885	1	Label-Emissions

--	--	--	--



Assemblies include all parts shown in frames.

Carburetor Overhaul Kit Assembly Briggs and Stratton 350447-1332-E1

Ref	Part No.	Qty.	Description
4694	808257	1	Idle Mixture Kit
4695	690718	1	Screw
46102	692077	1	Gasket-Body, Carburetor
46104	690723	1	Pin-Hinge, Float
46105	692078	1	Valve-Needle, Float
46117	806126	1	Jet-Main
6121	808395	1	Carburetor Kit
46127	690727	1	Plug-Welch
46142	806128	1	Carburetor Nozzle
46231	690718	1	Screw
46255	690721	1	Bushing-Choke Shaft
46276B	690724	1	Seal-O Ring
46276C	806137	1	Washer-Sealing
46633	690722	1	Seal-Shaft, Choke / Throttle
46987	806131	1	Seal-Shaft, Choke / Throttle
461091	691516	1	Cap-Limiter

Attachments and Accessories

For 04357 - Greensmaster 3150

Product Name	Model/Part
8-Blade 4-Bolt Heavy Duty	04404
11-Blade 4-Bolt Reel Mower	04406
Three-Wheel Drive Kit	04433
11-Blade Single Point Adjustment Reel Mower	04450
8-Blade Single Point Adjust Reel Mower	04468
Dethatching Reel ASM	04493
Spiker Kit	04494
Tri-Roller Kit	04495
Backlap / Reel Speed Kit	04498
Roll-Over Protection System Kit	105-8258
Light Kit	105-8336
Oil Cooler Kit	105-8339
Hose Rerouting Kit	107-2559
Tire-Traction	231-124
Basket Reinforcement Kit	26-0900

