



Insight™ Gold Lawn Mower

Model No. 10696 - 250000001 and up.

Parts Catalog

Ordering Replacement Parts

To order replacement parts, please supply the part number, the quantity, and the description of each part desired.

Understanding Reference Numbers

Each identified part in an illustration has a reference number. The reference number for a part also appears in the parts list, along with other information about the part.

This catalog uses two special reference number formats, one to indicate parts in a service assembly and another to indicate the quantity of a given part in an illustration.

Service Assembly Reference Numbers

Parts in service assemblies have reference numbers in the form a:b. The a represents the reference number of the entire service assembly and the b represents a sequential number unique to each part within the service assembly.

For example, a wheel assembly might be identified by reference number 6, the tire by 6:1, the valve by 6:2, and the wheel by 6:3. When you order the assembly identified by reference number 6, you receive all parts identified by reference numbers 6:1, 6:2, and 6:3. However, you may also order any part individually. Reference numbers of this type appear in illustrations and in part lists.

Reference Numbers Indicating Quantity

In an illustration, if a reference number indicates more than one part, the reference number has the form nX y. The n represents the quantity of the part, the X is the multiplication symbol, and the y represents the reference number.

For example, in an illustration, the reference number 2X 37 means that two of the parts identified by reference number 37 are indicated.

Contents

Description	Page	Description	Page
Front End and Tunnel Assembly	3	Camshaft Pulley Assembly Honda GCV160A RTL1	17
Housing Assembly No. 108-9346	4	Recoil Starter Assembly Honda GCV160A RTL1	18
Side Discharge Assembly	5	Fan Cover Assembly Honda GCV160A RTL1	19
Rear Axle and Transmission Assembly	6	Carburetor Assembly Honda GCV160A RTL1	20
Transmission Assembly No. 107-3860	7	Air Cleaner Assembly Honda GCV160A RTL1	21
Upper Handle Assembly	8	Muffler Assembly Honda GCV160A RTL1	22
Lower Handle Assembly	9	Flywheel Assembly Honda GCV160A RTL1	23
Blade and Engine Assembly	10	Starter Motor Assembly Honda GCV160A RTL1	24
Electrical Start Assembly	11	Control Assembly Honda GCV160A RTL1	25
Rear Bag Assembly	12	Choke Base Assembly Honda GCV160A RTL1	26
Cylinder Barrel Assembly Honda GCV160A RTL1	13	Top Cover Assembly Honda GCV160A RTL1	27
Oil Pan Assembly Honda GCV160A RTL1	14	Label Assembly Honda GCV160A RTL1	28
Crankshaft Assembly Honda GCV160A RTL1	15	Attachments and Accessories List	29
Piston and Connecting Rod Assembly Honda GCV160A RTL1	16		

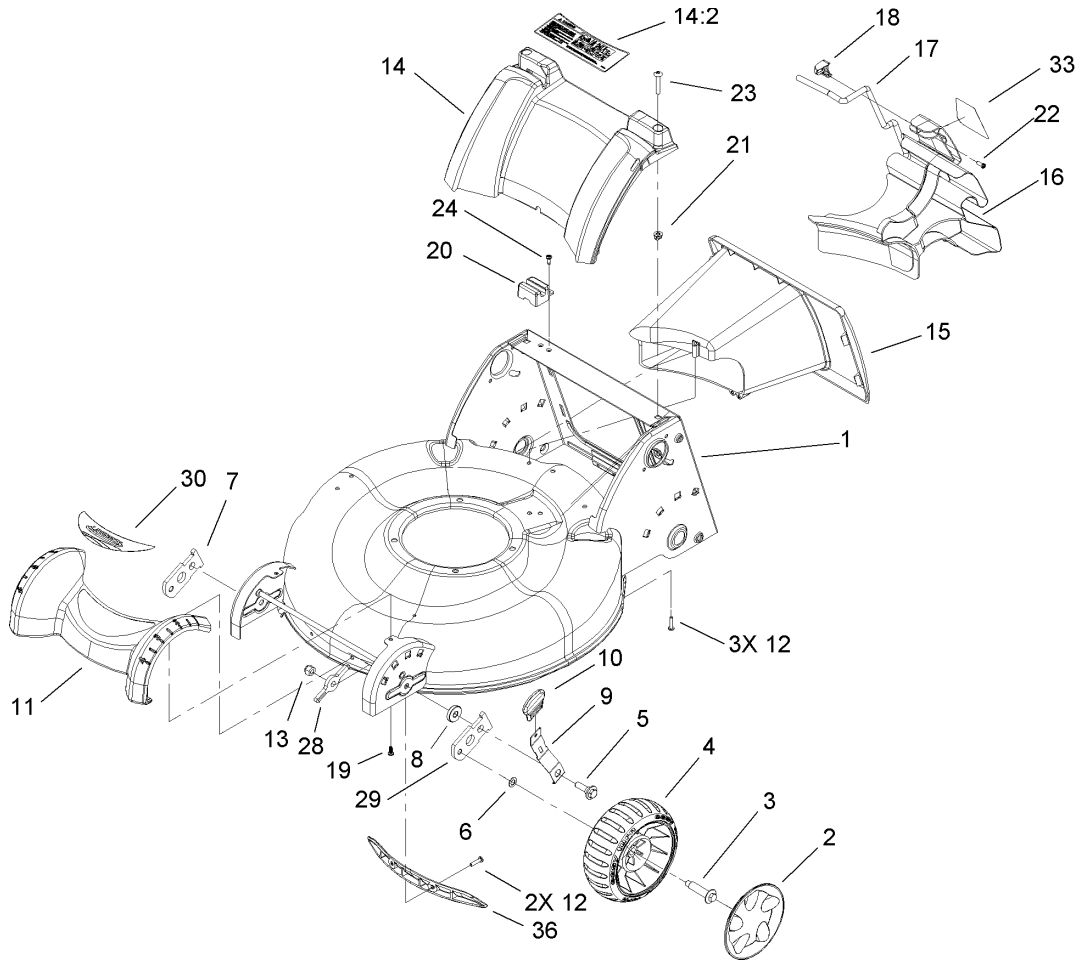
Part Description Abbreviations

Part descriptions in this catalog may include the following abbreviations.

AR. as required	HWHTF. hex washer head thread forming
ASM. assembly	HYD. hydraulic
BBC. blade brake clutch	INC. incorporated
CARR. carriage	LH. left hand
DEG. degrees	NI. nylon insert
EXT. external	NPTF. national pipe thread fine
FH. flat head	PPH. phillips pan head
GA. gauge	PPHTF. phillips pan head thread forming
HF. hex flange	PRH. phillips round head
HH. hex head	PTH. phillips truss head
HHF. hex head flange	PTO. power take off
HHFTF. hex head flange thread forming	RH. right hand
HJ. hex jam	ROPS. roll over protection system
HLH. hex lag head	SFH. slotted fillister head
HOC. height-of-cut	SHH. slotted hex head
HSBH. hex socket button head	SHWH. slotted hex washer head
HSFH. hex socket flat head	SPH. slotted pan head
HSH. hex socket head	SQH. square head
HWH. hex washer head	

Footnotes

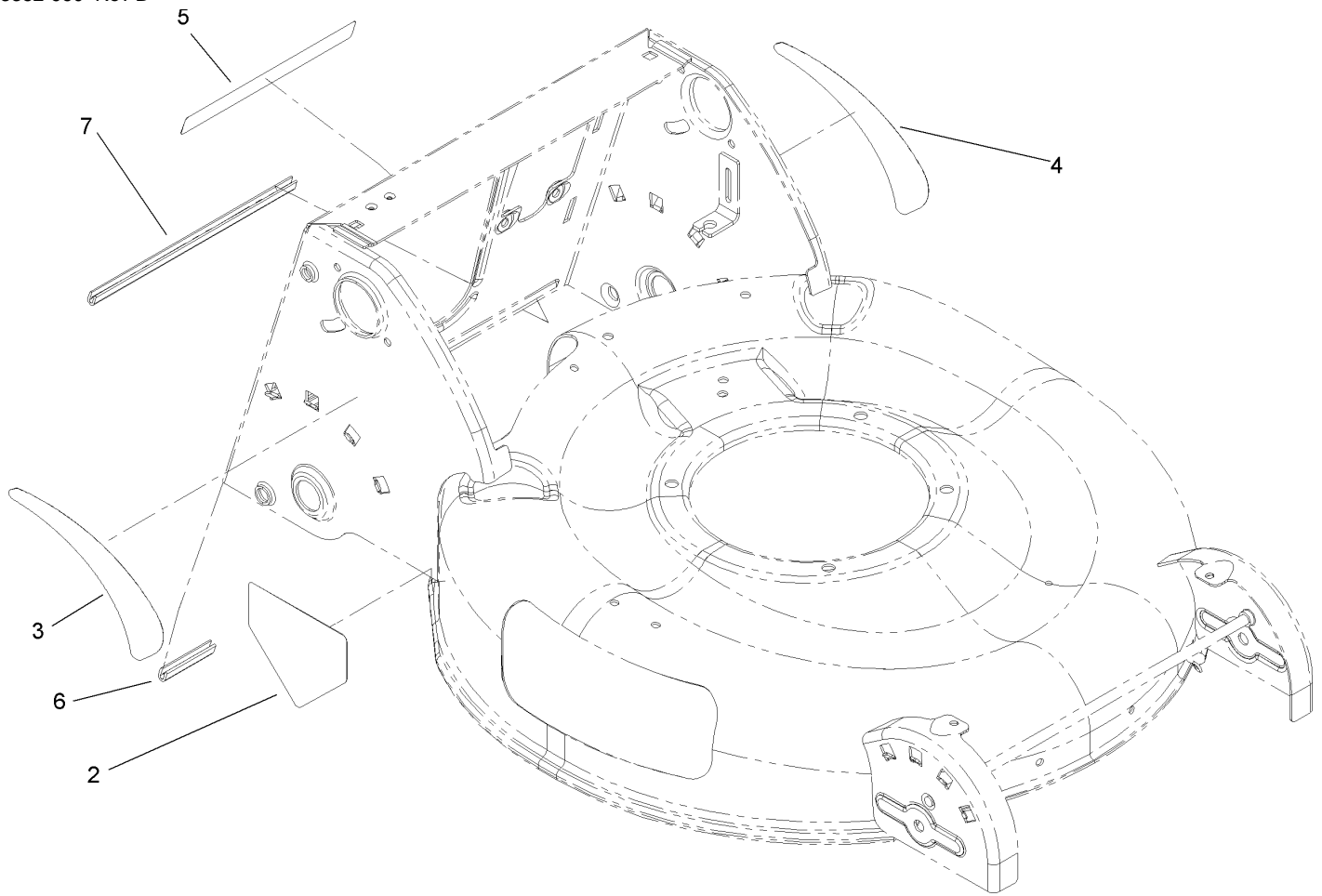
- | | |
|--|---------------------------------------|
| ❶ Not illustrated | ❷ Not serviced separately |
| ❸ Obtain parts from your local Honda dealer. | ❹ Obtain from your local Honda dealer |



Front End and Tunnel Assembly

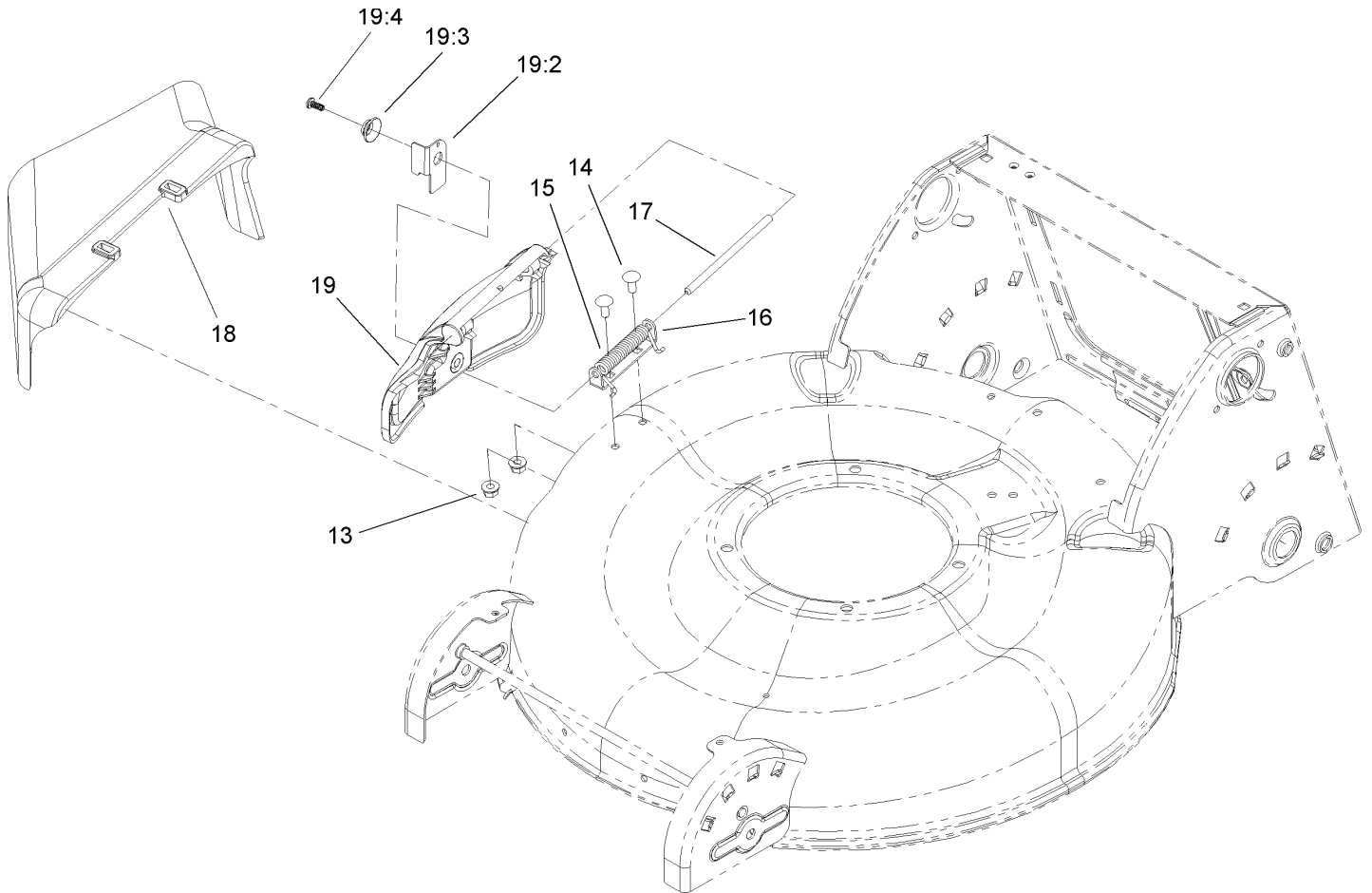
Ref	Part No.	Qty.	Description
1	108-9346	1	Housing ASM
2	107-3886	2	Cover-Wheel, 7In
3	614650	2	Bolt-Shoulder
4	107-3891	2	7In Wheel ASM
5	614672	2	Bolt-Shoulder
6	40-1940	2	Washer
7	107-3877	1	Arm-Pivot, RH
8	92-4890	2	Washer
9	107-3878	2	Arm-Spring
10	107-1904	2	Knob-Lever, HOC
11	107-3926	1	Cover-Front
12	108-7476	5	Screw-Plastite
13	3296-39	2	Nut-Lock, NI
14	108-9349	1	Cover-Rear
14:2	107-3888	1	Decal-Safety
15	107-3881	1	Tunnel
16	107-3907	1	Plug-Chute
17	108-1038	1	Latch-Plug
18	108-0956	1	Retainer-Latch
19	108-7475	2	Screw-Plastite
20	108-0990	1	Module-Switch
21	94-1610	2	Nut-Clip
22	32144-111	1	Screw-PPH
23	108-0965	2	Screw-PTH

Ref	Part No.	Qty.	Description
24	105-6849	2	Screw-Thread Forming
28	108-1048	2	Washer-Support, Front
29	108-1044	1	Arm-Pivot, LH
30	108-7453	1	Decal
33	108-7461	1	Decal
36	108-7502	1	Insert-Housing
39	110-1751	1	Mulch Plug ASM



Housing Assembly No. 108-9346

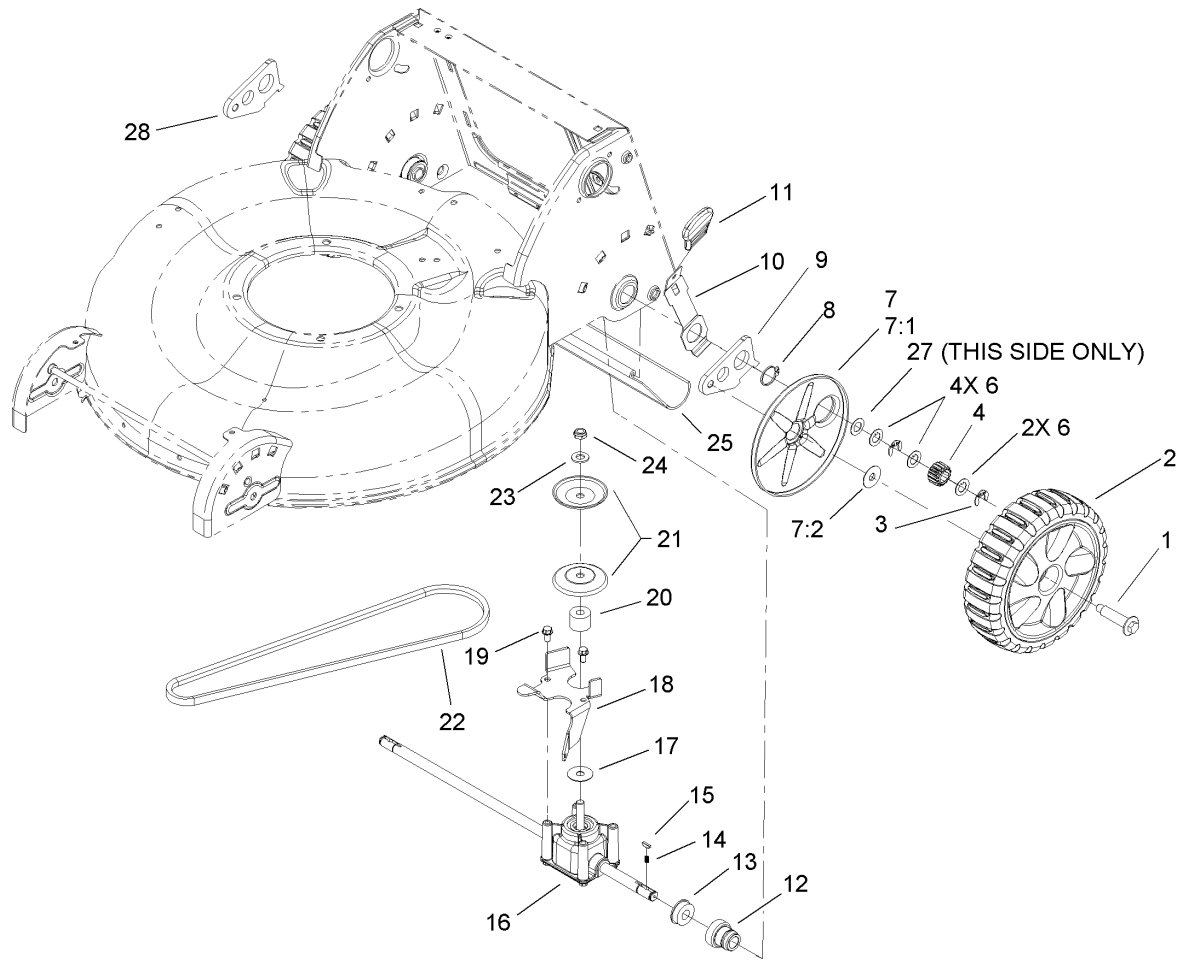
Ref	Part No.	Qty.	Description				
2	94-8072	1	Decal-Danger				
3	108-7450	1	Decal-HOC, RH				
4	108-7451	1	Decal-HOC, LH				
5	107-3889	1	Decal-Safety				
6	108-7504	1	Strip-Edge				
7	108-9380	1	Strip-Edge				



Side Discharge Assembly

Ref	Part No.	Qty.	Description
13	32128-32	2	Nut-HHF
14	3229-11	2	Screw-CARR
15	99-5293	1	Spring-Torsion
16	99-5292	1	Bracket-Cover
17	99-5291	1	Rod-Cover
18	105-3028	1	Chute-Discharge, Side
19	106-8376	1	Discharge Door ASM
19:2	107-0795	1	Latch-Door
19:3	107-7456	1	Cap-Door
19:4	107-7461	1	Screw-Plastite

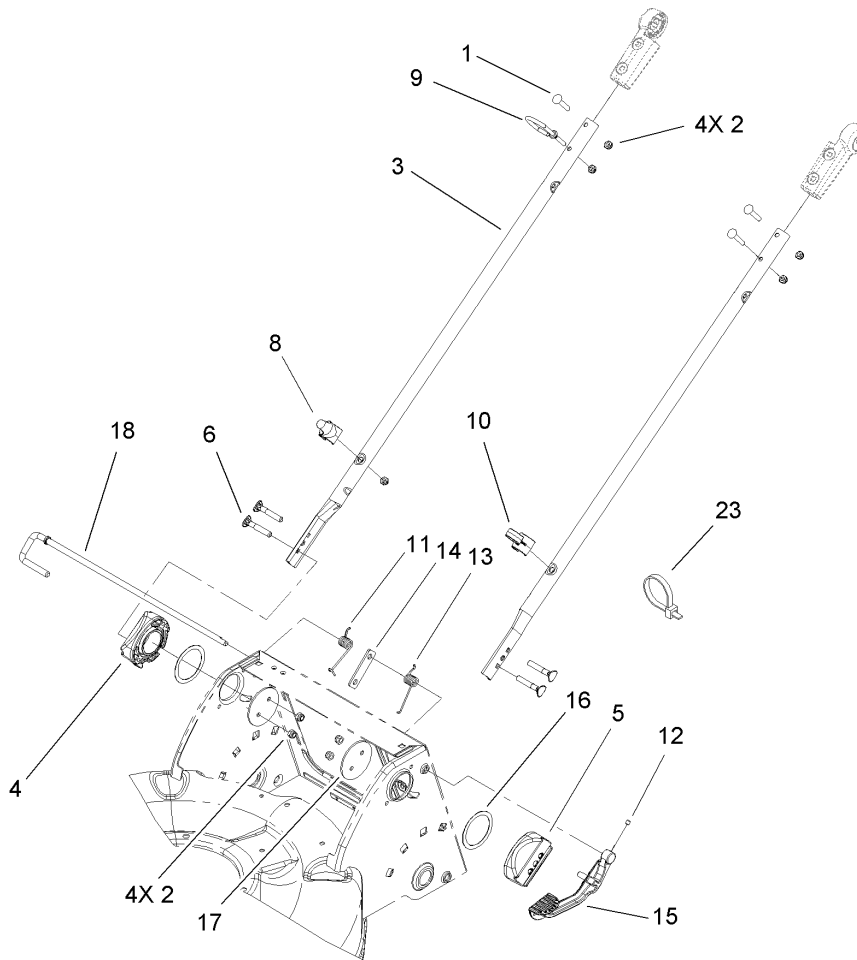
--	--	--	--



Rear Axle and Transmission Assembly

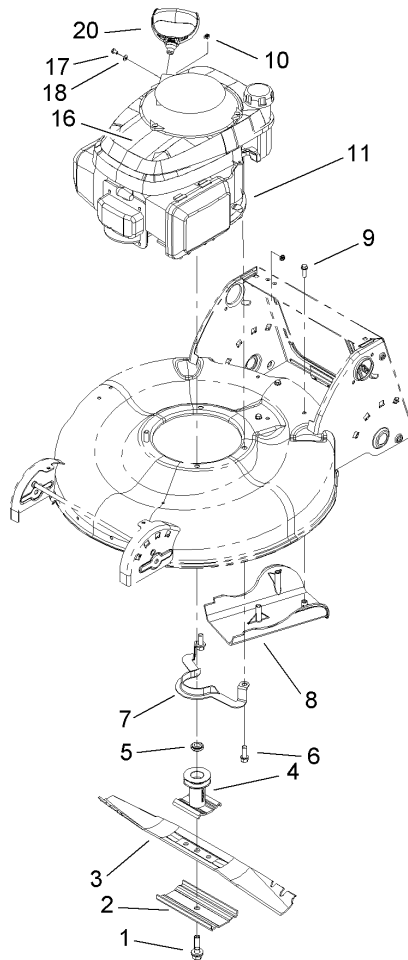
Ref	Part No.	Qty.	Description
1	614650	2	Bolt-Shoulder
2	107-3906	2	Rear Wheel ASM
3	65-2720	4	Klipring-Locking
4	105-3040	2	Gear-Pinion, 15T
6	105-6840	6	Washer-Thrust
27		2	Wheel Cover ASM
7:1	107-1919	1	Cover-Wheel
7:2	614426	1	Washer-Stepped
8	32151-36	2	Ring-Retaining
9	108-9344	1	Arm-Rear Pivot, LH
10	107-3880	2	Arm-Spring, Rear
11	107-1904	2	Knob-Lever, HOC
12	104-8698	2	Retainer-Bearing, HOC
13	104-8699	2	Bearing-Ball
14	39-9650	2	Spring-Compression
15	612066	2	Key
16	107-3860	1	Transmission ASM
17	105-6814	1	Washer-Shield
18	107-3884-03	1	Bracket-Transmission
19	32144-4	2	Screw-HWH
20	92-5791	1	Spacer
21	100-1176	2	Pulley-Half
22	91-2258	1	V-Belt
23	3256-24	1	Washer-Flat

Ref	Part No.	Qty.	Description
24	3296-5	1	Nut-Lock
25	107-3904	1	Shield-Trailing
27	36-4780	1	Washer
28	108-9343	1	Arm-Rear Pivot, RH



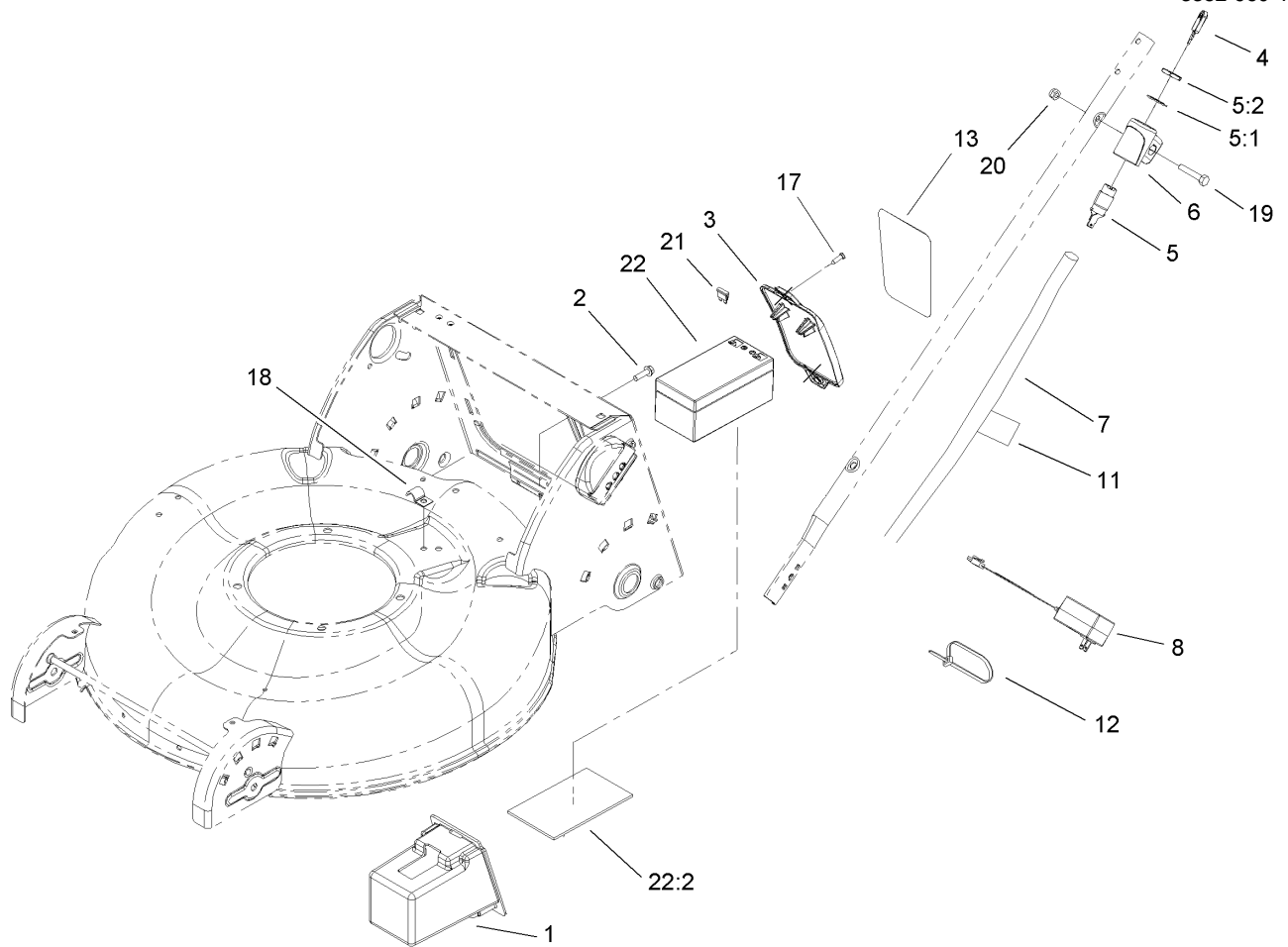
Lower Handle Assembly

Ref	Part No.	Qty.	Description
1	108-0988	3	Screw-CARR
2	3296-73	9	Nut-Lock, NI
3	107-3887-03	2	Tube-Lower
4	108-9339-03	1	Mount-Handle, RH
5	108-9340-03	1	Mount-Handle, LH
6	95-4453	4	Screw
8	108-0994	1	Guide-Rope, Lower
9	107-3908	1	Guide-Rope, Upper
10	106-6805	1	Guide-Cable
11	108-0952	1	Spring-Torsion, LH
12	108-0989	1	Screw-Set
13	108-0953	1	Spring-Torsion, RH
14	107-3946	1	Plate-Lock, Handle
15	108-0985-03	1	Lever-Release
16	107-3947	2	Washer-Nylon
17	107-3944-03	2	Plate
18	107-3892	1	Rod-Release
23	614249	1	Strap-Tie



Blade and Engine Assembly

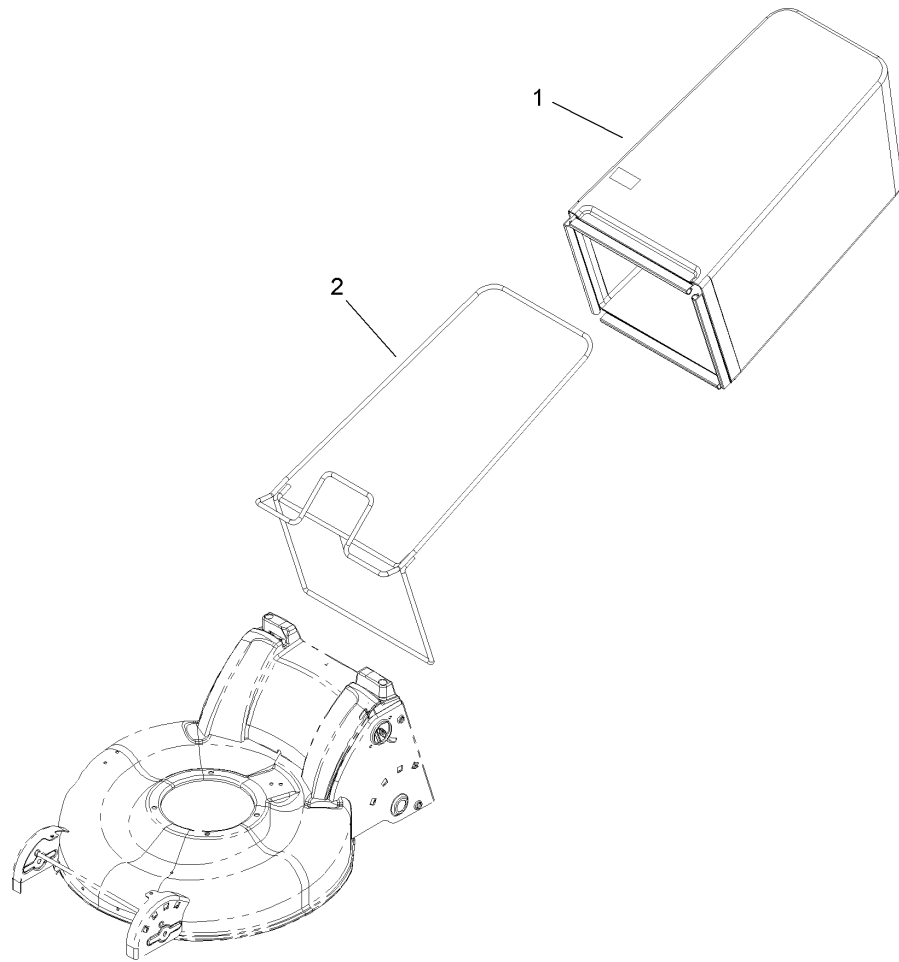
Ref	Part No.	Qty.	Description				
1	105-8579	1	Bolt-Blade				
2	108-3766-03	1	Support-Blade				
3	108-0954-03	1	Blade-21 In				
4	106-3987	1	Blade Driver ASM				
5	106-3999	1	Spacer-Driver				
6	92-1624	3	Screw				
7	105-3030-03	1	Guide-Belt				
8	107-3909	1	Cover-Belt				
9	46-8091	3	Screw-HWH				
10	92-1701	1	Stop-Rope				
11		1	Engine-Honda, Gcv160A Rtl1				
16	108-7529	1	Decal				
17	47-2830	1	Screw-Metric				
18	3256-51	1	Washer-Flat				
20	106-8345	1	Handle-Recoil				



Electrical Start Assembly

Ref	Part No.	Qty.	Description
1	107-3932	1	Box-Battery
2	46-8091	4	Screw-HWH
3	108-0981	1	Cover-Battery
4	700918	1	Key
5	46-5780	1	Switch-Starter
5:1	3254-5	1	Washer-Tooth
5:2	218-461	1	Nut-HH
6	104-8692	1	Mount-Switch
7	108-0982	1	Harness-Wire
8	104-7401	1	Charger-12 Volt
11	104-7953	1	Decal-Harness
12	614249	2	Strap-Tie
13	108-0992	1	Decal-Instruction, Battery
17	32144-111	1	Screw-PPH
18	2412-90	1	Clip-Half
19	321-51	1	Screw-HH
20	3296-73	1	Nut-Lock, NI
21	99-6124	2	Fuse-40 Amp
22	108-9358	1	Battery
22:2	108-0987	1	Foam-Battery

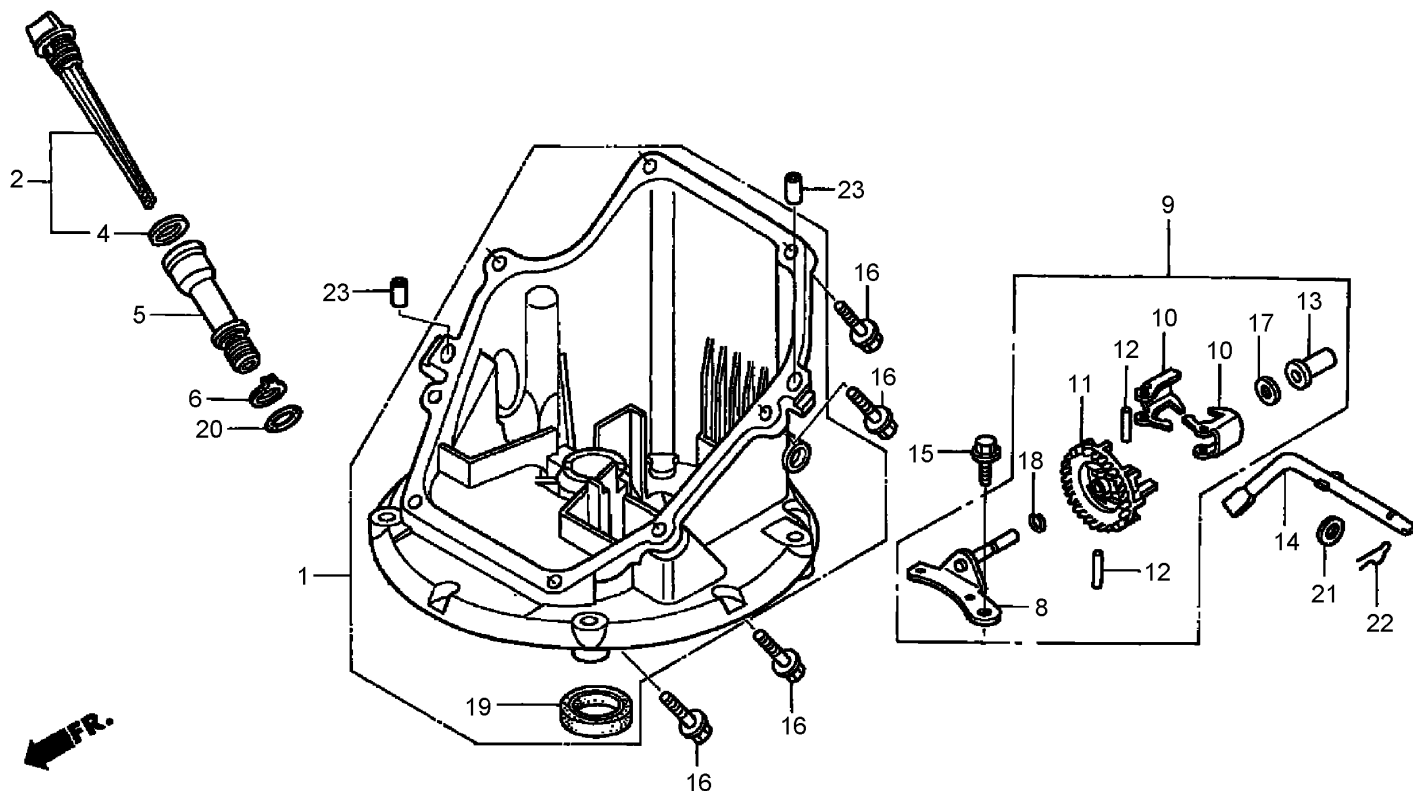
--	--	--	--



Rear Bag Assembly

Ref	Part No.	Qty.	Description
1	107-3911	1	Bag-Grass
2	107-3912-03	1	Bag Frame ASM

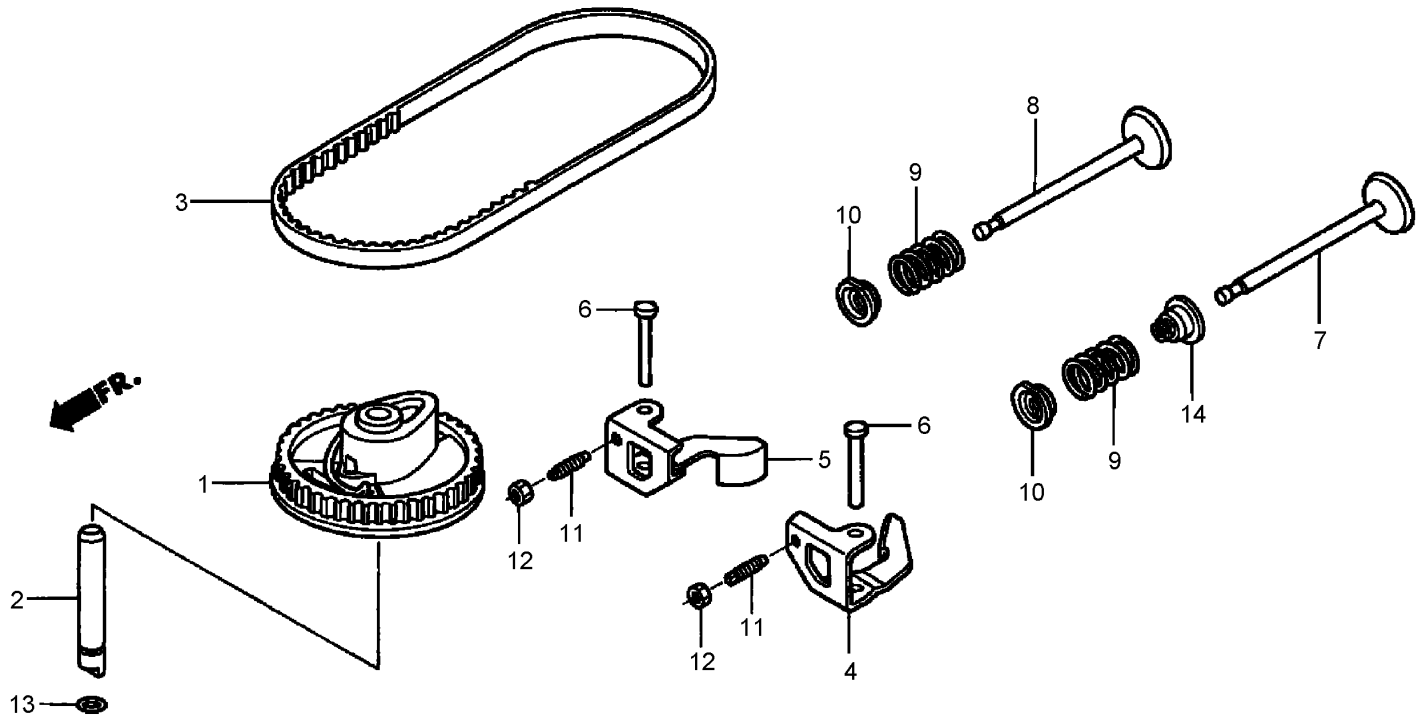
--	--	--	--



Oil Pan Assembly Honda GCV160A RTL1

Ref	Part No.	Qty.	Description
1	11300-ZM0-405	1	Oil Pan ASM (000)
2	15650-Z0L-820	1	Oil Level Gauge ASM
4	15625-ZE6-000	1	Gasket-Cap, Oil Filler
5	15631-Z0L-820	1	Extension-Filler, Oil
6	15639-ZM0-000	1	Washer-Lock, Extension
8	16508-ZM0-010	1	Shaft-Holder, Governor
9	16510-ZM0-010	1	Governor ASM
10	16511-ZL8-000	2	Weight-Governor
11	16512-ZM0-000	1	Holder-Weight, Governor
12	16513-ZE1-000	2	Pin-Weight, Governor
13	16531-ZE1-000	1	Slider-Governor
14	16541-ZM0-000	1	Shaft-Arm, Governor
15	90014-952-000	1	Bolt-Flange (6X14)

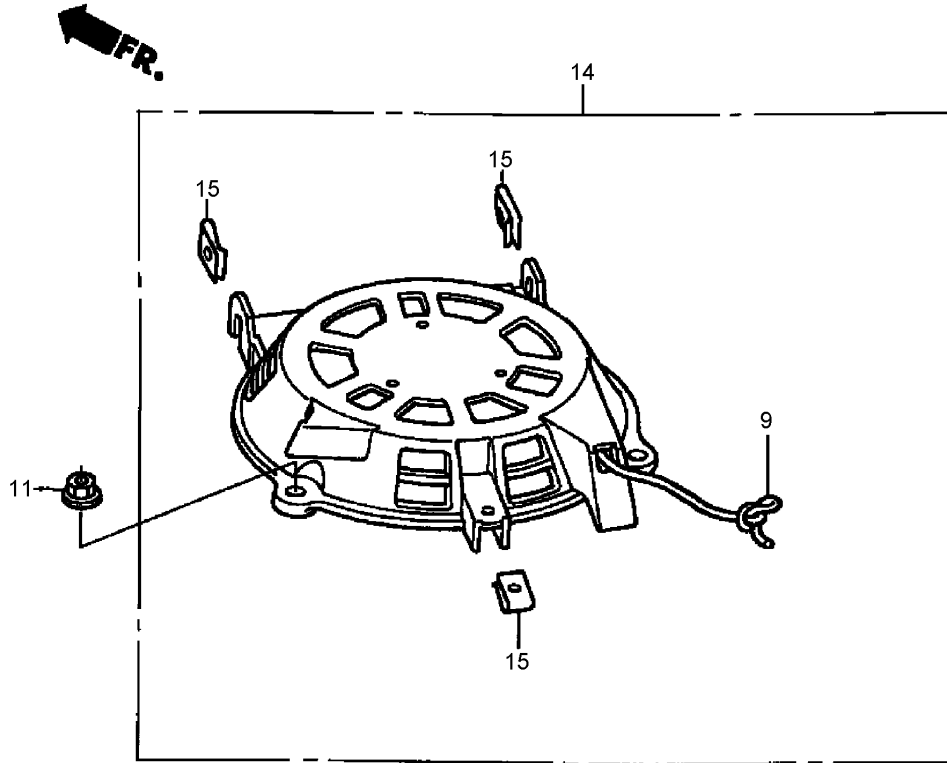
Ref	Part No.	Qty.	Description
16	90121-952-000	8	Bolt-Flange (6X25)
17	90451-ZE1-000	1	Washer-Thrust (6Mm)
18	90602-ZE1-000	1	Clip-Holder, Governor
19	91202-ZL8-003	1	Seal-Oil (28X41.25X6)
20	91303-KF0-003	1	O-Ring (14.8X2.4) (Arai)
20	91356-MA6-005	1	O-Ring
21	94101-06800	1	Washer-Plain (6Mm)
22	94251-08000	1	Pin-Lock (8Mm)
23	94301-08200	2	Pin-Dowel (8X20)



Camshaft Pulley Assembly Honda GCV160A RTL1

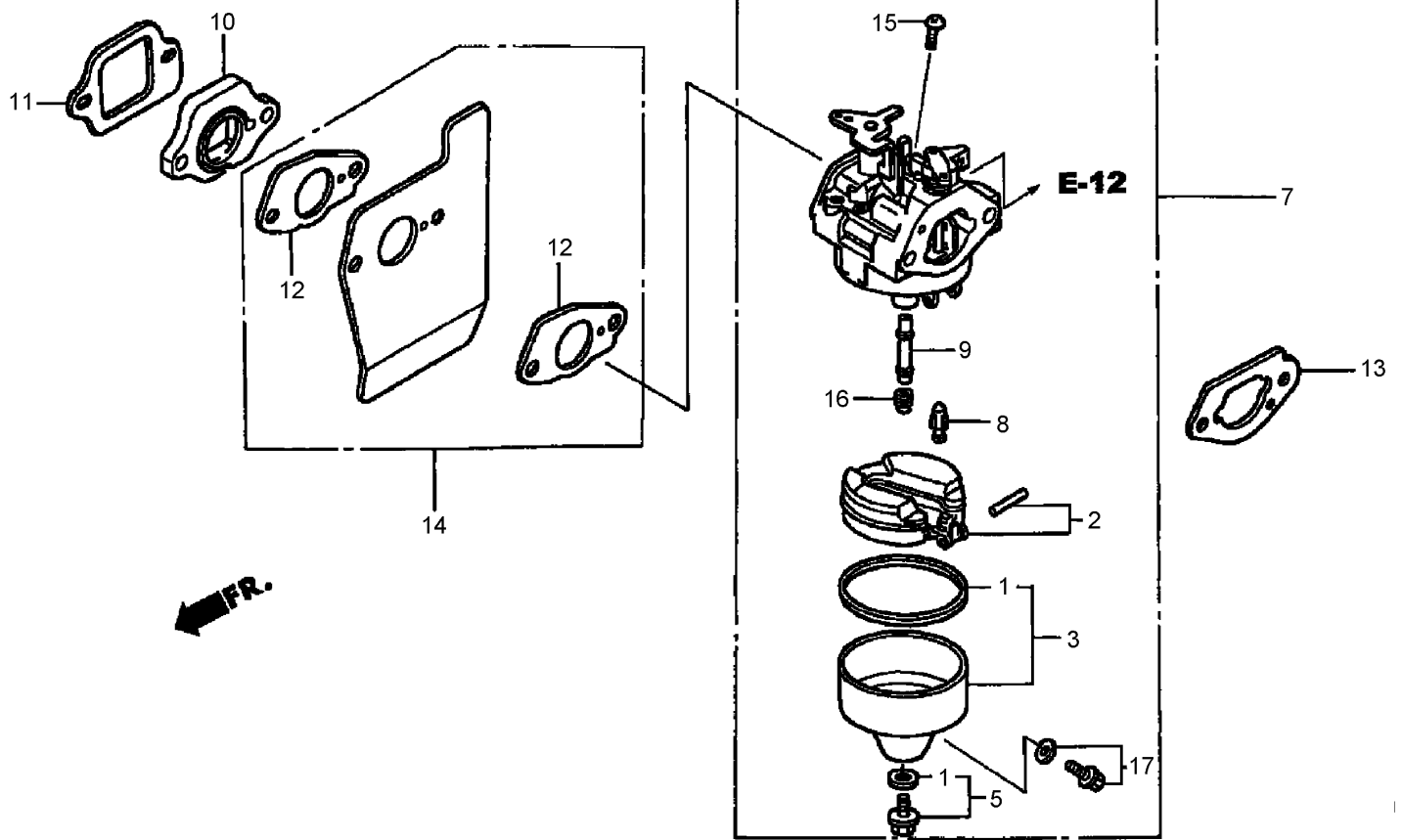
Ref	Part No.	Qty.	Description
❶1	14320-ZL8-010	1	Pulley-Camshaft
❷2	14324-ZL8-000	1	Shaft-Pulley
❸3	14400-Z0J-014	1	Belt-Timing (84Hu7 G-200)
❹4	14431-Z0J-000	1	Rocker Arm-Valve, Intake
❺5	14441-Z0J-000	1	Rocker Arm-Valve, Exhaust
❻6	14461-ZL8-000	2	Shaft-Arm, Rocker
❼7	14711-Z0J-000	1	Valve-Intake
❽8	14721-ZL8-000	1	Valve-Exhaust
❾9	14751-ZL8-000	2	Spring-Valve
❿10	14771-Z0J-000	2	Retainer-Spring, Valve
⓫11	90012-333-000	2	Screw-Tappet, Adj.
⓬12	90206-001-000	2	Nut-Tappet, Adj.
⓭13	91301-ZM0-V31	1	O-Ring (6.8X1.9)

Ref	Part No.	Qty.	Description
❿14	12209-ZM0-003	1	Seal-Stem, Valve



Recoil Starter Assembly Honda GCV160A RTL1

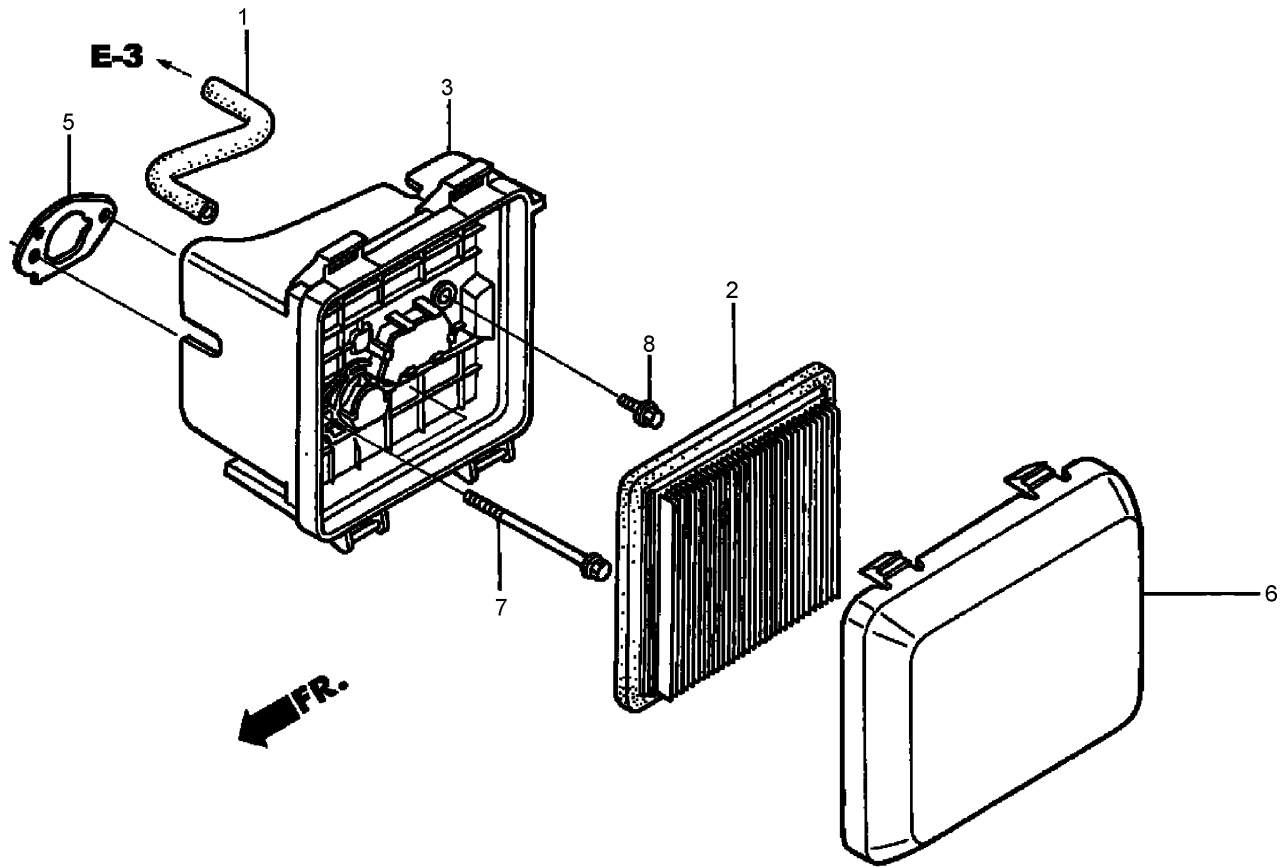
Ref	Part No.	Qty.	Description				
④9	28462-Z0L-V71	1	Rope-Starter, Recoil				
④11	90201-ZM0-000	3	Nut-Flange (6Mm)				
④14	28400-Z0L-V72	1	Recoil Starter ASM				
④15	66871-KY2-700	3	Nut-Cowl				



Carburetor Assembly Honda GCV160A RTL1

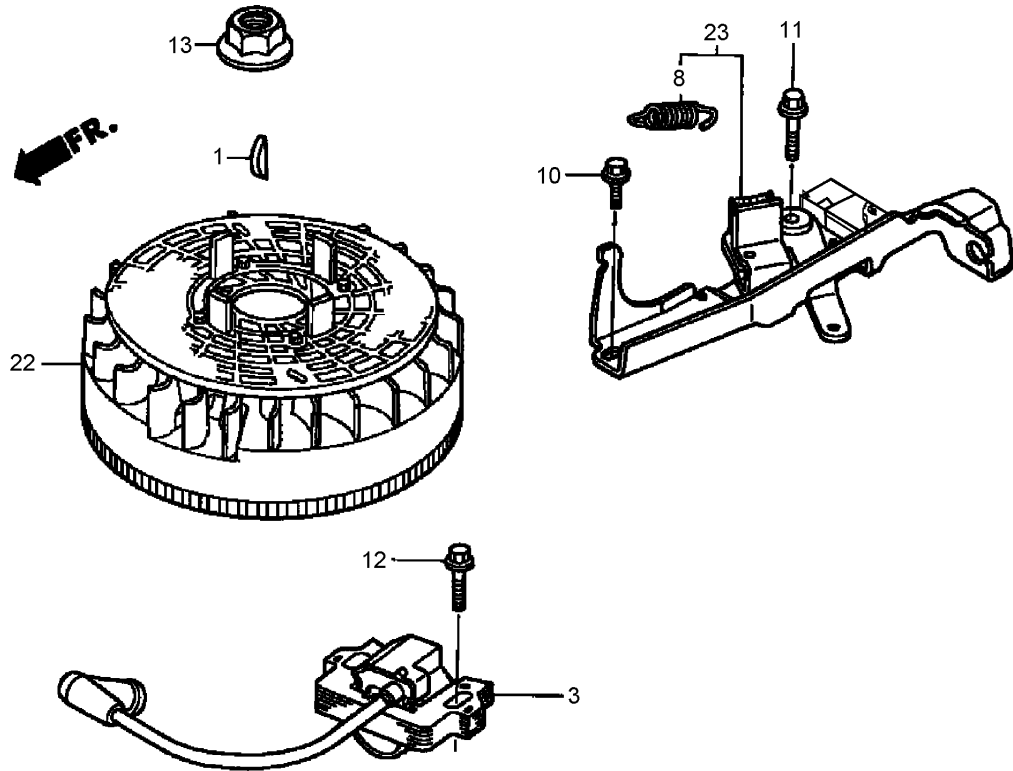
Ref	Part No.	Qty.	Description
④1	16010-883-015	1	Gasket Set
④2	16013-ZL1-003	1	Float Set
④3	16015-887-782	1	Chamber Set-Float
④5	16028-ZE0-005	1	Screw-Set
④7	16100-Z0L-802	1	Carburetor ASM (Bb62G B)
④8	16155-ZM0-013	1	Valve-Float (Carburetor No.)
④9	16166-ZM0-003	1	Nozzle-Main
④10	16211-ZL8-000	1	Insulator-Carburetor
④11	16212-ZL8-000	1	Gasket-Insulator
④12	16221-883-800	2	Gasket-Carburetor
④13	16228-ZL8-000	1	Gasket-Carburetor (Choke Side)
④14	19650-ZM0-000	1	Guide-Air
④15	93500-05006-0H	1	Screw-Pan (5X6)

Ref	Part No.	Qty.	Description
④16	99101-124-0600	1	Jet-Main (#60)
④16	99101-124-0620	1	Jet-Main (#62)
④16	99101-124-0650	1	Jet-Main (#65)
④17	16024-ZE1-811	1	Screw Set-Drain



Air Cleaner Assembly Honda GCV160A RTL1

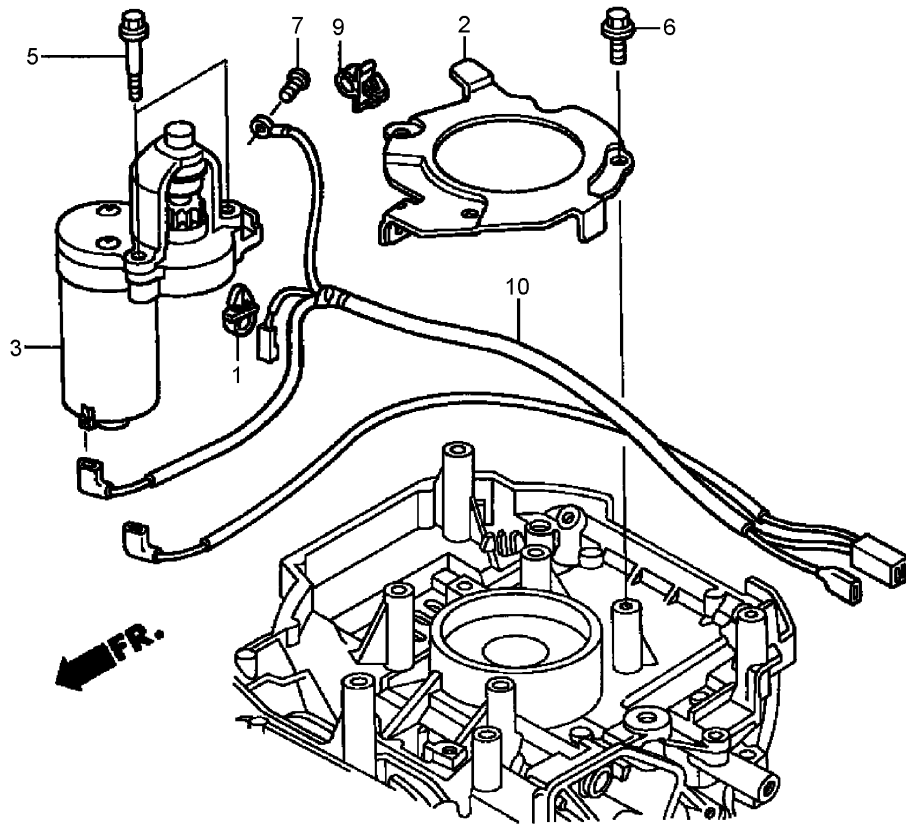
Ref	Part No.	Qty.	Description				
④1	15721-ZM0-000	1	Tube-Breather				
④2	17211-ZL8-013	1	Element-Cleaner, Air				
④3	17220-ZM0-000	1	Air Cleaner Case ASM				
④5	17228-ZM0-000	1	Gasket-Cleaner, Air				
④6	17231-Z0L-030	1	Cover-Cleaner, Air				
④7	90003-ZM0-000	2	Bolt-Flange (6X86) (Ct200)				
④8	95701-06014-08	1	Bolt-Flange (6X14)				



Flywheel Assembly Honda GCV160A RTL1

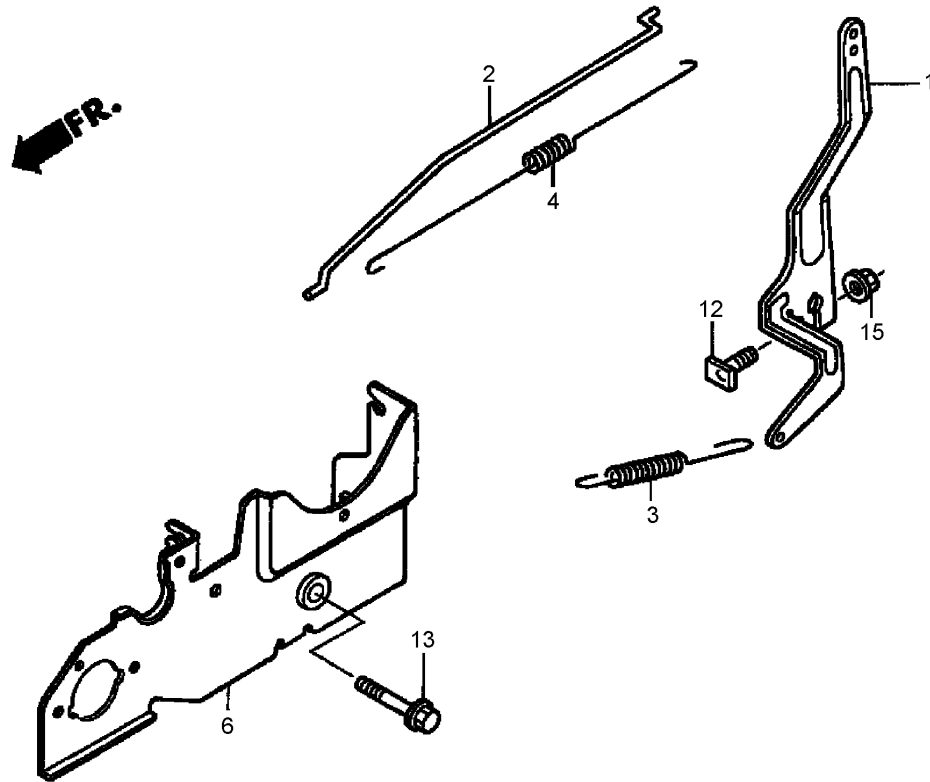
Ref	Part No.	Qty.	Description
④1	13331-357-000	1	Key-Woodruff (25X18)
④3	30500-Z0J-003	1	Ignition Coil ASM
④8	75113-ZM0-000	1	Spring-Lever, Brake
④10	90014-952-000	1	Bolt-Flange (6X14)
④11	90002-Z0L-820	1	Bolt-Flange (6X23) (Ct200)
④12	90022-888-010	1	Bolt-Flange (6X20)
④13	90201-878-003	1	Nut (14Mm)
④22	31105-Z0L-820	1	Flywheel ASM
④23	75110-Z0L-821	1	Brake Sub-ASM

--	--	--	--



Starter Motor Assembly Honda GCV160A RTL1

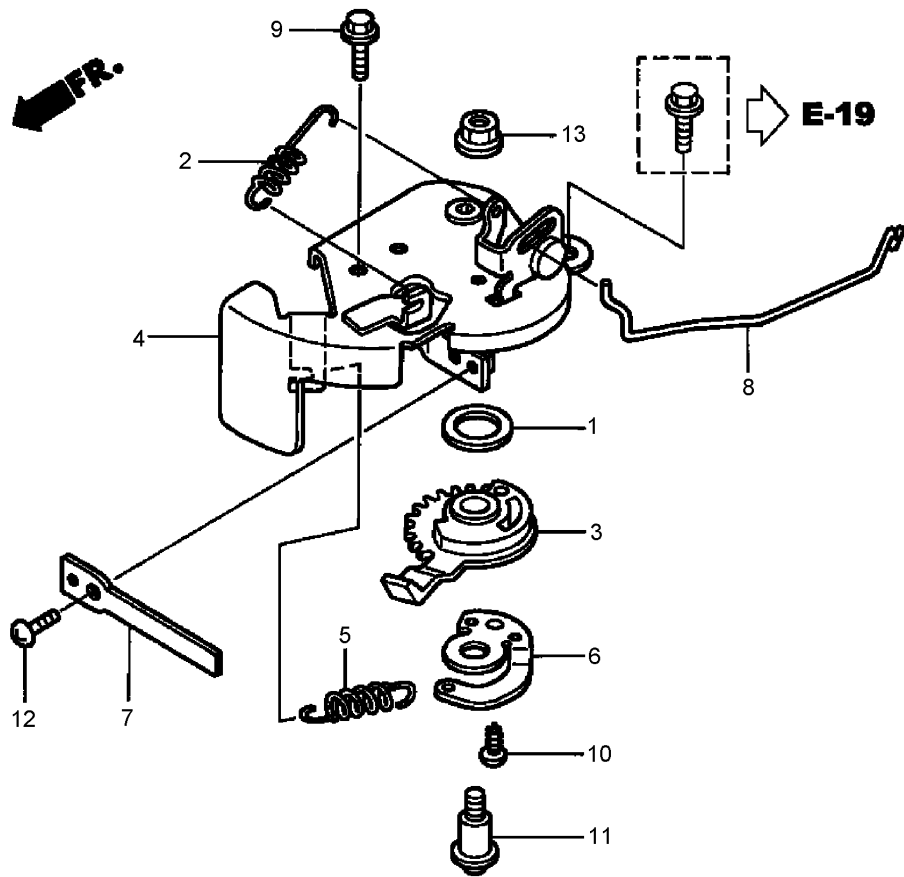
Ref	Part No.	Qty.	Description				
④1	22534-Z0L-820	1	Holder-Wire				
④2	30549-Z0L-820	1	Clamp-Wire				
④3	31200-Z0L-821	1	Starter Motor ASM				
④5	90001-Z0L-820	2	Bolt (6Mm)				
④6	90013-883-000	3	Bolt-Flange (6X12) (Ct200)				
④7	93500-05008-0A	1	Screw-Pan (5X8)				
④9	90681-959-003	1	Clip-Cable (A)				
④10	32222-Z0L-S10	1	Wire-Ground, Terminal				



Control Assembly Honda GCV160A RTL1

Ref	Part No.	Qty.	Description
④1	16551-ZM0-010	1	Arm-Governor
④2	16555-Z0L-800	1	Rod-Governor
④3	16561-Z0L-000	1	Spring-Governor
④4	16562-ZM0-000	1	Spring-Return, Throttle
④6	16580-Z0L-810	1	Base-Control
④12	90015-ZE5-010	1	Bolt-Arm, Governor
④13	90016-ZE8-000	1	Bolt-Flange (6X45)
④15	94050-06000	1	Nut-Flange (6Mm)

--	--	--	--



Choke Base Assembly Honda GCV160A RTL1

Ref	Part No.	Qty.	Description
1	16251-Z0L-800	1	Seal-Lever, Choke
2	16592-ZJ1-000	1	Spring-Return, Cable
3	16612-Z0L-800	1	Lever-Choke
4	16613-Z0L-800	1	Base-Choke
5	16614-Z0L-800	1	Spring-Lever, Choke
6	16616-Z0L-800	1	Hook-Spring, Choke
7	16619-Z0L-800	1	Plate-Choke
8	16632-Z0L-800	1	Rod-Stop
9	90029-888-000	1	Bolt-Flange (6X16)
10	90102-SP1-003	1	Screw-Tapping (4X8) (Po)
11	90141-KT8-000	1	Screw-Pan (5X19)
12	93500-04008-0H	1	Screw-Pan (4X8)
13	94050-05000	1	Nut-Flange (5Mm)

--	--	--	--

Attachments and Accessories

For 10696 - Insight Gold Lawn Mower

Product Name	Model/Part
Loose Parts Kit	108-9356
Replacement Bag	89815
Rear Bag Kit	89913
21 In Blade	89914
Cruise Control Kit	89919
Air Filter	89928
Spark Plug	89947

NOTES

NOTES

