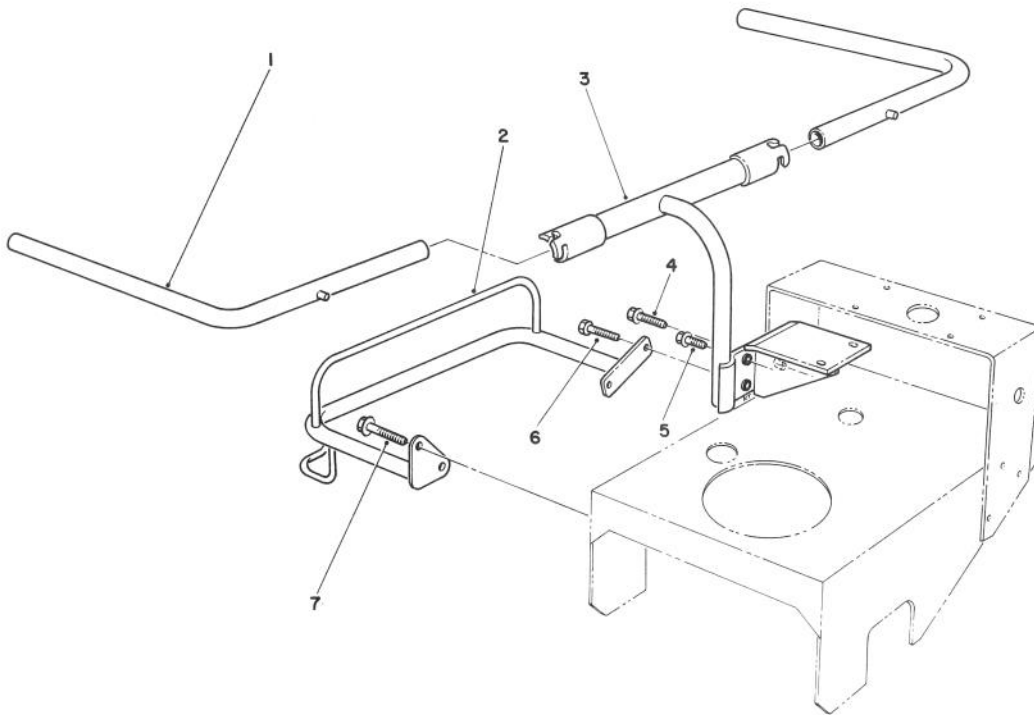


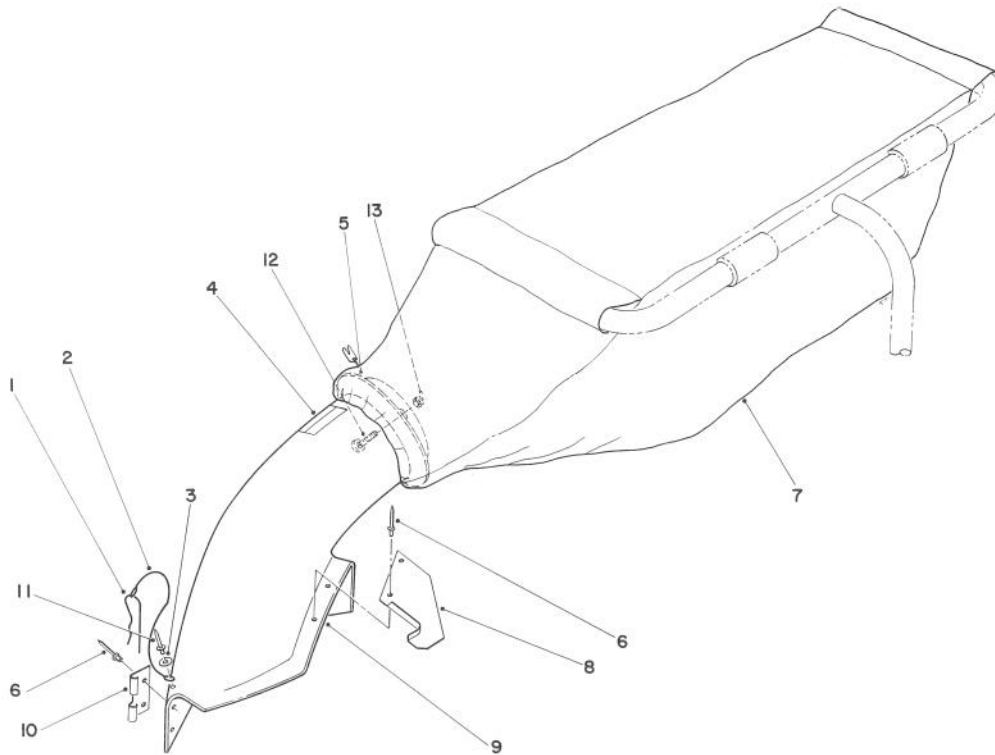
TORO[®]MODEL NO. 30124-800001 thru
9000001 & up**PARTS
CATALOG****BAGGING KIT
102 COMMERCIAL WALK MOWER**

T-0003-89

FRAME ASSEMBLY

Ref. No.	Part No.	Description	No. Used
1	67-6640	Frame - Bagger	2
2	67-6860	Guard - Wheel	1
3	67-6600	Support - Bagger	1
4	3234-8	Hex Hd. Flange Screw	1

Ref. No.	Part No.	Description	No. Used
5	3234-17	Hex Hd. Flange Screw	2
6	323-7	Hex Hd. Capscrew	2
7	3234-22	Hex Hd. Flange Screw	2



CHUTE & BAG ASSEMBLY

T-0004-89

Ref. No.	Part No.	Description	No. Used
1	28-8130	Pin — Chute Locking	1
2	28-8070	Lanyard	1
3	3256-49	Washer — Flat	1
4	54-9220	Decal — Danger	1
5	67-6690	Ring — Bagger	1
6	3290-412	Rivet — Pop	4
7	67-6580	Bag Assembly	1

Ref. No.	Part No.	Description	No. Used
8	33-2090	Bracket — Chute Support	1
9	67-6800	Chute Assembly (Incl. Ref. #1-6, 8, 10, & 11)	1
10	28-8050	Bracket — Chute Mount	1
11	3290-282	Rivet — Pop	1
12	3229-22	Bolt — Carriage	4
13	3296-42	Nut — Lock	4