



Light Kit Compact Utility Loaders

Model No. 100-8840

Model No. 100-8940

Parts Catalog

Ordering Replacement Parts

To order replacement parts, please supply the part number, the quantity, and the description of each part desired.

Understanding Reference Numbers

Each identified part in an illustration has a reference number. The reference number for a part also appears in the parts list, along with other information about the part.

This catalog uses two special reference number formats, one to indicate parts in a service assembly and another to indicate the quantity of a given part in an illustration.

Service Assembly Reference Numbers

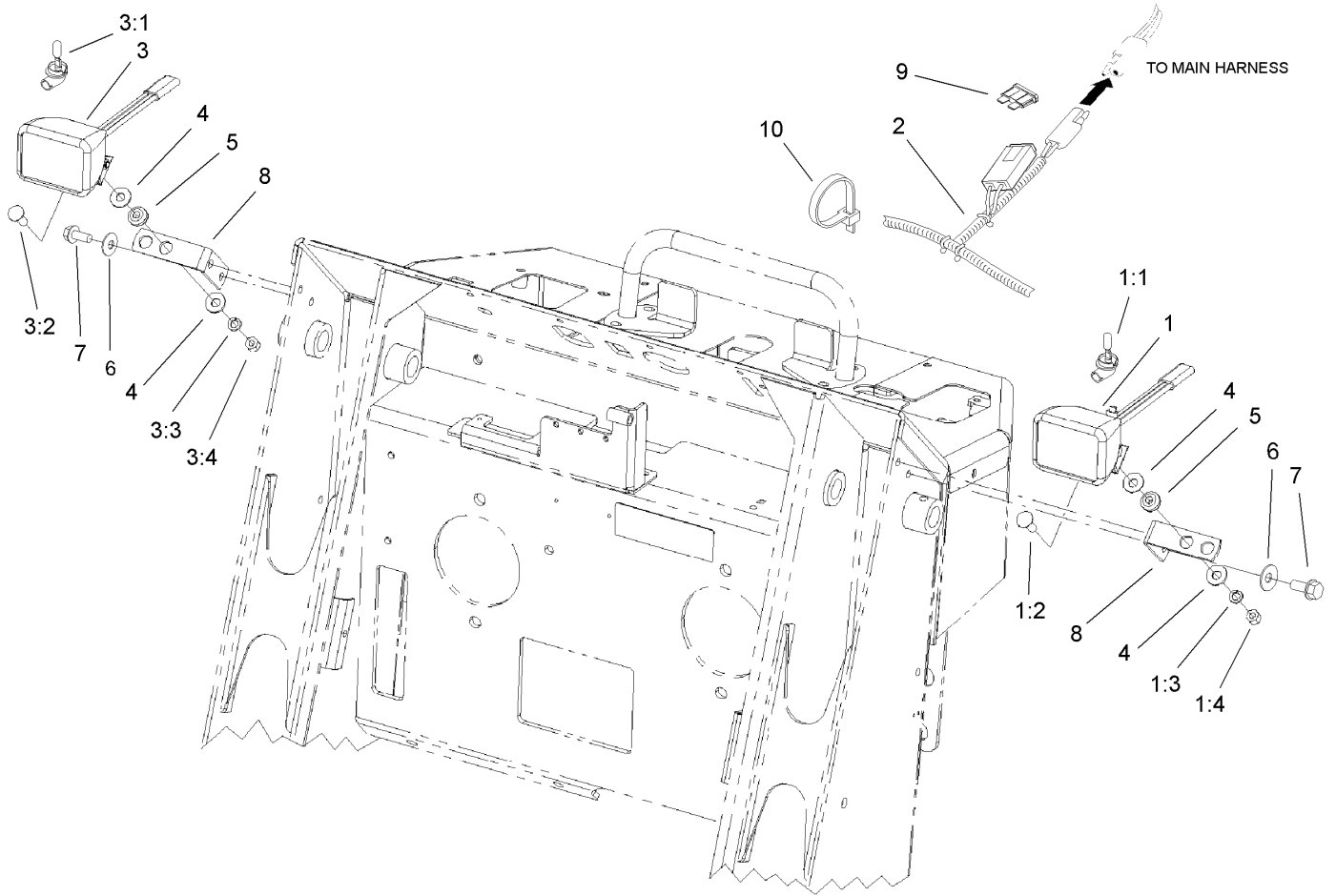
Parts in service assemblies have reference numbers in the form a:b. The a represents the reference number of the entire service assembly and the b represents a sequential number unique to each part within the service assembly.

For example, a wheel assembly might be identified by reference number 6, the tire by 6:1, the valve by 6:2, and the wheel by 6:3. When you order the assembly identified by reference number 6, you receive all parts identified by reference numbers 6:1, 6:2, and 6:3. However, you may also order any part individually. Reference numbers of this type appear in illustrations and in part lists.

Reference Numbers Indicating Quantity

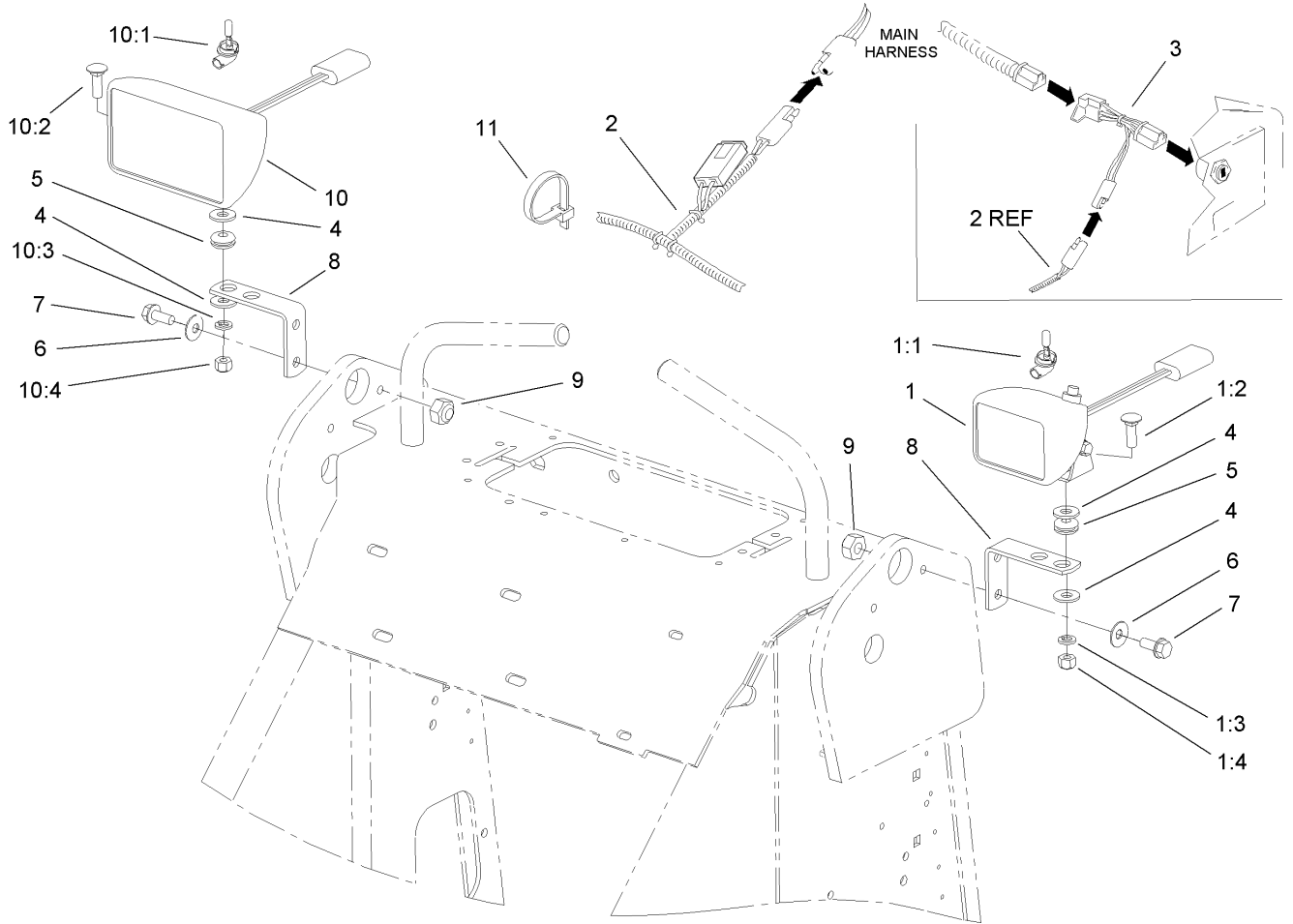
In an illustration, if a reference number indicates more than one part, the reference number has the form nX y. The n represents the quantity of the part, the X is the multiplication symbol, and the y represents the reference number.

For example, in an illustration, the reference number 2X 37 means that two of the parts identified by reference number 37 are indicated.



Light Assembly for 4-Paw and TX Models (Kit 100-8840)

Ref	Part No.	Qty.	Description
1	94-9023	1	Lamp ASM W/Switch
1:1	95-0909	1	Lamp-12 Volt
1:2	3230-28	1	Screw-CARR
1:3	3253-33	1	Washer-Lock
1:4	3217-6	1	Nut-Hex
2	100-8843	1	Harness-Electrical
3	94-9024	1	Lamp-Standard
3:1	95-0909	1	Lamp-12 Volt
3:2	3230-28	1	Screw-CARR
3:3	3253-33	1	Washer-Lock
3:4	3217-6	1	Nut-Hex
4	3256-3	4	Washer-Flat
5	237-141	2	Grommet-Rubber
6	3290-456	2	Washer-Belleville
7	32144-70	4	Screw-HH
8	105-0304	2	Bracket-Light
9	218-578	1	Fuse-10 Amp
10	3290-378	1	Tie-Cable



Light Assembly for Chain Drive Models (Kit 100-8940)

Ref	Part No.	Qty.	Description
1	94-9023	1	Lamp ASM W/Switch
1:1	95-0909	1	Lamp-12 Volt
1:2	3230-28	1	Screw-CARR
1:3	3253-33	1	Washer-Lock
1:4	3217-6	1	Nut-Hex
2	100-8843	1	Harness-Electrical
3	100-8870	1	Harness-Electrical
4	3256-3	4	Washer-Flat
5	237-141	2	Grommet-Rubber
6	3290-456	2	Washer-Belleville
7	32144-70	2	Screw-HH
8	105-0304	2	Bracket-Light
9	3296-29	2	Nut-Lock, NI
10	94-9024	1	Lamp-Standard
10:1	95-0909	1	Lamp-12 Volt
10:2	3230-28	1	Screw-CARR
10:3	3253-33	1	Washer-Lock
10:4	3217-6	1	Nut-Hex
11	3290-378	1	Tie-Cable

