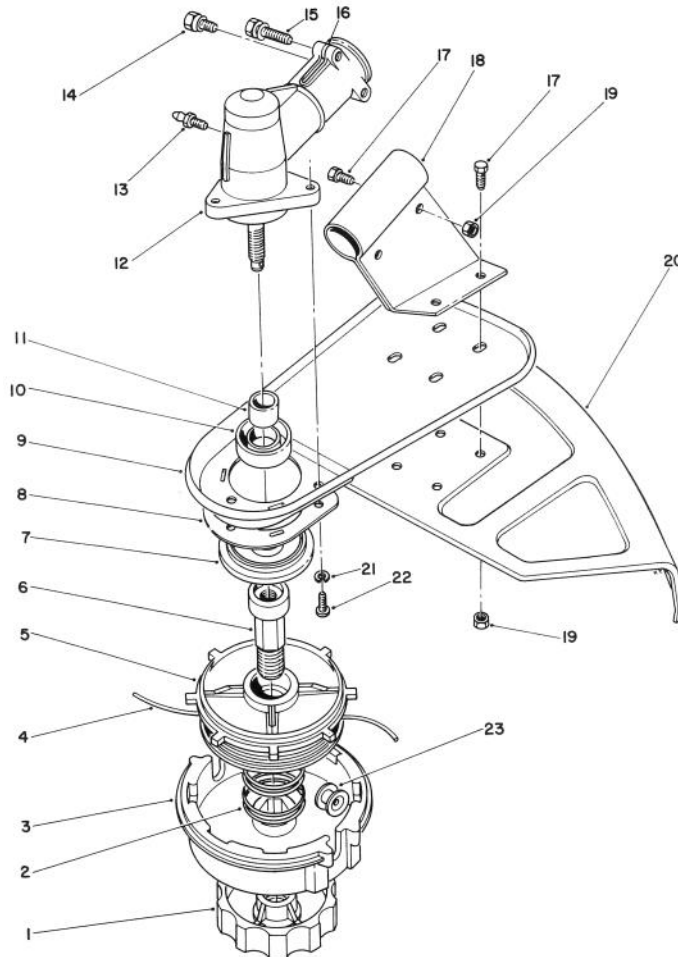


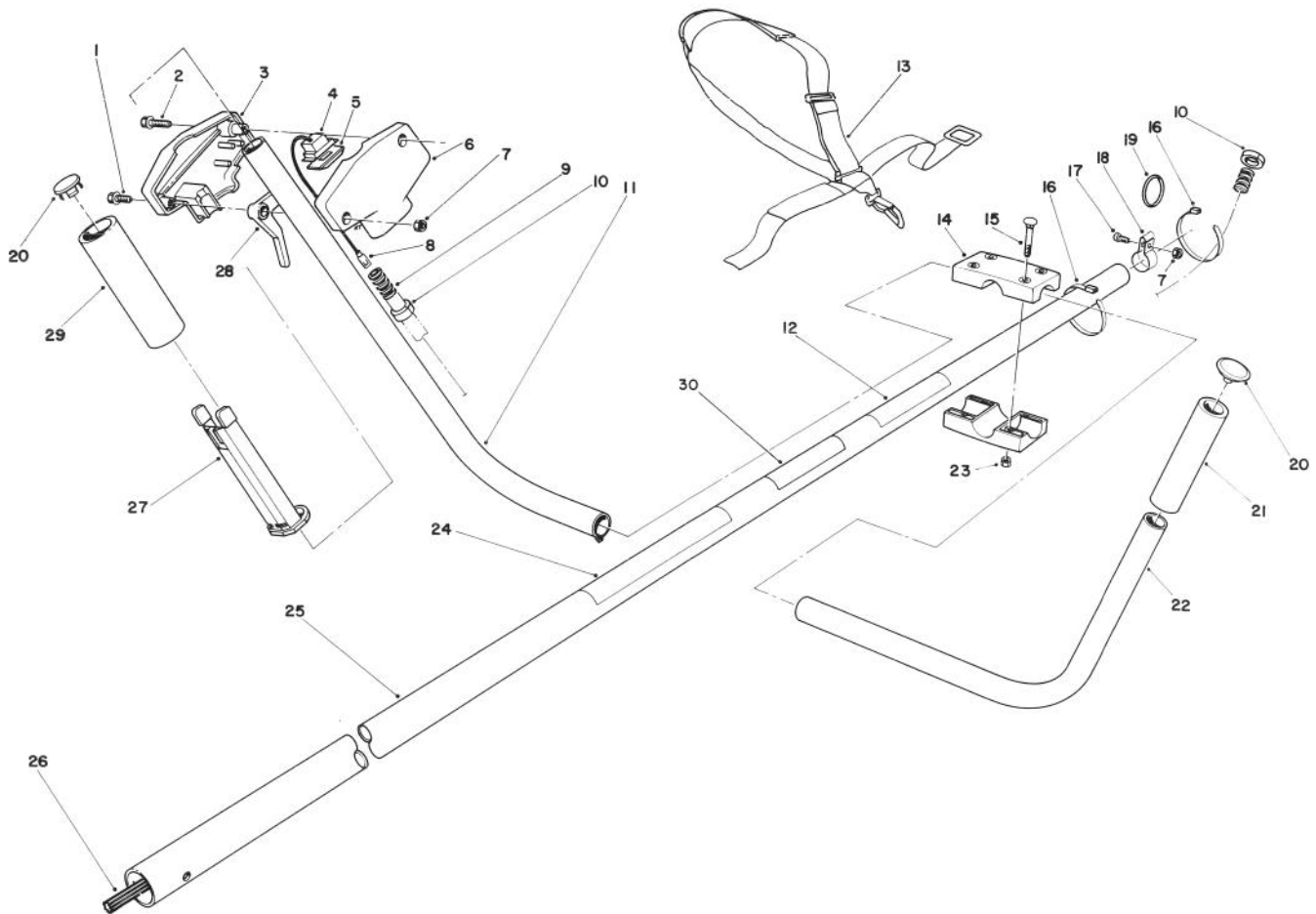
TORO[®]

MODEL NO. 51645-800001 & Up

**PARTS
CATALOG****TC 5000 GAS TRIMMER****TRIMMER HEAD & GEAR BOX ASSEMBLY**

Ref. No.	Part No.	Description	No. Used	Ref. No.	Part No.	Description	No. Used
1	57-5580	Knob — L.H.	1	10	48-2090	Seal — Oil	1
2	57-5620	Spring	1	11	48-2100	Sleeve — Spline	1
3	57-5600	Housing — Spool	1	12	52-5720	Gear Box Assembly (Incl. Ref. #10, 11, & 13-15)	1
4	43-5000	.080 Line (38 Ft.) (Optional)	1	13	53-7410	Fitting — Grease	1
*	46-2710	.080 Line (1 Lb.-400 Ft.) (Optional)	1	14	48-2150	Hex Hd. Machine Screw	1
*	41-6820	.095 Line (1 Lb.-285 Ft.) (Optional)	1	15	48-2130	Hex Hd. Machine Screw	2
*	46-2730	.105 Line (1 Lb.-235 Ft.) (Optional)	1	16	48-2140	Washer	2
*	52-5070	.105 Line (20 Ft.) (Optional)	1	17	32105-8	Hex Hd. Machine Screw	6
*	46-2740	.130 Line (3 Lb.-450 Ft.) (Optional)	1	18	53-7230	Bracket — Shield	1
5	57-5590	Spool — Inner	1	19	3296-2	Locknut	6
6	57-5610	Shaft	1	20	52-5960	Shield — Grass	1
7	48-2080	Dust Cap	1	21	55-8050	Lockwasher	3
8	57-5540	Guard — Grass Wrap	1	22	57-5550	Screw — Guard	3
9	47-2800	Support — Shield	1	23	57-5630	Eyelet	2
				*	57-5670	Head Assembly (Incl. Ref. #1-6, 23)	1

* Not Illustrated

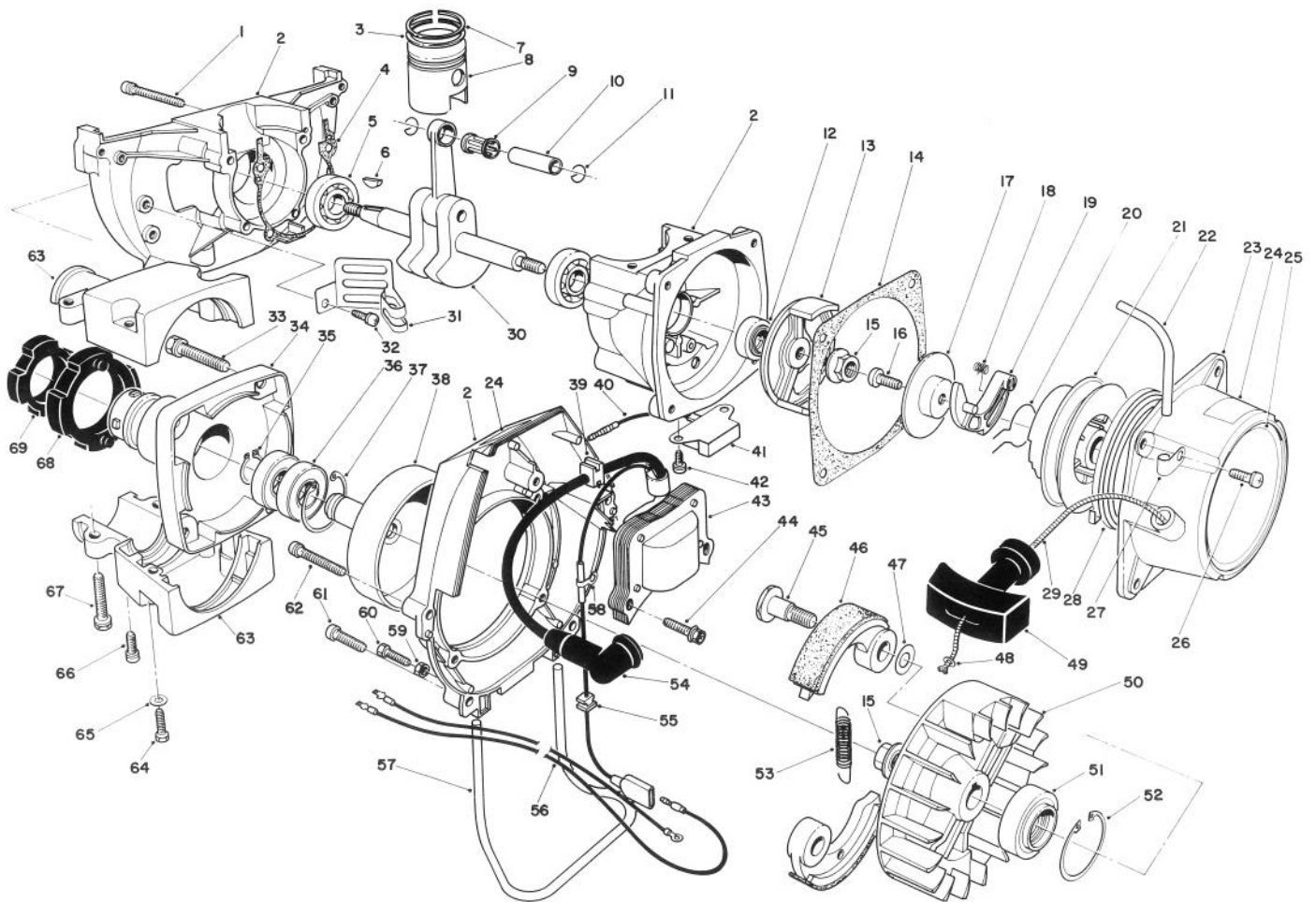


HANDLE ASSEMBLY

Ref. No.	Part No.	Description	No. Used
1	32105-13	Hex Washer Hd. Screw	1
2	32105-12	Hex Washer Hd. Screw	1
3	53-7251	Housing — R.H.	1
4	42-6000	Switch	1
5	218-507	Cap — Switch	1
6	53-7261	Housing — L.H.	1
7	3296-12	Locknut	3
8	53-7370	Wire Assembly	2
9	55-8413	Cover — Cable	1
10	2412-48	Clip	2
11	53-7330	Tube — Handle R.H.	1
12	65-3100	Decal — Danger	1
13	57-5440	Harness — Shoulder	1
14	53-7070	Clamp — Bull Horn	2
15	3229-27	Carriage Bolt	4
16	3290-378	Cable Tie	2

Ref. No.	Part No.	Description	No. Used
17	3251-4	Rd. Hd. Mach. Screw	1
18	44-2430	Clamp — Harness	1
19	44-7540	Ring — Harness	1
20	2410-60	Plug Button	2
21	235-27	Grip — L.H. Handle	1
22	53-7320	Tube — Handle L.H.	1
23	3296-42	Locknut	4
24	63-9420	Decal — Model No.	1
25	66-1460	Tube Assembly	1
26	53-7211	Spline Shaft — Drive	1
27	53-7280	Trough	1
28	53-7270	Lever — Throttle	1
29	53-7110	Grip — R.H. Handle	1
30	65-3090	Decal — Instructions	1
*	46-2690	Clamp & Ring Kit (Incl. Ref. #7, & 17-19)	1

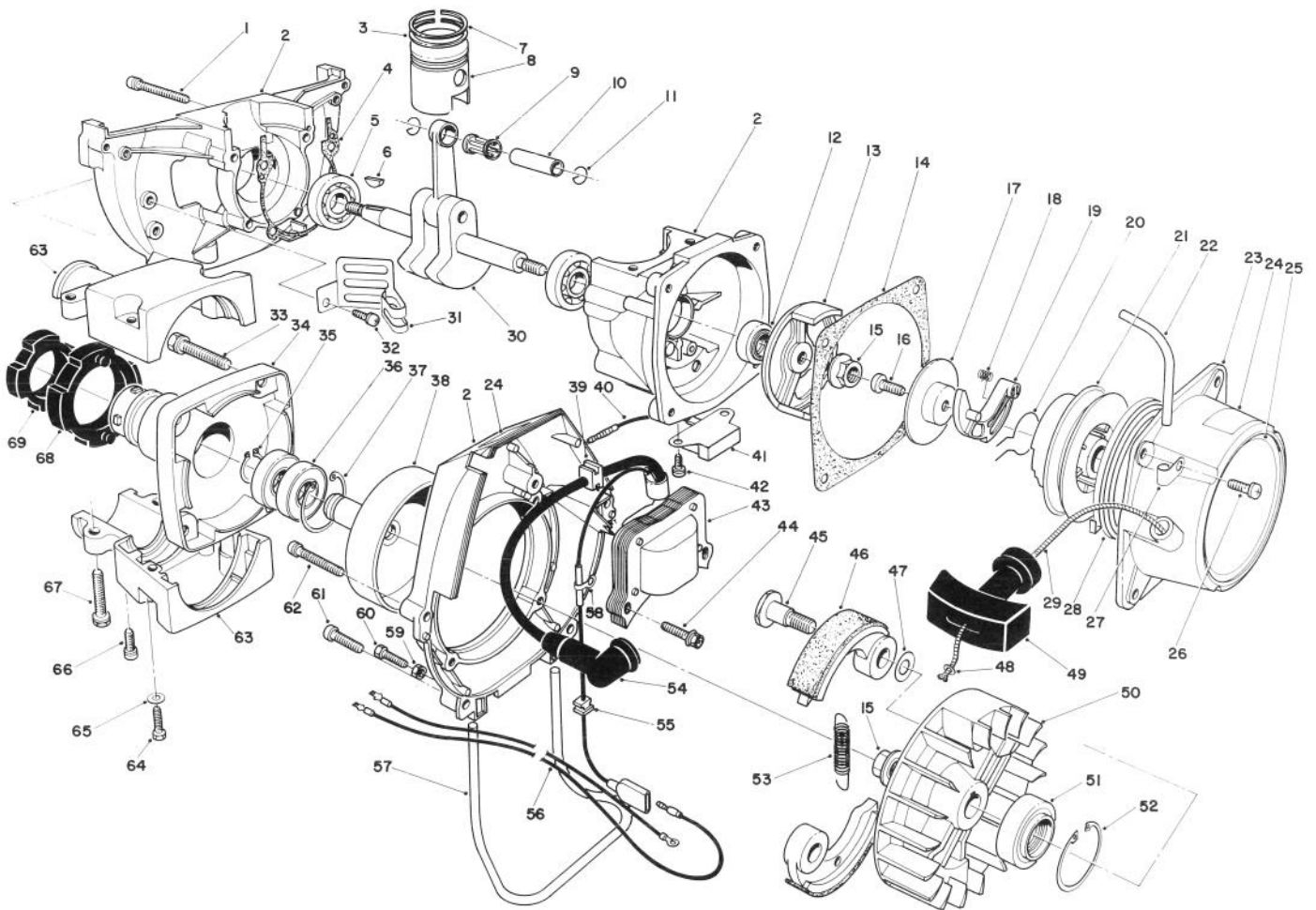
* Not Illustrated



ENGINE ASSEMBLY

Ref. No.	Part No.	Description	No. Used
1	54-5760	Screw & Washer	4
2	54-6540	Crankcase (Incl. Ref. #1, & 61)	1
3	54-6650	Ring — Piston	1
4	54-6580	Gasket — Case	1
5	54-5820	Bearing	2
6	54-4660	Key — Woodruff	1
7	54-6640	Ring — Piston	1
8	54-6660	Piston Set (Incl. Ref. #10)	1
9	54-6690	Bearing — Needle	1
10	54-6670	Pin — Piston	1
11	54-6680	Clip — Piston Pin	2
12	54-4380	Seal — Oil	1
13	54-6290	Pulley — Starter	1
14	54-6980	Gasket — Starter	1
15	54-4670	Nut — Conical	2
16	54-6340	Screw	1
17	54-6350	Plate — Friction	1
18	54-6330	Spring — Return	1
19	54-6360	Ratchet	1
20	54-6320	Spring — Friction	1
21	54-7000	Reel	1

Ref. No.	Part No.	Description	No. Used
22	54-6800	Tube — Fuel	1
23	54-6990	Recoil — Starter (Incl. Ref. #13, 16-21, 24, 25, 28, 29, & 49)	1
24	65-2690	Decal — Hot	2
25	53-7380	Decal — Toro	1
26	54-6260	Screw & Washer	3
27	54-5340	Clamp	1
28	54-7010	Spring — Spiral	1
29	54-7030	Rope — Starter	1
30	54-6700	Crankshaft (Incl. Ref. #6 & 9)	1
31	54-6570	Clamp	1
32	54-5790	Screw & Washer	1
33	54-4440	Bolt & Washer	4
34	54-6550	Case — Clutch	1
35	54-5690	Snap Ring	1
36	54-5680	Bearing	2
37	54-5670	Snap Ring	1
38	54-6920	Drum — Clutch	1
39	54-6000	Grommet	1
40	54-6770	Wire — Lead	1

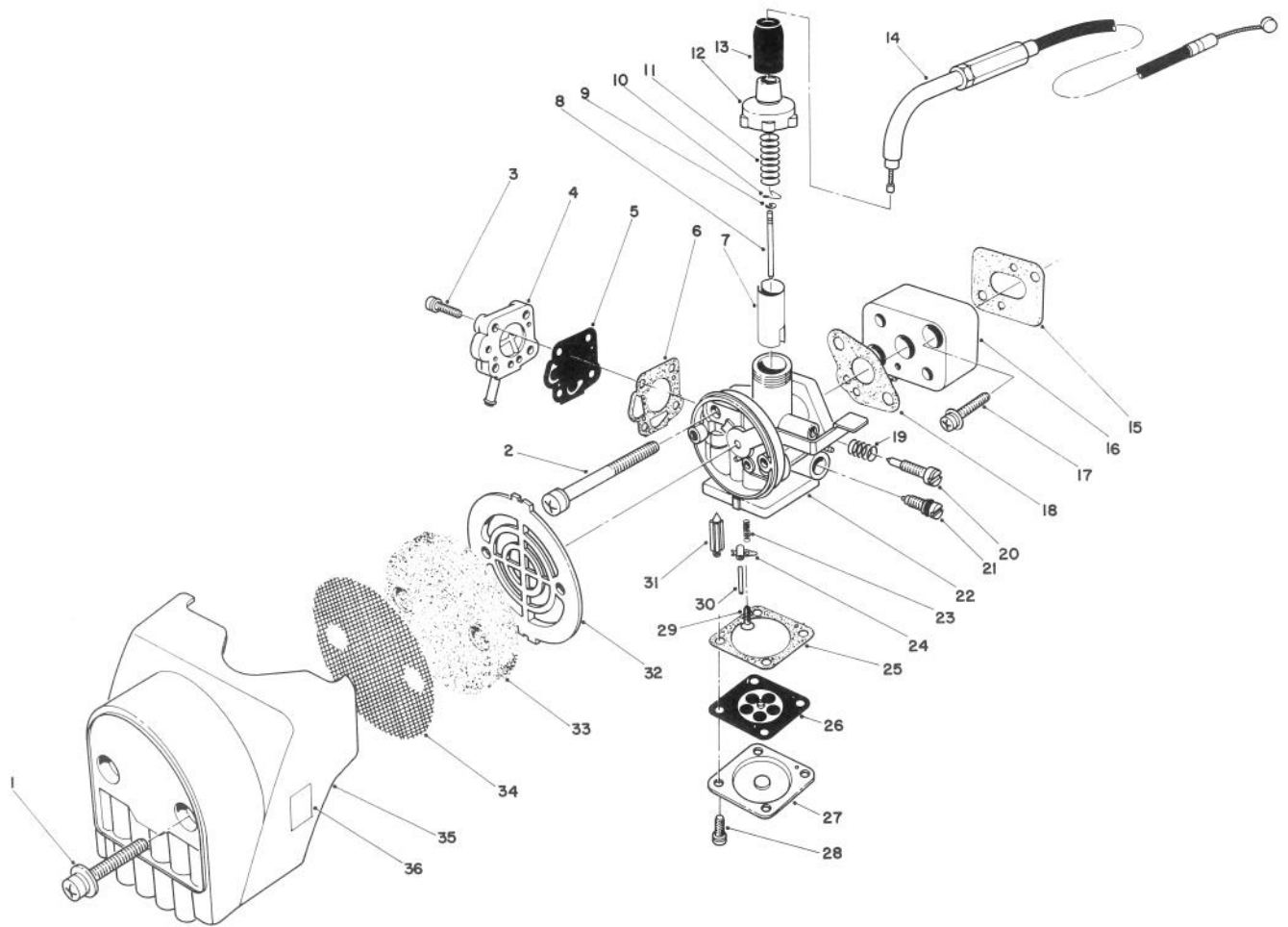


ENGINE ASSEMBLY (Continued)

Ref. No.	Part No.	Description	No. Used
41	54-6750	Unit — Transistor (Incl. Ref. #40)	1
42	54-6760	Screw & Washer	2
43	54-6710	Coil — Ignition	1
44	54-4790	Bolt & Washer	2
45	54-6930	Bolt — Clutch	2
46	54-6960	Shoe — Clutch	2
47	54-6950	Washer	2
48	54-7020	Washer	1
49	54-5440	Knob — Starter	1
50	54-6780	Flywheel	1
51	54-5800	Seal — Oil	1
52	54-4490	Snap Ring	1
53	54-6970	Spring	1
54	54-4730	Cap — Plug	1
55	54-6730	Grommet	1
56	54-6740	Wire — Lead	1

Ref. No.	Part No.	Description	No. Used
57	53-7130	Guard — Gas Tank	1
58	54-6720	Clamp	1
59	54-5840	Nut	2
60	54-5830	Bolt	2
61	54-5770	Screw	3
62	54-4330	Screw	1
63	54-6560	Holder	1
64	54-6500	Bolt	2
65	54-6490	Washer — Spring	2
66	54-5730	Screw & Washer	1
67	54-5740	Bolt & Washer	2
68	54-6460	Rubber — Cushion	1
69	54-6470	Rubber — Cushion	1
*	54-6940	Clutch Assembly (Incl. Ref. #46 & 53)	1
*	52-5770	Engine Assembly (Complete)	1

* Not Illustrated

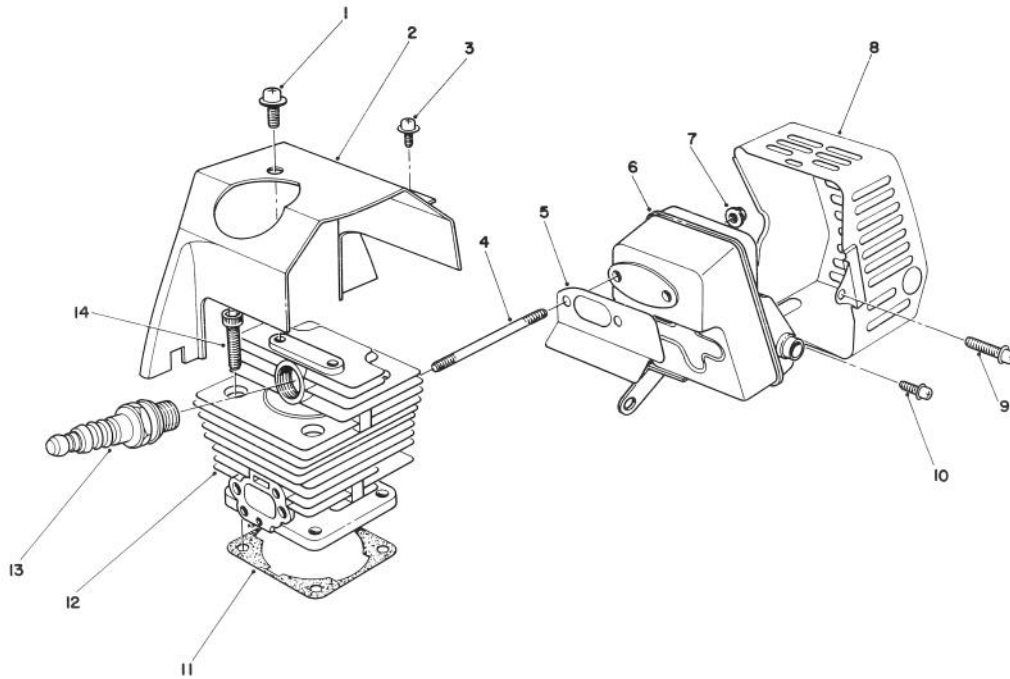


CARBURETOR & AIR CLEANER ASSEMBLY

Ref. No.	Part No.	Description	No. Used
1	54-5150	Screw & Washer	2
2	54-4870	Screw & Washer	2
3	54-5040	Screw & Washer	4
4	54-6120	Cover — Pump	1
5	54-6110	Diaphragm — Pump	1
6	54-5010	Gasket — Pump Cover	1
7	54-6840	Valve — Throttle	1
8	54-6830	Jet Needle Assembly	1
9	54-4930	Retainer — Spring	1
10	54-7090	Clip — Needle	1
11	54-6820	Spring — Throttle	1
12	54-4910	Cap — Mixing Chamber	1
13	54-4900	Cap — Rubber	1
14	54-6850	Wire — Throttle	1
15	54-6790	Gasket — Insulator	1
16	54-6040	Insulator	1
17	54-6050	Screw & Washer	2
18	54-4850	Gasket — Carburetor	1
19	54-4960	Spring — Adjusting Screw	1
20	54-6090	Screw — Adjusting	1

Ref. No.	Part No.	Description	No. Used
21	54-4980	Main Jet Needle Assembly	1
22	54-6810	Carburetor Assembly (Incl. Ref. #3-13, 19-21, & 23-31)	1
23	54-4990	Spring — Inlet Valve	1
24	54-5060	Arm — Float	1
25	54-5000	Gasket — Main Diaphragm	1
26	54-6130	Main Diaphragm Assembly	1
27	54-5100	Cover — Main Diaphragm	1
28	54-5110	Screw & Washer	4
29	54-5080	Screw — Float Pin	1
30	54-5070	Pin — Float	1
31	54-5050	Valve — Float	1
32	54-5200	Grid	1
33	54-5190	Element	1
34	54-5180	Screen	1
35	54-6870	Cover — Cleaner	1
36	54-5170	Label — Choke	1
*	54-6860	Air Cleaner Complete (Incl. Ref. #32-36)	1

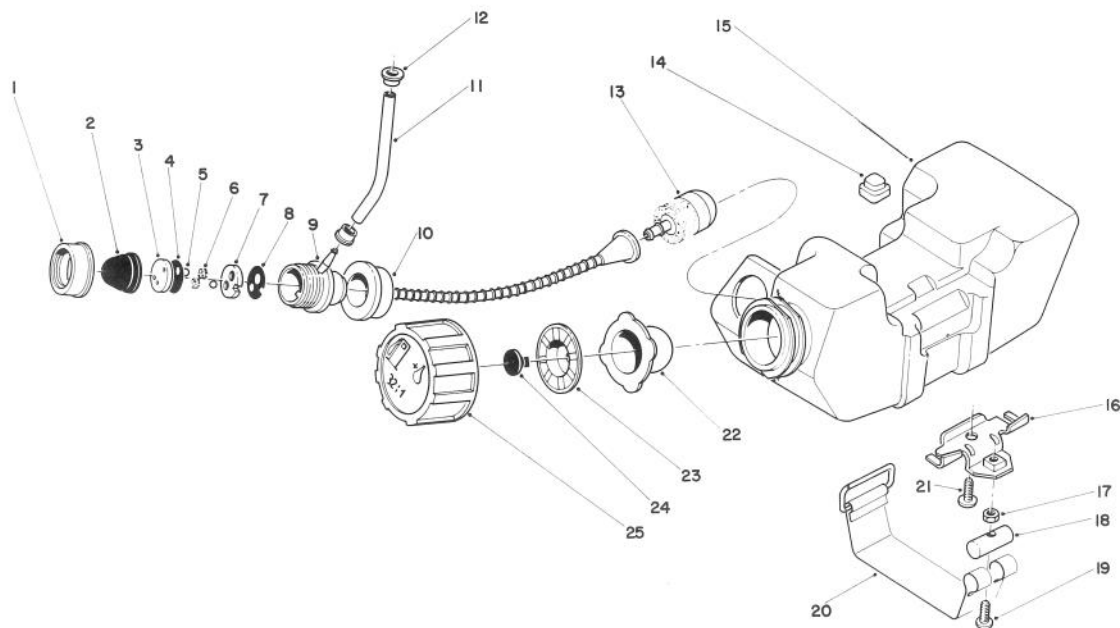
* Not Illustrated



CYLINDER & MUFFLER ASSEMBLY

Ref. No.	Part No.	Description	No. Used
1	54-5850	Screw & Washer	1
2	54-6590	Cover — Cylinder	1
3	54-6150	Screw & Washer	2
4	54-6630	Bolt — Stud	2
5	54-6910	Gasket — Muffler	1
6	54-6900	Muffler	1
7	54-6170	Flange Nut	2

Ref. No.	Part No.	Description	No. Used
8	54-6880	Cover — Muffler	1
9	54-6210	Screw & Washer	1
10	54-6890	Screw & Washer	1
11	54-6620	Gasket — Cylinder	1
12	54-6610	Cylinder (Incl. Ref. #4)	1
13	45-0320	Spark Plug	1
14	54-6600	Bolt	4

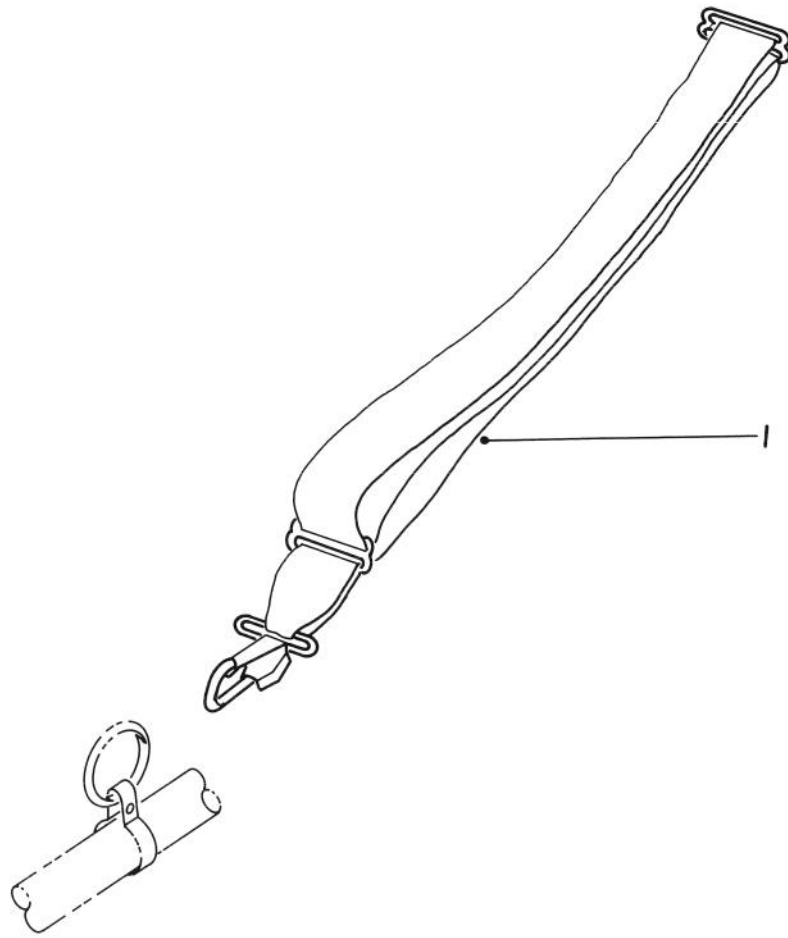


FUEL TANK ASSEMBLY

Ref. No.	Part No.	Description	No. Used
1	54-5510	Cap — Pump	1
2	54-5520	Cap	1
3	54-5530	Seat — Valve	1
4	54-5460	Gasket	1
5	54-5480	Ball	2
6	54-5470	Sponge	2
7	54-5490	Seat — Valve	1
8	54-5500	Gasket	1
9	54-5570	Pump — Primer (Incl. Ref. #2-8)	1
10	54-7050	Hose — Suction	1
11	54-7040	Tube — Fuel	1
12	54-5550	Clip	2
13	54-5540	Filter — Fuel	1
14	54-6400	Pad	4

Ref. No.	Part No.	Description	No. Used
15	54-7070	Fuel Tank Assembly (Incl. Ref. #1-10, 13, 21-24)	1
16	54-7080	Hanger — Tank	1
17	54-5840	Nut	1
18	54-6430	Bar	1
19	54-4330	Screw	1
20	54-7060	Band — Tank	1
21	56-6150	Screw	1
22	54-5630	Gasket	1
23	54-5620	Holder	1
24	54-5610	Valve — Breather	1
25	54-5600	Cap — Tank	1
*	54-5590	Tank Cap Assembly (Incl. Ref. #22-25)	1

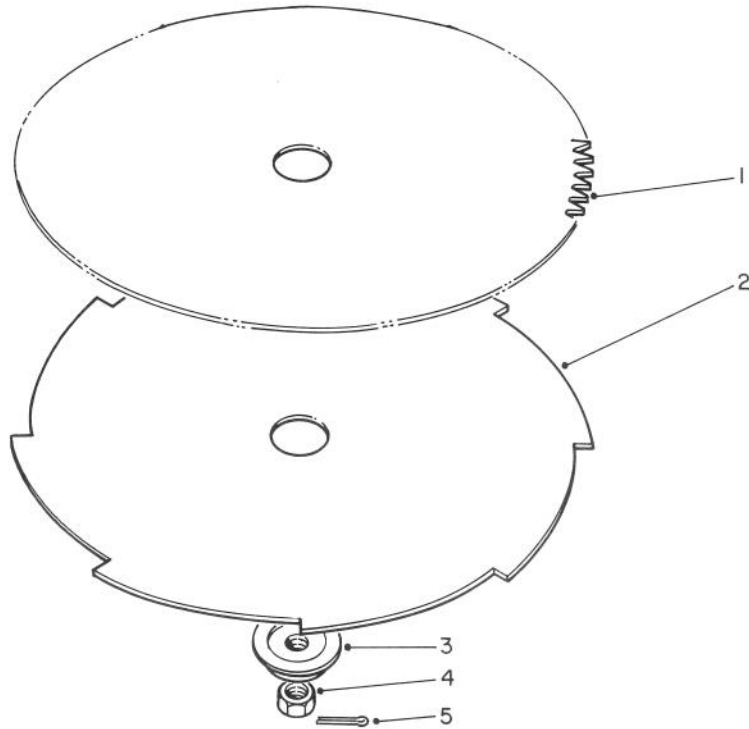
* Not Illustrated



SHOULDER HARNESS (Optional)

Ref. No.	Part No.	Description	No. Used
1	46-2951	Harness — Shoulder	1

Ref. No.	Part No.	Description	No. Used

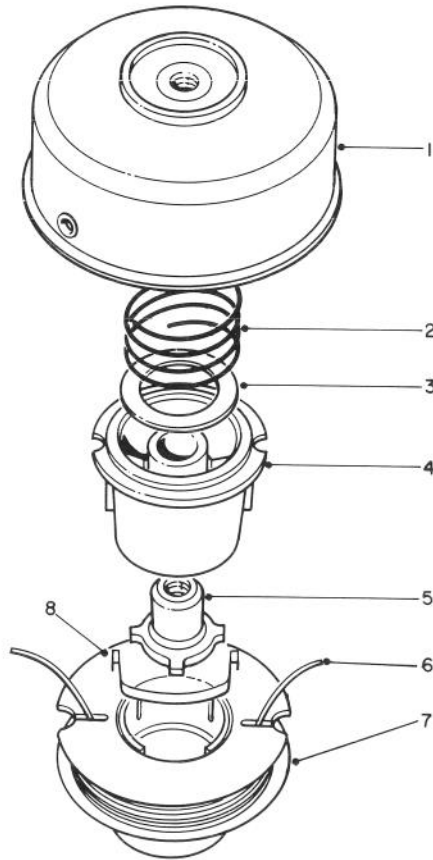


SAW BLADE AND BRUSH BLADE (Optional)

Ref. No.	Part No.	Description	No. Used
1	51-1230	8" Dia. Saw Blade (80 Tooth)	1
2	51-1240	8" Dia. Blade (8 Tooth)	1
3		Adapter — Blade	1

Ref. No.	Part No.	Description	No. Used
4	41-5410	Nut	1
5	3272-3	Cotter Pin	1
*	41-4440	Blade Adapter Kit (Incl. Ref. #3-5)	1

* Not Illustrated

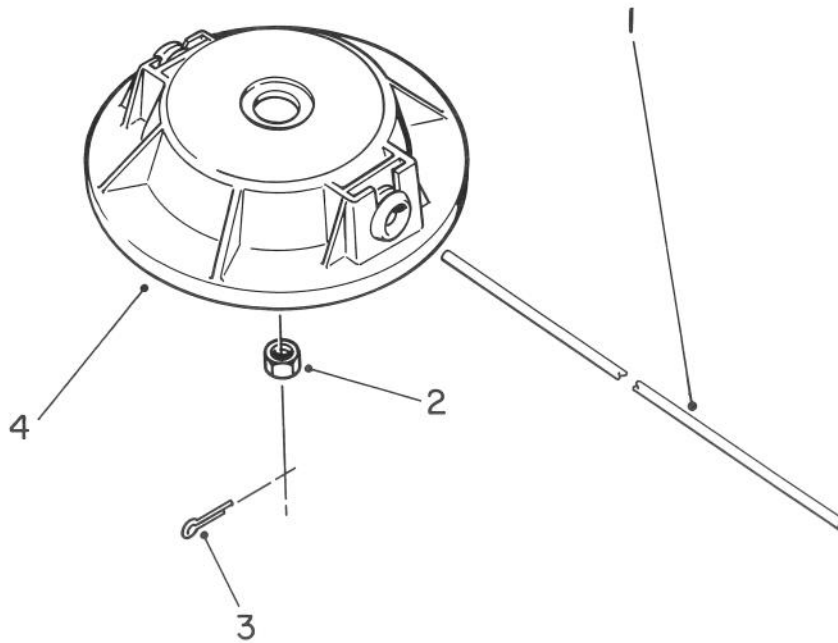


DUAL LINE TAP & TRIM HEAD NO. 46-2800 (Optional)

Ref. No.	Part No.	Description	No. Used
1	46-2650	Drum Assembly w/Eyelet	1
2	33-6460	Spring	1
3	3256-42	Washer	1
4	33-6230	Spool Core	1
5	61-4560	Driver L.H.	1

Ref. No.	Part No.	Description	No. Used
6	43-5000	.080 Filament Line in Coil (38 Ft.)	1
*	46-2710	.080 Filament Line in 1 Lb. Pkg. (400 Ft.)	1
7	46-2820	Prewound Spool	1
8	33-8940	Saddle — Spool Cap	1

* Not Illustrated

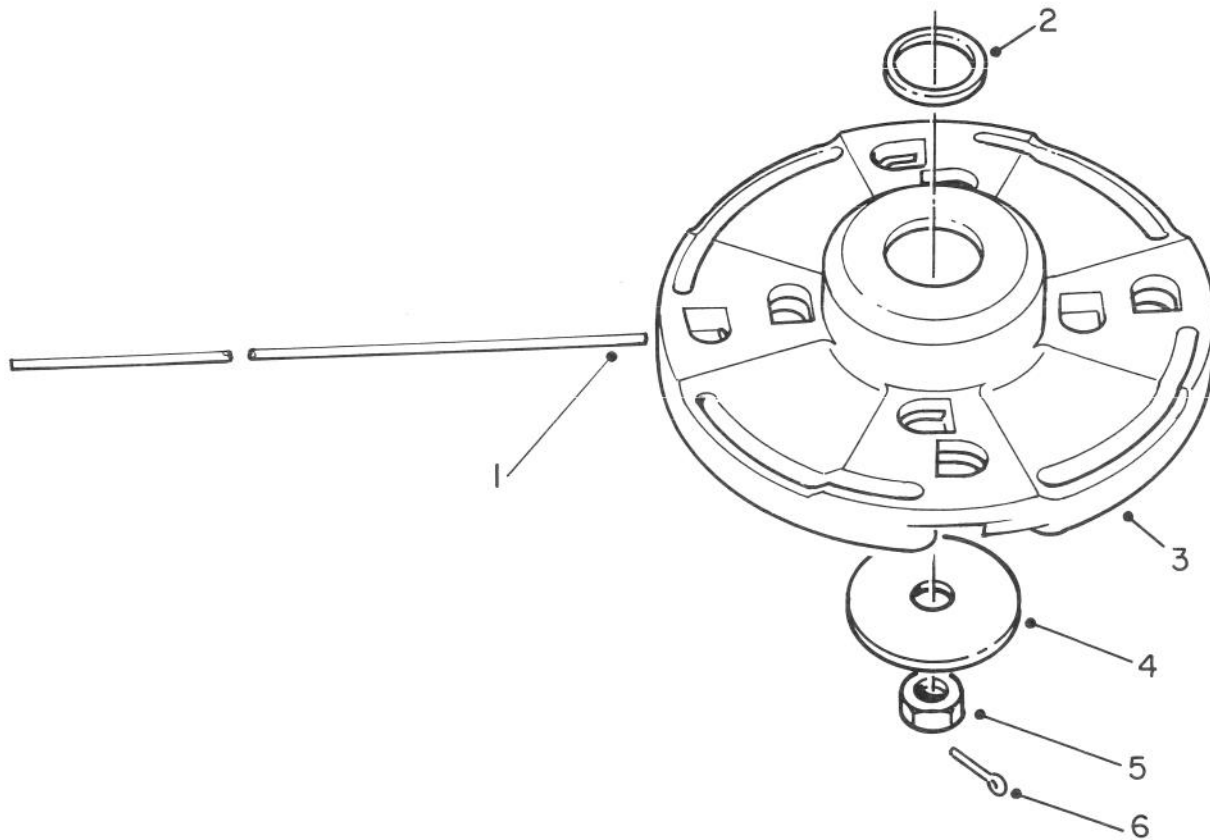


FIXED LINE HEAD (Optional)

Ref. No.	Part No.	Description	No. Used
1	47-2260	.105 (100 Pcs.) (Optional)	1
*	46-2730	.105 Line (1 Lb.-235 Ft.) (Optional)	1
*	47-2250	.105 Line 16" (24 Pcs.) (Optional)	1

Ref. No.	Part No.	Description	No. Used
2	41-5410	Hex Nut	1
3	3272-1	Cotter Pin	1
4	51-2760	Head Assembly	1

* Not Illustrated

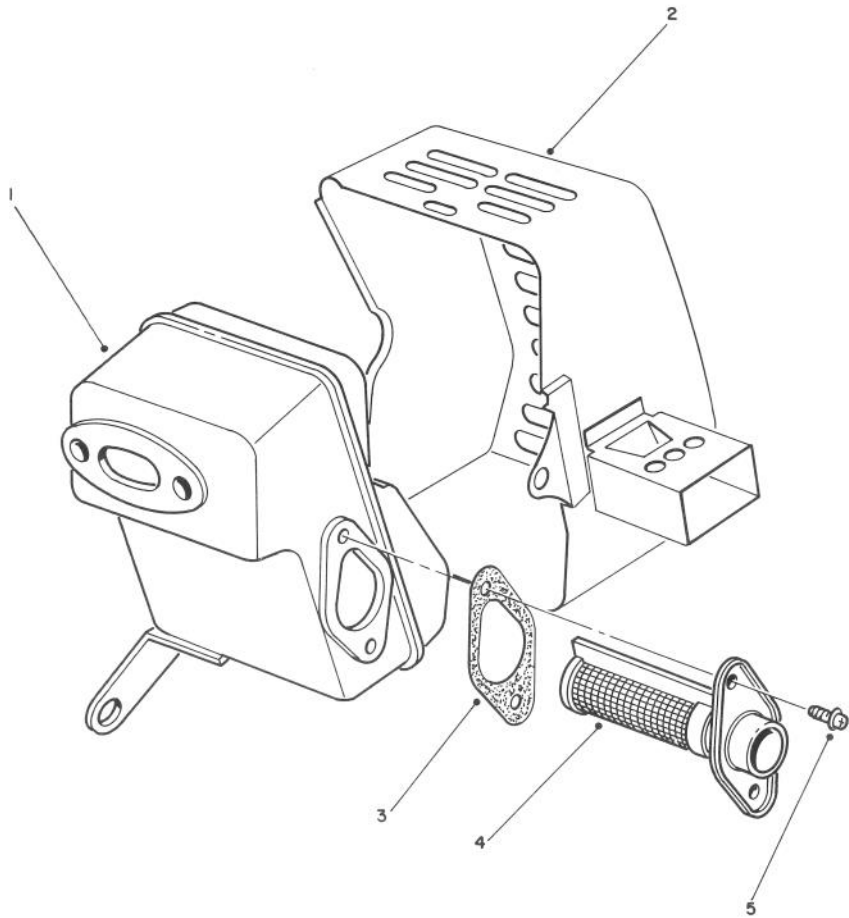


FIXED LINE HEAD (Optional)

Ref. No.	Part No.	Description	No. Used
1	47-2260	.105 (100 Pcs.) (Optional)	1
*	46-2730	.105 Line (1 Lb.-235 Ft.) (Optional)	1
*	47-2250	.105 Line 16" (24 Pcs.) (Optional)	1
*	42-0580	.130 Line (100 Pcs.) (Optional)	1
*	46-2740	.130 Line (3 Lb.-450 Ft.) (Optional)	1

Ref. No.	Part No.	Description	No. Used
2	44-6950	Spacer	1
3	46-2810	Head Assembly (Incl. Ref. #2)	1
4	41-4430	Washer — Plate	1
5	41-5410	Hex Nut	1
6	3272-3	Cotter Pin	1

* Not Illustrated



SPARK ARRESTOR MUFFLER KIT NO. 55-7400

Ref. No.	Part No.	Description	No. Used
1	61-9330	Muffler	1
2	61-9320	Cover — Muffler	1
3	61-9300	Gasket	1

Ref. No.	Part No.	Description	No. Used
4	61-9290	Spark Arrestor	1
5	61-9220	Screw & Washer	2

PRODUCT CHANGES

In an effort to make improvements available to TORO owners as quickly as possible, minor changes are incorporated into Toro's products from time to time that do not become immediately shown in the Parts Catalog. If such a change apparently has been made in your unit, which is not reflected in your manual, see your TORO Distributor or his Authorized TORO Service Dealer for information and part numbers.

IDENTIFICATION AND ORDERING

MODEL AND SERIAL NUMBERS

The Trimmer has two identification numbers: a model number and a serial number. The two numbers are stamped on a decal which is located in front of throttle lever on bottom side of drive shaft tube. In any correspondence concerning the trimmer, supply model and serial numbers to assure that correct information and replacement parts are obtained.

To order replacement parts from an Authorized TORO Service Dealer, supply the following information:

1. Model and serial numbers of the trimmer.
2. Part number, description, and quantity of part(s) desired.

Note: Do not order by reference number if a parts catalog is being used; use the PART NUMBER.

The Toro Promise

TORO GAS TRIMMER/WEEDER A TWO YEAR LIMITED WARRANTY

The Toro Company promises to repair your TORO Product if defective in materials or workmanship. The following time periods from the date of purchase apply:

Residential Product	2 Years
Residential Products Used Commercially	90 Days

The costs of parts and labor are included, but the customer pays the transportation costs. Just return any residential product to an Authorized TORO Service Dealer or TORO Distributor.

Should you feel your TORO Product is defective and wish to rely on The Toro Promise, the following procedure is recommended:

1. Contact any Authorized TORO Service Dealer, TORO Master Service Dealer, or TORO Distributor (the Yellow Pages of your telephone directory is a good reference source).
2. He will either instruct you to return the product to him or recommend another Authorized TORO Service outlet which might be more convenient.
3. Bring the product along with your original sales slip, or other evidence of purchase date, to the service dealer.
4. The servicing dealer will inspect the unit, advise you whether the product is defective and, if so, make all repairs necessary to correct the defect without extra charge to you.

If for any reason you are dissatisfied with the dealer's analysis of the defect or the service performed, you may contact us.

Write:

TORO Consumer Service Department
8111 Lyndale Avenue South
Minneapolis, Minnesota 55420

The above remedy of product defects through repair by an Authorized TORO Service Dealer is the purchaser's sole remedy for any defect.

THERE IS NO OTHER EXPRESS WARRANTY. ALL IMPLIED WARRANTIES OF MERCHANTABILITY AND

FITNESS FOR USE ARE LIMITED TO THE DURATION OF THE EXPRESS WARRANTY.

Some states do not allow limitations on how long an implied warranty lasts, so the above limitation may not apply to you.

This warranty applies only to parts or components which are defective and does not cover repairs necessary due to normal wear, misuse, accidents, or lack of proper maintenance. Regular, routine maintenance of the unit to keep it in proper operating condition is the responsibility of the owner.

All warranty repairs reimbursable under The Toro Promise must be performed by an Authorized TORO Service Dealer using Toro approved replacement parts.

Repairs or attempted repairs by anyone other than an Authorized TORO Service Account are not reimbursable under The Toro Promise. In addition, these unauthorized repair attempts may result in additional malfunctions, the correction of which is not covered by warranty.

THE TORO COMPANY IS NOT LIABLE FOR INDIRECT, INCIDENTAL OR CONSEQUENTIAL DAMAGES IN CONNECTION WITH THE USE OF THE PRODUCT INCLUDING ANY COST OR EXPENSE OF PROVIDING SUBSTITUTE EQUIPMENT OR SERVICE DURING PERIODS OF MALFUNCTION OR NON-USE.

Some states do not allow the exclusion or limitation of incidental or consequential damages, so the above limitation or exclusion may not apply to you.

This warranty gives you specific legal rights, and you may also have other rights which vary from state to state.

COUNTRIES OTHER THAN THE UNITED STATES OR CANADA

Customers who have purchased TORO products exported from the United States or Canada should contact their TORO Distributor (Dealer) to obtain guarantee policies for your country, province or state. If for any reason

you are dissatisfied with your Distributor's service or have difficulty obtaining guarantee information, contact the TORO importer. If all other remedies fail, you may contact us at The Toro Company.

