



## Power Max 6000 Snowthrower

Model No. 38595 - 260000001 and up.

### Parts Catalog

---

#### Ordering Replacement Parts

To order replacement parts, please supply the part number, the quantity, and the description of each part desired.

#### Understanding Reference Numbers

Each identified part in an illustration has a reference number. The reference number for a part also appears in the parts list, along with other information about the part.

This catalog uses two special reference number formats, one to indicate parts in a service assembly and another to indicate the quantity of a given part in an illustration.

#### Service Assembly Reference Numbers

Parts in service assemblies have reference numbers in the form a:b. The a represents the reference number of the entire service assembly and the b represents a sequential number unique to each part within the service assembly.

For example, a wheel assembly might be identified by reference number 6, the tire by 6:1, the valve by 6:2, and the wheel by 6:3. When you order the assembly identified by reference number 6, you receive all parts identified by reference numbers 6:1, 6:2, and 6:3. However, you may also order any part individually. Reference numbers of this type appear in illustrations and in part lists.

#### Reference Numbers Indicating Quantity

In an illustration, if a reference number indicates more than one part, the reference number has the form nX y. The n represents the quantity of the part, the X is the multiplication symbol, and the y represents the reference number.

For example, in an illustration, the reference number 2X 37 means that two of the parts identified by reference number 37 are indicated.

# Contents

Description	Page	Description	Page
Auger and Housing Assembly	..... 3	Carburetor Assembly No. 640349 Tecumseh LH318SA-156590H	..... 13
26in Auger Gearcase Assembly No. 108-7328	..... 4	Engine Assembly Tecumseh LH318SA-156590H	..... 14
Chute Assembly	..... 5	Engine Assembly (continued) Tecumseh LH318SA-156590H	..... 16
Chain Drive Assembly	..... 6	Recoil Starter Assembly No. 590749 Tecumseh LH318SA-156590H	..... 18
Frame Assembly	..... 7	Electric Starter Assembly No. 37102 (Optional) Tecumseh LH318SA-156590H	..... 19
Control Panel Assembly	..... 9	Recoil Starter Assembly No. 590733 (Optional) Tecumseh LH318SA-156590H	..... 20
Handle and Control Assembly	..... 10	Attachments and Accessories List	..... 21
Lever Chute Control Assembly	..... 11		
Engine and Belt Assembly	..... 12		

## Part Description Abbreviations

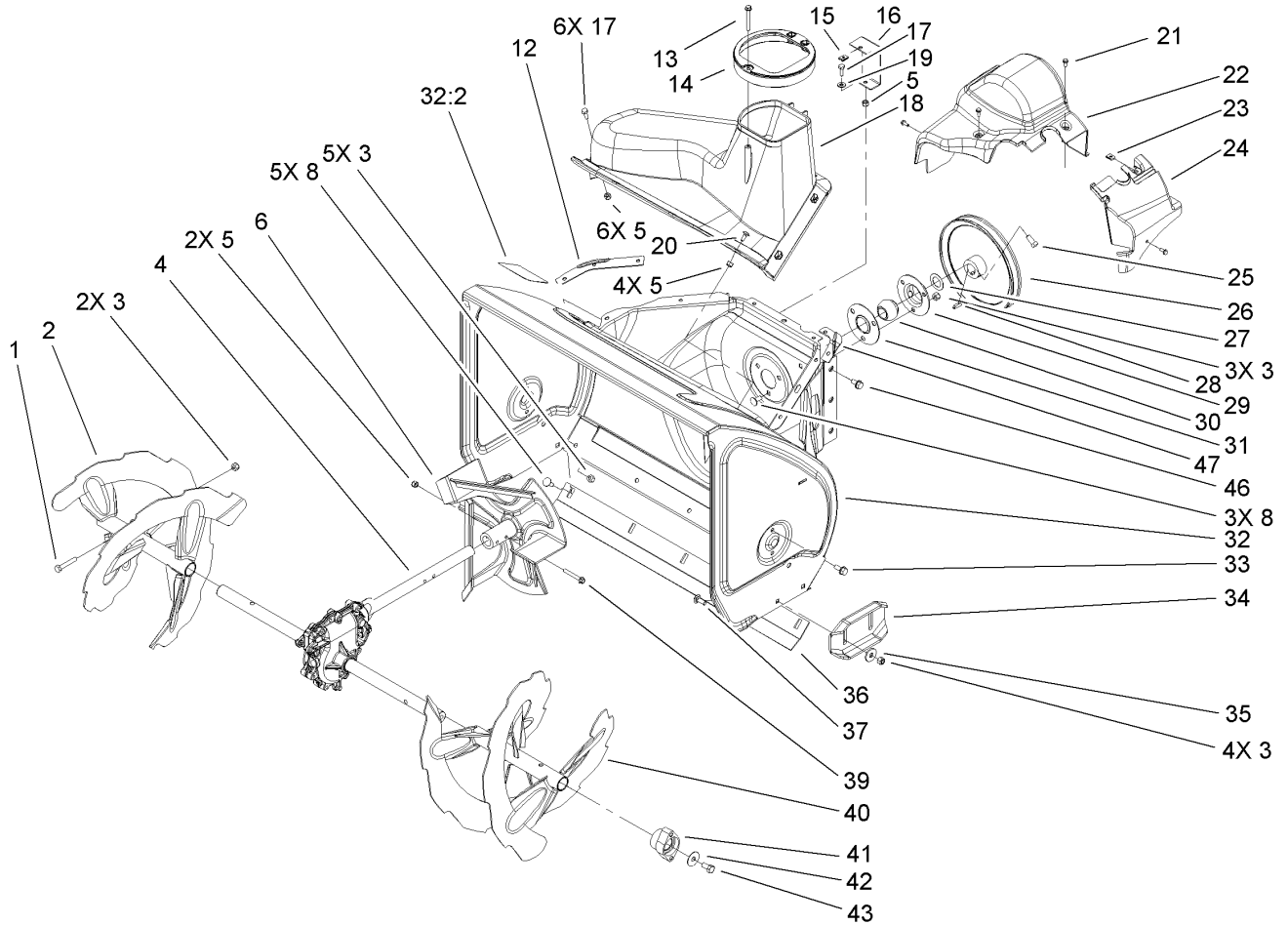
Part descriptions in this catalog may include the following abbreviations.

AR. .... as required	INC. .... incorporated
ASM. .... assembly	LH. .... left hand
BBC. .... blade brake clutch	NI. .... nylon insert
CARR. .... carriage	NPTF. .... national pipe thread fine
DEG. .... degrees	PFH. .... phillips flat head
EXT. .... external	PPH. .... phillips pan head
FH. .... flat head	PPHTF. .... phillips pan head thread forming
GA. .... gauge	PRH. .... phillips round head
HF. .... hex flange	PTH. .... phillips truss head
HH. .... hex head	PTO. .... power-take-off
HHF. .... hex head flange	RH. .... right hand
HHFTF. .... hex head flange thread forming	ROPS. .... roll-over-protection-system
HJ. .... hex jam	SFH. .... slotted fillister head
HLH. .... hex lag head	SHH. .... slotted hex head
HOC. .... height-of-cut	SHWH. .... slotted hex washer head
HSBH. .... hex socket button head	SPH. .... slotted pan head
HSFH. .... hex socket flat head	SQH. .... square head
HSH. .... hex socket head	SRH. .... slotted round head
HWH. .... hex washer head	STD. .... standard
HWHTF. .... hex washer head thread forming	TAP. .... self tapping
HYD. .... hydraulic	TTH. .... torx truss head

## Footnotes

- ❶ Not illustrated
- ❷ Obtain from your local Tecumseh dealer

- ❸ Not serviced separately

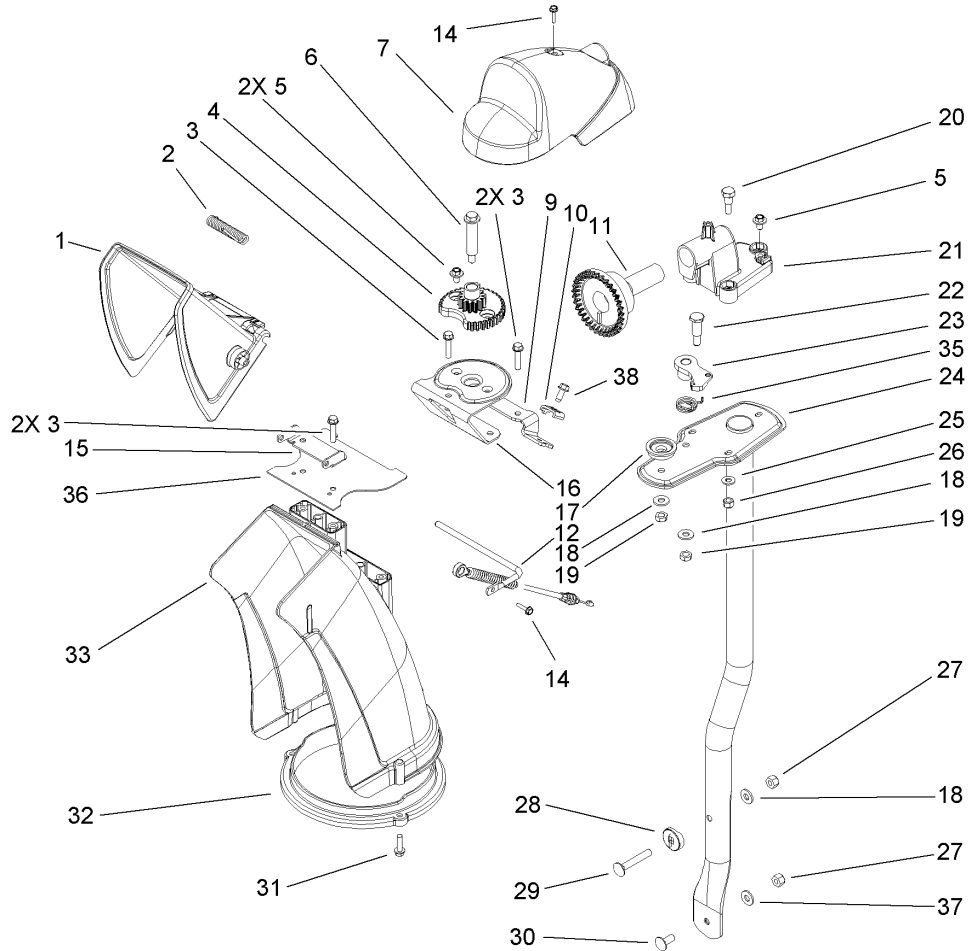


## Auger and Housing Assembly

Ref	Part No.	Qty.	Description
1	322-21	2	Screw-HH
2	106-7289-03	1	RH Auger ASM
3	3296-29	14	Nut-Lock, NI
4	108-7328	1	26 Inch Auger Gearcase ASM
5	3296-42	13	Nut-Lock, NI
6	106-4576-03	1	Impeller ASM
8	3230-23	8	Screw-CARR
12	107-1017-03	1	Seal-Flange, Cover
13	107-3003	1	Screw-Plastite
14	107-3006	1	Guide-Chute
15	107-1013	1	Nut-Speed, U-Type
16	107-1014-03	1	Bracket-Cover, Clip Nut
17	321-4	7	Screw-HH
18	108-0017	1	Cover
19	3256-22	1	Washer-Flat
20	3229-1	4	Screw-CARR
21	32144-112	4	Screw-HWH
22	107-1001	1	Cover-Belt
23	701493	1	Nut-Speed
24	107-1016	1	Cover-Extension, Belt
25	3242-4	2	Screw-Set, SQH
26	62-1300	1	Pulley-Impeller
27	252-80	1	Washer-Thrust
28	3257-23	1	Key-Woodruff

Ref	Part No.	Qty.	Description
29	26-6110	1	Flange-Cup, Bearing
30	63-3450	1	Bearing-Ball
31	26-6120	1	Flange-Cup, Bearing
32	107-3822	1	26In Auger Housing ASM
32:2	107-3040	1	Decal-Danger, Auger
33	32144-70	4	Screw-HH
34	106-4588-01	2	Skid
35	52-2861	4	Washer
36	105-9976-01	1	Scraper-Fixed
37	3230-16	4	Screw-CARR
39	321-44	2	Screw-HHF
40	106-7299-03	1	26 Inch LH Auger ASM
41	106-4570	2	Auger-Bearing
42	3-0750	2	Washer
43	323-4	2	Screw-HH
46	32144-14	6	Screw-HWH
47	108-0039-03	1	Seal

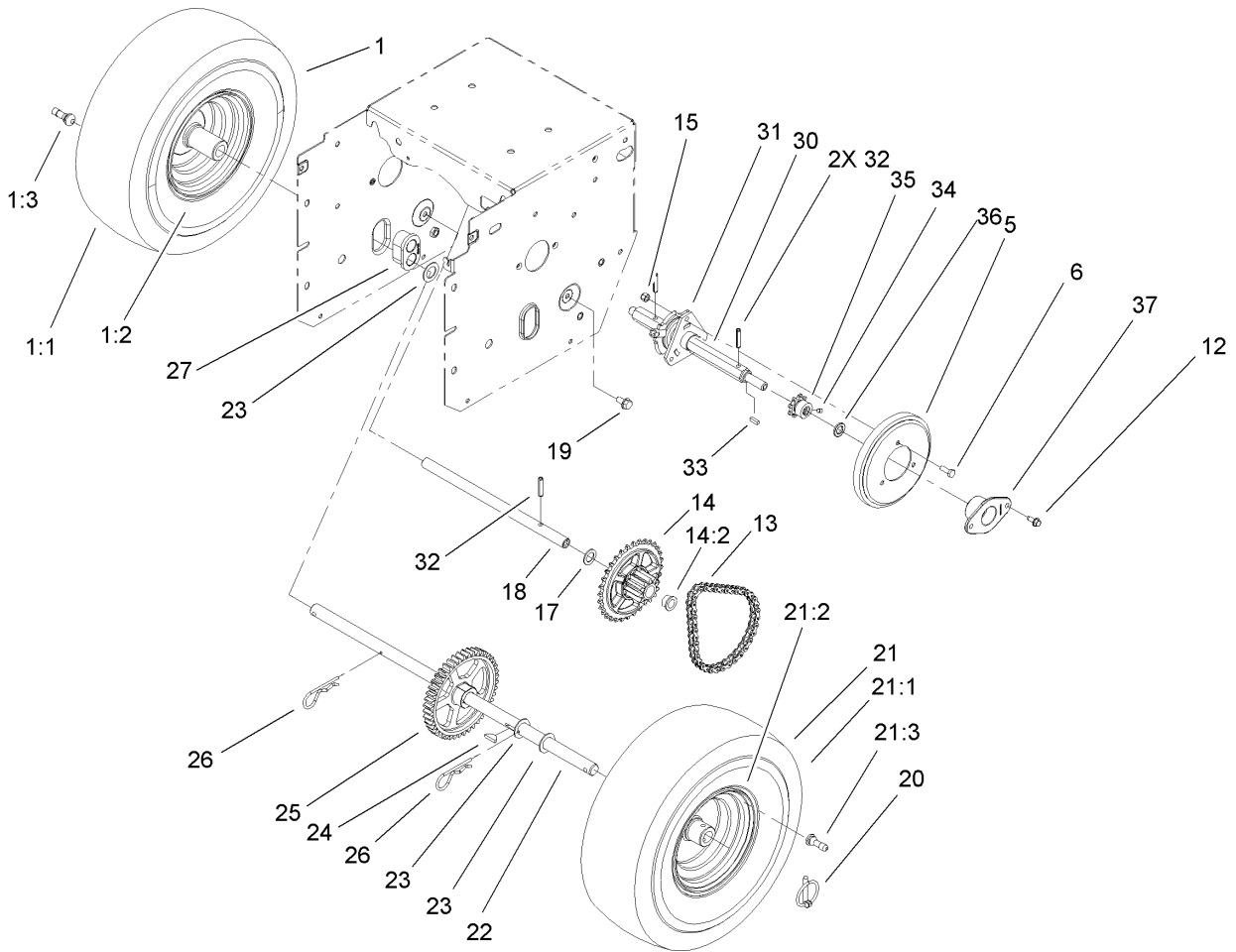




## Chute Assembly

Ref	Part No.	Qty.	Description
1	106-7309	1	Deflector-Chute
2	106-4594	1	Spring-Torsion
3	46-8092	5	Screw-Plastite
4	106-4472	1	Gear-Chute
5	46-6810	3	Screw And Washer ASM
6	100-9880	1	Bolt-Shoulder
7	106-4585	1	Cover-Gear, Chute
9	106-7296	1	Bracket-Cable, Clamp
10	106-7297	1	Clamp-Cable
11	106-4471	1	Gear-Face
12	107-1021	1	Rod-Deflector
14	98-1375	2	Screw-HWH
15	106-7266	1	Bracket-Deflector
16	106-4582-03	1	Bracket-Support, Chute
17	106-4422	1	Spacer-Chute
18	3256-2	3	Washer-Flat
19	3296-47	2	Nut-Lock, NI
20	106-7276	3	Screw-Shoulder
21	106-7257	1	Mount-Gear, Face
22	63-2650	1	Screw-Shoulder
23	106-4476	1	Latch-Chute
24	106-7253-03	1	Tube-Support
25	3256-22	3	Washer-Flat
26	3296-42	3	Nut-Lock, NI

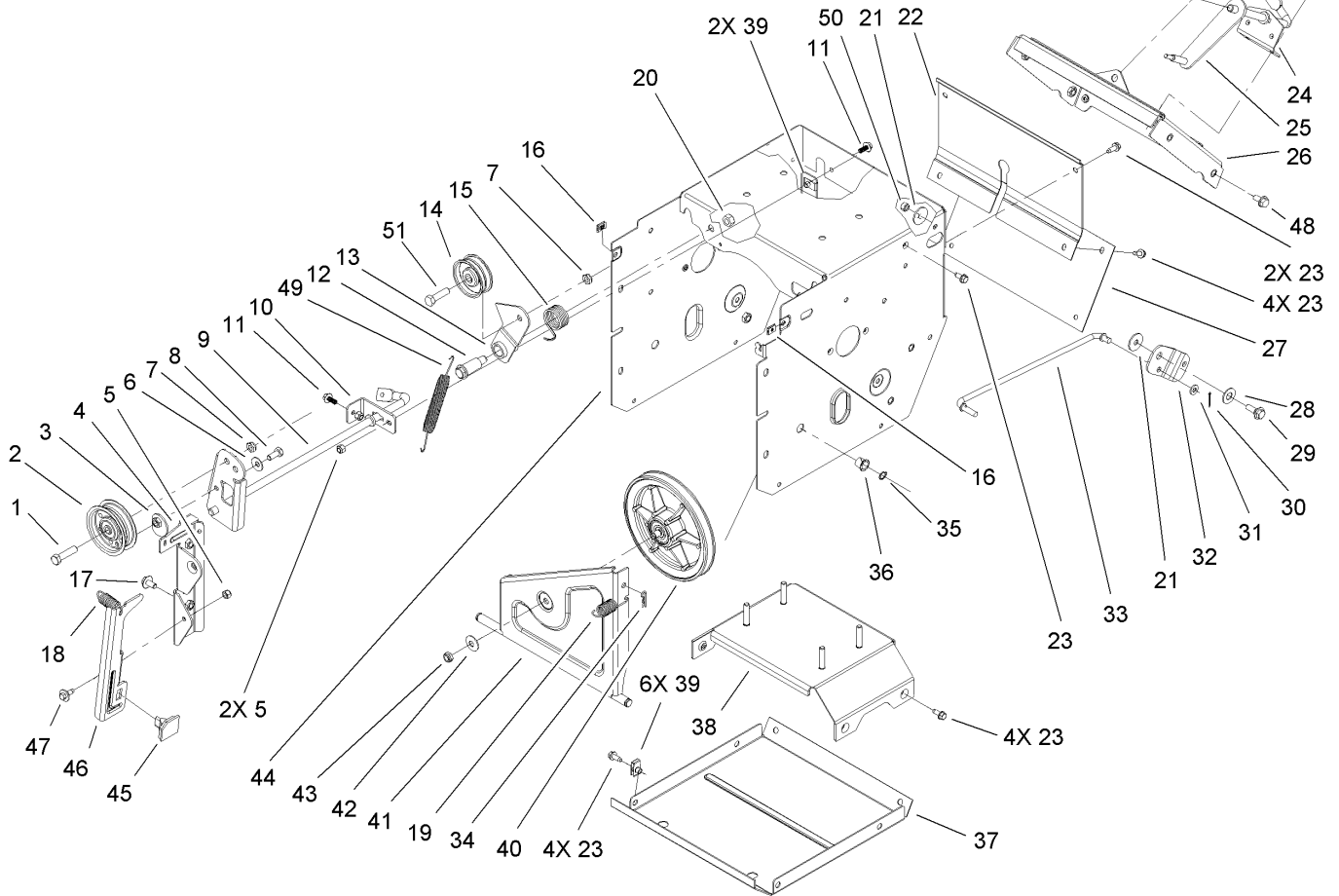
Ref	Part No.	Qty.	Description
27	3296-29	2	Nut-Lock, NI
28	106-7260	1	Washer-Curved
29	3230-5	1	Screw-CARR
30	3230-23	1	Screw-CARR
31	46-8091	3	Screw-HWH
32	105-9991	1	Ring-Chute
33	106-4440	1	Chute-Discharge
35	108-7315	1	Spring-Torsion
36	108-5052	1	Seal-Chute
37	3290-456	1	Washer-Belleville
38	32144-10	1	Screw-HWH



### Chain Drive Assembly

Ref	Part No.	Qty.	Description
②1		1	RH Wheel And Tire ASM
1:1	107-3042	1	Tire
1:2	107-3043	1	Rim-Tire
1:3	232-27	1	Stem-Valve
5	106-4480	1	Wheel-Friction
6	321-4	3	Screw-HH
12	32144-10	4	Screw-HWH
13	108-0016	1	Chain-Roller
13	2710-6	1	Link-Connecting
14	108-0013	1	Sprocket ASM
14:2	108-2974	2	Bushing-Flange
15	3296-42	3	Nut-Lock, NI
17	107-3041	1	Washer-Flat
18	106-4592	1	Shaft-Intermediate
19	32144-14	2	Screw-HWH
20	107-3039	2	Klik Pin ASM
②21		1	LH Wheel And Tire ASM
21:1	107-3042	1	Tire
21:2	107-3043	1	Rim-Tire
21:3	232-27	1	Stem-Valve
22	106-4449	1	Shaft-Axle
23	3-8664	3	Washer-Thrust
24	3257-7	1	Key-Woodruff
25	106-4572	1	Gear-Axle, 44 Tooth

Ref	Part No.	Qty.	Description
26	3290-343	2	Pin-Hair
27	106-4558	2	Bearing-Axle
30	108-5054	1	Shaft-Hex
31	106-4434	1	Trunion-Hex
32	32121-9	3	Pin-Roll, Slotted
33	94-8850	1	Key-Square
34	3245-32	2	Screw-HSH
35	106-7317	1	Sprocket-8 Tooth
36	108-5059	1	Spacer-Bushing
37	108-7319	2	Retainer-Bearing

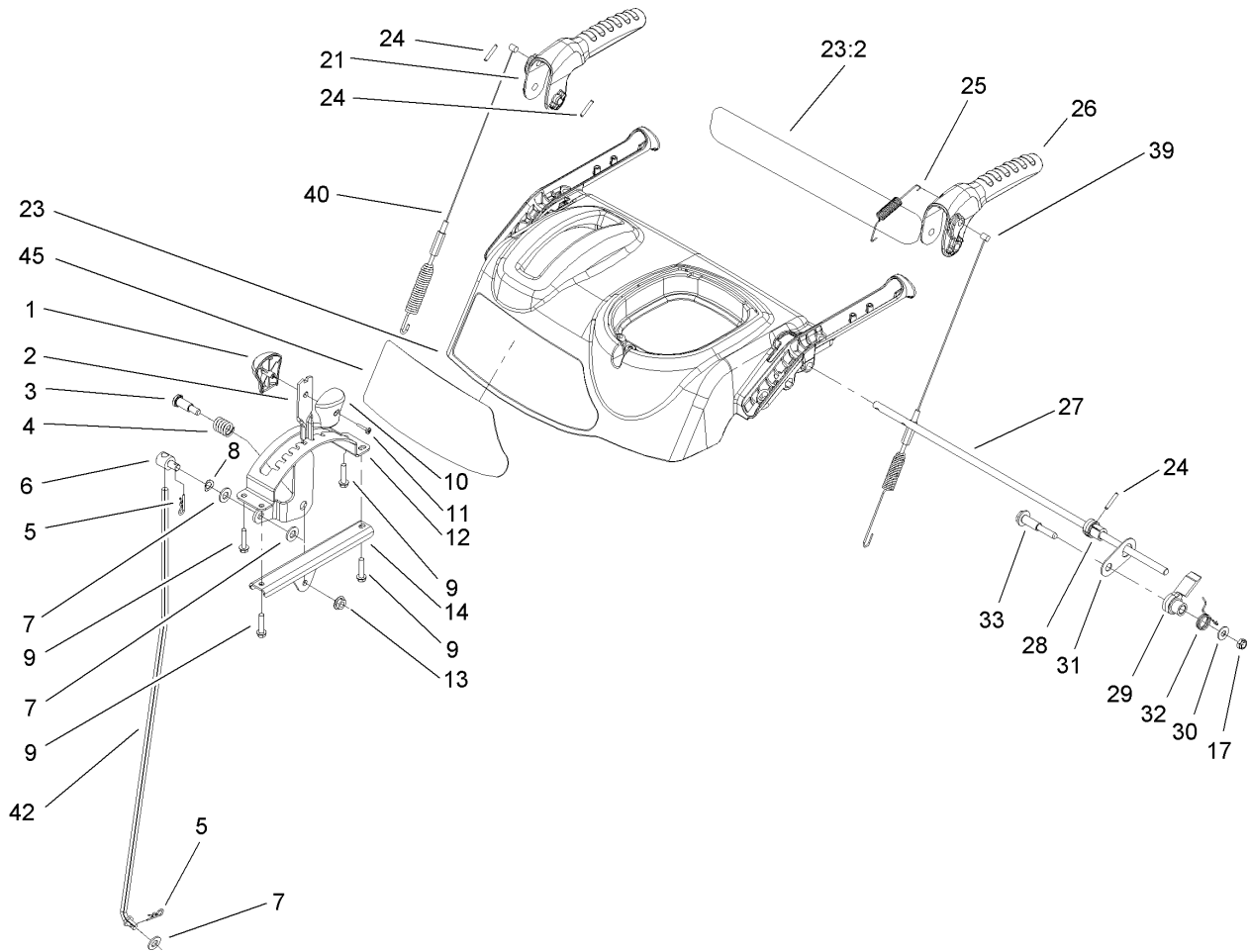


## Frame Assembly

Ref	Part No.	Qty.	Description
1	323-8	1	Screw-HH
2	92-7104	1	Pulley-Idler
3	107-1047	1	Nut
4	107-1039	1	Bracket-Idler, Impeller
5	3296-42	3	Nut-Lock, NI
6	3290-456	1	Washer-Belleville
7	3296-59	2	Nut-Lock, NI
8	322-3	1	Screw-HH
9	107-3838-03	1	Impeller Clutch ASM
10	106-7341	1	Bracket-Rear, Clutch
11	99-6810	2	Screw-HH
12	108-5056	1	Bolt-Shoulder
13	108-5058	1	Arm-Idler, Traction
14	3-4244	1	Pulley-Idler
15	108-7332	1	Spring-Torsion
16	107-1013	2	Nut-Speed, U-Type
17	3234-7	2	Screw-HHF
18	107-1045	1	Spring-Extension
19	107-1003	1	Spring-Extension
20	3296-76	1	Nut-Lock, NI
21	5-4460	2	Washer-Pivot
22	106-4556-01	1	Cover-Upper
23	32144-10	17	Screw-HWH
24	108-0036	1	Bracket-Rod, Shift

Ref	Part No.	Qty.	Description
25	106-7268	1	Lever-Control, Traction
26	108-0026-01	1	Shift Plate ASM
27	106-7345-01	1	Cover-Lower
28	25-5640	1	Washer
29	27-0410	1	Screw-Shoulder
30	3272-4	1	Pin-Cotter
31	3256-23	1	Washer-Flat
32	107-1011	1	Bellcrank-Drive
33	106-4467	1	Link-Control, Speed
34	3290-307	1	Pin-Hair
35	32151-61	2	Ring-Retaining
36	256-257	2	Bushing-Nyliner
37	106-7330-01	1	Pan-Bottom
38	106-7315	1	Brace Frame ASM
39	107069	8	Clip
40	108-0031	1	Traction Pulley ASM
41	108-7307	1	Friction Wheel Bracket ASM
42	3290-340	1	Washer-Belleville
43	3296-5	1	Nut-Lock
44	108-0019-01	1	Traction Frame ASM
45	66-8060	1	Pad-Brake
46	107-1000	1	Arm-Brake
47	92-9698	1	Screw-Shoulder
48	32144-14	4	Screw-HWH



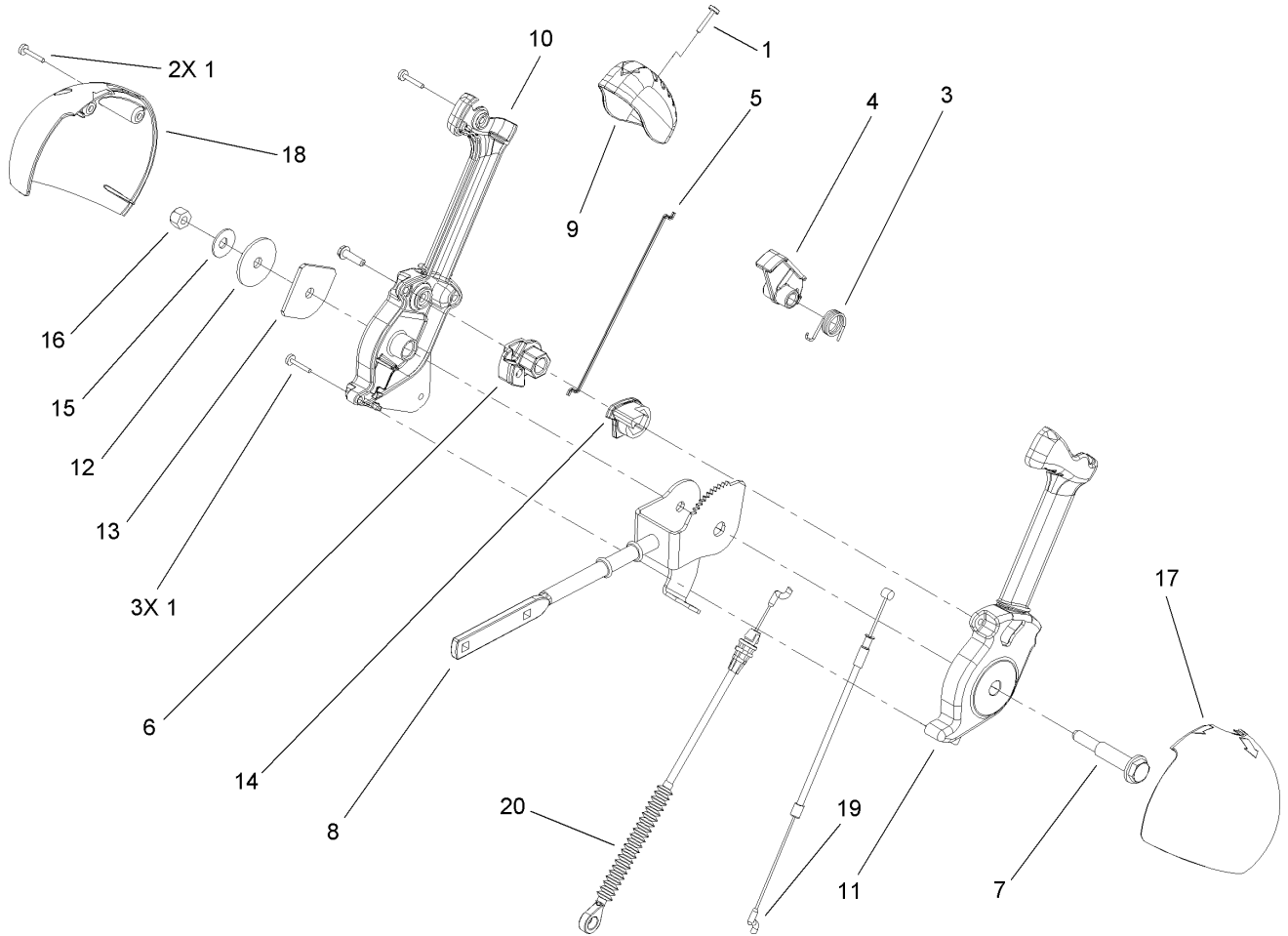


## Control Panel Assembly

Ref	Part No.	Qty.	Description
1	106-4423	1	Knob-Shift, RH
2	106-7278-03	1	Selector-Speed
3	63-2650	1	Screw-Shoulder
4	108-7313	1	Spring-Compression
5	3290-307	2	Pin-Hair
6	101161	1	Trunnion
7	3256-24	3	Washer-Flat
8	612586	1	Washer-Spring
9	46-8092	4	Screw-Plastite
10	105-9999	1	Knob-Shift, LH
11	94-4496	1	Screw-PPH
12	106-7277-03	1	Guide-Selector, Speed
13	32128-13	1	Nut-HF
14	106-7279-03	1	Mount-Selector, Speed
17	3296-72	1	Nut-Lock, NI
21	106-4413	1	Lever-Auger
23	107-3826	1	Control Panel ASM
23:2	106-4523	1	Decal-Panel, Back Control
24	32121-125	3	Pin-Spring
25	107-3001	1	Spring-Tension
26	106-4410	1	Lever-Traction
27	105-9996	1	Rod-Lockout
28	107-1043	1	Cam-Lockout
29	108-0023	1	Latch-Lockout

Ref	Part No.	Qty.	Description
30	98-3499	1	Washer-Flat
31	107-3000	1	Link-Lockout
32	108-0024	1	Spring-Torsion
33	106-4412	1	Screw-Shoulder
39	106-4563	1	Cable-Traction
40	106-4599	1	Cable-Auger
42	107-1005	1	Rod-Shift
45	110-3443	1	Decal

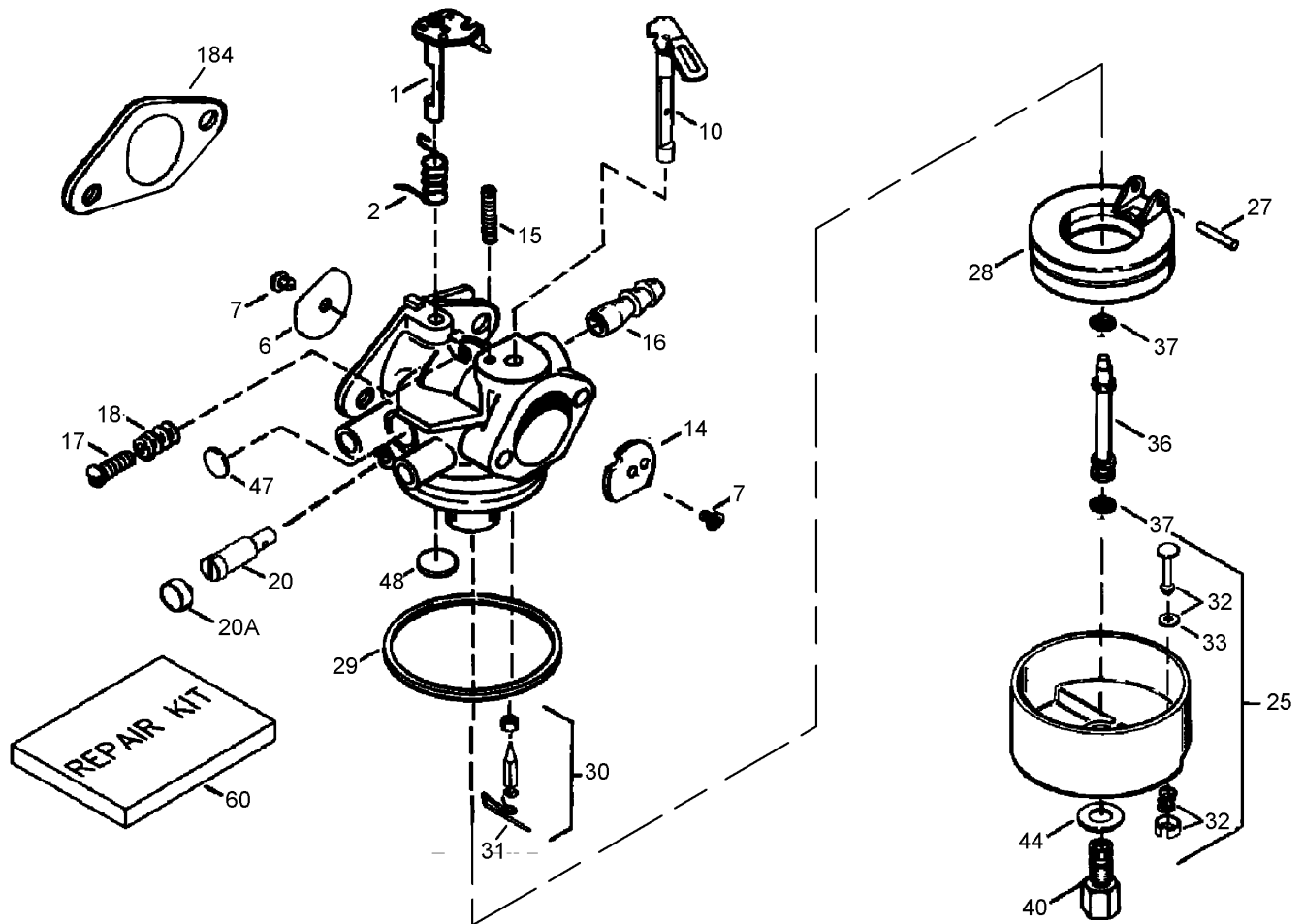




### Lever Chute Control Assembly

Ref	Part No.	Qty.	Description
1	94-4496	6	Screw-PPH
3	105-9982	1	Spring-Torsion
4	105-9984	1	Trigger-Latch
5	105-9985	1	Link-Latch
6	105-9988	1	Lever-Cable, Deflector
7	105-9995	1	Screw-Shoulder
8	106-4479	1	Rod-Control, Chute
9	106-7280	1	Cap-Lever
10	106-7281	1	Lever-Chute Control, RH
11	106-7282	1	Lever-Chute Control, LH
12	107-3002	1	Washer-Nylon
13	106-7295	1	Plate-Friction
14	106-7310	1	Pawl-Latch
15	3290-456	1	Washer-Belleville
16	3296-29	1	Nut-Lock, NI
17	105-9986	1	Cover-Chute Lever, LH
18	106-7292	1	Cover-Chute Lever, RH
19	105-9989	1	Cable-Chute Release
20	105-9990	1	Cable-Control, Deflector





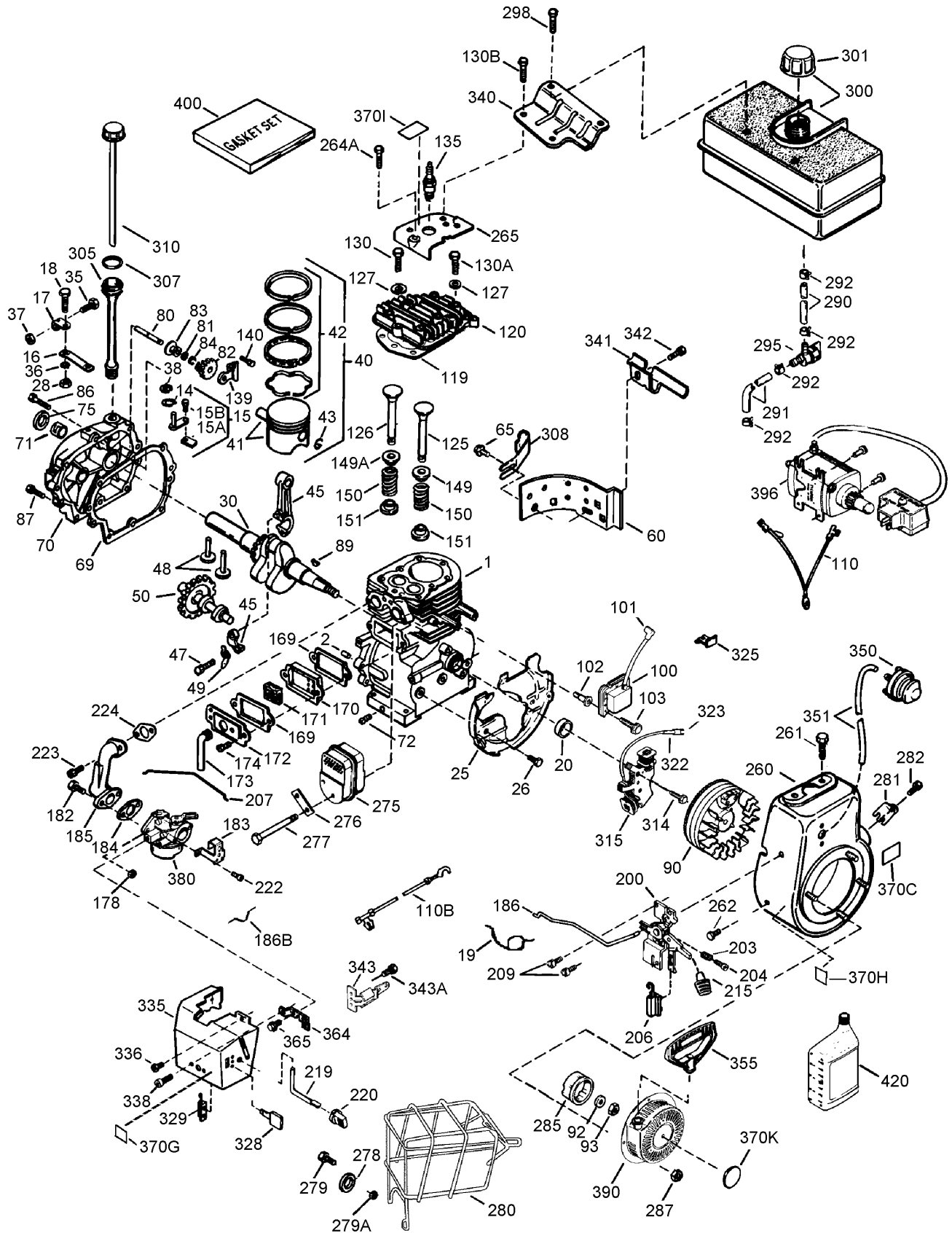
## Carburetor Assembly No. 640349 Tecumseh LH318SA-156590H

Ref	Part No.	Qty.	Description
❶	631776A	1	Throttle Shaft And Lever ASM
❷	631970	1	Spring-Return, Throttle
❸	640109	1	Shutter-Throttle
❹	650506	2	Screw-Shutter
❺	632112	1	Choke Shaft And Lever ASM
❻	632174	1	Shutter-Choke
❼	630735	1	Spring-Positioning, Choke
❽	632164	1	Fitting-Fuel
❾	651025	1	Screw-Throttle Crack And Idle Speed
❿	630766	1	Spring-Tension
⓫	640027	1	Screw-Restrictor, Idle
⓬	640200	1	Cap-Screw, Idle Restrictor
⓭	631951	1	Float Bowl ASM (Includes 32, 33)
⓮	631024	1	Shaft-Float
⓯	632802	1	Float
⓰	631028	1	O Ring-Bowl, Float
⓱	631021A	1	Inlet Needle, Seat, And Clip ASM (Includes 31)
⓲	631022	1	Clip-Spring
⓳	27136A	1	Bowl Drain ASM
⓴	27554	1	Gasket-Plunger, Drain
⓵	640113	1	Tube-Nozzle
⓶	632547	2	O Ring-Nozzle Tube, Main

Ref	Part No.	Qty.	Description
⓷	640128	1	Nut-Bowl, High Speed
⓸	27110	1	Washer
⓹	630748	1	Plug-Welch, Idle Mixture Well
⓺	631027	1	Plug-Welch, Atmospheric Vent
⓻	632760B	1	Repair Kit (Includes 7, 27, 29, 30, 33, 37, 44, 47, 48)
⓼	33263	1	Gasket (Carburetor To Intake Pipe)

# Engine Assembly

## Tecumseh LH318SA-156590H

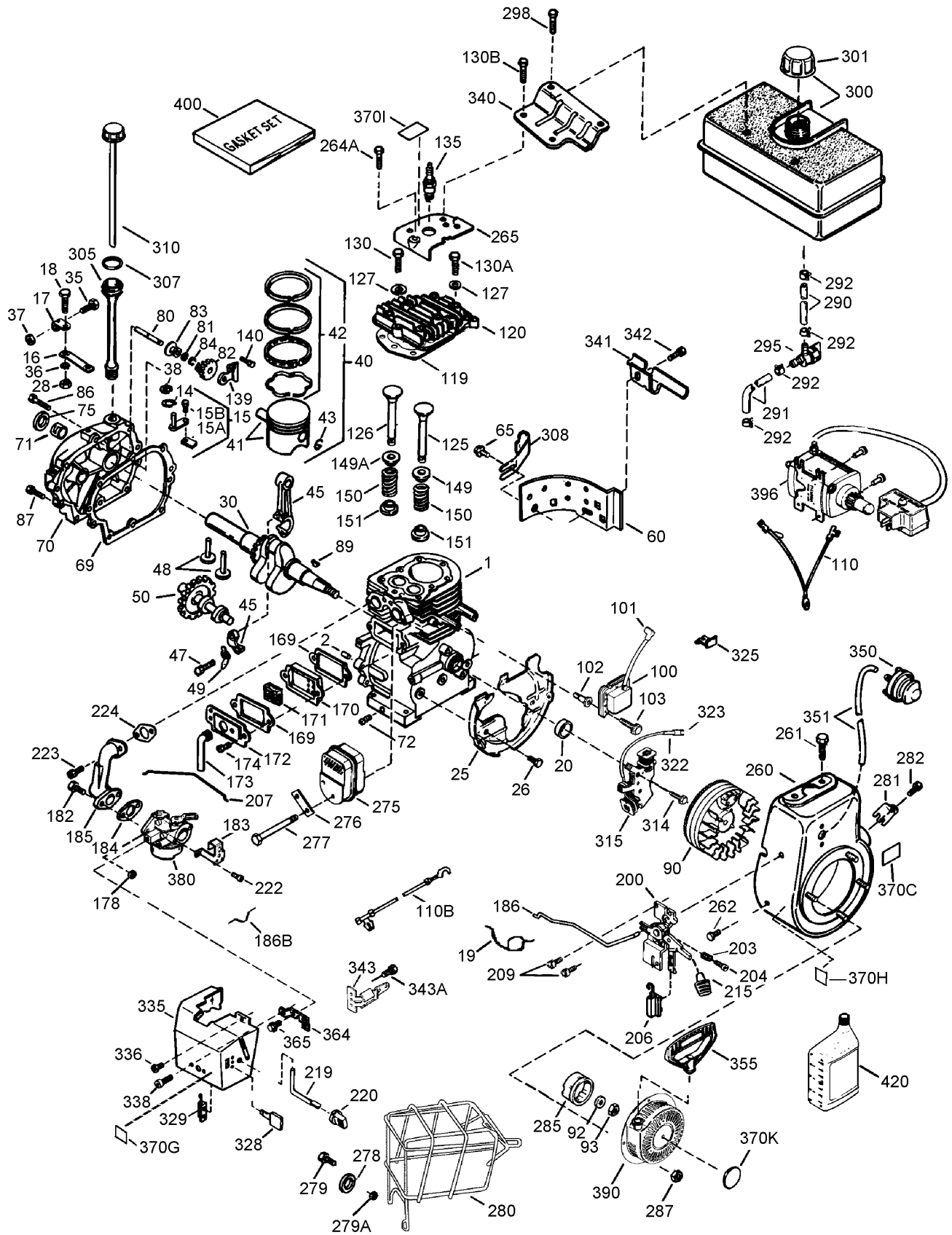


# Engine Assembly

## Tecumseh LH318SA-156590H

Ref	Part No.	Qty.	Description	Ref	Part No.	Qty.	Description
1 5	756320D	1	Shortblock	90	611093	1	Flywheel ASM
1	35385	1	Cylinder ASM (Includes 2, 20, 72)	92	650880	1	Washer-Lock
2	27652	2	Pin-Dowel	93	650881	1	Nut-Flywheel
14	28277	1	Washer	100	35135A	1	Ignition-State, Solid (Includes 101)
15	30699C	1	Rod-Governor (Includes 15A, 15B)	101	610118	1	Cover-Plug, Spark
15A	30700	1	Yoke-Governor	102	651024	2	Stud-Mounting, Solid State
15B	650494	1	Screw (6-40 X 5/16In)	103	651007	2	Screw
16	33454A	1	Lever-Governor	110	35187	1	Wire-Ground
17	29916	1	Clamp-Lever, Governor	110B	37047	1	Wire-Ground
18	651028	1	Screw-Torx (T-15, 8-32 X 3/8In)	119	36448	1	Gasket-Head, Cylinder
19	34663	1	Spring-Control, Speed	120	36449	1	Head-Cylinder
20	35319	1	Seal-Oil	125	27878A	1	Valve-Exhaust (STD) (Includes 151)
25	37853	1	Baffle-Housing, Blower	125	27880A	1	Valve-Exhaust (1/32In Os) (Includes 151)
26	650561	2	Screw (1/4-20 X 5/8In)	126	34035	1	Valve-Intake (STD) (Includes 151)
28	30322	1	Nut-Lock (8-32)	127	650691	2	Washer
30	35571A	1	Shaft-Crank	130	6021A	7	Screw (5/16-18 X 1-7/16In)
35	29826	1	Screw (10-32 X 3/4In)	130A	650727	2	Screw (5/16-18 X 1-25/32In)
36	29918	1	Washer-Lock	130B	651055	2	Screw (5/16-18 X 39/64In)
37	29216	1	Nut-Lock (10-32)	135	35395	1	Spark Plug-Resistor
38	29642	1	Ring-Retaining	139	33369	1	Bracket-Gear, Governor
40	40011	1	Piston, Pin And Ring Set ASM (STD)	140	650836	2	Screw (10-24 X 1/2In)
40	40012	1	Piston, Pin And Ring Set ASM (.010In Os)	149	27882	1	Cap-Spring, Valve
41	40009	1	Piston And Pin ASM (STD) (Includes 43)	149A	35862	1	Cap-Spring, Valve
41	40010	1	Piston And Pin ASM (.010In Os) (Includes 43)	150	27881	2	Spring-Valve
42	40013	1	Ring Set (STD)	151	32581	2	Keeper-Spring, Valve
42	40014	1	Ring Set (.010In Os)	169	27896A	2	Gasket-Cover, Valve
43	27888	2	Ring-Retaining, Piston Pin	170	28423	1	Body-Breather
45	36897	1	Connecting Rod ASM (Includes 47, 49)	171	28424	1	Element-Breather
47	651033	2	Bolt-Rod, Connecting	172	28425	1	Cover-Valve
48	34034	2	Lifter-Valve	173	35350	1	Tube-Breather
49	36896	1	Dipper-Oil	174	650128	2	Screw (10-24 X 1/2In)
50	35375	1	Camshaft (Mcr)	178	29752	2	Nut And Lock Washer ASM
60	33273A	1	Extension-Housing, Blower	182	30088A	2	Screw (1/4-28 X 1In)
65	650128	1	Screw (10-24 X 1/2In)	183	34587A	1	Bracket-Choke
69	37342	1	Gasket-Cover, Cylinder	184	33263	1	Gasket (Carburetor To Intake Pipe)
70	37847	1	Cover-Cylinder (Includes 71, 75, 80 - 84)	185	33877	1	Pipe-Intake
71	35377	1	Bushing-Crankshaft	186	34667	1	Link-Governor
72	27642	1	Plug-Drain, Oil	186B	36652	1	Spring-Choke
75	35319	1	Seal-Oil	200	34677	1	Bracket-Control (Includes 19, 203, 204, 206)
80	37587	1	Shaft-Governor	203	31342	1	Spring-Compression
81	651080	1	Washer	204	651029	1	Screw (5-40 X 7/16In)
82	37588	1	Governor Gear ASM (Includes 81)	206	610973	1	Terminal
83	30588A	1	Spool-Governor	207	33878	1	Link-Throttle
84	29193	1	Ring-Retaining	209	650821	2	Screw (10-32 X 1/2In)
86	650833	7	Screw (1/4-20 X 1-3/16In)	215	35440	1	Knob-Control
87	650832	1	Screw (1/4-20 X 1-11/16In)	219	34586	1	Rod-Choke
89	32589	1	Key-Flywheel	220	35438	1	Knob-Choke
				222	28820	2	Screw (10-32 X 1/2In)

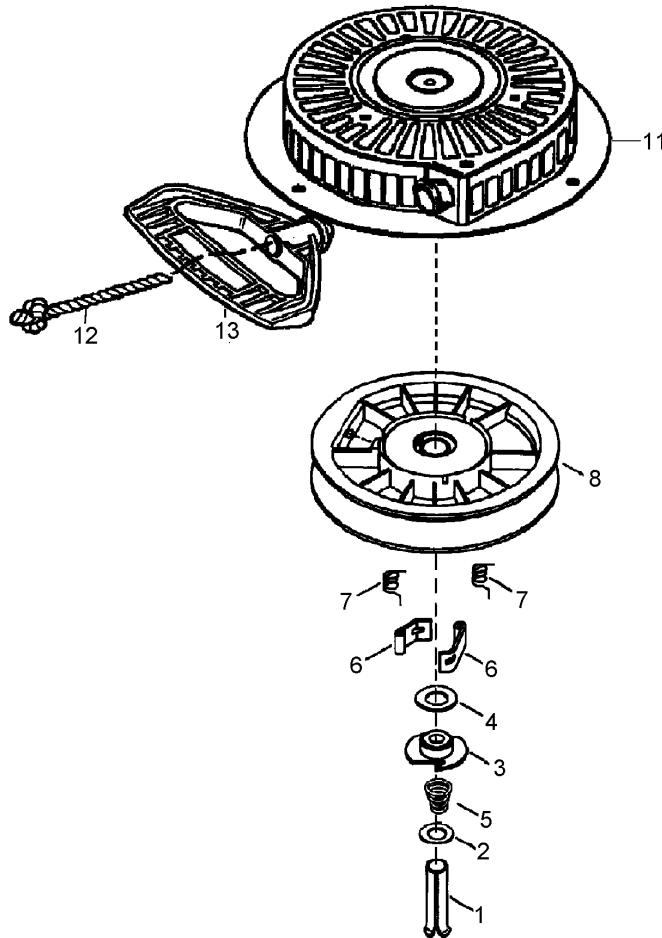
# Engine Assembly (continued) Tecumseh LH318SA-156590H



## Engine Assembly (continued)

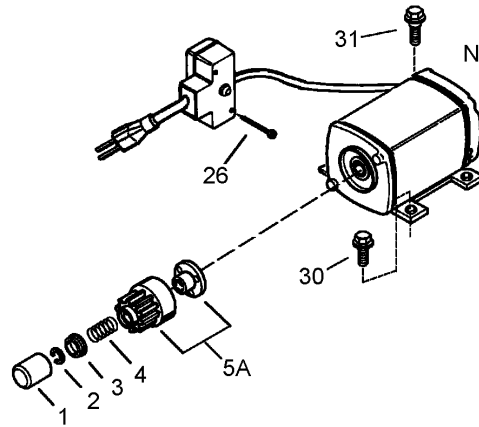
### Tecumseh LH318SA-156590H

Ref	Part No.	Qty.	Description	Ref	Part No.	Qty.	Description
③222	28820	2	Screw (10-32 X 1/2In)	③364	37659	1	Bracket-Cover, Carburetor
③223	650378	2	Screw-Torx (T-30, 5/16-18 X 1-1/8In)	③365	650767	2	Screw (8-32 X 27/64In)
③224	27915A	1	Gasket-Pipe, Intake	③370C	36501	1	Decal-Primer
③260	35447A	1	Housing-Blower	③370G	36534	1	Decal-Caution
③261	650788	2	Screw (5/16-18 X 3/4In)	③370H	35077	1	Decal-Instruction
③262	651084	2	Screw (5/16-18 X 9/16In)	③370I	37119	1	Decal-Warning
③264A	650802	1	Screw (1/4-20 X 5/8In)	③370K	36695	1	Decal-Starter
③265	33272D	1	Cover-Head, Cylinder	③380	640349	1	Carburetor ASM (Includes 184)
③275	35056	1	Muffler	③390	590749	1	Starter-Rewind (Note: This Engine Could Have Been Built With Starter 590733)
③276	31588	1	Plate-Locking	③396	33329D	1	Electric Starter Motor ASM (Optional)
③277	651002	2	Screw (5/16-18 X 4-3/16In)	③400	36450C	1	Gasket Set (Includes 69, 119, 169, 184, 224)
③278	650147	2	Washer-Flat	③420	730226A	1	Oil-Sae 5W30 (Quart)
③279	650980	2	Screw (10-16 X 47/64)				
③279A	650979	2	Washer-Lock				
③280	36294	1	Muffler Heat Shield ASM (Includes 278, 279, 279A)				
③281	33013	1	Screw-Pan Hd.				
③282	650760	1	Screw (8-32 X 3/8In)				
③285	35985C	1	Cup-Starter				
③287	29752	4	Nut And Lock Washer ASM				
③290	29774	1	Line-Fuel				
③291	30705	1	Line-Fuel				
③292	26460	4	Clamp-Line, Fuel				
③295	35857	1	Valve-Shut Off, Fuel (Includes 292)				
③298	650665	2	Screw (1/4-15 X 3/4In)				
③300	34156A	1	Tank-Fuel (Includes 292, 301)				
③301	37844	1	Fuel Cap ASM				
③305	36877	1	Tube-Fill, Oil				
③307	35499	1	O-Ring				
③308	35539	1	Clip				
③310	37869	1	Dipstick				
③314	650873	1	Screw (1/4-20 X 3/4In)				
③315	611111	1	Coil-Alternator, 18 Watt (Includes 322, 323)				
③322	611117	1	Body-Connector				
③323	611118	1	Terminal				
③325	29443	1	Clip-Wire				
③328	35062	2	Key-Ignition				
③329	610973	1	Terminal				
③335	36547	1	Cover-Carburetor				
③336	650765	1	Screw (10-32 X 1/2In)				
③338	28942	2	Screw (10-32 X 3/8In)				
③340	34154	1	Bracket-Tank, Fuel				
③341	34155	1	Bracket-Tank, Fuel				
③342	650561	1	Screw (1/4-20 X 5/8In)				
③343	35079A	1	Bracket-Switch, Key (Includes 343A)				
③343A	651060	1	Screw (10-32 X 23/64In)				
③350	570682A	1	Primer ASM				
③351	32180C	1	Line-Primer (12In)				
③355	590574	1	Handle-Grip, Mitten				



## Recoil Starter Assembly No. 590749 Tecumseh LH318SA-156590H

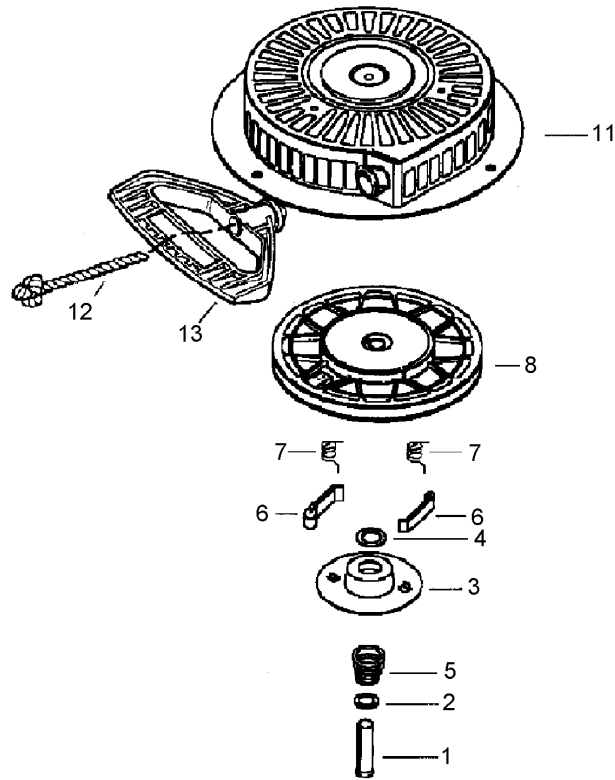
Ref	Part No.	Qty.	Description
1	590599A	1	Spring Pin ASM (Includes 4)
2	590600	1	Washer
3	590679	1	Retainer
4	590601	1	Washer
5	590678	1	Spring-Brake
6	590680	2	Dog-Starter
7	590412	2	Spring-Dog
8	590682	1	Pulley And Rewind Spring ASM
11	590750A	1	Starter Housing ASM
12	590535	1	Rope-Starter (98In X 9/64In Diameter)
13	590574	1	Handle-Grip, Mitten (Not Included With Starter)



Note: Internal parts are not serviced.  
In the event of electrical failure,  
the entire motor must be replaced.

## Electric Starter Assembly No. 37102 (Optional) Tecumseh LH318SA-156590H

Ref	Part No.	Qty.	Description
●1	33451	1	Cover-Dust
●2	33842	1	Ring-Retainer
●3	33430	1	Retainer-Spring
●4	33431	1	Spring-Anti Drift
●5A	37050	1	Gear And Nut (Includes 2)
●26	650819	2	Screw (6-32 X 2-1/2In)
●26	651032	2	Screw (12-16 X 5/8In)
●30	30063	2	Screw (Torx T-30, 1/4-20 X 1/2In)
●31	650820	2	Screw (1/4-20 X 1/2In)



## Recoil Starter Assembly No. 590733 (Optional) Tecumseh LH318SA-156590H

Ref	Part No.	Qty.	Description				
1	590599A	1	Spring Pin ASM (Includes 4)				
2	590600	1	Washer				
3	590696	1	Retainer				
4	590601	1	Washer				
5	590697	1	Spring-Brake				
6	590698	2	Dog-Starter				
7	590699	2	Spring-Dog				
8	590709	1	Pulley And Rewind Spring ASM				
11	590734A	1	Starter Housing ASM				
12	590535	1	Rope-Starter (98In X 9/64In Diameter)				
13	590574	1	Handle-Grip, Mitten (Not Included With Starter)				

# Attachments and Accessories

## For 38595 - Power Max 6000 Snowthrower

<b>Product Name</b>	<b>Model/Part</b>
Tire Chain Kit .....	107-3813
Snow Cab .....	107-3814
Weight Kit .....	107-3815
26in Drift Breaker .....	107-3816

# NOTES

# NOTES

