



Commercial Walk-Behind Mower Fixed Deck, T-Bar, Gear Drive with 48in TURBO FORCE[®] Cutting Unit

Model No. 30698 - 260000001 and up.

Parts Catalog

Ordering Replacement Parts

To order replacement parts, please supply the part number, the quantity, and the description of each part desired.

Understanding Reference Numbers

Each Identified part in an illustration has a reference number. The reference number for a part also appears in the parts list, along with other information about the part.

This catalog uses two special reference number formats, one to indicate parts in a service assembly and another to indicate the quantity of a given part in an illustration.

Service Assembly Reference Numbers

Parts in service assemblies have reference numbers in the form a:b. The a represents the reference number of the entire service assembly and the b represents a sequential number unique to each part within the service assembly.

For example, a wheel assembly might be identified by reference number 6, the tire by 6:1, the valve by 6:2, and the wheel by 6:3. When you order the assembly identified by reference number 6, you receive all parts identified by reference numbers 6:1, 6:2, and 6:3. However, you may also order any part individually. Reference numbers of this type appear in illustrations and in part lists.

Reference Numbers Indicating Quantity

In an illustration, if a reference number indicates more than one part, the reference number has the form nX y. The n represents the quantity of the part, the X is the multiplication symbol, and the y represents the reference number.

For example, in an illustration, the reference number 2X 37 means that two of the parts identified by reference number 37 are indicated.

Contents

Description	Page	Description	Page
Engine and Fuel Tank Assembly 3	Lubrication Equipment Assembly Kawasaki Model FH430V-AS25 17
Transmission Drive Assembly 4	Cooling Equipment Assembly Kawasaki Model FH430V-AS25 18
Drive Wheel and Brake Assembly 6	Electric Equipment Assembly Kawasaki Model FH430V-AS25 19
Handle and Control Assembly 7	Control Equipment Assembly Kawasaki Model FH430V-AS25 20
Deck Assembly 8	Carburetor Assembly Kawasaki Model FH430V-AS25 21
Deck Decal Assembly No. 110-4909 9	Air Filter and Muffler Assembly Kawasaki Model FH430V-AS25 22
Deflector Assembly No. 110-0758 10	Fuel Tank and Fuel Valve Assembly Kawasaki Model FH430V-AS25 23
Sheave, Spindle and Blade Assembly 11	Starter Assembly Kawasaki Model FH430V-AS25 24
Idler Assembly 12	Label Assembly Kawasaki Model FH430V-AS25 25
Caster Assembly 13	Attachments and Accessories List 26
Cylinder and Crankcase Assembly Kawasaki Model FH430V-AS25 14		
Piston and Crankshaft Assembly Kawasaki Model FH430V-AS25 15		
Valve and Camshaft Assembly Kawasaki Model FH430V-AS25 16		

Part Description Abbreviations

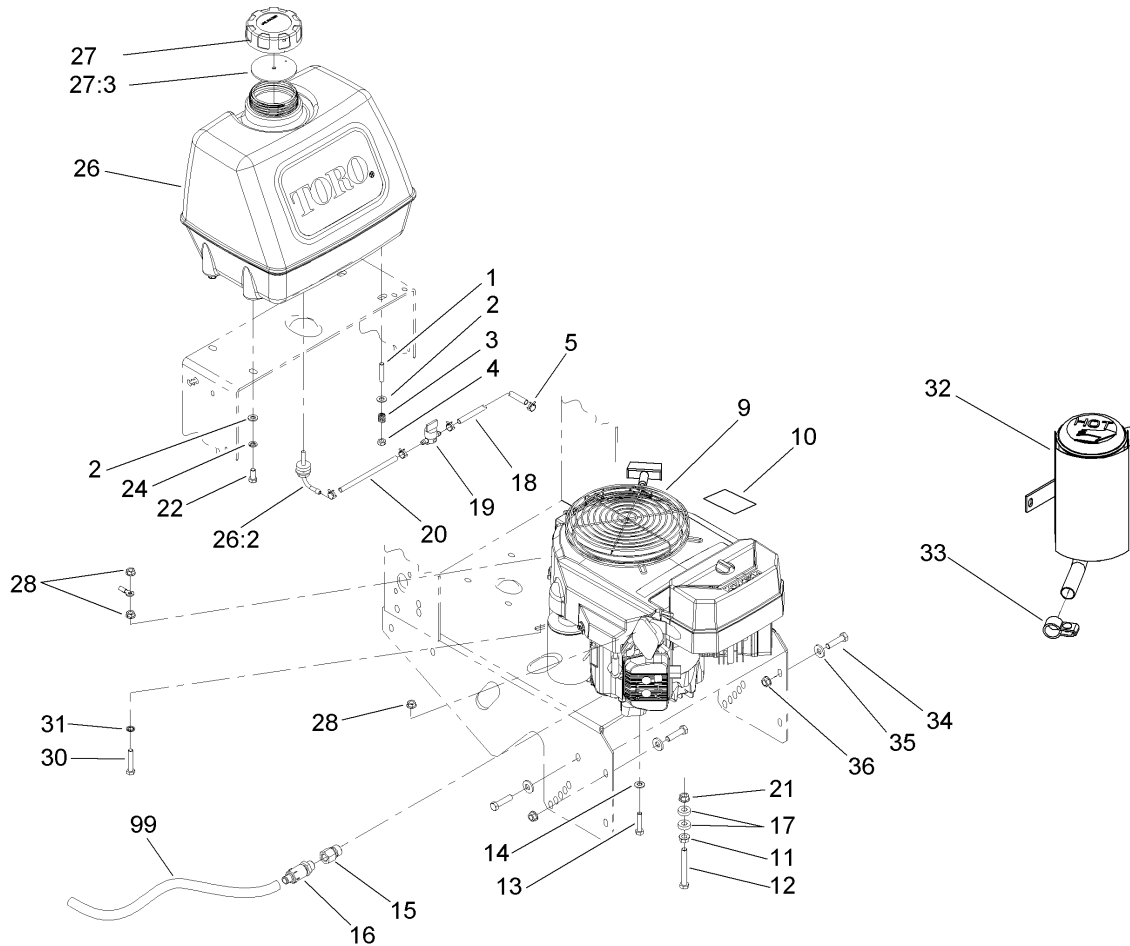
Part descriptions in this catalog may include the following abbreviations.

AR. as required	INC. incorporated
ASM. assembly	LH. left hand
BBC. blade brake clutch	NI. nylon insert
CARR. carriage	NPTF. national pipe thread fine
DEG. degrees	PFH. phillips flat head
EXT. external	PPH. phillips pan head
FH. flat head	PPHTF. phillips pan head thread forming
GA. gauge	PRH. phillips round head
HF. hex flange	PTH. phillips truss head
HH. hex head	PTO. power-take-off
HHF. hex head flange	RH. right hand
HHFTF. hex head flange thread forming	ROPS. roll-over-protection-system
HJ. hex jam	SFH. slotted fillister head
HLH. hex lag head	SHH. slotted hex head
HOC. height-of-cut	SHWH. slotted hex washer head
HSBH. hex socket button head	SPH. slotted pan head
HSFH. hex socket flat head	SQH. square head
HSH. hex socket head	SRH. slotted round head
HWH. hex washer head	STD. standard
HWHTF. hex washer head thread forming	TAP. self tapping
HYD. hydraulic	TTH. torx truss head

Footnotes

❶ Not serviced separately

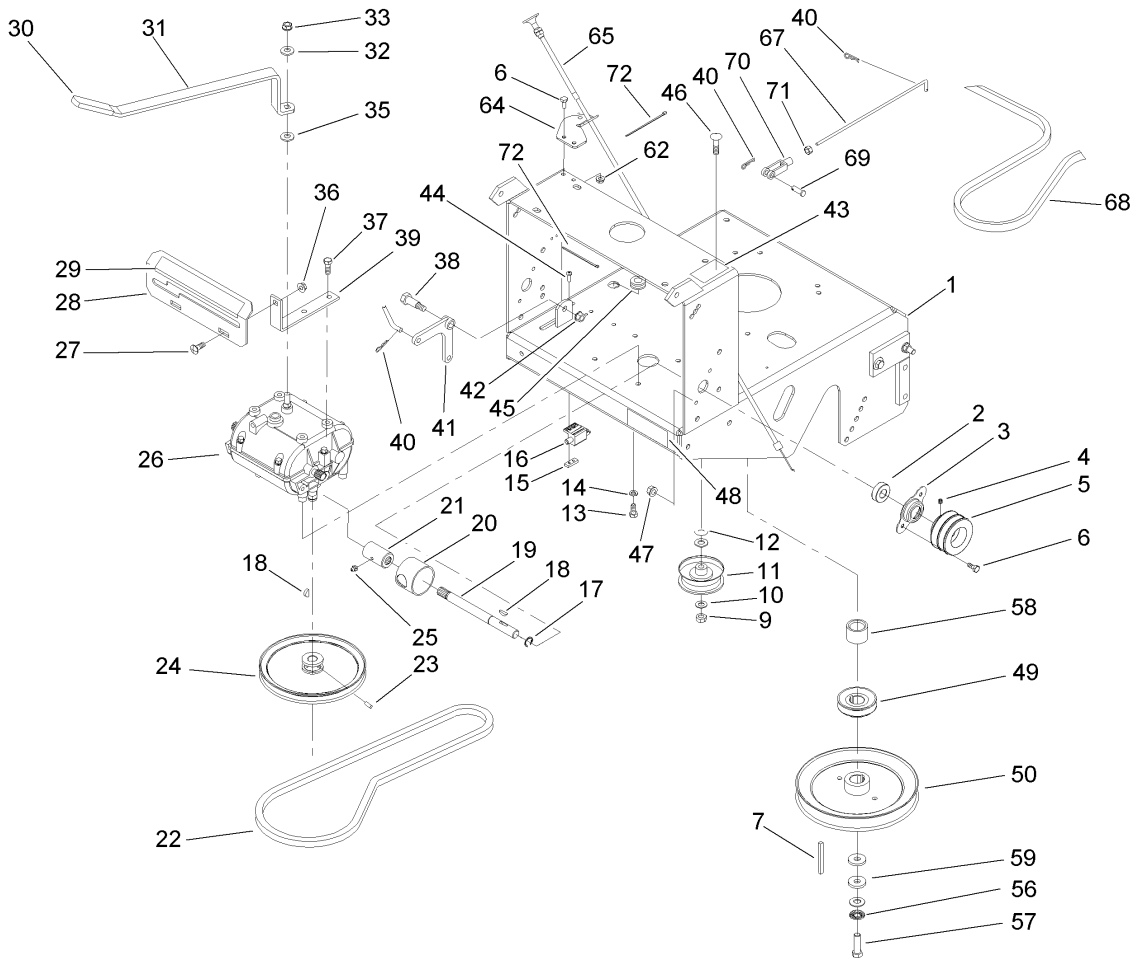
❷ Obtain from your local Kawasaki dealer



Engine and Fuel Tank Assembly

Ref	Part No.	Qty.	Description
1	1-633023	2	Stud
2	3256-23	4	Washer-Flat
3	1-633349	2	Spring-Tank, Fuel
4	3296-47	2	Nut-Lock, NI
5	1-303077	4	Clamp
1 29			1 Engine-Kawasaki, FH430V-As25
10	106-0699	1	Decal-Warning, Hot Surfaces
11	32128-21	1	Nut-HF
12	323-14	1	Screw-HH
13	322-7	3	Screw-HH
14	1-303334	3	Washer-Spring
15	103-1966	1	Adapter
16	92-6877	1	Valve-Drain, Oil
17	5-0652	2	Spacer
18	109-0293	1	Hose-Fuel
19	1-603770	1	Valve-Fuel
20	109-0306	1	Hose-Fuel
21	3296-39	1	Nut-Lock, NI
22	322-3	2	Screw-HH
24	1-805005	2	Washer-Lock
26	106-0730	1	Fuel Tank ASM
26:2	103-2605	1	Fitting-Fuel, Bulkhead
27	88-3980	1	Gas Cap ASM
27:3	88-4010	1	Gasket-Cap, Gas

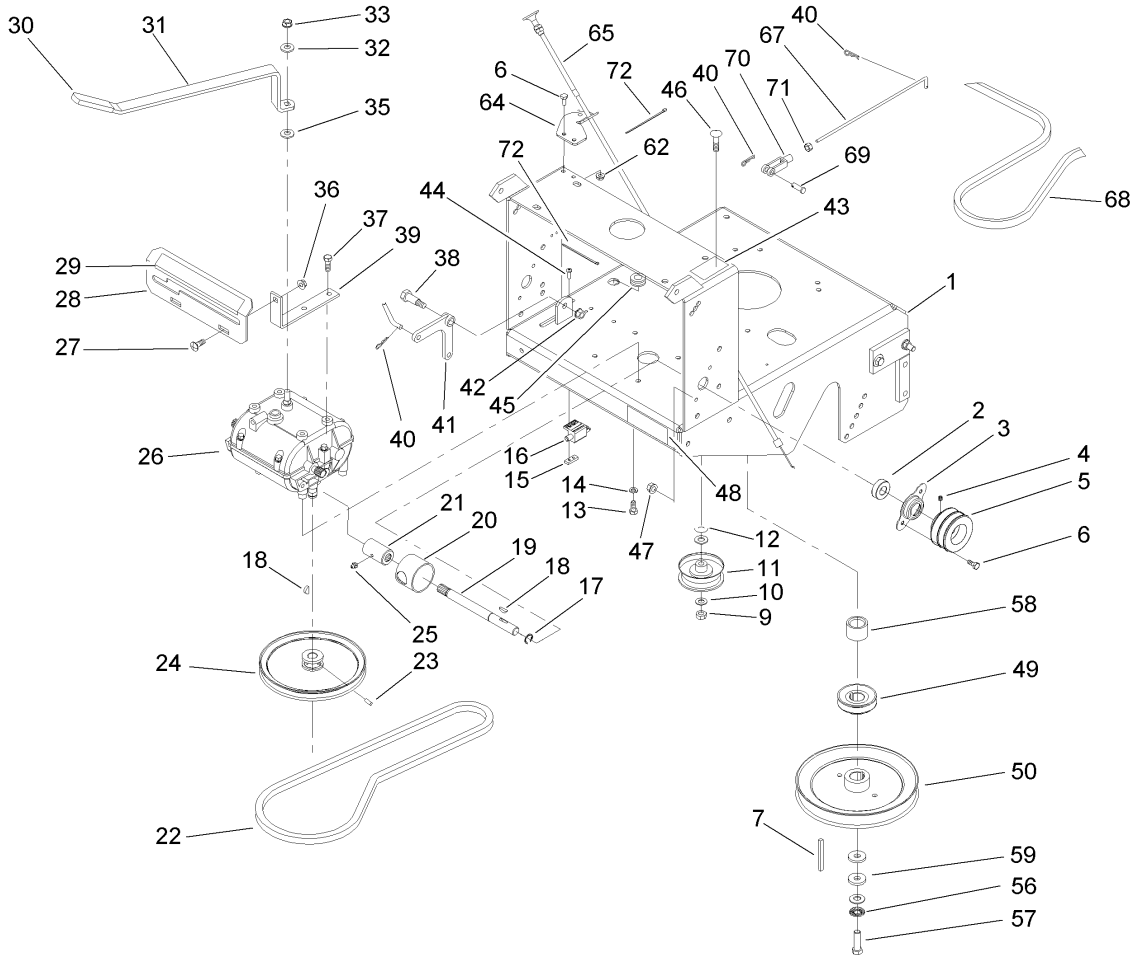
Ref	Part No.	Qty.	Description
28	32128-20	5	Nut-HF
30	322-9	1	Screw-HH
31	3254-2	1	Washer-Lock, Internal
32	100-6467	1	Muffler
33	103-5465	1	Clamp-Muffler
34	323-8	8	Screw-HH
35	98-5975	8	Washer-Belleville
36	3290-357	8	Nut-HHF, Whiz
99	103-1964	1	Hose-Drain, Oil



Transmission Drive Assembly

Ref	Part No.	Qty.	Description
1	103-9897-01	1	Deck-Engine
2	1-323252	2	Bearing-Shaft
3	1-323254	2	Flange-Output
4	1-803310	2	Screw-Set
5	103-6511	2	Sheave-Transmission
6	321-3	6	Screw-HH
7	103-4177	1	Key-Machine
9	3296-39	1	Nut-Lock, NI
10	3256-24	1	Washer-Flat
11	1-323285	1	Idler-Drive, Transmission
12	3256-5	2	Washer-Flat
13	322-3	4	Screw-HH
14	1-805005	4	Washer-Lock
15	1-633181	1	Plate-Tapped
16	1-513152	1	Switch-Closed, Normally
17	32151-62	2	Ring-Retaining
18	3257-5	3	Key-Woodruff
19	1-323502	2	Shaft-Transmission
20	51-4220	2	Guard-Coupler
21	1-323680	2	Coupler
22	1-323630	1	V-Belt
23	3245-41	2	Screw-HSH
24	1-323278	1	Sheave-Transmission
25	302-19	2	Fitting-Grease

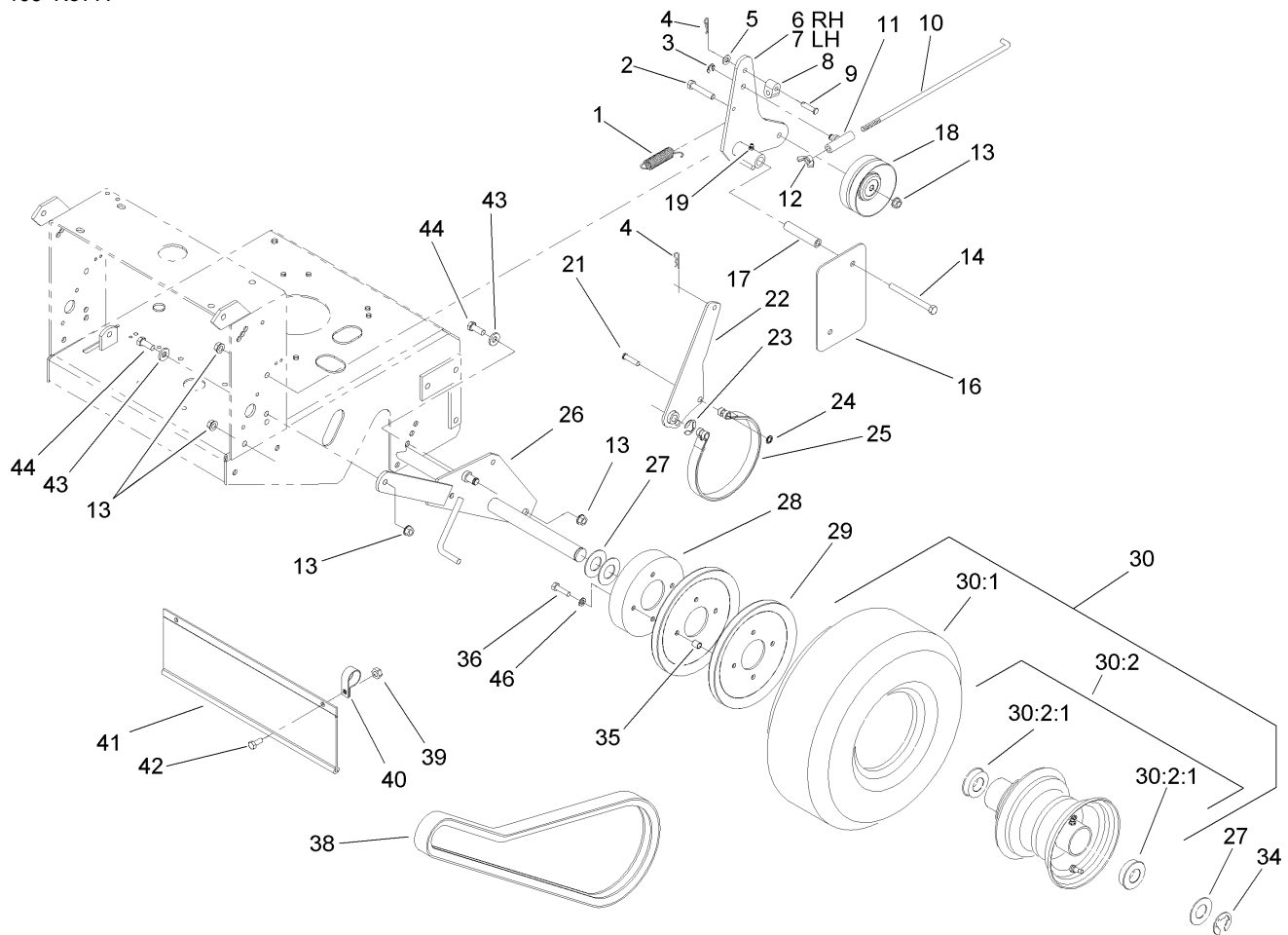
Ref	Part No.	Qty.	Description
26	1-323500	1	Transmission
27	3230-1	2	Bolt-CARR
28	1-323387-03	1	Plate-Shift
29	98-3256	1	Decal-Speed, Ground
30	1-303020	1	Grip-Lever
31	98-3274-03	1	Lever-Shift
32	98-5975	1	Washer-Belleville
33	3296-6	1	Nut-Lock
35	1-323379	1	Washer
36	32128-20	2	Nut-HF
37	9264964	4	Screw-HWH, Thread Cut
38	1-603403	1	Bolt-Shoulder
39	1-323389-03	2	Bracket-Plate, Shift
40	1-806003	3	Pin-Hair
41	1-303186	1	Bellcrank
42	3290-357	1	Nut-HHF, Whiz
43	95-2814	1	Decal-Shut Off, Fuel
44	3290-500	2	Screw-PPH
45	1-543296	1	Grommet
46	3231-6	1	Screw-CARR
47	3296-42	4	Nut-Lock, NI
48	98-0776	1	Decal-Caution
49	103-1666	1	Sheave-Transmission
50	110-4890	1	Pulley ASM



Transmission Drive Assembly (continued)

Ref	Part No.	Qty.	Description
56	1-603610	2	Washer-Spring
57	3212-6	1	Screw-HH
58	1-633453	1	Spacer-Clutch
59	1-373034	2	Washer
62	32128-33	2	Nut-HF
64	103-1797-01	1	Bracket-Cable, Choke
65	103-1796	1	Cable-Choke
67	1-323303	1	Linkage-Arm
68	110-0543	1	Belt-V
69	1-808280	1	Pin-Clevis
70	1-303105	1	Yoke-Adjustable
71	3219-2	1	Nut-Hex
72	1-303335	2	Tie-Plastic

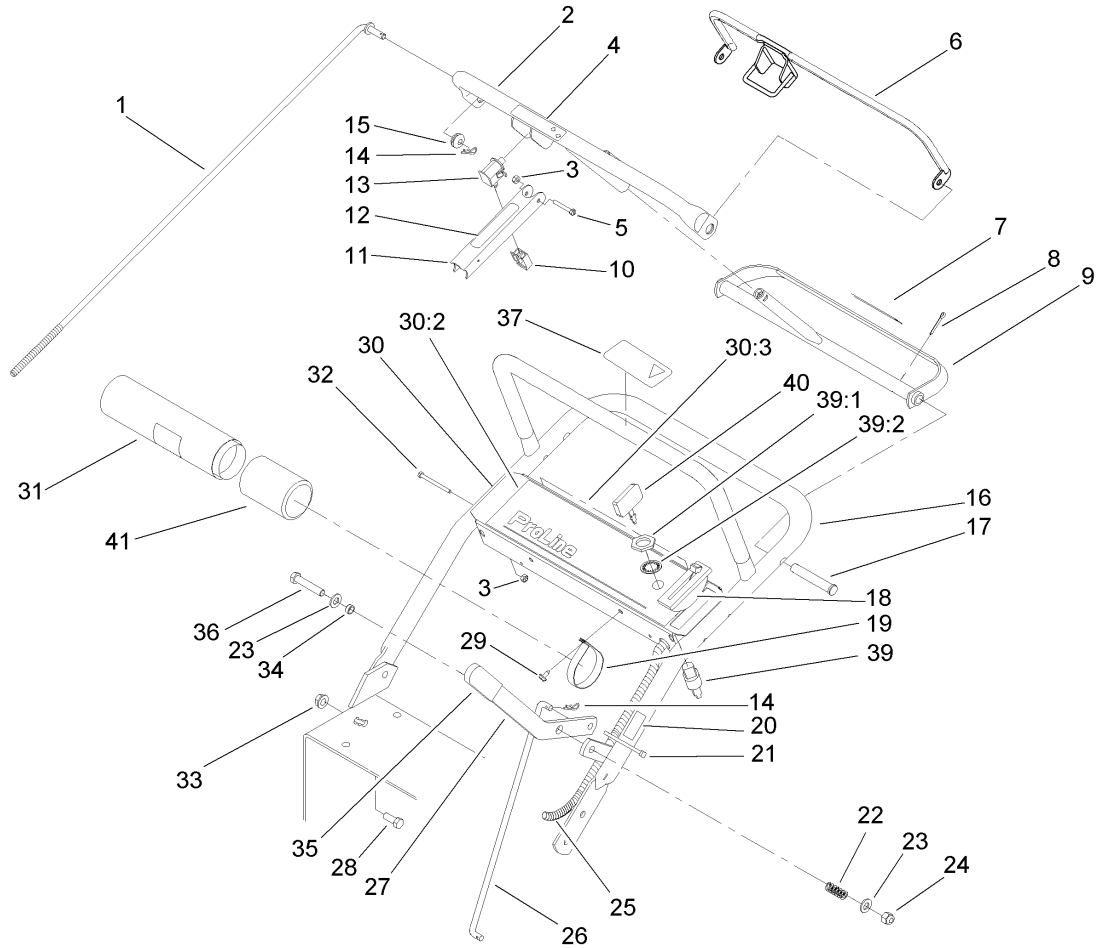
--	--	--	--



Drive Wheel and Brake Assembly

Ref	Part No.	Qty.	Description
1	98-3273	2	Spring-Extension
2	323-10	2	Screw-HH
3	32151-47	2	Ring-Retaining
4	1-806003	4	Pin-Hair
5	3256-23	2	Washer-Flat
6	104-1321-03	1	RH Idler Arm ASM
7	104-1322-03	1	LH Idler Arm ASM
8	74-0521	2	Fitting-Rod
9	283-6	2	Pin-Clevis
10	1-323296	2	Rod-Brake
11	1-322125	2	Swivel-Brake
12	1-513959	2	Wingnut-Nylock
13	3290-357	10	Nut-HHF, Whiz
14	323-16	4	Screw-HH
16	98-5131-01	2	Shield-Wheel, Drive
17	1-323694	4	Spacer-Shield
18	1-323634	2	Idler-Drive, Wheel
19	302-19	2	Fitting-Grease
21	1-323307	4	Pin-Clevis
22	1-322209-03	2	Arm-Brake
23	32120-47	2	Ring-Retaining, External
24	1-803051	4	Nut-Push
25	1-323595	2	Band-Brake
26	1-322212-03	1	Axle ASM

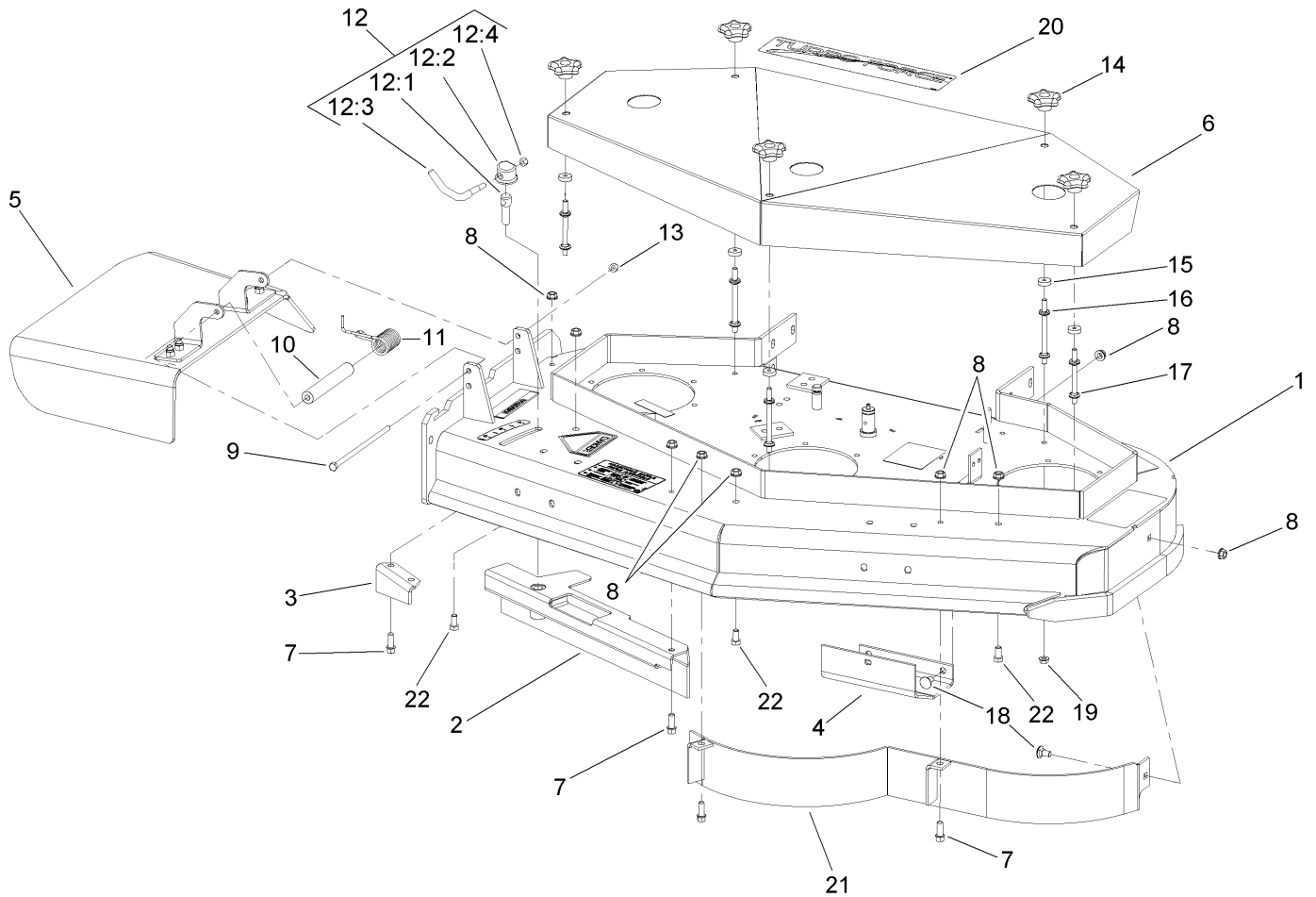
Ref	Part No.	Qty.	Description
27	1-523157	6	Washer-Spacer
27	1-543436	8	Washer-Spacer
28	1-323261	2	Drum-Brake
29	1-323253	4	Sheave-Wheel, Drive
30	1-323719	2	Wheel And Tire ASM
30:1	1-323720	1	Tire-Turfmaster
30:2	1-323328	1	Wheel And Hub ASM
30:2:1	1-323329	2	Bearing-Flanged
34	1-808519	2	Ring-Snap
35	1-323260	8	Spacer-Sheave, Wheel
36	322-6	8	Screw-HH
38	1-323631	2	V-Belt
39	3296-29	2	Nut-Lock, NI
40	2412-104	2	R-Clamp
41	98-3259	1	Shield-Trailing
42	322-3	2	Screw-HH
43	98-5975	4	Washer-Belleveille
44	323-6	4	Screw-HH
46	1-805005	8	Washer-Lock



Handle and Control Assembly

Ref	Part No.	Qty.	Description
1	98-3282	2	Rod-Control
2	95-5522-03	1	Control Bar ASM
3	3296-2	5	Nut-Lock
4	82-2290	1	Decal
5	32105-1	1	Screw-SHH
6	82-7680-03	1	Bail ASM
7	82-2280	1	Decal
8	3272-11	2	Pin-Cotter
9	99-8501-03	1	Control-Pivot
10	218-595	1	Connector-Body
11	98-3261-03	1	Lever-Brake, Parking
12	98-3266	1	Decal
13	740275	1	Switch-Seat
14	1-806003	3	Pin-Hair
15	237-141	2	Grommet-Rubber
16	98-3267-03	1	Upper Handle ASM
17	283-55	2	Pin-Clevis
18	100-6450	1	Control-Throttle
19	2412-120	2	R-Clamp
20	95-5537	1	Decal-Engage, Deck
21	1-303335	1	Tie-Plastic
22	1-303160	1	Spring-Compression
23	3256-24	2	Washer-Flat
24	3296-39	1	Nut-Lock, NI

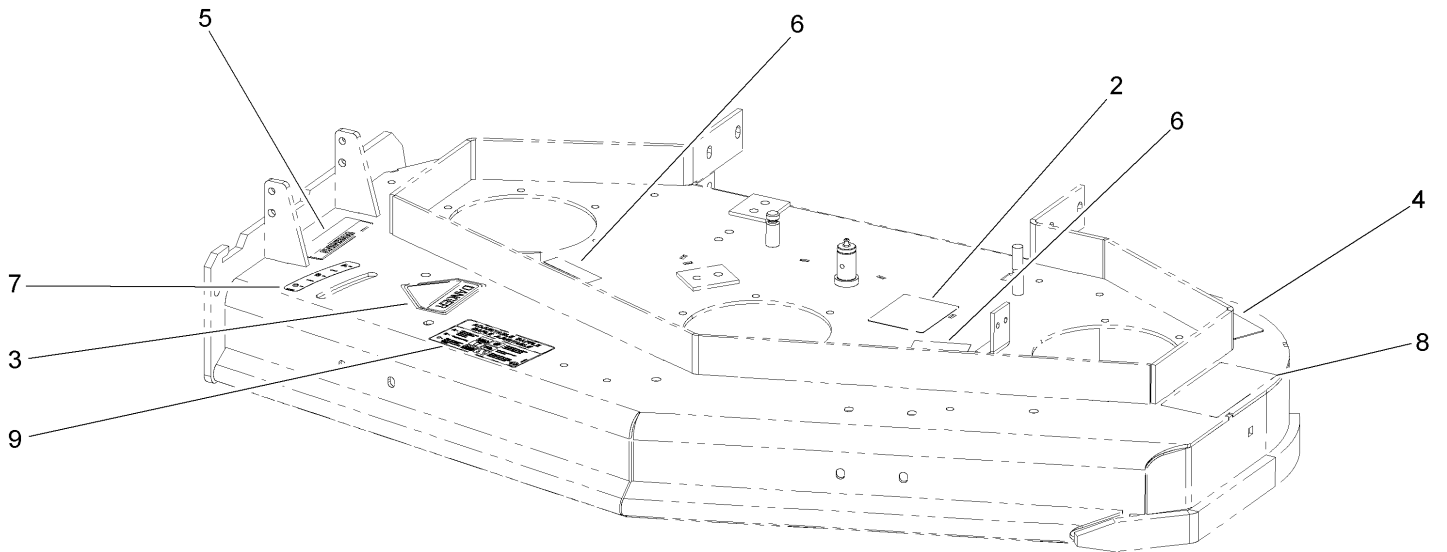
Ref	Part No.	Qty.	Description
25	106-0678	1	Harness-Wire
26	98-3279	1	Linkage-Drive, Blade
27	98-3287-03	1	Lever-Engagement, Blade
28	3234-11	4	Screw-HHF
29	32104-76	2	Screw
30	110-6905	1	Control Panel ASM
30:2	110-6916	1	Decal-Control Panel
30:3	105-0884	1	Decal-Danger
31	104-7050	1	Housing-Manual
32	32105-14	4	Screw-SHH
33	32128-21	4	Nut-HF
34	99-8509	1	Spacer
35	1-303020	1	Grip-Lever
36	323-10	1	Screw-HH
37	98-4387	1	Decal-Protection, Ear
39	29-5560	1	Switch-On / Off
39:1	218-461	1	Nut-HH
39:2	3254-5	1	Washer-Tooth
40	63-8360	1	Key-Ignition
41	104-7048	1	Cap-Housing



Deck Assembly

Ref	Part No.	Qty.	Description
1	110-4909	1	Deck ASM
2	110-0533-01	1	Adjustable Baffle
3	110-0744-01	1	Baffle-Discharge
4	107-3166-01	1	Skid
5	110-0758	1	Deflector ASM
6	110-2119-01	1	Cover
7	92-1624	5	Screw
8	3290-357	12	Nut-HHF, Whiz
9	322-50	1	Screw-HH
10	105-4622	1	Spacer
11	104-8554	1	Spring-Torsion
12	107-1664	1	Lever ASM
12:1	106-3239	1	Screw-Lock
12:2	107-1644	1	Cap-Lock
12:3	106-3241	1	Lever-Lock
12:4	3296-29	1	Nut-Lock, NI
13	3296-29	1	Nut-Lock, NI
14	106-4161	5	Knob-Handle
15	1-323417	5	Washer
16	1-303536	3	Stud-Shield, Belt (Long)
17	1-303537	2	Stud-Shield, Belt (Short)
18	3231-1	7	Screw-CARR
19	32128-20	5	Nut-HF
20	110-6920	1	Decal

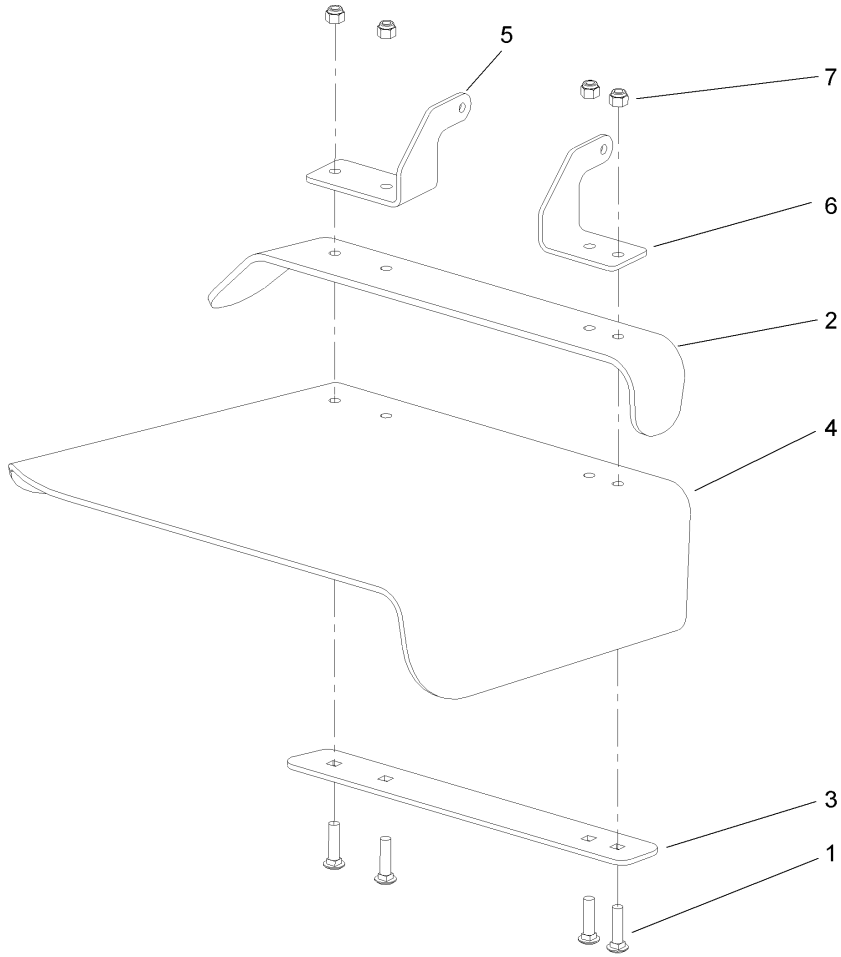
Ref	Part No.	Qty.	Description
21	110-0735-01	1	Baffle ASM
22	323-4	3	Screw-HH



Deck Decal Assembly No. 110-4909

Ref	Part No.	Qty.	Description
2	99-3943	1	Decal-Routing, Belt
3	43-8480	1	Decal-Danger
4	98-5130	1	Decal-Torque, Bolt
5	104-8569	1	Decal-Warning
6	98-5954	2	Decal-Missing, Cover
7	110-2067	1	Decal-Setting, Baffle
8	66-1340	1	Decal-Danger
9	110-2068	1	Decal-Adjustment, Baffle

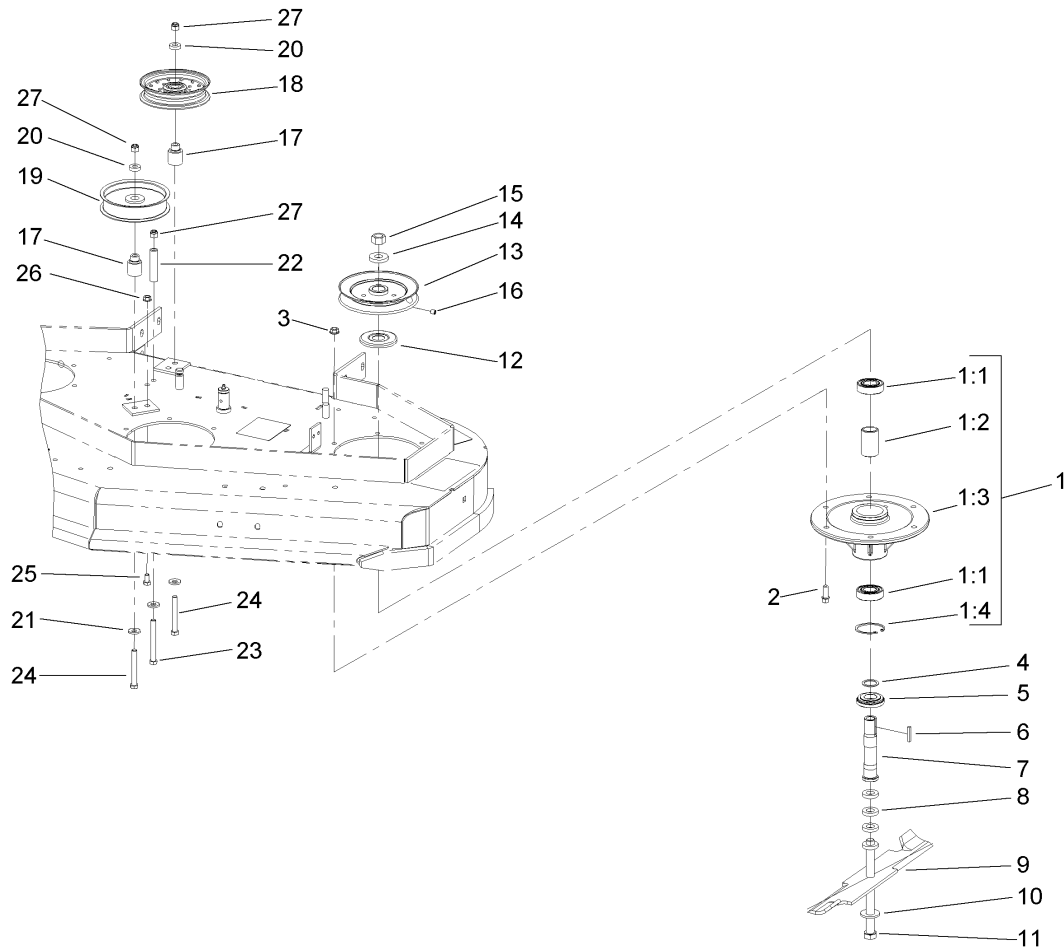
--	--	--	--



Deflector Assembly No. 110-0758

Ref	Part No.	Qty.	Description
1	3231-4	4	Screw-CARR
2	106-3246-01	1	Deflector
3	106-3248-03	1	Strap-Discharge
4	110-0759	1	Deflector-Rubber
5	107-4197-01	1	Bracket-Hinge, Rear
6	107-4196-01	1	Bracket-Hinge, Front
7	3296-39	4	Nut-Lock, NI

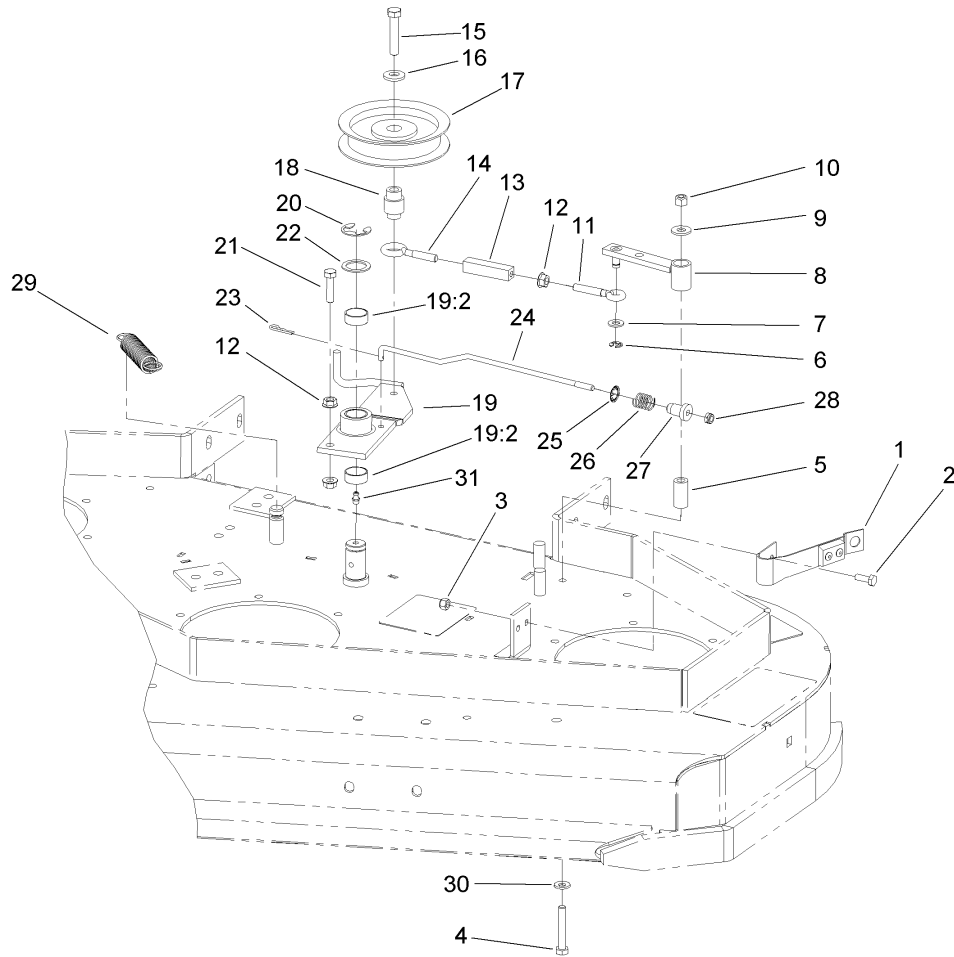
--	--	--	--



Sheave, Spindle and Blade Assembly

Ref	Part No.	Qty.	Description
1	108-6697	3	Spindle Housing ASM
1:1	110-2118	2	Bearing
1:2	110-2116	1	Spacer-Bearing
1:3	108-6694	1	Housing-Spindle
1:4	32120-8	1	Ring-Snap
2	92-1624	18	Screw
3	3290-357	18	Nut-HHF, Whiz
4	110-4888	3	Washer-Spacer
5	103-2535	3	Spacer-Guard, Bottom
6	1-807267	3	Key
7	1-323529	3	Tube-Spindle, Short
8	1-323539	12	Spacer-Drive, Blade
9	107-3192	3	Blade-Rotary, 16.5 Inch (High Flow)
10	1-513208	3	Washer-Spring
11	1-800861	3	Screw-Cap, HH
12	103-1330	3	Guard-Bearing, Top
13	1-403183	3	Sheave
14	1-323339	3	Washer-Retainer, Sheave
15	3219-6	3	Nut-Hex
16	1-803310	3	Screw-Set
17	1-403184	2	Bushing-Idler
18	1-403186	1	Idler-Pulley, Flat
19	1-613098	1	Pulley-Idler

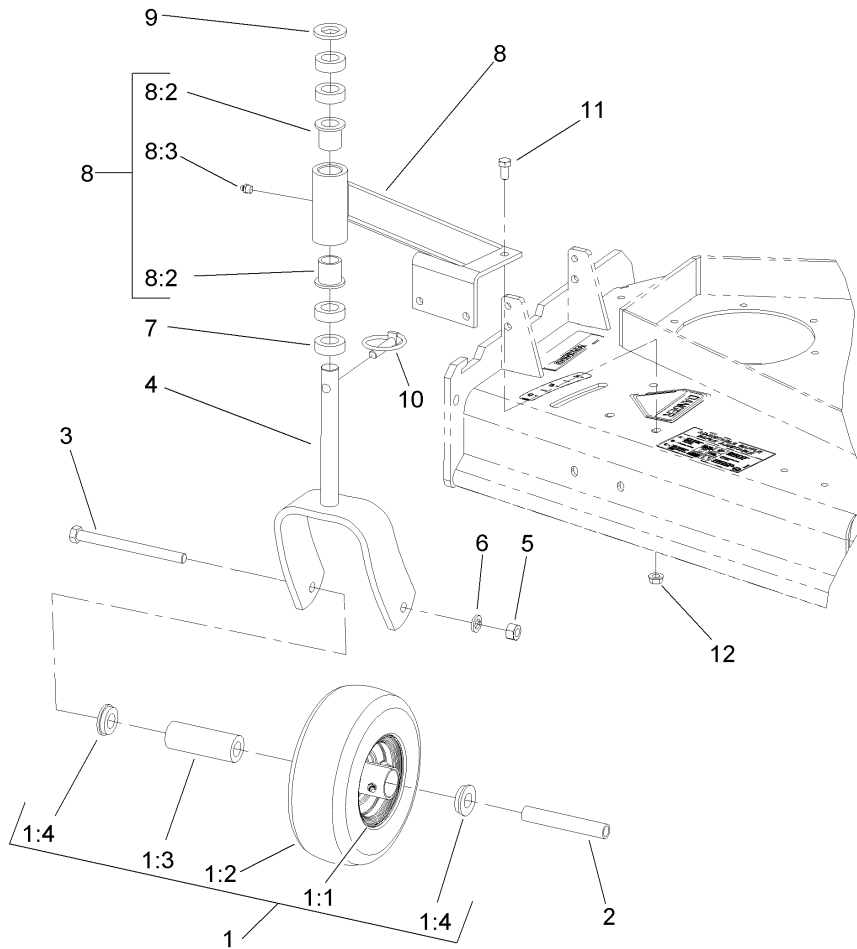
Ref	Part No.	Qty.	Description
20	5-0652	2	Spacer
21	98-5975	3	Washer-Belleville
22	1-403188	1	Spacer
23	323-15	1	Screw-HH
24	323-14	2	Screw-HH
25	322-2	1	Screw-HH
26	32128-20	1	Nut-HF
27	3296-39	3	Nut-Lock, NI



Idler Assembly

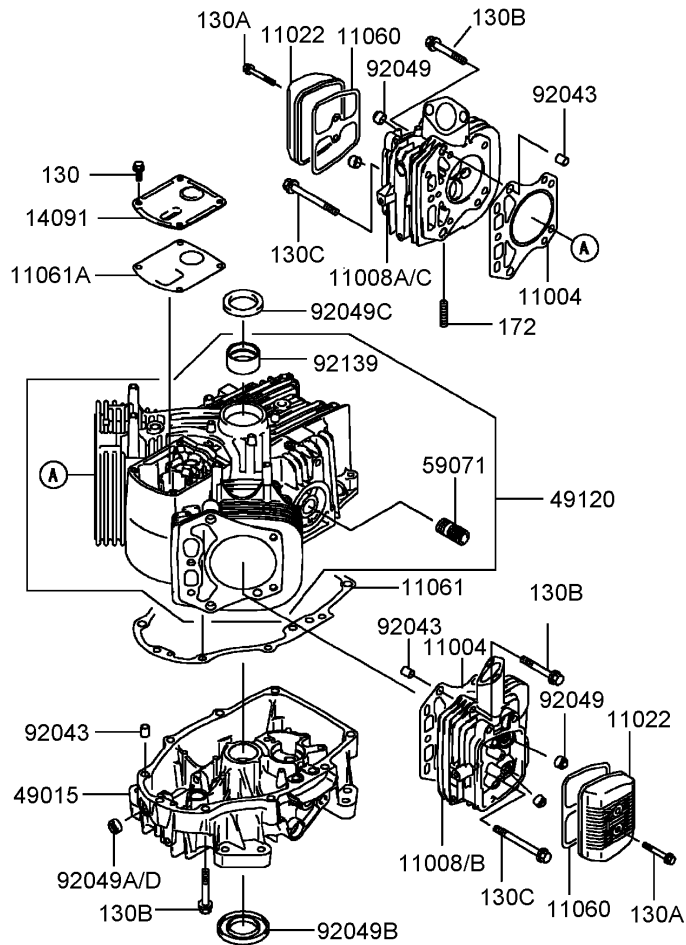
Ref	Part No.	Qty.	Description
1	1-324372	1	Pad/Spring ASM
2	321-4	2	Screw-HH
3	3296-42	2	Nut-Lock, NI
4	322-10	1	Screw-HH
5	1-403179	1	Tube, Pivot
6	32120-35	1	E-Ring
7	3256-23	1	Washer-Flat
8	1-322235	1	Arm-Assist
9	3256-3	1	Washer-Flat
10	3296-29	1	Nut-Lock, NI
11	1-303238	1	Eyebolt-Thread, RH
12	32128-20	3	Nut-HF
13	1-303236	1	Body-Turnbuckle
14	1-303348	1	Eyebolt-Thread, LH
15	702809	1	Screw-Cap
16	98-5975	1	Washer-Belleville
17	1-603843	1	Pulley-Idler
18	1-303434	1	Bushing-Engagement
19	103-3600	1	Idler Arm ASM
19:2	1-323729	2	Sleeve-Bearing
20	32151-103	1	Ring-Snap
21	322-6	1	Screw-HH
22	1-303352	1	Washer-Spindle
23	1-806003	1	Pin-Hair

Ref	Part No.	Qty.	Description
24	103-5602	1	Rod-Brake
25	1-323748	1	Ring-Push On
26	1-323747	1	Spring-Compression
27	1-323746	1	Spacer-Flanged
28	3296-56	1	Nut-Lock, NI
29	1-323071	1	Spring-Extension
30	1-303334	1	Washer-Spring
31	302-19	1	Fitting-Grease



Caster Assembly

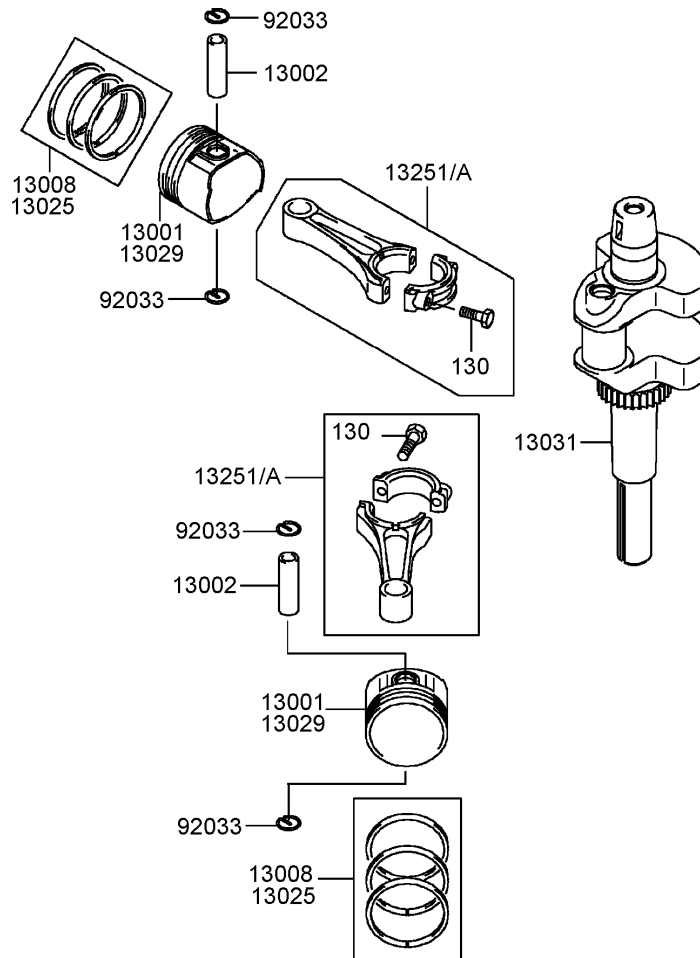
Ref	Part No.	Qty.	Description
1	1-513648	2	Wheel And Tire ASM
1:1		1	Rim
1:2	1-513808	1	Tire
1:3	1-513809	1	Bearing
1:4	1-513810	2	Bushing
2	1-513547	2	Spacer
3	325-20	2	Screw-HH
4	1-322145-01	2	Fork
5	3217-9	2	Nut-Hex
6	3253-7	2	Washer-Lock
7	1-303314	8	Spacer-Caster
8	110-2130	2	Support ASM
8:2	1-303514	2	Bearing-Flanged
8:3	302-52	1	Fitting-Grease
9	1-513338	2	Washer-Flat
10	1-809020	2	Pin
11	323-4	8	Screw-HH
12	3290-357	8	Nut-HHF, Whiz



Cylinder and Crankcase Assembly Kawasaki Model FH430V-AS25

Ref	Part No.	Qty.	Description
②11004	11004-7008	1	Gasket-Head
②11008	11008-7011	1	Head-Comp-Cylinder, No.2
②11008A	11008-7017	1	Head-Comp-Cylinder, No.1
②11008B	11008-7021	1	Head-Comp-Cylinder, No. 2
②11008C	11008-7022	1	Head-Comp-Cylinder, No. 1
②11022	11022-7003	1	Case-Rocker
②11060	11060-7001	1	Gasket-Case, Rocker
②11061	11061-7007	1	Gasket-Cover, Crankcase
②11061A	11061-7008	1	Gasket-Breather
②14091	14091-7007	1	Cover
②49015	49015-7032	1	Cover-Crankcase
②49120	49120-7015	1	Crankcase-Comp
②59071	59071-2079	1	Joint
②92043	92043-7001	1	Pin
②92049	92049-7001	1	Seal-Oil, Rvc2 (6X11X10.2)
②92049A	92049-7005	1	Seal-Oil, So (8X14X5 Hs)
②92049B	92049-7015	1	Seal-Oil, Sd (35X62X8 L Hs)
②92049C	92049-7016	1	Seal-Oil, Sd (35X48X8 R Hs)
②92049D	92049-7019	1	Seal-Oil, So (8X14X5 Hs)
②92139	92139-7002	1	Bushing
②130	130B0612	1	Bolt-Flanged
②130A	130B0640	1	Bolt-Flanged
②130B	130T0850	1	Bolt-Flanged
②130C	130T0875	1	Bolt-Flanged

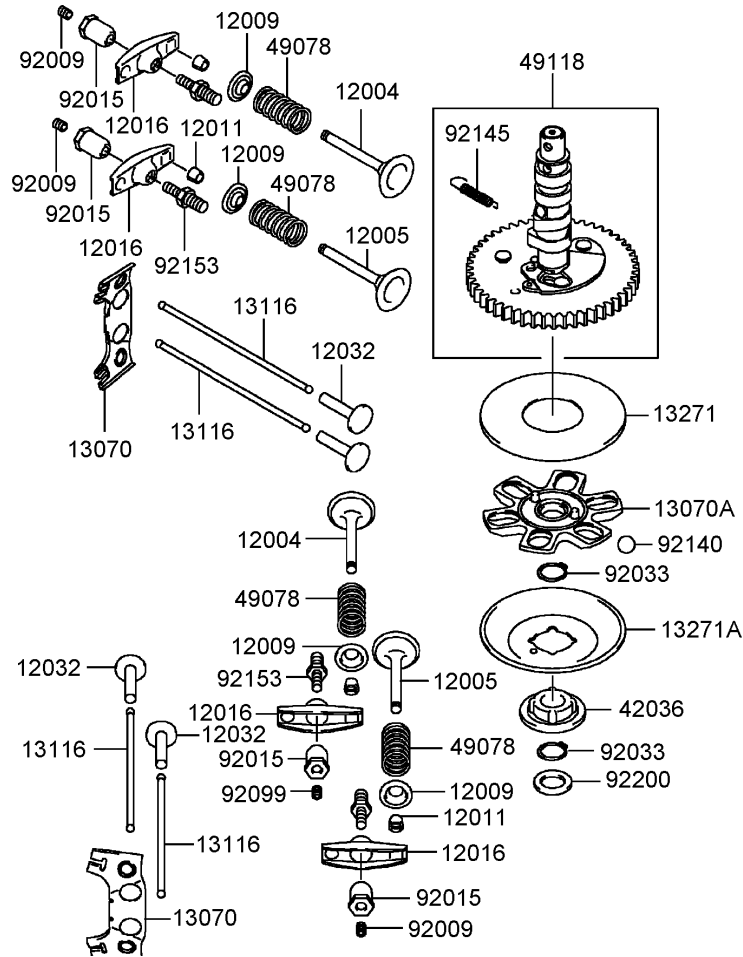
Ref	Part No.	Qty.	Description
②172	172G0818	1	Bolt-Stud



Piston and Crankshaft Assembly Kawasaki Model FH430V-AS25

Ref	Part No.	Qty.	Description
②13001	13001-7009	1	Piston-Engine
②13002	13002-7001	1	Pin-Piston
②13008	13008-7001	1	Ring Set-Piston
②13025	13025-7003	1	Ring Set-Piston (L,0.50)
②13029	13029-7005	1	Piston-Engine (L,0.50)
②13031	13031-7033	1	Crankshaft-Comp
②13251	13251-7007	1	Connecting Rod ASM
②13251A	13251-7008	1	Connecting Rod ASM (U/S=0.50)
②92033	92033-7005	1	Ring-Snap
②130	130G0630	1	Bolt-Flanged

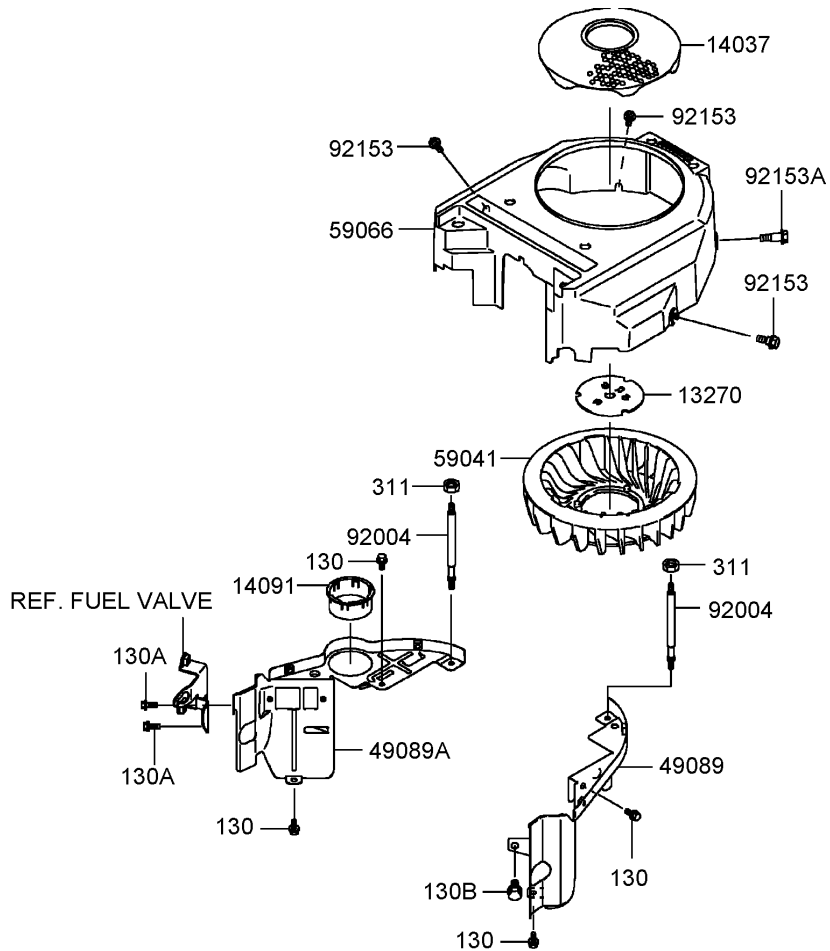
--	--	--	--



Valve and Camshaft Assembly Kawasaki Model FH430V-AS25

Ref	Part No.	Qty.	Description
②12004	12004-7003	1	Valve-Intake
②12005	12005-7003	1	Valve-Exhaust
②12009	12009-7001	1	Retainer-Spring, Valve
②12011	12011-2056	1	Collet
②12016	12016-7001	1	Arm-Rocker
②12032	12032-7001	1	Tappet
②13070	13070-7001	1	Guide
②13070A	13070-7004	1	Guide
②13116	13116-2057	1	Rod-Push
②13271	13271-7007	1	Plate
②13271A	13271-7021	1	Plate-Governor
②42036	42036-7009	1	Sleeve
②49078	49078-7001	1	Spring-Valve, Engine
②49118	49118-7009	1	Camshaft-Comp
②92009	92009-2341	1	Screw
②92015	92015-2253	1	Nut
②92033	92033-7001	1	Ring-Snap
②92140	92140-7002	1	Ball
②92145	92145-7001	1	Spring
②92153	92153-7019	1	Bolt
②92200	92200-7001	1	Washer

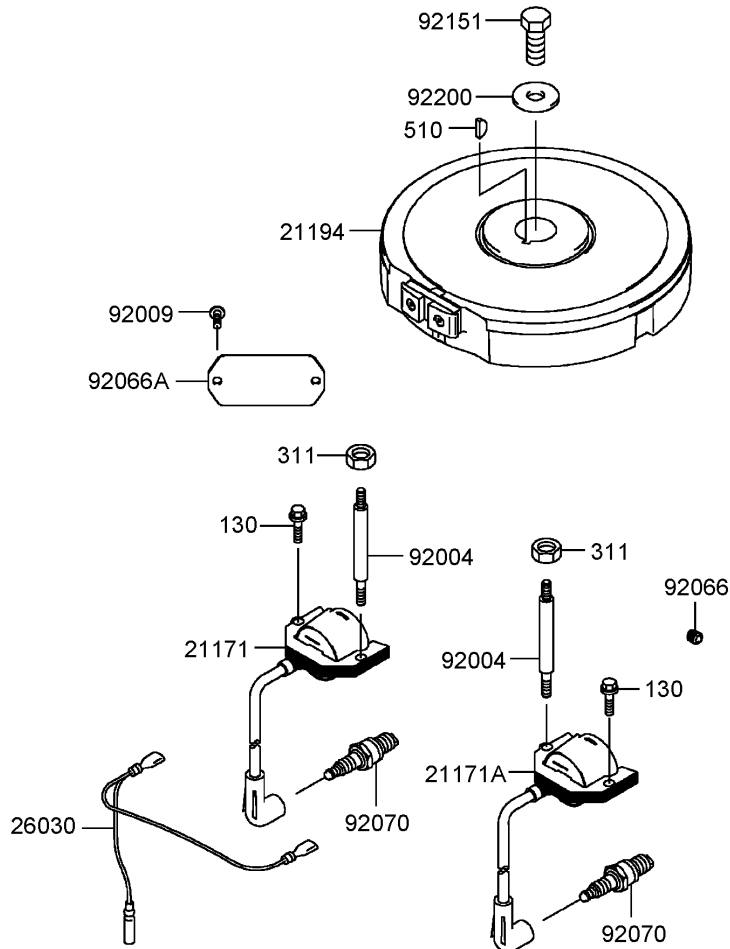
--	--	--	--



Cooling Equipment Assembly Kawasaki Model FH430V-AS25

Ref	Part No.	Qty.	Description
②13270	13270-7007	1	Plate
②14037	14037-7021-9H	1	Screen
②14091	14091-7009	1	Cover
②49089	49089-7044	1	Shroud-Engine
②49089A	49089-7045	1	Shroud-Engine
②59041	59041-7010	1	Fan
②59066	59066-7023	1	Housing-Fan
②92004	92004-7007	1	Stud
②92153	92153-7007	1	Bolt
②92153A	92153-7008	1	Bolt
②130	130B0612	1	Bolt-Flanged
②130A	130B0616	1	Bolt-Flanged
②130B	130B0816	1	Bolt-Flanged
②311	311F0600	1	Nut-Hex

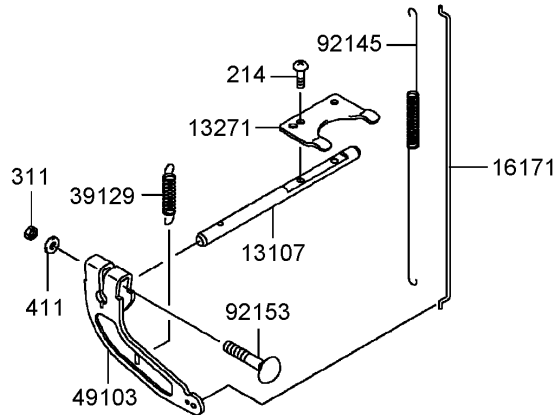
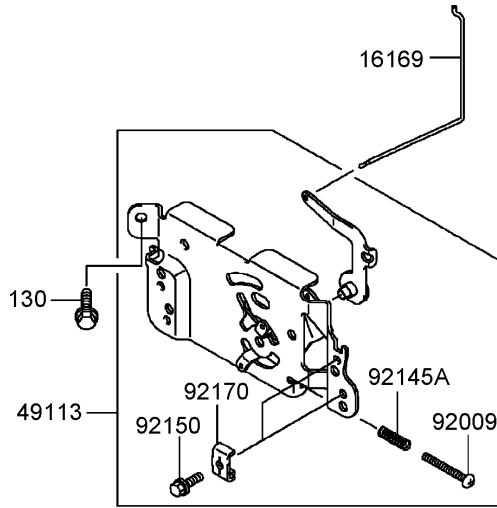
--	--	--	--



Electric Equipment Assembly Kawasaki Model FH430V-AS25

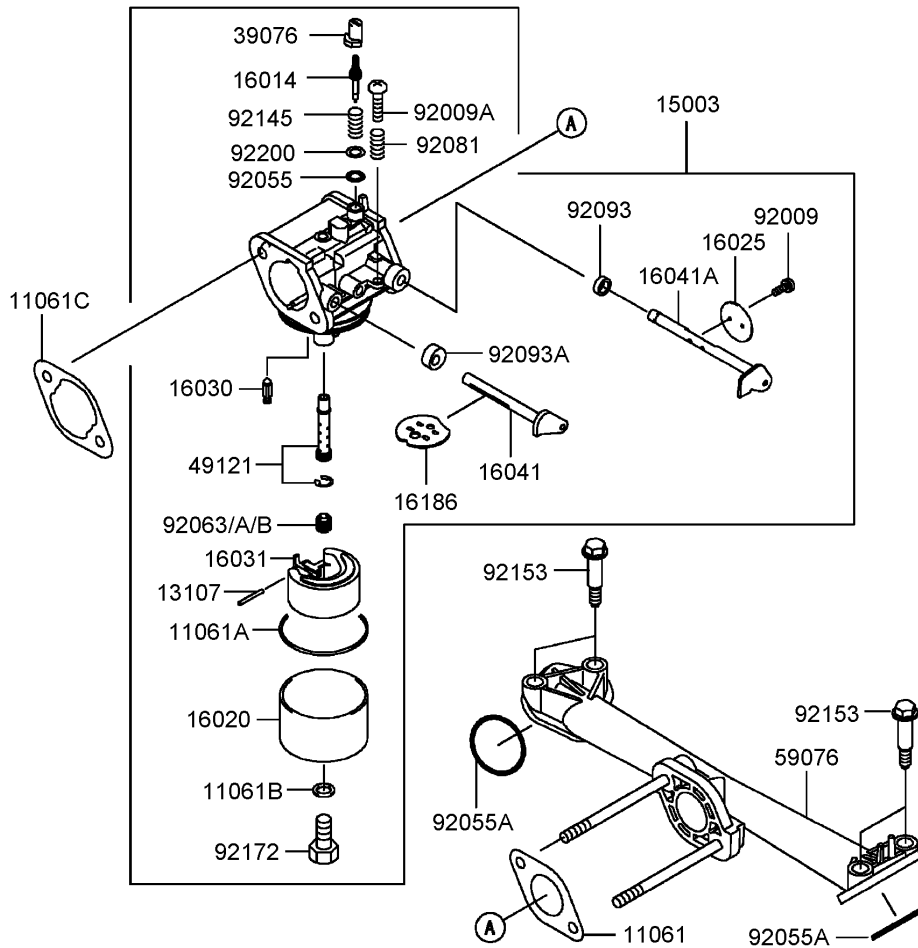
Ref	Part No.	Qty.	Description
②21171	21171-7013	1	Ignition Coil ASM
②21171A	21171-7014	1	Ignition Coil ASM
②21194	21194-7013	1	Flywheel-Comp
②26030	26030-7001	1	Harness
②92004	92004-7008	1	Stud
②92009	92009-2308	1	Screw
②92066	92066-7002	1	Plug
②92066A	92066-7005	1	Plug
②92070	92070-7003	1	Plug-Spark (Rcj8Y, Solid)
②92151	92151-2097	1	Bolt (12X30)
②92200	92200-7002	1	Washer
②130	130B0620	1	Bolt-Flanged
②311	311F0600	1	Nut-Hex
②510	510A5100	1	Key-Woodruff

--	--	--	--



Control Equipment Assembly Kawasaki Model FH430V-AS25

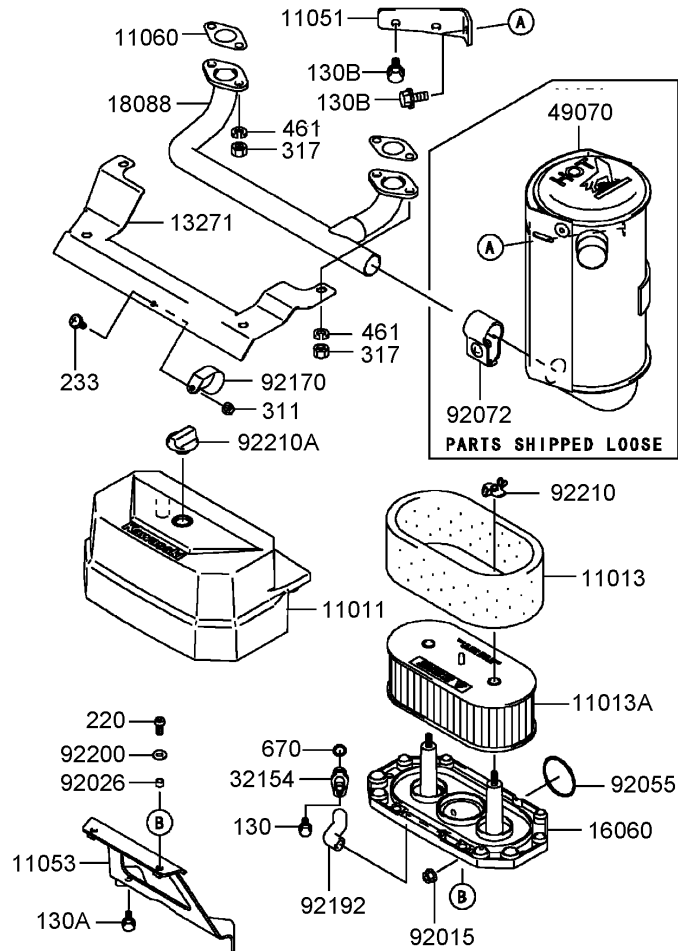
Ref	Part No.	Qty.	Description
②13107	13107-7010	1	Shaft
②13271	13271-7018	1	Plate
②16169	16169-7012	1	Link-Choke
②16171	16171-7007	1	Link
②39129	39129-7003	1	Spring-Governor
②49103	49103-7004	1	Arm-Governor
②49113	49113-7024	1	Panel-Control
②92009	92009-7007	1	Screw (4X35)
②92145	92145-7003	1	Spring
②92145A	92145-7005	1	Spring
②92150	92150-2182	1	Bolt (5X18)
②92153	92153-7005	1	Bolt (6X35)
②92170	92170-7001	1	Clamp
②130	130B0612	1	Bolt-Flanged
②214	214B0408	1	Screw-Pan
②311	311B0600	1	Nut-Hex
②411	411b0600	1	Washer-Plain



Carburetor Assembly Kawasaki Model FH430V-AS25

Ref	Part No.	Qty.	Description
②11061	11061-7004	1	Gasket-Insulator
②11061A	11061-7009	1	Gasket-Chamber
②11061B	11061-7010	1	Gasket-Screw
②11061C	11061-7018	1	Gasket-Cleaner, Air
②13107	13107-7018	1	Shaft
②15003	15003-7061	1	Carburetor-ASM
②16014	16014-7002	1	Screw-Pilot
②16020	16020-7003	1	Chamber-Float
②16025	16025-7006	1	Valve-Throttle
②16030	16030-7003	1	Valve-Float
②16031	16031-7002	1	Float
②16041	16041-7016	1	Shaft-Choke, Carburetor
②16041A	16041-7018	1	Shaft-Throttle, Carburetor
②16186	16186-7002	1	Choke Valve ASM
②39076	39076-7001	1	Limiter
②49121	49121-7001	1	Nozzle-Main
②59076	59076-7005	1	Manifold-Intake
②92009	92009-2083	1	Screw
②92009A	92009-2349	1	Screw
②92055	92055-2174	1	O-Ring
②92055A	92055-7007	1	O-Ring (Id=31)
②92063	92063-7026	1	Jet-Main, #88
②92063A	92063-7028	1	Jet-Main, #85
②92063B	92063-7029	1	Jet-Main, #82

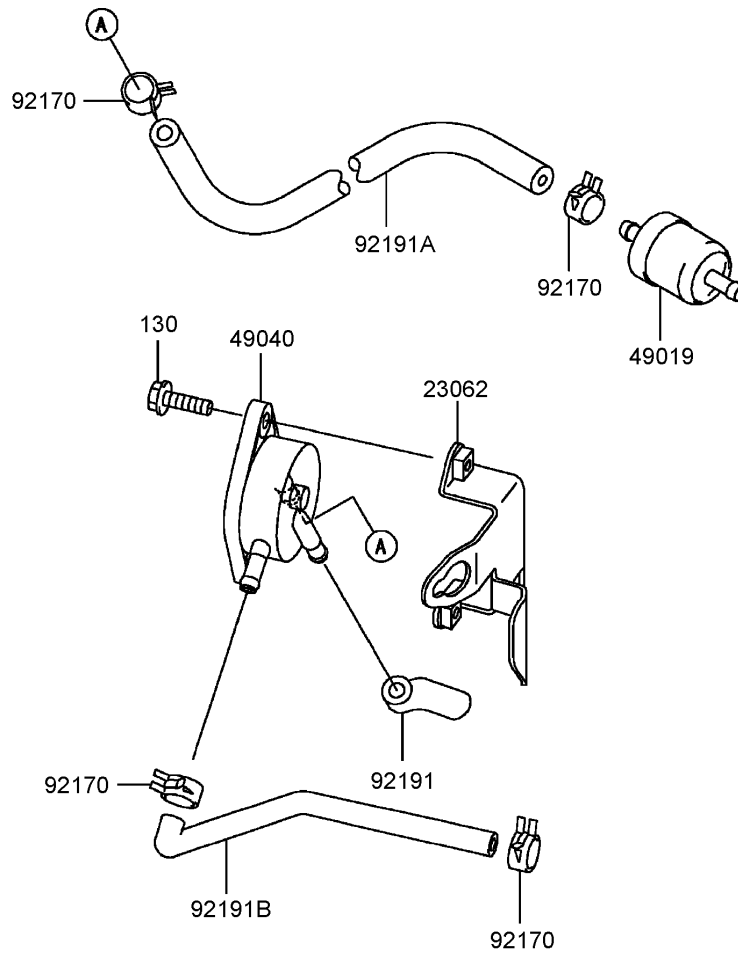
Ref	Part No.	Qty.	Description
②92081	92081-2234	1	Spring
②92093	92093-2100	1	Seal
②92093A	92093-7003	1	Seal
②92145	92145-7015	1	Spring
②92153	92153-7009	1	Bolt
②92172	92172-7002	1	Screw
②92200	92200-7014	1	Washer



Air Filter and Muffler Assembly Kawasaki Model FH430V-AS25

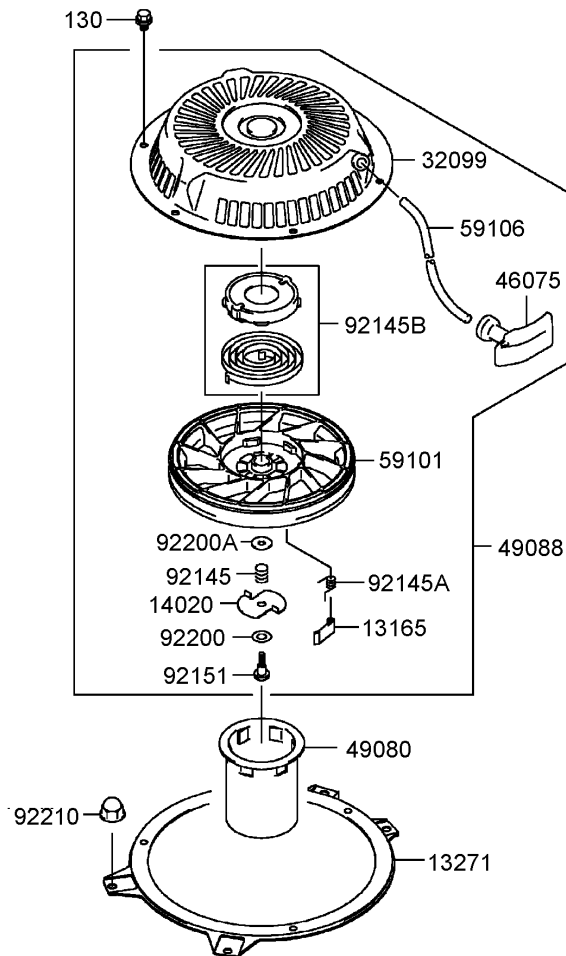
Ref	Part No.	Qty.	Description
②11011	11011-7035	1	Case-Filter, Air
②11013	11013-7025	1	Element-Airfilter
②11013A	11013-7031	1	Element-Airfilter
②11051	11051-7005-9H	1	Bracket
②11053	11053-7022	1	Bracket
②11060	11060-7021	1	Gasket-Muffler
②13271	13271-7022	1	Plate
②16060	16060-7016	1	Pipe-Intake
②18088	18088-7001	1	Pipe-Exhaust
②32154	32154-7006	1	Pipe
②49070	49070-7015	1	Muffler
②92015	92015-1193	1	Nut
②92026	92026-7001	1	Spacer (6.2X7.9X5)
②92055	92055-7015	1	Ring-O
②92072	92072-7008	1	Band
②92170	92170-7002	1	Clamp
②92192	92192-7010	1	Tube
②92200	92200-2070	1	Washer
②92210	92210-7004	1	Nut
②92210A	92210-7019	1	Nut
②130	130B0610	1	Bolt-Flanged
②130A	130B0612	1	Bolt-Flanged
②130B	130B0816	1	Bolt-Flanged

Ref	Part No.	Qty.	Description
②220	220B0614	1	Screw-Pan (Cross)
②233	233B0416	1	Screw
②311	311B0400	1	Nut-Hex
②317	317R0800	1	Nut-Hex
②461	461F0800	1	Washer-Spring
②670	670B2010	1	O-Ring (10Mm)



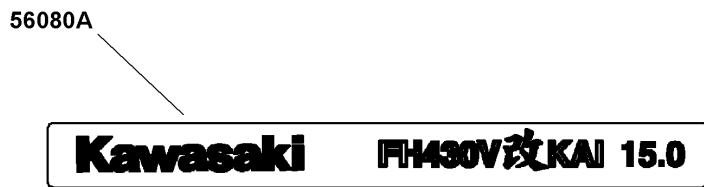
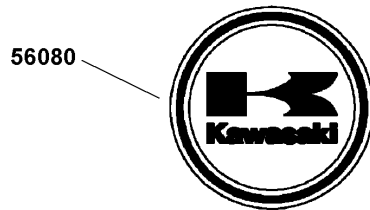
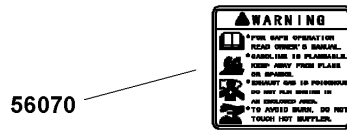
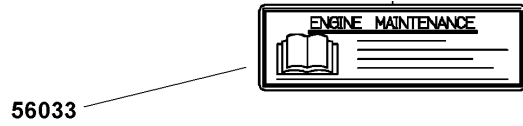
Fuel Tank and Fuel Valve Assembly Kawasaki Model FH430V-AS25

Ref	Part No.	Qty.	Description
②23062	23062-7004-9H	1	Bracket
②49019	49019-7001	1	Filter-Fuel
②49040	49040-7001	1	Pump-Fuel
②92170	92170-2088	1	Clamp
②92191	92191-7002	1	Tube
②92191A	92191-7003	1	Tube (6.35X12.7X160)
②92191B	92191-7004	1	Tube
②130	130B0620	1	Bolt-Flanged



Starter Assembly Kawasaki Model FH430V-AS25

Ref	Part No.	Qty.	Description				
②13165	13165-7001	1	Pawl-Starter, Recoil				
②13271	13271-7003-9H	1	Plate				
②14020	14020-7001	1	Retainer				
②32099	32099-7002	1	Case-Recoil, Starter				
②46075	46075-7001	1	Grip-Recoil, Starter				
②49080	49080-7001	1	Pulley-Starting				
②49088	49088-7013	1	Starter-Recoil				
②59101	59101-7001	1	Reel-Recoil				
②59106	59106-7001	1	Rope				
②92145	92145-7006	1	Spring				
②92145A	92145-7007	1	Spring				
②92145B	92145-7008	1	Spring				
②92151	92151-7008	1	Bolt				
②92200	92200-7004	1	Washer				
②92200A	92200-7005	1	Washer				
②92210	92210-0003	1	Nut				
②130	130B0608	1	Bolt-Flanged				



Label Assembly
Kawasaki Model FH430V-AS25

Ref	Part No.	Qty.	Description
②56033	56033-7001	1	Label-Manual
②56070	56070-7001	1	Label-Warning
②56080	56080-2077	1	Label-Brand
②56080A	56080-7024	1	Label-Brand

Attachments and Accessories

For 30698 - Commercial Walk-Behind Mower, Fixed Deck T-Bar Gear with 48in TURBO FORCE Cutting Unit

Product Name	Model/Part
Blade-Low Flow, 16.5 Inch	107-3193-03
Blade-Mid Flow, 16.5 Inch	107-3194-03
Blade-Atomic, 16.5 Inch	107-3195-03
Blade-Recycling, 16.5 Inch	107-3196-03
Bagging Enhancement Kit	108-4091
48 Inch Recycler Kit	110-2060
Weight Kit	110-2085
Soft Bag (3 Bushel)	30104
Sulky	30109

NOTES

