



# 52in Recycler<sup>®</sup> Kit

## TURBO FORCE<sup>®</sup> Cutting Unit for Mid-Size Mowers

Model No. 110-2040

## Parts Catalog

### Ordering Replacement Parts

To order replacement parts, please supply the part number, the quantity, and the description of each part desired.

### Understanding Reference Numbers

Each Identified part in an illustration has a reference number. The reference number for a part also appears in the parts list, along with other information about the part.

This catalog uses two special reference number formats, one to indicate parts in a service assembly and another to indicate the quantity of a given part in an illustration.

### Service Assembly Reference Numbers

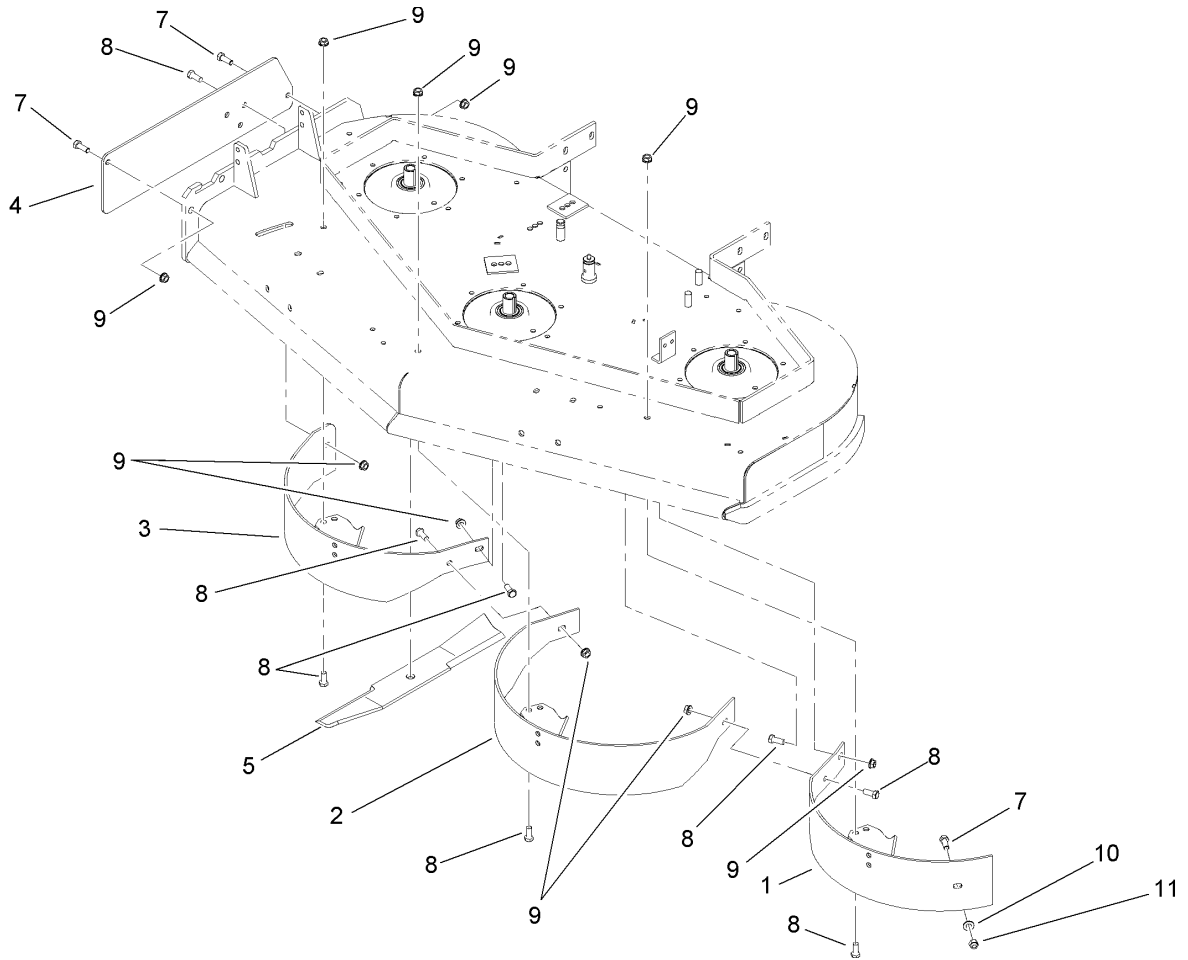
Parts in service assemblies have reference numbers in the form a:b. The a represents the reference number of the entire service assembly and the b represents a sequential number unique to each part within the service assembly.

For example, a wheel assembly might be identified by reference number 6, the tire by 6:1, the valve by 6:2, and the wheel by 6:3. When you order the assembly identified by reference number 6, you receive all parts identified by reference numbers 6:1, 6:2, and 6:3. However, you may also order any part individually. Reference numbers of this type appear in illustrations and in part lists.

### Reference Numbers Indicating Quantity

In an illustration, if a reference number indicates more than one part, the reference number has the form nX y. The n represents the quantity of the part, the X is the multiplication symbol, and the y represents the reference number.

For example, in an illustration, the reference number 2X 37 means that two of the parts identified by reference number 37 are indicated.



## 52 Inch Recycler Assembly

Ref	Part No.	Qty.	Description
1	110-2041-01	1	LH Baffle ASM
2	110-2043-01	1	Center Baffle ASM
3	110-2045-01	1	RH Baffle ASM
4	110-2047-01	1	Plate-Discharge
5	105-7779-03	3	Blade-Recycler
7	323-6	3	Screw-HH
8	323-5	8	Screw-HH
9	3290-357	10	Nut-HHF, Whiz
10	3256-24	1	Washer-Flat
11	3296-39	1	Nut-Lock, NI

--	--	--	--