



Mulching Kit

42 inch Mowers for TimeCutter® Z Riding Mower

Model No. 79206

Form No. 3329-348 Rev B

Installation Instructions

Note: Determine the left and right sides of the machine from the normal operating position.

Loose Parts

Note: Use the chart below to identify parts for assembly.

| Description | Qty. | Use |
|------------------------------|------|--|
| Decal | 1 | Installing the decal |
| Discharge cover | 1 | Installing the discharge cover |
| Bolt, 1/4 x 2-3/4 inch | 2 | |
| Nut, 1/4 inch | 2 | |
| Front baffle | 1 | Installing the mulching baffles for Model 74350 or Installing the mulching baffles for Model 74350 and 74325 |
| Middle baffle | 1 | |
| Flange Bolt, 5/16 x 5/8 inch | 4 | |
| Locknut, 5/16 inch | 2 | |
| Washer, 5/16 inch | 2 | |

Installing the Decal

Install the decal on left side of mower (Fig. 1).

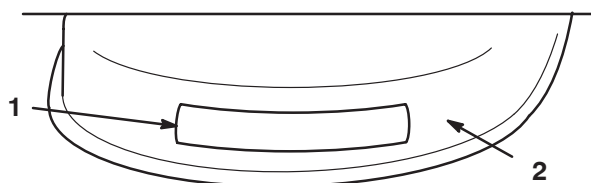


Figure 1

1. Mulching decal 2. Left side of mower

Note: Do not over-tighten the nuts, this could distort the cover and cause blade contact.

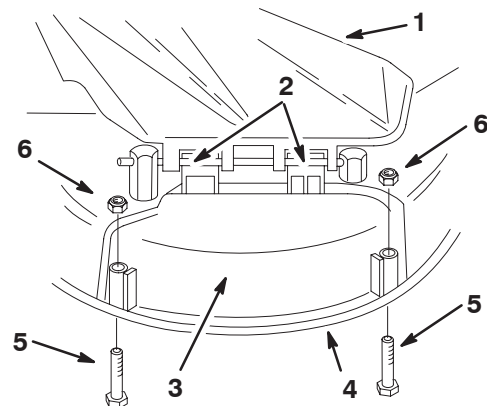


Figure 2

Installing the Discharge Cover

1. Stop the engine and remove the ignition key.
2. Lift the grass deflector and slide the tabs on top of the discharge cover under the grass deflector retaining rod. Rotate the discharge cover down over the opening, and onto the lower lip of the mower (Fig. 2).
3. Secure the discharge cover to the lower lip of the mower with 2 bolts (1/4 x 2-3/4 inch) and 2 nuts (1/4 inch) (Fig. 2).

1. Grass deflector 4. Lower lip of mower
2. Tabs under retaining rod 5. Bolt, 1/4 x 2-3/4 inch
3. Discharge cover 6. Nut, 1/4 inch

Installing the Mulching Baffles For Model 74350

Complete the following procedure to convert to a mulching mower.

Note: The existing bolts holding the front mower wheel are used to install the front baffle.

1. Thoroughly clean the mower.
2. Raise the mower to the **G** position [4–1/2 inch (114 mm)]. See the mower Operator's Manual for raising the mower.
3. Remove the bolts from the mower wheel bracket and mower (Fig. 3). Save the locknuts for use when converting back to side discharge mode.
4. Install the front baffle into the slot in the discharge cover (Fig. 3).
5. Install the front baffle and mower wheel bracket to the mower with two bolts removed in step 3 (Fig. 3).
6. Install the front baffle together with the middle baffle to the front of the mower with a bolt (5/16 x 5/8 inch), washer (5/8 inch) and a locknut (5/16 inch) (Fig. 3).
7. Install the middle baffle to the top of the mower with 1 bolt (5/16 x 5/8 inch) and locknut (5/16 inch) (Fig. 3).

Installing the Mulching Baffles For Models 74330 and 74325

Complete the following procedure to convert back to a mulching mower.

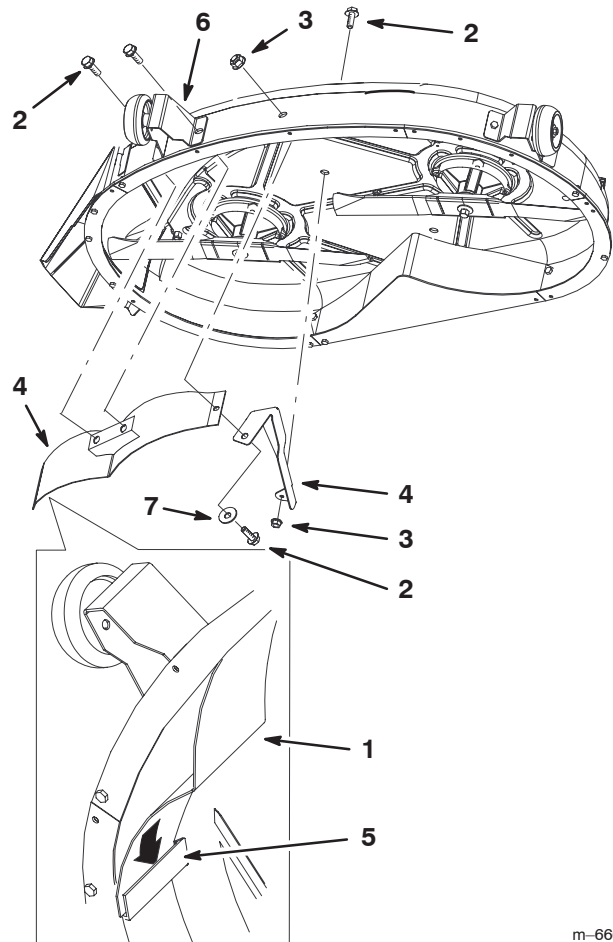
1. Thoroughly clean the mower.
2. Raise the mower to the **G** position [4–1/2 inch (114 mm)]. See the mower Operator's Manual for raising the mower.
3. Install the front baffle into the slot in the discharge cover (Fig. 4).
4. Install the front baffle to the mower with two bolts (5/16 x 5/8 inch) (Fig. 4).
5. Install the front baffle together with the middle baffle to the front of the mower with 1 bolt (5/16 x 5/8 inch), washer (5/16 inch), and locknut (5/16 inch) (Fig. 4).
6. Install the middle baffle to the top of the mower with 1 bolt (5/16 x 5/8 inch) and locknut (5/16 inch) (Fig. 4).

Converting to Side Discharge Mode

Removing the Mulching Baffles For Model 74350

Complete the following procedure to convert your mower into a side discharge mower.

1. Raise the mower to the **G** position (4–1/2 inch). See the mower Operator's Manual for raising the mower.
2. Remove the middle baffle by removing the nut and bolt from the top of the mower and the nut, bolt and washer from the front baffle (Fig. 3). Save this hardware.
3. Remove the bolts from the front baffle and remove the baffle (Fig. 3).
4. Install the the mower wheel bracket to the mower using the nuts removed when the baffle was installed.



m-6665

Figure 3

- | | |
|---------------------------------|----------------------------|
| 1. Front baffle | 4. Middle baffle |
| 2. Flange bolt, 5/16 x 5/8 inch | 5. Slot in discharge cover |
| 3. Locknut, 5/16 inch | 6. Mower wheel bracket |
| | 7. Washer, 5/16 inch |

Removing the Mulching Baffles For Models 74330 and 74325

Complete the following procedure to convert your mulching mower into a side discharge mower.

1. Raise the mower to the **G** position (4–1/2 inch). See the mower Operator's Manual for raising the mower.
2. Remove the middle baffle by removing the nut and bolt from the top of the mower and the nut, bolt and washer from the front baffle (Fig. 4). Save this hardware.
3. Remove the bolts from the front baffle and remove the baffle (Fig. 4). Save these bolts.

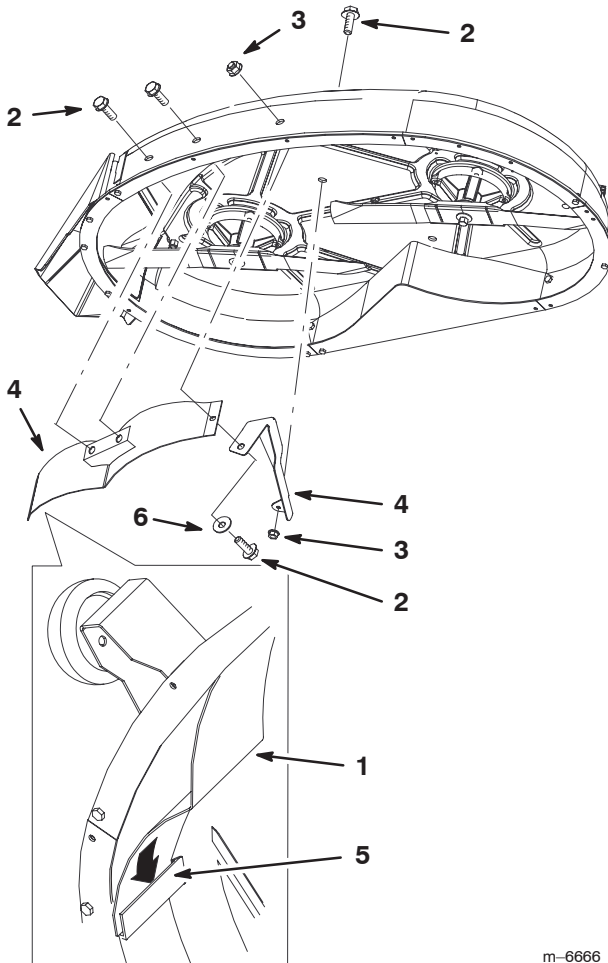


Figure 4

- | | |
|---------------------------------|----------------------------|
| 1. Front baffle | 4. Middle baffle |
| 2. Flange bolt, 5/16 x 5/8 inch | 5. Slot in discharge cover |
| 3. Locknut, 5/16 inch | 6. Washer, 5/16 inch |

Removing the Discharge Cover

1. Stop the engine and remove the ignition key.
2. Remove the 2 bolts (1/4 x 2–3/4 inch) and 2 nuts (1/4 inch) that secure the discharge cover to the mower (Fig. 2).
3. Remove the discharge cover and lower the grass deflector over the discharge opening.

Side Discharge or Mulch Grass



Danger



Without the grass deflector, discharge cover, or complete grass catcher assembly mounted in place, you and others are exposed to blade contact and thrown debris. Contact with rotating mower blade(s) and thrown debris will cause injury or death.

- Never remove the grass deflector from the mower because the grass deflector routes material down toward the turf. If the grass deflector is ever damaged, replace it immediately.
- Never put your hands or feet under the mower.
- Never try to clear discharge area or mower blades unless you move the power take off (PTO) to *disengage* and turn the ignition key to *off*. Also remove the key and pull the wire off the spark plug(s).

Note: To use the mower in side discharge mode, only the discharge cover must be removed. Mounting hardware must be installed in open holes.

Ensure the mower has a hinged grass deflector that disperses clippings to the side and down toward the turf, while in side discharge mode.

To mulch grass clippings the discharge cover must be installed into the opening in the side of the mower; refer to Installing the Discharge Cover, page NO TAG.

Mulching Tips

Selecting the Proper Height-of-Cut Setting to Suit the Conditions

Remove approximately one inch or no more than 1/3 of the grass blade when cutting. In exceptionally lush and dense grass you may have to raise the height-of-cut setting another notch or convert to side discharge or bagging operations.

Mowing in Extreme Conditions

Air is required to cut and recut grass clippings in the mower housing, so do not set the height-of-cut too low or totally surround the housing by uncut grass. Always have one side of the mower housing free from uncut grass, allowing air to be drawn into housing. When making an initial cut through the center of the uncut area, operate the machine at a slower speed and back up if the mower starts to clog.

Mowing at the Proper Intervals

Under normal conditions you'll need to mow every 4–5 days. However, grass grows at different rates at different times. Thus, in order to maintain the same height-of-cut, which is a good practice, you'll need to cut more frequently in early spring; as the grass growth rate slows in mid summer, cut only every 8–10 days. If you are unable to mow for an extended period due to the weather conditions or other reasons, convert to side discharge or bagging options or mow first with the height-of-cut at a high level; then mow again 2–3 days later with a lower height setting.

Always Mow with Sharp Blades

A sharp blade cuts cleanly and without tearing or shredding the grass blade like a dull blade. Tearing and shredding causes the grass to turn brown at the edges which impairs growth and increases susceptibility to disease.

Cleaning After Operating

To ensure optimum performance, clean the underside of the mower housing. If residue is allowed to build up in mower housing, cutting performance will decrease.