



Super Recycler[®] Lawn Mower

Model No. 20057 - 260000001 and up.

Parts Catalog

Ordering Replacement Parts

To order replacement parts, please supply the part number, the quantity, and the description of each part desired.

Understanding Reference Numbers

Each identified part in an illustration has a reference number. The reference number for a part also appears in the parts list, along with other information about the part.

This catalog uses two special reference number formats, one to indicate parts in a service assembly and another to indicate the quantity of a given part in an illustration.

Service Assembly Reference Numbers

Parts in service assemblies have reference numbers in the form a:b. The a represents the reference number of the entire service assembly and the b represents a sequential number unique to each part within the service assembly.

For example, a wheel assembly might be identified by reference number 6, the tire by 6:1, the valve by 6:2, and the wheel by 6:3. When you order the assembly identified by reference number 6, you receive all parts identified by reference numbers 6:1, 6:2, and 6:3. However, you may also order any part individually. Reference numbers of this type appear in illustrations and in part lists.

Reference Numbers Indicating Quantity

In an illustration, if a reference number indicates more than one part, the reference number has the form nX y. The n represents the quantity of the part, the X is the multiplication symbol, and the y represents the reference number.

For example, in an illustration, the reference number 2X 37 means that two of the parts identified by reference number 37 are indicated.

Contents

Description	Page	Description	Page
Housing Assembly 3	Carburetor Assembly Briggs and Stratton 122672-0192-E1 16
Housing Assembly No. 108-4750 4	Air Cleaner Assembly Briggs and Stratton 122672-0192-E1 17
Height-of-Cut Assembly 5	Governor Assembly Briggs and Stratton 122672-0192-E1 18
Transmission Assembly 6	Muffler and Fuel Tank Assembly Briggs and Stratton 122672-0192-E1 19
Gear Case Assembly No. 108-8140 7	Blower Housing Assembly Briggs and Stratton 122672-0192-E1 20
Engine Assembly 8	Starter Assembly Briggs and Stratton 122672- 0192-E1 21
Handle Assembly 9	Valve and Engine Gasket Set Assemblies Briggs and Stratton 122672-0192-E1 22
Handle Traction Assist Assembly 10	Carburetor Overhaul Kit and Gasket Set Assemblies Briggs and Stratton 122672-0192- E1 23
Rear Bag Assembly 11	Attachments and Accessories List 24
Cylinder Assembly Briggs and Stratton 122672-0192-E1 12		
Cylinder Head Assembly Briggs and Stratton 122672-0192-E1 13		
Crankshaft Assembly Briggs and Stratton 122672-0192-E1 14		
Crankcase Assembly Briggs and Stratton 122672-0192-E1 15		

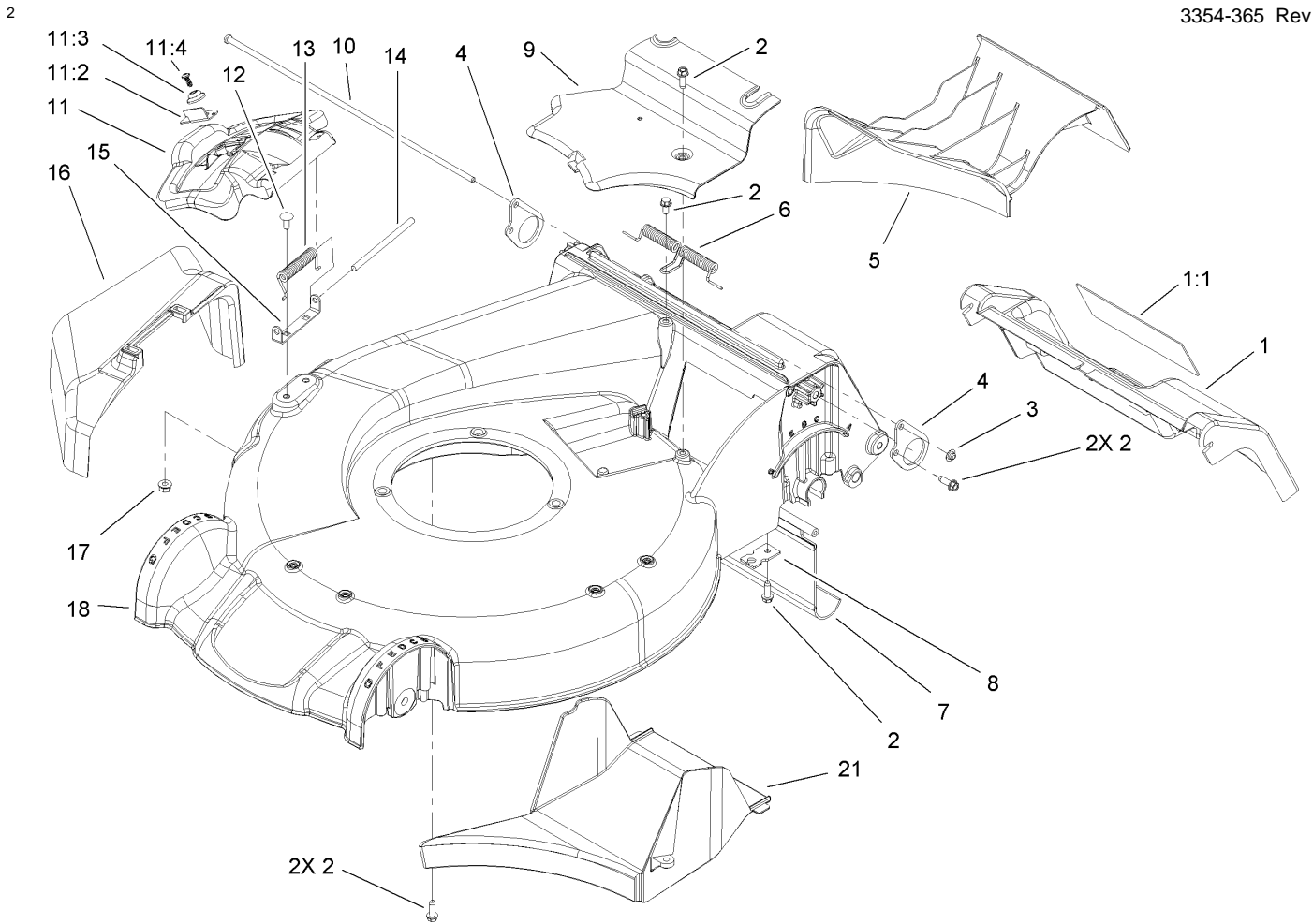
Part Description Abbreviations

Part descriptions in this catalog may include the following abbreviations.

AR. as required	INC. incorporated
ASM. assembly	LH. left hand
BBC. blade brake clutch	NI. nylon insert
CARR. carriage	NPTF. national pipe thread fine
DEG. degrees	PFH. phillips flat head
EXT. external	PPH. phillips pan head
FH. flat head	PPHTF. phillips pan head thread forming
GA. gauge	PRH. phillips round head
HF. hex flange	PTH. phillips truss head
HH. hex head	PTO. power-take-off
HHF. hex head flange	RH. right hand
HHFTF. hex head flange thread forming	ROPS. roll-over-protection-system
HJ. hex jam	SFH. slotted fillister head
HLH. hex lag head	SHH. slotted hex head
HOC. height-of-cut	SHWH. slotted hex washer head
HSBH. hex socket button head	SPH. slotted pan head
HSFH. hex socket flat head	SQH. square head
HSH. hex socket head	SRH. slotted round head
HWH. hex washer head	STD. standard
HWHTF. hex washer head thread forming	TAP. self tapping
HYD. hydraulic	TTH. torx truss head

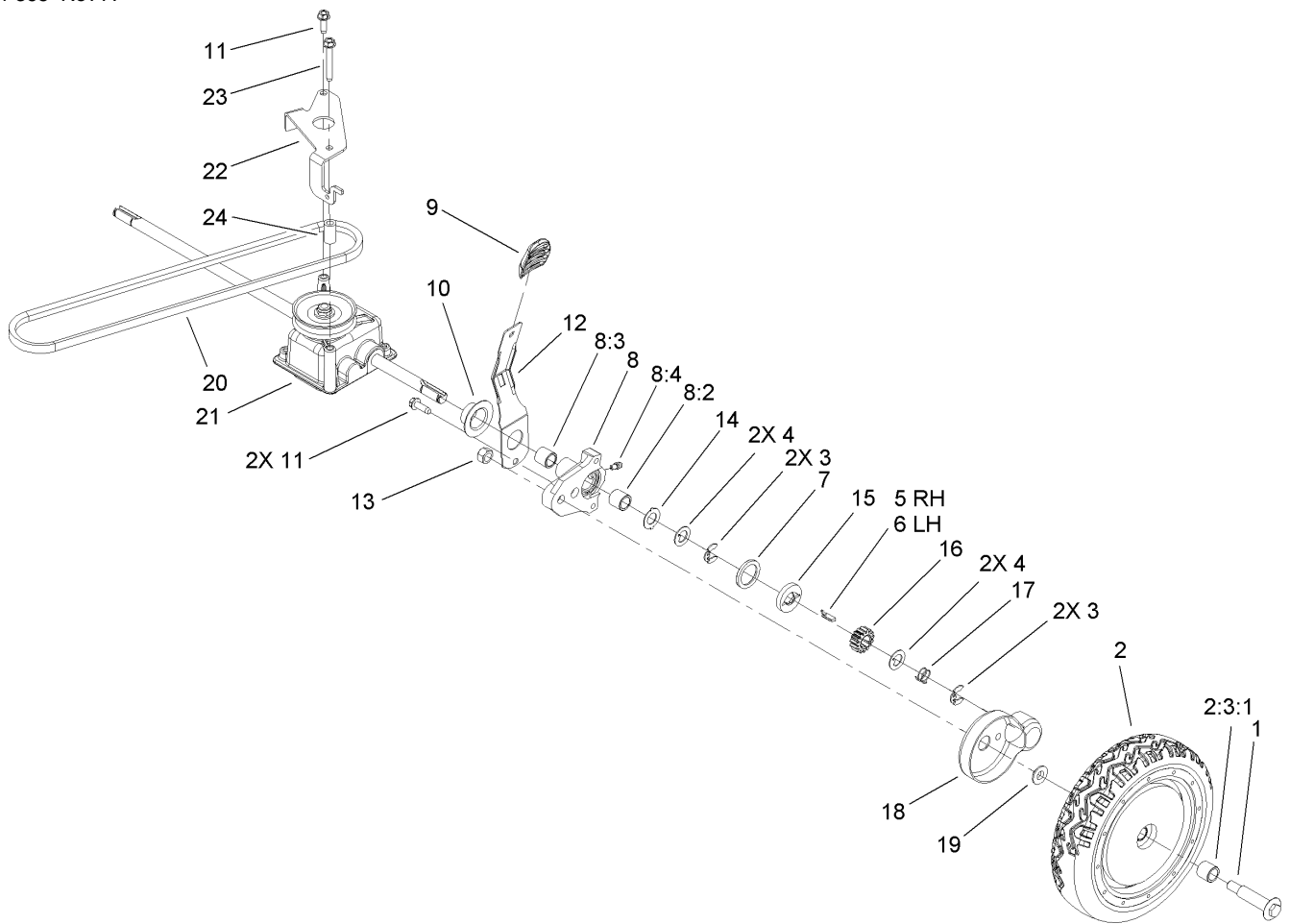
Footnotes

- | | |
|---|-----------------------------------|
| ❶ Not illustrated | ❷ Not serviced separately |
| ❸ Obtain from your local Briggs & Stratton dealer | ❹ For use only on Models with BBC |



Housing Assembly

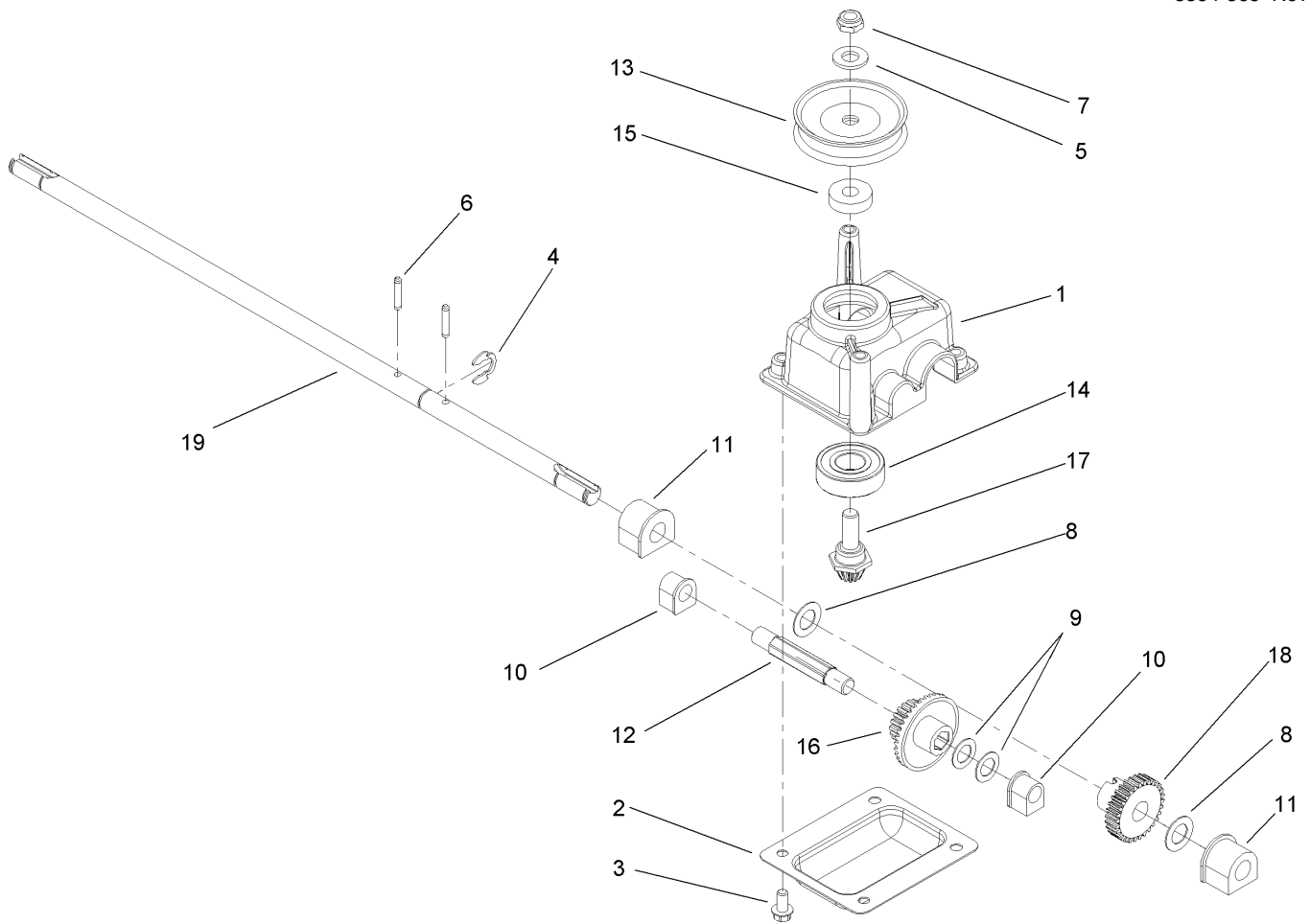
Ref	Part No.	Qty.	Description
1	108-8169	1	Door-Service
1:1	105-1295	1	Decal-Warning
2	49-2040	7	Screw-HWHTF
3	3290-337	1	Nut-Speed
4	107-7493	2	Plate-Support, Door
5	107-7490	1	Plug-Mulch
6	105-3032	1	Spring-Door, Rear
7	107-7496	1	Shield-Trailing
8	107-7497	1	Bracket-Cable, Traction
9	107-7494	1	Cover-Belt
10	107-7499	1	Rod-Support, Door
11	107-3717	1	Discharge Door ASM
11:2	107-0795	1	Latch-Door
11:3	107-7456	1	Cap-Door
11:4	107-7461	1	Screw-Plastite
12	3229-11	2	Screw-CARR
13	99-5293	1	Spring-Torsion
14	99-5291	1	Rod-Cover
15	99-5292	1	Bracket-Cover
16	108-3753	1	Chute-Discharge, Side
17	32128-32	2	Nut-HHF
18	108-4750	1	Housing ASM
21	107-7495	1	Tunnel-Discharge



Transmission Assembly

Ref	Part No.	Qty.	Description
1	92-1057	2	Bolt-Shoulder
2	107-3709	2	Wheel Gear ASM
1 2 2:3			
2:3:1	27-6250	2	Bushing
3	65-2720	4	Klipring-Locking
4	65-4740	4	Washer-Thrust, Keyed
1 5	66-6040	1	Key-Rocking, RH
6	66-6050	1	Key-Rocking, LH
7	65-4710	2	Ring-Friction
8	100-8774	2	Pivot Arm ASM
8:2	47-2900	1	Bushing
8:3	70-9760	1	Bushing
8:4	302-56	1	Fitting-Grease
9	105-3042	2	Knob-Lever, HOC
10	42-3520	2	Cap-End
11	49-2040	3	Screw-HWHTF
12	107-7491	2	Spring Arm
13	603773	2	Nut
14	65-4730	2	Washer-Arm, Pivot
15	65-4760	2	Washer-Clutch
16	65-4750	2	Gear-Pinion
17	65-4720	2	Spring-Compression
18	74-1660	2	Cover-Wheel
19	74-1671	2	Spacer-Cover, Wheel

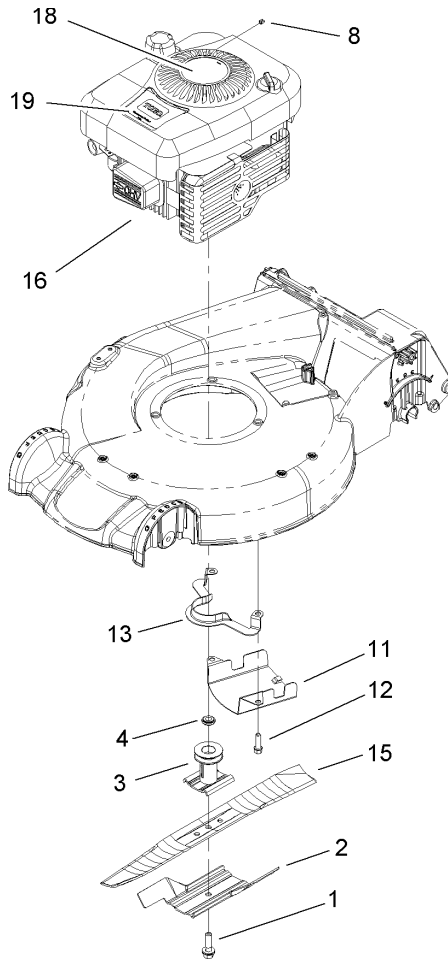
Ref	Part No.	Qty.	Description
20	99-1597	1	V-Belt
21	108-8140	1	Gear Case ASM
22	107-7483-03	1	Bracket-Gearbox
23	92-1616	1	Screw-HWHTF
24	614673	1	Bushing-Plate, Actuator



Gear Case Assembly No. 108-8140

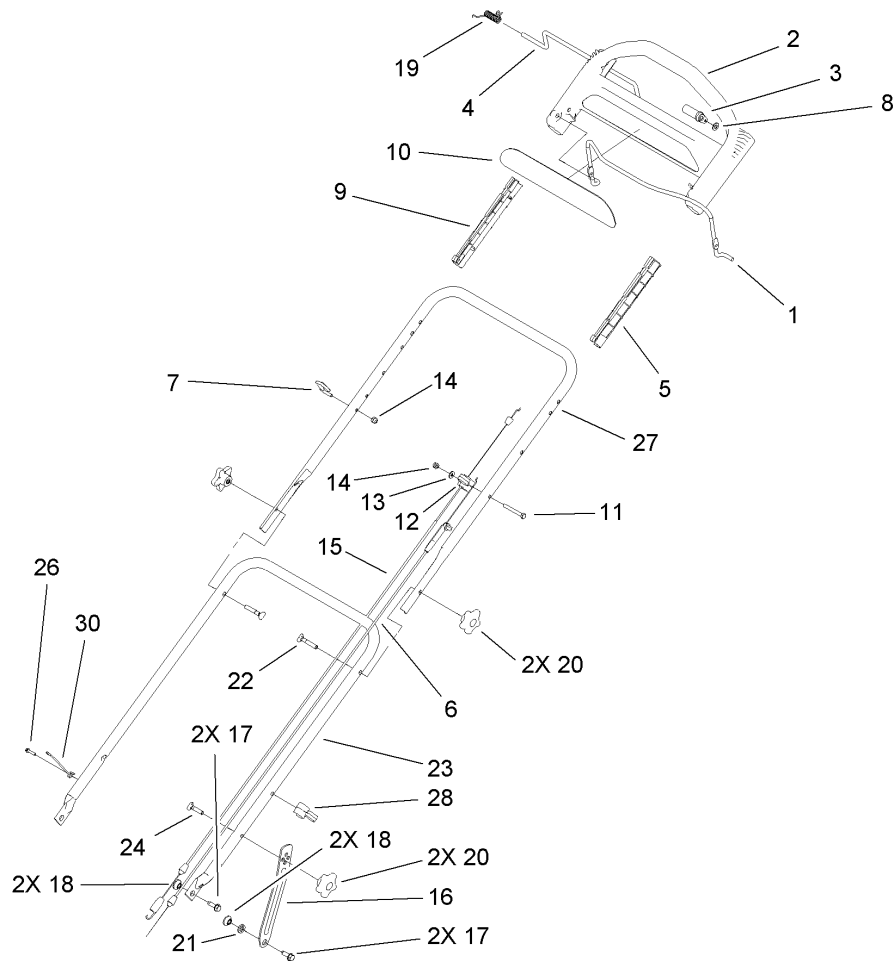
Ref	Part No.	Qty.	Description
1	104-7619	1	Case-Gear
2	614668-03	1	Cover-Case, Gear
3	32144-4	4	Screw-HWH
4	32151-68	1	Ring-Retaining
5	3256-24	1	Washer-Flat
6	3285-19	2	Pin-Groove
7	3296-5	1	Nut-Lock
8	36-4780	2	Washer
9	36-4791	2	Washer-Thrust
10	60-8750	2	Bushing
11	60-8850	2	Bushing
12	614696	1	Shaft-Intermediate
13	100-1176	2	Pulley-Half
14	100-1048	1	Bearing-Ball
15	62-6660	1	Spacer
16	104-1005	1	Gear-19T Spur, 37T Bevel
17	104-7667	1	Gear-Pinion, Bevel
18	104-1004	1	Gear-30T
19	108-8141	1	Shaft-Output

--	--	--	--



Engine Assembly

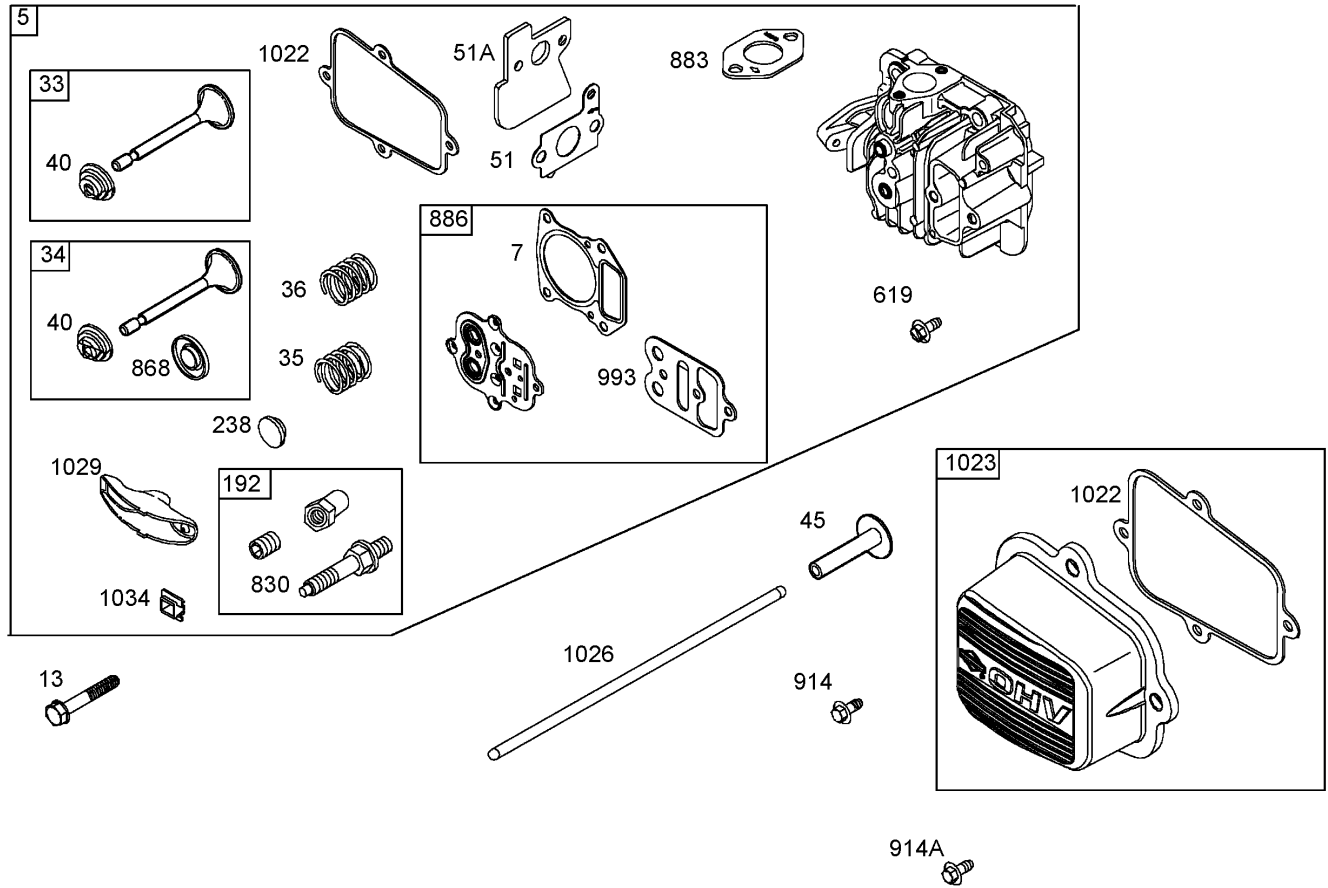
Ref	Part No.	Qty.	Description				
1	105-8579	1	Bolt-Blade				
2	105-6848-03	1	Accelerator-Blade				
3	106-3987	1	Blade Driver ASM				
4	106-3999	1	Spacer-Driver				
8	2210-316	1	Stop-Rope				
11	107-7489-03	1	Shield-Grass				
12	95-1727	3	Screw-Taptite				
13	108-8110-03	1	Guide-Belt				
15	108-3762-03	1	Blade-Recycling				
16		1	Engine-Briggs And Stratton, 122672-0192-E1				
18	112-6406	1	Decal-Intek Recoil				
19	108-8132	1	Decal				



Handle Assembly

Ref	Part No.	Qty.	Description
1	104-8679-03	1	Bail-Brake
2	104-8678	1	Handle-Control
3	99-1589	1	Lever-Traction
4	99-1588	1	Bar-Control, Traction
5	105-6842	1	Guide-LH
6	108-8157	1	Cable-Brake
7	86-9671	1	Guide-Rope
8	3256-23	1	Washer-Flat
9	105-6841	1	Guide-RH
10	108-8134	1	Decal-Handle
11	95-4453	1	Screw
12	99-5239	1	Anchor-Cable
13	3256-1	1	Washer-Flat
14	3296-73	2	Nut-Lock, NI
15	108-8158	1	Cable-Traction
16	108-8145-03	2	Support-Handle
17	701243	4	Screw-HWHTF
18	27-6600	4	Spacer-Coupling
19	104-8690	1	Spring-Torsion
20	108-8162	4	Knob-Locking
21	55-9670	2	Washer
22	92-2260	2	Screw-Handle
23	107-7476-05	1	Handle-Lower
24	92-2260	2	Screw-Handle

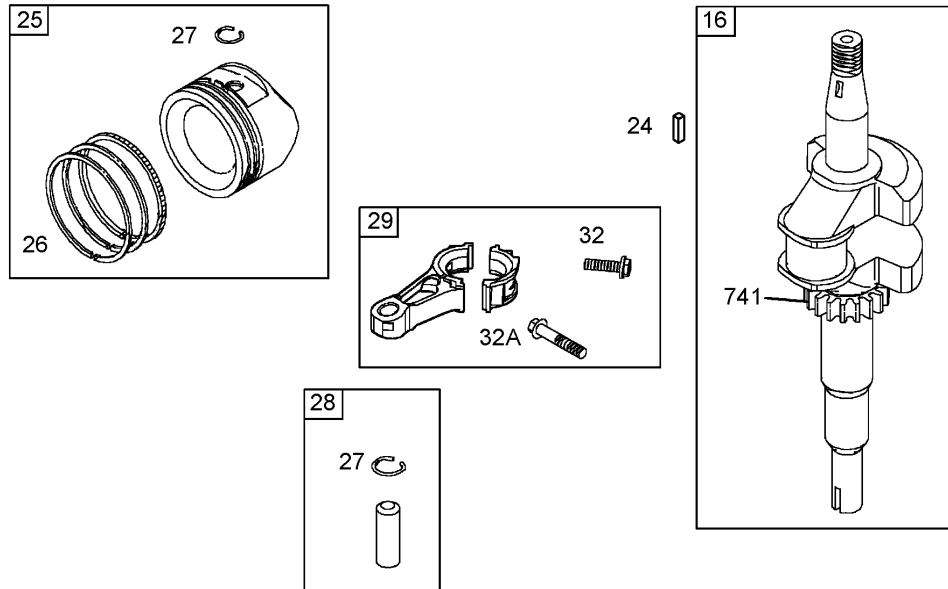
Ref	Part No.	Qty.	Description
26	32144-53	1	Screw-SHWH
27	107-3783-05	1	Handle-Upper
28	106-6805	1	Guide-Cable
30	108-9452	1	Hook-Rope, Displacement



Cylinder Head Assembly Briggs and Stratton 122672-0192-E1

Ref	Part No.	Qty.	Description
5	695276	1	Head-Cylinder
7	697230	1	Gasket-Head, Cylinder
13	691137	1	Screw (Cylinder Head)
33	499642	1	Valve-Exhaust
34	499641	1	Valve-Intake
35	691304	1	Spring-Valve (Intake)
36	691304	1	Spring-Valve (Exhaust)
40	692194	1	Retainer-Valve
45	690977	1	Valve-Tappet
51	692668	1	Gasket-Intake
51A	692799	1	Gasket-Intake
192	694543	1	Adjuster-Arm, Rocker
238	691300	1	Cap-Valve
619	691108	1	Screw (Cylinder Head Plate)
830	694544	1	Stud-Arm, Rocker
868	692044	1	Seal-Valve
883	691893	1	Gasket-Exhaust
886	696268	1	Cylinder Head/Plate Gasket Kit
914	691127	1	Screw (Rocker Cover)
914A	691108	1	Screw (Rocker Cover)
993	694088	1	Gasket-Plate, Cylinder Head
1022	691890	1	Gasket-Cover, Rocker
1023	692694	1	Cover-Rocker
1026	692045	1	Rod-Push

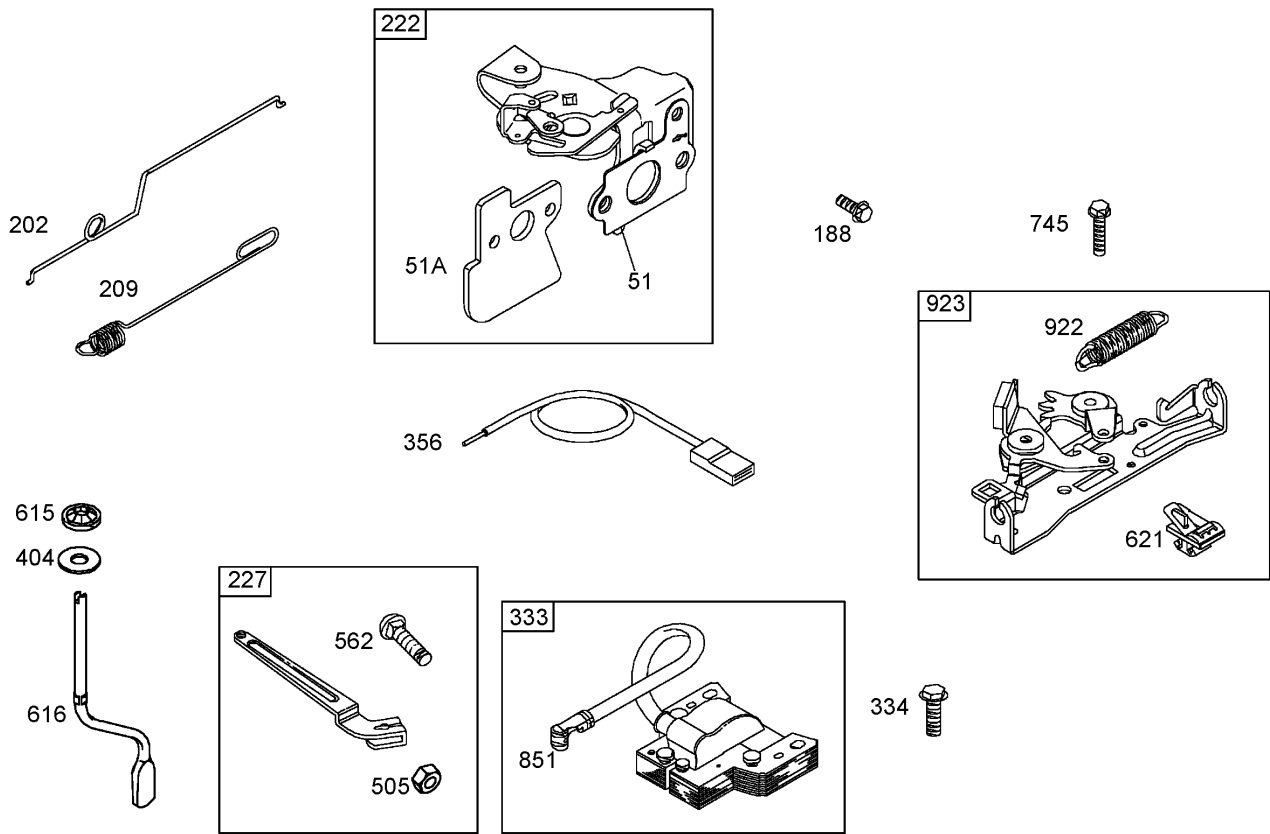
Ref	Part No.	Qty.	Description
1029	691230	1	Arm-Rocker
1034	691343	1	Guide-Rod, Push



Crankshaft Assembly Briggs and Stratton 122672-0192-E1

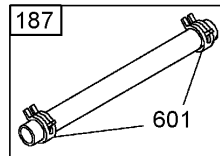
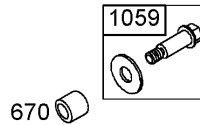
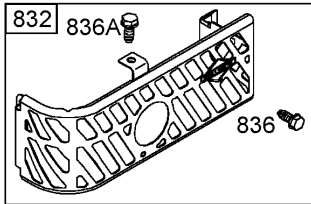
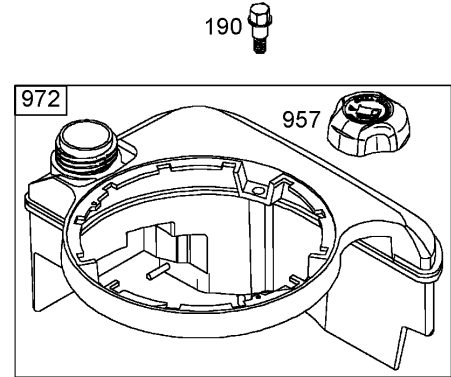
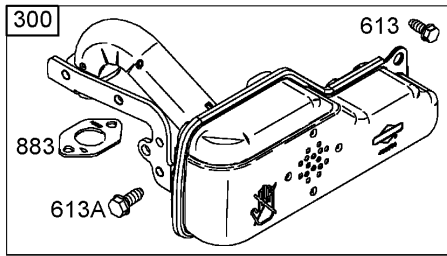
Ref	Part No.	Qty.	Description
16	695950	1	Crankshaft
24	222698	1	Key
25	499627	1	Piston ASM (Standard)
25	692789	1	Piston ASM (.020In Oversize)
26	499631	1	Ring Set (Standard)
26	692786	1	Ring Set (.020In Oversize)
27	691866	1	Lock-Pin, Piston
28	499423	1	Pin-Piston (Standard)
29	499424	1	Rod-Connecting (Standard)
32	691664	1	Screw (Connecting Rod)
32A	695759	1	Screw (Connecting Rod)
741	790345	1	Gear-Timing

--	--	--	--



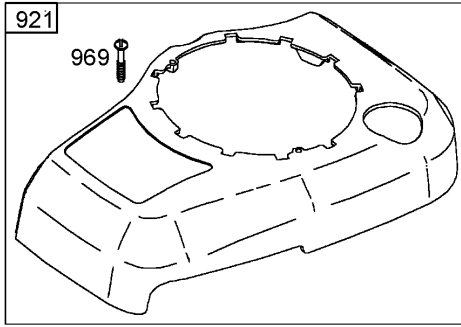
Governor Assembly Briggs and Stratton 122672-0192-E1

Ref	Part No.	Qty.	Description
51	692668	1	Gasket-Intake
51A	692799	1	Gasket-Intake
188	691147	1	Screw (Control Bracket)
202	691303	1	Link-Governor, Mechanical
209	690319	1	Spring-Governor
222	697614	1	Bracket-Control
227	690783	1	Lever-Control, Governor
333	802574	1	Armature-Magneto
334	691061	1	Screw (Magneto Armature)
356	692390	1	Wire-Stop
404	690272	1	Washer (Governor Crank)
505	691251	1	Nut (Governor Control Lever)
562	691119	1	Screw (Governor Control Lever)
615	690340	1	Retainer-Shaft, Governor
616	698801	1	Crank-Governor
621	692310	1	Switch-Stop
745	691648	1	Screw (Brake)
851	493880	1	Terminal-Spark Plug
922	691831	1	Spring-Brake
923	691994	1	Brake ASM

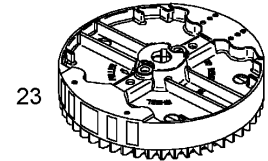
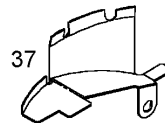
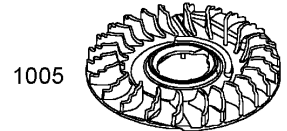
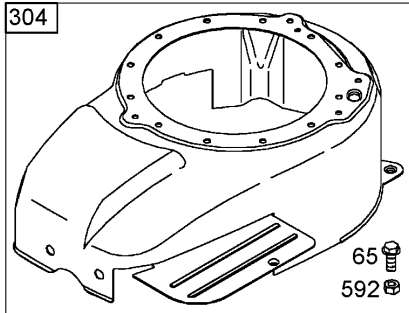
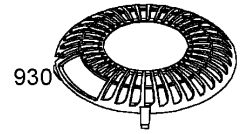


Muffler and Fuel Tank Assembly Briggs and Stratton 122672-0192-E1

Ref	Part No.	Qty.	Description
187	691050	1	Line-Fuel (Cut To Required Length)
190	690940	1	Screw (Fuel Tank)
300	694248	1	Muffler
601	95162	1	Clamp-Hose
613	691108	1	Screw (Muffler)
613A	691140	1	Screw (Muffler)
670	692294	1	Spacer-Tank, Fuel
832	691466	1	Guard-Muffler
836	697551	1	Screw (Muffler Guard)
836A	691147	1	Screw (Muffler Guard)
883	691893	1	Gasket-Exhaust
957	692046	1	Cap-Tank, Fuel
972	699374	1	Tank-Fuel
1059	692311	1	Screw/Washer Kit



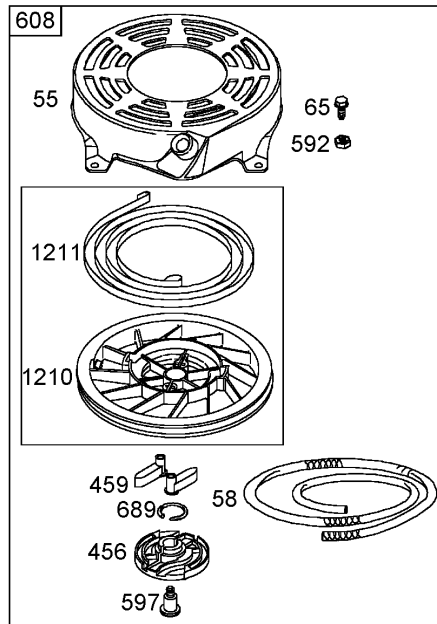
1036 EMISSION LABEL



Blower Housing Assembly Briggs and Stratton 122672-0192-E1

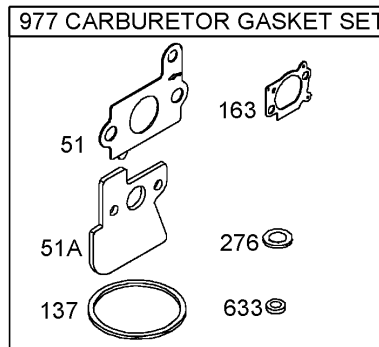
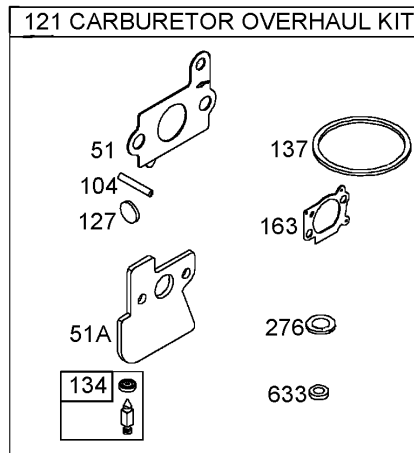
Ref	Part No.	Qty.	Description
● 23	696569	1	Flywheel
● 37	694086	1	Guard-Flywheel
● 65	690837	1	Screw (Rewind Starter)
● 78	691108	1	Screw (Flywheel Guard)
● 304	499677	1	Housing-Blower
● 305	690960	1	Screw (Blower Housing)
● 324	695161	1	Cup/Screen ASM
● 332	690662	1	Nut (Flywheel)
● 363	19069	1	Puller-Flywheel
● 592	690800	1	Nut (Rewind Starter)
● 921	692699	1	Cover-Housing, Blower
● 930	692691	1	Guard-Rewind
● 969	691138	1	Screw (Blower Housing Cover)
● 1005	691346	1	Fan-Flywheel
● 1036	790635	1	Label-Emission

--	--	--	--



Starter Assembly Briggs and Stratton 122672-0192-E1

Ref	Part No.	Qty.	Description				
⑤55	691421	1	Housing-Starter, Rewind				
⑤58	791362	1	Rope-Starter (Cut To Required Length)				
⑤65	690837	1	Screw (Rewind Starter)				
⑤456	692299	1	Plate-Friction, Pawl				
⑤459	281505	1	Ratchet-Pawl				
⑤592	690800	1	Nut (Rewind Starter)				
⑤597	691696	1	Screw (Pawl Friction Plate)				
⑤608	791363	1	Starter-Rewind				
⑤689	691855	1	Spring-Friction				
⑤1210	498144	1	Pulley/Spring ASM (Pulley)				
⑤1211	498144	1	Pulley/Spring ASM (Spring)				



Carburetor Overhaul Kit and Gasket Set Assemblies Briggs and Stratton 122672-0192-E1

Ref	Part No.	Qty.	Description
⑤51	692668	1	Gasket-Intake
⑤51A	692799	1	Gasket-Intake
⑤104	691242	1	Pin-Hinge, Float
⑤121	692703	1	Carburetor Overhaul Kit
⑤127	694468	1	Plug-Welch
⑤134	398188	1	Needle/Seat Kit
⑤137	693981	1	Gasket-Bowl, Float
⑤163	691894	1	Gasket-Cleaner, Air
⑤276	271716	1	Washer-Sealing
⑤633	691321	1	Seal (Choke/Throttle Shaft)
⑤977	692704	1	Gasket Set-Carburetor

Attachments and Accessories

For 20057 - Super Recycler Lawn Mower

Product Name

Model/Part

Bagging Blade 108-3759-03

NOTES

NOTES

NOTES

