



**Mid-Size ProLine
T-Bar, Gear Drive
17 HP with 44in Side Discharge Mower**

Model No. 30327 - 260000001 and up.

Parts Catalog

Ordering Replacement Parts

To order replacement parts, please supply the part number, the quantity, and the description of each part desired.

Understanding Reference Numbers

Each Identified part in an illustration has a reference number. The reference number for a part also appears in the parts list, along with other information about the part.

This catalog uses two special reference number formats, one to indicate parts in a service assembly and another to indicate the quantity of a given part in an illustration.

Service Assembly Reference Numbers

Parts in service assemblies have reference numbers in the form a:b. The a represents the reference number of the entire service assembly and the b represents a sequential number unique to each part within the service assembly.

For example, a wheel assembly might be identified by reference number 6, the tire by 6:1, the valve by 6:2, and the wheel by 6:3. When you order the assembly identified by reference number 6, you receive all parts identified by reference numbers 6:1, 6:2, and 6:3. However, you may also order any part individually. Reference numbers of this type appear in illustrations and in part lists.

Reference Numbers Indicating Quantity

In an illustration, if a reference number indicates more than one part, the reference number has the form nX y. The n represents the quantity of the part, the X is the multiplication symbol, and the y represents the reference number.

For example, in an illustration, the reference number 2X 37 means that two of the parts identified by reference number 37 are indicated.

Contents

Description	Page	Description	Page
Engine and Clutch Assembly 3	Piston and Crankshaft Assembly Kawasaki FH541V-BS30-R 20
Fuel Tank Assembly 4	Valve and Camshaft Assembly Kawasaki FH541V-BS30-R 22
Lower Control Assembly 5	Lubrication Equipment Assembly Kawasaki FH541V-BS30-R 24
Transmission Drive Assembly 6	Cooling Equipment Assembly Kawasaki FH541V-BS30-R 26
Wheel Drive and Brake Assembly 7	Electric Equipment Assembly Kawasaki FH541V-BS30-R 28
Upper Handle Assembly 8	Control Equipment Assembly Kawasaki FH541V-BS30-R 30
Control Panel Assembly 9	Carburetor Assembly Kawasaki FH541V-BS30-R 32
Carrier Frame Assembly 10	Starter Assembly Kawasaki FH541V-BS30-R 34
Spindle, Pulley and Belt Assembly 11	Fuel Tank and Valve Assembly Kawasaki FH541V-BS30-R 36
Spindle Assembly No. 106-0786 12	Label Assembly Kawasaki FH541V-BS30-R 37
Spindle Assembly No. 106-0784 13	Attachments and Accessories List 38
Belt Cover, Deflector and Roller Assembly 14		
Deflector Assembly No. 107-4194 15		
Drive Belt and Tensioner Assembly 16		
Air Filter and Muffler Assembly Kawasaki FH541V-BS30-R 17		
Cylinder and Crankcase Assembly Kawasaki FH541V-BS30-R 18		

Part Description Abbreviations

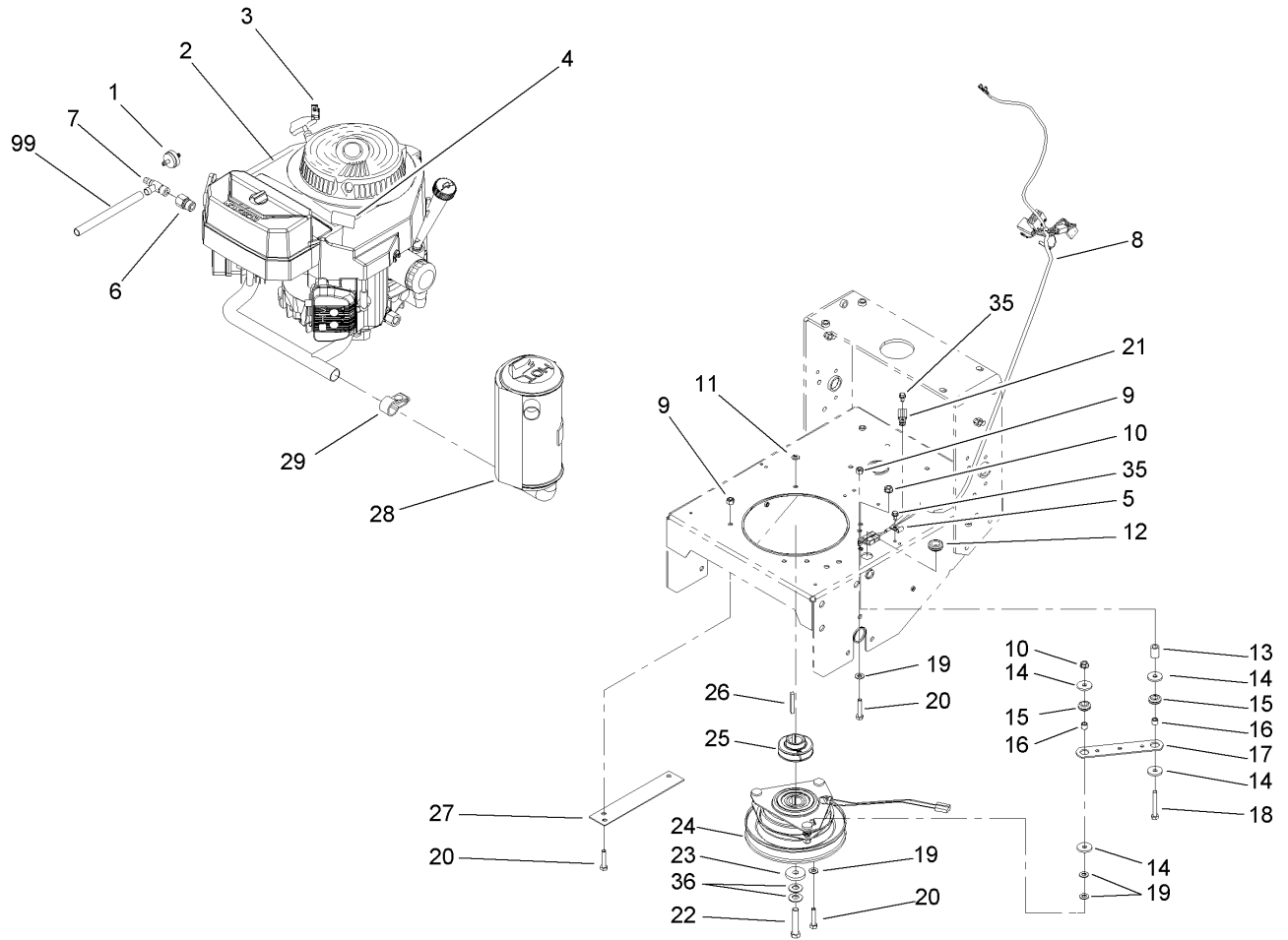
Part descriptions in this catalog may include the following abbreviations.

AR. as required	INC. incorporated
ASM. assembly	LH. left hand
BBC. blade brake clutch	NI. nylon insert
CARR. carriage	NPTF. national pipe thread fine
DEG. degrees	PFH. phillips flat head
EXT. external	PPH. phillips pan head
FH. flat head	PPHTF. phillips pan head thread forming
GA. gauge	PRH. phillips round head
HF. hex flange	PTH. phillips truss head
HH. hex head	PTO. power-take-off
HHF. hex head flange	RH. right hand
HHFTF. hex head flange thread forming	ROPS. roll-over-protection-system
HJ. hex jam	SFH. slotted fillister head
HLH. hex lag head	SHH. slotted hex head
HOC. height-of-cut	SHWH. slotted hex washer head
HSBH. hex socket button head	SPH. slotted pan head
HSFH. hex socket flat head	SQH. square head
HSH. hex socket head	SRH. slotted round head
HWH. hex washer head	STD. standard
HWHTF. hex washer head thread forming	TAP. self tapping
HYD. hydraulic	TTH. torx truss head

Footnotes

❶ Not serviced separately

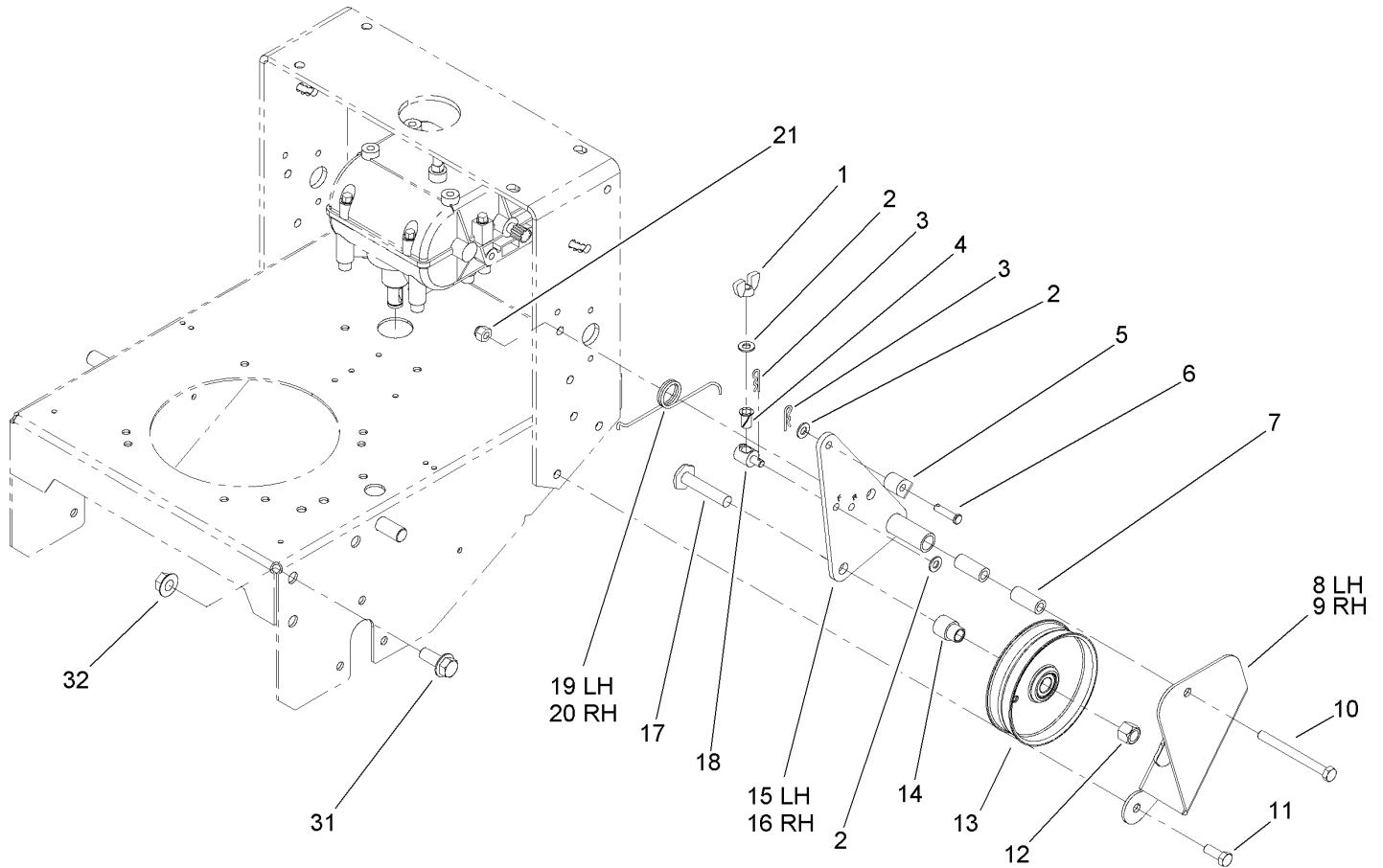
❷ Obtain from your local Kawasaki dealer



Engine and Clutch Assembly

Ref	Part No.	Qty.	Description
1	56-6360	1	Filter-Fuel
1 2		1	Engine-Kawasaki, FH541V-Bs30-R
3	2412-87	1	Clamp-Cable
4	106-0699	1	Decal-Warning, Hot Surfaces
5	2412-72	1	Clip-Closed, Insulated
6	103-1966	1	Adapter
7	103-1965	1	Valve-Drain, Oil
8	104-8137	1	Harness-Wire
9	3296-29	4	Nut-Lock, NI
10	32128-20	2	Nut-HF
11	3255-8	1	Washer-Lock
12	237-124	1	Grommet
13	104-6373	1	Tube-Retainer
14	1-613235	4	Washer
15	1-633630	2	Grommet-Brake
16	1-633545	2	Spacer
17	1-633543-03	1	Strap-Clutch, Brake
18	322-11	1	Screw-HH
19	3256-23	5	Washer-Flat
20	322-7	5	Screw-HH
21	2412-134	1	R-Clamp
22	3212-9	1	Screw-HH
23	107-4136	1	Washer

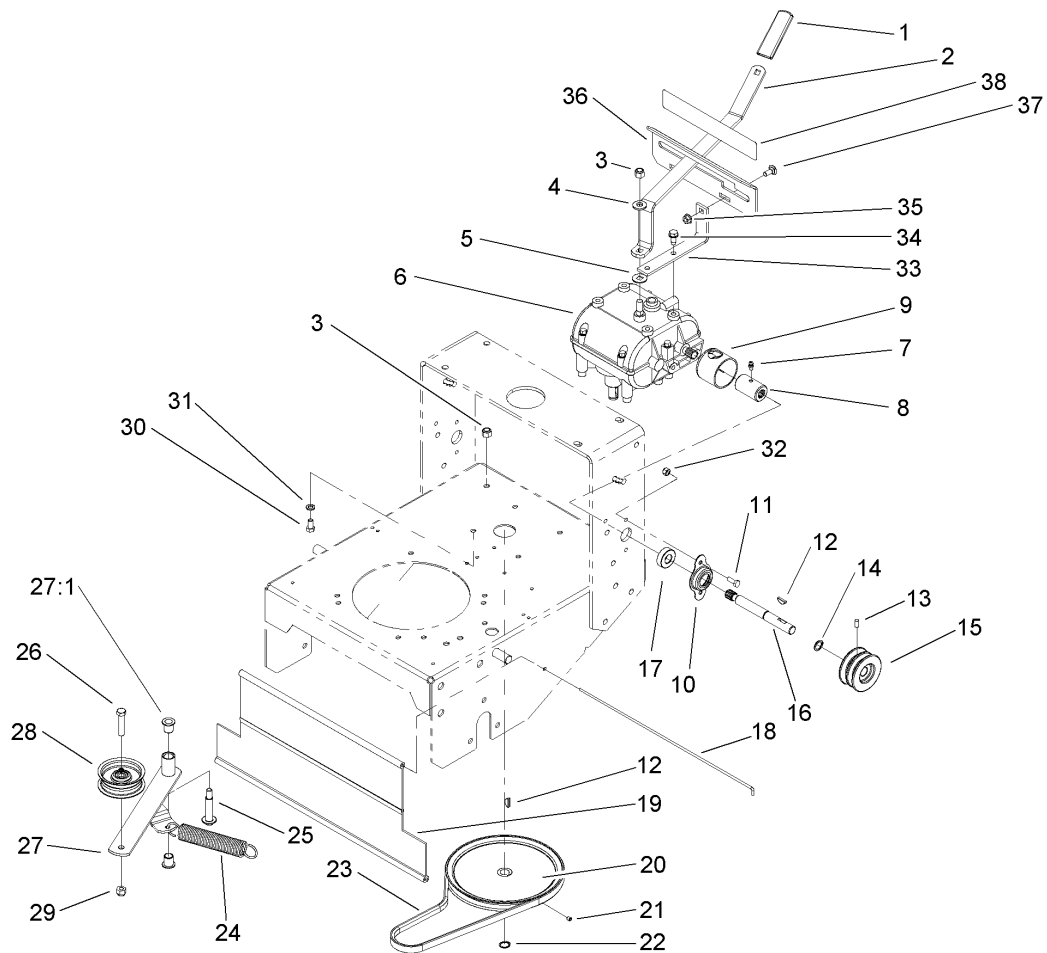
Ref	Part No.	Qty.	Description
24	105-2635	1	Clutch / Brake
25	107-4112	1	Pulley-Drive
26	608006	1	Key-Square
27	94-5847-01	1	Cover-Pulley
28	100-6467	1	Muffler
29	103-5465	1	Clamp-Muffler
35	12-3270	2	Screw
36	1-603610	2	Washer-Spring
99	103-1964	1	Hose-Drain, Oil



Lower Control Assembly

Ref	Part No.	Qty.	Description
1	32103-25	2	Nut-Wing
2	3256-23	6	Washer-Flat
3	3290-307	4	Pin-Hair
4	52-2890	2	Bushing-Nylon
5	74-0521	2	Fitting-Rod
6	283-6	2	Pin-Clevis
7	74-0040	4	Spacer-Pivot, Idler
8	67-6380-01	1	Bracket-Support, LH
9	67-6370-01	1	Bracket-Support, RH
10	323-16	2	Screw-HH
11	323-6	4	Screw-HH
12	3296-23	2	Nut-Lock, NI
13	95-2800	2	Pulley-Idler
14	95-2801	2	Spacer-Pulley
15	74-0220-01	1	Bracket-Idler, LH
16	74-0230-01	1	Bracket-Idler, RH
17	51-4450	2	Screw-Leveler
18	68-9690	2	Fitting-Rod
19	51-4380	1	Spring-Torsion, LH
20	51-4370	1	Spring-Torsion, RH
21	3296-39	6	Nut-Lock, NI
31	3234-32	6	Screw-HHF
32	32128-23	6	Nut-HF

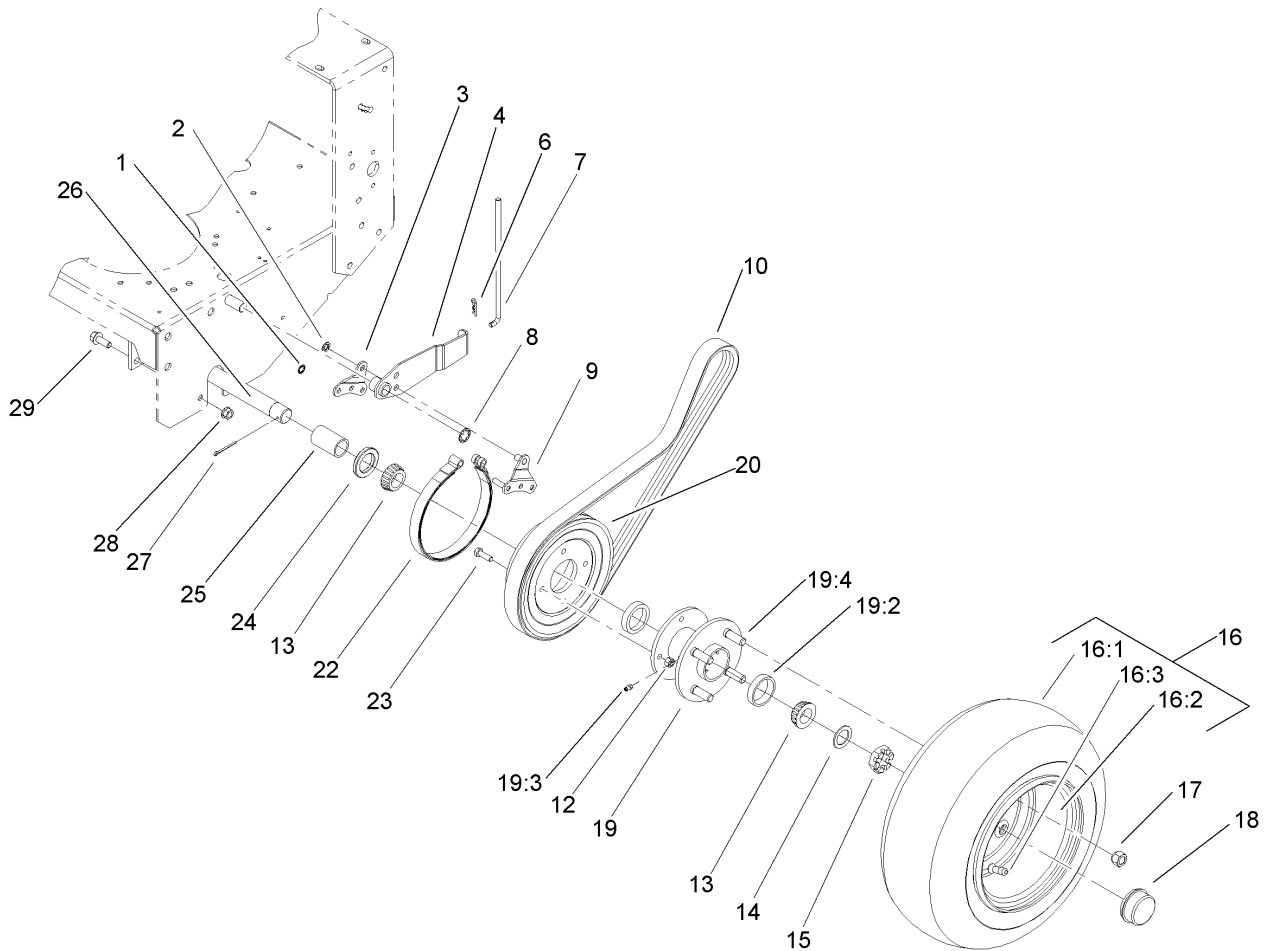
Ref	Part No.	Qty.	Description



Transmission Drive Assembly

Ref	Part No.	Qty.	Description
1	47-1970	1	Grip
2	98-3274-03	1	Lever-Shift
3	3296-6	2	Nut-Lock
4	98-5975	1	Washer-Belleville
5	1-323379	1	Washer
6	1-323500	1	Transmission
7	302-5	2	Fitting-Grease
8	1-323680	2	Coupler
9	51-4220	2	Guard-Coupler
10	1-323254	2	Flange-Output
11	321-4	4	Screw-HH
12	3257-5	3	Key-Woodruff
13	3245-9	2	Screw-Set
14	32151-62	2	Ring-Retaining
15	105-2698	2	Pulley-Transmission
16	104-1102	2	Shaft-Output
17	1-323252	2	Bearing-Shaft
18	95-1529	1	Rod-Shield
19	95-1526	1	Shield-Trailing
20	105-5646	1	Pulley-Driven
21	3245-1	1	Screw-Set, HSH
22	32120-64	1	Ring-Snap, External
23	105-5668	1	V-Belt
24	68-2190	1	Spring

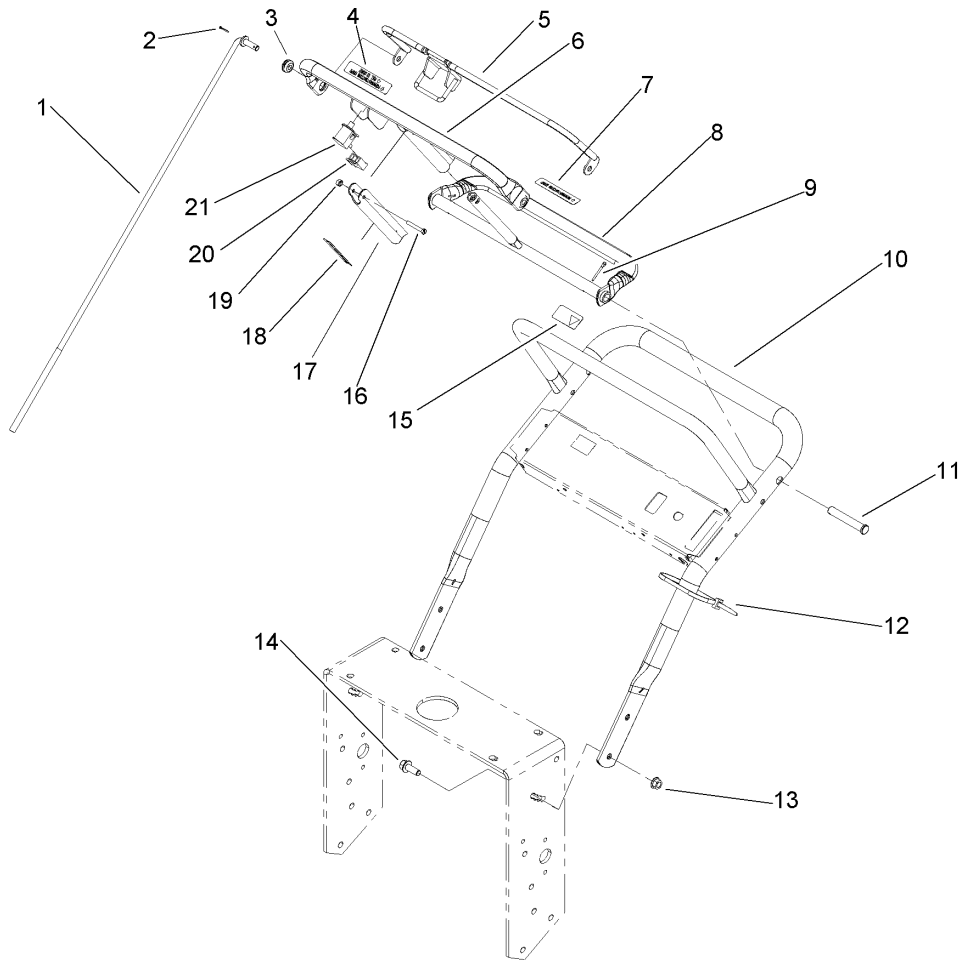
Ref	Part No.	Qty.	Description
25	27-6230	1	Bolt-Wheel
26	323-9	1	Screw-HH
27	16-7509	1	Lever-Idler
27:1	256-155	2	Bushing-Flange
28	62-4540	1	Pulley
29	3296-39	1	Nut-Lock, NI
30	322-2	4	Screw-HH
31	3253-4	4	Washer-Lock
32	3296-42	4	Nut-Lock, NI
33	1-323389-03	2	Bracket-Plate, Shift
34	9264964	4	Screw-HWH, Thread Cut
35	32128-20	2	Nut-HF
36	1-323387-03	1	Plate-Shift
37	3230-1	2	Bolt-CARR
38	98-3256	1	Decal-Speed, Ground



Wheel Drive and Brake Assembly

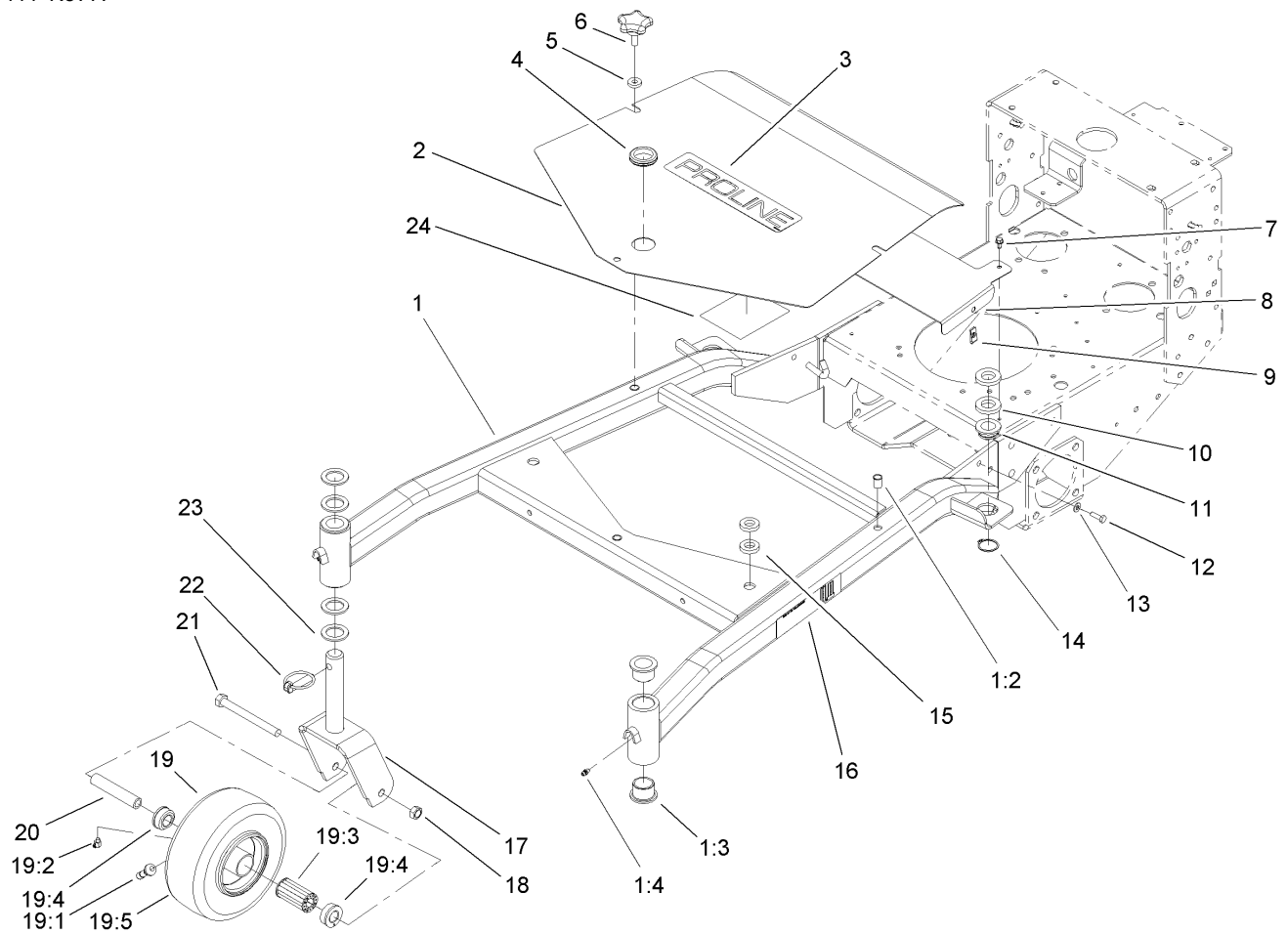
Ref	Part No.	Qty.	Description
1	32151-72	4	Ring-Retaining
2	32151-56	2	Ring-Retaining, External
3	106-8792	2	Plate-Link, Brake
4	106-8779-01	2	Brake Arm ASM
6	3290-307	2	Pin-Hair
7	51-4580	2	Rod-Brake
8	32151-40	2	Ring-Retaining
9	106-8773	2	Brake Link ASM
10	51-4290	2	V-Belt
12	3296-29	8	Nut-Lock, NI
13	254-94	4	Bearing-Cone, Tapered
14	1-523157	2	Washer-Spacer, 14 GA
15	1-809082	2	Nut-SHH
16	106-0892	2	Wheel And Tire ASM
16:1	104-6322	1	Tire
16:2	106-0893	1	Wheel
16:3	232-27	1	Stem-Valve
17	242-50	8	Nut-Lug
18	241-119	2	Cap-Dust
19	1-413333	2	Hub/Wheel ASM
19:2	254-72	2	Bearing-Cup, Tapered
19:3	302-19	1	Fitting-Grease
19:4	1-633926	4	Stud-Wheel
20	106-5544	2	Pulley-Wheel

Ref	Part No.	Qty.	Description
22	1-323262	2	Band-Brake
23	322-5	8	Screw-HH
24	1-543511	2	Seal-Grease
25	104-1197	2	Spacer-Wheel
26	104-1196-01	1	Axle ASM
27	1-806800	2	Pin-Cotter
28	32128-21	6	Nut-HF
29	3234-11	6	Screw-HHF



Upper Handle Assembly

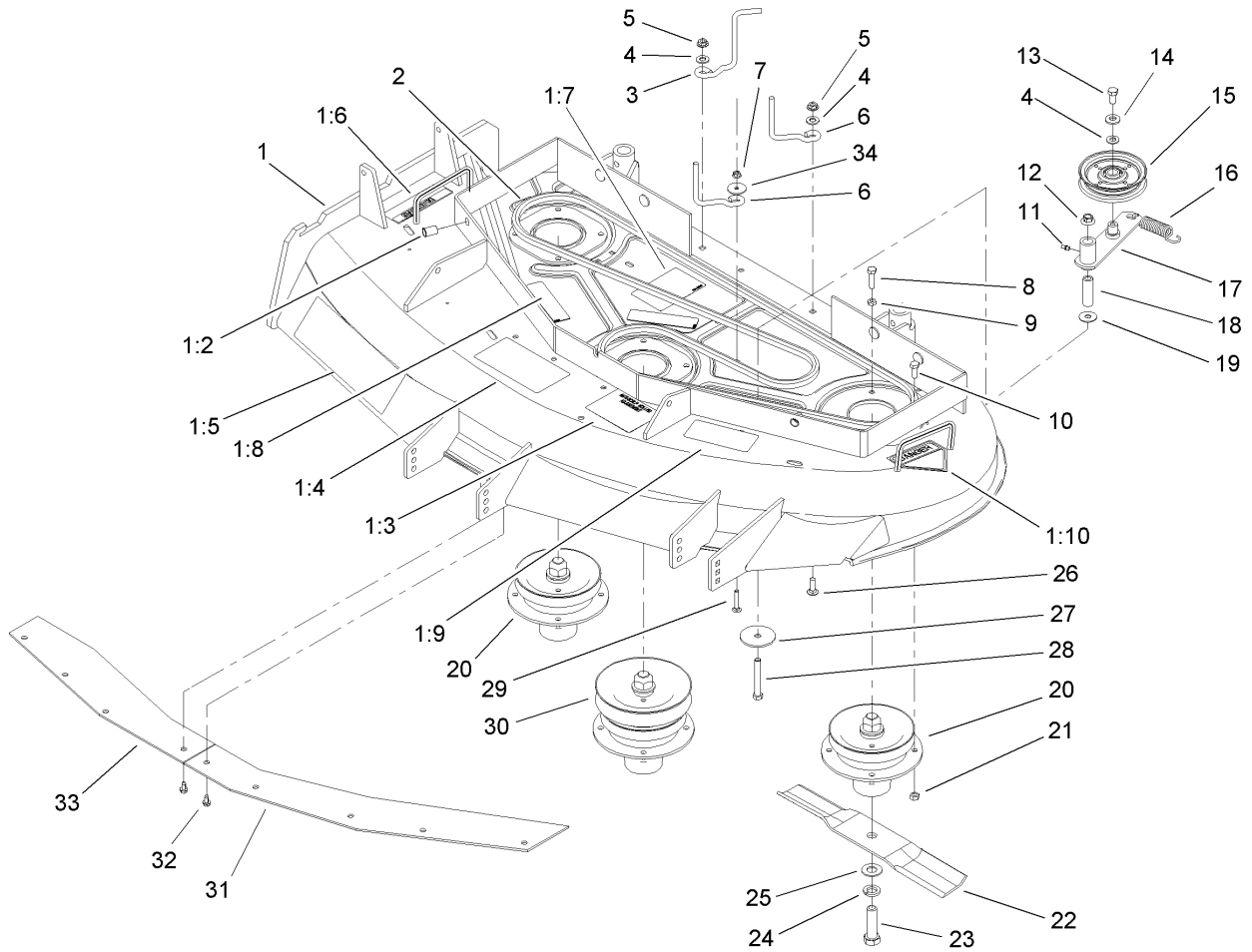
Ref	Part No.	Qty.	Description
1	105-4677	2	Rod-Control
2	3272-4	2	Pin-Cotter
3	237-141	2	Grommet-Rubber
4	82-2290	1	Decal
5	82-7680-03	1	Bail ASM
6	82-7690-03	1	Bar-Control
7	82-2280	1	Decal
8	106-5477-03	1	Control Pivot ASM
9	3272-11	2	Pin-Cotter
10	105-3158-03	1	Upper Handle ASM
11	283-55	2	Pin-Clevis
12	3290-378	1	Tie-Cable
13	32128-21	4	Nut-HF
14	3234-11	4	Screw-HHF
15	98-4387	1	Decal-Protection, Ear
16	32105-1	1	Screw-SHH
17	51-4850-03	1	Lever-Brake, Parking
18	52-2010	1	Decal-Lever, Parking
19	3296-2	1	Nut-Lock
20	218-595	1	Connector-Body
21	82-2190	1	Switch-Bail



Carrier Frame Assembly

Ref	Part No.	Qty.	Description
1	106-0707	1	Carrier Frame ASM
1:2	32148-9	3	Insert-Nut
1:3	94-1291	4	Bushing
1:4	302-5	2	Fitting-Grease
2	106-0537-01	1	Cover
3	106-0719	1	Decal
4	240-3	1	Grommet-Rubber
5	106-0565	3	Washer-Rubber
6	106-0887	3	Knob
7	12-3270	2	Screw
8	105-9389-01	1	Shield-Heat
9	3290-199	2	Nut-Speed
10	104-1105	4	Spacer-Support, Deck
11	1-513336	2	Bushing-Deck
12	321-5	2	Screw-HH
13	3256-22	2	Washer-Flat
14	32120-33	2	Ring-Retaining
15	1-323539	4	Spacer-Drive, Blade
16	106-0635	2	Decal-HOC
17	105-3159-01	2	Castor Fork ASM
18	32153-5	2	Nut-Lock, Side
19	100-6451	2	Caster Wheel ASM
19:1	232-27	1	Stem-Valve
19:2	302-11	1	Fitting-Lube, 45 DEG

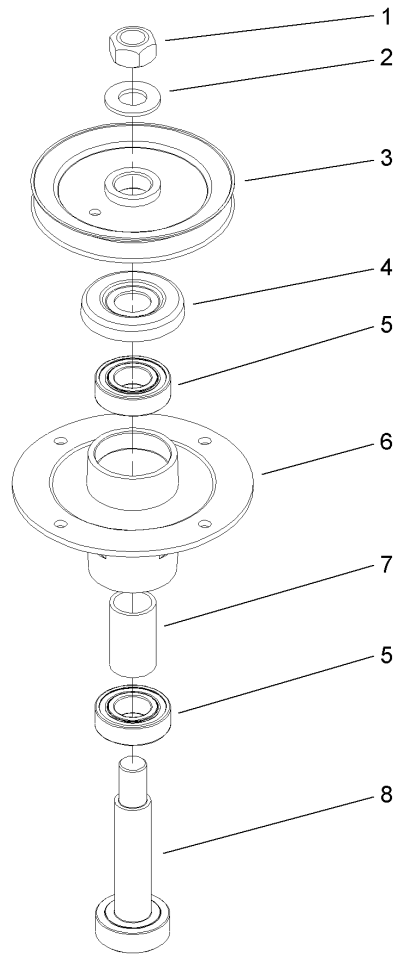
Ref	Part No.	Qty.	Description
19:3	83-4740	1	Bearing
19:4	62-5580	2	Bearing-Outside
19:5	100-6452	1	Tire-Tubeless
20	100-6453	2	Bushing-Spanner
21	325-19	2	Screw-HH
22	283-71	2	Pin-Lynch
23	3-6781	8	Washer-Thrust
24	106-5503	1	Decal-Service, Hydro (Tbar)
24	106-5505	1	Decal-Service, Gear (Tbar)
24	106-5511	1	Decal-Service, Gear (Pistol Grip)
24	106-5513	1	Decal-Service, Hydro (Pistol Grip)



Spindle, Pulley and Belt Assembly

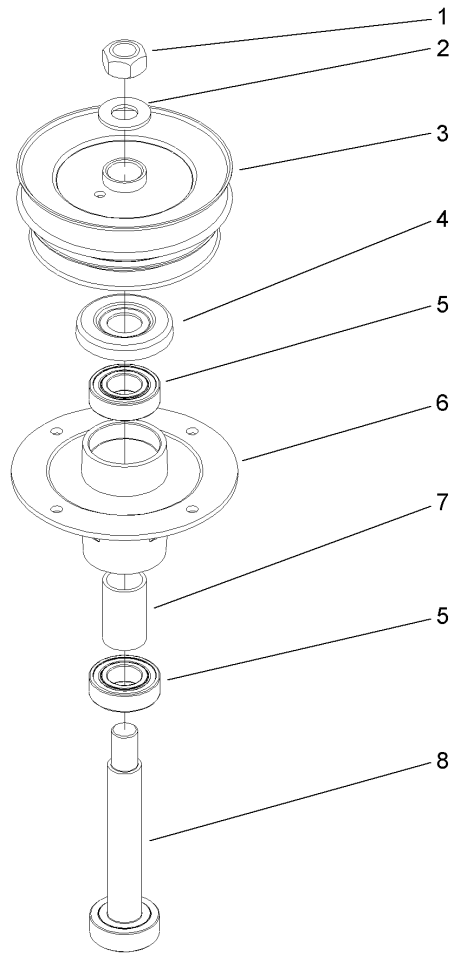
Ref	Part No.	Qty.	Description
1	107-4212	1	Deck ASM
1:2	32148-10	2	Insert-Threaded
1:3	106-5532	1	Decal-Anti Scalp
1:4	66-1340	1	Decal-Danger
1:5	106-0704	1	Decal
1:6	93-1122	1	Decal-Danger
1:7	104-8186	1	Decal-Routing, Belt
1:8	67-5360	3	Decal-Danger
1:9	68-8340	1	Decal-Torque
1:10	43-8480	1	Decal-Danger
2	27-1160	1	V-Belt
3	106-5488	1	Guide-Belt
4	3256-24	3	Washer-Flat
5	32128-13	2	Nut-HF
6	52-4780	2	Rod-Belt
7	32128-10	1	Nut-Lock, HHF
8	322-6	1	Screw-HH
9	3218-2	1	Nut-Jam
10	322-4	11	Screw-HH
11	302-19	1	Fitting-Grease
12	32128-19	1	Nut-HF
13	323-4	1	Screw-HH
14	98-5975	1	Washer-Belleville
15	65-5940	1	Pulley-Idler

Ref	Part No.	Qty.	Description
16	54-2730	1	Spring-Extension
17	104-8110	1	Idler Arm ASM
18	104-8113	1	Tube-Idler
19	52-2860	1	Washer
20	106-0786	2	Spindle Housing ASM
21	32152-1	12	Nut-Lock, Cone
22	54-0010-03	3	Blade
23	51-4060	3	Screw-Blade
24	3253-8	3	Washer-Lock
25	3256-27	3	Washer-Flat
26	3230-2	2	Bolt-CARR
27	20-9530	1	Washer-End
28	323-13	1	Screw-HH
29	3229-4	1	Screw-CARR
30	106-0784	1	Spindle Housing ASM
31	100-3258-03	1	Plate-Blowout, LH
32	12-3270	9	Screw
33	100-3257-03	1	Plate-Blowout, RH
34	1-503033	1	Washer-Retainer, Pulley



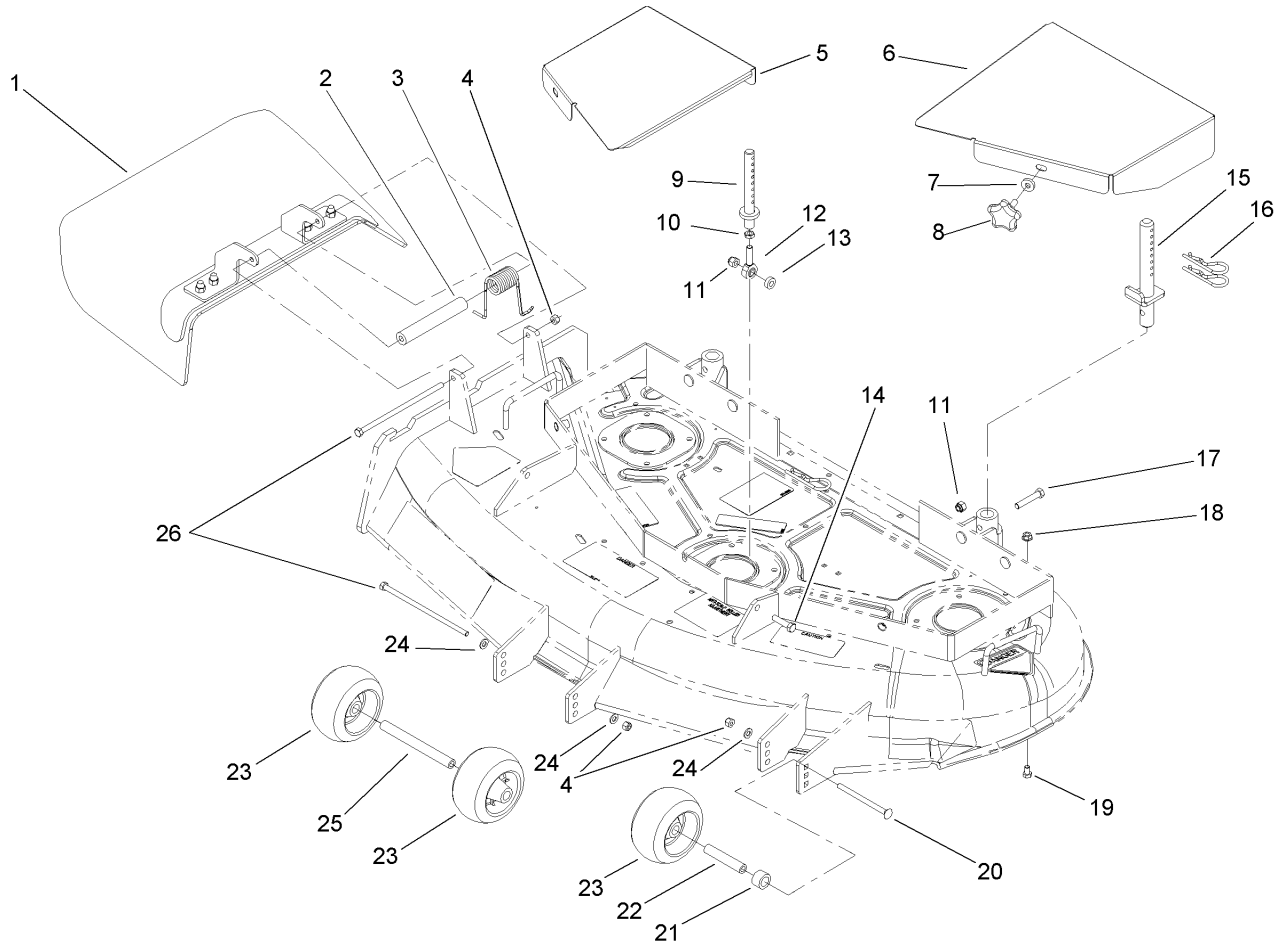
Spindle Assembly No. 106-0786

Ref	Part No.	Qty.	Description
1	3219-7	1	Nut-Hex
2	7-4150	1	Washer
3	104-1181	1	Pulley ASM
4	106-0873	1	Shield-Bearing
5	104-6325	2	Bearing
6	106-0818	1	Housing-Spindle
7	106-0794	1	Spacer-Bearing
8	106-0780	1	Shaft-Spindle



Spindle Assembly No. 106-0784

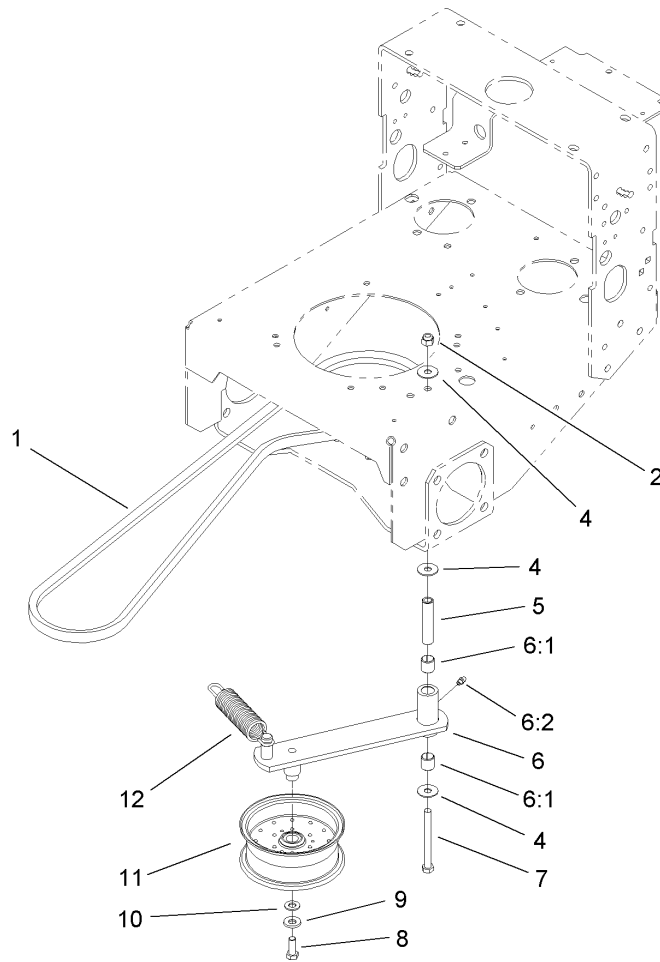
Ref	Part No.	Qty.	Description				
1	3219-7	1	Nut-Hex				
2	7-4150	1	Washer				
3	104-1116	1	Pulley And Hub ASM				
4	106-0873	1	Shield-Bearing				
5	104-6325	2	Bearing				
6	106-0818	1	Housing-Spindle				
7	106-0794	1	Spacer-Bearing				
8	106-0779	1	Shaft-Spindle				



Belt Cover, Deflector and Roller Assembly

Ref	Part No.	Qty.	Description
1	107-4194	1	Deflector ASM
2	105-4622	1	Spacer
3	104-8554	1	Spring-Torsion
4	3296-29	3	Nut-Lock, NI
5	106-3363-01	1	Cover-Belt, RH
6	106-3362-01	1	Cover-Belt, LH
7	106-0565	2	Washer-Rubber
8	106-0887	2	Knob
9	106-0684	2	Front Pin ASM
10	3220-3	2	Nut-Hex, Jam
11	3296-39	4	Nut-Lock, NI
12	1-613204	2	Balljoint
13	104-1156	2	Spacer
14	323-8	2	Screw-HH
15	106-3365	2	Rear Pin ASM
16	3290-256	6	Pin-Hair
17	323-10	2	Screw-HH
18	32128-20	4	Nut-HF
19	322-1	4	Screw-HH
20	3230-30	1	Screw-CARR
21	106-0563	1	Spacer-Wheel
22	106-0545	1	Bushing-Roller
23	1-603299	3	Roller-Scalp, Anti
24	3256-23	3	Washer-Flat

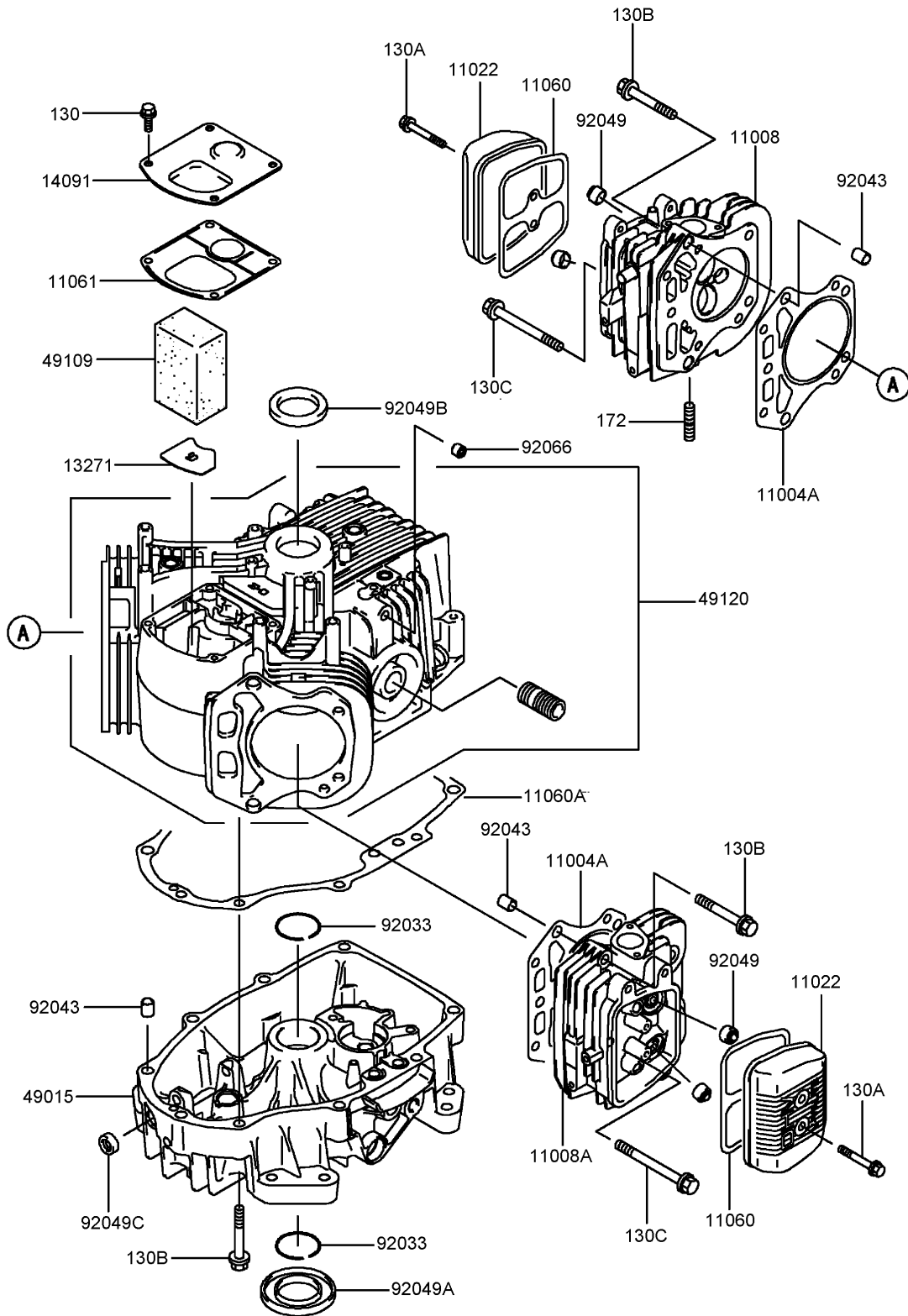
Ref	Part No.	Qty.	Description
25	98-5967	1	Spacer-Wheel
26	322-50	2	Screw-HH



Drive Belt and Tensioner Assembly

Ref	Part No.	Qty.	Description
1	104-8120	1	V-Belt, PTO
2	3296-39	1	Nut-Lock, NI
4	52-2860	3	Washer
5	104-6377	1	Tube-Idler
6	106-0734	1	Idler Arm ASM
6:1	1-513034	2	Sleeve-Bearing
6:2	302-5	1	Fitting-Grease
7	323-42	1	Screw-HH
8	323-6	1	Screw-HH
9	98-5975	1	Washer-Belleville
10	3256-24	1	Washer-Flat
11	1-413099	1	Pulley-Idler
12	105-8443	1	Spring-Extension

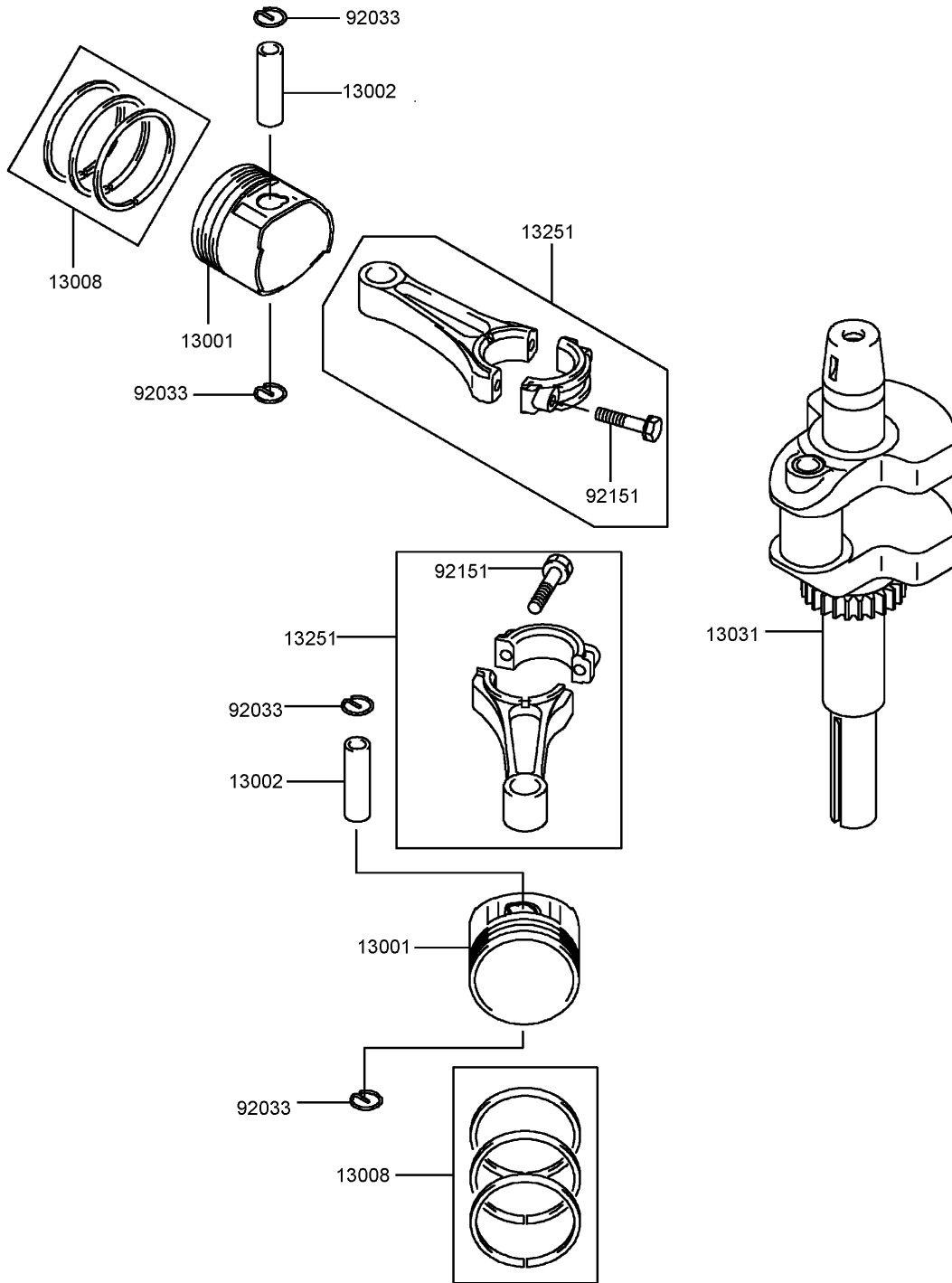
Cylinder and Crankcase Assembly Kawasaki FH541V-BS30-R



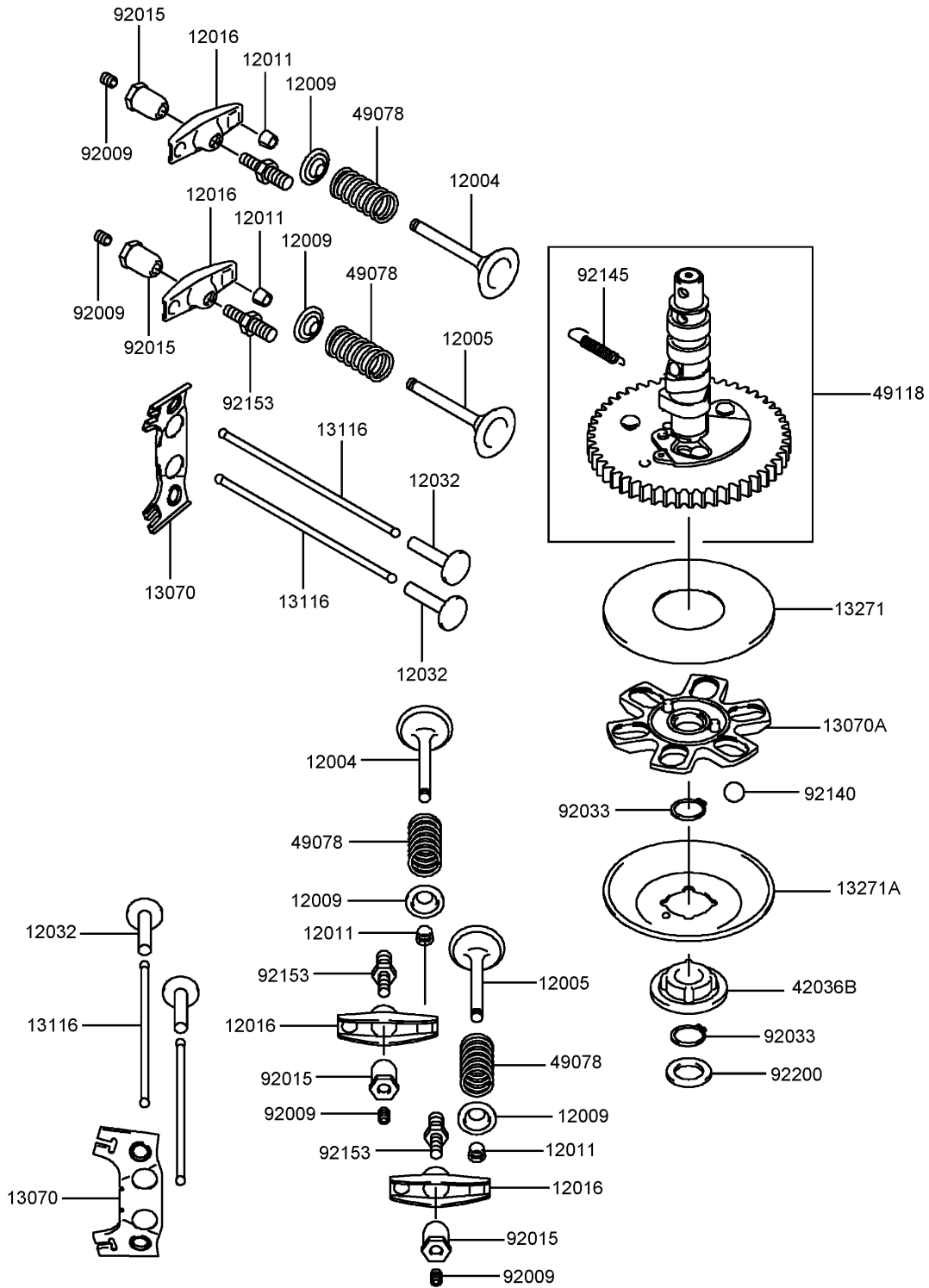
Cylinder and Crankcase Assembly Kawasaki FH541V-BS30-R

Ref	Part No.	Qty.	Description				
②11004A	11004-7016	2	Gasket-Head				
②11008	11008-6043	1	Head-Cylinder, No. 1				
②11008A	11008-7020	1	Head-Cylinder, No. 2				
②11022	11022-7003	2	Case-Rocker				
②11060	11060-7001	2	Gasket-Case, Rocker				
②11060A	11060-7008	1	Gasket-Cover, Crankcase				
②11061	11061-7001	1	Gasket-Breather				
②13271	13271-7016	1	Plate				
②14091	14091-7006	1	Cover				
②49015	49015-6253	1	Cover-Crankcase				
②49109	49109-7002	1	Element-Breather				
②49120	49120-7023	1	Crankcase				
②92033	92033-7003	2	Ring-Snap				
②92043	92043-7001	6	Pin				
②92049	92049-7001	4	Seal-Oil, Rvc2 (6X11X10.2)				
②92049A	92049-7015	1	Seal-Oil, Sd (35X62X8 L Hs)				
②92049B	92049-7016	1	Seal-Oil, Sd (35X48X8 R Hs)				
②92049C	92049-7019	1	Seal-Oil, So (8X14X5 Hs)				
②92066	92066-7002	1	Plug				
②130	130B0612	4	Bolt-Flanged				
②130A	130B0640	4	Bolt-Flanged				
②130B	130T0850	17	Bolt-Flanged				
②130C	130T0875	2	Bolt-Flanged				
②172	172G0818	4	Bolt-Stud				

Piston and Crankshaft Assembly Kawasaki FH541V-BS30-R



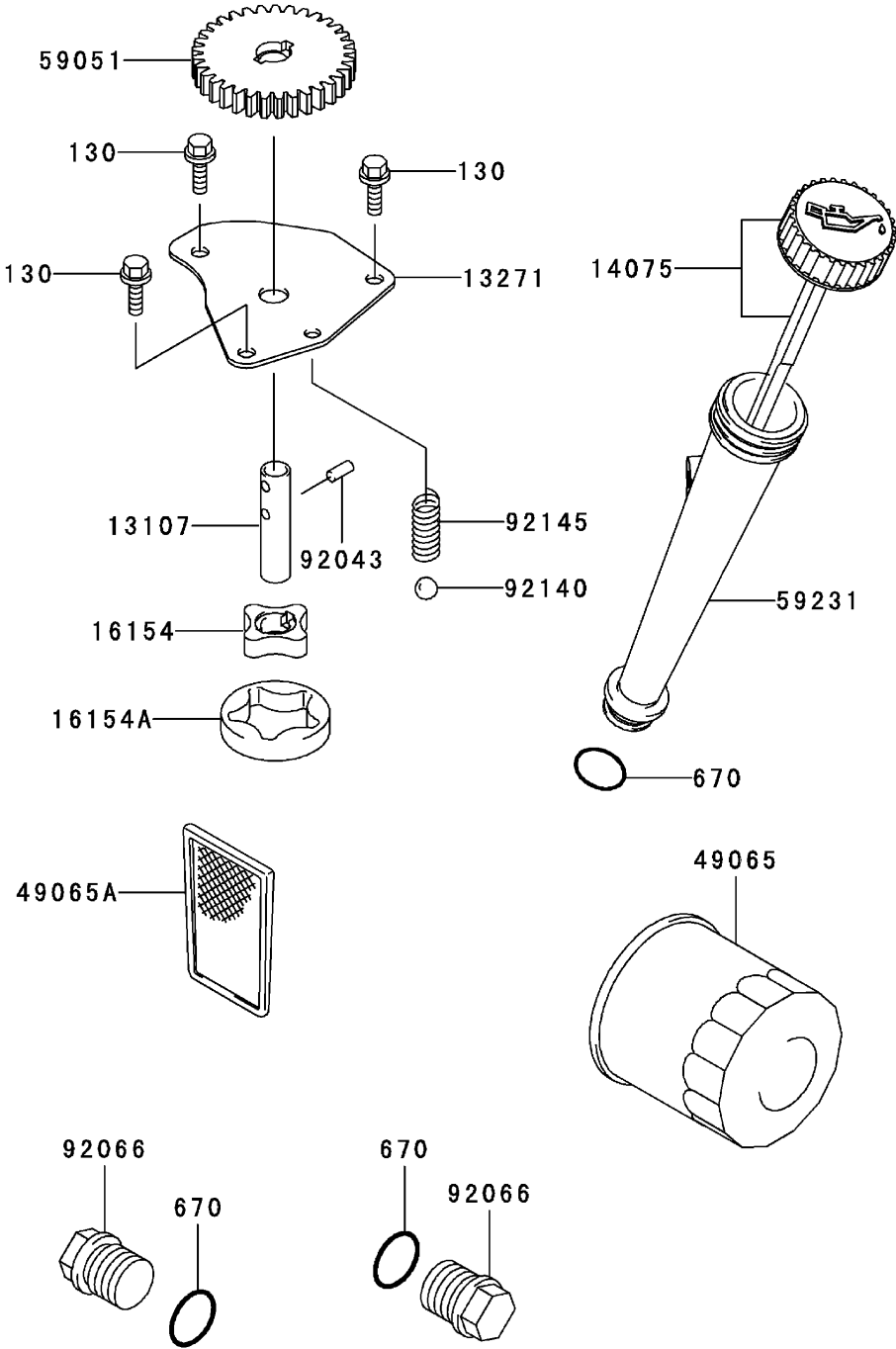
Valve and Camshaft Assembly Kawasaki FH541V-BS30-R



Valve and Camshaft Assembly Kawasaki FH541V-BS30-R

Ref	Part No.	Qty.	Description				
②12004	12004-7003	2	Valve-Intake				
②12005	12005-7003	2	Valve-Exhaust				
②12009	12009-7001	4	Retainer-Spring, Valve				
②12011	12011-2056	8	Collet				
②12016	12016-7001	4	Arm-Rocker				
②12032	12032-7001	4	Tappet				
②13070	13070-7001	2	Guide				
②13070A	13070-7004	1	Guide				
②13116	13116-2057	4	Rod-Push				
②13271	13271-7007	1	Plate				
②13271A	13271-7021	1	Plate-Governor				
②42036B	42036-7010	1	Sleeve				
②49078	49078-7001	4	Spring-Valve, Engine				
②49118	49118-7004	1	Camshaft				
②92009	92009-2341	4	Screw				
②92015	92015-2253	4	Nut				
②92033	92033-7001	2	Ring-Snap				
②92140	92140-7002	6	Ball				
②92145	92145-7001	1	Spring				
②92153	92153-7019	4	Bolt				
②92200	92200-7001	1	Washer				

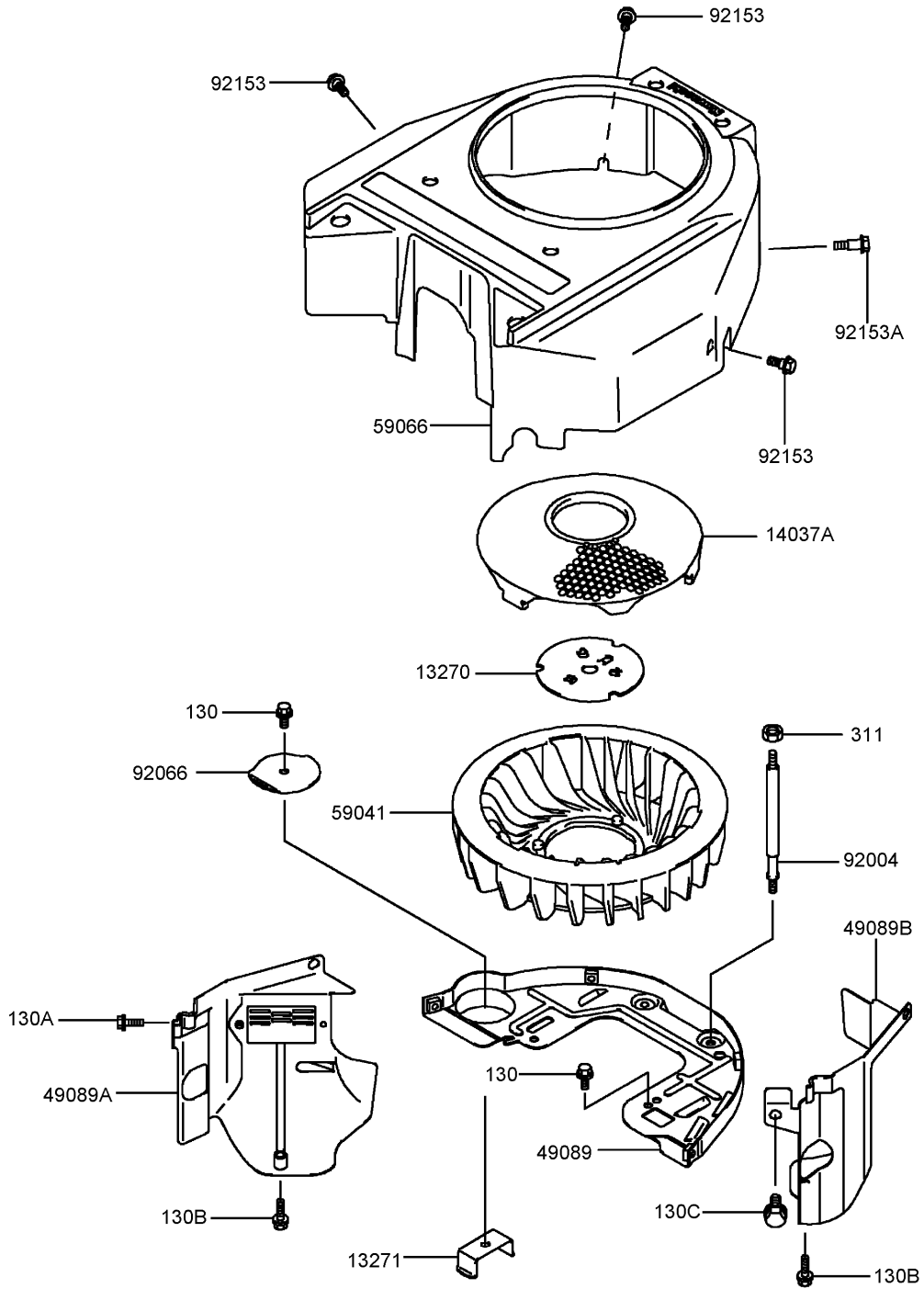
Lubrication Equipment Assembly Kawasaki FH541V-BS30-R



Lubrication Equipment Assembly Kawasaki FH541V-BS30-R

Ref	Part No.	Qty.	Description				
②13107	13107-7009	1	Shaft				
②13271	13271-7017	1	Plate				
②14075	14075-7009	1	Cap ASM				
②16154	16154-2053	1	Rotor-Pump (In)				
②16154A	16154-2054	1	Rotor-Pump (Out)				
②49065	49065-2078	1	Filter-Oil				
②49065A	49065-7004	1	Filter-Oil				
②59051	59051-7011	1	Gear-Spur				
②59231	59231-7005	1	Filler				
②92043	92043-7003	2	Pin				
②92066	92066-7003	2	Plug				
②92140	92140-7003	1	Ball				
②92145	92145-7002	1	Spring				
②130	130B0612	3	Bolt-Flanged				
②670	670D2016	3	O-Ring (16Mm)				

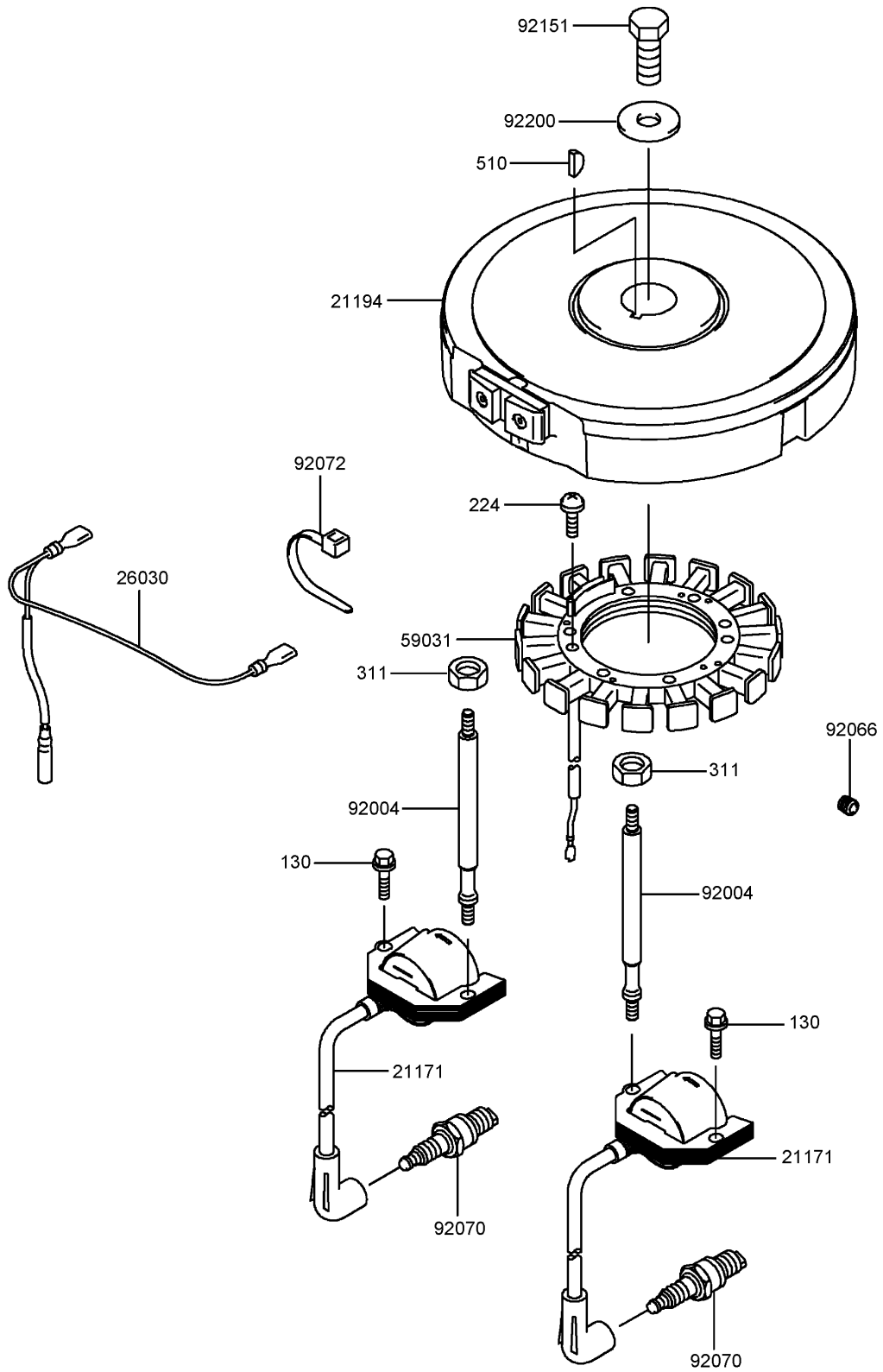
Cooling Equipment Assembly Kawasaki FH541V-BS30-R



Cooling Equipment Assembly Kawasaki FH541V-BS30-R

Ref	Part No.	Qty.	Description				
②13270	13270-7007	1	Plate				
②13271	13271-7002	1	Plate				
②14037A	14037-7025-9H	1	Screen				
②49089	49089-7032	1	Shroud-Engine				
②49089A	49089-7042	1	Shroud-Engine				
②49089B	49089-7043	1	Shroud-Engine				
②59041	59041-7010	1	Fan				
②59066	59066-7024	1	Housing-Fan				
②92004	92004-7006	2	Stud				
②92066	92066-7004	1	Plug				
②92153	92153-7007	3	Bolt				
②92153A	92153-7008	1	Bolt				
②130	130B0612	3	Bolt-Flanged				
②130A	130B0616	2	Bolt-Flanged				
②130B	130B0625	2	Bolt-Flanged				
②130C	130B0816	1	Bolt-Flanged				
②311	311B0600	2	Nut-Hex				

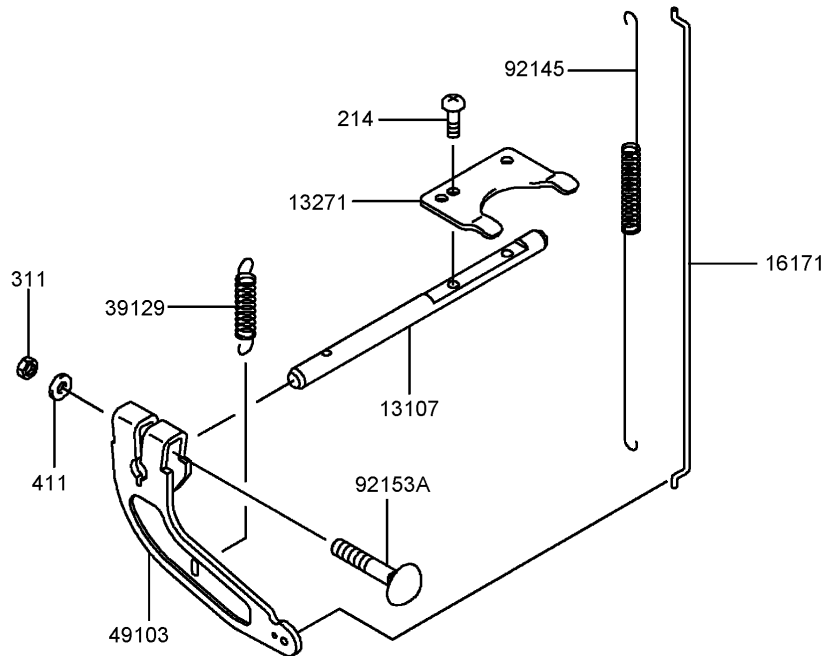
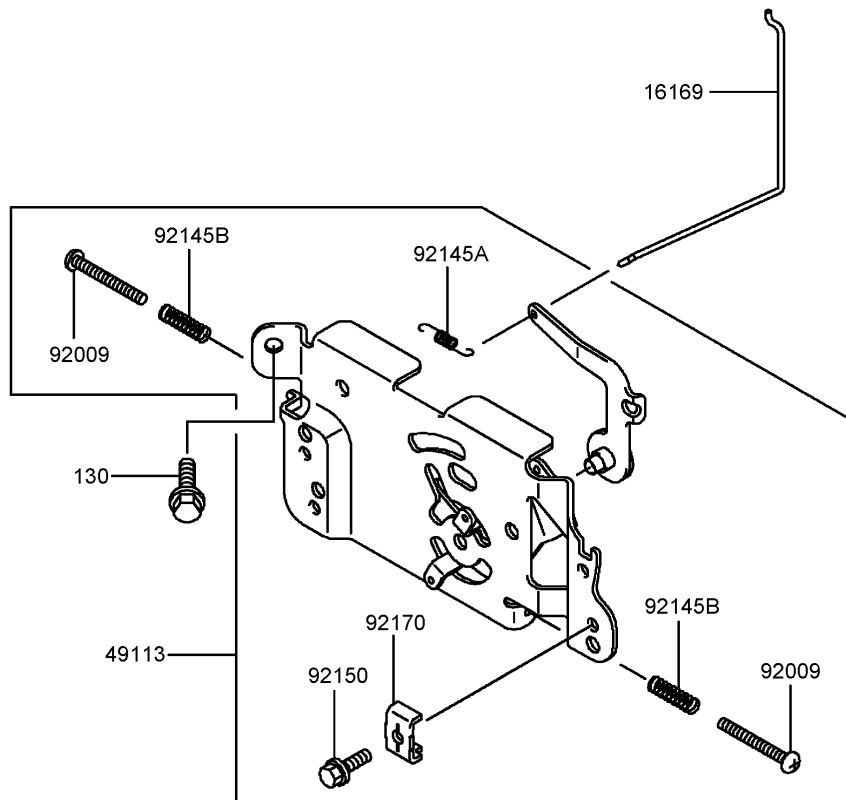
Electric Equipment Assembly Kawasaki FH541V-BS30-R



Electric Equipment Assembly Kawasaki FH541V-BS30-R

Ref	Part No.	Qty.	Description				
②21171	21171-7013	2	Ignition Coil ASM				
②21194	21194-7007	1	Flywheel-Comp				
②26030	26030-7001	1	Harness				
②59031	59031-7002	1	Coil-Charging				
②92004	92004-7009	2	Stud				
②92066	92066-7002	1	Plug				
②92070	92070-7003	2	Plug-Spark (Rcj8Y, Solid)				
②92072	92072-7003	2	Band				
②92151	92151-2097	1	Bolt (12X30)				
②92200	92200-7002	1	Washer				
②130	130B0620	2	Bolt-Flanged				
②224	224B0520	4	Screw-Pan				
②311	311B0600	2	Nut-Hex				
②510	510A5100	1	Key-Woodruff				

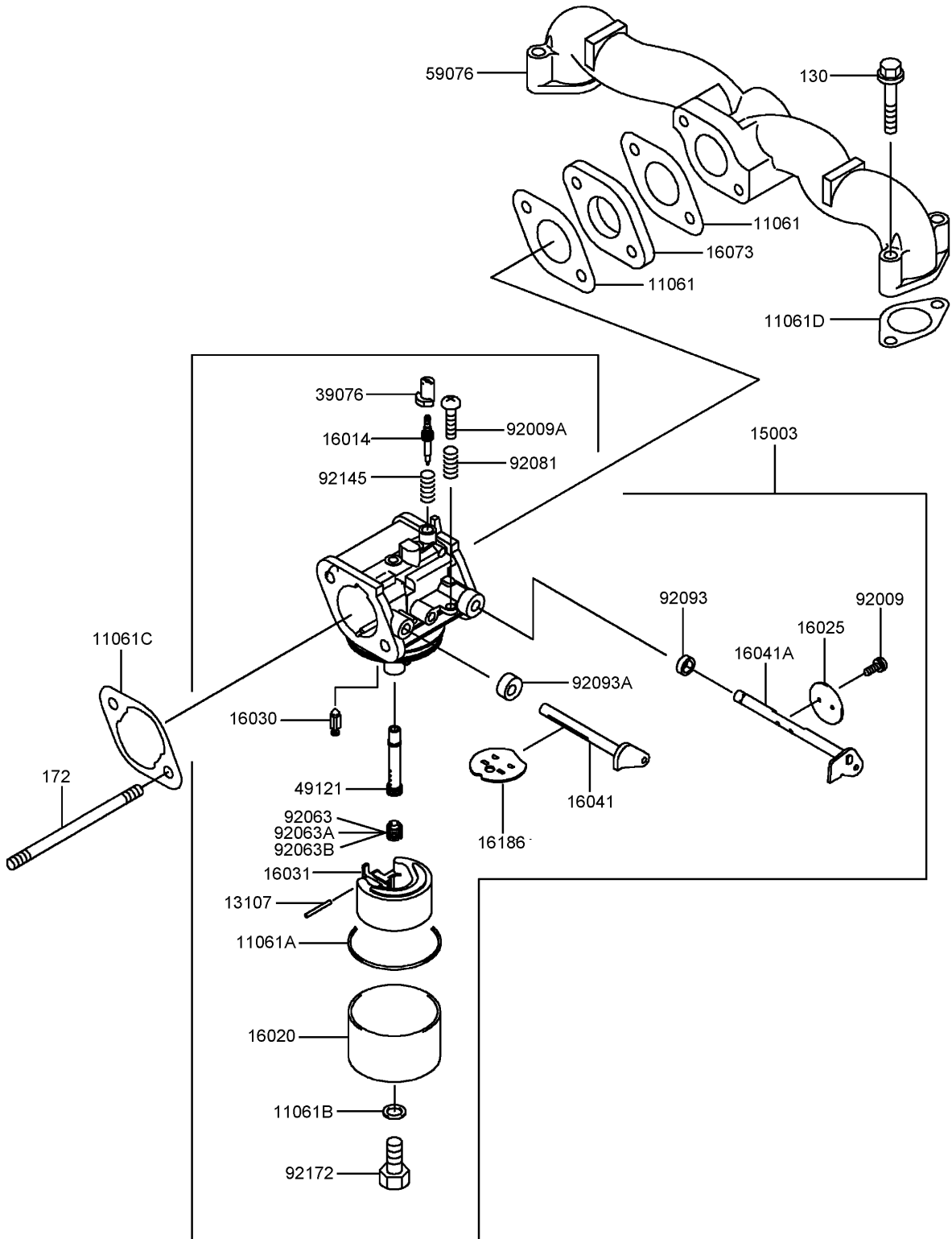
Control Equipment Assembly Kawasaki FH541V-BS30-R



Control Equipment Assembly Kawasaki FH541V-BS30-R

Ref	Part No.	Qty.	Description				
②13107	13107-7010	1	Shaft				
②13271	13271-7018	1	Plate				
②16169	16169-7010	1	Link-Choke				
②16171	16171-7001	1	Link				
②39129	39129-7003	1	Spring-Governor				
②49103	49103-7004	1	Arm-Governor				
②49113	49113-7027	1	Panel-Control				
②92009	92009-7007	2	Screw (4X35)				
②92145	92145-7003	1	Spring				
②92145A	92145-7004	1	Spring				
②92145B	92145-7005	2	Spring				
②92150	92150-2182	1	Bolt (5X18)				
②92153A	92153-7033	1	Bolt (6X35)				
②92170	92170-7001	1	Clamp				
②130	130B0612	2	Bolt-Flanged				
②214	214B0408	2	Screw-Pan				
②311	311B0600	1	Nut-Hex				
②411	411b0600	1	Washer-Plain				

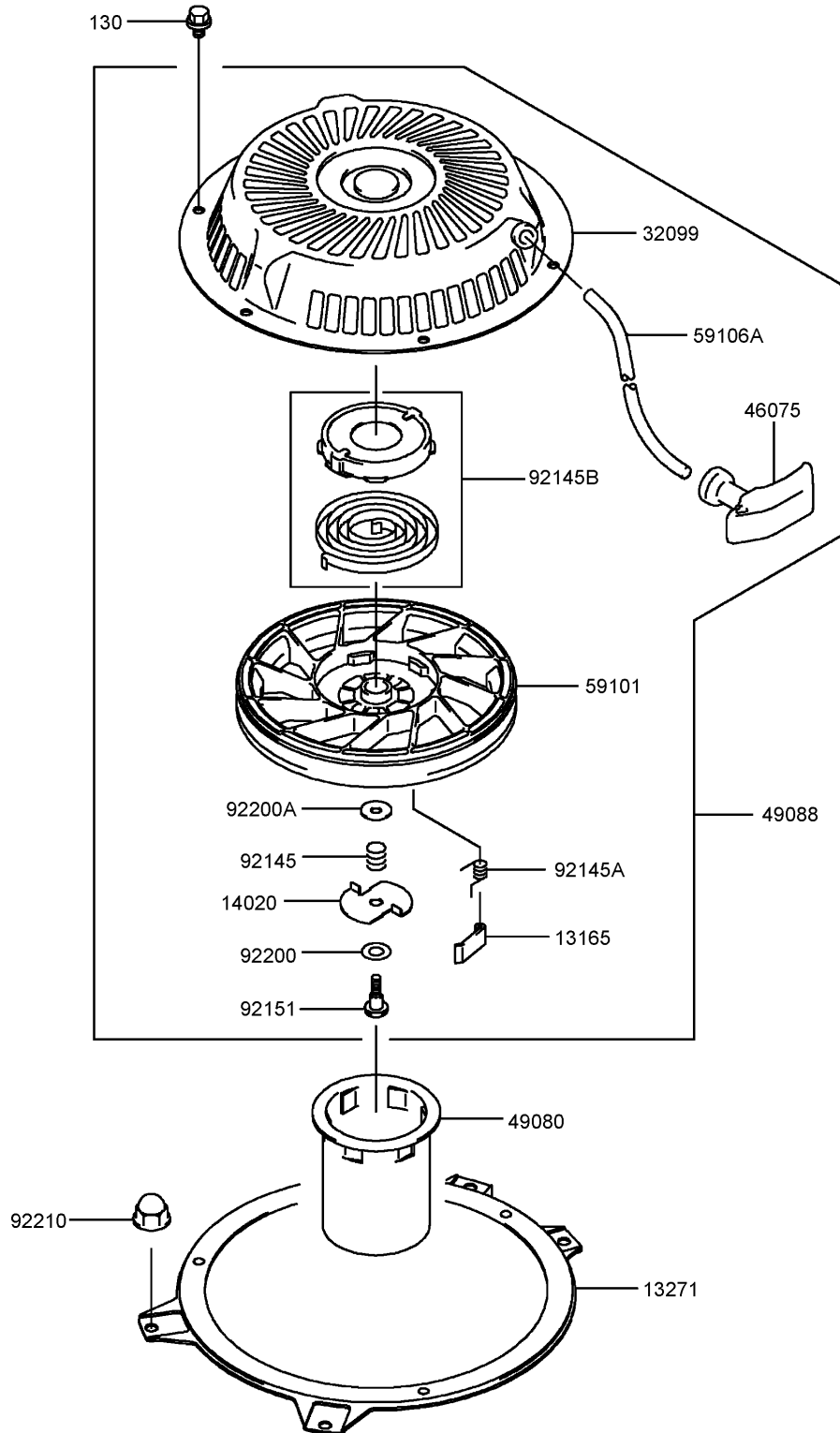
Carburetor Assembly Kawasaki FH541V-BS30-R



Carburetor Assembly Kawasaki FH541V-BS30-R

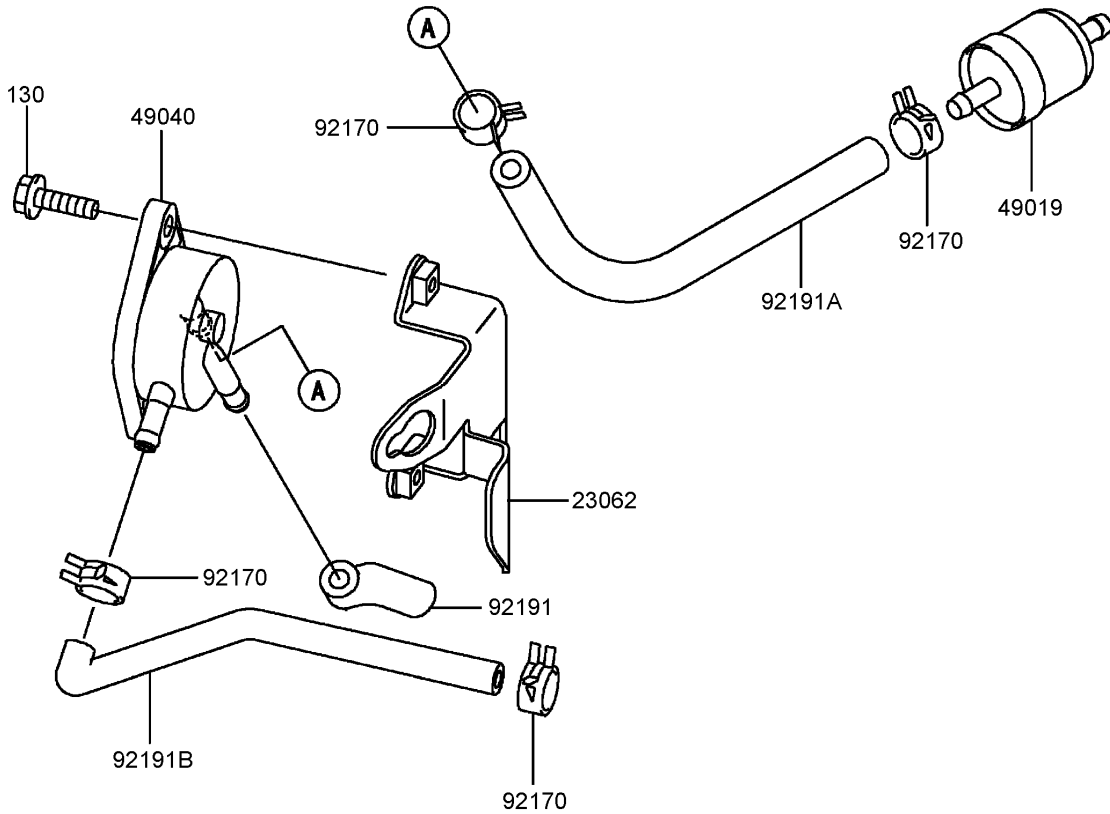
Ref	Part No.	Qty.	Description				
②11061	11061-7004	2	Gasket-Insulator				
②11061A	11061-7009	1	Gasket-Chamber				
②11061B	11061-7010	1	Gasket-Screw				
②11061C	11061-7018	1	Gasket-Cleaner, Air				
②11061D	11061-7019	2	Gasket				
②13107	13107-7018	1	Shaft				
②15003	15003-7107	1	Carburetor ASM				
②16014	16014-7007	1	Screw-Air, Pilot				
②16020	16020-7003	1	Chamber-Float				
②16025	16025-7006	1	Valve-Throttle				
②16030	16030-7003	1	Valve-Float				
②16031	16031-7002	1	Float				
②16041	16041-7016	1	Shaft-Choke, Carburetor				
②16041A	16041-7018	1	Shaft-Throttle, Carburetor				
②16073	16073-7007	1	Insulator				
②16186	16186-7004	1	Choke Valve ASM				
②39076	39076-7001	1	Limiter				
②49121	49121-7010	1	Nozzle-Main				
②59076	59076-7001	1	Manifold-Intake				
②92009	92009-2083	2	Screw				
②92009A	92009-2349	1	Screw				
②92063	92063-7062	1	Jet-Main, No.110				
②92063A	92063-7065	1	Jet-Main, No.112				
②92063B	92063-7066	1	Jet-Main, No.108				
②92081	92081-2234	1	Spring				
②92093	92093-2100	1	Seal				
②92093A	92093-7003	1	Seal				
②92145	92145-7015	1	Spring				
②92172	92172-7002	1	Screw				
②130	130B0635	4	Bolt-Flanged				
②172	172G0690	2	Bolt-Stud				

Starter Assembly Kawasaki FH541V-BS30-R



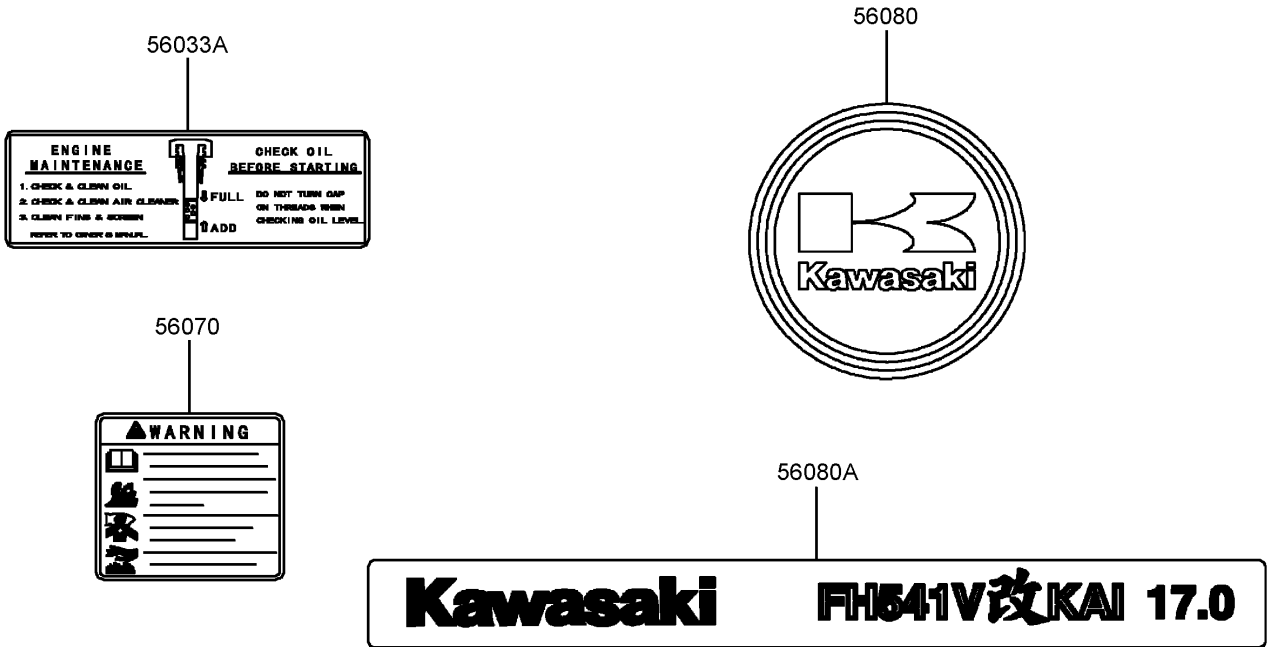
Starter Assembly Kawasaki FH541V-BS30-R

Ref	Part No.	Qty.	Description				
②13165	13165-7001	2	Pawl-Starter, Recoil				
②13271	13271-7003-9H	1	Plate				
②14020	14020-7001	1	Retainer				
②32099	32099-7002	1	Case-Recoil, Starter				
②46075	46075-7001	1	Grip-Recoil, Starter				
②49080	49080-7001	1	Pulley-Starting				
②49088	49088-7013	1	Starter-Recoil				
②59101	59101-7001	1	Reel-Recoil				
②59106A	59106-7005	1	Rope				
②92145	92145-7006	1	Spring				
②92145A	92145-7007	2	Spring				
②92145B	92145-7008	1	Spring				
②92151	92151-7008	1	Bolt				
②92200	92200-7004	1	Washer				
②92200A	92200-7005	1	Washer				
②92210	92210-0003	4	Nut				
②130	130B0608	3	Bolt-Flanged				



Fuel Tank and Valve Assembly Kawasaki FH541V-BS30-R

Ref	Part No.	Qty.	Description
②23062	23062-7004-9H	1	Bracket
②49019	49019-7001	1	Filter-Fuel
②49040	49040-7001	1	Pump-Fuel
②92170	92170-2088	4	Clamp
②92191	92191-7002	1	Tube
②92191A	92191-7003	1	Tube (6.35X12.7X160)
②92191B	92191-7004	1	Tube
②130	130B0620	2	Bolt-Flanged



Label Assembly Kawasaki FH541V-BS30-R

Ref	Part No.	Qty.	Description
②56033A	56033-7003	1	Label-Manual
②56070	56070-7001	1	Label-Warning
②56080	56080-2077	1	Label-Brand
②56080A	56080-7023	1	Label-Brand

--	--	--	--

Attachments and Accessories

For 30327 - Mid-Size ProLine T-Bar Gear, 17 HP with 44in Side Discharge Mower

Product Name	Model/Part
Atomic Blade	104-1300
Striping Kit	106-3370
Weight Kit	106-5491
Blade-Atomic, 15.5 Inch (6 Pack)	108-1116
Extra High Lift Blade 15.5 Inch (6 Pack)	108-1125
Soft Bag (3 Bushel)	30104
Steel Grass Catcher	30107
Tru Trak Sulky	30110
High Lift Blade	55-4940-03
Recycler Kit	59220
Recycler Kit (MS / ZRT)	59226
Recycler Blade	92-7952-03

NOTES

