



Z587L Z Master[®] With 60in TURBO FORCE[®] Side Discharge Mower

Model No. 74251 - 260000001 and up.

Parts Catalog

Ordering Replacement Parts

To order replacement parts, please supply the part number, the quantity, and the description of each part desired.

Understanding Reference Numbers

Each Identified part in an illustration has a reference number. The reference number for a part also appears in the parts list, along with other information about the part.

This catalog uses two special reference number formats, one to indicate parts in a service assembly and another to indicate the quantity of a given part in an illustration.

Service Assembly Reference Numbers

Parts in service assemblies have reference numbers in the form a:b. The a represents the reference number of the entire service assembly and the b represents a sequential number unique to each part within the service assembly.

For example, a wheel assembly might be identified by reference number 6, the tire by 6:1, the valve by 6:2, and the wheel by 6:3. When you order the assembly identified by reference number 6, you receive all parts identified by reference numbers 6:1, 6:2, and 6:3. However, you may also order any part individually. Reference numbers of this type appear in illustrations and in part lists.

Reference Numbers Indicating Quantity

In an illustration, if a reference number indicates more than one part, the reference number has the form nX y. The n represents the quantity of the part, the X is the multiplication symbol, and the y represents the reference number.

For example, in an illustration, the reference number 2X 37 means that two of the parts identified by reference number 37 are indicated.

Contents

Description	Page	Description	Page
Front Frame Assembly 3	Fuel Tank Assembly 28
Castor and Wheel Assembly 5	Electrical Components Assembly 29
Main Frame Assembly 6	Cylinder and Crankcase Assembly Kawasaki FD750D-BS03 30
Brake and Wheel Hub Assembly 7	Valve and Camshaft Assembly Kawasaki FD750D-BS03 32
Steering Control Assembly 8	Lubrication Equipment Assembly Kawasaki FD750D-BS03 34
Hydraulic System Assembly 9	Cooling Equipment Assembly Kawasaki FD750D-BS03 36
Seat and Roll-Over-Protection-System Assembly 11	Electric Equipment Assembly Kawasaki FD750D-BS03 38
Deluxe Seat Assembly No. 110-0838 12	Control Equipment Assembly Kawasaki FD750D-BS03 40
Roll-Over-Protection-System Assembly No. 108-1097 13	Carburetor Assembly Kawasaki FD750D-BS03 42
Deck Connection Assembly 14	Piston and Crankshaft Assembly Kawasaki FD750D-BS03 44
60 Inch Deck Assembly 15	Air Filter and Muffler Assembly Kawasaki FD750D-BS03 45
Spindle Assembly No. 106-3217 17	Starter Assembly Kawasaki FD750D-BS03 46
Deck Decal Assembly No. 107-1624 18	Fuel Pump and Filter Assembly Kawasaki FD750D-BS03 48
Rubber Deflector Assembly No. 108-2792 19	Attachments and Accessories List 49
Lever Assembly No. 107-1664 20		
Drive Idler Assembly 21		
Z-Stand Assembly 22		
Engine and Clutch Assembly 23		
Air Cleaner Assembly No. 95-5805 24		
Cooling System Assembly 25		
Hood Assembly 26		
Cooling Mounting Frame Assembly 27		

Part Description Abbreviations

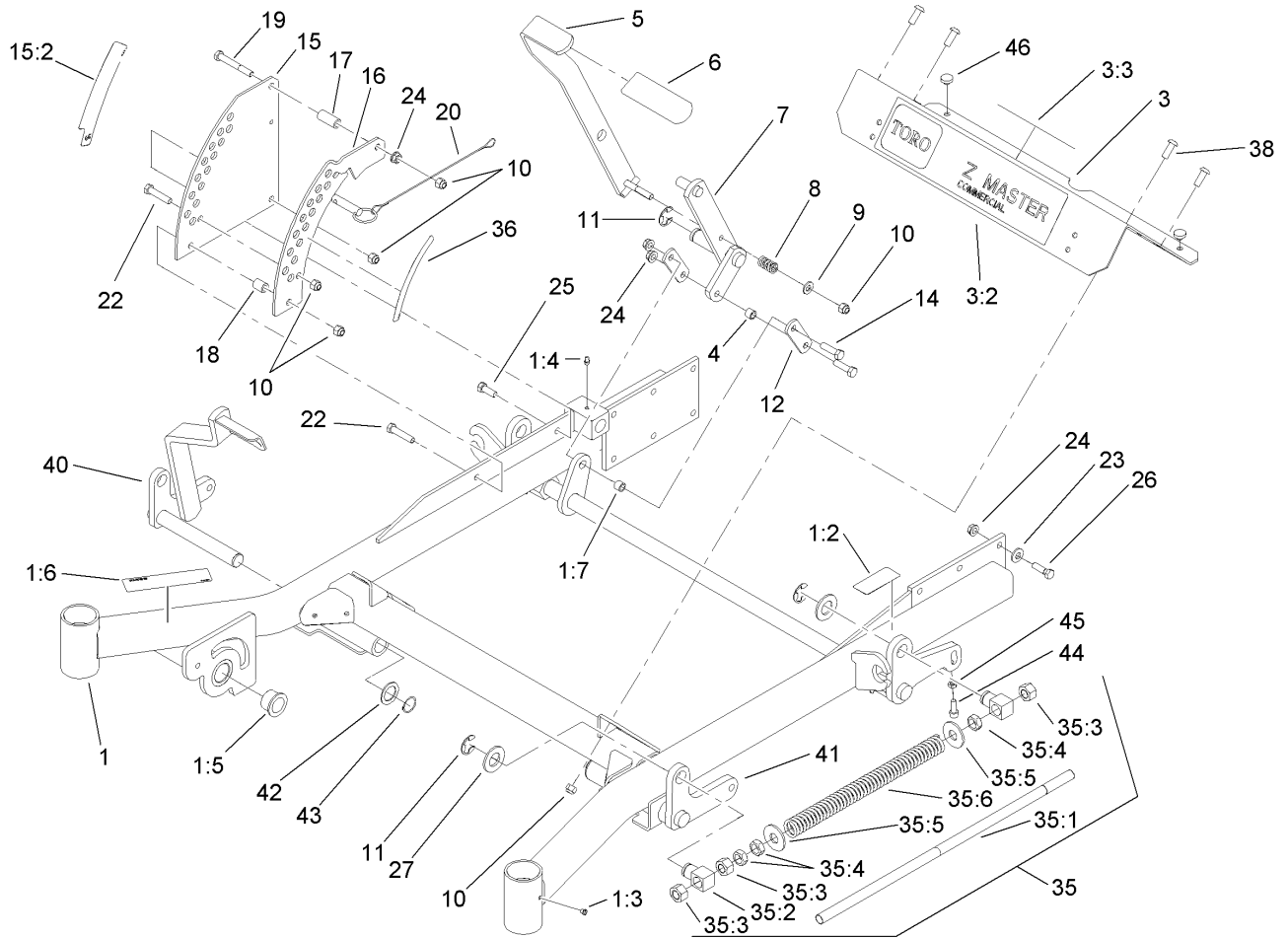
Part descriptions in this catalog may include the following abbreviations.

AR. as required	INC. incorporated
ASM. assembly	LH. left hand
BBC. blade brake clutch	NI. nylon insert
CARR. carriage	NPTF. national pipe thread fine
DEG. degrees	PFH. phillips flat head
EXT. external	PPH. phillips pan head
FH. flat head	PPHTF. phillips pan head thread forming
GA. gauge	PRH. phillips round head
HF. hex flange	PTH. phillips truss head
HH. hex head	PTO. power-take-off
HHF. hex head flange	RH. right hand
HHFTF. hex head flange thread forming	ROPS. roll-over-protection-system
HJ. hex jam	SFH. slotted fillister head
HLH. hex lag head	SHH. slotted hex head
HOC. height-of-cut	SHWH. slotted hex washer head
HSBH. hex socket button head	SPH. slotted pan head
HSFH. hex socket flat head	SQH. square head
HSH. hex socket head	SRH. slotted round head
HWH. hex washer head	STD. standard
HWHTF. hex washer head thread forming	TAP. self tapping
HYD. hydraulic	TTH. torx truss head

Footnotes

- ❶ Not illustrated
- ❷ Obtain from your local Kawasaki dealer

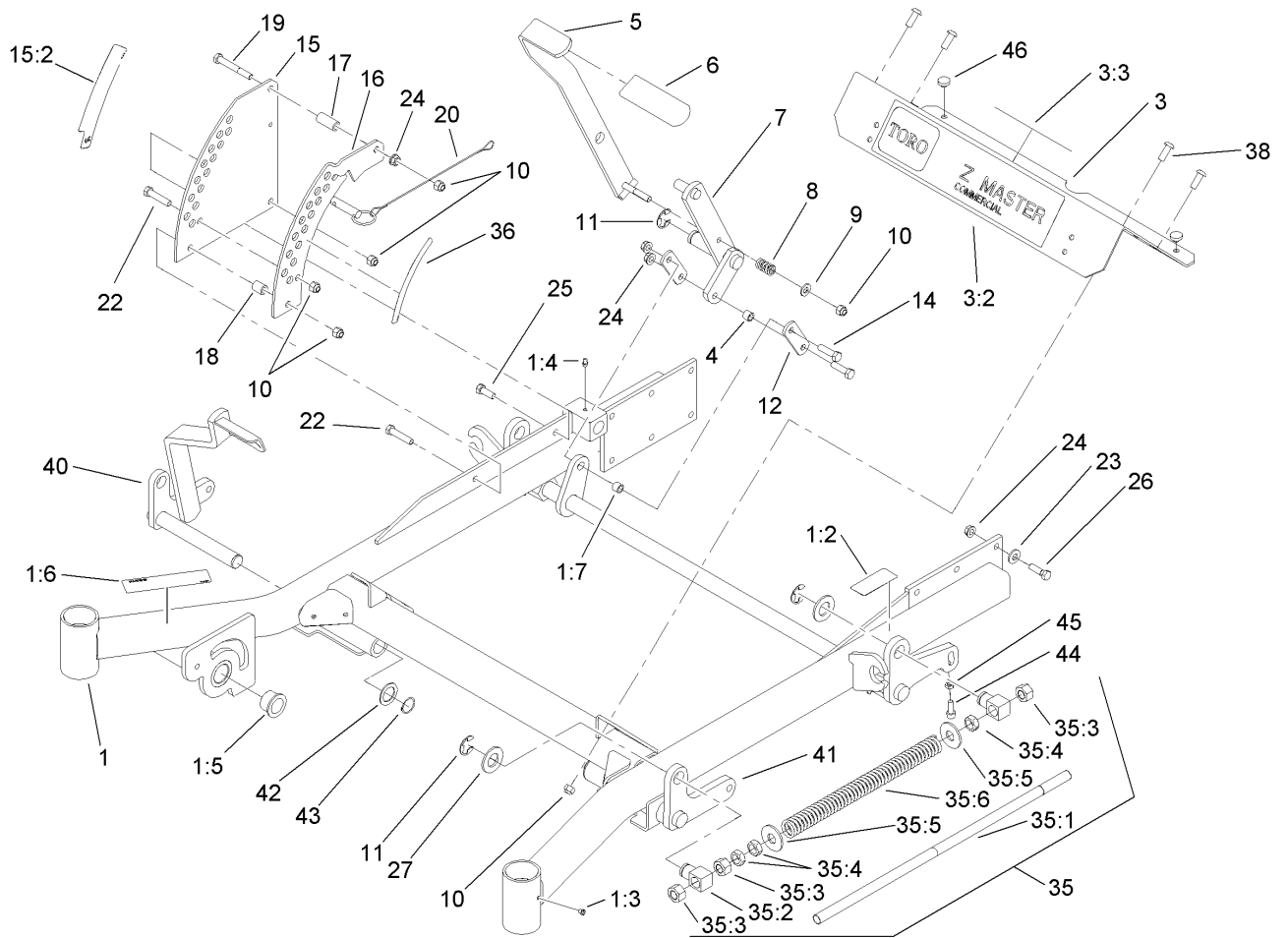
- ❸ Not serviced separately



Front Frame Assembly

Ref	Part No.	Qty.	Description
1	106-8998	1	Frame ASM
1:2	107-1857	1	Decal-Brake, Parking
1:3	1-811010	2	Plug
1:4	302-19	5	Fitting-Grease
1:5	94-1291	2	Bushing
1:6	104-7759	1	Decal-Warning
1:7	103-1918	1	Bushing
3	106-9981	1	Front Floorpan ASM
3:2	106-7451	1	Decal
3:3	107-2112	1	Decal-Warning
4	103-1918	1	Bushing
5	103-2083-03	1	Lift Lever ASM
6	1-633295	1	Grip-Lever, Lift
7	103-2064-03	1	Arm-Lift, Deck
8	1-633325	1	Spring-Compression
9	3256-24	1	Washer-Flat
10	3296-39	9	Nut-Lock, NI
11	32151-103	5	Ring-Snap
12	1-633068	2	Arm-Lift, Deck
14	323-29	2	Screw-HH
15	110-0833	1	Outer Deck Lift Plate ASM
15:2	107-1860	1	Decal-Height, Deck
16	108-7759-01	1	Plate-Lift, Deck
17	1-633082	1	Bushing-Lever, Lift

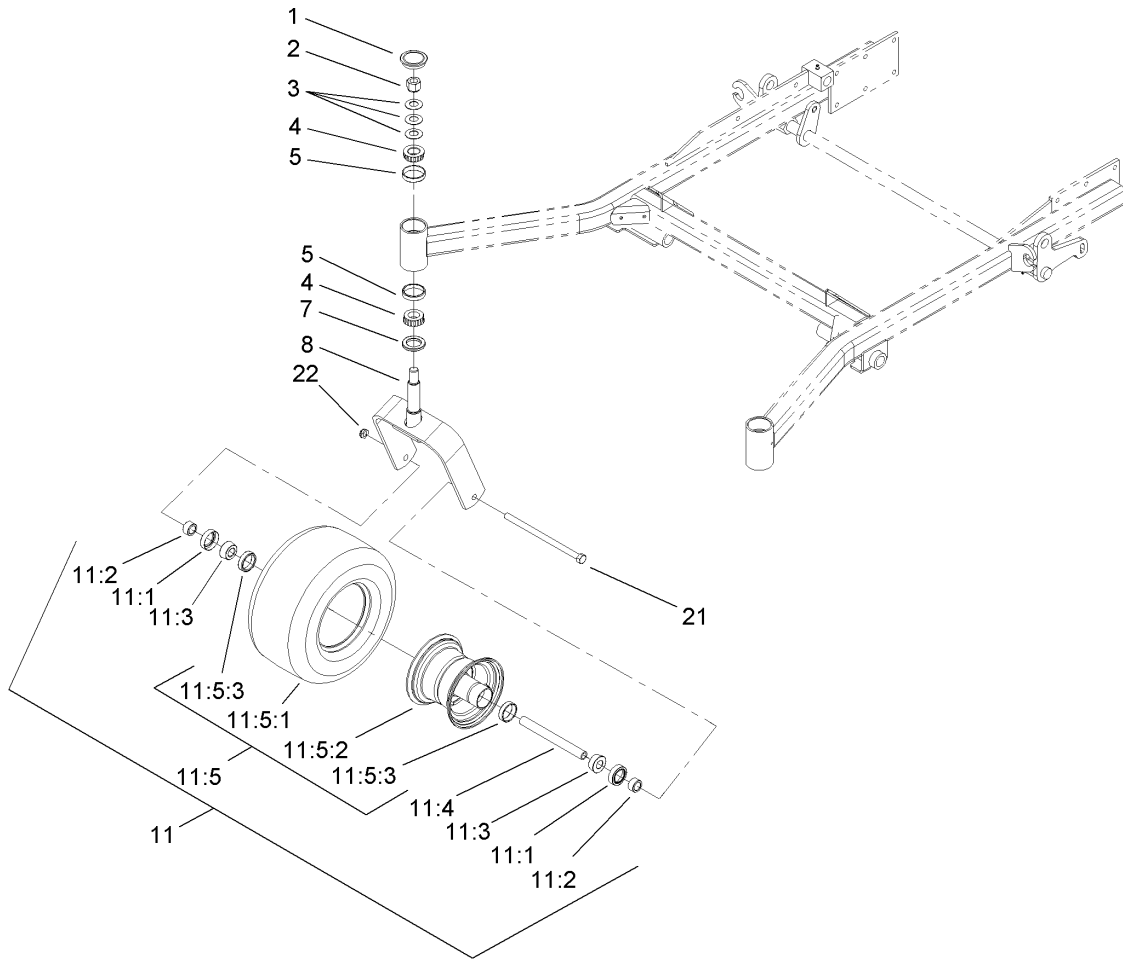
Ref	Part No.	Qty.	Description
18	1-633080	1	Bushing-Lever, Lift
19	323-13	1	Screw-HH
20	106-9951	1	Hitch Pin ASM
22	323-9	2	Screw-HH
23	98-5975	12	Washer-Belleville
24	3290-357	15	Nut-HHF, Whiz
25	323-6	1	Screw-HH
26	323-7	12	Screw-HH
27	3256-29	4	Washer-Flat
35		2	Front Frame Spring ASM
35:1	1-633096	1	Rod-Lift, Deck
35:2	1-633441	2	Swivel-Deck Mount, Rear
35:3	3217-11	4	Nut-Hex
35:4	3218-6	2	Nut-Jam
35:5	3256-7	2	Washer-Flat
35:6	1-633064	1	Spring-Support, Deck
36	107-1861	1	Decal-Height, Deck
38	3274-94	4	Screw-HSBH
40	108-7786-01	1	RH Front Deck Lift ASM
41	106-8984-01	1	LH Deck Lift ASM
42	1-523157	2	Washer-Spacer, 14 GA
43	32151-29	2	Ring-Retaining
44	3274-18	2	Screw-HSH
45	3218-2	2	Nut-Jam



Front Frame Assembly (continued)

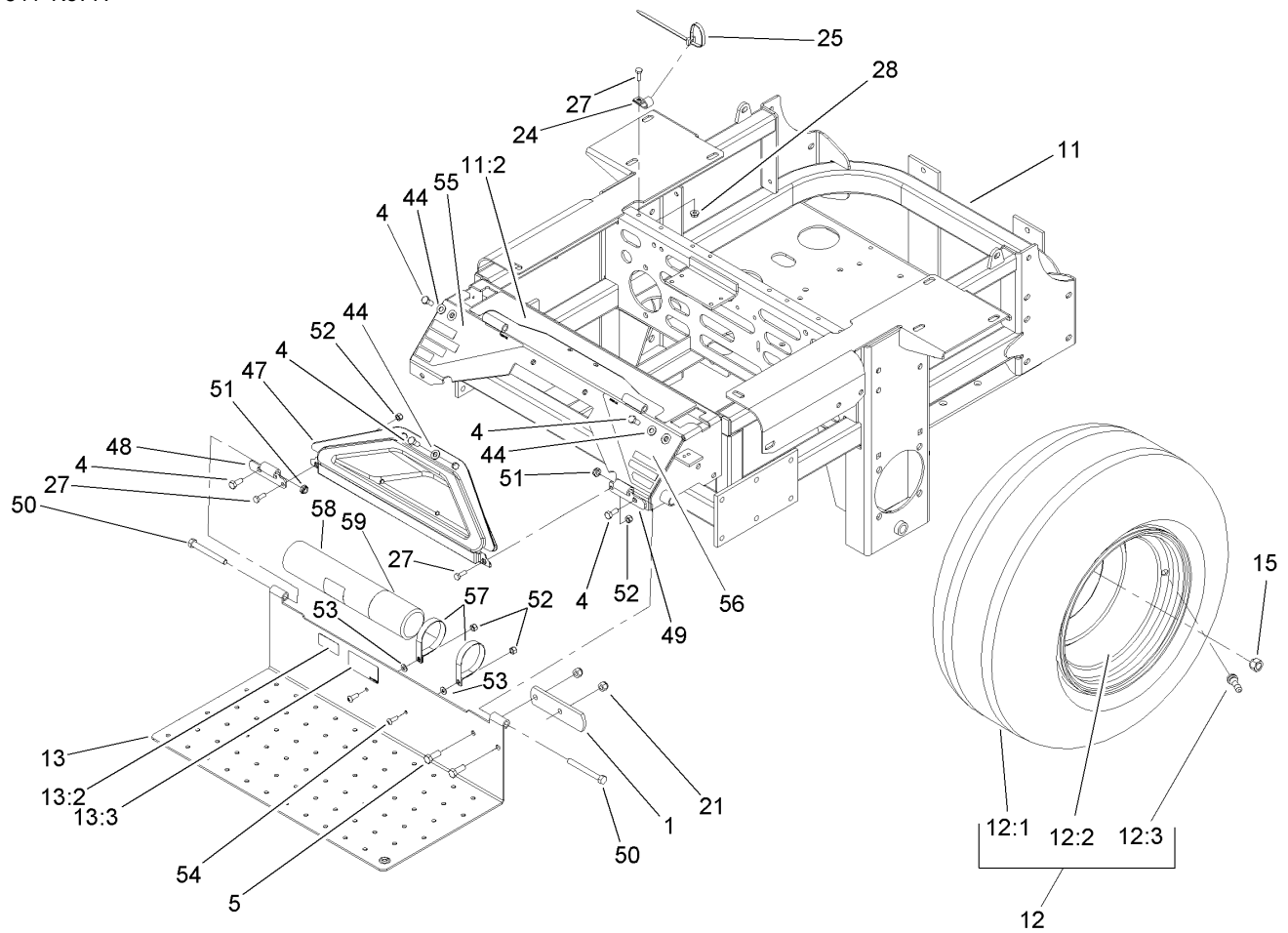
Ref	Part No.	Qty.	Description
46	1-513658	2	Bumper

--	--	--	--



Castor and Wheel Assembly

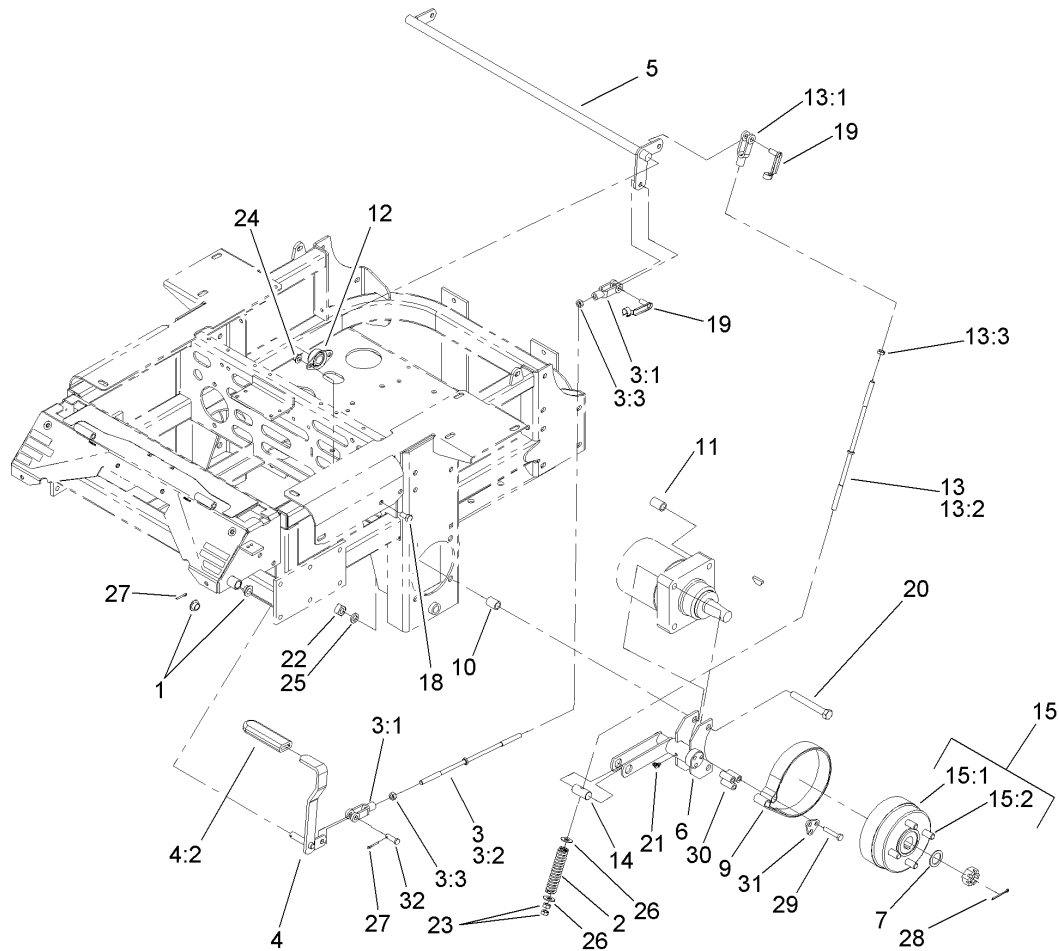
Ref	Part No.	Qty.	Description
1	103-4882	2	Cap-Grease
2	3296-51	2	Nut-Lock, NI
3	1-633508	6	Washer-Bellville
4	254-94	4	Bearing-Cone, Tapered
5	254-72	4	Bearing-Cup, Tapered
7	1-543511	2	Seal-Grease
8	103-1474-01	2	Fork-Caster
11	1-644251	2	Caster Wheel ASM
11:1	1-633580	2	Seal-Bearing
11:2	1-633581	2	Spacer-Bearing
11:3	1-633585	2	Bearing-Cone, Taper
11:4	1-633959	1	Spacer-Caster, Front
11:5		1	Wheel And Tire ASM
11:5:1	1-523009	1	Tire
11:5:2	1-633987	1	Wheel
11:5:3	1-633584	2	Bearing-Cup
21	325-39	2	Screw-HH
22	3296-23	2	Nut-Lock, NI



Main Frame Assembly

Ref	Part No.	Qty.	Description
1	1-633964-03	1	Stop-Brake, Park
4	322-43	6	Screw-HH
5	323-6	2	Screw-HH
11	108-1095	1	Main Frame ASM
11:2	107-8076	1	Decal-Console, Top
12	1-633970	2	Wheel And Tire ASM
12:1	1-633993	1	Tire
12:2	1-633992	1	Wheel
12:3	232-27	1	Stem-Valve
13	107-1858	1	Floorpan
13:2	98-4387	1	Decal-Protection, Ear
13:3	107-1864	1	Decal-Location, Manual
15	242-50	8	Nut-Lug
21	3296-39	2	Nut-Lock, NI
24	1-513762	1	Clip-Loom
25	1-303335	1	Tie-Plastic
27	321-4	3	Screw-HH
28	32128-33	1	Nut-HF
44	3256-70	6	Washer-Flat
47	106-7498	1	Pocket
48	106-7488-03	1	Hinge-Floorpan, LH
49	106-7489-03	1	Hinge-Floorpan, RH
50	323-20	2	Screw-HH
51	3296-59	2	Nut-Lock, NI

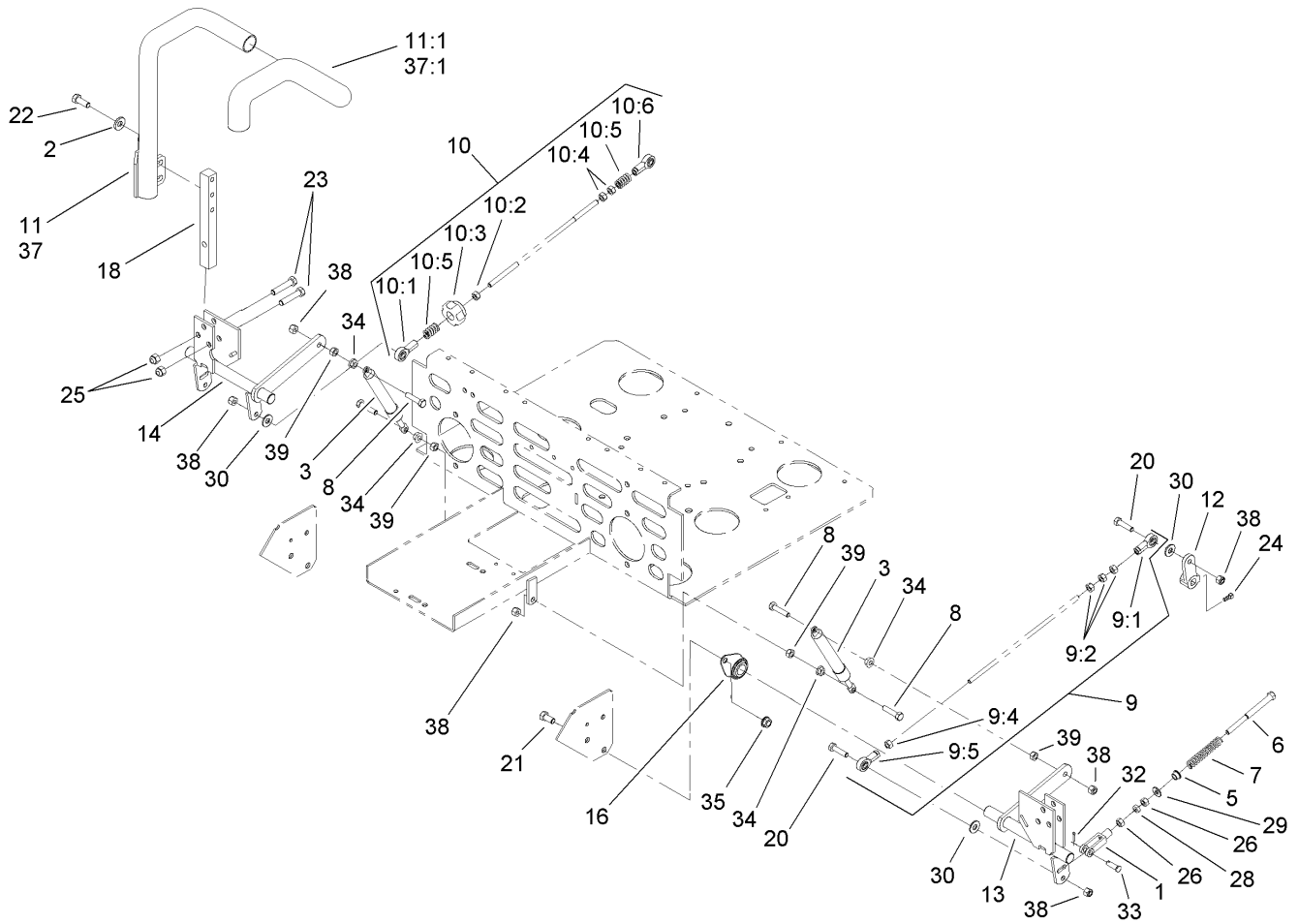
Ref	Part No.	Qty.	Description
52	3296-42	4	Nut-Lock, NI
53	3256-63	2	Washer-Flat
54	3258-166	2	Screw-PRH
55	106-9989	1	Decal-Warning
56	106-7492	1	Decal-Danger
57	107-1865	2	R-Clamp
58	104-7050	1	Housing-Manual
59	104-7048	1	Cap-Housing



Brake and Wheel Hub Assembly

Ref	Part No.	Qty.	Description
1	1-513140	2	Bearing-Control
2	1-633454	2	Spring-Brake
3	103-4332	1	Brake Rod And Yoke ASM
3:1	1-633131	2	Yoke-Linkage, Brake
3:2	1-633477	1	Rod-Brake
3:3	3219-3	2	Nut-Hex
4	1-634500	1	Brake Lever ASM
4:2	1-633268	1	Grip-Lever, Brake
5	1-632217-03	1	Shaft-Brake
6	103-0352-03	2	Bracket-Brake
7	1-523157	2	Washer-Spacer, 14 GA
9	103-0355	2	Band-Brake
10	1-633380	4	Spacer-Wheel, Short
11	1-633382	4	Spacer-Wheel, Long
12	1-633102	2	Bearing-Flange, Side
13	103-4333	2	Brake Rod And Yoke ASM
13:1	1-633131	1	Yoke-Linkage, Brake
13:2	1-633477	1	Rod-Brake
13:3	3219-3	1	Nut-Hex
14	1-633144	2	Pin-Trunion
15	103-0590	2	Hub And Wheel ASM
15:1	103-0589	1	Wheel Hub ASM
15:2	1-633926	4	Stud-Wheel
18	323-4	4	Screw-HH

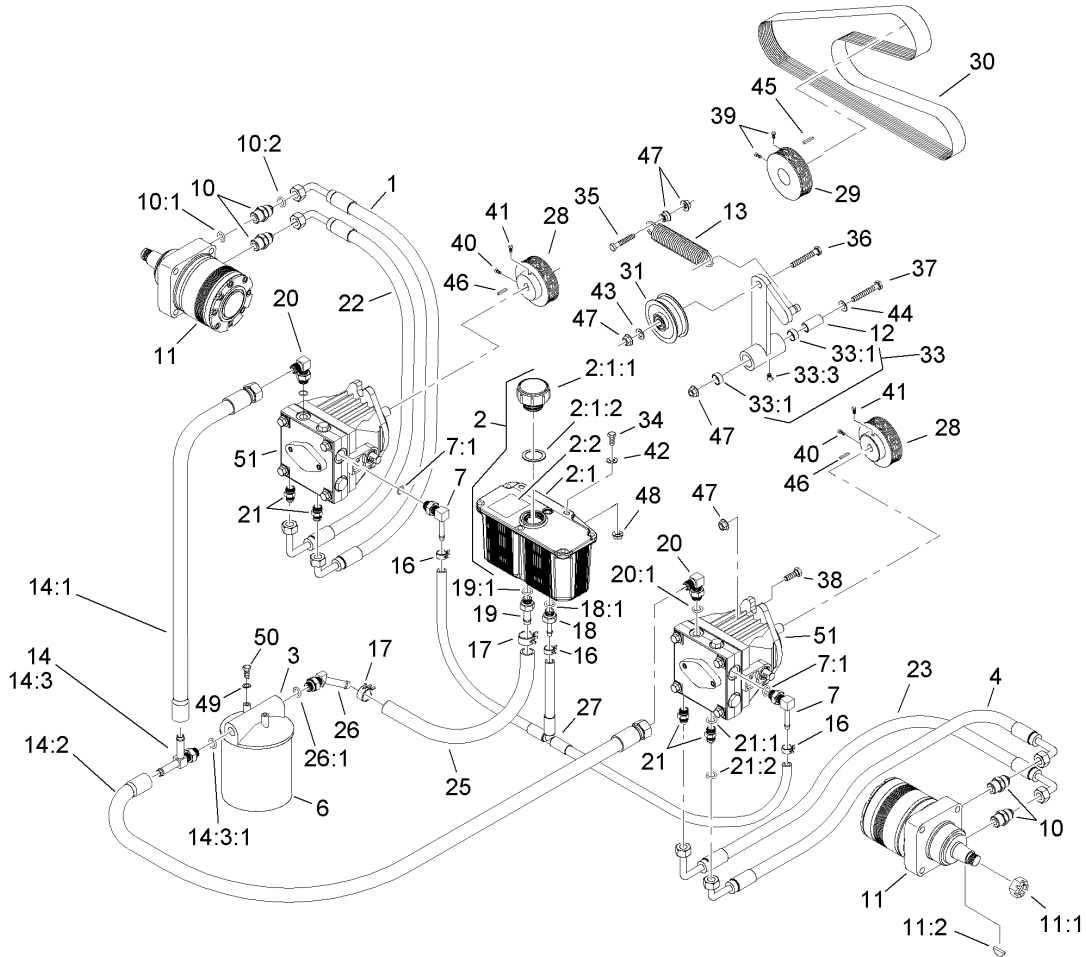
Ref	Part No.	Qty.	Description
19	103-2399	3	Pin-Spring, Clevis
20	325-17	8	Screw-HH
21	1481	2	Fitting-Grease
22	103-0131	8	Nut-Square
23	3219-3	4	Nut-Hex
24	3290-357	4	Nut-HHF, Whiz
25	3253-7	8	Washer-Lock
26	3256-4	4	Washer-Flat
27	3272-10	2	Pin-Cotter
28	1-806800	2	Pin-Cotter
29	322-9	6	Screw-HH
30	103-0384	6	Spacer
31	103-0374	2	Retainer-Band, Brake
32	1-808285	1	Pin-Clevis



Steering Control Assembly

Ref	Part No.	Qty.	Description
1	1-303105	2	Yoke-Adjustable
2	98-5975	4	Washer-Belleville
3	103-4079	2	Damper-Control, Motion
5	1-603735	2	Bushing-Flanged
6	1-603737	2	Bolt-Return, Neutral
7	1-603807	2	Spring-Return, Neutral
8	1-403180	4	Screw-HH
⑨		1	Tracking Rod ASM
9:1	1-543017	1	Balljoint-RH
9:2	3219-2	3	Nut-Hex
9:4	1-804524	1	Nut
9:5	1-633152	1	Balljoint-Thread, LH
⑩		1	Tracking Rod ASM
10:1	1-543017	1	Balljoint-RH
10:2	3219-2	1	Nut-Hex
10:3	103-3060	1	Knob-Tracking
10:4	1-804524	2	Nut
10:5	1-323245	2	Spring-Compression
10:6	1-633152	1	Balljoint-Thread, LH
11	108-7238	1	LH Lever ASM
11:1	106-9987	1	Grip-Control, Motion
12	1-632208	2	Arm-Control, Pump
13	103-4781	1	Control-Motion, LH
14	103-4782	1	Control-Motion, RH

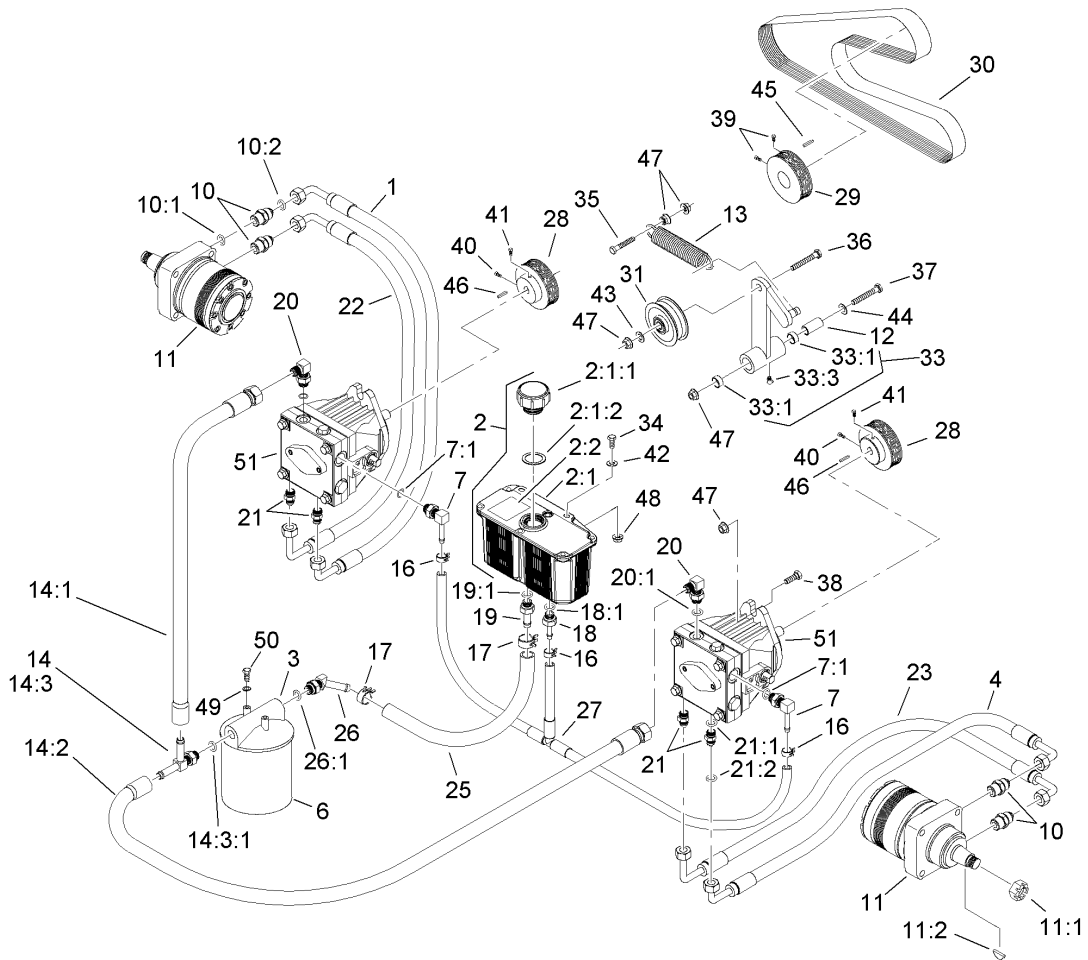
Ref	Part No.	Qty.	Description
16	1-633102	4	Bearing-Flange, Side
18	103-0407	2	Arm-Shaft, Control
20	322-6	4	Screw-HH
21	323-4	8	Screw-HH
22	323-6	4	Screw-HH
23	323-9	6	Screw-HH
24	1-803022	2	Screw-Set
25	3296-39	6	Nut-Lock, NI
26	3219-2	4	Nut-Hex
28	3220-2	2	Nut-Jam
29	3256-2	2	Washer-Flat
30	3256-3	4	Washer-Flat
32	3272-5	2	Pin-Cotter
33	1-808280	2	Pin-Clevis
34	32128-20	4	Nut-HF
35	3290-357	8	Nut-HHF, Whiz
37	108-7237	1	RH Lever ASM
37:1	106-9987	1	Grip-Control, Motion
38	3296-29	8	Nut-Lock, NI
39	3217-16	4	Nut-Hex



Hydraulic System Assembly

Ref	Part No.	Qty.	Description
1	103-3736	1	HYD Hose ASM
2	103-1947	1	HYD Reservoir ASM
2:1		1	Reservoir-HYD
2:1:1	103-1948	1	Cap-Reservoir, HYD
2:1:2	103-1949	1	Gasket-Cap
2:2	1-523552	1	Decal-Tank, HYD
3	104-7836	1	Head-Filter
4	103-3733	1	HYD Hose ASM
6	1-633750	1	Filter-HYD
6	1-633752	1	Filter-HYD, Winter
7	103-1799	2	Elbow-90 DEG
7:1	237-42	1	O-Ring
10	1-603991	4	Fitting-Straight
10:1	237-80	1	O-Ring
10:2	1-603992	1	O-Ring
11	103-6988	2	Motor-Wheel
11:1	1-809036	1	Nut-HH
11:2	3257-42	1	Key-Woodruff
11:99	1-000099	1	Seal Kit
11:99	1-000139	1	Bearing Kit
11:99	103-2748	1	Drive Link Kit
12	1-603384	1	Bushing-Pivot, Idler
13	103-3330	1	Spring-Extension
14	109-1936	1	Pump Inlet Hose ASM

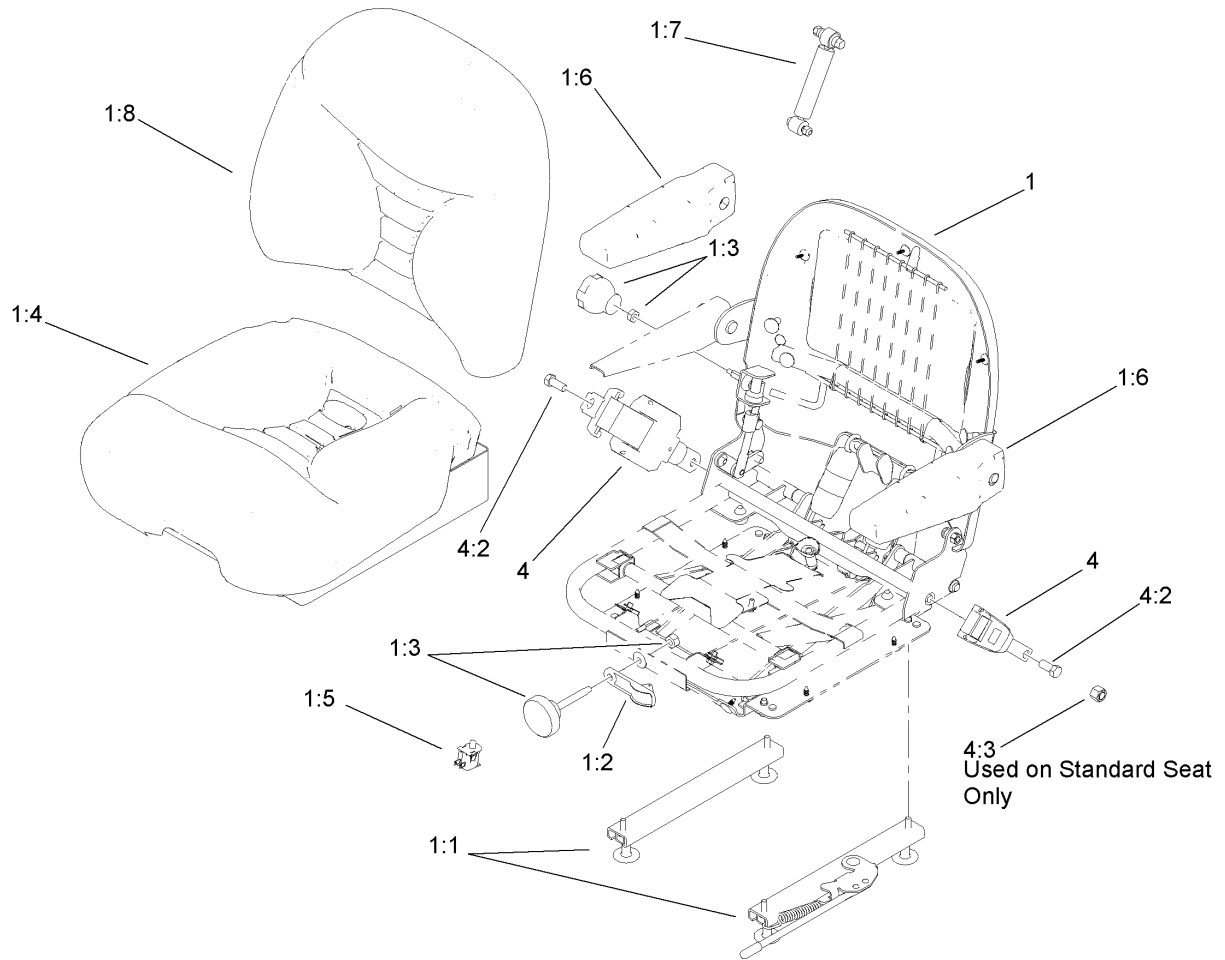
Ref	Part No.	Qty.	Description
14:1	103-1826	1	HYD Hose ASM
14:2	103-1827	1	HYD Hose ASM
14:3	103-1828	1	Adapter-Run, Tee
14:3:1	237-42	1	O-Ring
16	103-1716	3	Clamp-Hose
17	103-1988	2	Clamp-Hose
18	103-1801	1	Adapter-Straight
18:1	237-42	1	O-Ring
19	103-1912	1	Adapter-Straight
19:1	237-42	1	O-Ring
20	103-1802	2	Fitting-HYD, 90 DEG
20:1	1-603921	1	O-Ring
21	1-603990	4	Fitting-Straight
21:1	1-603920	1	O-Ring
21:2	1-603992	1	O-Ring
22	103-3737	1	HYD Hose ASM
23	103-3735	1	HYD Hose ASM
25	103-1808	1	Hose-HYD
26	103-1807	1	Elbow-45 DEG
26:1	237-42	1	O-Ring
27	103-1806	1	HYD Hose ASM
28	103-6907	2	Sheave
29	1-633567	1	Sheave
30	103-7445	1	Belt-V



Hydraulic System Assembly (continued)

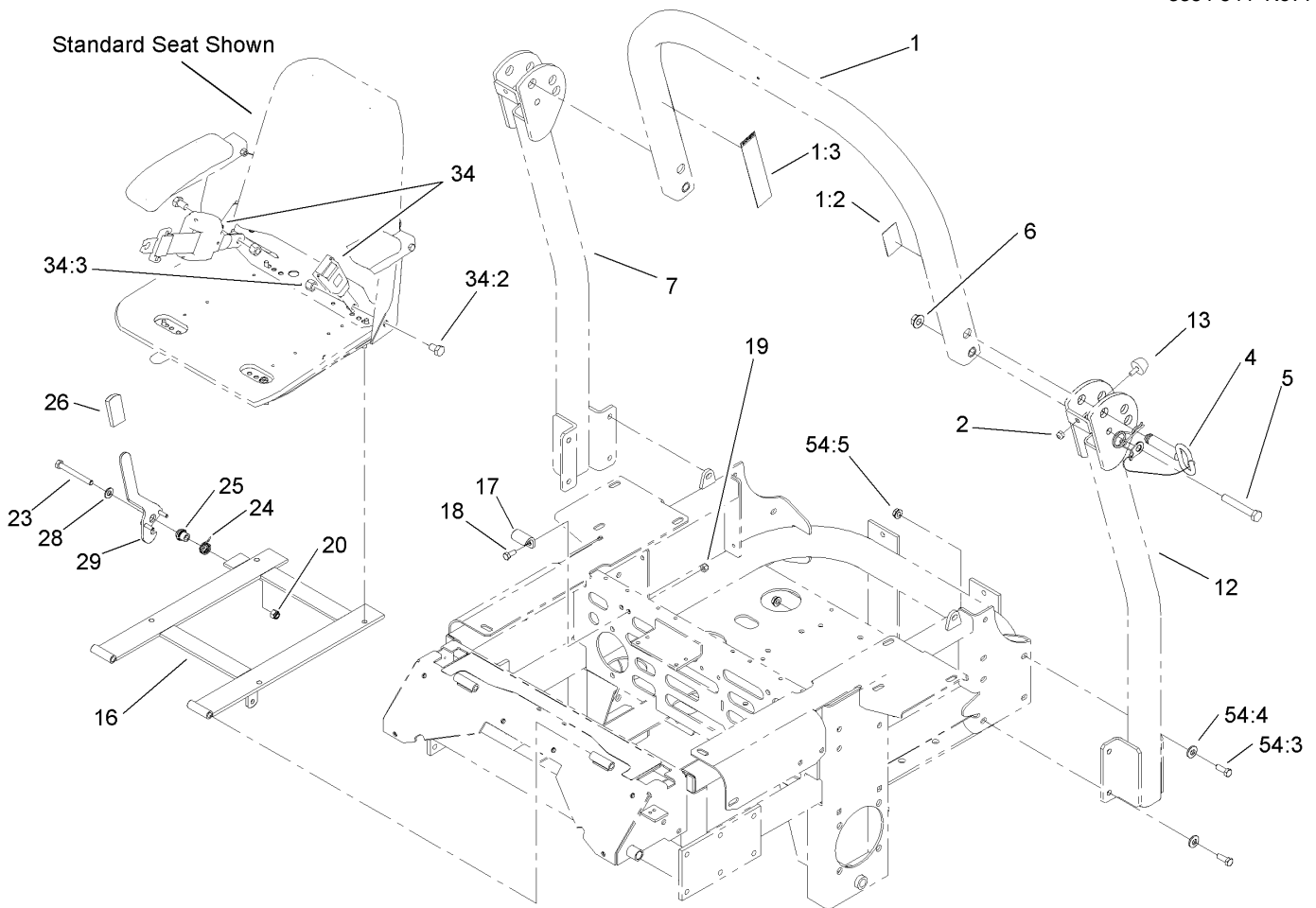
Ref	Part No.	Qty.	Description
31	1-633167	1	Sheave-Idler
33	1-634277	1	Bearing Arm ASM
33:1	1-513034	2	Sleeve-Bearing
33:3	302-40	1	Fitting-Grease
34	321-6	2	Screw-HH
35	323-8	1	Screw-HH
36	323-9	1	Screw-HH
37	1-800805	1	Screw-HH
38	323-7	4	Screw-HH
39	1-803022	2	Screw-Set
40	30-1710	2	Screw
41	1-803050	2	Screw-Set
42	3256-22	2	Washer-Flat
43	3256-3	1	Washer-Flat
44	3256-4	1	Washer-Flat
45	13-2840	1	Key-Square
46	5-1077	2	Key-Square
47	3290-357	8	Nut-HHF, Whiz
48	32128-33	2	Nut-HF
49	1-805004	2	Washer-Lock
50	321-3	2	Screw-HH
51	103-7262	2	Pump-HYD
●51:1	103-7441	1	Bearing-Shaft, Input
●51:2	103-7443	1	Cylinder Block Kit

Ref	Part No.	Qty.	Description
●51:3	103-8448	1	Thrust Bearing Kit
●51:4	105-6184	1	Overhaul Seal Kit



Deluxe Seat Assembly No. 110-0838

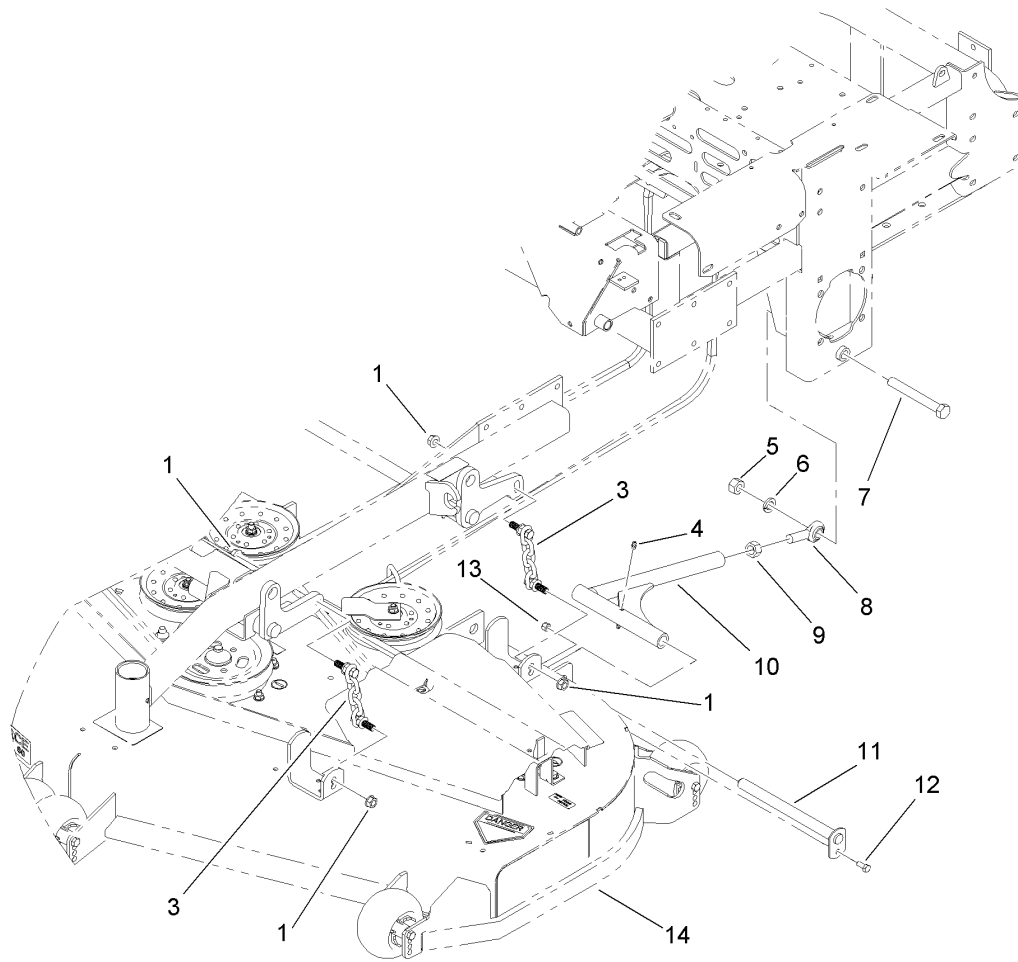
Ref	Part No.	Qty.	Description
1		1	Seat ASM
1:1	107-1880	1	Seat Track Kit
1:2	107-1885	1	Weight Indicator Kit
1:3	107-1881	1	Knob Kit
1:4	107-1883	1	Bottom Cushion Kit
1:5	107-1886	1	Switch Kit
1:6	107-1887	1	Armrest Kit
1:7	107-1884	1	Shock Absorber Kit
1:8	107-1882	1	Back Cushion Kit
4	110-0883	1	Retractable Seatbelt Kit
4:2	3212-4	2	Screw-HH
4:3	3296-7	2	Nut-Lock



Roll-Over-Protection-System Assembly No. 108-1097

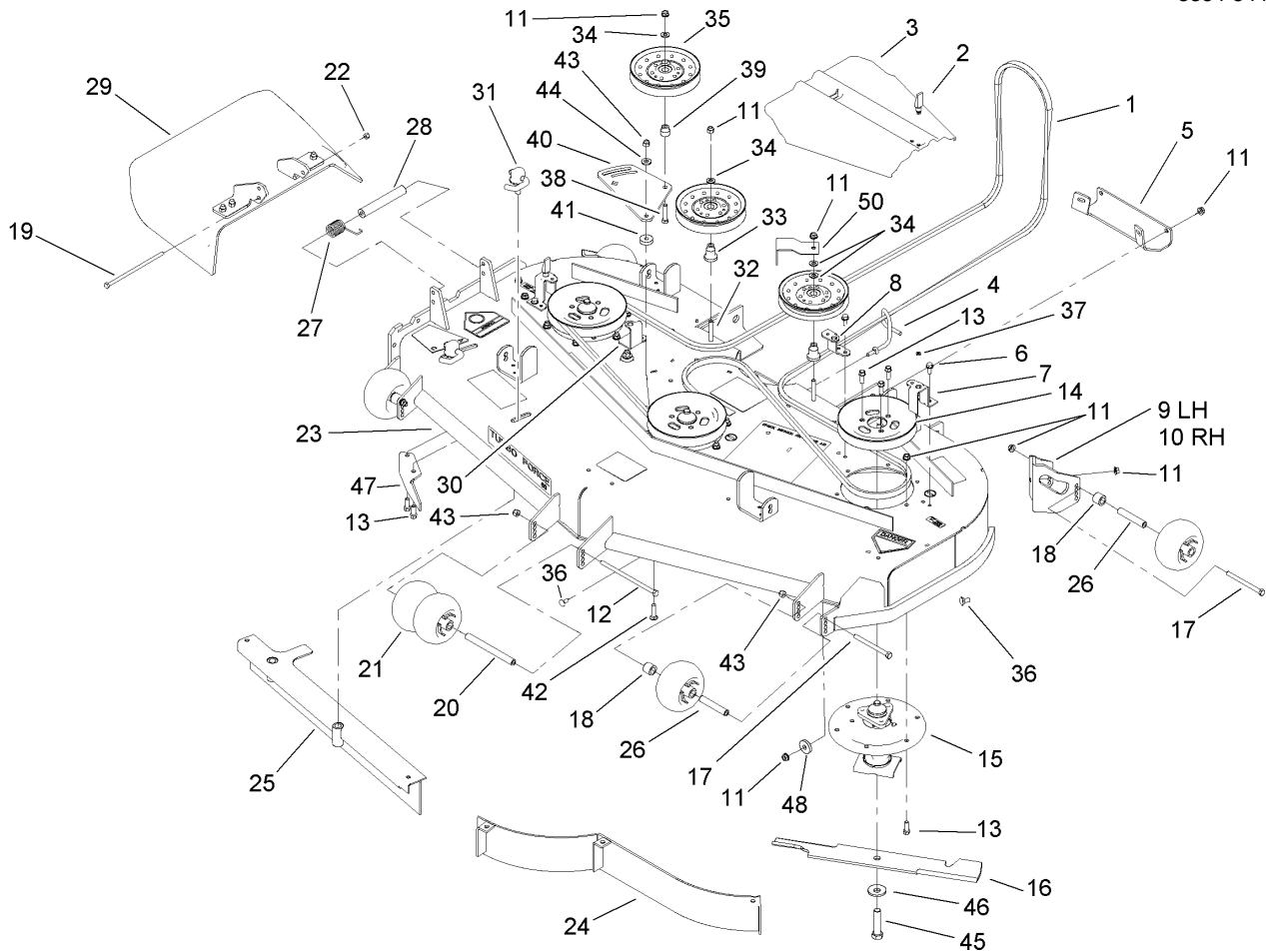
Ref	Part No.	Qty.	Description
1		1	Upper Tube ASM
1:2	107-2101	1	Decal-ROPS
1:3	107-2102	1	Decal-Warning, Folding ROPS
2	3296-73	2	Nut-Lock, NI
4	103-4553	2	ROPS Fold Pin ASM
5	325-13	2	Screw-HH
6	32128-23	2	Nut-HF
7		1	Tube-Support, RH
12		1	Tube-Support, LH
13	109-2365	2	Bumper-Rubber
16	107-3052-03	1	Seat Support Frame ASM
17	107-3058	1	Catch-Latch, Seat
18	322-3	2	Screw-HH
19	3296-29	2	Nut-Lock, NI
20	3296-39	1	Nut-Lock, NI
23	323-20	1	Screw-HH
24	107-0076	1	Spring-Torsion
25	107-0075	1	Bushing-Latch, Seat
26	103-4434	1	Grip-Lever
28	3256-24	1	Washer-Flat
29	107-3083	1	Latch ASM
34	110-0883	1	Retractable Seatbelt Kit
34:2	3212-4	2	Screw-HH
34:3	3296-7	2	Nut-Lock

Ref	Part No.	Qty.	Description
54		1	Bag-Bolt, ROPS
54:3	323-6	8	Screw-HH
54:4	98-5975	8	Washer-Belleville
54:5	3290-357	8	Nut-HHF, Whiz



Deck Connection Assembly

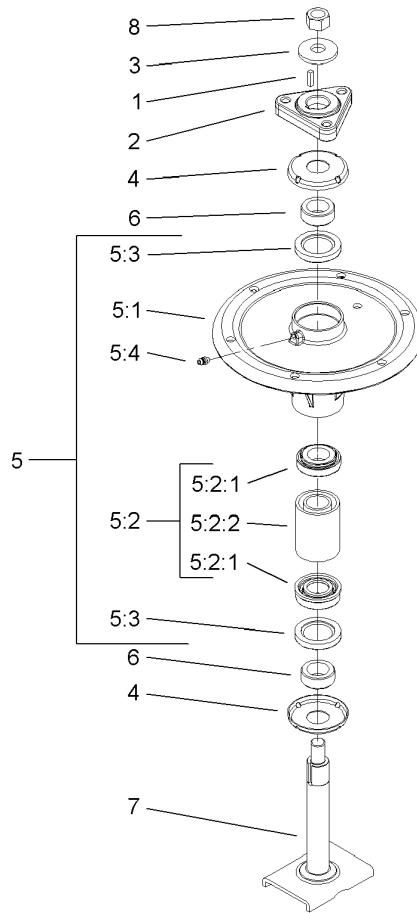
Ref	Part No.	Qty.	Description	
1	32128-37	8	Nut-HF	
3	103-9792	4	Deck Chain ASM	
4	302-19	4	Fitting-Grease	
5	3217-11	2	Nut-Hex	
6	3253-8	2	Washer-Lock	
7	327-11	2	Screw-HH	
8	1-633029	2	Balljoint-Spherical	
9	3219-6	2	Nut-Hex	
10	109-1181	2	Strut-Deck	
11	1-632199-01	2	Pin-Strut	
12	322-3	2	Screw-HH	
13	3296-29	2	Nut-Lock, NI	
14		1	60 Inch Deck ASM	



60 Inch Deck Assembly

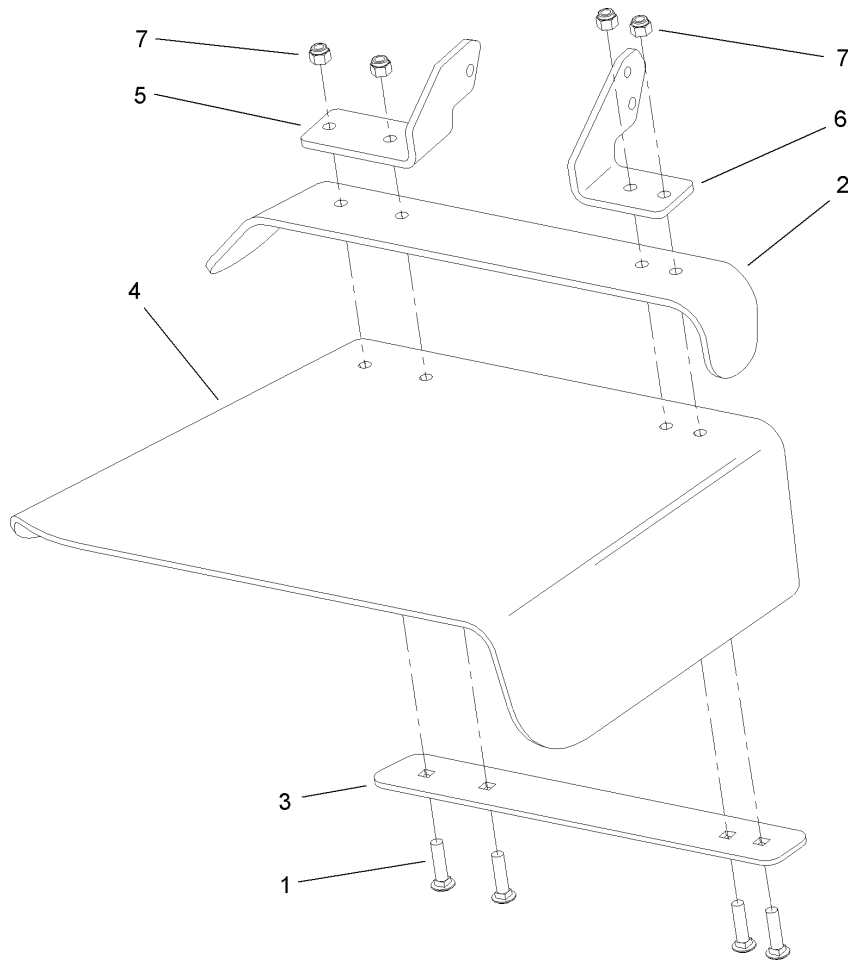
Ref	Part No.	Qty.	Description
1	105-8783	1	Belt
2	74-5950	2	Latch-Swell
3	107-8536	2	Cover-Belt
4	106-3220	1	Guide-Belt
5	105-8792-01	1	Plate-Skid
6	32144-70	4	Screw-HH
7	108-4121-01	2	Bracket-Cover
8	108-2177-01	1	Bracket-Cover, Tall
9	106-7354-01	1	Plate-Roller, LH
10	106-7355-01	1	Plate-Roller, RH
11	3290-357	38	Nut-HHF, Whiz
12	323-28	1	Screw-HH
13	92-1624	33	Screw
14	105-7734	3	Pulley
15	106-3217	3	Spindle ASM
16	105-7718-03	3	Blade-Hi Flow
17	323-23	4	Screw-HH
18	98-7913	4	Tube-Spacer
19	322-50	1	Screw-HH
20	98-5967	1	Spacer-Wheel
21	1-603299	6	Roller-Scalp, Anti
22	3296-29	1	Nut-Lock, NI
23	107-1624	1	Deck ASM
24	105-7657-01	1	Baffle ASM

Ref	Part No.	Qty.	Description
25	105-7669-01	1	Baffle ASM
26	98-7912	4	Tube-Spanner
27	108-4052	1	Spring-Torsion
28	105-4622	1	Spacer
29	108-2792	1	Rubber Deflector ASM
30	108-4122-01	1	Bracket-Cover
31	107-1664	2	Lever ASM
32	323-12	2	Screw-HH
33	106-3214	2	Mount-Pulley
34	3256-24	4	Washer-Flat
35	1-633109	3	Idler-Flat
36	3231-1	10	Screw-CARR
37	99-3058	2	Washer
38	323-9	1	Screw-HH
39	1-603496	1	Bushing-Idler
40	105-7787-01	1	Plate-Idler
41	105-7788	2	Spacer
42	3231-4	2	Screw-CARR
43	3296-39	7	Nut-Lock, NI
44	98-5975	1	Washer-Belleveille
45	103-0862	3	Screw-Cap
46	103-0865	3	Washer-Blade Bolt, Heavy
47	106-3216-01	1	Baffle-Discharge
48	112843	1	Washer



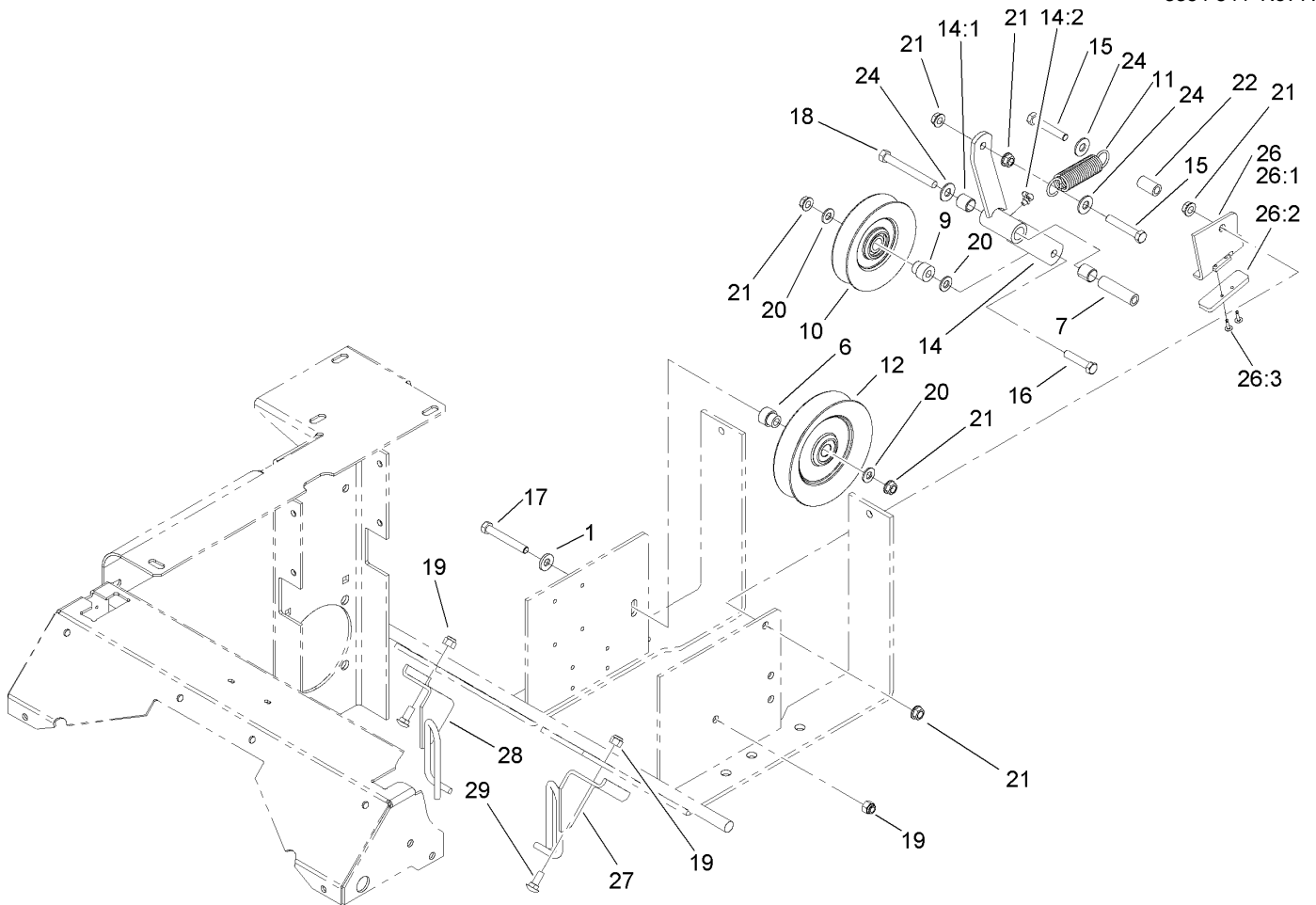
Spindle Assembly No. 106-3217

Ref	Part No.	Qty.	Description
1	10-8040	1	Key-Square
2	106-3277	1	Hub-Pulley
3	103-0865	1	Washer-Blade Bolt, Heavy
4	106-3204	2	Shield-Bearing
5		1	Spindle Bearing ASM
5:1	106-3211	1	Housing-Spindle
5:2	106-3207	1	Bearing ASM
5:2:1	27-0960	1	Bearing ASM
5:2:2	106-3206	1	Spacer-Set, Matched
5:3	253-133	2	Seal-Oil
5:4	302-5	1	Fitting-Grease
6	106-3218	2	Spacer-Seal
7	106-3233	1	Spindle Shaft ASM
8	3219-6	1	Nut-Hex



Rubber Deflector Assembly No. 108-2792

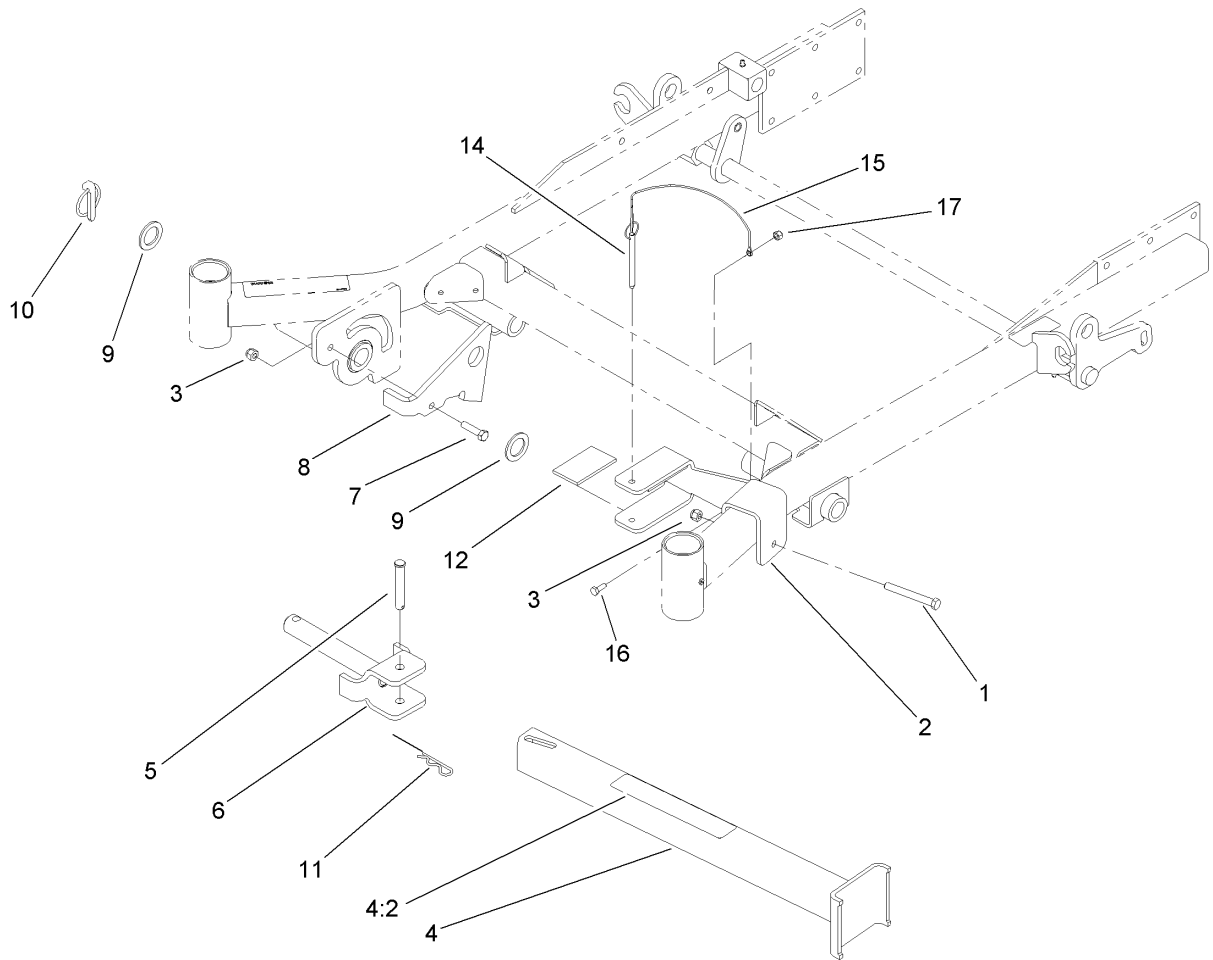
Ref	Part No.	Qty.	Description
1	3231-4	4	Screw-CARR
2	106-3246-01	1	Deflector
3	106-3248-03	1	Strap-Discharge
4	108-5029	1	Deflector-Rubber
5	108-4059-01	1	Plate-Hinge, Rear
6	106-3253-01	1	Plate-Hinge, Front
7	3296-39	4	Nut-Lock, NI



Drive Idler Assembly

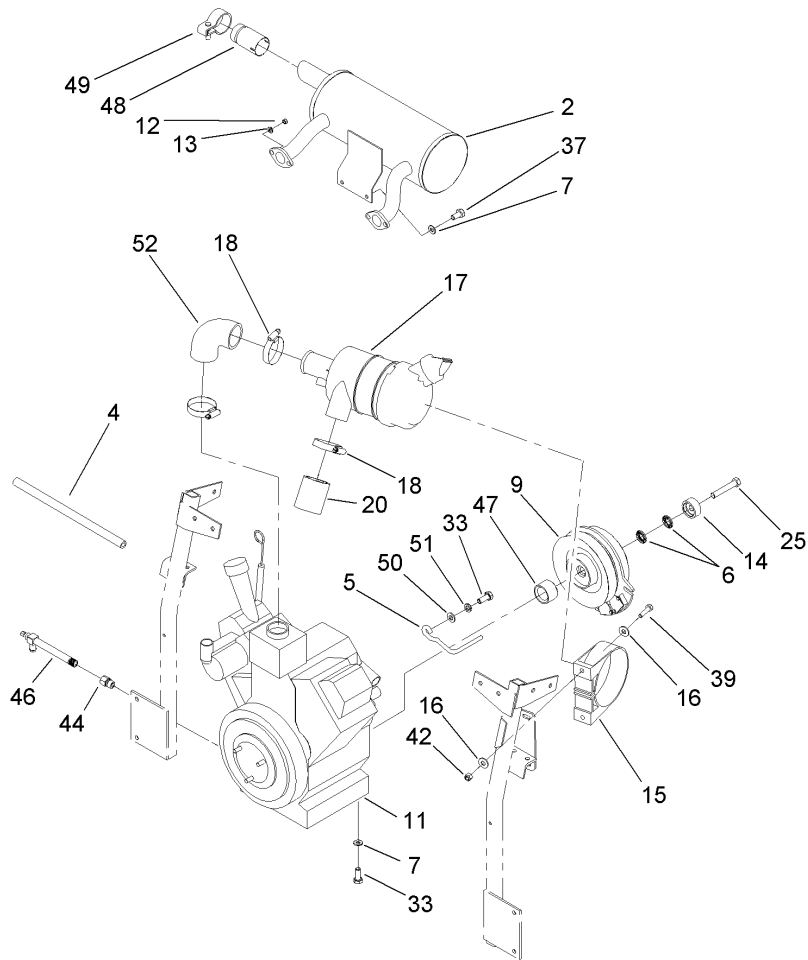
Ref	Part No.	Qty.	Description
1	98-5975	1	Washer-Belleville
6	103-2627	1	Bushing-Idler
7	1-603384	1	Bushing-Pivot, Idler
9	1-603496	1	Bushing-Idler
10	99-4638	1	Idler
11	1-603402	1	Spring-Extension
12	1-633166	1	Pulley-Idler
14	103-3147	1	Arm ASM
14:1	1-513034	2	Sleeve-Bearing
14:2	302-40	1	Fitting-Grease
15	323-12	2	Screw-HH
16	323-9	1	Screw-HH
17	323-13	1	Screw-HH
18	1-800805	1	Screw-HH
19	3296-39	3	Nut-Lock, NI
20	3256-24	3	Washer-Flat
21	3290-357	6	Nut-HHF, Whiz
22	1-603401	1	Spacer-Fender
24	3256-4	3	Washer-Flat
26	106-3271	1	Travel Limiter ASM
26:1	106-3228-03	1	Plate-Limiter, Pulley
26:2	106-3229	1	Pad-Bumper
26:3	3269-24	2	Rivet
27	108-7204-03	1	Guide-Belt, LH

Ref	Part No.	Qty.	Description
28	108-7229-03	1	Guide-Belt, RH
29	3231-2	2	Screw-CARR



Z-Stand Assembly

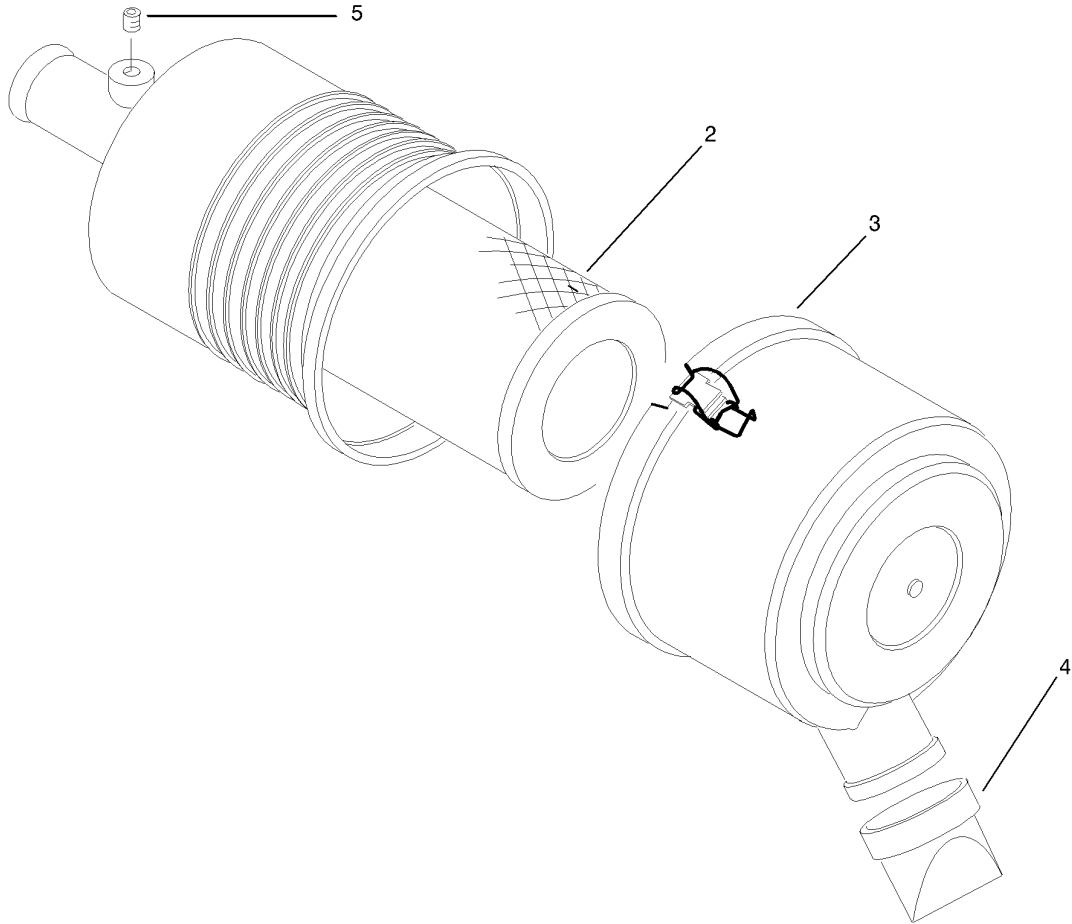
Ref	Part No.	Qty.	Description
1	323-20	1	Screw-HH
2	100-6542-01	1	Bracket-Cradle
3	3296-39	2	Nut-Lock, NI
4	107-1874	1	Leg ASM
4:2	106-7464	1	Decal-Z Stand
5	283-55	1	Pin-Clevis
6	100-9692-01	1	Pivot Pin ASM
7	323-8	1	Screw-HH
8	100-9686-01	1	Bracket-Latch
9	3-6781	2	Washer-Thrust
10	283-71	1	Pin-Lynch
11	3290-355	1	Pin-Hair
12	100-6547	2	Cushion-Rubber
14	105-1647	1	Pin-Hitch, Cotterless
15	100-9385	1	Lanyard-Nylon
16	321-4	1	Screw-HH
17	3296-42	1	Nut-Lock, NI



Engine and Clutch Assembly

Ref	Part No.	Qty.	Description
2	103-2759	1	Muffler
4	106-7022	1	Tube-Drain, Oil
5	52-4780	1	Rod-Belt
6	1-603610	2	Washer-Spring
7	1-303334	6	Washer-Spring
9	103-6589	1	Clutch
11		1	Engine-Kawasaki, Fd750D-Bs03
12	33013-00	4	Nut-Hex
13	1-805004	4	Washer-Lock
14	103-0152	1	Keeper-Clutch
15	95-5806	1	Bracket-Mounting
16	3256-3	4	Washer-Flat
17	95-5805	1	Air Cleaner ASM
18	1-643009	1	Clamp-Hose
20	1-643084	1	Hose-Inlet, Air
25	48-7570	1	Screw-HH
33	33115-025	5	Screw-HH
37	33115-020	2	Screw-HH
39	322-6	3	Screw-HH
42	3296-29	2	Nut-Lock, NI
44	103-1966	1	Adapter
46	92-6877	1	Valve-Drain, Oil
47	103-0114	1	Spacer-Clutch
48	103-1511	1	Arrestor-Spark

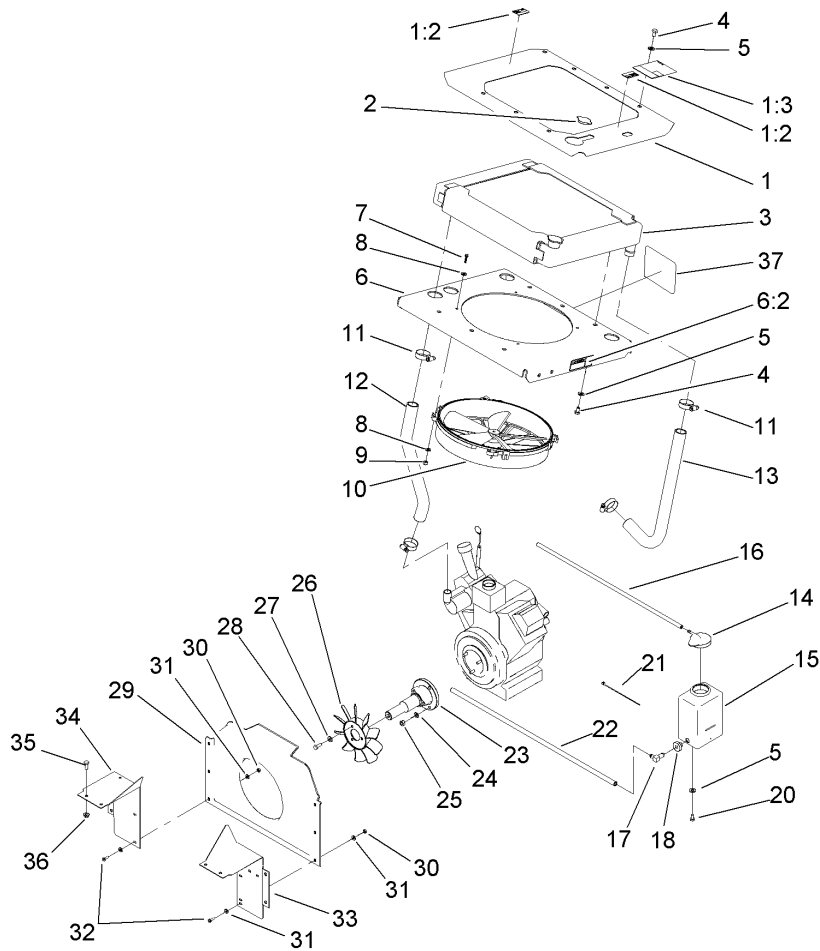
Ref	Part No.	Qty.	Description
49	103-1512	1	Clamp-Muffler
50	3256-24	1	Washer-Flat
51	98-5975	1	Washer-Belleville
52	1-643083	1	Hose-Aircleaner



Air Cleaner Assembly No. 95-5805

Ref	Part No.	Qty.	Description
2	108-3811	1	Filter-Air
3	94-3652	1	Cover ASM
4	87-9400	1	Valve-Vacuator
5	285-17	1	Plug-Pipe

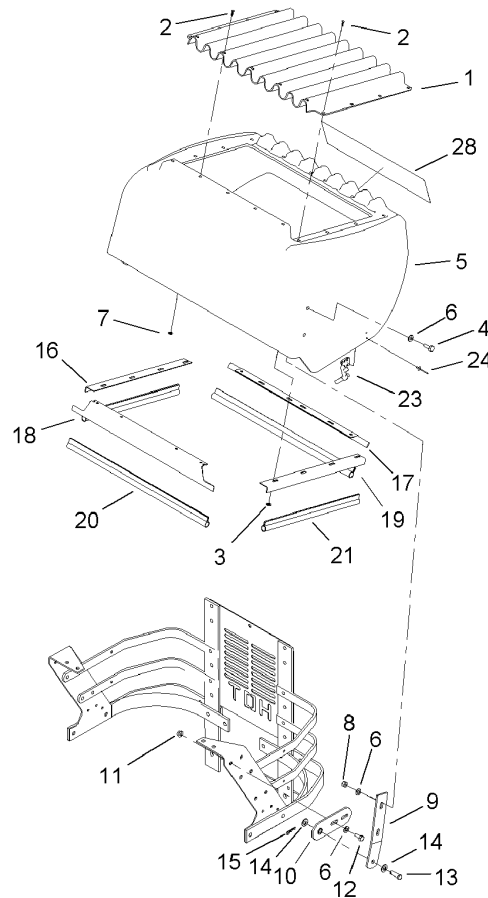
Ref	Part No.	Qty.	Description



Cooling System Assembly

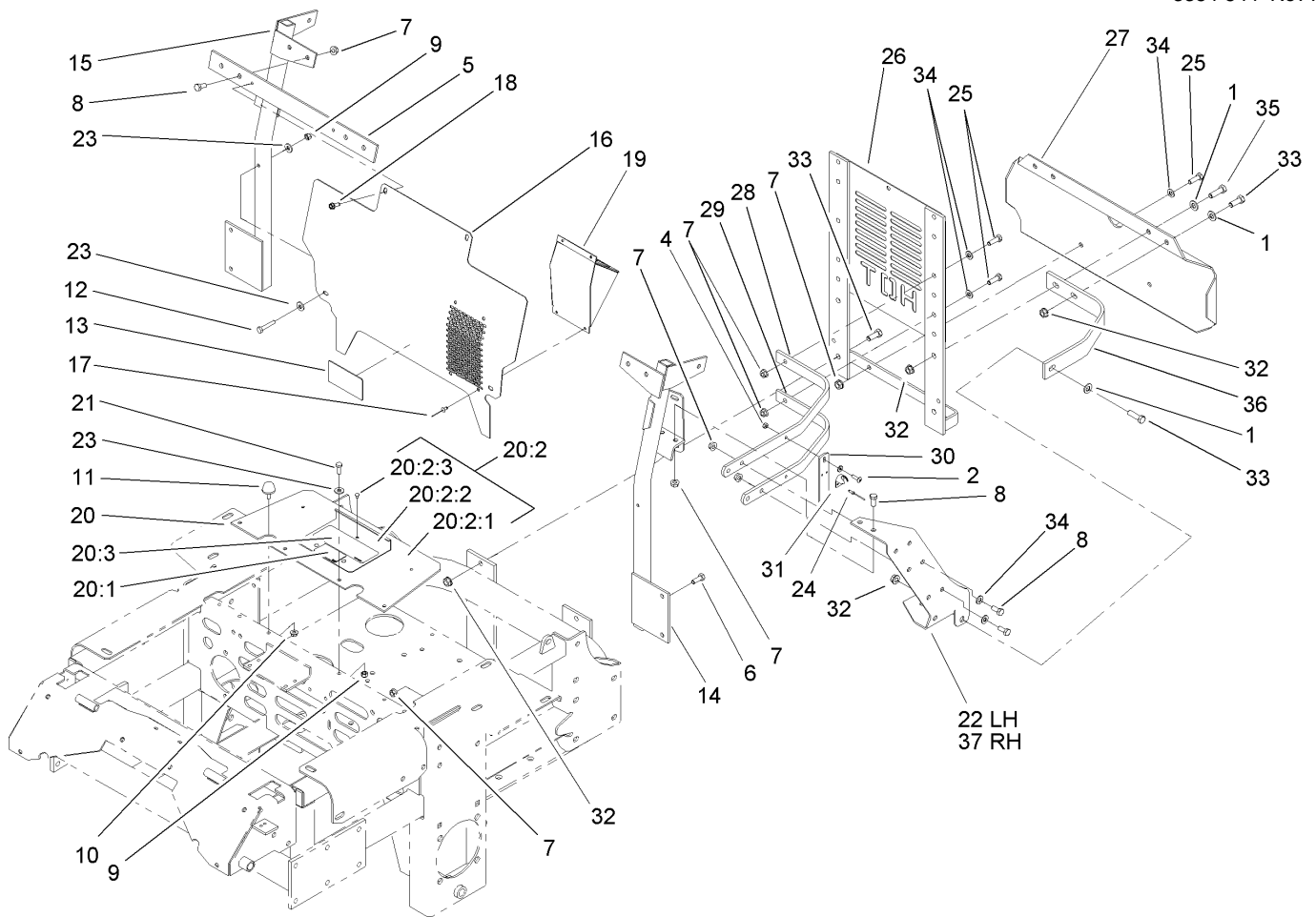
Ref	Part No.	Qty.	Description
1	104-7843	1	Radiator Trim Plate ASM
1:2	65-2690	2	Decal-Surface, Hot
1:3	104-2449	1	Decal-Coolant
2	1-643161	1	Cap-Radiator
3	103-1046	1	Radiator-Mount
4	322-1	12	Screw-HH
5	3256-23	14	Washer-Flat
6	100-4301	1	Fan Mounting Plate ASM
6:2	1-643253	2	Decal-Fan, Radiator
7	1-803067	4	Screw
8	3256-16	8	Washer-Flat
9	1-804254	4	Nut
10	1-633831	1	Fan
11	1-633989	4	Clamp-Hose
12	103-0074	1	Hose-Inlet, Radiator
13	103-0075	1	Hose-Outlet, Radiator
14	1-643164	1	Cap-Tank, Overflow
15	1-643163	1	Tank-Overflow
16	1-643131	1	Hose
17	1-643259	1	Fitting-Elbow
18	1-513645	1	Bushing-Valve, Fuel
20	321-2	2	Screw-HH
21	1-303287	3	Tie-Plastic
22	109-0041	1	Hose, Overflow

Ref	Part No.	Qty.	Description
23	1-633851	1	Extension-Crankshaft
24	3255-8	3	Washer-Lock
25	33014-00	3	Nut-Hex
26	1-633869	1	Fan-Pump, Cooling
27	3256-22	3	Washer-Flat
28	1-809095	3	Screw-HSH
29	103-0098	1	Shroud-Fan, HYD
30	3296-2	6	Nut-Lock
31	3256-14	12	Washer-Flat
32	3290-500	6	Screw-PPH
33	103-0895-03	1	Shield-LH
34	1-633794-03	1	Shield-RH
35	321-4	6	Screw-HH
36	32128-33	6	Nut-HF
37	103-3270	1	Decal



Hood Assembly

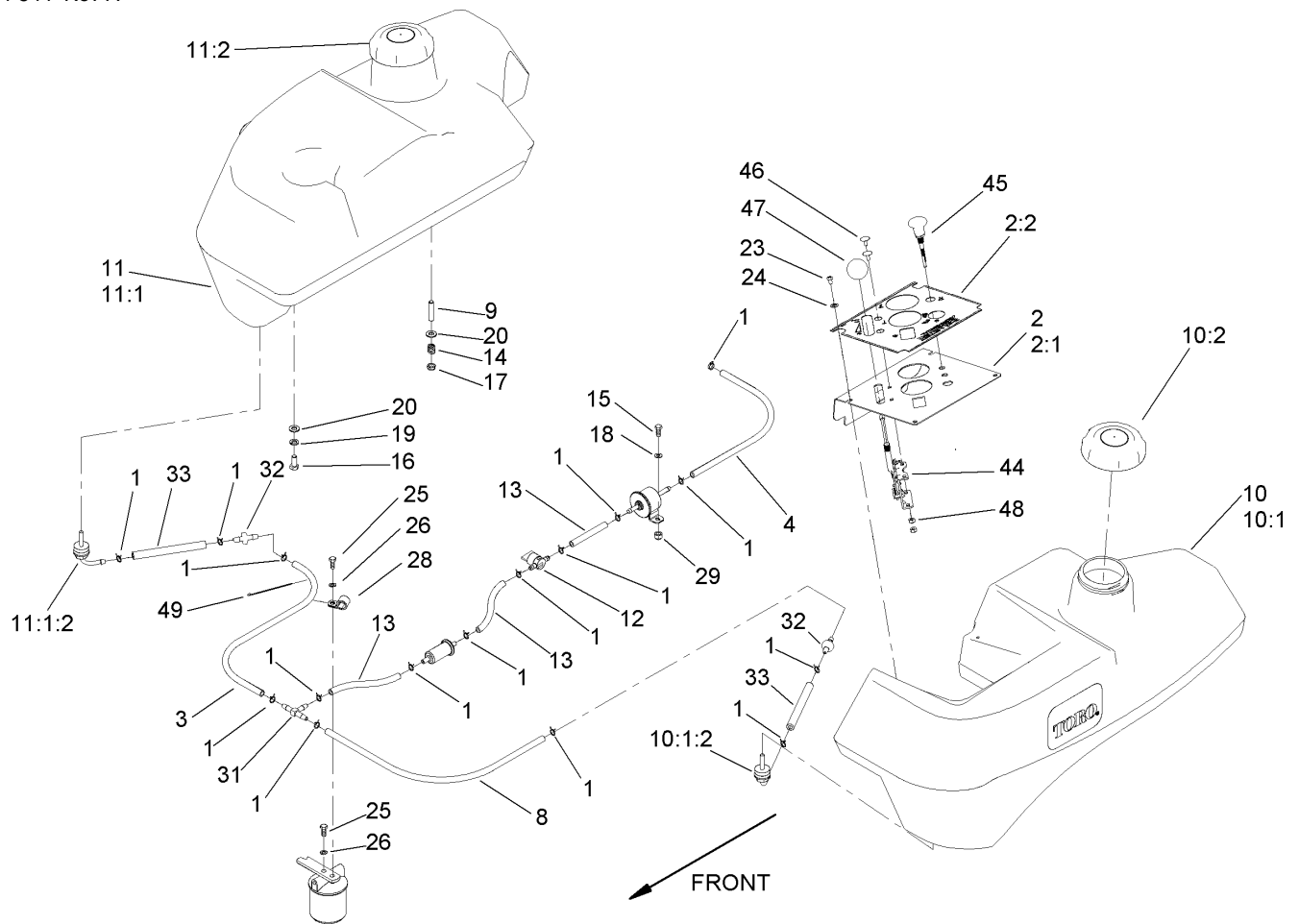
Ref	Part No.	Qty.	Description
1	1-633864-03	1	Screen-Radiator
2	1-803072	17	Rivet
3	3256-14	12	Washer-Flat
4	322-4	4	Screw-HH
5	104-5136	1	Hood
6	3256-23	10	Washer-Flat
7	1-303435	5	Washer-Spring
8	3296-29	4	Nut-Lock, NI
9	1-633885-03	2	Plate-Hinge, Hood
10	1-632986-03	2	Shackle-Hinge
11	32128-20	25	Nut-HF
12	322-3	16	Screw-HH
13	1-808285	2	Pin-Clevis
14	3256-24	6	Washer-Flat
15	1-806003	2	Pin-Hair
16	1-643106-03	1	Angle-Radiator, RH
17	1-643108-03	1	Angle-Radiator, Bottom
18	1-643107-03	1	Angle-Radiator, Top
19	1-643105-03	1	Angle-Radiator, LH
20	1-643187	2	Seal-Trim
21	1-643186	2	Seal-Trim
23	1-643188	2	Latch-Rubber
24	923786	4	Rivet
28	106-7456	1	Decal



Cooling Mounting Frame Assembly

Ref	Part No.	Qty.	Description
1	3256-24	6	Washer-Flat
2	1-803075	4	Screw-Head, Truss
4	3296-2	4	Nut-Lock
5	1-633878-03	1	Crossbar
6	322-4	4	Screw-HH
7	32128-20	12	Nut-HF
8	322-3	8	Screw-HH
9	3296-42	6	Nut-Lock, NI
10	32128-33	2	Nut-HF
11	109-2365	2	Bumper-Rubber
12	321-9	2	Screw-HH
13	1-643339	1	Decal-Routing, Belt
14	103-0107-03	1	Brace-Radiator, LH
15	1-632985-03	1	Brace-Radiator, RH
16	103-2870-03	1	Deflector-Air
17	3269-3	4	Rivet-Pop
18	49-2040	2	Screw-HWHTF
19	103-0110-03	1	Plenum-Intake, Air
20	1-644276	1	Shield ASM
20:1	1-633462	1	Decal-Important
20:2	1-634308	1	Shield/Lift ASM
20:2:1	103-1308	1	Shield-Engine
20:2:2	1-633300-03	1	Lift-Shield
20:2:3	1-803035	3	Rivet-Pop

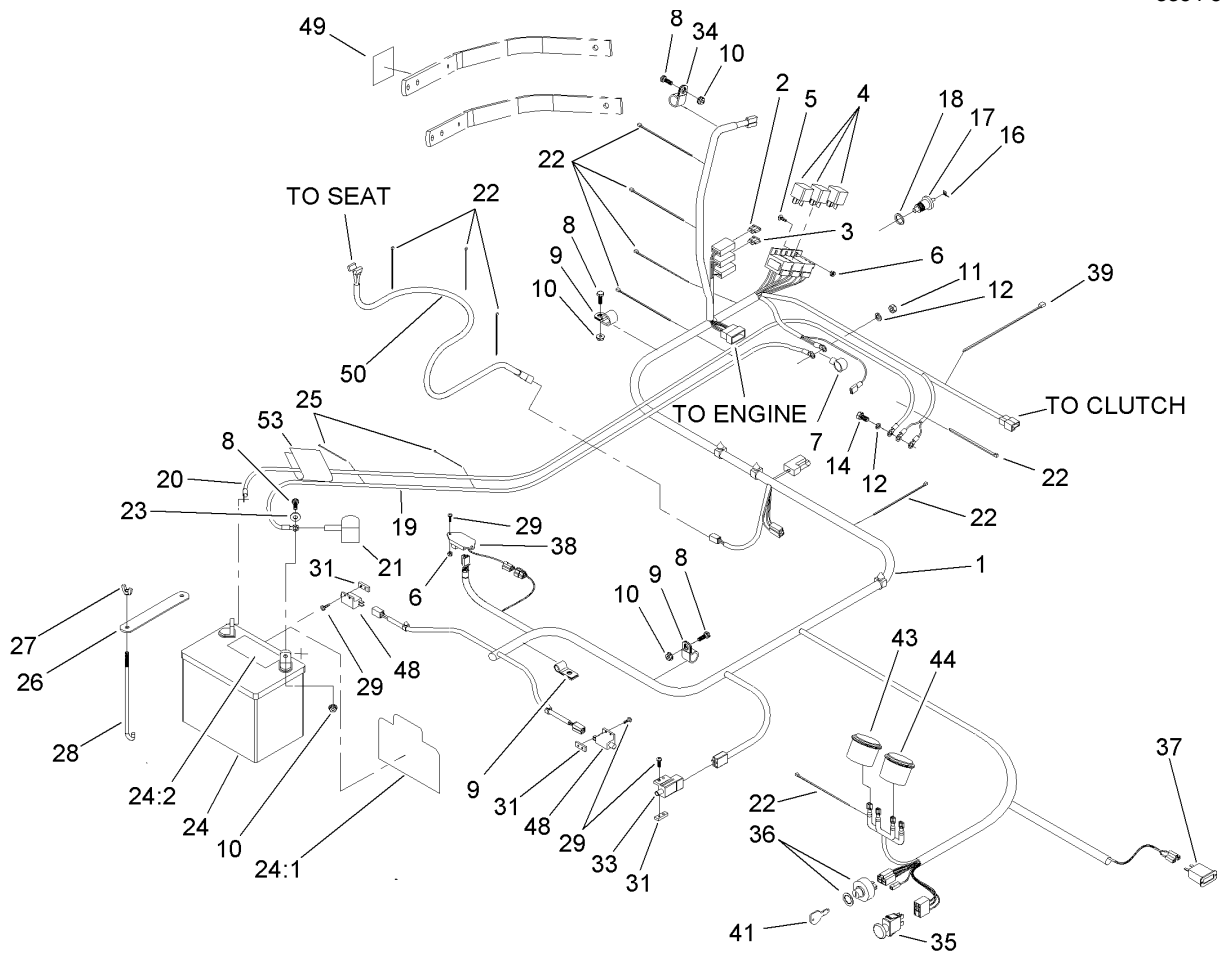
Ref	Part No.	Qty.	Description
20:3	103-5881	1	Decal-Devices, Rotating
21	321-4	4	Screw-HH
22	103-7452-03	1	Plate-Side, LH
23	3256-2	6	Washer-Flat
24	923786	4	Rivet
25	322-5	9	Screw-HH
26	1-632873-03	1	Mount-Radiator, Rear
27	1-633886-03	1	Guard-Bumper
28	1-633897-03	2	Rib-Top
29	1-633898-03	2	Rib-Bottom
30	1-633877-03	2	Bar-Hook, Latch
31	1-643189	2	Keeper-Latch, Rubber
32	3290-357	10	Nut-HHF, Whiz
33	323-6	6	Screw-HH
34	3256-23	11	Washer-Flat
35	323-7	4	Screw-HH
36	103-7623-03	2	Strap-Guard
37	103-7453-03	1	Plate-Side, RH



Fuel Tank Assembly

Ref	Part No.	Qty.	Description
1	1-303077	17	Clamp
2	110-9887	1	Control Panel ASM
2:1	110-3871-03	1	Panel-Control
2:2	110-5722	1	Decal-Panel, Control (Lc)
3	109-0302	1	Hose-Fuel
4	110-4170	1	Hose-Fuel
8	110-1876	1	Hose-Fuel
9	1-633023	6	Stud
10	105-3644	1	LH Fuel Tank Kit ASM
②10:1		1	LH Fuel Tank ASM
10:1:2	103-2605	1	Fitting-Fuel, Bulkhead
10:2	109-0346	1	Cap-Fuel, Gas
11	105-3643	1	RH Fuel Tank Kit ASM
②11:1		1	RH Fuel Tank ASM
11:1:2	103-2605	1	Fitting-Fuel, Bulkhead
11:2	109-0346	1	Cap-Fuel, Gas
12	1-603770	1	Valve-Fuel
13	109-0660	3	Hose-Fuel
14	1-633349	6	Spring-Tank, Fuel
15	321-4	2	Screw-HH
16	322-3	2	Screw-HH
17	3296-47	6	Nut-Lock, NI
18	3256-2	2	Washer-Flat
19	1-805005	2	Washer-Lock

Ref	Part No.	Qty.	Description
20	3256-23	8	Washer-Flat
23	3251-1	4	Screw-PPH
24	1-303435	4	Washer-Spring
25	321-3	2	Screw-HH
26	1-805004	2	Washer-Lock
28	1-513762	1	Clip-Loom
29	32128-33	2	Nut-HF
31	99-5005	1	Fitting-Tee, Barbed
32	99-5000	2	Valve-Check, Fuel
33	109-0678	2	Hose-Fuel
44	110-5717	1	Cable-Throttle
45	110-5720	1	Control-Choke, Push / Pull
46	1-807513	2	Bolt-CARR
47	1-603175	1	Knob-Ball
48	3296-2	2	Nut-Lock
49	1-303335	4	Tie-Plastic

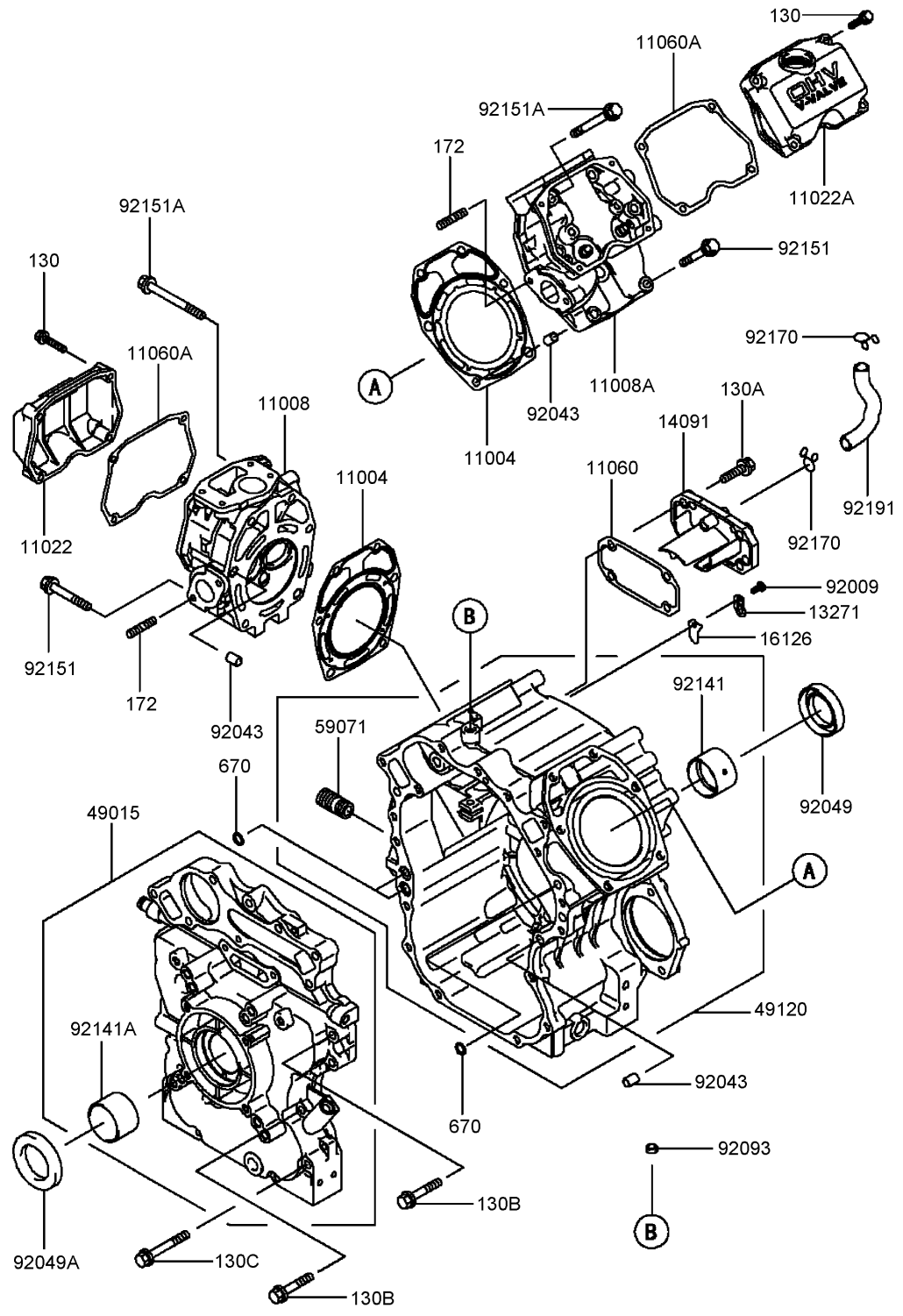


Electrical Components Assembly

Ref	Part No.	Qty.	Description
1	106-7496	1	Harness-Wire
2	1-816001	1	Fuse-Blade Type, 20 Amp
3	1-816003	1	Fuse-Blade Type, 30 Amp
4	1-643275	3	Relay
5	1-803071	2	Screw
6	3296-2	4	Nut-Lock
7	1-543393	1	Insulator-Solenoid
8	321-4	5	Screw-HH
9	1-633396	3	Clip-Loom
10	32128-33	5	Nut-HF
11	33014-00	1	Nut-Hex
12	3256-23	2	Washer-Flat
14	33114-016	1	Screw-HH
16	1-643145	1	Tab
17	103-0283	1	Sender-Temperature
18	1-643153	1	Washer-Aluminum
19	1-523279	1	Wire-Battery, Positive
20	1-633307	1	Wire-Ground
21	1-543391	1	Insulator-Battery
22	1-303335	10	Tie-Plastic
23	3256-2	2	Washer-Flat
24	105-1692	1	Battery
24:1	104-4163	1	Decal-Battery
24:2	104-4164	1	Decal-Battery

Ref	Part No.	Qty.	Description
25	1-303287	2	Tie-Plastic
26	107-9277-03	1	Strap-Holddown, Battery
27	1-543792	2	Wingnut
28	1-633651	2	Bolt-Holddown
29	3290-500	8	Screw-PPH
31	1-633181	3	Plate-Tapped
33	1-633111	1	Switch
34	1-513762	1	Clip-Loom
35	103-5221	1	Switch-PTO
36	103-0206	1	Switch-Starting, Key
37	1-513374	1	Meter-Hour
38	100-6186	1	Module-Delay, Seat
39	1-643115	1	Tie-Plastic
41	63-8360	2	Key-Ignition
43	1-643037	1	Gauge-Voltmeter
44	1-643021	1	Gauge-Temperature
48	1-513051	2	Switch-Open, Normally
49	103-1027	1	Decal-Relay
50	103-1227	1	Harness-Wiring, Seat
53	107-9309	1	Decal-Instructions, Charging

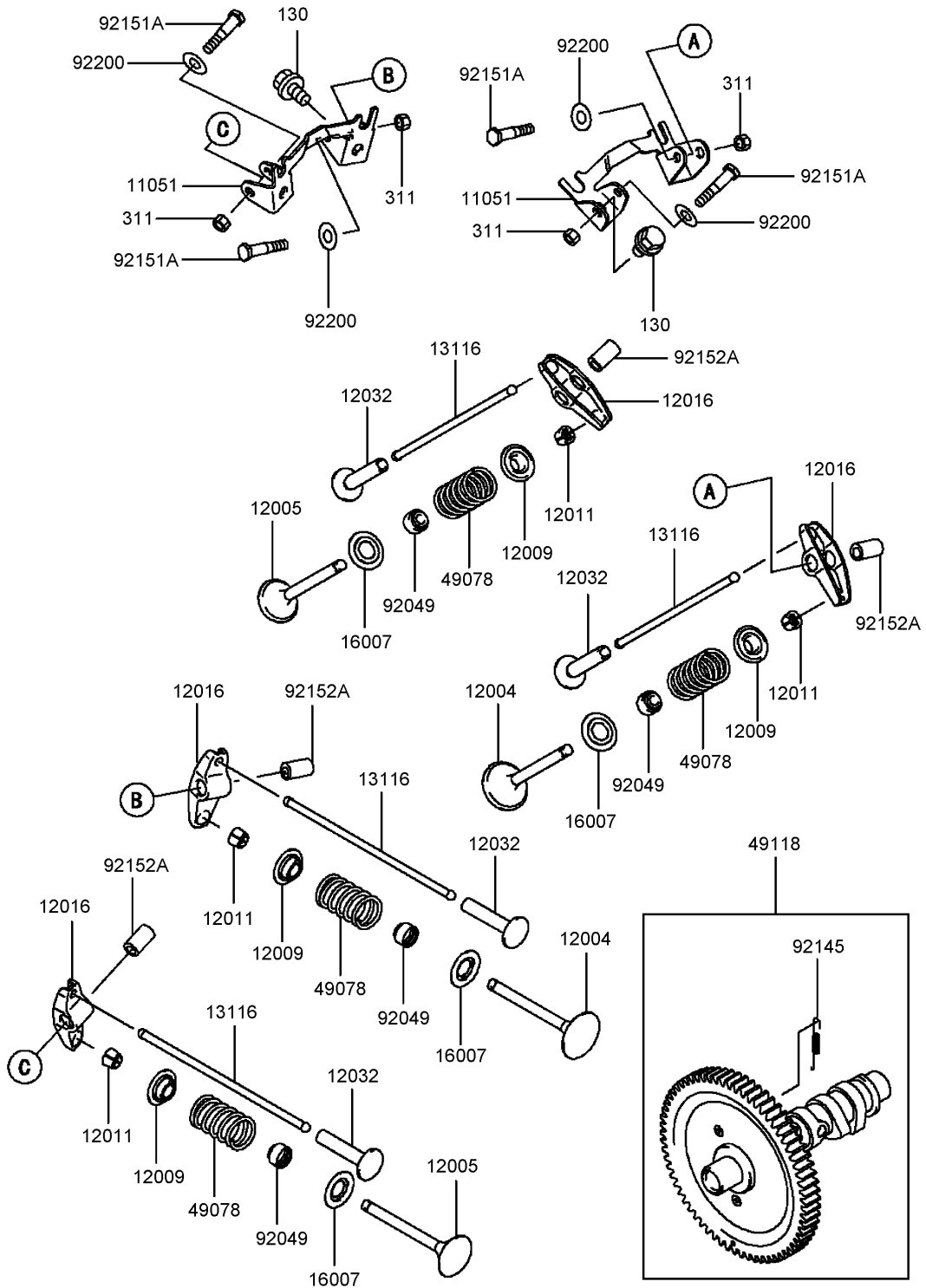
Cylinder and Crankcase Assembly Kawasaki FD750D-BS03



Cylinder and Crankcase Assembly Kawasaki FD750D-BS03

Ref	Part No.	Qty.	Description				
③11004	11004-2142	2	Gasket-Head				
③11008	11008-2145	1	Head-Cylinder				
③11008A	11008-2146	1	Head-Cylinder				
③11022	11022-2072	1	Case-Rocker				
③11022A	11022-2073	1	Case-Rocker				
③11060	11060-2466	1	Gasket-Breather				
③11060A	11060-2470	2	Gasket-Case, Rocker				
③13271	13271-2105	2	Plate				
③14091	14091-2064	1	Cover-Breather				
③16126	16126-2225	2	Valve-Breather				
③49015	49015-6232	1	Cover-Crankcase				
③49120	49120-6127	1	Crankcase				
③59071	59071-2079	1	Joint				
③92009	92009-2308	2	Screw				
③92043	92043-1037	6	Pin				
③92049	92049-2242	1	Seal-Oil				
③92049A	92049-2243	1	Seal-Oil				
③92093	92093-2086	1	Seal				
③92141	92141-2118	1	Bearing-Plane				
③92141A	92141-2119	1	Bearing-Plane				
③92151	92151-2158	4	Bolt				
③92151A	92151-2159	8	Bolt				
③92170	92170-2002	2	Clamp				
③92191	92191-2105	1	Tube				
③130	130G0630	8	Bolt-Flanged				
③130A	130G0830	4	Bolt-Flanged				
③130B	130G0845	6	Bolt				
③130C	130G0860	4	Bolt-Flanged				
③172	172G0822	4	Bolt-Stud				
③670	670B2011	3	O-Ring				

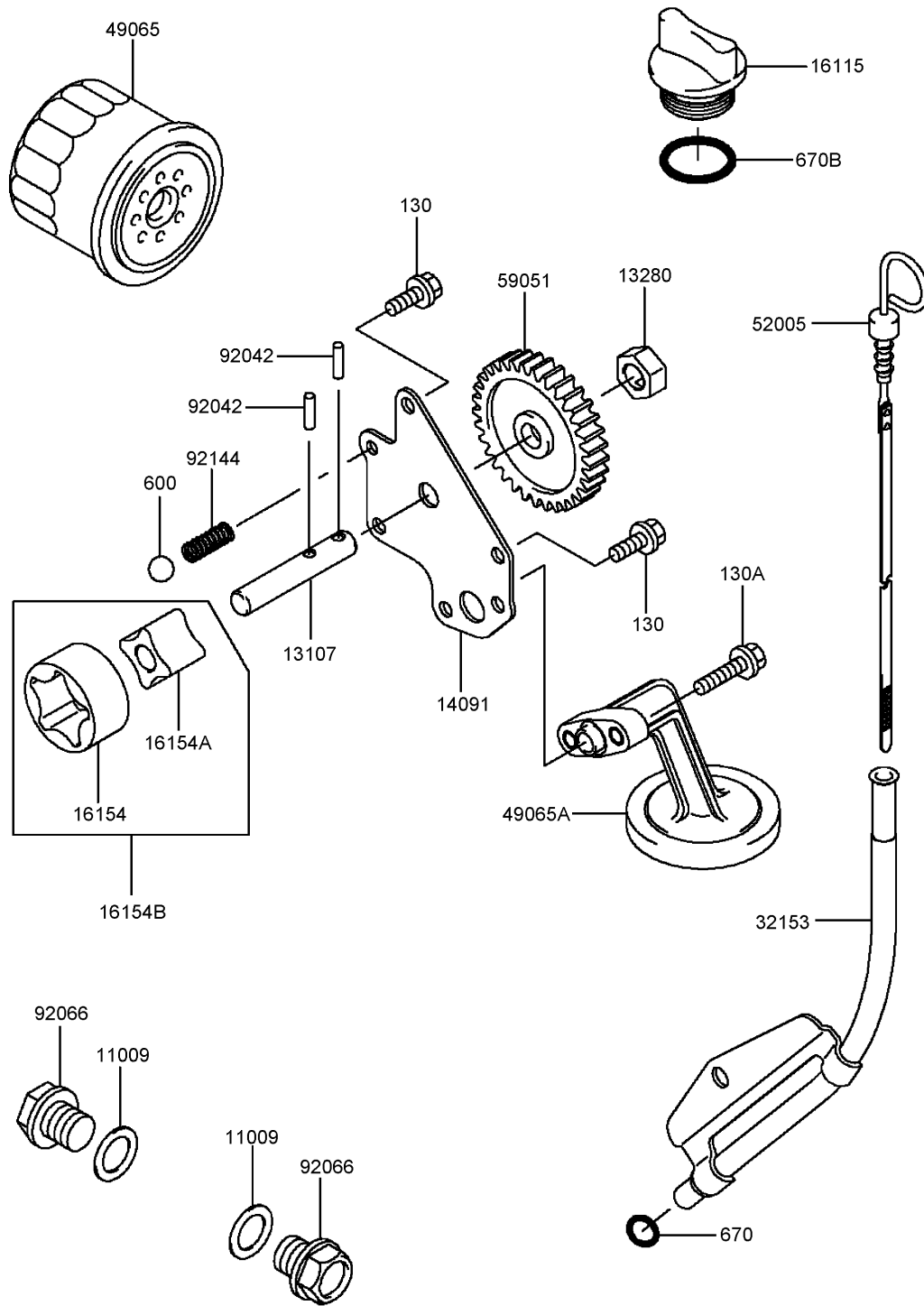
Valve and Camshaft Assembly Kawasaki FD750D-BS03



Valve and Camshaft Assembly Kawasaki FD750D-BS03

Ref	Part No.	Qty.	Description				
③11051	11051-2092	2	Bracket				
③12004	12004-2113	2	Valve-Intake				
③12005	12005-2100	2	Valve-Exhaust				
③12009	12009-2060	4	Retainer-Spring, Valve				
③12011	12011-2052	8	Collet				
③12016	12016-2063	4	Arm-Rocker				
③12032	12032-2060	4	Tappet				
③13116	13116-2074	4	Rod-Push				
③16007	16007-2052	4	Seat-Spring				
③49078	49078-2060	4	Spring-Valve, Engine				
③49118	49118-2138	1	Camshaft				
③92049	92049-2100	4	Seal-Oil				
③92145	92145-2085	1	Spring				
③92151A	92151-2165	4	Bolt-M6				
③92152A	92152-2077	4	Collar				
③92200	92200-2128	4	Washer				
③130	130G0814	4	Bolt-Flanged				
③311	311B0600	4	Nut-Hex				

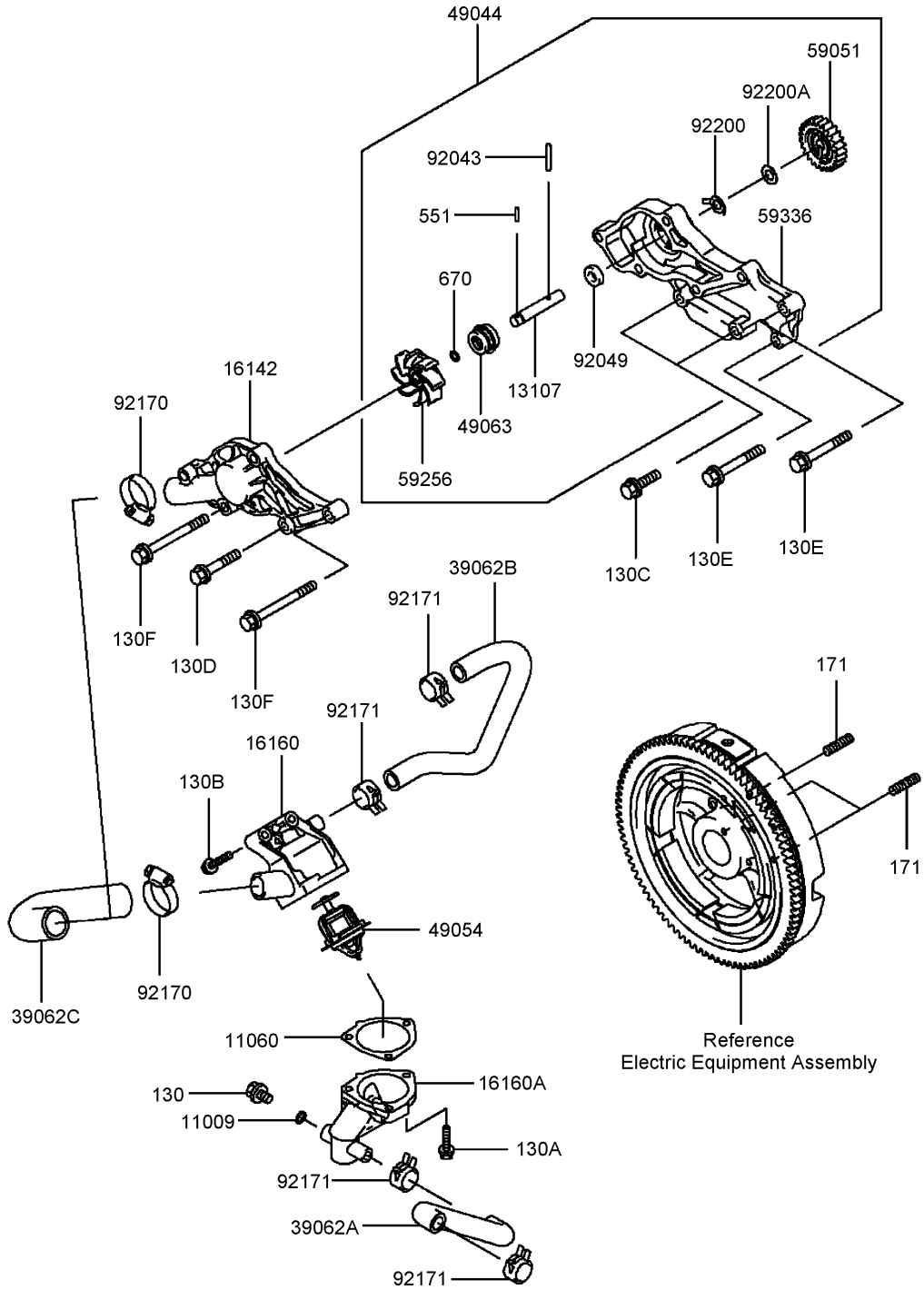
Lubrication Equipment Assembly Kawasaki FD750D-BS03



Lubrication Equipment Assembly Kawasaki FD750D-BS03

Ref	Part No.	Qty.	Description				
③11009	11009-2566	2	Gasket-Plug, Drain				
③13107	13107-2281	1	Shaft-Pump, Oil				
③13280	13280-2061	1	Holder-Pump, Oil				
③14091	14091-2065	1	Cover-Pump, Oil				
③16115	16115-2126	1	Cap-Filler, Oil				
③16154	16154-1075	1	Rotor-Pump, Outer				
③16154A	16154-1076	1	Rotor-Pump, Inner				
③16154B	16154-1079	1	Rotor-Pump				
③32153	32153-2076-9H	1	Pipe-Gauge, Oil				
③49065	49065-2071	1	Filter-Oil				
③49065A	49065-2082	1	Filter				
③52005	52005-2132	1	Gauge-Oil				
③59051	59051-2354	1	Gear-Spur, 33T				
③92042	92042-014	2	Pin				
③92066	92066-2099	2	Plug-Drain				
③92144	92144-2053	1	Spring				
③130	130G0616	3	Bolt				
③130A	130G0625	2	Bolt-Flanged				
③600	600A1300	1	Ball-Steel				
③670	670B2010	1	O-Ring (10Mm)				
③670B	670B3025	1	O-Ring				

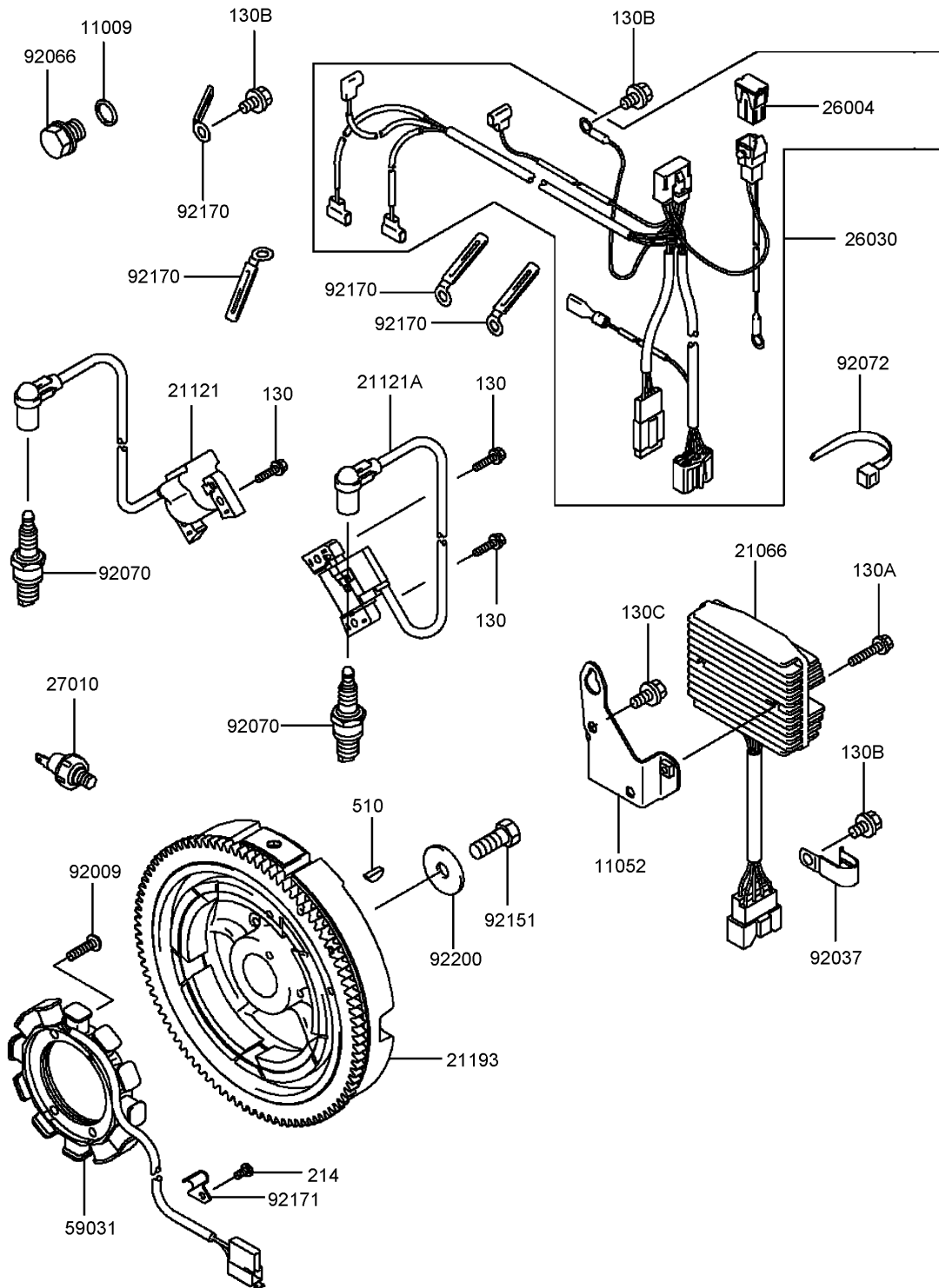
Cooling Equipment Assembly Kawasaki FD750D-BS03



Cooling Equipment Assembly Kawasaki FD750D-BS03

Ref	Part No.	Qty.	Description				
③11009	11009-3028	1	Gasket				
③11060	11060-2475	1	Gasket-Thermostat				
③13107	13107-2097	1	Shaft-Impeller				
③16142	16142-2077	1	Cover-Pump				
③16160	16160-2127	1	Body-Upper				
③16160A	16160-6002	1	Body-Valve				
③39062A	39062-2083	1	Hose-Cooling				
③39062B	39062-2084	1	Hose-Cooling				
③39062C	39062-2089	1	Hose-Cooling				
③49044	49044-2063	1	Pump-Water				
③49054	49054-2058	1	Thermostat				
③49063	49063-1054	1	Seal-Mechanical				
③59051	59051-2355	1	Gear-Spur, 25T				
③59256	59256-2069	1	Impeller				
③59336	59336-2078	1	Case-Pump				
③92043	92043-2237	1	Pin				
③92049	92049-2111	1	Seal-Oil				
③92170	92170-1284	2	Clamp				
③92171	92171-2056	4	Clamp				
③92200	92200-2134	1	Washer				
③92200A	92200-2135	1	Washer				
③130	130C0812	1	Bolt-Flanged				
③130A	130G0625	3	Bolt-Flanged				
③130B	130G0635	2	Bolt-Flanged				
③130C	130G0830	2	Bolt-Flanged				
③130D	130G0845	1	Bolt				
③130E	130G0860	2	Bolt-Flanged				
③130F	130G0880	4	Bolt-Flanged				
③171	171G0818	3	Bolt-Stud				
③551	551A0314	1	Pin-Dowel				
③670	670B1507	1	O Ring				

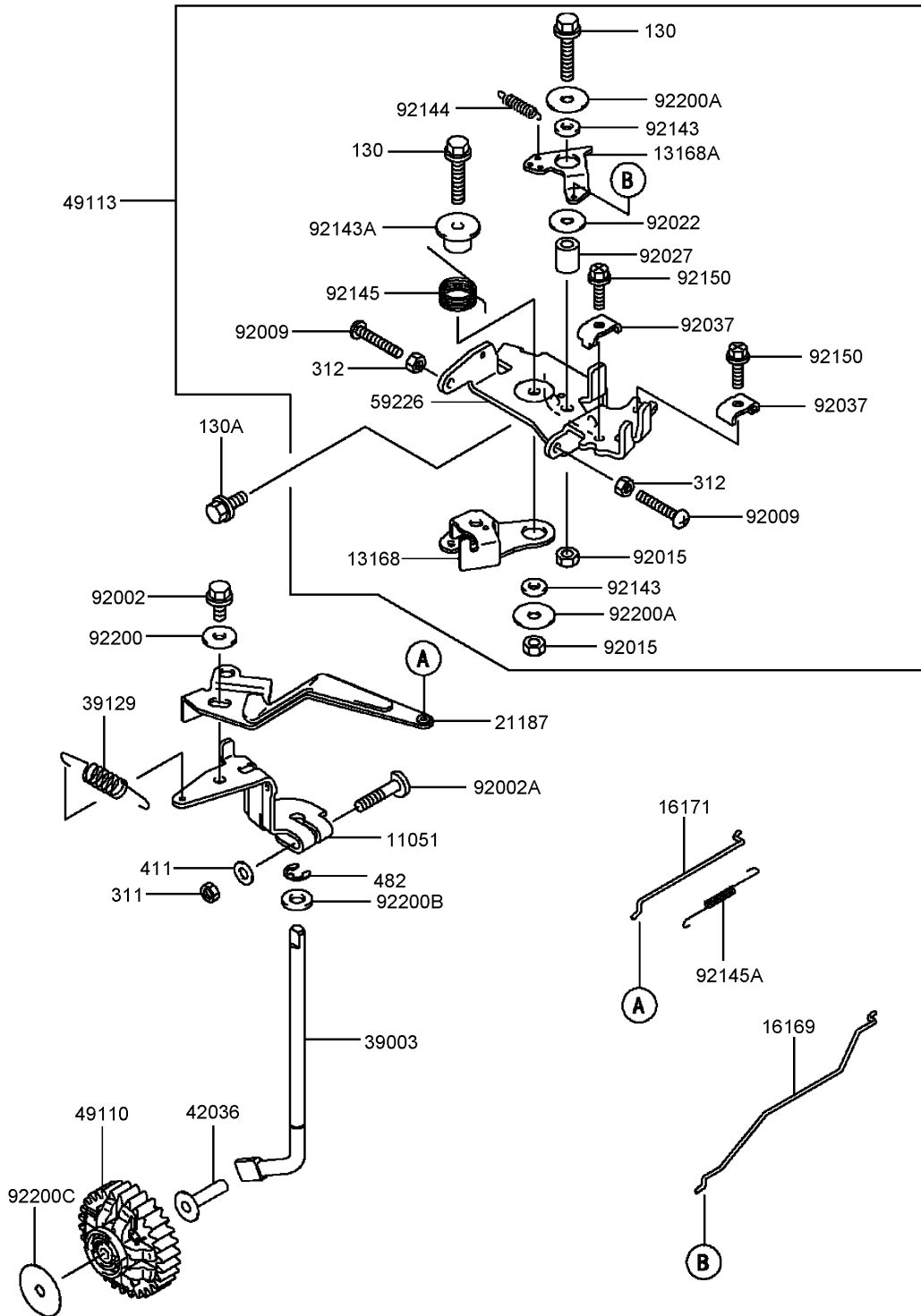
Electric Equipment Assembly Kawasaki FD750D-BS03



Electric Equipment Assembly Kawasaki FD750D-BS03

Ref	Part No.	Qty.	Description				
③11009	11009-2766	1	Gasket				
③11052	11052-2058	1	Bracket				
③21066	21066-2079	1	Regulator-Voltage				
③21121	21121-2090	1	Coil-Ignition, No. 1				
③21121A	21121-2091	1	Coil-Ignition, No. 2				
③21193	21193-2177	1	Flywheel ASM				
③26004	26004-1093	1	Fuse ASM				
③26030	26030-2320	1	Harness				
③27010	27010-7001	1	Switch				
③59031	59031-2127	1	Coil-Charging				
③92009	92009-2273	4	Screw				
③92037	92037-2101	1	Clamp				
③92066	92066-2099	1	Plug-Drain				
③92070	92070-2110	2	Plug-Spark, Bpr2Es				
③92072	92072-1195	1	Band				
③92151	92151-2097	1	Bolt (12X30)				
③92170	92170-2060	5	Clamp				
③92171	92171-2060	1	Clamp				
③92200	92200-2119	1	Washer				
③130	130G0520	4	Bolt-Flanged				
③130A	130G0630	2	Bolt-Flanged				
③130B	130G0812	3	Bolt				
③130C	130G0816	2	Bolt-Flanged				
③214	214B0510	1	Screw-Pan				
③510	510A5100	1	Key-Woodruff				

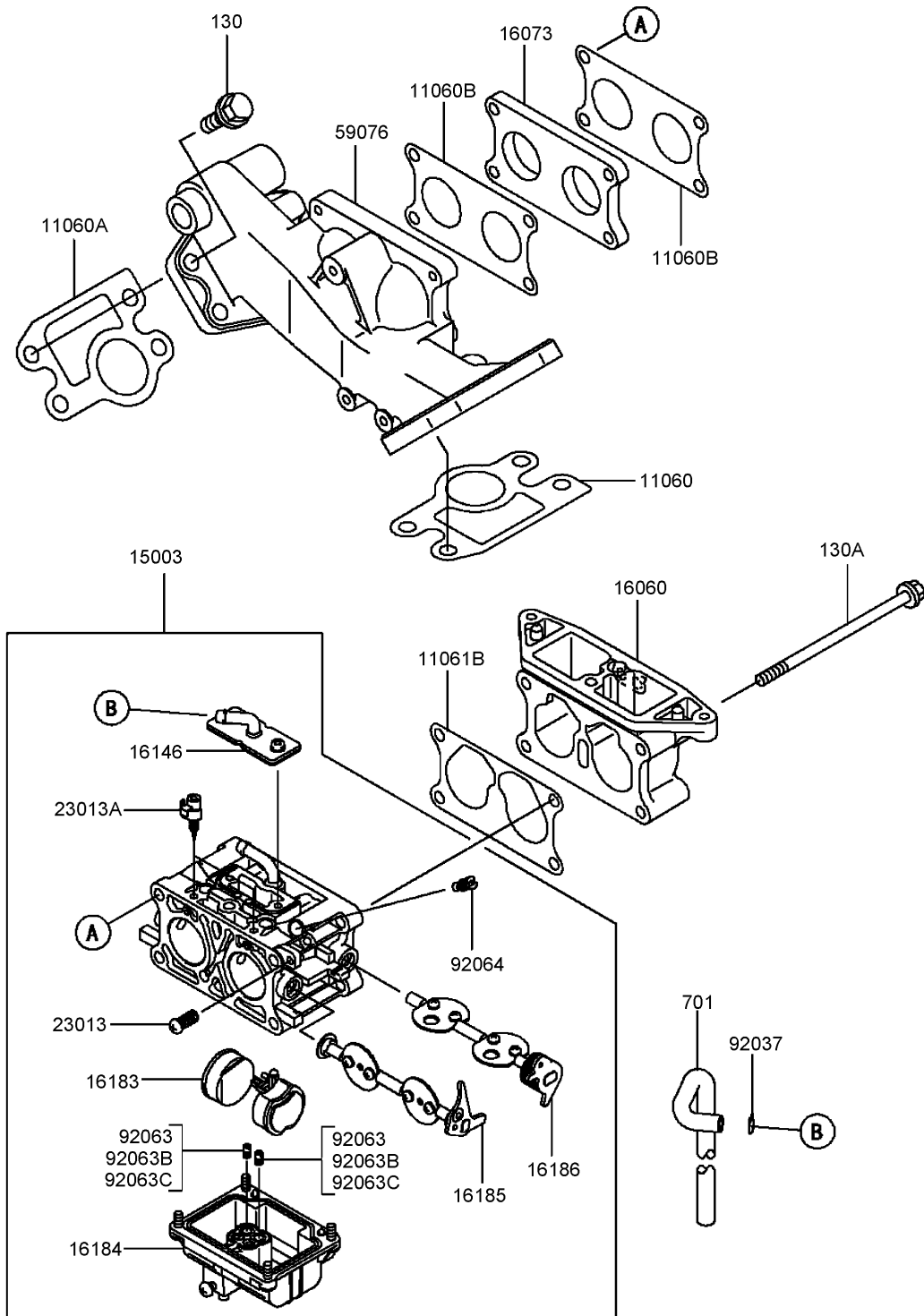
Control Equipment Assembly Kawasaki FD750D-BS03



Control Equipment Assembly Kawasaki FD750D-BS03

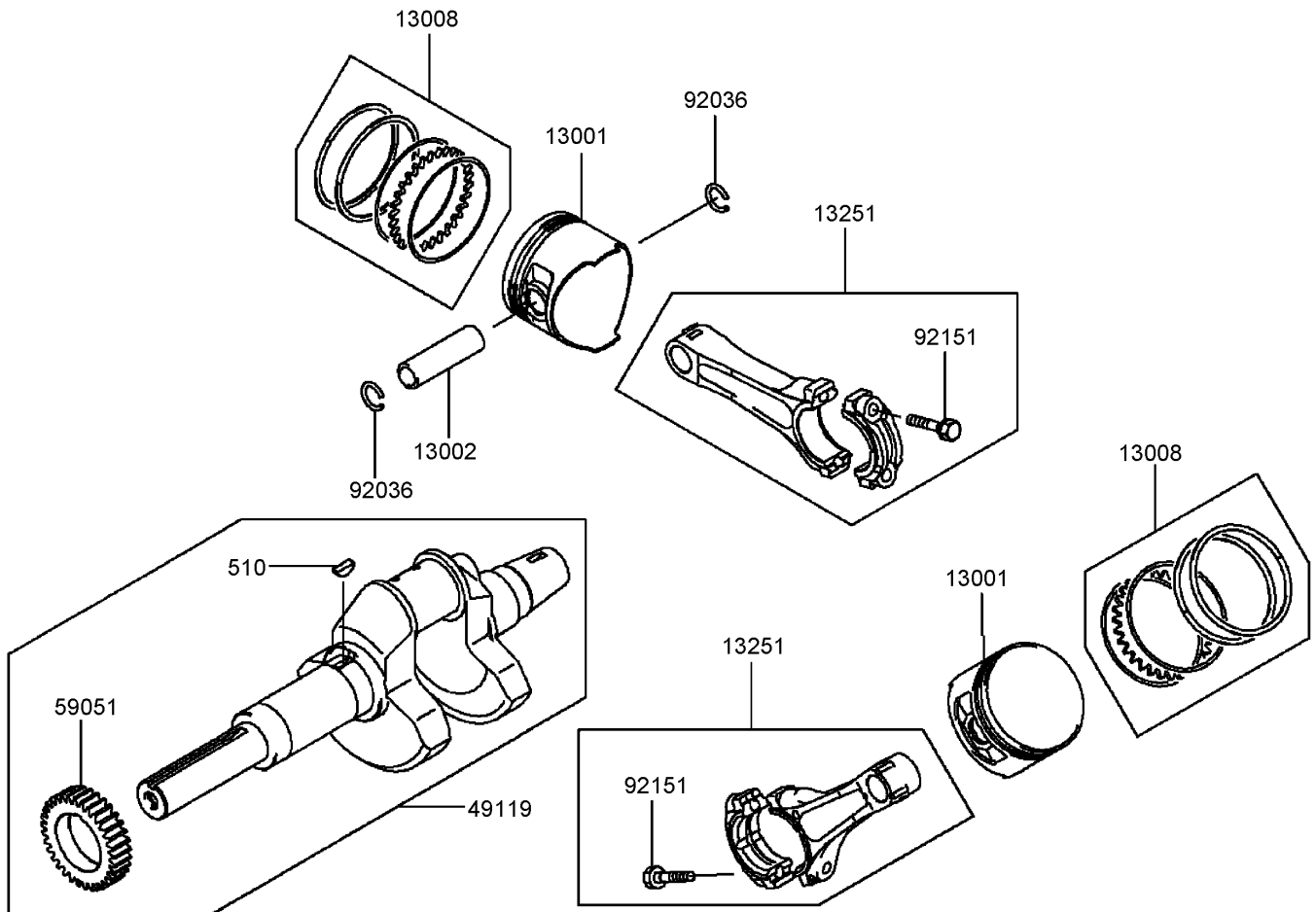
Ref	Part No.	Qty.	Description				
③11051	11051-2113	1	Bracket				
③13168	13168-2466	1	Lever-Throttle				
③13168A	13168-2467	1	Lever-Choke				
③16169	16169-2142	1	Link-Choke				
③16171	16171-2091	1	Link				
③21187	21187-2073	1	Arm ASM				
③39003	39003-2091	1	Arm-Pivot				
③39129	39129-2099	1	Spring-Governor				
③42036	42036-2060	1	Sleeve				
③49110	49110-2094	1	Governor ASM				
③49113	49113-2170	1	Control Panel ASM				
③59226	59226-2328	1	Panel-Control				
③92002	92002-1902	1	Bolt				
③92002A	92002-2269	1	Bolt				
③92009	92009-2381	2	Screw				
③92015	92015-2051	2	Nut				
③92022	92022-2372	1	Washer-6X19X1.2				
③92027	92027-1461	1	Collar				
③92037	92037-2209	2	Clamp				
③92143	92143-2135	2	Collar-6X13X2.3				
③92143A	92143-2148	1	Collar				
③92144	92144-2052	1	Spring				
③92145	92145-2058	1	Spring				
③92145A	92145-2095	1	Spring				
③92150	92150-2182	2	Bolt (5X18)				
③92200	92200-2035	1	Washer				
③92200A	92200-2108	2	Washer				
③92200B	92200-2120	1	Washer				
③92200C	92200-2122	1	Washer				
③130	130B0630	2	Bolt-Flanged				
③130A	130G0614	2	Bolt				
③311	311B0600	1	Nut-Hex				
③312	312B0500	2	Nut-Hex				
③411	411b0600	1	Washer-Plain				
③482	482J7000	1	Circlip-Type E				

Carburetor Assembly Kawasaki FD750D-BS03



Carburetor Assembly Kawasaki FD750D-BS03

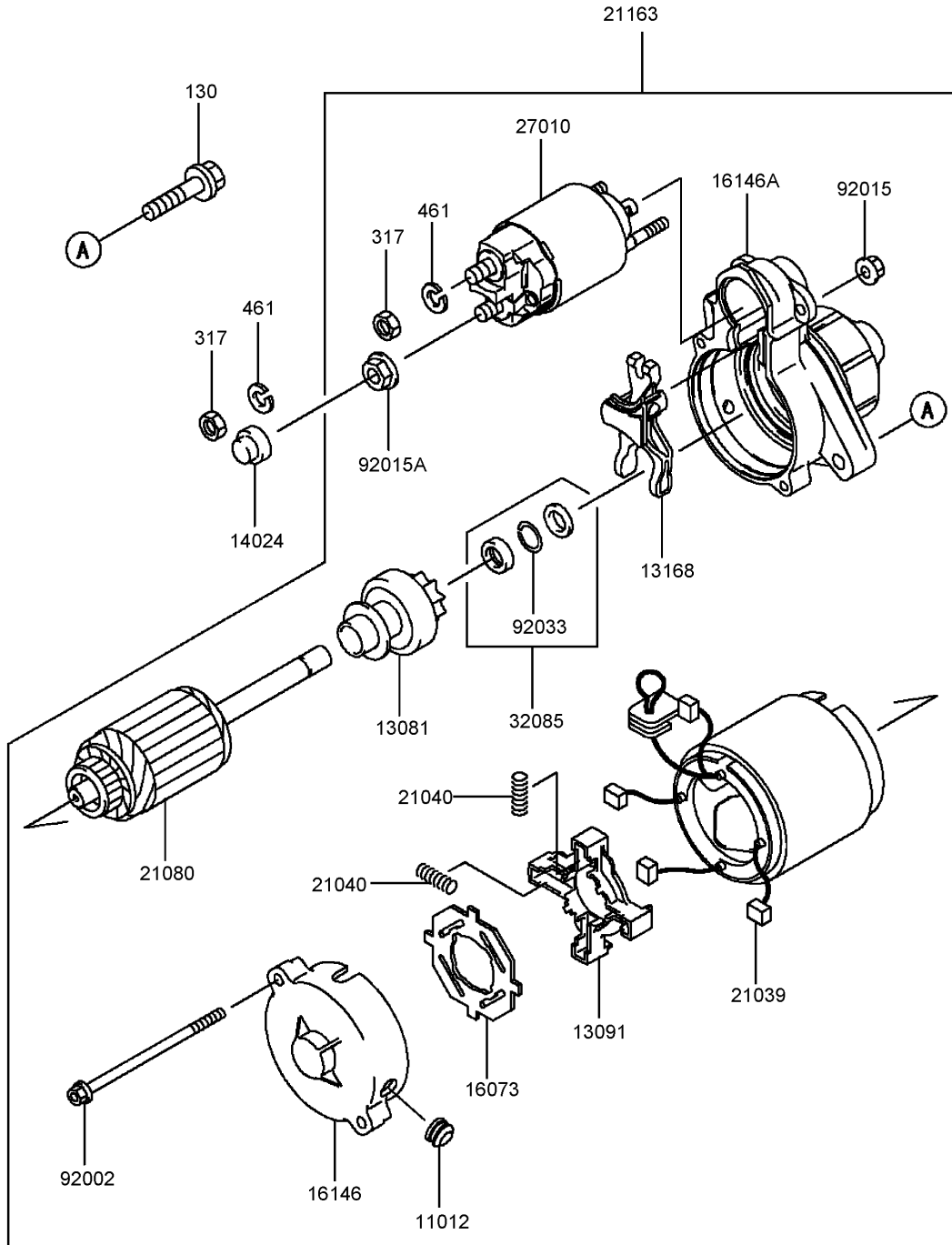
Ref	Part No.	Qty.	Description				
③11060	11060-2468	1	Gasket-Intake				
③11060A	11060-2469	1	Gasket-Intake				
③11060B	11060-2471	2	Gasket-Pipe, Intake				
③11061B	11061-2075	1	Gasket				
③15003	15003-2776	1	Carburetor ASM				
③16060	16060-2194	1	Pipe-Intake				
③16073	16073-2206	1	Insulator				
③16146	16146-2227	1	Cover ASM				
③16183	16183-2006	1	Float ASM				
③16184	16184-2004	1	Float Chamber ASM				
③16185	16185-2036	1	Throttle Valve ASM				
③16186	16186-2036	1	Choke Valve ASM				
③23013	23013-2059	1	Screw ASM				
③23013A	23013-2060	1	Screw ASM				
③59076	59076-2065	1	Manifold-Intake				
③92037	92037-1610	1	Clamp				
③92063	92063-2400	1	Jet-Main				
③92063B	92063-2401	2	Jet-Main (No. 98.8)				
③92063C	92063-2412	1	Jet-Main (No. 93.8)				
③92064	92064-2113	2	Jet-Pilot				
③130	130G0825	8	Bolt				
③130A	130T06110	4	Bolt-Flanged				
③701	701Q061000	1	Tube-Pvc				



Piston and Crankshaft Assembly Kawasaki FD750D-BS03

Ref	Part No.	Qty.	Description
● 13001	13001-2125	2	Piston-Engine
● 13002	13002-2069	2	Pin-Piston
● 13008	13008-6007	2	Ring-Set, Piston
● 13251	13251-2058	2	Connecting Rod ASM
● 49119	49119-2198	1	Crankshaft ASM
● 59051	59051-2358	1	Gear-Spur, 33T
● 92036	92036-008	4	Ring-Snap
● 92151	92151-2150	4	Bolt
● 510	510A5100	1	Key-Woodruff

Starter Assembly Kawasaki FD750D-BS03



Starter Assembly Kawasaki FD750D-BS03

Ref	Part No.	Qty.	Description				
③11012	11012-2226	1	Cap				
③13081	13081-2108	1	Clutch ASM				
③13091	13091-2068	1	Brush Holder				
③13168	13168-2131	1	Lever				
③14024	14024-2205	1	Cover				
③16073	16073-2098	1	Insulator				
③16146	16146-2187	1	Cover ASM				
③16146A	16146-2225	1	Cover ASM				
③21039	21039-2059	4	Brush				
③21040	21040-2052	4	Spring-Brush				
③21080	21080-2054	1	Armature				
③21163	21163-2120	1	Starter-Electric				
③27010	27010-2122	1	Switch				
③32085	32085-2097	1	Stopper				
③92002	92002-2277	2	Bolt				
③92015	92015-2146	2	Nut				
③92015A	92015-2147	1	Nut				
③92033	92033-2081	1	Ring-Snap				
③130	130G0835	2	Bolt-Flanged				
③317	317B0800	2	Nut				
③461	461F0800	2	Washer-Spring				

Attachments and Accessories

For 74251 - Z587L Z Master, With 60in TURBO FORCE Side Discharge Mower

Product Name	Model/Part
Belt-Seat	100-4928
Blade-Mid Flow, 20.5 Inch	105-7715-03
Blade-Lo Flow, 20.5 Inch	105-7716-03
Blade-Hi Flow, 20.5 Inch	105-7718-03
Blade-Recycler, 20.5 Inch	105-7777-03
Blade-Atomic, 20.5 Inch	105-8777-03
60 Inch Recycler Kit	107-1611
6 Pack Blade, 20.5in Hi-Flow	108-1114
6 Pack-Blade, 20.5in Atomic	108-1115
6 Pack Blade, 20.5in Mid-Flow	108-1123
6 Pack-Blade, 20.5in Lo Flow	108-1128
6 Pack-Blade, 20.5in Recycler	110-0405
Hitch Kit	99-8925

NOTES

NOTES

