



Z149 Z Master[®] With 44in SFS Side Discharge Mower

Model No. 74411 - 260000001 and up.

Parts Catalog

Ordering Replacement Parts

To order replacement parts, please supply the part number, the quantity, and the description of each part desired.

Understanding Reference Numbers

Each Identified part in an illustration has a reference number. The reference number for a part also appears in the parts list, along with other information about the part.

This catalog uses two special reference number formats, one to indicate parts in a service assembly and another to indicate the quantity of a given part in an illustration.

Service Assembly Reference Numbers

Parts in service assemblies have reference numbers in the form a:b. The a represents the reference number of the entire service assembly and the b represents a sequential number unique to each part within the service assembly.

For example, a wheel assembly might be identified by reference number 6, the tire by 6:1, the valve by 6:2, and the wheel by 6:3. When you order the assembly identified by reference number 6, you receive all parts identified by reference numbers 6:1, 6:2, and 6:3. However, you may also order any part individually. Reference numbers of this type appear in illustrations and in part lists.

Reference Numbers Indicating Quantity

In an illustration, if a reference number indicates more than one part, the reference number has the form nX y. The n represents the quantity of the part, the X is the multiplication symbol, and the y represents the reference number.

For example, in an illustration, the reference number 2X 37 means that two of the parts identified by reference number 37 are indicated.

Contents

Description	Page	Description	Page
Front Frame Assembly 3	Fuel Tank/Fuel Valve Assembly Kawasaki FH580V AS29 25
Caster Wheel Assembly No. 1-634662 4	Cylinder/Crankcase Assembly Kawasaki FH580V AS29 26
Height-of-Cut Assembly 5	Piston/Crankshaft Assembly Kawasaki FH580V AS29 28
Main Frame Assembly 6	Valve/Camshaft Assembly Kawasaki FH580V AS29 30
Fuel System Assembly 7	Lubrication Equipment Assembly Kawasaki FH580V AS29 32
Parking Brake Assembly 8	Cooling Equipment Assembly Kawasaki FH580V AS29 34
Motion Control Assembly 9	Electric Equipment Assembly Kawasaki FH580V AS29 36
Hydraulic System Assembly 10	Control Equipment Assembly Kawasaki FH580V AS29 38
Hydraulic Pump Assembly No. 103-1942 12	Carburetor Assembly Kawasaki FH580V AS29 40
Pump Idler and Belt Assembly 13	Air Filter/Muffler Assembly Kawasaki FH580V AS29 42
Engine, Clutch and Muffler Assembly 14	Starter Assembly Kawasaki FH580V AS29 44
Deck Connection Assembly 15	Label Assembly Kawasaki FH580V AS29 46
Deck Assembly No. 107-8562 16	Attachments and Accessories List 47
Deck Decal Assembly No. 107-8580 17		
Rubber Deflector Assembly No. 108-2792 18		
Spindle Assembly No. 107-8570 19		
Electrical System Assembly 20		
Seat and Bracket Assembly 21		
Seat Assembly No. 110-0446 22		
Roll-Over-Protection-System Assembly 23		
Roll-Over-Protection-System Assembly No. 107-8093 24		

Part Description Abbreviations

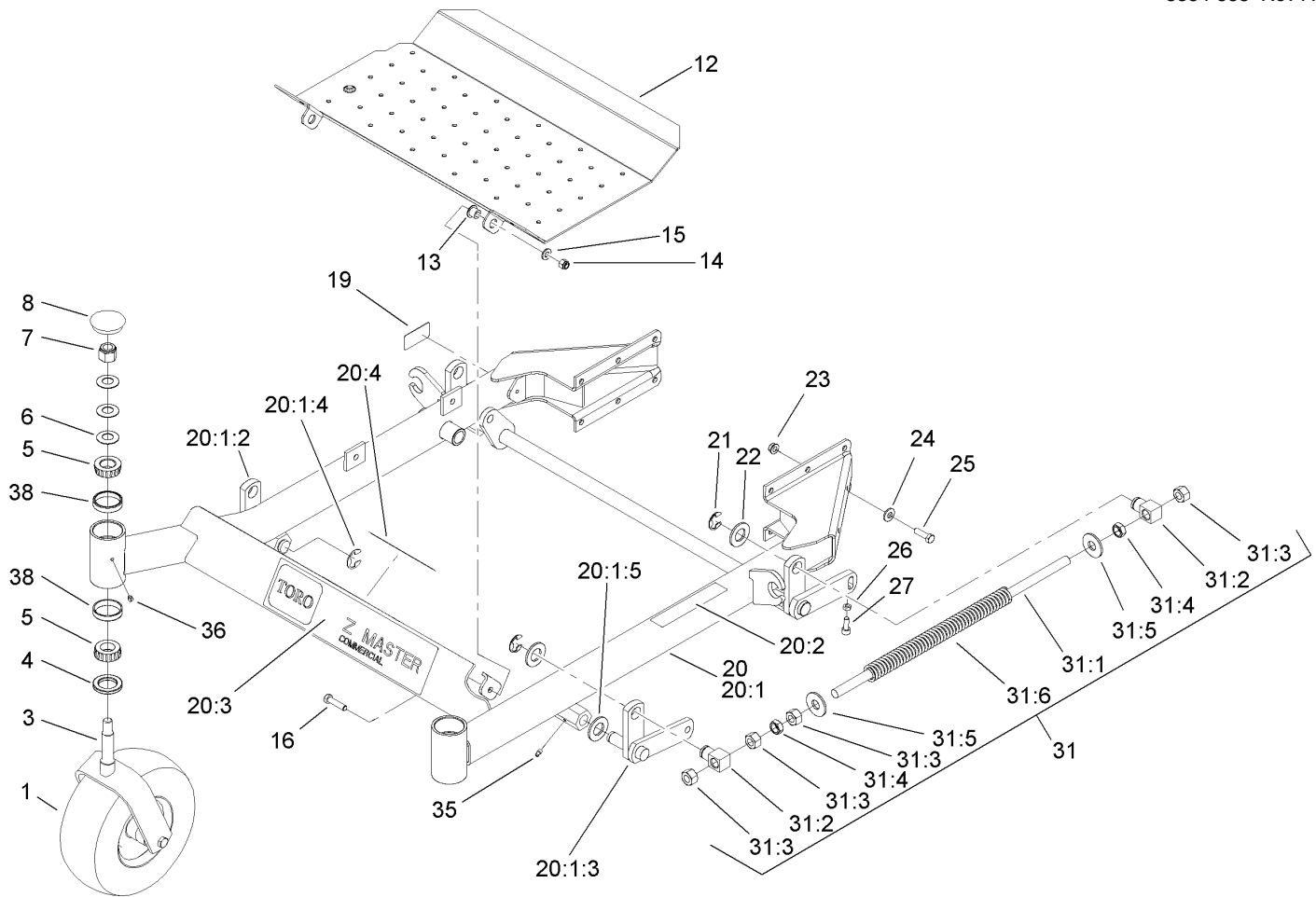
Part descriptions in this catalog may include the following abbreviations.

AR. as required	INC. incorporated
ASM. assembly	LH. left hand
BBC. blade brake clutch	NI. nylon insert
CARR. carriage	NPTF. national pipe thread fine
DEG. degrees	PFH. phillips flat head
EXT. external	PPH. phillips pan head
FH. flat head	PPHTF. phillips pan head thread forming
GA. gauge	PRH. phillips round head
HF. hex flange	PTH. phillips truss head
HH. hex head	PTO. power-take-off
HHF. hex head flange	RH. right hand
HHFTF. hex head flange thread forming	ROPS. roll-over-protection-system
HJ. hex jam	SFH. slotted fillister head
HLH. hex lag head	SHH. slotted hex head
HOC. height-of-cut	SHWH. slotted hex washer head
HSBH. hex socket button head	SPH. slotted pan head
HSFH. hex socket flat head	SQH. square head
HSH. hex socket head	SRH. slotted round head
HWH. hex washer head	STD. standard
HWHTF. hex washer head thread forming	TAP. self tapping
HYD. hydraulic	TTH. torx truss head

Footnotes

❶ Not serviced separately

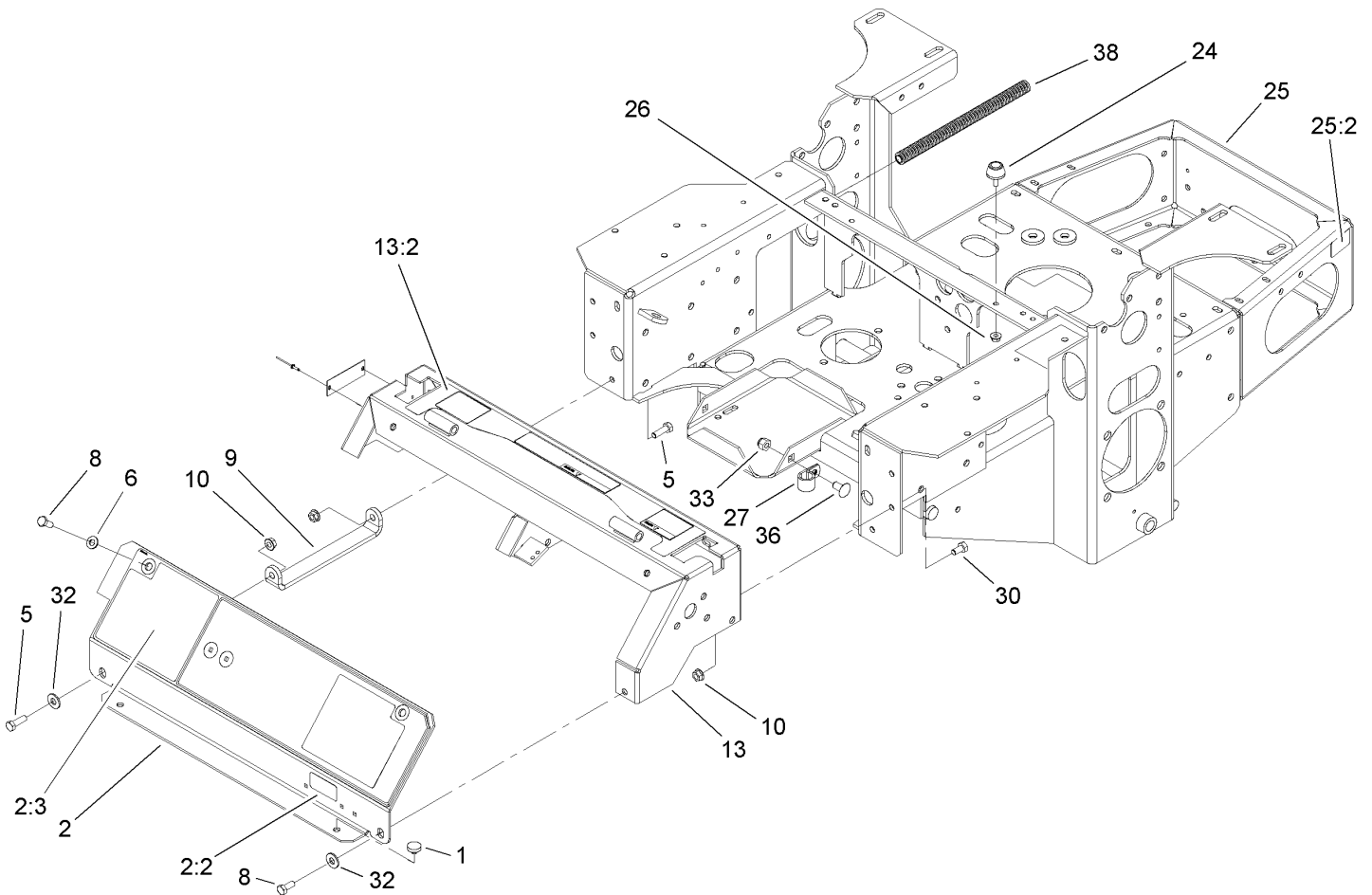
❷ Obtain from your local Kawasaki dealer



Front Frame Assembly

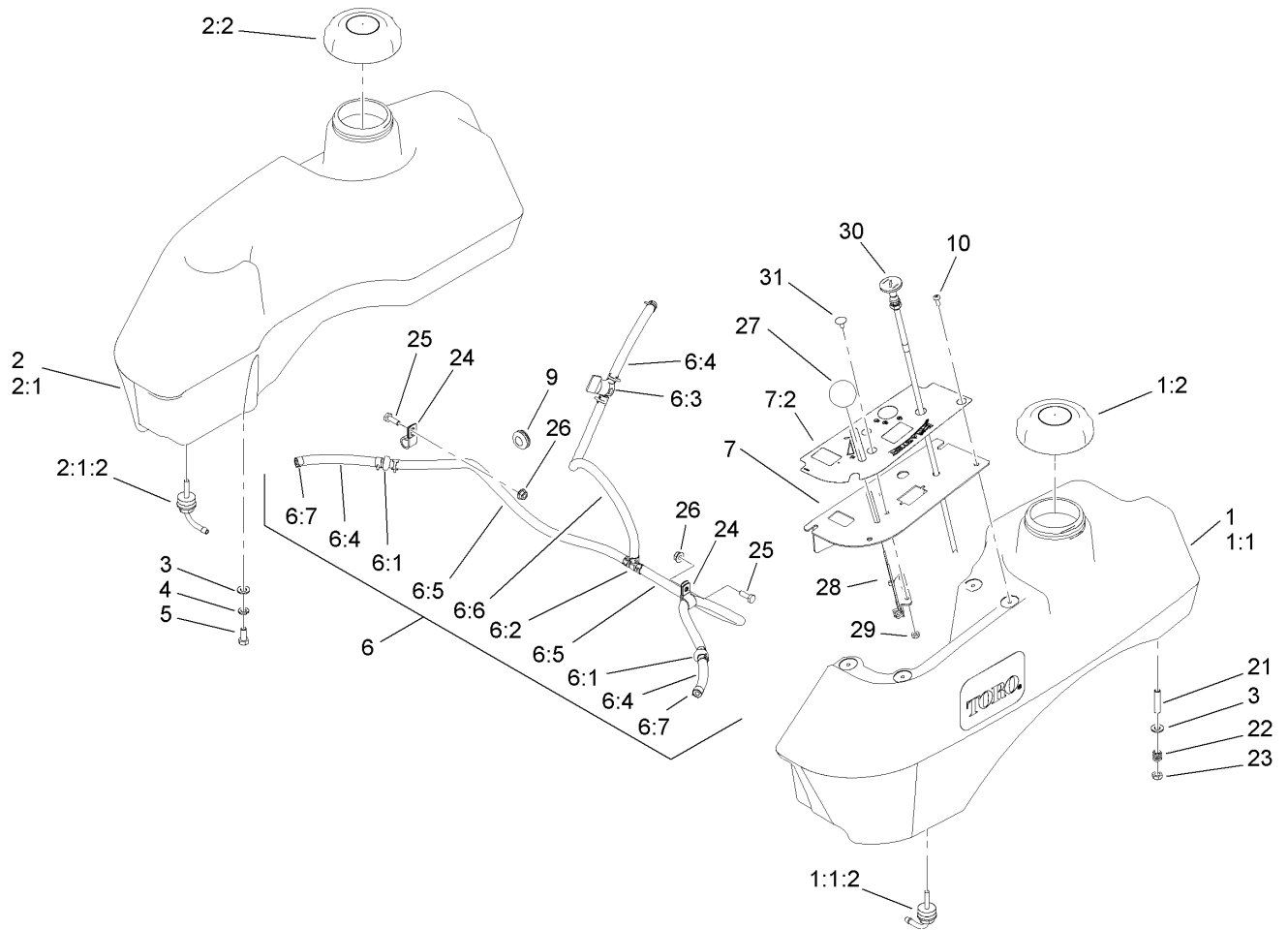
Ref	Part No.	Qty.	Description
1	1-634662	2	Caster Wheel ASM
3	1-632511-01	2	Caster
4	1-543511	2	Seal-Grease
5	254-94	4	Bearing-Cone, Tapered
6	1-633508	6	Washer-Bellville
7	3296-51	2	Nut-Lock, NI
8	103-4882	2	Cap-Grease
12	108-5007-03	1	Floor Pan
13	86-2180	2	Bushing-Flange
14	3296-39	2	Nut-Lock, NI
15	3256-24	2	Washer-Flat
16	323-8	2	Screw-HH
19	108-5278	1	Decal
20	108-5022	1	Front Frame ASM
● 20:1		1	Frame-Front
20:1:2	99-3872	1	RH Lift Arm ASM
20:1:3	99-3871	1	LH Lift Arm ASM
20:1:4	32151-103	2	Ring-Snap
20:1:5	3256-29	2	Washer-Flat
20:2	1-633818	1	Decal-Warning
20:3	106-7451	1	Decal
20:4	107-2112	1	Decal-Warning
21	32151-103	4	Ring-Snap
22	3256-29	4	Washer-Flat

Ref	Part No.	Qty.	Description
23	3290-357	12	Nut-HHF, Whiz
24	98-5975	12	Washer-Bellville
25	323-7	12	Screw-HH
26	3218-2	2	Nut-Jam
27	3274-18	2	Screw-HSH
31	1-634439	2	Front Frame Spring ASM
31:1	1-633096	1	Rod-Lift, Deck
31:2	1-633441	2	Swivel-Deck Mount, Rear
31:3	3217-11	4	Nut-Hex
31:4	3218-6	2	Nut-Jam
31:5	3256-7	2	Washer-Flat
31:6	1-633064	1	Spring-Support, Deck
35	302-19	4	Fitting-Grease
36	1-811010	2	Plug
38	254-72	4	Bearing-Cup, Tapered



Main Frame Assembly

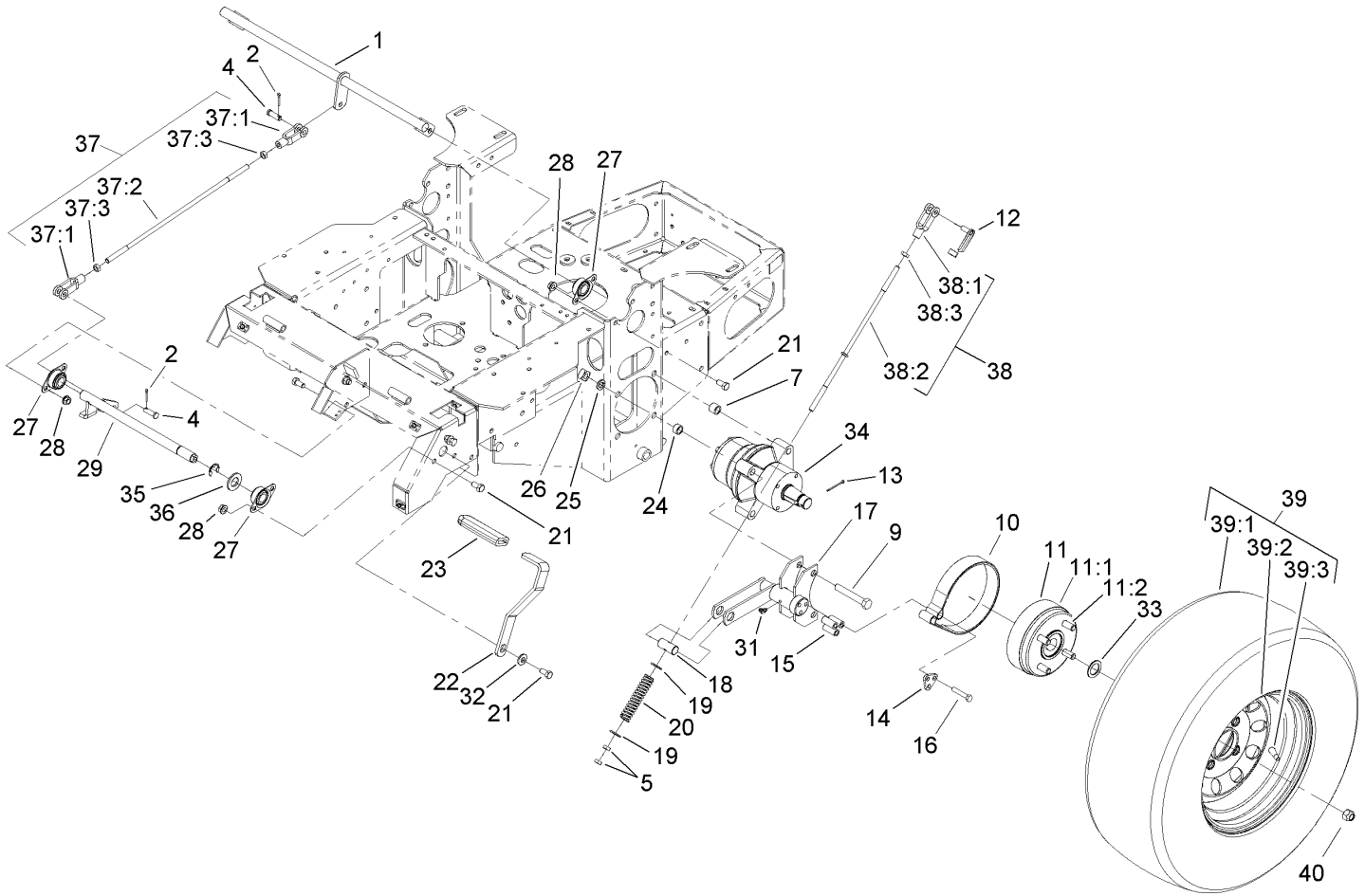
Ref	Part No.	Qty.	Description
1	1-513658	2	Bumper
2	108-1864	1	Panel ASM
2:2	98-4387	1	Decal-Protection, Ear
2:3	107-8445	1	Decal-Cover, Panel
5	322-5	2	Screw-HH
6	3256-23	2	Washer-Flat
8	322-3	3	Screw-HH
9	103-7935-03	1	Bracket, Instrument Panel
10	32128-20	6	Nut-HF
13	108-5997	1	Console ASM
13:2	108-5995	1	Decal-Warning
24	1-523420	2	Bumper
25	108-2783	1	Main Frame ASM
25:2	65-2690	2	Decal-Surface, Hot
26	32128-33	2	Nut-HF
27	1-633396	1	Clip-Loom
30	322-2	4	Screw-HH
32	3256-3	2	Washer-Flat
33	3296-39	1	Nut-Lock, NI
36	3231-21	1	Screw-CARR
38	24-7922	2	Cover-Shaft, Drive



Fuel System Assembly

Ref	Part No.	Qty.	Description
1	105-3639	1	RH Fuel Tank Kit ASM
1:1		1	RH Fuel Tank ASM
1:1:2	103-2605	1	Fitting-Fuel, Bulkhead
1:2	109-0346	1	Cap-Fuel, Gas
2	110-4165	1	LH Fuel Tank Kit ASM
2:1		1	LH Fuel Tank ASM
2:1:2	103-2605	1	Fitting-Fuel, Bulkhead
2:2	109-0346	1	Cap-Fuel, Gas
3	3256-23	8	Washer-Flat
4	1-805005	4	Washer-Lock
5	322-3	4	Screw-HH
6		1	Fuel Line ASM
6:1	99-5000	2	Valve-Check, Fuel
6:2	99-5005	1	Fitting-Tee, Barbed
6:3	1-603770	1	Valve-Fuel
6:4	109-0678	3	Hose-Fuel
6:5	110-5701	2	Hose-Fuel
6:6	109-0297	1	Hose-Fuel
6:7	1-303077	12	Clamp
7	107-2149	1	Control Panel ASM
7:2	110-0439	1	Decal-Panel, Control
9	1-543296	2	Grommet
10	1-803071	4	Screw
21	1-633023	4	Stud

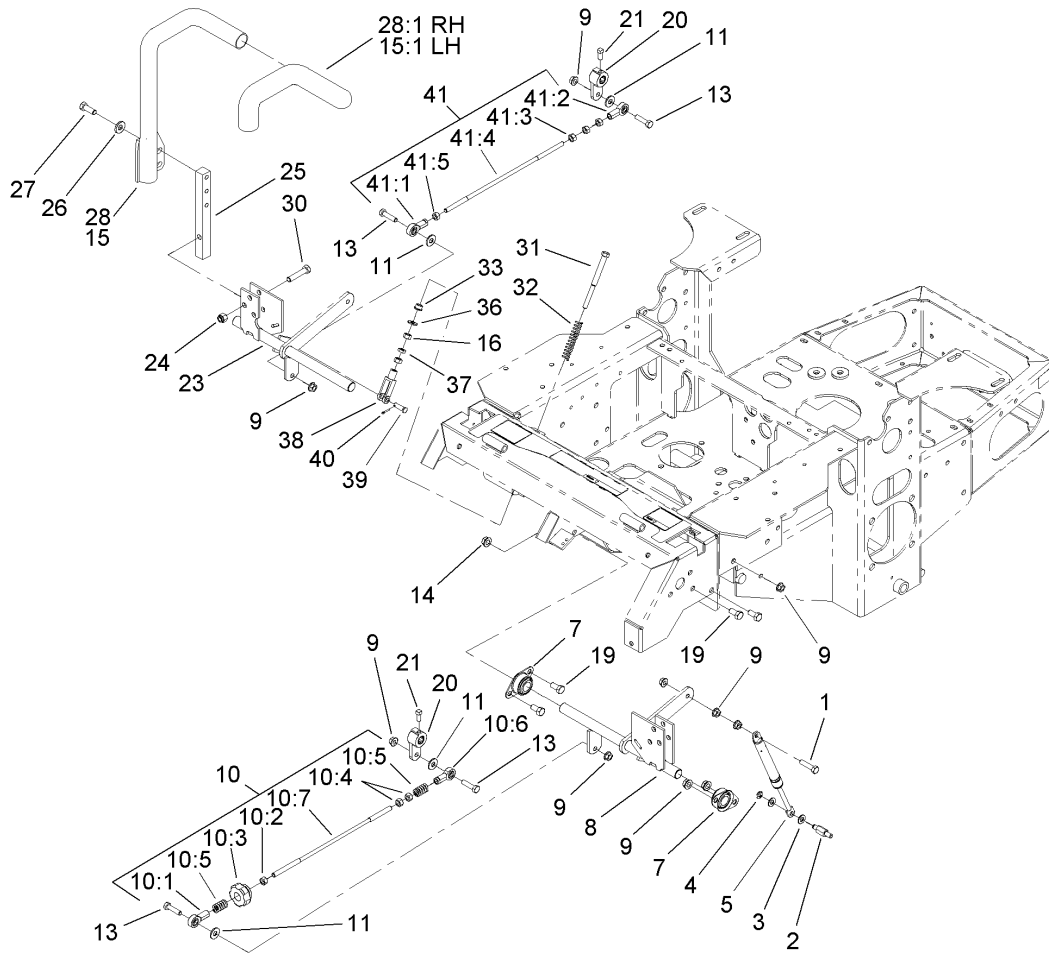
Ref	Part No.	Qty.	Description
22	1-633349	4	Spring-Tank, Fuel
23	3296-47	4	Nut-Lock, NI
24	1-513762	2	Clip-Loom
25	321-4	2	Screw-HH
26	32128-33	2	Nut-HF
27	1-513592	1	Knob-Ball
28	1-633696	1	Throttle Cable ASM
29	3296-2	2	Nut-Lock
30	106-9962	1	Control-Choke, Push / Pull
31	1-807513	2	Bolt-CARR



Parking Brake Assembly

Ref	Part No.	Qty.	Description
1	1-652073-03	1	Crank-Brake, Park
2	3272-10	2	Pin-Cotter
4	1-808285	2	Pin-Clevis
5	3219-3	4	Nut-Hex
7	1-653068	4	Spacer-Wheel
9	325-13	8	Screw-HH
10	103-0355	2	Band-Brake
11	103-0590	2	Hub And Wheel ASM
11:1	103-0589	1	Wheel Hub ASM
11:2	1-633926	4	Stud-Wheel
12	103-2399	2	Pin-Spring, Clevis
13	1-806800	2	Pin-Cotter
14	103-0374	2	Retainer-Band, Brake
15	103-0384	6	Spacer
16	322-9	6	Screw-HH
17	103-0352-03	2	Bracket-Brake
18	1-633144	2	Pin-Trunion
19	3256-4	4	Washer-Flat
20	1-633454	2	Spring-Brake
21	323-4	9	Screw-HH
22	1-653074-03	1	Handle-Brake, Park
23	1-633268	1	Grip-Lever, Brake
24	1-653069	4	Spacer-Wheel
25	3253-7	8	Washer-Lock

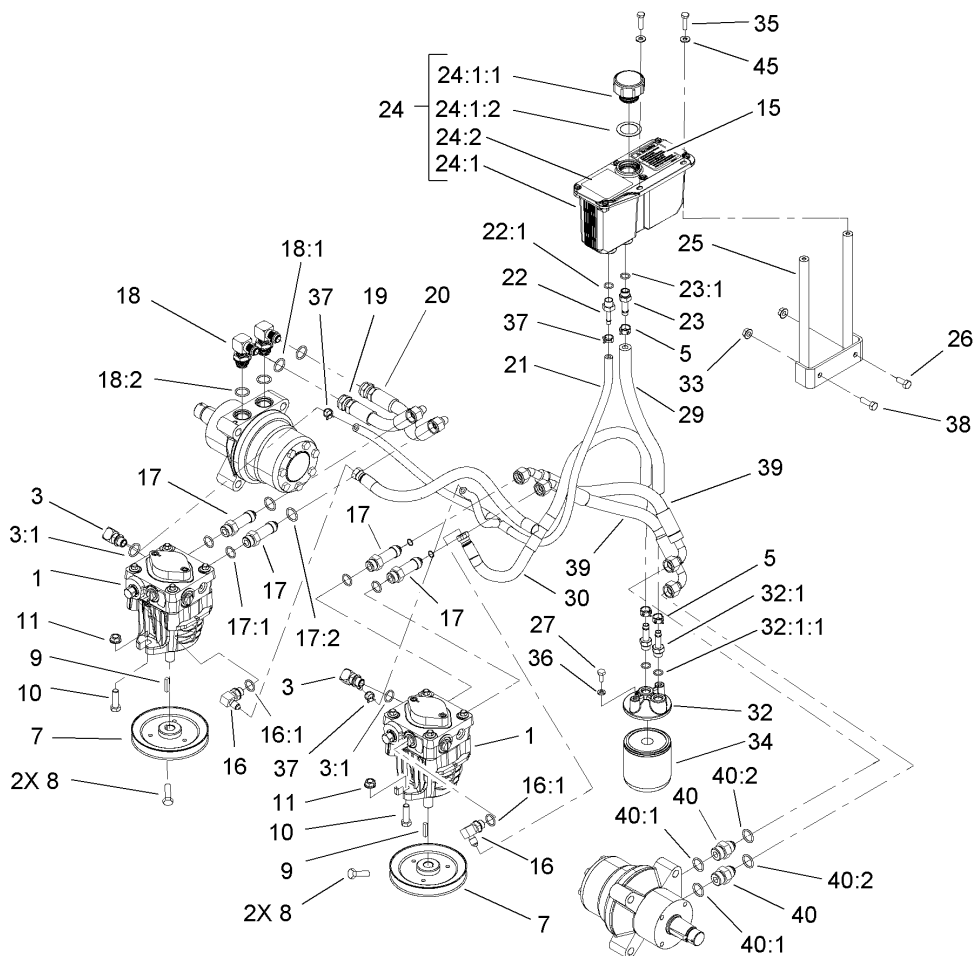
Ref	Part No.	Qty.	Description
26	103-0131	8	Nut-Square
27	1-633102	4	Bearing-Flange, Side
28	3290-357	8	Nut-HHF, Whiz
29	103-3116	1	Shaft-Brake, Parking
31	1481	2	Fitting-Grease
32	98-5975	1	Washer-Belleville
33	1-523157	2	Washer-Spacer
34	103-5333	2	Motor-Wheel
35	32151-48	1	E-Ring
36	3256-28	1	Washer-Flat
37	103-4328	1	Brake Rod ASM
37:1	1-633131	2	Yoke-Linkage, Brake
37:2	1-653061	1	Linkage-Handle, Brake
37:3	3219-3	2	Nut-Hex
38	103-4329	2	Brake Rod ASM
38:1	1-633131	1	Yoke-Linkage, Brake
38:2	103-0356	1	Rod-Brake
38:3	3219-3	1	Nut-Hex
39	1-653010	2	Wheel And Tire ASM
39:1	1-653160	1	Tire
39:2	1-653158	1	Wheel
39:3	232-27	1	Stem-Valve
40	242-50	8	Nut-Lug



Motion Control Assembly

Ref	Part No.	Qty.	Description
1	1-403180	2	Screw-HH
2	103-4101	2	Pin-Damper
3	3256-23	4	Washer-Flat
4	32120-35	2	E-Ring
5	103-4079	2	Damper-Control, Motion
7	1-633102	4	Bearing-Flange, Side
8	103-4774	1	Control-Motion, LH
9	32128-20	12	Nut-HF
10	103-4326	1	Tracking Rod ASM
10:1	1-543017	1	Balljoint-RH
10:2	3219-2	1	Nut-Hex
10:3	103-3060	1	Knob-Tracking
10:4	1-804524	2	Nut
10:5	1-323245	2	Spring-Compression
10:6	1-633152	1	Balljoint-Thread, LH
10:7	103-3066	1	Link-Rod, Tracking
11	3256-3	4	Washer-Flat
13	322-6	4	Screw-HH
14	3290-357	6	Nut-HHF, Whiz
15	108-7238	1	LH Lever ASM
15:1	106-9987	1	Grip-Control, Motion
16	3219-2	4	Nut-Hex
19	323-4	6	Screw-HH
20	103-3717	2	Arm-Control

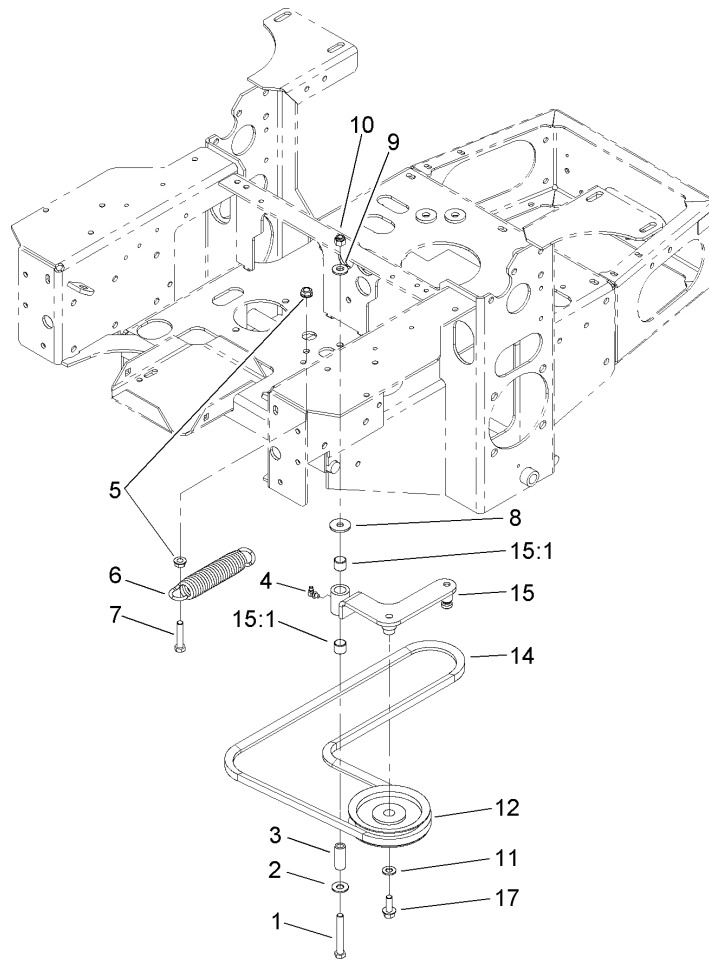
Ref	Part No.	Qty.	Description
21	1-803022	2	Screw-Set
23	103-4773	1	Control-Motion, RH
24	3296-39	6	Nut-Lock, NI
25	103-0407	2	Arm-Shaft, Control
26	98-5975	4	Washer-Belleville
27	323-6	4	Screw-HH
28	108-7237	1	RH Lever ASM
28:1	106-9987	1	Grip-Control, Motion
30	323-9	6	Screw-HH
31	1-603737	2	Bolt-Return, Neutral
32	1-603807	2	Spring-Return, Neutral
33	1-603735	2	Bushing-Flanged
36	3256-2	2	Washer-Flat
37	3220-2	2	Nut-Jam
38	1-303105	2	Yoke-Adjustable
39	1-808280	2	Pin-Clevis
40	3272-5	2	Pin-Cotter
41	103-4327	1	Tracking ASM
41:1	1-543017	1	Balljoint-RH
41:2	1-633152	1	Balljoint-Thread, LH
41:3	1-804524	1	Nut
41:4	103-3066	1	Link-Rod, Tracking
41:5	3219-2	3	Nut-Hex



Hydraulic System Assembly

Ref	Part No.	Qty.	Description
1	103-1942	2	Pump-HYD
3	103-1799	2	Elbow-90 DEG
3:1	237-42	1	O-Ring
5	103-1988	3	Clamp-Hose
7	1-653156	2	Pulley
8	1-803050	4	Screw-Set
9	1-807272	2	Key
10	323-7	4	Screw-HH
11	3290-357	4	Nut-HHF, Whiz
15	103-2644	1	Decal-Exhaust
16	103-1802	2	Fitting-HYD, 90 DEG
16:1	1-603921	1	O-Ring
17	103-1940	4	Adapter-HYD, Straight
17:1	237-79	1	O-Ring
17:2	1-603992	1	O-Ring
18	1-633605	2	Fitting-HYD, 90 DEG
18:1	1-603992	1	O-Ring
18:2	237-80	1	O-Ring
19	1-653186	1	Hose-Front
20	1-653187	1	Hose-Rear, RH
21	103-2357	1	HYD Hose ASM
22	103-1801	1	Adapter-Straight
22:1	237-42	1	O-Ring
23	103-1912	1	Adapter-Straight

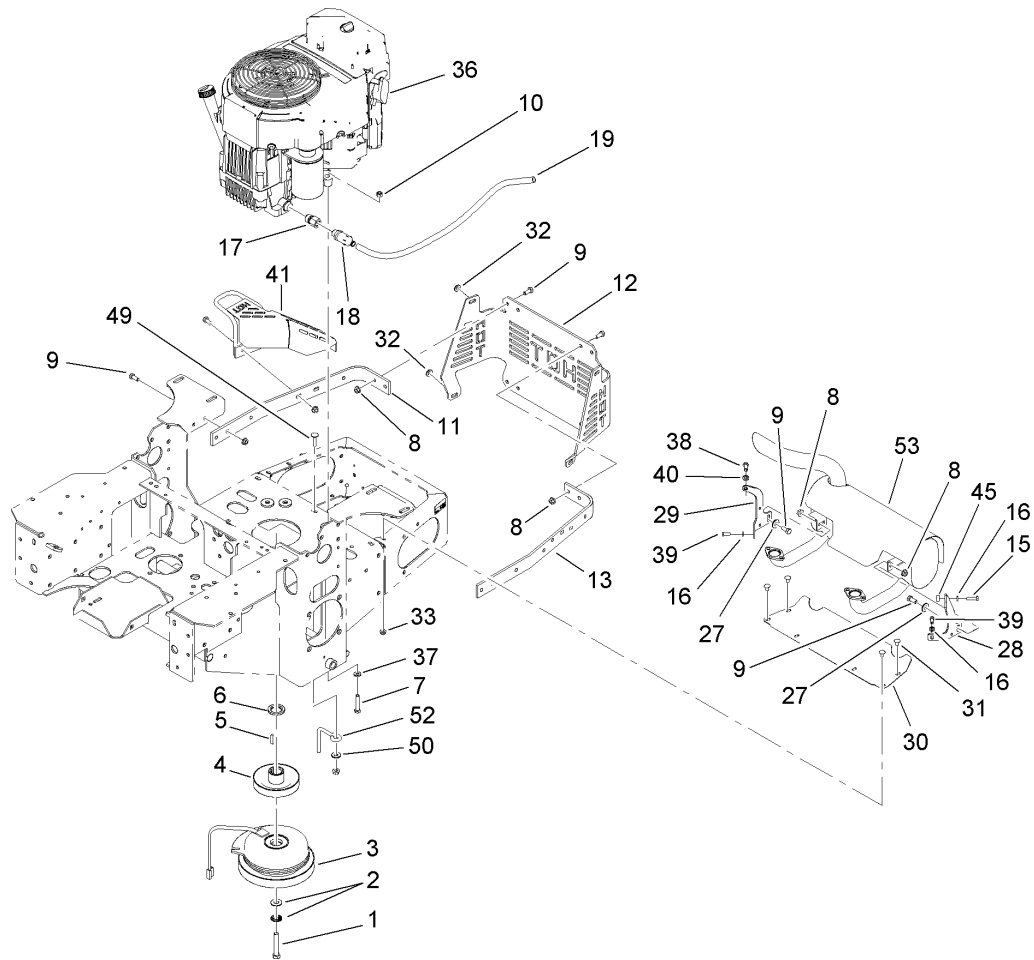
Ref	Part No.	Qty.	Description
23:1	237-42	1	O-Ring
24	103-1947	1	HYD Reservoir ASM
24:1		1	Reservoir-HYD
24:1:1	103-1948	1	Cap-Reservoir, HYD
24:1:2	103-1949	1	Gasket-Cap
24:2	1-523552	1	Decal-Tank, HYD
25	103-3071-03	1	Stand-Reservoir
26	322-3	1	Screw-HH
27	321-3	2	Screw-HH
29	103-3077	1	HYD Hose ASM
30	103-2930	1	HYD Hose ASM
32	103-2889	1	Filter Head ASM
32:1	103-1912	2	Adapter-Straight
32:1:1	237-42	1	O-Ring
33	32128-20	2	Nut-HF
34	1-633750	1	Filter-HYD
34	1-633752	1	Filter-HYD, Winter
35	321-6	2	Screw-HH
36	1-805004	2	Washer-Lock
37	103-1716	3	Clamp-Hose
38	322-5	1	Screw-HH
39	103-3809	2	Hose-LH
40	1-603991	2	Fitting-Straight
40:1	237-80	1	O-Ring



Pump Idler and Belt Assembly

Ref	Part No.	Qty.	Description
1	323-13	1	Screw-HH
2	3256-4	1	Washer-Flat
3	1-603044	1	Bushing
4	302-40	1	Fitting-Grease
5	3290-357	2	Nut-HHF, Whiz
6	103-4480	1	Spring-Extension
7	323-9	1	Screw-HH
8	63-8410	1	Washer
9	98-5975	1	Washer-Belleville
10	3296-39	1	Nut-Lock, NI
11	3256-24	1	Washer-Flat
12	1-603843	1	Pulley-Idler
14	107-3960	1	Belt
15	103-4482	1	Idler Arm ASM
15:1	103-4681	2	Sleeve-Bearing
17	3234-11	1	Screw-HHF

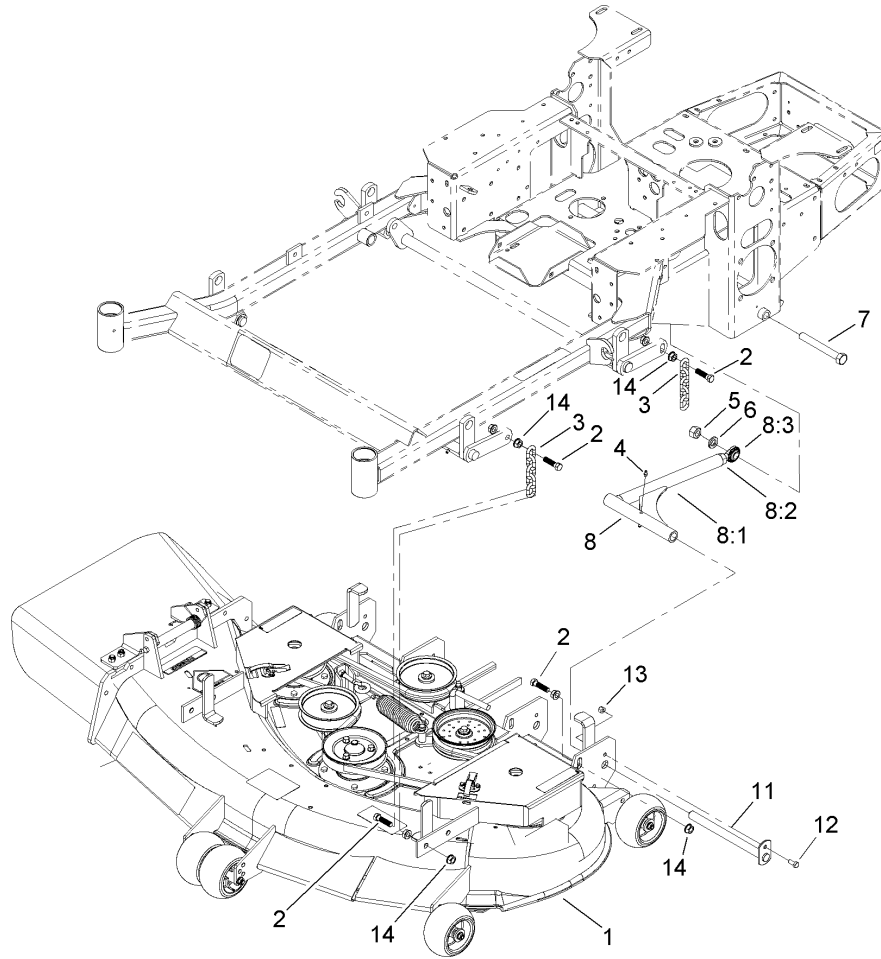
--	--	--	--



Engine, Clutch and Muffler Assembly

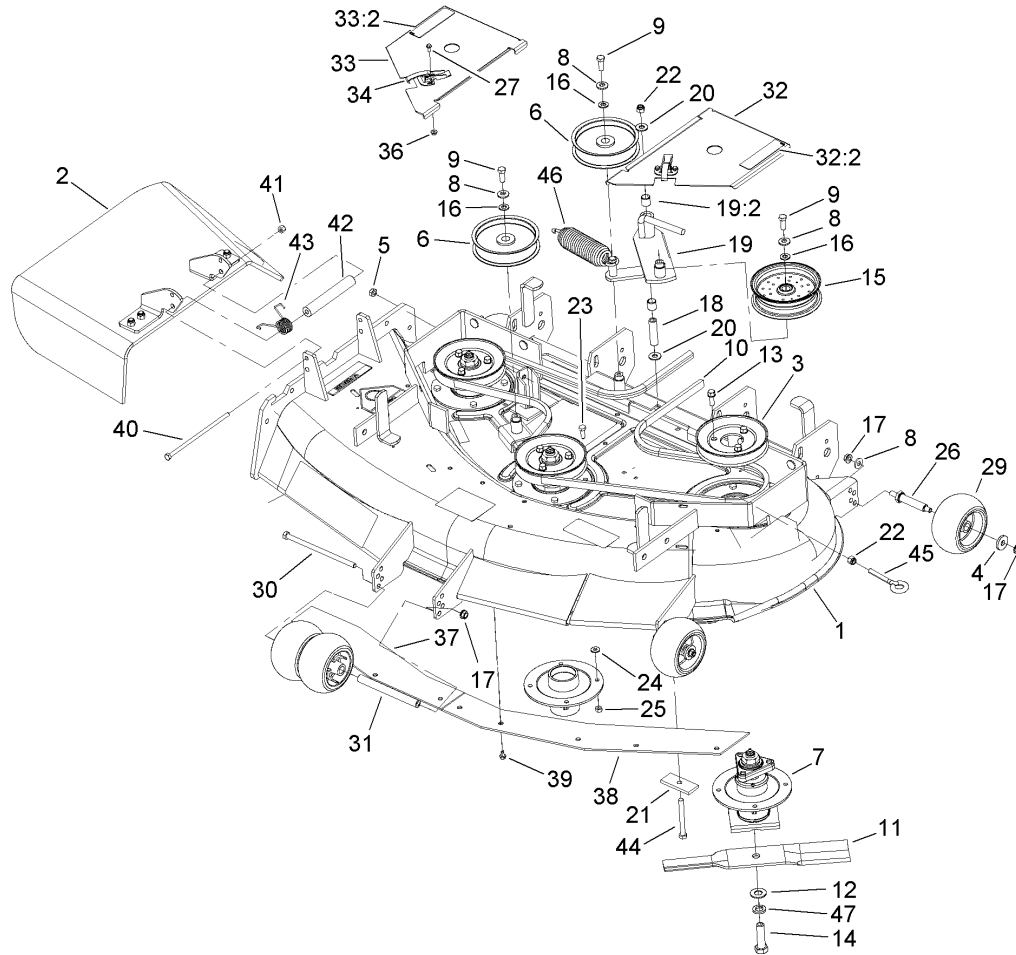
Ref	Part No.	Qty.	Description
1	3212-12	1	Screw-HH
2	1-603610	2	Washer-Spring
3	103-0690	1	Clutch
4	103-3913	1	Pulley
5	1-807259	1	Key
6	103-2308	1	Spacer-Crankshaft
7	322-9	4	Screw-HH
8	32128-20	33	Nut-HF
9	322-3	25	Screw-HH
10	3296-29	4	Nut-Lock, NI
11	103-3078-03	1	Strap-Guard, RH
12	103-3219-03	1	Guard-Rear
13	103-3164-03	1	Strap-Guard, LH
15	33113-025	1	Screw-HH
16	1-805004	3	Washer-Lock
17	103-1966	1	Adapter
18	92-6877	1	Valve-Drain, Oil
19	106-7022	1	Tube-Drain, Oil
27	3256-3	3	Washer-Flat
28	103-4477-03	1	Bracket-Muffler, LH
29	103-4478-03	1	Bracket-Muffler, RH
30	103-2740-03	1	Deflector-Short
31	3229-10	4	Screw-CARR
32	3256-23	4	Washer-Flat

Ref	Part No.	Qty.	Description
33	32128-33	4	Nut-HF
① 36		1	Engine-Kawasaki, FH580V-As29
37	1-303334	4	Washer-Spring
38	33114-020	1	Screw-HH
39	33113-016	2	Screw-HH
40	1-805005	1	Washer-Lock
41	103-3218-03	1	Guard-Tailpipe
45	103-3096	1	Spacer
49	3230-3	1	Screw-CARR
50	3256-3	1	Washer-Flat
52	108-1058	1	Rod-Belt
53	103-4483	1	Muffler Kit



Deck Connection Assembly

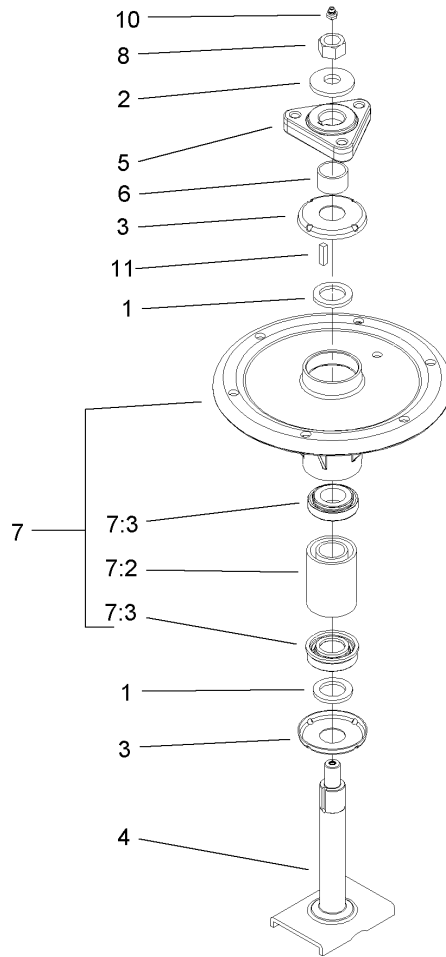
Ref	Part No.	Qty.	Description	
1	107-8562	1	Deck ASM	
2	103-1898	8	Screw-HH	
3	1-633447	4	Chain-Lift, Deck	
4	302-19	2	Fitting-Grease	
5	3217-11	2	Nut-Hex	
6	3253-8	2	Washer-Lock	
7	327-11	2	Screw-HH	
8	103-1081	2	Strut ASM	
8:1	103-1072-01	1	Strut	
8:2	3219-6	1	Nut-Hex	
8:3	1-633029	1	Balljoint-Spherical	
11	1-632199-01	2	Pin-Strut	
12	322-3	2	Screw-HH	
13	3296-29	2	Nut-Lock, NI	
14	32128-37	16	Nut-HF	



Deck Assembly No. 107-8562

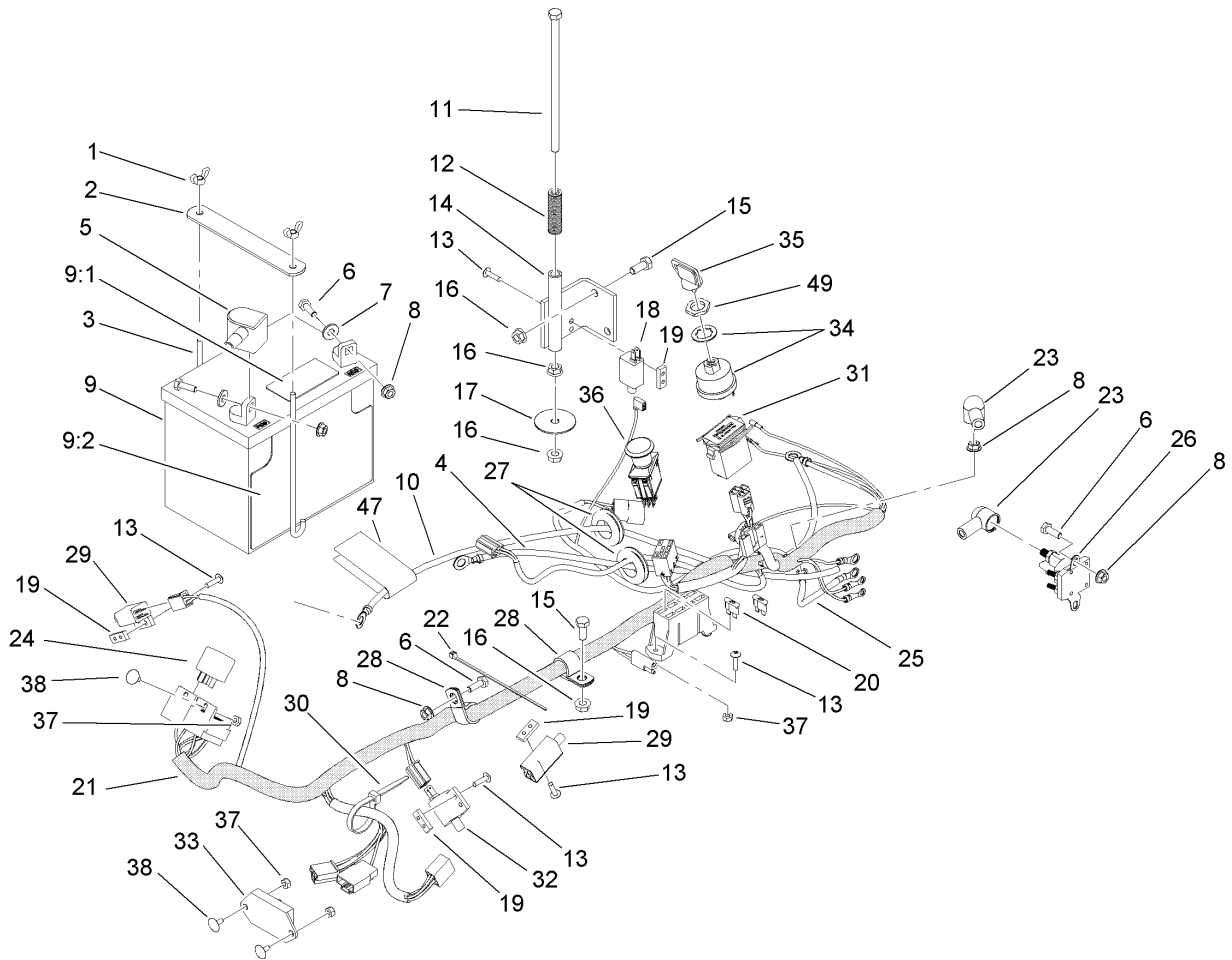
Ref	Part No.	Qty.	Description
1	107-8580	1	Deck Decal ASM
2	108-2792	1	Rubber Deflector ASM
3	107-8586	3	Pulley
4	1-373034	3	Washer
5	3217-7	1	Nut-Hex
6	1-613098	2	Pulley-Idler
7	107-8570	3	Spindle Housing ASM
8	98-5975	3	Washer-Belleville
9	323-6	3	Screw-HH
10	98-3780	1	V-Belt-Drive
11	54-0010-03	3	Blade
12	3256-27	3	Washer-Flat
13	92-1624	9	Screw
14	51-4060	3	Screw-Blade
15	99-8912	1	Pulley-Idler, Flat
16	3256-24	3	Washer-Flat
17	3290-357	5	Nut-HHF, Whiz
18	1-603384	1	Bushing-Pivot, Idler
19	99-8914	1	Idler Arm ASM
19:2	1-513034	2	Sleeve-Bearing
20	1-809107	2	Washer-Hardened
21	99-3946-01	1	Plate-Retainer, Bolt
22	3296-39	2	Nut-Lock, NI
23	322-4	12	Screw-HH

Ref	Part No.	Qty.	Description
24	3256-2	4	Washer-Flat
25	32152-1	12	Nut-Lock, Cone
26	99-2842	3	Spacer
27	3290-321	4	Screw-HWH
29	1-603299	5	Roller-Scalp, Anti
30	323-28	1	Screw-HH
31	98-5967	1	Spacer-Wheel
32	99-3928	1	LH Cover ASM
32:2	67-5360	1	Decal-Danger
33	99-3929	1	RH Cover ASM
33:2	67-5360	1	Decal-Danger
34	249-21	2	Clamp-Slotted
36	32128-17	4	Nut-Lock, Flange
37	100-3257-03	1	Plate-Blowout, RH
38	100-3258-03	1	Plate-Blowout, LH
39	12-3270	9	Screw
40	322-50	1	Screw-HH
41	3296-29	1	Nut-Lock, NI
42	105-4622	1	Spacer
43	108-4052	1	Spring-Torsion
44	1-800805	1	Screw-HH
45	94-2547	1	Bolt-Eye
46	103-3330	1	Spring-Extension
47	3253-8	3	Washer-Lock



Spindle Assembly No. 107-8570

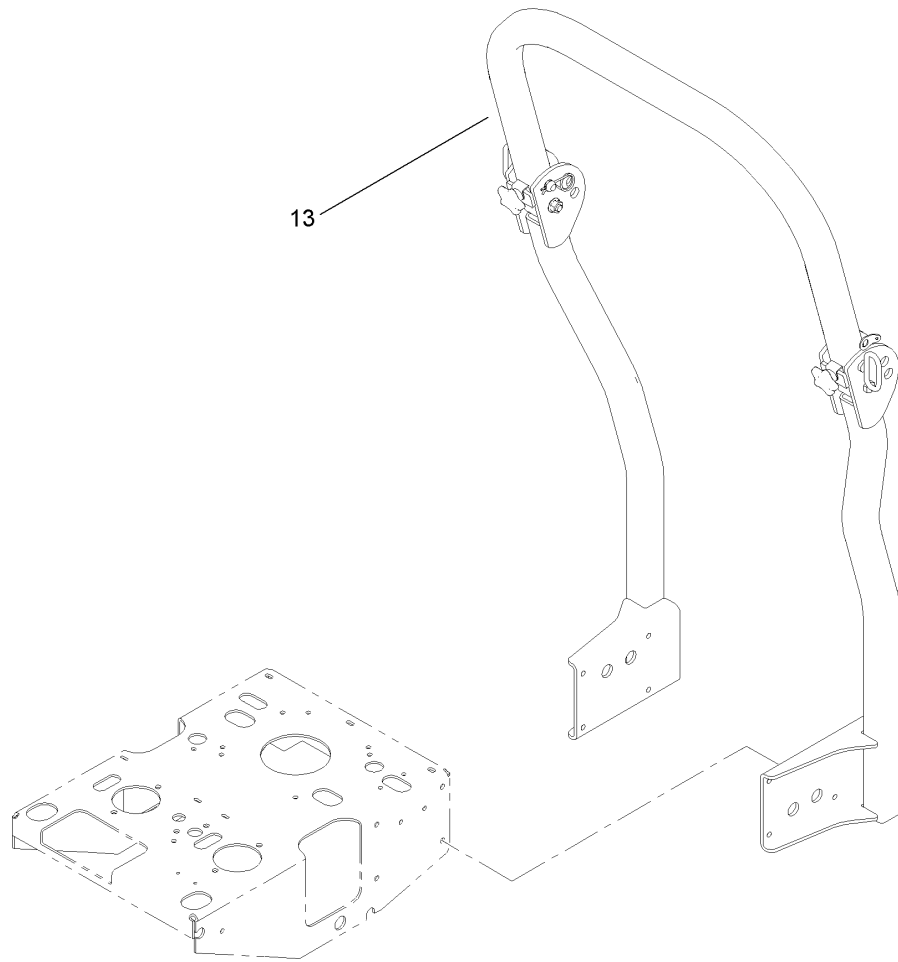
Ref	Part No.	Qty.	Description
1	3-8514	2	Washer-Thrust
2	7-4150	1	Washer
3	106-3204	2	Shield-Bearing
4	107-8569	1	Spindle ASM
5	106-3277	1	Hub-Pulley
6	107-8576	1	Spacer-Bearing
7	107-8574	1	Spindle Bearing ASM
7:2	107-8575	1	Spacer-Bearing
7:3	113514	2	Bearing-Ball
8	32146-20	1	Nut-Jam
10	302-2	1	Fitting-Grease
11	10-8040	1	Key-Square



Electrical System Assembly

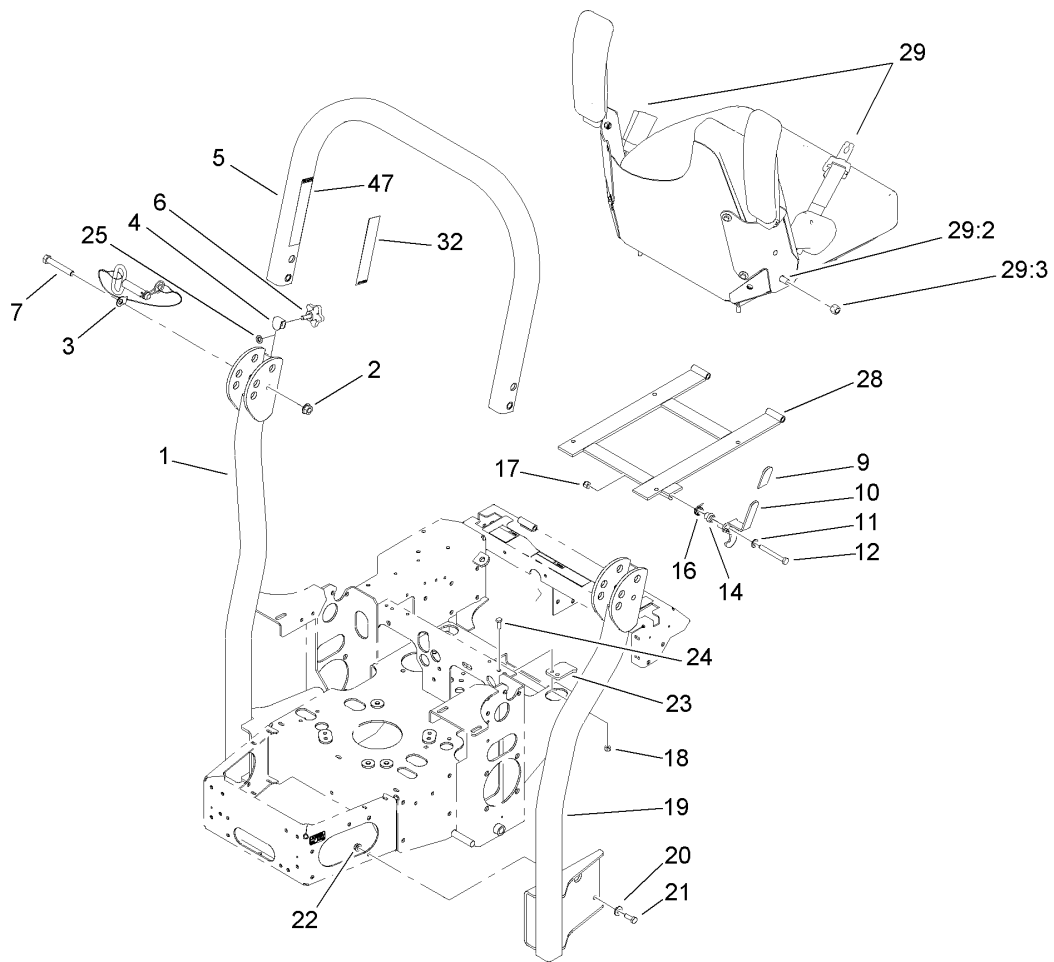
Ref	Part No.	Qty.	Description
1	1-543792	2	Wingnut
2	107-9277-03	1	Strap-Holddown, Battery
3	1-633651	2	Bolt-Holddown
4	103-0705	1	Cable-Ground, Negative
5	1-543391	1	Insulator-Battery
6	321-4	5	Screw-HH
7	3256-2	2	Washer-Flat
8	32128-33	6	Nut-HF
9	105-1692	1	Battery
9:1	104-4163	1	Decal-Battery
9:2	104-4164	1	Decal-Battery
10	103-0707	1	Cable-Battery, Positive
11	1-800282	1	Screw-HH
12	1-523415	1	Spring-Switch, Seat
13	1-803075	10	Screw-Head, Truss
14	1-652072-03	1	Bracket-Switch, Seat
15	322-3	3	Screw-HH
16	32128-20	5	Nut-HF
17	1-653036	1	Washer
18	1-513152	1	Switch-Closed, Normally
19	1-633181	4	Plate-Tapped
20	1-816001	2	Fuse-Blade Type, 20 Amp
21	110-0318	1	Harness-Electrical
22	1-303287	3	Tie-Plastic

Ref	Part No.	Qty.	Description
23	1-543393	3	Insulator-Solenoid
24	1-643275	2	Relay
25	1-633306	1	Wire-Starter
26	1-513075	1	Switch-Solenoid
27	1-543286	2	Grommet
28	1-633396	2	Clip-Loom
29	1-513051	2	Switch-Open, Normally
30	1-303335	4	Tie-Plastic
31	1-513374	1	Meter-Hour
32	1-633111	1	Switch
33	100-6186	1	Module-Delay, Seat
34	103-0206	1	Switch-Starting, Key
35	63-8360	2	Key-Ignition
36	103-5221	1	Switch-PTO
37	3296-2	6	Nut-Lock
38	1-807513	4	Bolt-CARR
47	107-9309	1	Decal-Instructions, Charging
49	103-0498	1	Nut-Switch, Ignition



Roll-Over-Protection-System Assembly

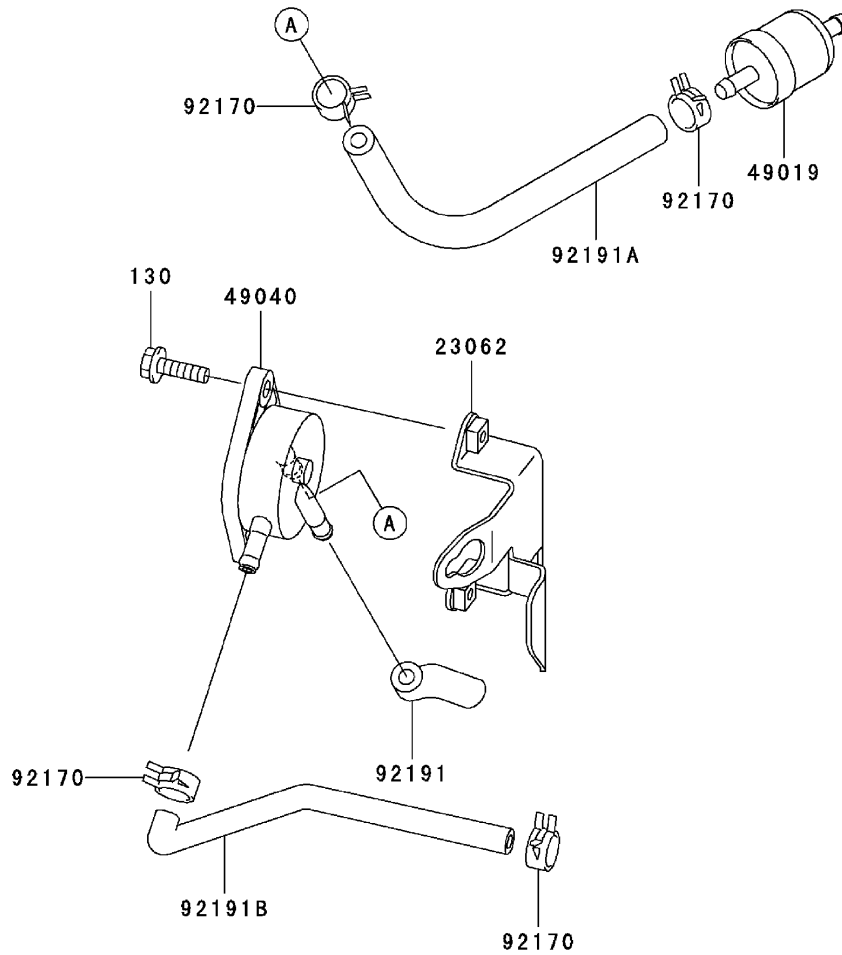
Ref	Part No.	Qty.	Description				
13	107-8093	1	ROPS ASM				



Roll-Over-Protection-System Assembly No. 107-8093

Ref	Part No.	Qty.	Description
❶ 1		1	LH Tube Support ASM
2	32128-23	2	Nut-HF
3	103-4553	2	ROPS Fold Pin ASM
4	107-3124	2	Clip
❶ 5		1	Upper Tube ASM
6	106-0887	2	Knob
7	325-13	2	Screw-HH
9	103-4434	1	Grip-Lever
10	107-3083	1	Latch ASM
11	3256-24	1	Washer-Flat
12	323-20	1	Screw-HH
14	107-0075	1	Bushing-Latch, Seat
16	107-0076	1	Spring-Torsion
17	3296-39	1	Nut-Lock, NI
18	3296-29	2	Nut-Lock, NI
❶ 19		1	RH Tube Support ASM
20	98-5975	8	Washer-Belleville
21	323-6	8	Screw-HH
22	3290-357	8	Nut-HHF, Whiz
23	107-3059	1	Catch-Latch, Seat
24	322-4	2	Screw-HH
25	107-3154	2	Nut-Push
28	107-3052-03	1	Seat Support Frame ASM
29	110-0883	1	Retractable Seatbelt Kit

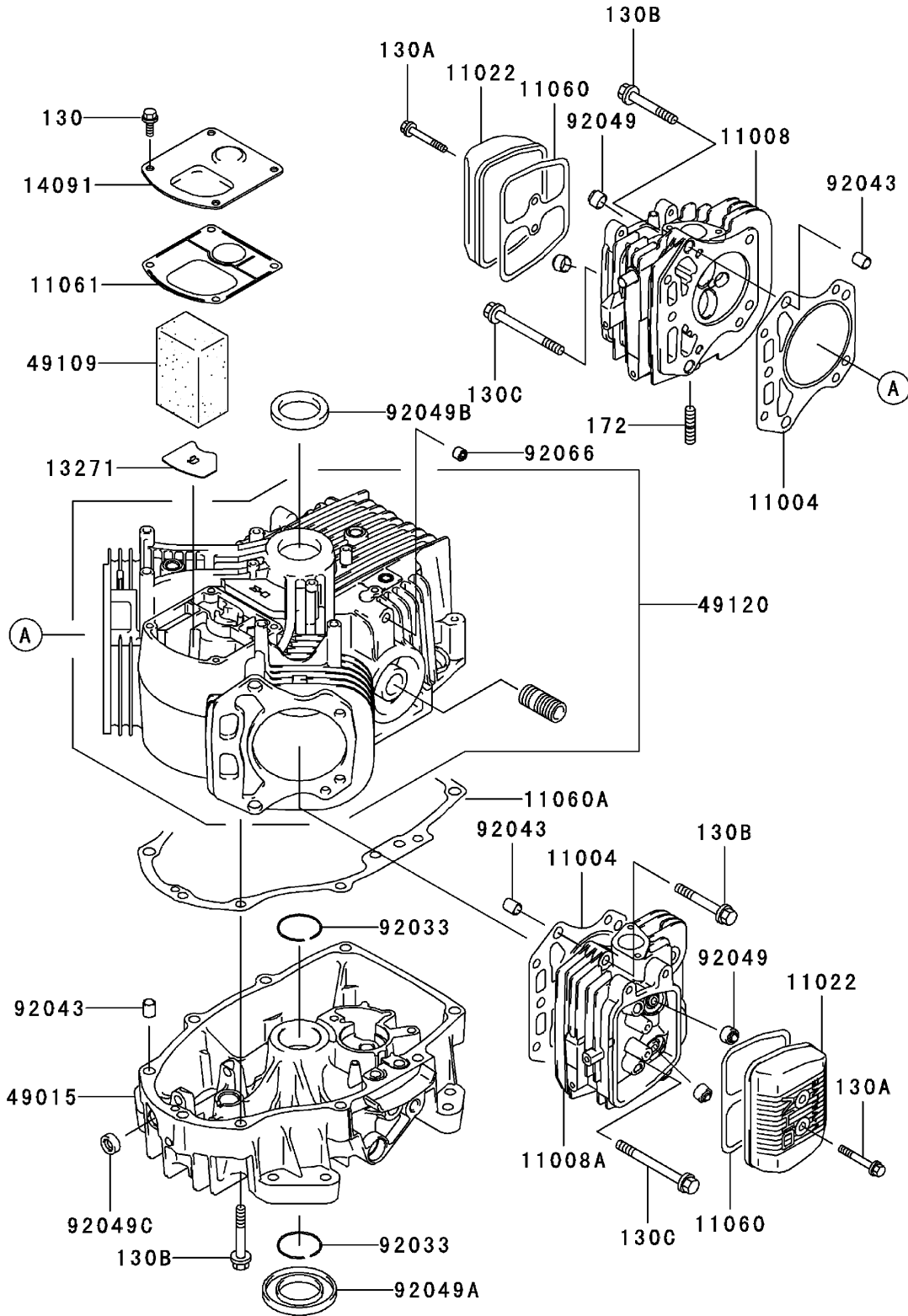
Ref	Part No.	Qty.	Description
29:2	3212-4	2	Screw-HH
29:3	3296-7	2	Nut-Lock
32	107-3069	1	Decal-Warning, Folding ROPS (Ce)
47	107-2102	1	Decal-Warning, Folding ROPS



Fuel Tank/Fuel Valve Assembly Kawasaki FH580V AS29

Ref	Part No.	Qty.	Description
②23062	23062-7004-9H	1	Bracket
②49019	49019-7001	1	Filter-Fuel
②49040	49040-7001	1	Pump-Fuel
②92170	92170-2088	4	Clamp
②92191	92191-7002	1	Tube
②92191A	92191-7003	1	Tube (6.35X12.7X160)
②92191B	92191-7004	1	Tube
②130	130B0620	2	Bolt-Flanged

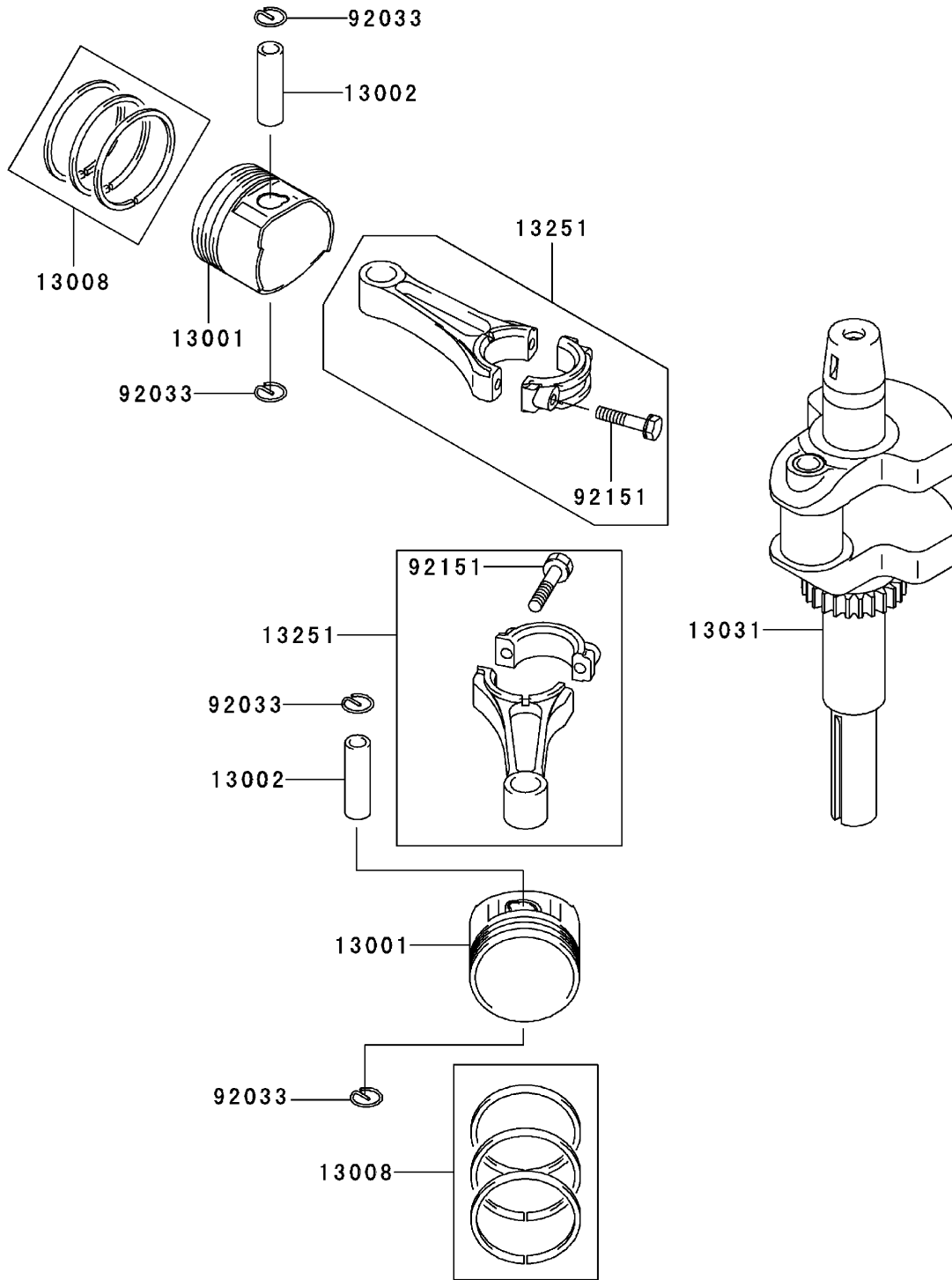
Cylinder/Crankcase Assembly Kawasaki FH580V AS29



Cylinder/Crankcase Assembly Kawasaki FH580V AS29

Ref	Part No.	Qty.	Description				
②11004	11004-7016	2	Gasket-Head				
②11008	11008-6043	1	Head-Cylinder, No. 1				
②11008A	11008-7020	1	Head-Cylinder, No. 2				
②11022	11022-7003	2	Case-Rocker				
②11060	11060-7001	2	Gasket-Case, Rocker				
②11060A	11060-7008	1	Gasket-Cover, Crankcase				
②11061	11061-7001	1	Gasket-Breather				
②13271	13271-7016	1	Plate				
②14091	14091-7006	1	Cover				
②49015	49015-6253	1	Cover-Crankcase				
②49109	49109-7002	1	Element-Breather				
②49120	49120-7023	1	Crankcase				
②92033	92033-7003	2	Ring-Snap				
②92043	92043-7001	6	Pin				
②92049	92049-7001	4	Seal-Oil, Rvc2 (6X11X10.2)				
②92049A	92049-7015	1	Seal-Oil, Sd (35X62X8 L Hs)				
②92049B	92049-7016	1	Seal-Oil, Sd (35X48X8 R Hs)				
②92049C	92049-7019	1	Seal-Oil, So (8X14X5 Hs)				
②92066	92066-7002	1	Plug				
②130	130B0612	4	Bolt-Flanged				
②130A	130B0640	4	Bolt-Flanged				
②130B	130T0850	17	Bolt-Flanged				
②130C	130T0875	2	Bolt-Flanged				
②172	172G0818	4	Bolt-Stud				

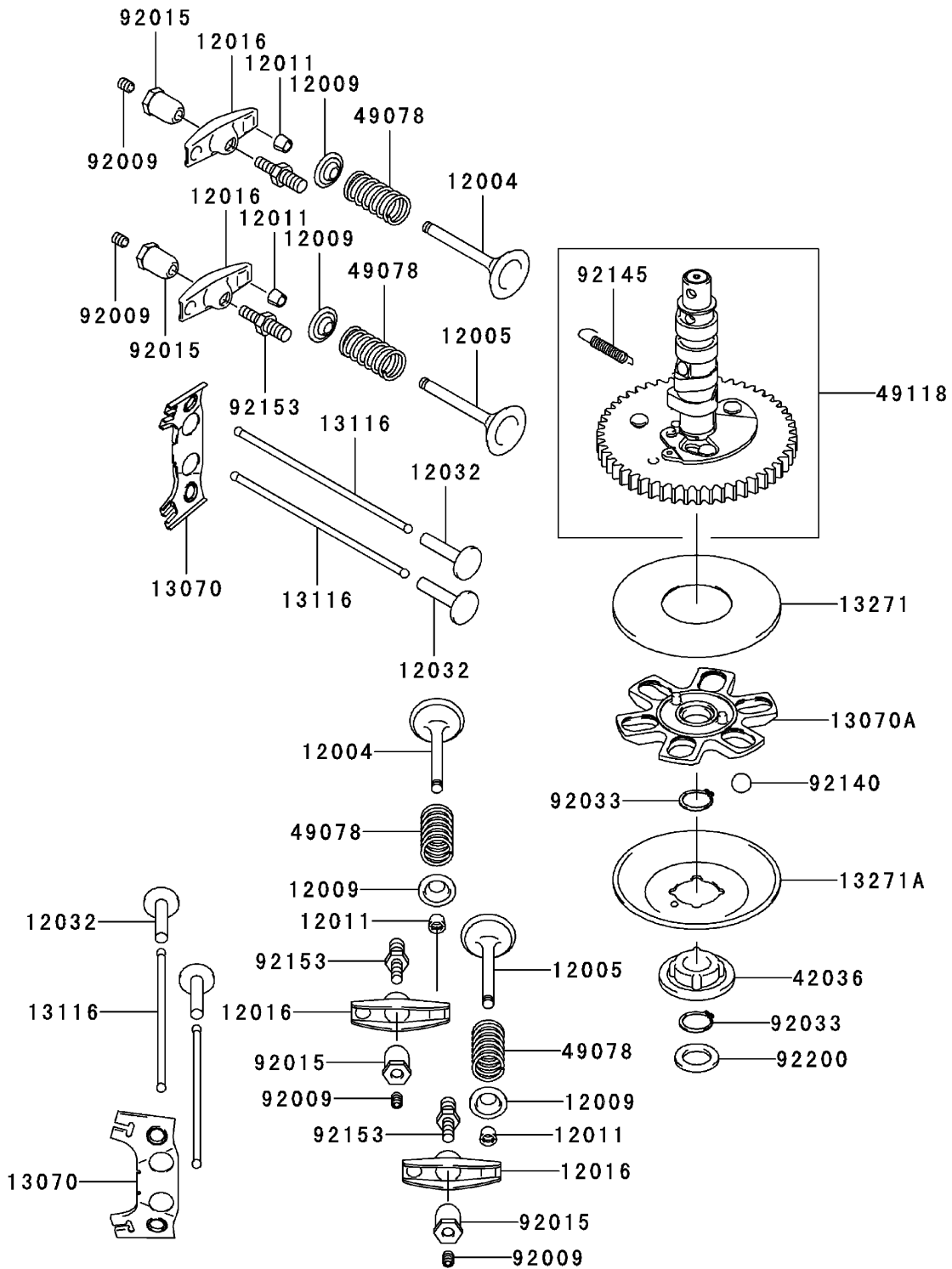
Piston/Crankshaft Assembly Kawasaki FH580V AS29



Piston/Crankshaft Assembly Kawasaki FH580V AS29

Ref	Part No.	Qty.	Description				
② 13001	13001-7010	2	Piston-Engine				
② 13002	13002-7001	2	Pin-Piston				
② 13008	13008-6060	2	Ring Set-Piston				
② 13031	13031-7036	1	Crankshaft				
② 13251	13251-7010	2	Connecting Rod ASM				
② 92033	92033-7005	4	Ring-Snap				
② 92151	92151-7017	4	Bolt (6X35)				

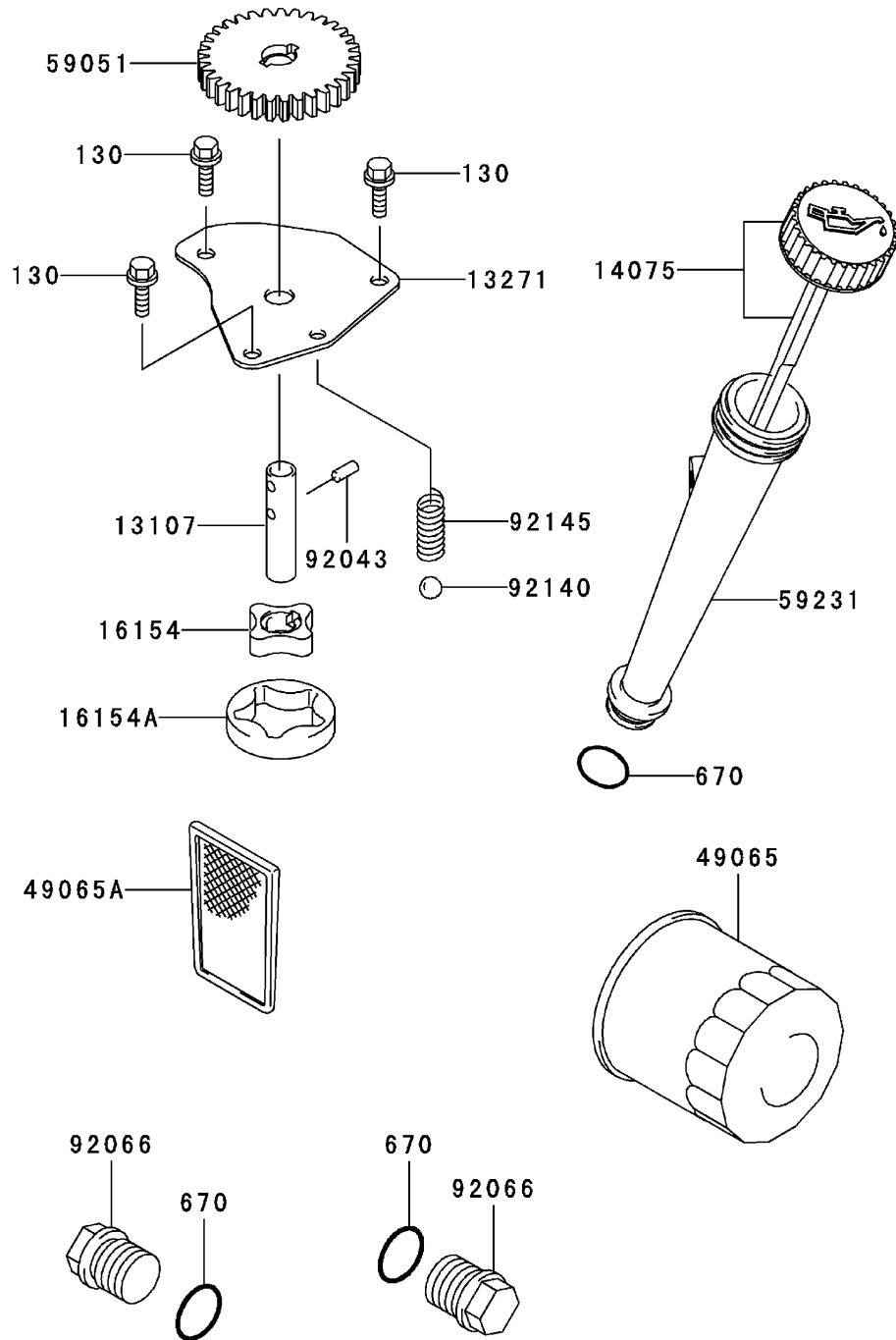
Valve/Camshaft Assembly Kawasaki FH580V AS29



Valve/Camshaft Assembly Kawasaki FH580V AS29

Ref	Part No.	Qty.	Description				
②12004	12004-7003	2	Valve-Intake				
②12005	12005-7003	2	Valve-Exhaust				
②12009	12009-7001	4	Retainer-Spring, Valve				
②12011	12011-2056	8	Collet				
②12016	12016-7001	4	Arm-Rocker				
②12032	12032-7001	4	Tappet				
②13070	13070-7001	2	Guide				
②13070A	13070-7004	1	Guide				
②13116	13116-2057	4	Rod-Push				
②13271	13271-7007	1	Plate				
②13271A	13271-7021	1	Plate-Governor				
②42036	42036-7009	1	Sleeve				
②49078	49078-7001	4	Spring-Valve, Engine				
②49118	49118-7004	1	Camshaft				
②92009	92009-2341	4	Screw				
②92015	92015-2253	4	Nut				
②92033	92033-7001	2	Ring-Snap				
②92140	92140-7002	6	Ball				
②92145	92145-7001	1	Spring				
②92153	92153-7019	4	Bolt				
②92200	92200-7001	1	Washer				

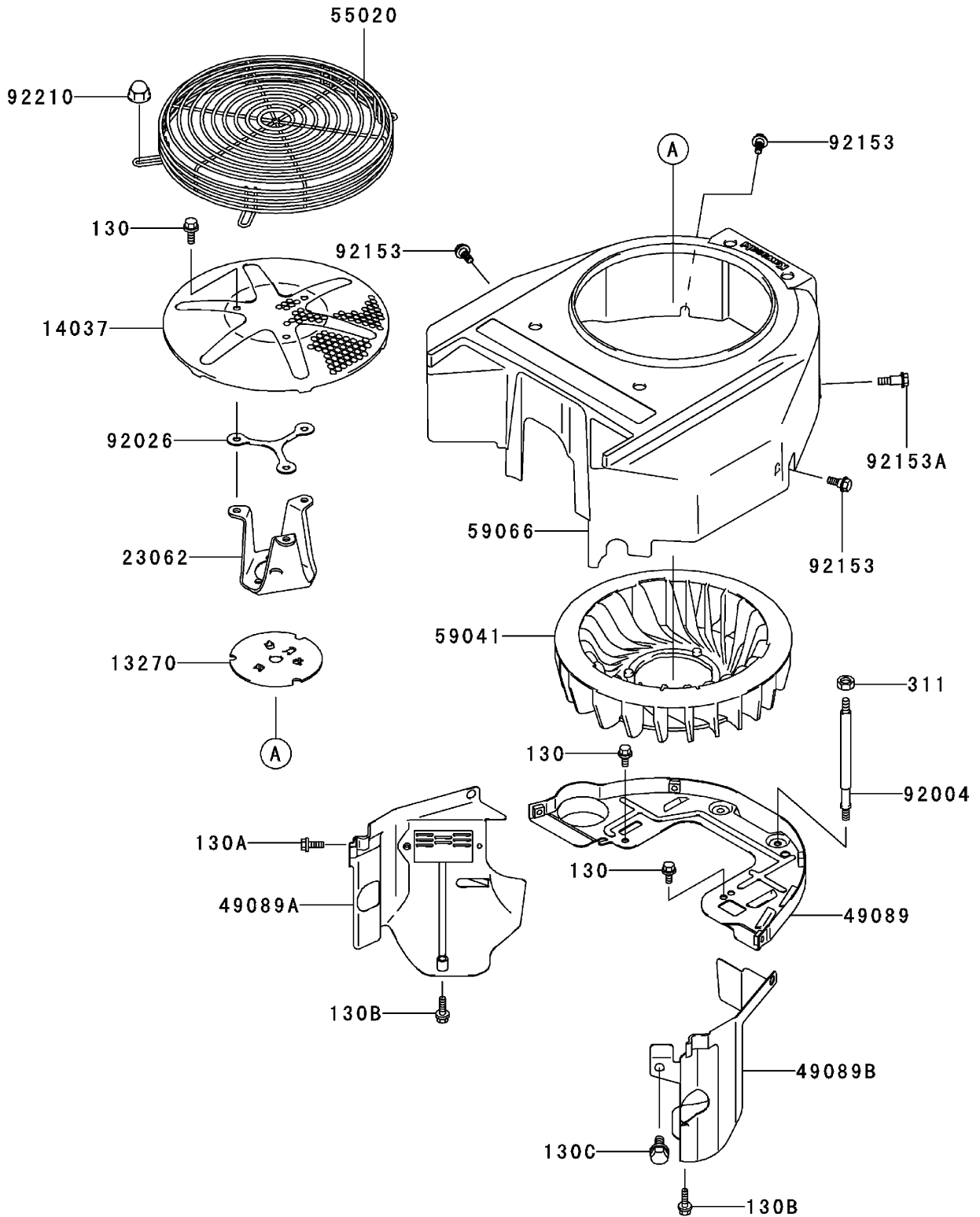
Lubrication Equipment Assembly Kawasaki FH580V AS29



Lubrication Equipment Assembly Kawasaki FH580V AS29

Ref	Part No.	Qty.	Description				
②13107	13107-7009	1	Shaft				
②13271	13271-7017	1	Plate				
②14075	14075-7009	1	Cap ASM				
②16154	16154-2053	1	Rotor-Pump (In)				
②16154A	16154-2054	1	Rotor-Pump (Out)				
②49065	49065-2078	1	Filter-Oil				
②49065A	49065-7004	1	Filter-Oil				
②59051	59051-7011	1	Gear-Spur				
②59231	59231-7005	1	Filler				
②92043	92043-7003	2	Pin				
②92066	92066-7003	2	Plug				
②92140	92140-7003	1	Ball				
②92145	92145-7002	1	Spring				
②130	130B0612	3	Bolt-Flanged				
②670	670D2016	3	O-Ring (16Mm)				

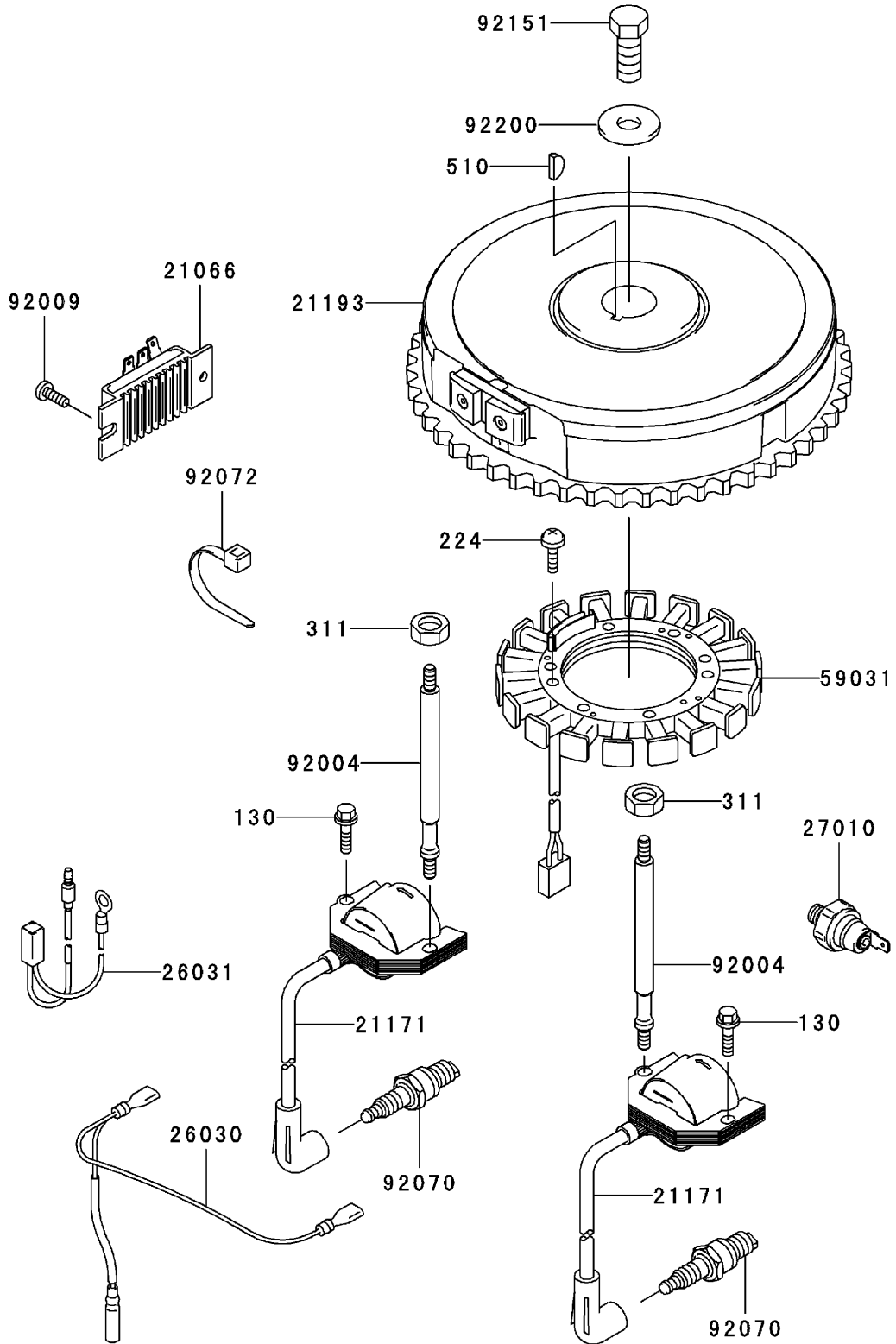
Cooling Equipment Assembly Kawasaki FH580V AS29



Cooling Equipment Assembly Kawasaki FH580V AS29

Ref	Part No.	Qty.	Description				
②13270	13270-7007	1	Plate				
②14037	14037-7020-9H	1	Screen				
②23062	23062-7010	1	Bracket				
②49089	49089-7032	1	Shroud-Engine				
②49089A	49089-7042	1	Shroud-Engine				
②49089B	49089-7043	1	Shroud-Engine				
②55020	55020-7004	1	Guard				
②59041	59041-7010	1	Fan				
②59066	59066-7025	1	Housing-Fan				
②92004	92004-7006	2	Stud				
②92026	92026-7007	1	Spacer				
②92153	92153-7007	3	Bolt				
②92153A	92153-7008	1	Bolt				
②92210	92210-0003	4	Nut				
②130	130B0612	5	Bolt-Flanged				
②130A	130B0616	2	Bolt-Flanged				
②130B	130B0625	2	Bolt-Flanged				
②130C	130B0816	1	Bolt-Flanged				
②311	311B0600	2	Nut-Hex				

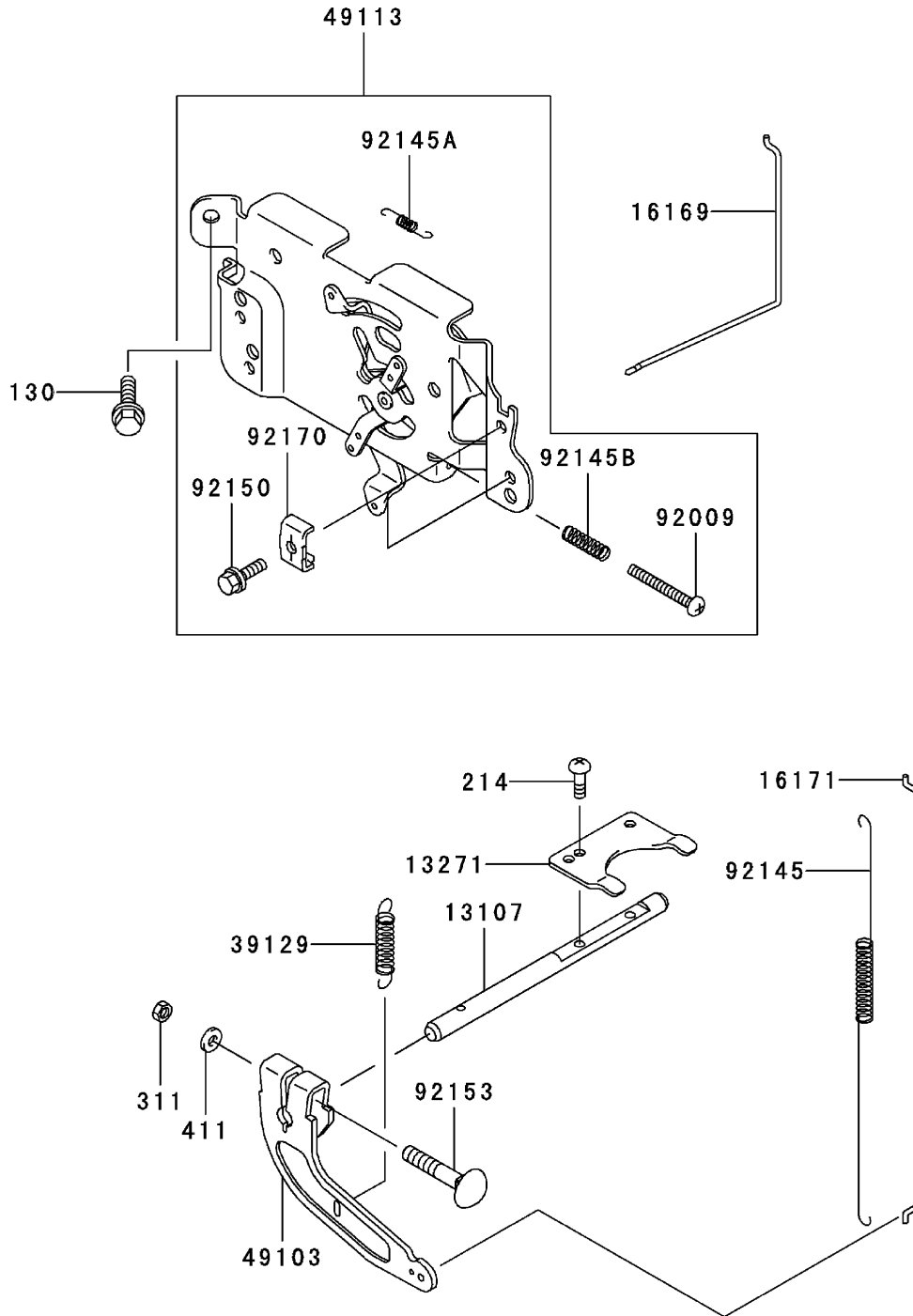
Electric Equipment Assembly Kawasaki FH580V AS29



Electric Equipment Assembly Kawasaki FH580V AS29

Ref	Part No.	Qty.	Description				
②21066	21066-7011	1	Regulator-Voltage				
②21171	21171-7013	2	Ignition Coil ASM				
②21193	21193-7007	1	Flywheel ASM				
②26030	26030-7001	1	Harness				
②26031	26031-7002	1	Harness				
②27010	27010-7001	1	Switch				
②59031	59031-7001	1	Coil-Charging				
②92004	92004-7009	2	Stud				
②92009	92009-2308	1	Screw				
②92070	92070-7003	2	Plug-Spark (Rcj8Y, Solid)				
②92072	92072-7003	2	Band				
②92151	92151-2097	1	Bolt (12X30)				
②92200	92200-7002	1	Washer				
②130	130B0620	2	Bolt-Flanged				
②224	224B0520	4	Screw-Pan				
②311	311B0600	2	Nut-Hex				
②510	510A5100	1	Key-Woodruff				

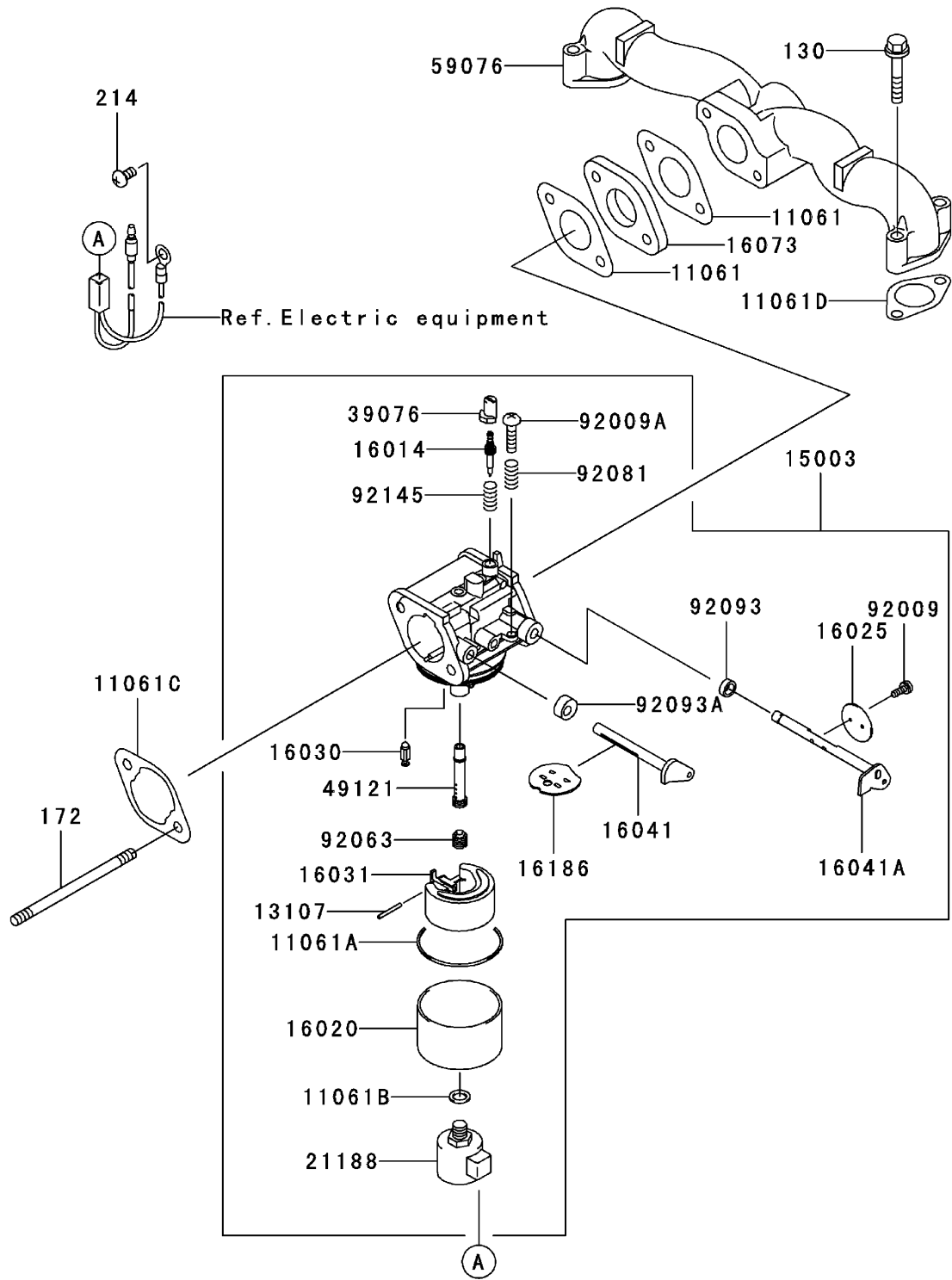
Control Equipment Assembly Kawasaki FH580V AS29



Control Equipment Assembly Kawasaki FH580V AS29

Ref	Part No.	Qty.	Description				
②13107	13107-7010	1	Shaft				
②13271	13271-7018	1	Plate				
②16169	16169-7010	1	Link-Choke				
②16171	16171-7001	1	Link				
②39129	39129-7003	1	Spring-Governor				
②49103	49103-7004	1	Arm-Governor				
②49113	49113-7011	1	Panel-Control				
②92009	92009-7007	1	Screw (4X35)				
②92145	92145-7003	1	Spring				
②92145A	92145-7004	1	Spring				
②92145B	92145-7005	1	Spring				
②92150	92150-2182	2	Bolt (5X18)				
②92153	92153-7033	1	Bolt (6X35)				
②92170	92170-7001	2	Clamp				
②130	130B0612	2	Bolt-Flanged				
②214	214B0408	2	Screw-Pan				
②311	311B0600	1	Nut-Hex				
②411	411b0600	1	Washer-Plain				

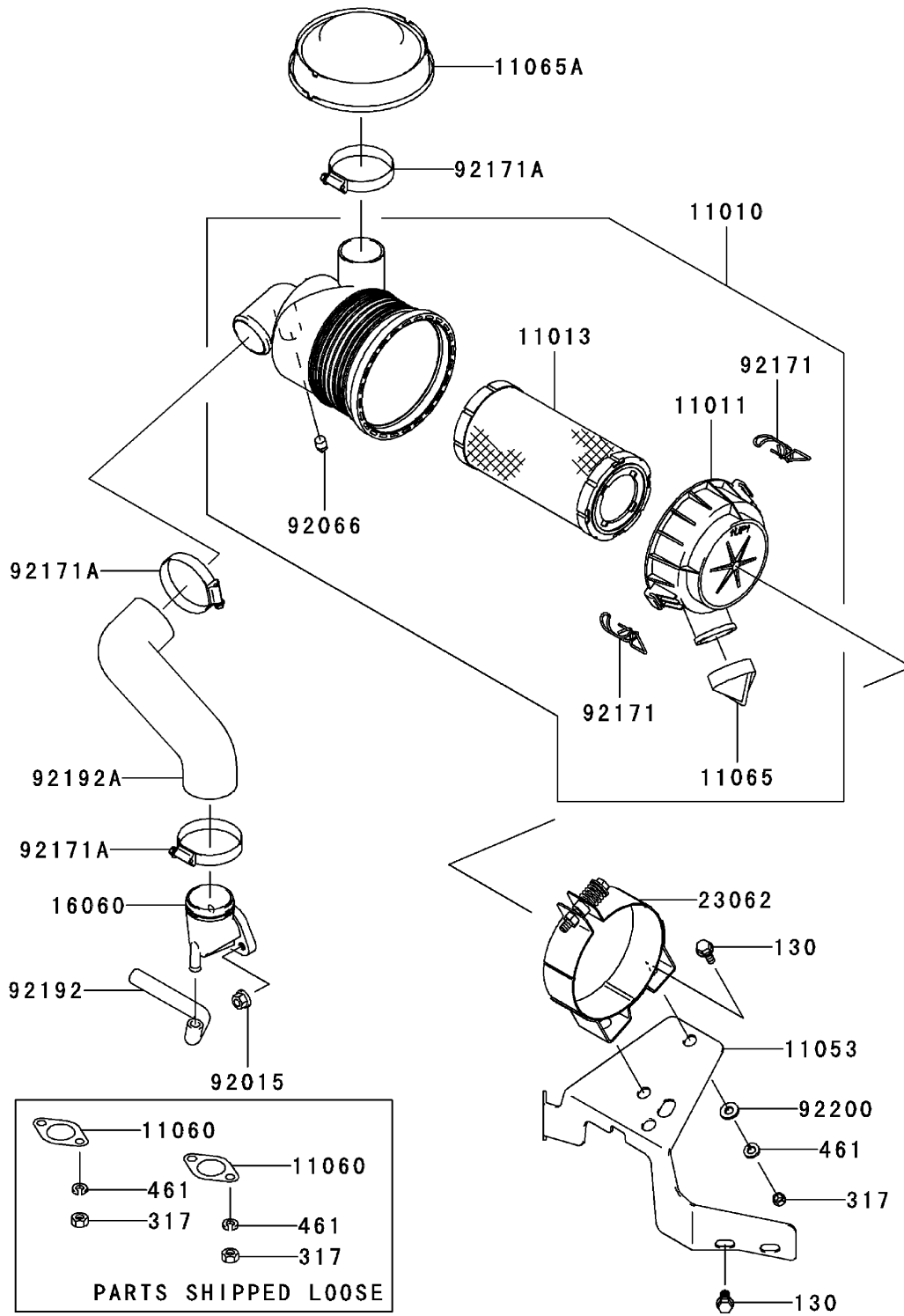
Carburetor Assembly Kawasaki FH580V AS29



Carburetor Assembly Kawasaki FH580V AS29

Ref	Part No.	Qty.	Description				
②11061	11061-7004	2	Gasket-Insulator				
②11061A	11061-7009	1	Gasket-Chamber				
②11061B	11061-7010	1	Gasket-Screw				
②11061C	11061-7018	1	Gasket-Cleaner, Air				
②11061D	11061-7019	2	Gasket				
②13107	13107-7018	1	Shaft				
②15003	15003-7100	1	Carburetor ASM				
②16014	16014-7007	1	Screw-Air, Pilot				
②16020	16020-7003	1	Chamber-Float				
②16025	16025-7006	1	Valve-Throttle				
②16030	16030-7003	1	Valve-Float				
②16031	16031-7002	1	Float				
②16041	16041-7016	1	Shaft-Choke, Carburetor				
②16041A	16041-7018	1	Shaft-Throttle, Carburetor				
②16073	16073-7007	1	Insulator				
②16186	16186-7004	1	Choke Valve ASM				
②21188	21188-7002	1	Solenoid				
②39076	39076-7001	1	Limiter				
②49121	49121-7004	1	Nozzle-Main				
②59076	59076-7001	1	Manifold-Intake				
②92009	92009-2083	2	Screw				
②92009A	92009-2349	1	Screw				
②92063	92063-7062	1	Jet-Main, No.110				
②92081	92081-2234	1	Spring				
②92093	92093-2100	1	Seal				
②92093A	92093-7003	1	Seal				
②92145	92145-7015	1	Spring				
②130	130B0635	4	Bolt-Flanged				
②172	172G0690	2	Bolt-Stud				
②214	214B0510	1	Screw-Pan				

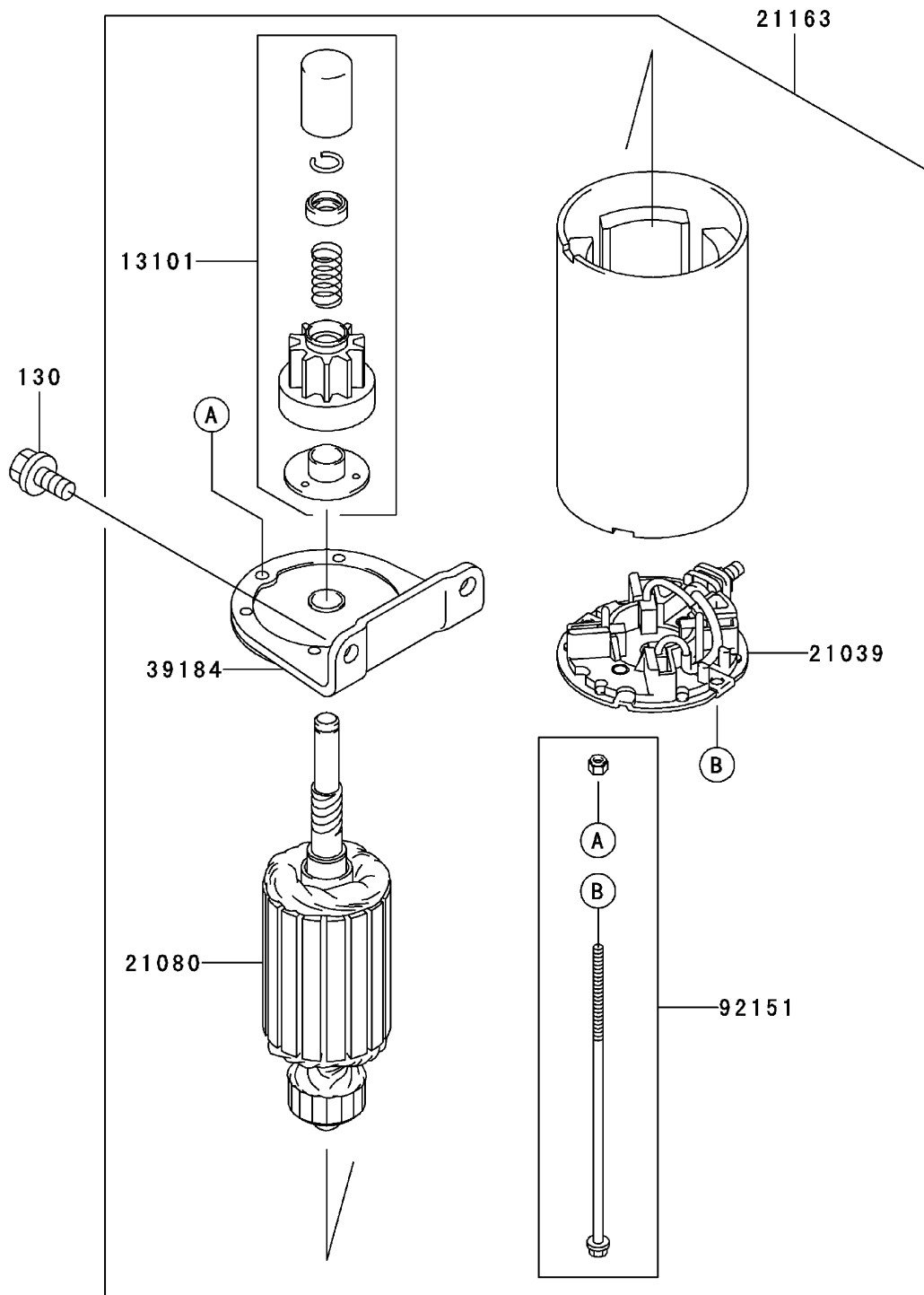
Air Filter/Muffler Assembly Kawasaki FH580V AS29



Air Filter/Muffler Assembly Kawasaki FH580V AS29

Ref	Part No.	Qty.	Description				
②11010	11010-7017	1	Air Filter ASM				
②11011	11011-7032	1	Case-Filter, Air				
②11013	11013-7029	1	Element-Filter, Air				
②11053	11053-7019	1	Bracket				
②11060	11060-7021	2	Gasket-Muffler				
②11065	11065-7008	1	Cap				
②11065A	11065-7011	1	Cap				
②16060	16060-7011	1	Pipe-Intake				
②23062	23062-7012	1	Bracket-Comp				
②92015	92015-1193	2	Nut				
②92066	92066-7018	1	Plug				
②92171	92171-7009	2	Clamp				
②92171A	92171-7010	3	Clamp				
②92192	92192-7013	1	Tube				
②92192A	92192-7014	1	Tube				
②92200	92200-1213	2	Washer (8.5X18X2.3)				
②130	130B0816	3	Bolt-Flanged				
②317	317R0800	6	Nut-Hex				
②461	461F0800	6	Washer-Spring				

Starter Assembly Kawasaki FH580V AS29



Starter Assembly Kawasaki FH580V AS29

Ref	Part No.	Qty.	Description				
②13101	13101-7003	1	Gear ASM				
②21039	21039-7004	1	Brush				
②21080	21080-7001	1	Armature				
②21163	21163-7010	1	Starter-Electric				
②39184	39184-7004	1	Bracket ASM				
②92151	92151-7013	1	Bolt				
②130	130B0816	2	Bolt-Flanged				

Attachments and Accessories

For 74411 - Z149 Z Master, With 44in SFS Side Discharge Mower

Product Name	Model/Part
Atomic Blade	104-1300
Striping Kit	106-3370
Deck Lift Assist Kit	106-9749
Deluxe Suspension Seat	107-1891
Suspension Kit for Standard Seat	107-1892
Z Stand Kit	107-8599
Blade-Atomic, 15.5 Inch (6 Pack)	108-1116
Blade-Extra High Lift, 15.5 Inch (6 Pack)	108-1125
Mower Deck Lift Assist Kit	108-4090
Steel Grass Catcher	30107
Blade	54-0010-03
High Lift Blade	55-4940-03
Recycler Kit	59220
Recycler Kit (MS / ZRT)	59226
Boot and Tube Kit	78492
DFS Vac Collection System	78500
Twin Bagger	78507
44 Inch Deck Finishing Kit (Twin Bagger)	78508
Recycler Blade	92-7952-03
Hitch Kit	99-8924

