



5-Blade Reel Mower Reelmaster® 5500-D and 6000-D Series

Model No. 03860 - 260000001 and up.

Parts Catalog

Ordering Replacement Parts

To order replacement parts, please supply the part number, the quantity, and the description of each part desired.

Understanding Reference Numbers

Each Identified part in an illustration has a reference number. The reference number for a part also appears in the parts list, along with other information about the part.

This catalog uses two special reference number formats, one to indicate parts in a service assembly and another to indicate the quantity of a given part in an illustration.

Service Assembly Reference Numbers

Parts in service assemblies have reference numbers in the form a:b. The a represents the reference number of the entire service assembly and the b represents a sequential number unique to each part within the service assembly.

For example, a wheel assembly might be identified by reference number 6, the tire by 6:1, the valve by 6:2, and the wheel by 6:3. When you order the assembly identified by reference number 6, you receive all parts identified by reference numbers 6:1, 6:2, and 6:3. However, you may also order any part individually. Reference numbers of this type appear in illustrations and in part lists.

Reference Numbers Indicating Quantity

In an illustration, if a reference number indicates more than one part, the reference number has the form nX y. The n represents the quantity of the part, the X is the multiplication symbol, and the y represents the reference number.

For example, in an illustration, the reference number 2X 37 means that two of the parts identified by reference number 37 are indicated.

Contents

Description	Page	Description	Page
Reel and Frame Assembly 3	Wiehle Roller Assembly No. 100-9906 7
Roller and Carrier Frame Assembly 5	Gauge Bar, Angle Indicator and Handle Assembly 8
Full Roller Assembly No. 99-5749 6	Attachments and Accessories List 9

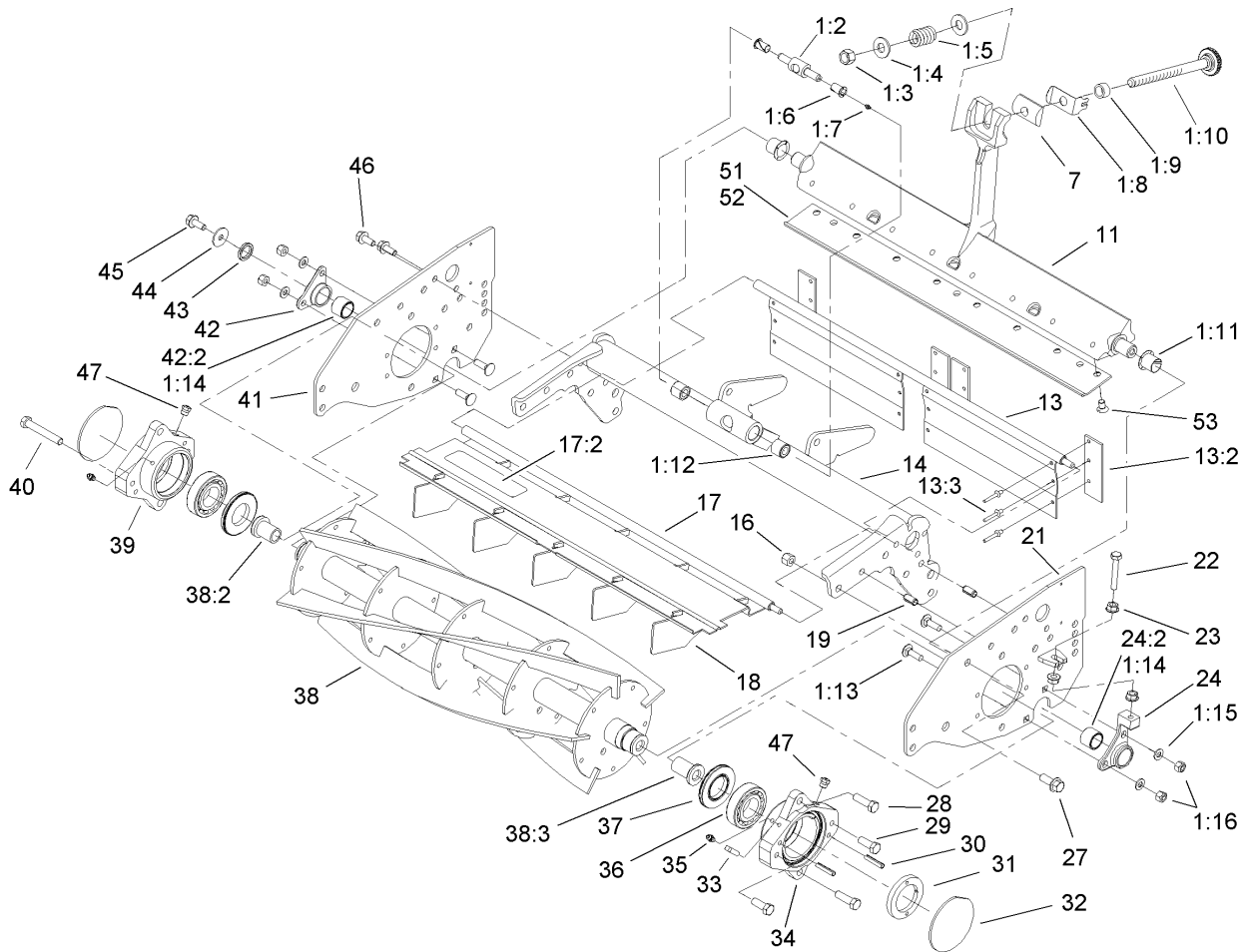
Part Description Abbreviations

Part descriptions in this catalog may include the following abbreviations.

AR. as required	INC. incorporated
ASM. assembly	LH. left hand
BBC. blade brake clutch	NI. nylon insert
CARR. carriage	NPTF. national pipe thread fine
DEG. degrees	PFH. phillips flat head
EXT. external	PPH. phillips pan head
FH. flat head	PPHTF. phillips pan head thread forming
GA. gauge	PRH. phillips round head
HF. hex flange	PTH. phillips truss head
HH. hex head	PTO. power-take-off
HHF. hex head flange	RH. right hand
HHFTF. hex head flange thread forming	ROPS. roll-over-protection-system
HJ. hex jam	SFH. slotted fillister head
HLH. hex lag head	SHH. slotted hex head
HOC. height-of-cut	SHWH. slotted hex washer head
HSBH. hex socket button head	SPH. slotted pan head
HSFH. hex socket flat head	SQH. square head
HSH. hex socket head	SRH. slotted round head
HWH. hex washer head	STD. standard
HWHTF. hex washer head thread forming	TAP. self tapping
HYD. hydraulic	TTH. torx truss head

Footnotes

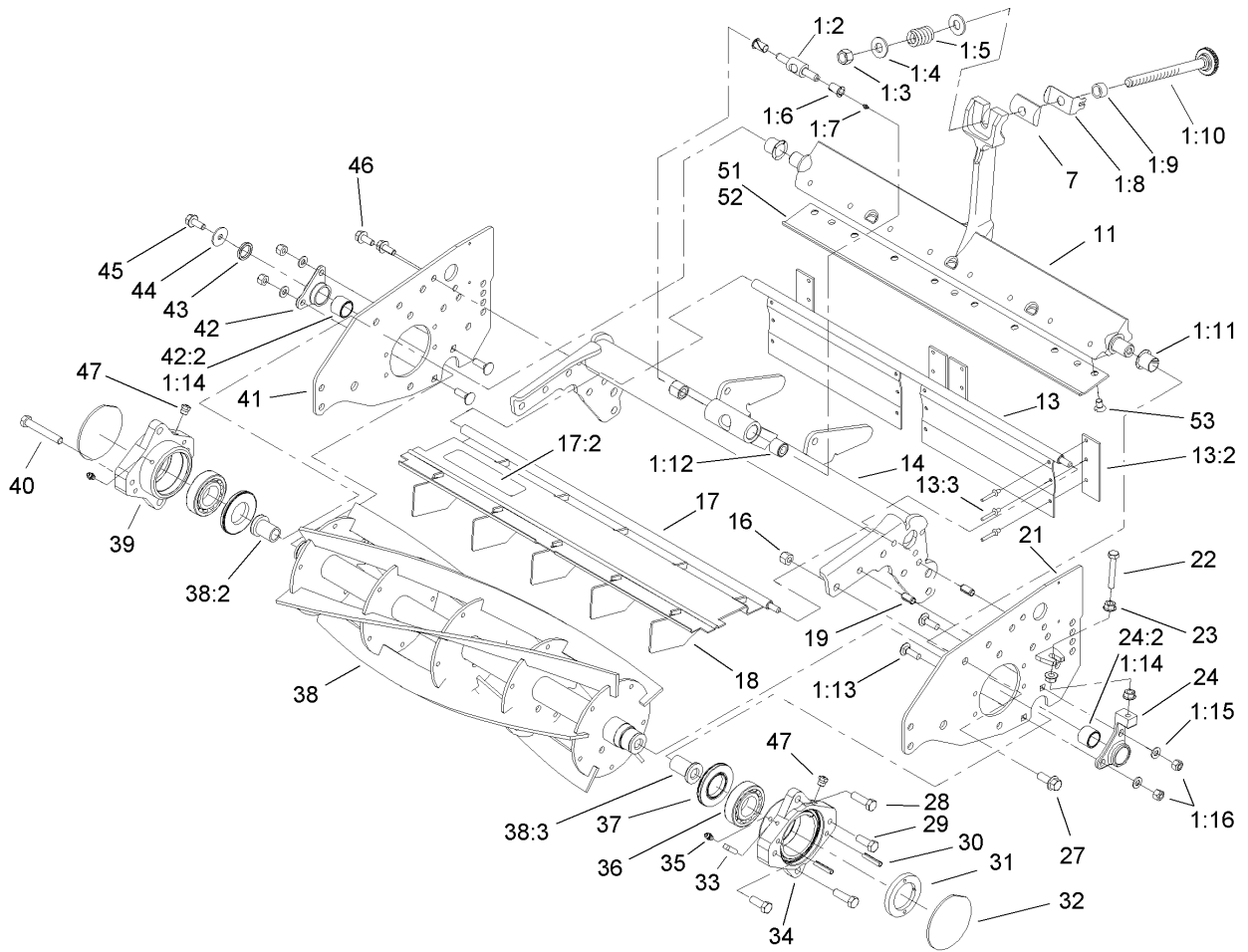
- ❶ Optional Equipment



Reel and Frame Assembly

Ref	Part No.	Qty.	Description
1	106-9605	1	Bedbar Pivot Kit
1:2	107-7409	1	Pin-Pivot, Bedbar
1:3	3296-62	1	Nut-Lock NI
1:4	29-8910	2	Washer
1:5	95-0772	1	Spring-Compression
1:6	52-2890	2	Bushing-Nylon
1:7	302-18	1	Fitting-Grease
1:8	95-8752	1	Arm-Spring
1:9	93-2959	1	Spacer-Adjuster
1:10	106-7536	1	Bedbar Adjuster ASM
1:11	93-7502	2	Bushing-Flanged
1:12	62-5510	2	Bushing-Rubber
1:13	3230-2	4	Bolt-CARR
1:14	93-7501	1	Bushing ASM
1:15	3256-74	4	Washer-Flat
1:16	3296-29	4	Nut-Lock, NI
7	93-2892	1	Pivot-Bedbar, Main Adjuster
11	99-8698-01	1	Bedbar
13	100-2289	1	Rear Grass Shield ASM
13:2	98-3999	4	Flap-Side
13:3	700382	12	Rivet
14	100-4994-01	1	Frame-Reel
16	3296-39	12	Nut-Lock, NI
17	100-9900	1	Front Grass Shield ASM

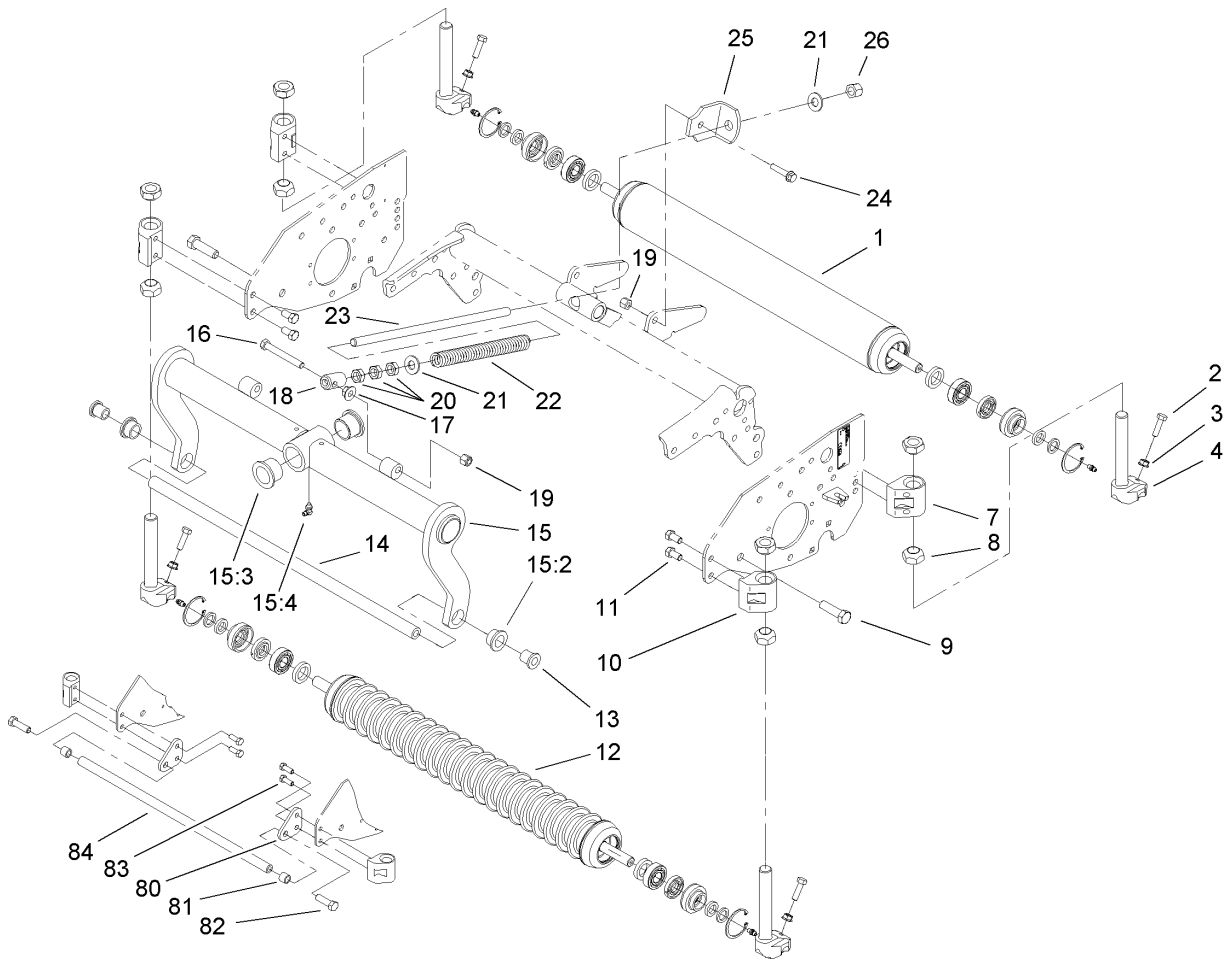
Ref	Part No.	Qty.	Description
17:2	93-6688	1	Decal-Danger, Europe
17:2	67-7960	1	Decal-Danger
17:2	94-4584	1	Decal-Danger, Japan
18	100-2287	5	Deflector-Shield, Grass
19	32121-36	4	Pin-Spring
21	100-2268-01	1	LH Sideplate ASM
22	94-3489	1	Capscrew-HH
23	33004-00	3	Nut-HF
24	100-3381	1	LH Pivot Hub ASM
24:2	93-7501	1	Bushing ASM
27	3234-11	8	Screw-HHF
28	323-7	4	Screw-HH
29	323-6	2	Screw-HH
30	32121-69	4	Pin-Spring
31	95-2793	1	Nut-Adjustment, Bearing
32	94-2703	1	Plug
33	105-6758	1	Setscrew-SQH
34	105-6755	1	Housing-Bearing, LH
35	302-5	2	Fitting-Grease
36	93-2489	2	Bearing
37	107-4028	2	Seal-Grease
38	94-4337	1	5 Blade Reel ASM
38:2	94-2732	1	Insert-Threaded, RH
38:3	94-2733	1	Insert-Threaded, LH



Reel and Frame Assembly (continued)

Ref	Part No.	Qty.	Description
39	105-6759	1	Housing-Bearing, RH
40	323-12	2	Screw-HH
41	100-2267-01	1	Sideplate-RH
42	100-3380	1	RH Pivot Hub ASM
42:2	93-7501	1	Bushing ASM
43	93-7510	1	Ring-Quad
44	3256-82	1	Washer-Flat
45	33104-020	1	Screw-HHF
46	3234-5	2	Screw-HHF
47	302-39	2	Fitting-Plug
51	93-9774	1	Bedknife
●52	98-3994	1	Bedknife-Highcut
53	57-4910	8	Screw-Special

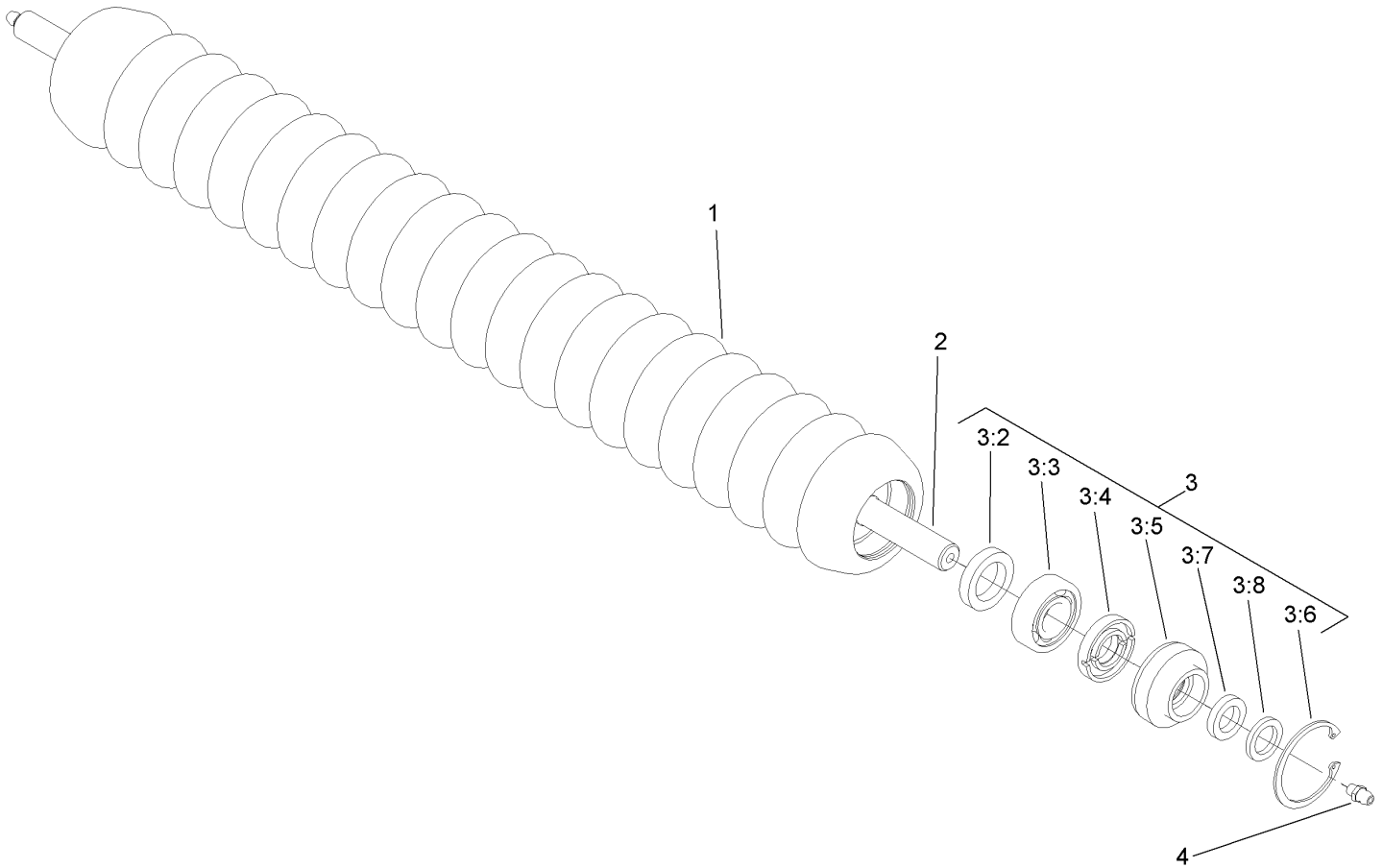
--	--	--	--



Roller and Carrier Frame Assembly

Ref	Part No.	Qty.	Description
1	99-5749	1	Full Roller ASM
2	322-16	4	Screw-HH
3	32128-20	4	Nut-HF
4	100-2263	4	Support-Rod
7	100-2262-01	2	Rear HOC Bracket ASM
●8	95-2790	1	Nut-Cone, Tall
8	95-2789	8	Nut-Cone
9	325-7	2	Screw-HH
10	100-2261-01	2	Bracket-HOC, Front
11	323-4	8	Screw-HH
12	100-9906	1	Wiehle Roller ASM
●12	100-9911	1	Shoulder Roller ASM
●12	99-8675	1	Shoulder Roller ASM
13	100-2276	2	Spacer-Frame
14	99-8693	1	Rod-Support
15	100-8011	1	Carrier Frame ASM
15:2	93-2877	2	Bushing
15:3	94-1291	2	Bushing
15:4	302-60	1	Fitting-Grease, 90 DEG
16	99-8664	1	Screw-HH
17	32128-43	1	Nut-Flange
18	99-8662	1	Tube-Spring
19	3296-39	2	Nut-Lock, NI
20	3218-5	3	Nut-Jam

Ref	Part No.	Qty.	Description
21	87-7270	2	Washer-Thrust
22	92-7768	1	Spring-Compression
23	99-8661	1	Rod-Spring
24	3234-18	1	Screw-HHF
25	100-4992	1	Bracket-Spring
26	3296-23	1	Nut-Lock, NI
●80	100-9903	2	Bracket-Support
●81	100-9919	2	Spacer
●82	325-7	2	Screw-HH
●83	323-6	4	Screw-HH
●84	99-8693	1	Rod-Support



Wiehle Roller Assembly No. 100-9906

Ref	Part No.	Qty.	Description
1	100-9905-03	1	Wiehle Roller ASM
2	99-5748	1	Shaft-Roller
3	106-9606	1	Roller Kit
3:2	93-3007	2	Seal-Oil
3:3	109966	2	Bearing-Ball
3:4	93-1251	2	Seal-Inner
3:5	93-1252	2	Seal-Outer
3:6	32120-62	2	Ring-Retaining
3:7	253-70	2	Seal-Oil
3:8	93-2931	2	Washer-Roller
4	302-5	2	Fitting-Grease

--	--	--	--

Attachments and Accessories

For 03860 - 5-Blade Reel Mower, Reelmaster 5500-D and 6000-D Series

Product Name	Model/Part
Left Hand Groomer Kit	03810
Right Hand Groomer Kit	03811
Rear Roller Brush Kit	03876
Grass Basket Kit	03882
Wiehle Scraper	100-9908-03
Shoulder Wiehle Roller, Reelmaster 5500	100-9911
Shoulder Scraper, Reelmaster 5500	100-9913-03
Rear Roller Scraper Kit	100-9920
Comb/Scraper Kit	104-1845
3 Inch Diameter Collar Kit	104-8215
Bedbar Pivots Kit	106-9605
Roller Kit	106-9606
Grass Basket ASM	107-9518
Wiehle Scraper ASM	108-0605-03
Gauge Bar ASM	108-6715
Grass Basket Kit (with Groomers only)	108-6743
Bedknife-Highcut	98-3994
25cc Hydraulic Motor	98-9998
Shoulder Wiehle Scraper, Reelmaster 6000	99-8670-03
Shoulder Wiehle Roller, Reelmaster 6000	99-8675

NOTES

NOTES

