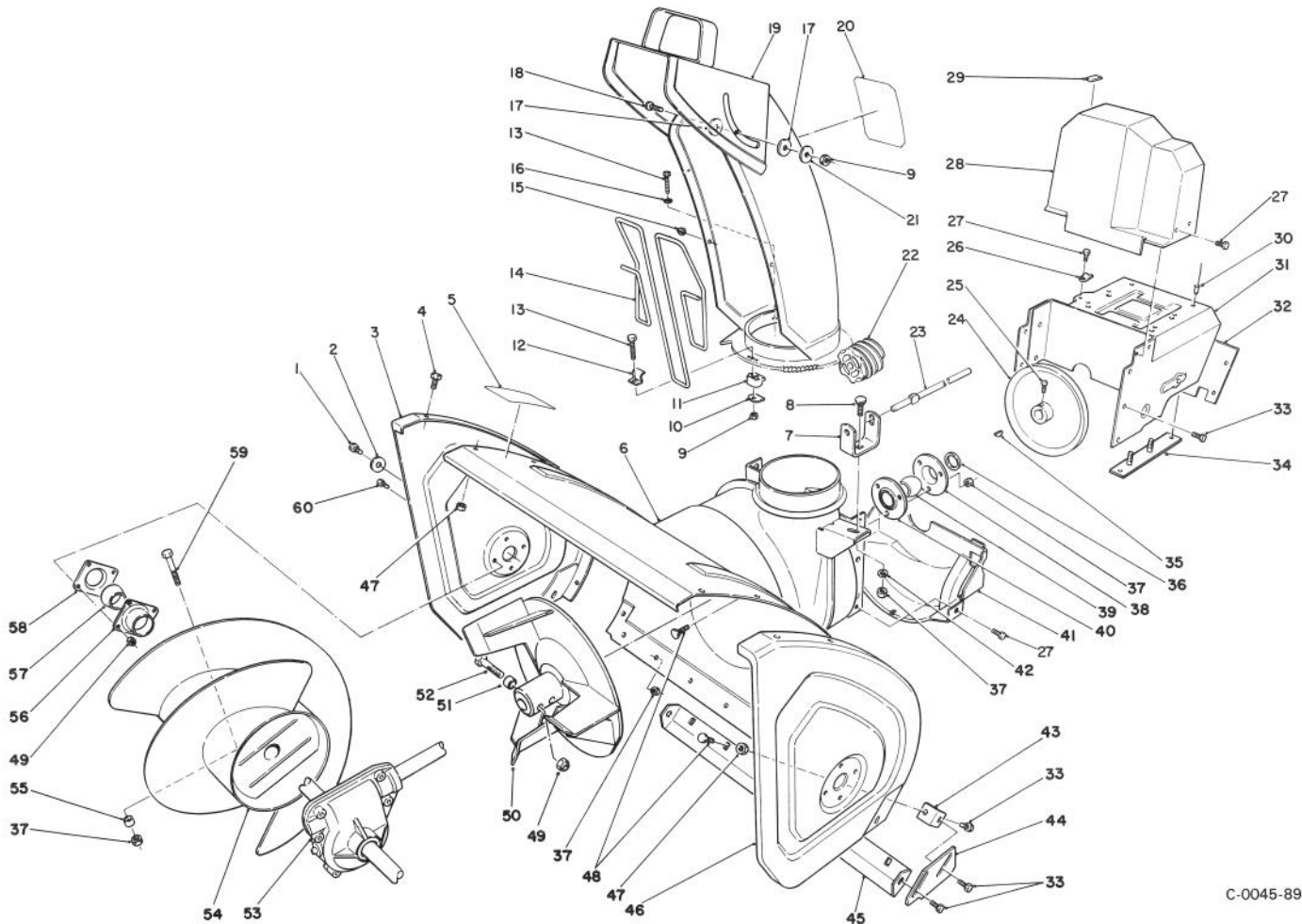


MODEL NO. 38520-900001 & UP  
MODEL NO. 38525-900001 & UP

**PARTS  
CATALOG**

**824 SNOWTHROWER**



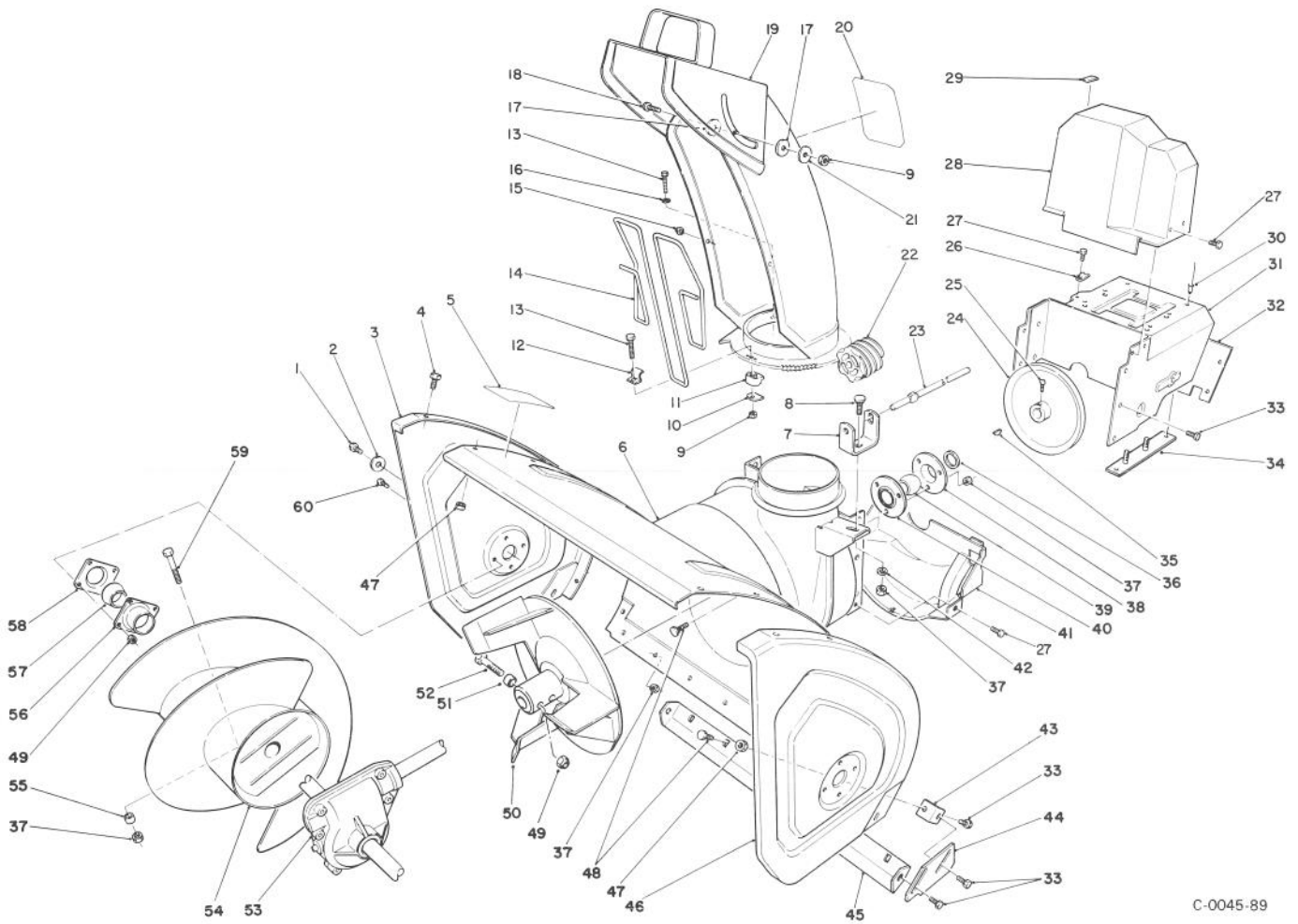
C-0045-89

**HOUSING & CHUTE ASSEMBLY**

Ref. No.	Part No.	Description	No. Used
1	323-6	Screw - Cap Hex Hd.	2
2	3-0750	Washer - Retaining	2
3	66-7820	Plate - Side R.H.	1
4	3234-28	Screw - Hex Flange Hd.	10
5	53-7670	Decal - Danger Auger	1
6	62-0720	Housing - 24"	1
7	63-2180	Bracket - Gear	1
8	3230-2	Bolt - Carriage	1
9	3296-2	Nut - Lock	4
10	63-2670	Plate - Chute Retainer	3
11	62-1430	Retainer - Chute	3
12	63-3130	Bracket - Chute Guard	1
13	3274-13	Screw - Machine	3
14	63-3020	Guard - Chute	1
15	3290-326	Nut - Push	2

Ref. No.	Part No.	Description	No. Used
16	3256-14	Washer - Flat	1
17	63-2900	Washer - Plastic	2
18	32122-32	Screw	1
19	62-0840	Chute Assembly	1
20	63-3740	Decal - Danger Chute (Model No. 38520)	1
*	53-7660	Decal - Danger Chute (Model No. 38525)	1
21	3256-61	Washer - Flat	1
22	62-0820	Gear - Worm	1
23	62-1720	Rod - Chute Gear	1
24	62-1300	Pulley - Impeller	1
25	3242-4	Screw - Set Sq. Hd.	2
26	63-2300	Retainer - Cable	1
27	32144-4	Screw - Hex. Flange Hd.	6

\*Not Illustrated

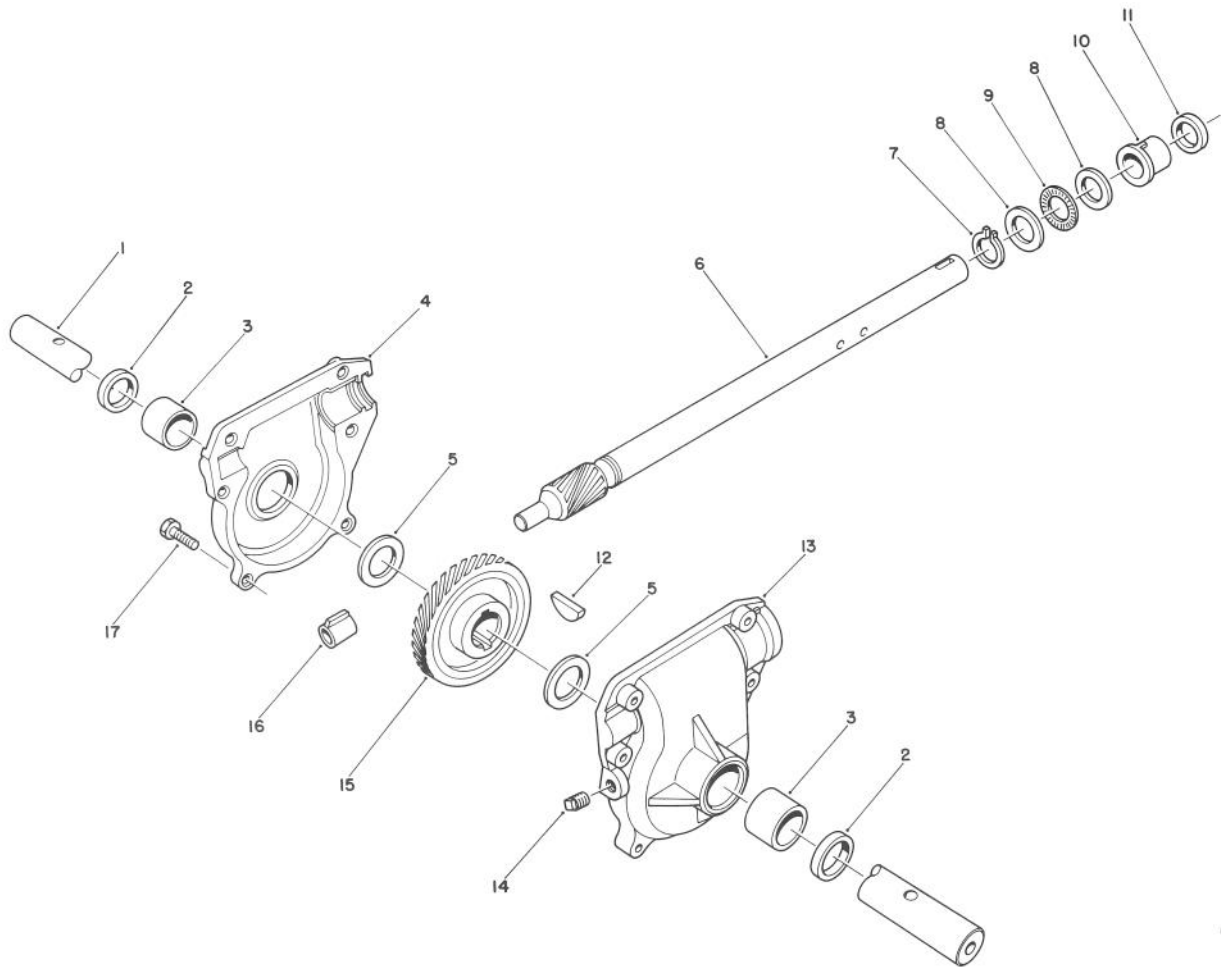


C-0045-89

## HOUSING & CHUTE ASSEMBLY (Continued)

Ref. No.	Part No.	Description	No. Used	Ref. No.	Part No.	Description	No. Used
28	63-2080	Cover - Belt (Upper)	1	49	3296-42	Nut - Lock	10
29	63-3290	Cover - Cable	1	50	66-7910	Impeller	1
30	3269-23	Rivet	4	51	66-8010	Spacer	2
31	66-7781	Frame - Engine	1	52	321-44	Screw - Cap Hex. Hd.	2
32	62-1440	Cover - Engine Frame	1	53	66-8020	Auger Gearbox Assembly	1
33	3234-7	Screw - Hex. Washer Hd.	12	54	63-2750	Auger - R.H. (Model No. 38520)	1
34	68-4130	Plate - Engine Stud L.H.	1	*	63-2760	Auger - L.H. (Model No. 38520)	1
*	68-4120	Plate - Engine Stud R.H.	1	*	68-7450	Auger - R.H. (Model No. 38525)	1
35	3257-23	Key - Woodruff	1	*	68-7460	Auger - L.H. (Model No. 38525)	1
36	252-80	Washer - Thrust	1	55	25-5090	Spacer - Auger Hub	2
37	3296-29	Nut - Lock	12	56	20-0990	Flange - Bearing (Inner)	2
38		Flange - Bearing (Rear)	1	57	20-0980	Bearing - Auger	2
39	63-3450	Bearing - Impeller	1	58	20-1000	Flange - Bearing (Outer)	2
40		Flange - Bearing (Front)	1	59	17-7030	Bolt - Auger	2
41	62-1400	Cover - Belt (Lower)	1	60	321-3	Screw - Cap Hex Hd.	8
42	3256-23	Washer - Flat	1	*	12-8789	Impeller Bearing Assembly (Incl. Ref. #38-40)	1
43	62-1240	Bracket - Skid	2	*	12-8949	Loose Parts	1
44	62-0980	Plate - Skid L.H.	1				
*	62-0990	Plate - Skid R.H.	1				
45	66-7762	Blade - Scraper	1				
46	66-7830	Plate - Side L.H.	1				
47	3296-47	Nut - Lock	12				
48	3230-23	Screw - Carriage	9				

\*Not Illustrated

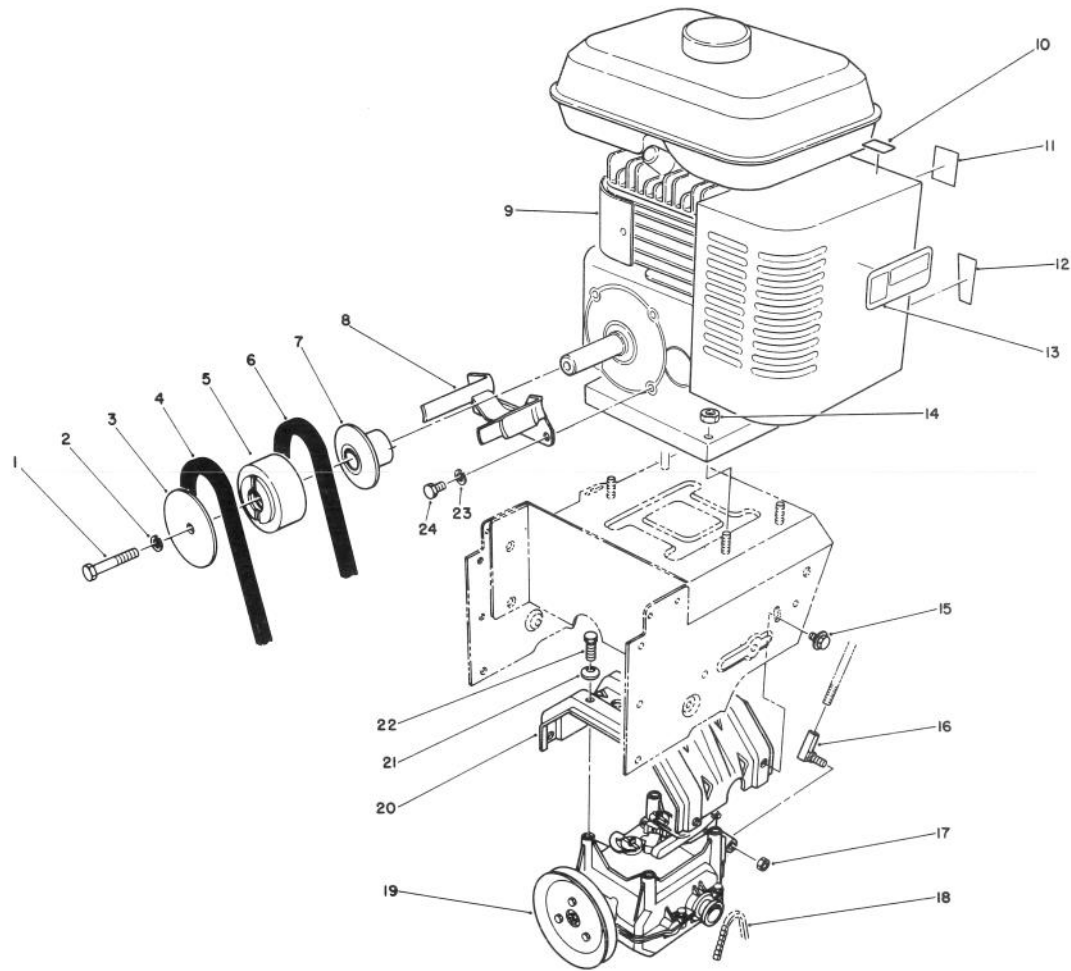


C-0046-89

## 24" AUGER GEARCASE ASSEMBLY NO. 66-8020

Ref. No.	Part No.	Description	No. Used
1	62-1530	Shaft - Auger (24")	1
2	7-0045	Seal - Oil	2
3	256-237	Bushing - Sleeve	2
4	62-0570	Gearcase Assembly - R.H. (Incl. Ref. # 2-3)	2
5	252-71	Bearing - Thrust	2
6	66-7810	Shaft - Impeller	1
7	32151-33	Ring - Snap	1
8	252-78	Washer - Thrust	2
9	252-76	Bearing - Thrust	1

Ref. No.	Part No.	Description	No. Used
10	37-6560	Bushing - Input	1
11	253-149	Seal - Input	1
12	3257-10	Key - Woodruff	1
13	62-0580	Gearcase Assembly - L.H. (Incl. Ref. # 2-3)	1
14	281-1	Plug - Pipe Sq. Hd.	1
15	62-0120	Gear - Helical	1
16	62-1150	Bushing - Worm	1
17	32144-86	Screw - Hex Washer Hd.	6



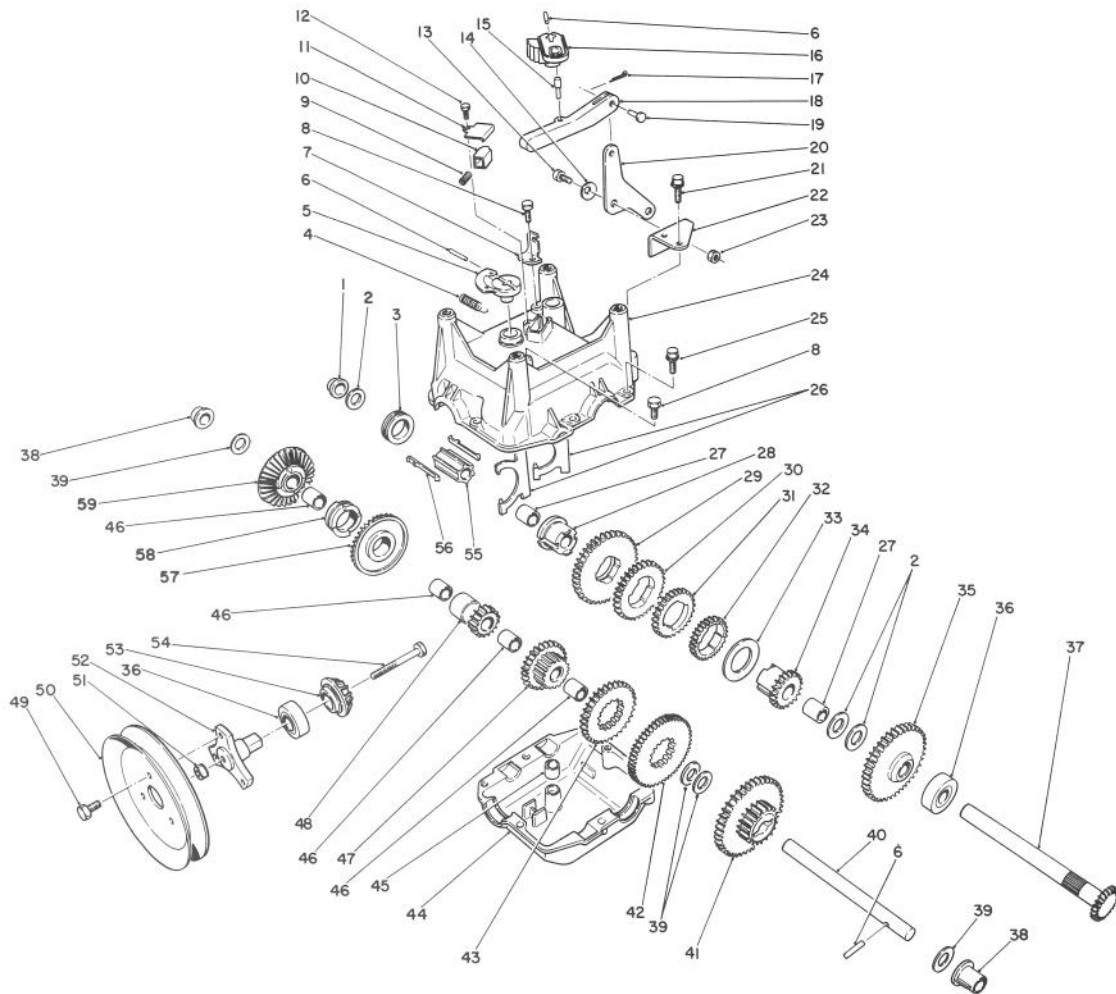
C-0049-89

## ENGINE ASSEMBLY

Ref. No.	Part No.	Description	No. Used
1	3211-9	Screw - Cap Hex. Hd.	1
2	3253-21	Washer - Lock	1
3	62-0910	Sheave Half - Impeller	1
4	63-2961	Belt - Impeller	1
5	62-0900	Hub - Sheave	1
6	63-2952	Belt - Traction	1
7	62-0890	Sheave Half - Traction	1
8	68-7490	Guide - Belt	1
9	68-8290	Engine - 8 hp.	1
10	68-8540	Decal - Primer	1
11	68-9030	Decal - Choke (Model No. 38520)	1
*	63-3490	Decal - Choke (Model No. 38525)	1
12	63-3190	Decal - Throttle	1

Ref. No.	Part No.	Description	No. Used
13	62-7290	Decal - Hot Surface (Model No. 38520)	1
*	63-2310	Decal - Hot Surface (Model No. 38525)	1
14	3290-357	Nut - Lock	4
15	3234-7	Screw - Hex Flange Hd.	4
16	63-2640	Joint- Ball	1
17	3296-39	Nut - Lock	1
18	63-2930	Chain - Drive	1
19	66-8030	Transmission Assembly	1
20	63-2990	Frame - Transmission	1
21	3290-461	Washer - Belleville	4
22	11-0590	Screw - Cap Hex Hd.	4
23	3253-4	Washer - Lock	2
24	3210-1	Screw - Cap Hex Hd.	2

\*Not Illustrated

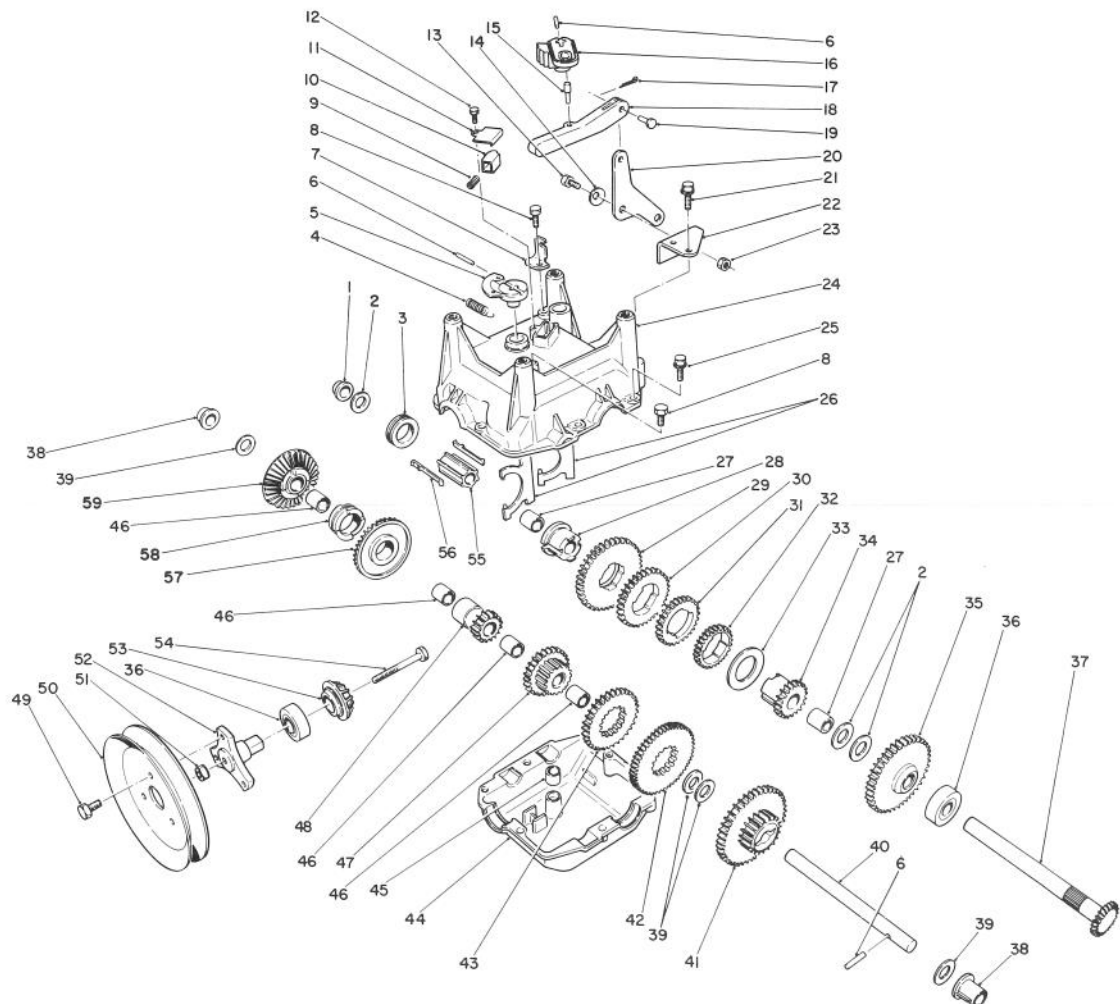


C-0052-89

## TRANSMISSION ASSEMBLY NO. 66-8030

Ref. No.	Part No.	Description	No. Used
1	62-1180	Bushing - Output (Flange)	1
2	252-59	Washer - Thrust	3
3	62-0430	Collar - Shift (Speed)	1
4	63-2920	Spring - Extension (F/R Return)	1
5	62-0880	Lever - Direction Shift	1
6	32121-106	Pin - Coil	3
7	62-1740	Bracket - Cable	1
8	32144-4	Screw - Self Tapping	2
9	63-2890	Spring - Compression (Detent)	1
10	62-1020	Button - Detent	1
11	62-1690	Cover - Detent	1
12	32104-71	Screw - Pan Hd.	1
13	63-3410	Bolt - Shoulder	1
14	3290-477	Washer - Curved	1
15	63-2190	Pin - Gearshift Link	1
16	62-0870	Lever - Gear Shift	1
17	3272-1	Pin - Cotter	1
18	62-0860	Link - Gearshift	1
19	283-3	Pin - Clevis	1
20	63-2600	Bellcrank	1
21	32104-95	Screw - Hex Washer Hd.	2

Ref. No.	Part No.	Description	No. Used
22	62-1190	Bracket - Bellcrank	1
23	3296-42	Nut - Lock	1
24	62-0490	Gear Case - Upper	1
25	32144-86	Screw - Hex Washer Hd.	6
26	62-1040	Yoke-Shift	2
27	62-1350	Bushing - Output	2
28	62-0320	Sleeve	1
29	62-0240	Gear - 45T	1
30	62-0220	Gear - 34T	1
31	62-0200	Gear - 27T	1
32	62-0250	Gear - 29T	1
33	63-2280	Washer - Thrust	1
34	62-0340	Sleeve Gear 19T	1
35	62-0370	Gear - 41T	1
36	38-7820	Bearing - Ball	2
37	62-1080	Shaft - Output	1
38	62-1170	Bushing - Flange	2
39	257-10	Washer - Thrust	4
40	62-0330	Shaft - Intermediate	1
41	62-0360	Gear - Compound 19T/41T	1
42	62-0260	Gear - 51T	1
43	62-0210	Gear - 33T	1
44	62-0480	Gear Case - Lower	1

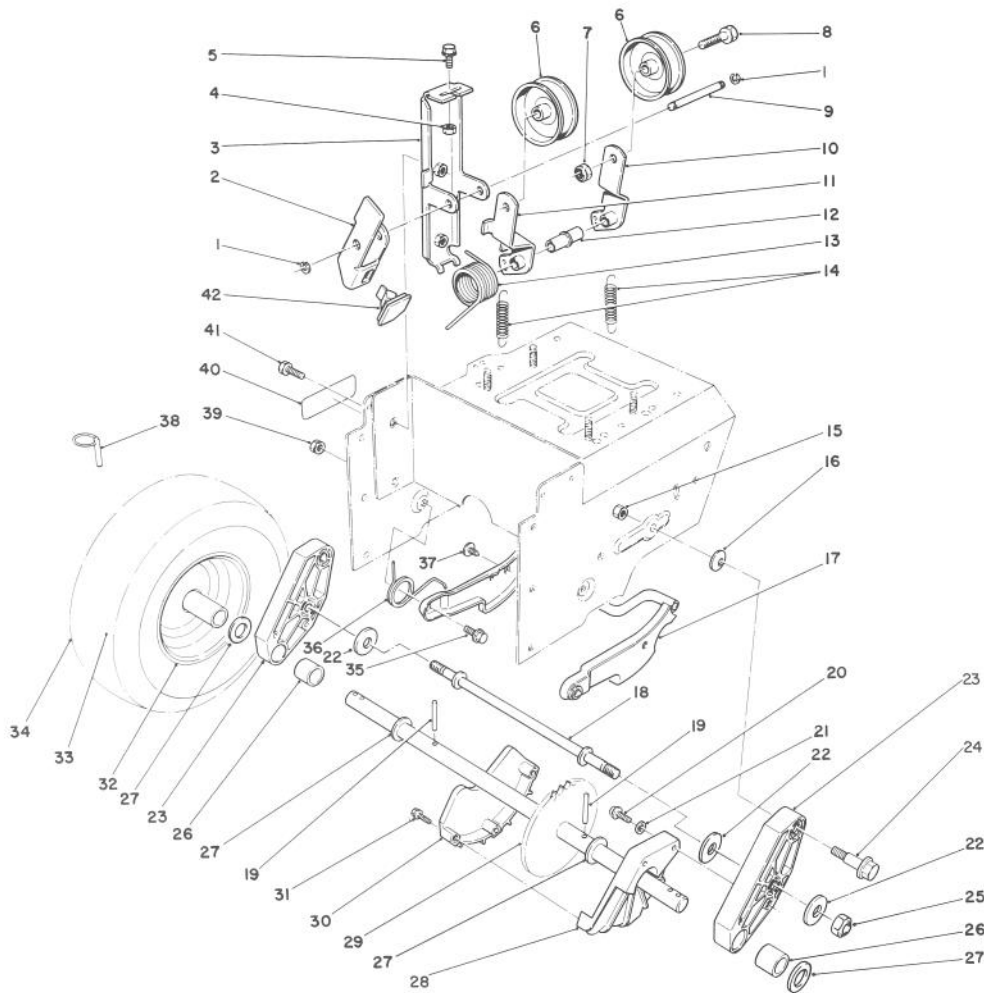


C-0052-89

## TRANSMISSION ASSEMBLY NO. 66-8030 (Continued)

Ref. No.	Part No.	Description	No. Used
45	29-9570	Bushing - Yoke	1
46	62-1160	Bushing - Intermediate	4
47	68-4310	Gear - 26T	1
48	62-0500	Gear - 15T	1
49	12-3270	Screw	3
50	62-1310	Pulley - Traction	1
51	32128-32	Nut - Flange Lock	1
52	62-0380	Hub - Pulley	1

Ref. No.	Part No.	Description	No. Used
53	62-0350	Pinion - Bevel 19T	1
54	321-15	Screw - Cap Hex Hd.	1
55	68-4320	Sleeve - Shift	1
56	62-0310	Key - Shift	2
57	67-5870	Gear - Bevel 36T	1
58	67-5880	Collar - Shift	1
59	13-3559	Gear - Bevel Reverse 36T (Incl. Ref. #46)	1

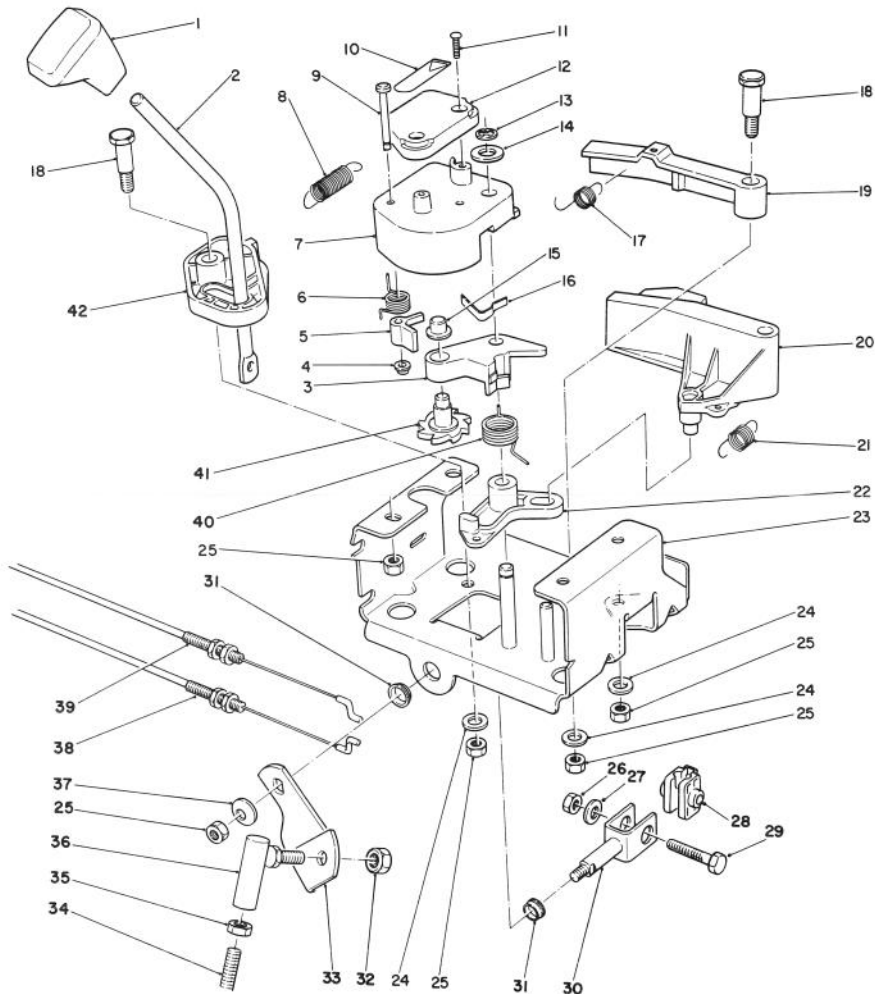


C-0053-89

## TRACTION DRIVE ASSEMBLY

Ref. No.	Part No.	Description	No. Used	Ref. No.	Part No.	Description	No. Used
1	32120-46	Ring - Retaining	2	25	3296-23	Nut - Lock	2
2	63-2810	Arm - Brake	1	26	63-2250	Bushing - Axle	2
3	63-2850	Bracket - Idler Arm	1	27	252-80	Washer - Thrust	4
4	3296-42	Nut - Lock	1	28	62-1010	Guard - Chain L.H.	1
5	3234-13	Screw - Hex. Washer Hd.	1	29	63-2110	Axle Assembly	1
6	3-4244	Pulley - Idler	2	30	62-1000	Guard - Chain R.H.	1
7	3296-59	Nut - Lock	2	31	32104-118	Screw - Hex Flange Hd.	3
8	323-7	Screw - Cap Hex Hd.	2	32	241-128	Rim - Wheel	2
9	62-0970	Pin - Idler	1	33	232-46	Tube - Inner	2
10	62-1260	Arm - Traction Idler	1	34	231-120	Tire	2
11	62-1280	Arm - Impeller Idler	1	35	5-2490	Bolt - Shoulder	2
12	62-1210	Bushing - Idler	1	36	63-2740	Spring - Torsion	1
13	63-2880	Spring - Torsion	1	37	3290-476	Fastener - Panel	1
14	63-2870	Spring - Extension	2	38	3290-243	Pin - Klik	2
15	3296-39	Nut - Lock	2	39	3296-47	Nut - Lock	2
16	3290-461	Washer - Belleville	2	40	63-3460	Decal - Adjustment (Model No. 38520)	1
17	62-0470	Latch - Arm	1	*	63-3470	Decal - Adjustment (Model No. 38525)	1
18	66-7720	Rod - Latch	1	41	3234-7	Screw - Hex Flange Hd.	2
19	32121-9	Pin - Roll	2	42	66-8060	Pad - Brake	1
20	32144-4	Screw - Hex Flange Hd.	2	*	67-9220	Wheel & Tire Assembly (Incl. Ref. #32-34)	1
21	3256-1	Washer - Flat	2	*	56-2700	Tire Chains Kit (Optional)	1
22	63-3340	Washer	4				
23	66-7740	Pivot Arm Assembly (Incl. Ref. # 26)	2				
24	62-1330	Bolt - Shoulder	2				

\*Not Illustrated

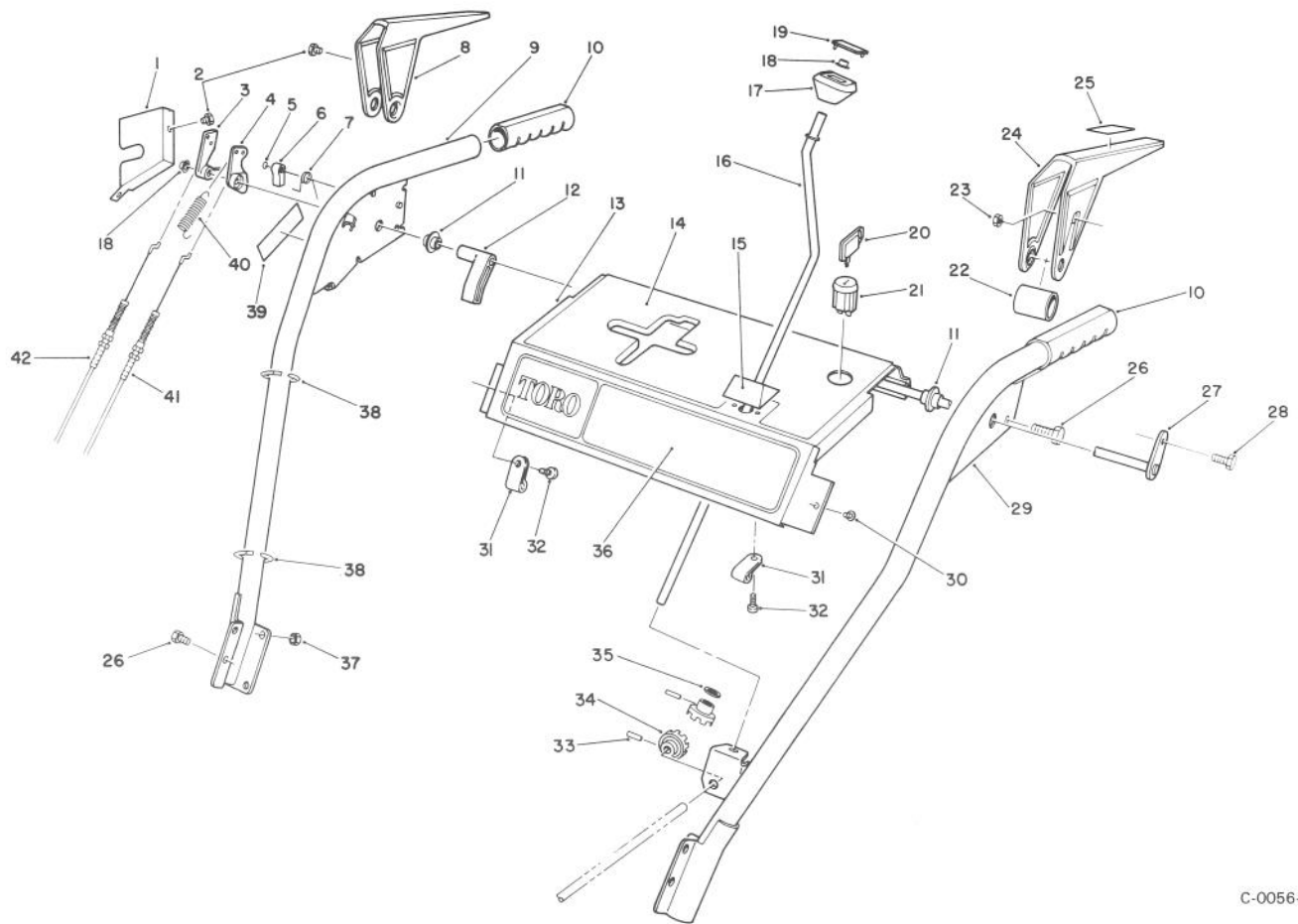


C-0054-89

## TRACTION LINKAGE ASSEMBLY

Ref. No.	Part No.	Description	No. Used
1	62-1290	Knob - Shift	1
2	67-9240	Rod - Shift (Upper)	1
3	62-1110	Lever - Index Wheel	1
4	3290-422	Nut - Push	1
5	62-0180	Tang - Index	1
6	62-1650	Spring - Torsion	1
7	62-1100	Lever - Latch	1
8	63-2220	Spring - Extension (Latch Lever)	1
9	63-2610	Pin - Tang	1
10	63-2480	Decal - #2	1
11	32104-118	Screw - Pan Hd.	2
12	62-1140	Cover - Latch	1
13	32120-46	Ring - Retaining	1
14	257-9	Washer - Thrust	1
15	3290-320	Nut - Push	1
16	62-1710	Spring - Flat	1
17	63-2240	Spring - Extension (Lockout)	1
18	63-2650	Screw - Shoulder	2
19	62-1700	Lever - Lockout	1
20	62-1130	Lever - Reverse	1

Ref. No.	Part No.	Description	No. Used
21	63-2230	Spring - Extension (Reverse Lever)	1
22	62-1120	Lever - Reverse	1
23	63-2150	Frame - Control	1
24	3256-23	Washer - Flat	3
25	3296-29	Nut - Lock	7
26	3296-42	Nut - Lock	1
27	3256-1	Washer - Flat	1
28	67-9250	Retainer - Shift Rod	1
29	321-43	Screw - Cap Hex. Hd.	1
30	66-7730	Clevis	1
31	256-296	Bushing - Nyloner	2
32	3296-39	Nut - Lock	1
33	63-2630	Bracket - Shift	1
34	63-2620	Rod - Shift (Lower)	1
35	3220-3	Nut - Jam	2
36	63-2640	Joint - Ball	1
37	3290-456	Washer - Belleville	1
38	63-2210	Cable - Gearbox	1
39	63-2200	Cable - Latch	1
40	63-2270	Spring - Torsion	1
41	62-0170	Wheel - Index	1
42	62-1470	Base - Lockout	1



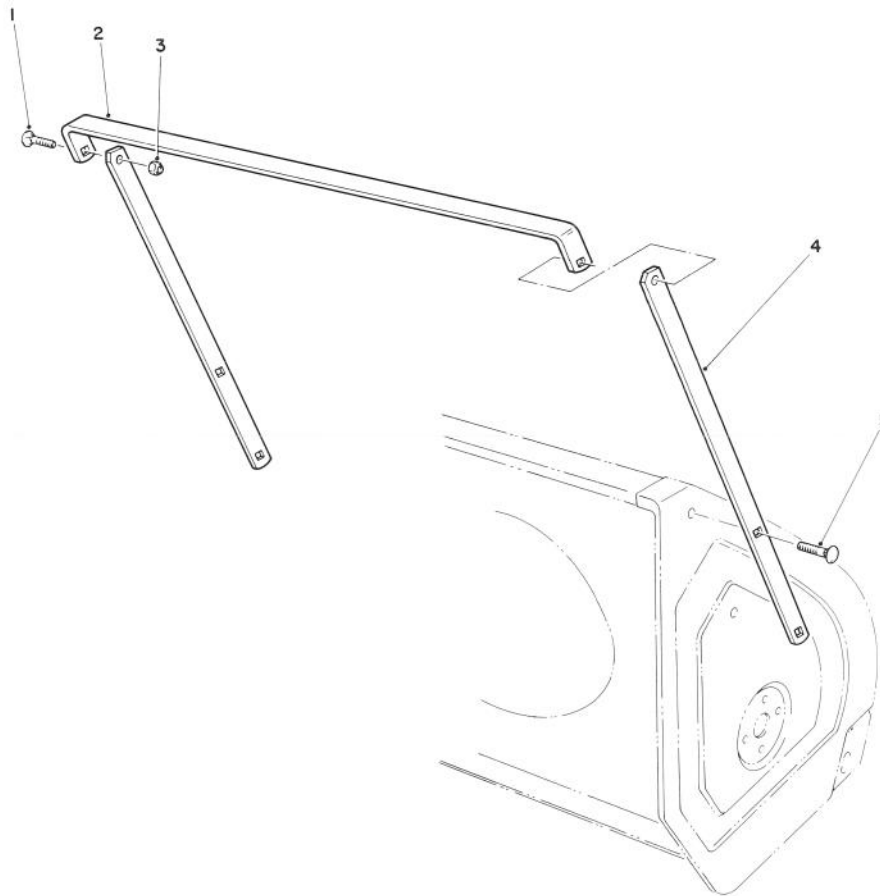
C-0056-89

## HANDLE ASSEMBLY

Ref. No.	Part No.	Description	No. Used
1	63-2170	Cover - Lever Lock	1
2	2210-250	Screw	3
3	62-0300	Tang - Locking	1
4	62-0290	Cam - Release	1
5	32151-66	Ring - Retaining	1
6	62-0280	Latch - Lock	1
7	63-2910	Spring - Torsion	1
8	62-1050	Lever - Impeller	1
9	62-1380	Handle - R.H.	1
10	66-7850	Handlegrip	2
11	62-1070	Bushing - Lever	2
12	62-1640	Lever - Trip	1
13	66-8100	Panel - Control	1
14	63-2540	Decal - Panel Top (Model No. 38520)	1
*	63-2550	Decal - Panel Top (Model No. 38525)	1
15	62-1490	Plate - Guide	1
16	63-2160	Rod - Chute Crank	1
17	62-1320	Knob - Chute Control	1
18	3290-320	Nut - Push	2
19	62-1520	Cover - Knob	1
20	62-7770	Key - Switch	1
21	40-5940	Switch - On/Off	1
22	63-3380	Spacer - Traction Lever	1

Ref. No.	Part No.	Description	No. Used
23	3296-2	Nut - Lock	1
24	62-1060	Lever - Traction	1
25	63-3050	Decal - Lever (Model No. 38520 Only)	1
26	3234-7	Screw - Hex Flange Hd.	6
27	63-2030	Rod - Cross	1
28	3290-359	Screw	1
29	66-8090	Handle - L.H.	1
30	32104-76	Screw - Self Tapping	2
31	2412-101	Clip - Wire	2
32	32104-118	Screw - Pan Hd.	2
33	32121-50	Pin - Roll	2
34	62-1460	Gear - Universal	2
35	62-1230	Washer - Rubber	1
36	63-2510	Decal - Panel Front	1
37	3296-47	Nut - Lock	4
38	3290-378	Tie - Cable	2
39	63-3460	Decal - Adjustment (Model No. 38520)	1
*	63-3470	Decal - Adjustment (Model No. 38525)	1
40	63-2720	Spring - Extension	1
41	63-2710	Cable - Traction	1
42	63-2700	Cable - Impeller	1
*	63-3430	Harness - Wire	1

\*Not Illustrated



C-0068-89

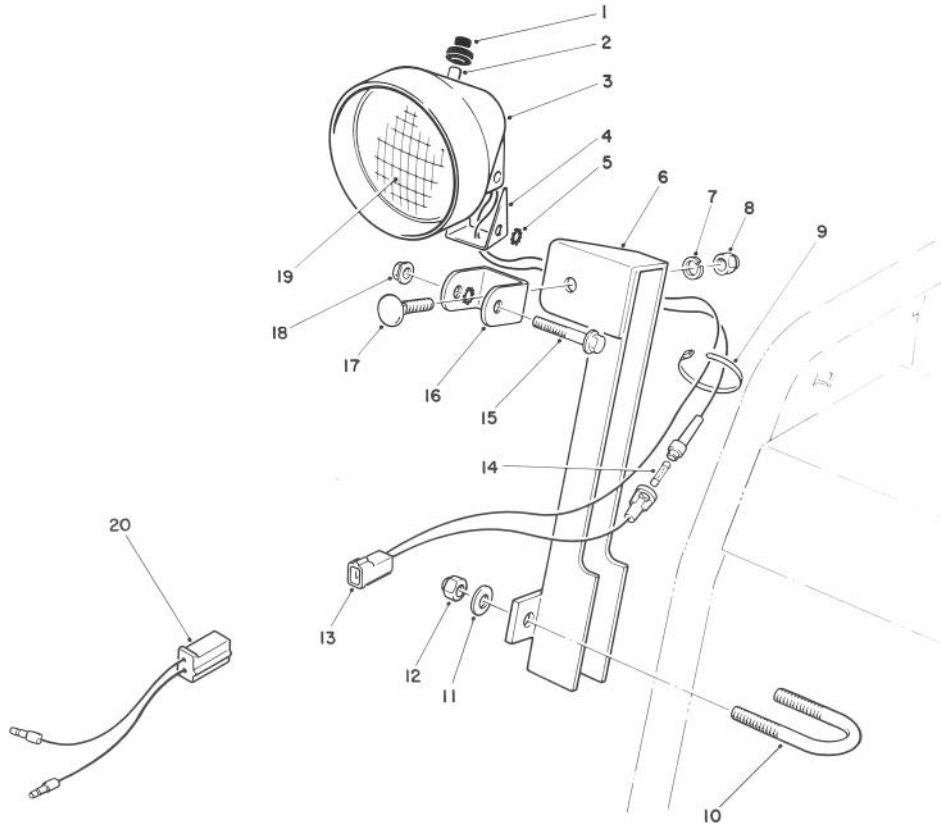
## DRIFT BREAKER ASSEMBLY (Optional)

Ref. No.	Part No.	Description	No. Used
1	3230-16	Bolt - Carriage	2
†2		Breaker - Top (28")	1
3	3296-29	Nut - Lock	6
†4		Breaker - Side	2

Ref. No.	Part No.	Description	No. Used
5	3230-1	Bolt - Carriage	4
*	66-7970	Drift Breaker Kit (Incl. Ref. #1-5)	1

\*Not Illustrated

†Items not sold separately.

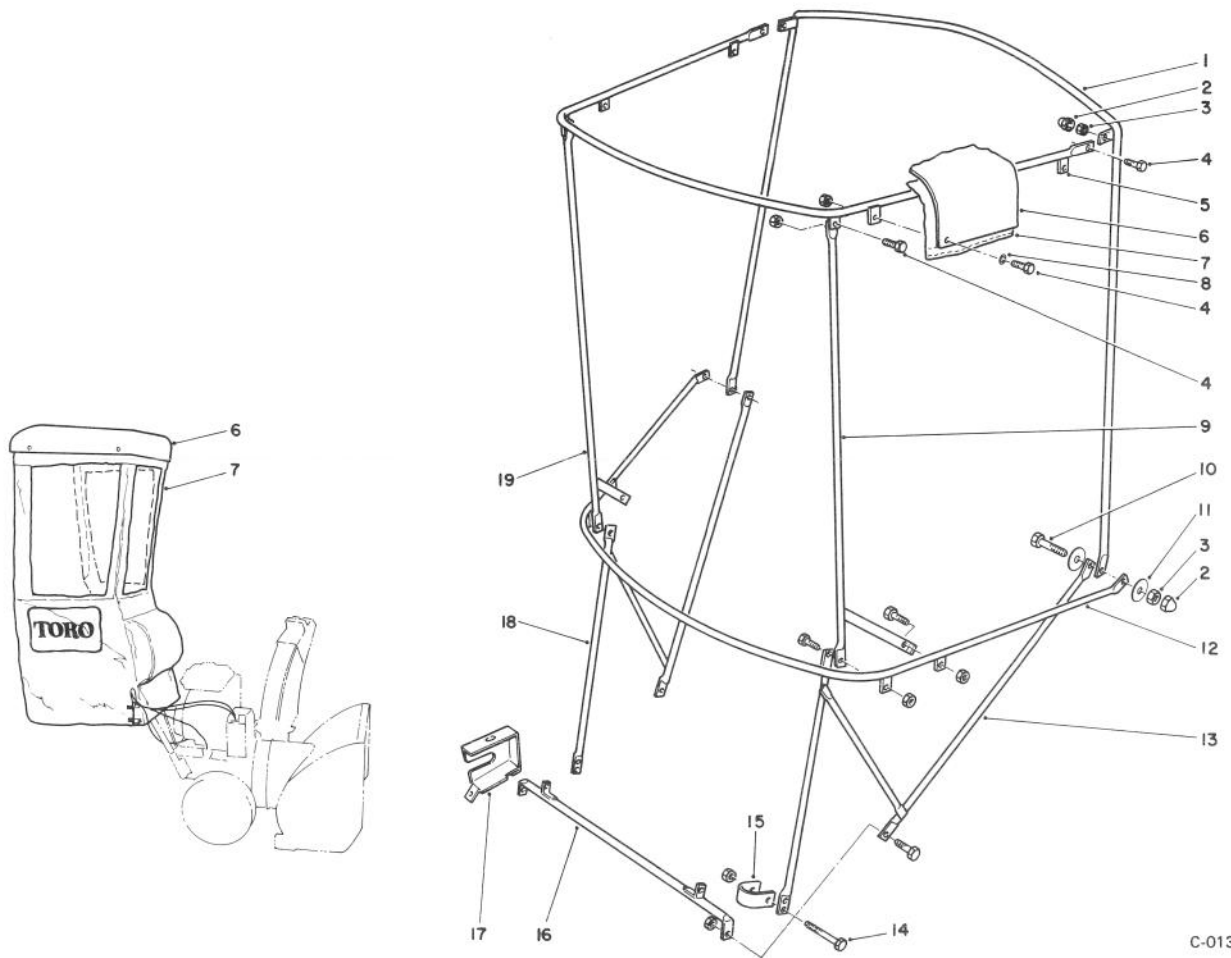


C-0072-89

## LIGHT KIT NO. 66-7950 (Optional)

Ref. No.	Part No.	Description	No. Used	Ref. No.	Part No.	Description	No. Used
1	218-473	Boot - Switch	1	12	3296-29	Nut - Lock	2
2	218-553	Switch Assembly	1	13	218-555	Wire Assembly	1
3	218-552	Bucket - Headlamp	1	†14		Fuse - 7-1/2 Amp.	1
4	218-554	Bracket	1	15	322-13	Screw - Hex. Flange Hd.	1
5	3255-8	Washer - Lock	2	16	218-556	Bracket - U	1
6	68-7110	Mount - Lamp	1	17	3231-2	Bolt - Carriage	1
7	3253-21	Washer - Lock	1	18	32128-35	Nut - Flange Lock	1
8	3217-7	Nut - Hex.	1	19	218-16	Bulb - Sealed Beam	1
9	3290-378	Tie Wrap	2	20	68-9340	Wire Assembly	1
10	68-7140	Bolt - U	1	*	54-9871	Headlamp Assembly (Incl. Ref. #1-5, 7-8 & 13-19)	1
11	3256-23	Washer - Flat	2				

\*Not Illustrated  
†Obtain Locally



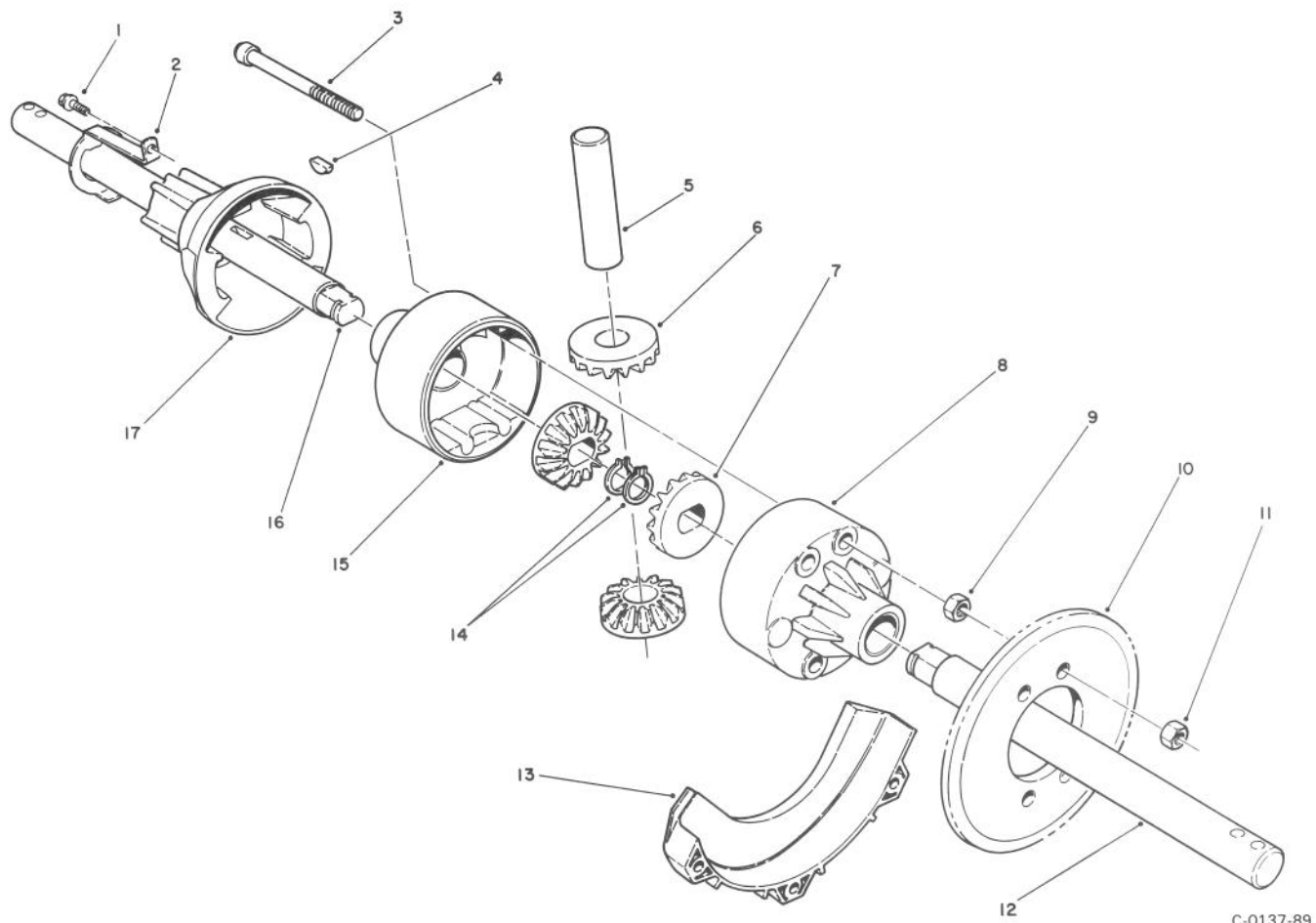
C-0138-89

## SNOW CAB ASSEMBLY NO. 68-9500 (Optional)

Ref. No.	Part No.	Description	No. Used
1	70-2260	Bow - Vertical	1
2	70-2240	Cover - Nut	4
3	32153-4	Nut - Lock	18
4	321-4	Screw - Cap Hex. Hd.	14
5	70-2250	Frame - Top	1
†6		Top - Plastic	1
†7		Cover - Vinyl	1
8	3256-1	Washer - Flat	4
9	70-2220	Post - Corner L.H.	1
10	321-6	Screw - Cap Hex. Hd.	2

Ref. No.	Part No.	Description	No. Used
11	3256-58	Washer - Fender	4
12	70-2270	Bow - Horizontal	1
13	66-6230	Bracket - Attaching L.H.	1
14	321-11	Screw - Cap Hex. Hd.	2
15	66-6240	Clamp - U	2
16	66-6210	Bracket - Base Attaching	1
17	63-3330	Cover - Lever	1
18	66-6220	Bracket - Attaching R.H.	1
19	70-2230	Post - Corner R.H.	1

†Not sold separate

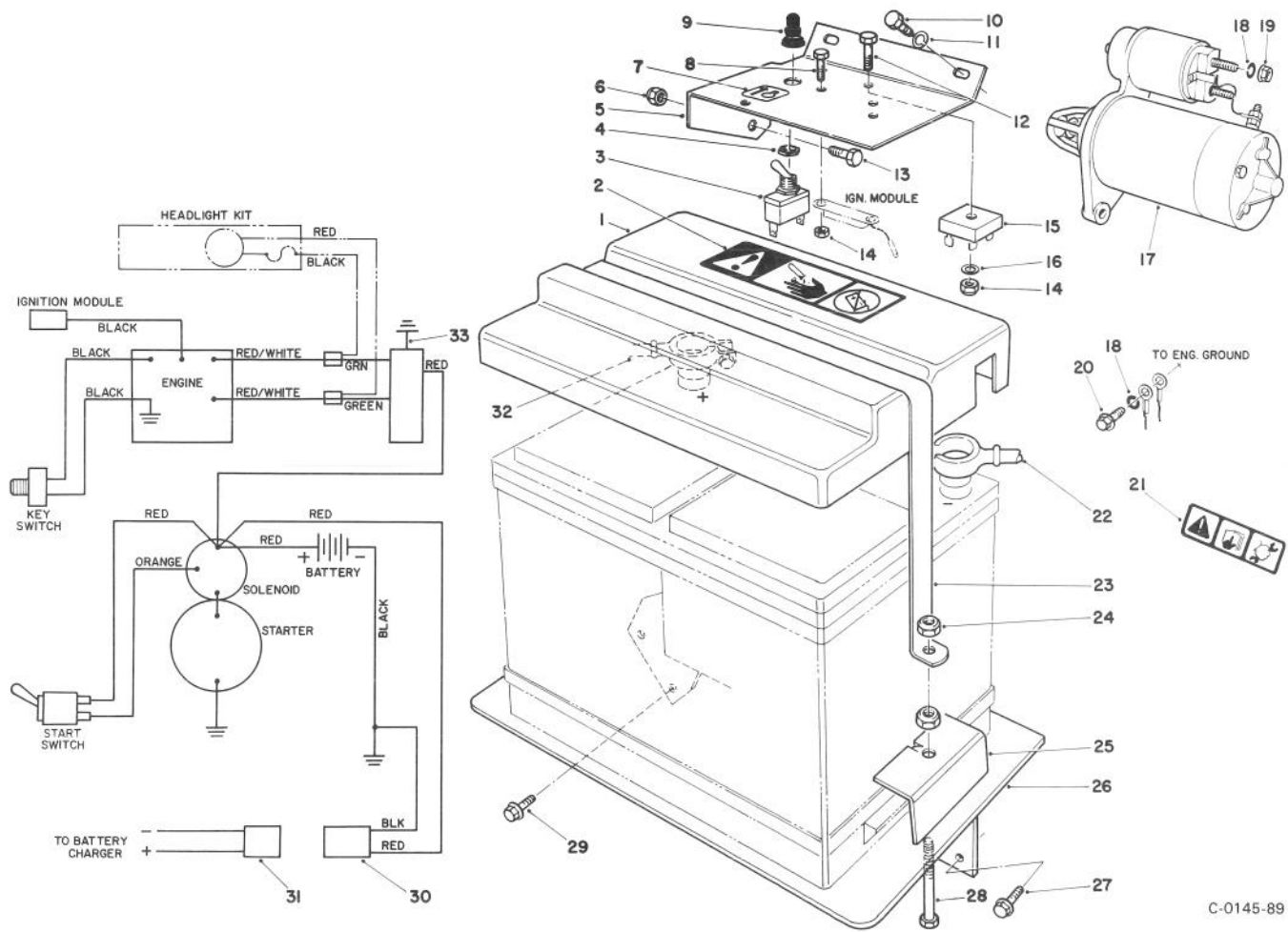


C-0137-89

## DIFFERENTIAL KIT MODEL NO. 38038 (Optional)

Ref. No.	Part No.	Description	No. Used	Ref. No.	Part No.	Description	No. Used
1	32144-73	Screw - Hex. Washer Hd.	1	11	3296-47	Nut - Lock	4
2	68-9260	Spring - Lockout	1	12	68-9230	Shaft - Differential L.H.	1
3	3274-82	Screw - Hex. Socket Hd.	4	13	68-9310	Guard - Chain R.H.	1
4	3257-41	Key - Woodruff	2	14	32120-93	Ring - Retaining	2
5		Shaft - Cross	1	15	68-9210	Housing - Male	1
6		Gear - Cross Shaft Pinion	2	16	68-9240	Shaft - Differential R.H.	1
7		Gear - Side Pinion	2	17	68-9250	Coupling - Differential	1
8	68-9220	Housing - Female	1	*	68-8410	Cover - Lower Belt	1
9	3217-6	Nut - Hex.	4	*	68-9390	Decal - Caution/Instructions	1
10	68-9271	Sprocket - 27T (Used on Models 38510, 38513, 38540 & 38543)	1	*	68-9280	Gear Set (Incl. Ref. #5-7)	1
*	68-9270	Sprocket - 32T (Used on Models 38500, 38505, 38520, 38525, 38545, 38565, 38570, 38573 & 38580)	1				

\*Not Illustrated



C-0145-89

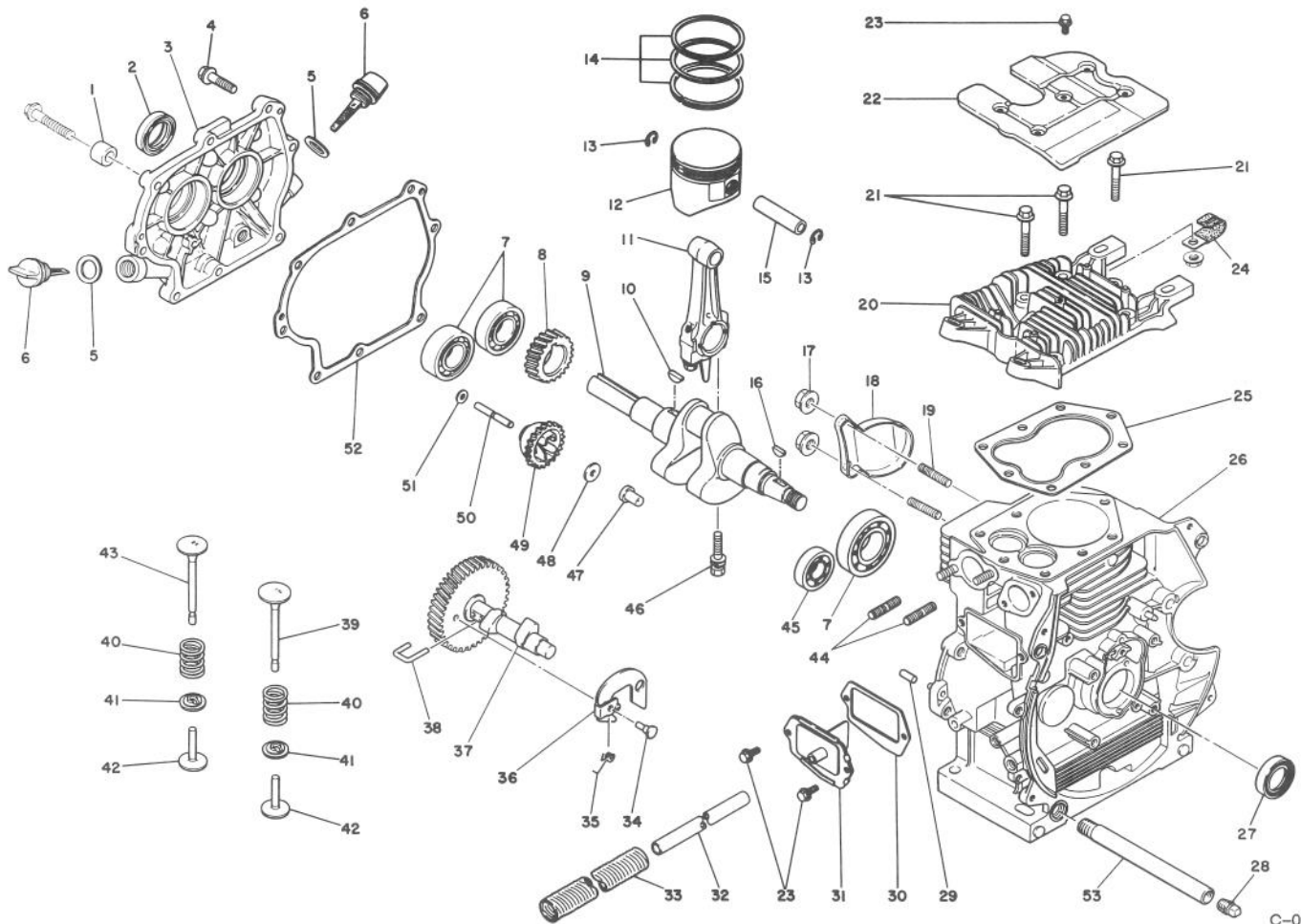
## 12 VOLT STARTER MOTOR KIT NO. 68-7250 (Optional)

Ref. No.	Part No.	Description	No. Used
1	22-8900	Cover - Battery	1
2	66-7640	Decal - Battery Cover	1
3	6-1659	Switch (Incl. Ref. #4 & 9)	1
4	218-498	Nut - Hex.	1
5	68-9360	Bracket - Mounting	1
6	81-0130	Nut - Flange Lock	1
7	68-9490	Decal - Starter Switch	1
8	32105-8	Screw - Cap Hex. Hd.	2
9	218-473	Boot - Switch	1
10	46-0050	Screw - Cap Hex. Hd.	2
11	48-8020	Washer - Lock	2
12	32105-12	Screw - Cap Hex. Hd.	1
13	46-0051	Screw - Cap Hex. Hd.	1
14	3296-2	Nut - Lock	3
15	37-7600	Rectifier	1
16	3256-51	Washer - Flat	1
17	68-9330	12 Volt Starter Motor Assy.	1
18	68-9420	Washer - Lock	2
19	68-9400	Nut - Flange Lock	1

Ref. No.	Part No.	Description	No. Used
20	68-9410	Screw - Hex. Flange Hd.	1
21	63-3470	Decal - Warning	1
22	68-9350	Cable - Battery Negative	1
23	22-8850	Strap - Battery	1
24	3296-29	Nut - Lock	4
25	22-8870	Hold-Down - Battery	2
26	66-7600	Plate - Battery Mounting	1
27	3234-17	Screw - Hex. Flange Hd.	2
28	322-11	Screw - Cap Hex. Hd.	2
29	3234-5	Screw - Hex. Flange Hd.	2
30	68-9380	Charging Wire Assembly	1
31	29-7820	Charging Adapter Wire Assy.	1
32	68-9320	Cable - Battery Positive	1
33	68-9450	Wire - Rectifier Ground	1
*†	26-7140	Charger - 220V (Europe)	1
*†	26-3870	Charger - 110V (Canada)	1
*	68-9370	Wiring Assembly	1
*	3290-378	Tie Wrap	2

\*Not Illustrated

†Item not included in kit, must be ordered separately.



C-0142-89

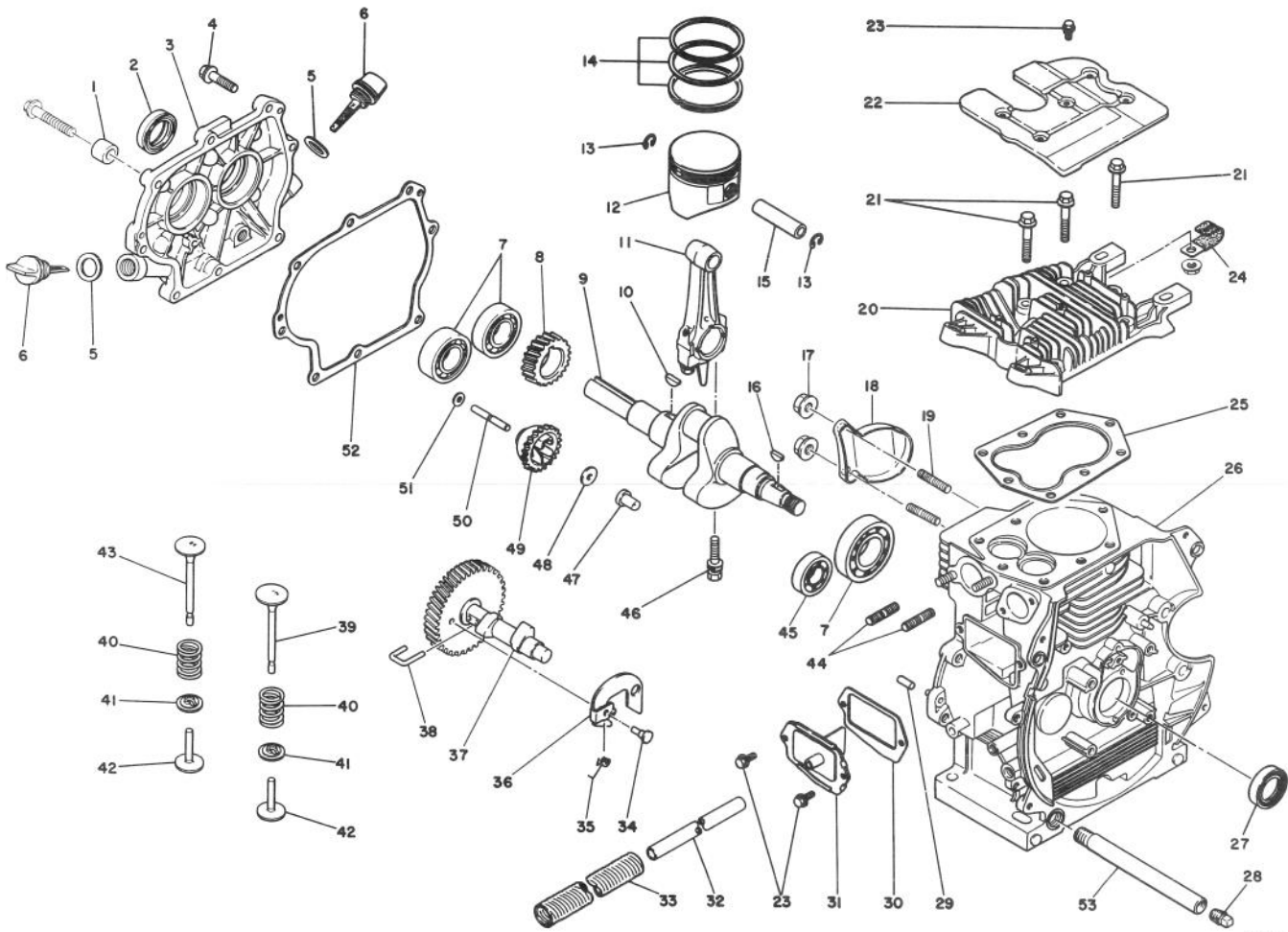
## ENGINE NO. 68-8290 CRANKCASE ASSEMBLY

Ref. No.	Part No.	Description	No. Used
1	65-2390	Spacer	1
2	65-2140	Seal - Oil	1
3	65-2150	Cover - Crankcase	1
4	65-0480	Bolt - Flange	7
5	65-0510	Gasket	2
6	65-0500	Gauge - Oil (Incl. Ref. #5)	2
7	65-0030	Bearing - Ball	3
8	65-0170	Gear - Crankshaft	1
9	65-1930	Crankshaft	1
10	65-0180	Key - Woodruff	1
11	65-2100	Connecting Rod Assembly (Std.) (Incl. Ref #46)	1
*	65-2110	Connecting Rod Assembly (US. .25) (Incl. Ref #46)	1
*	65-2120	Connecting Rod Assembly (US. .50) (Incl. Ref. #46)	1
12	65-2050	Piston Assembly (Std.) (Incl. Ref. #15)	1
13	65-2040	Clip - Piston Pin	2
14	65-1990	Piston Ring Set (Std.)	1
15	65-2130	Pin - Piston	1
16	65-0200	Key - Woodruff	1
17	65-1710	Nut - Flange Lock	2
18	71-1630	Cover	1

Ref. No.	Part No.	Description	No. Used
19	71-1880	Bolt - Stud	2
20	65-1890	Head - Cylinder	1
21	65-0130	Bolt - Head	8
22	65-0120	Cover - Head	1
23	65-0050	Bolt - Flange	3
24	65-0160	Clamp - Cable	1
†25	65-1920	Gasket - Head	1
26	71-1800	Cylinder Block Assembly (Incl. Ref. #19, 29 & 44)	1
27	65-0110	Seal - Oil	1
28	281-7	Plug - Drain	1
29	65-0080	Pin - Dowel	2
†30	65-0070	Gasket - Breather	1
31	65-0060	Breather Valve Assembly	1
32	65-0770	Tube - Breather	1
33	71-1890	Tube	1
34	65-0310	Pin	1
35	65-0300	Spring - Return	1
36	65-0290	Flyweight	1
37	65-1970	Camshaft Assembly (Incl. Ref. #34-36 & 38)	1
38	65-1980	Pin	1
39	65-1960	Valve - Intake	1
40	65-0230	Spring - Valve	2

\*Not Illustrated

†Included in Gasket Kit No. 65-2350

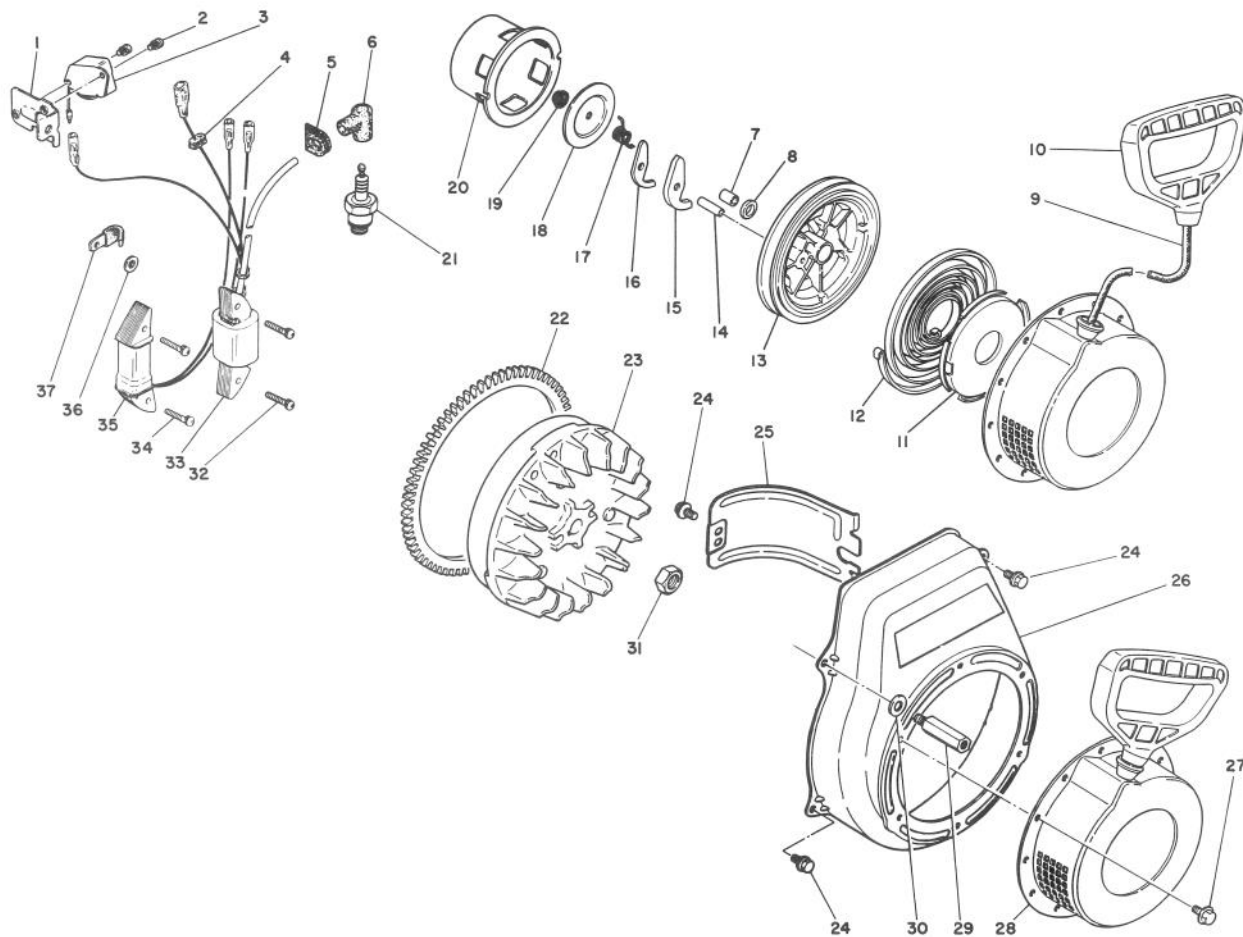


C-0142 - 89

## ENGINE NO. 68-8290 CRANKCASE ASSEMBLY (Continued)

Ref. No.	Part No.	Description	No. Used	Ref. No.	Part No.	Description	No. Used
41	65-0240	Retainer - Valve Spring	2	48	65-0580	Spacer	1
42	65-0250	Tappet - Valve	2	49	65-0560	Governor Gear Assembly (Incl. Ref. #47)	1
43	65-1950	Valve - Exhaust	1	50	65-0550	Shaft - Governor	1
44	65-0020	Bolt - Stud	2	51	65-0540	Washer	1
45	65-0040	Bearing - Ball	1	†52	65-2160	Gasket - Crankcase	1
46	65-0460	Bolt - Connecting Rod	2	53	66-6690	Nipple - Pipe	1
47	65-0570	Slider - Governor	1				

†Included in Gasket Kit No. 65-2350

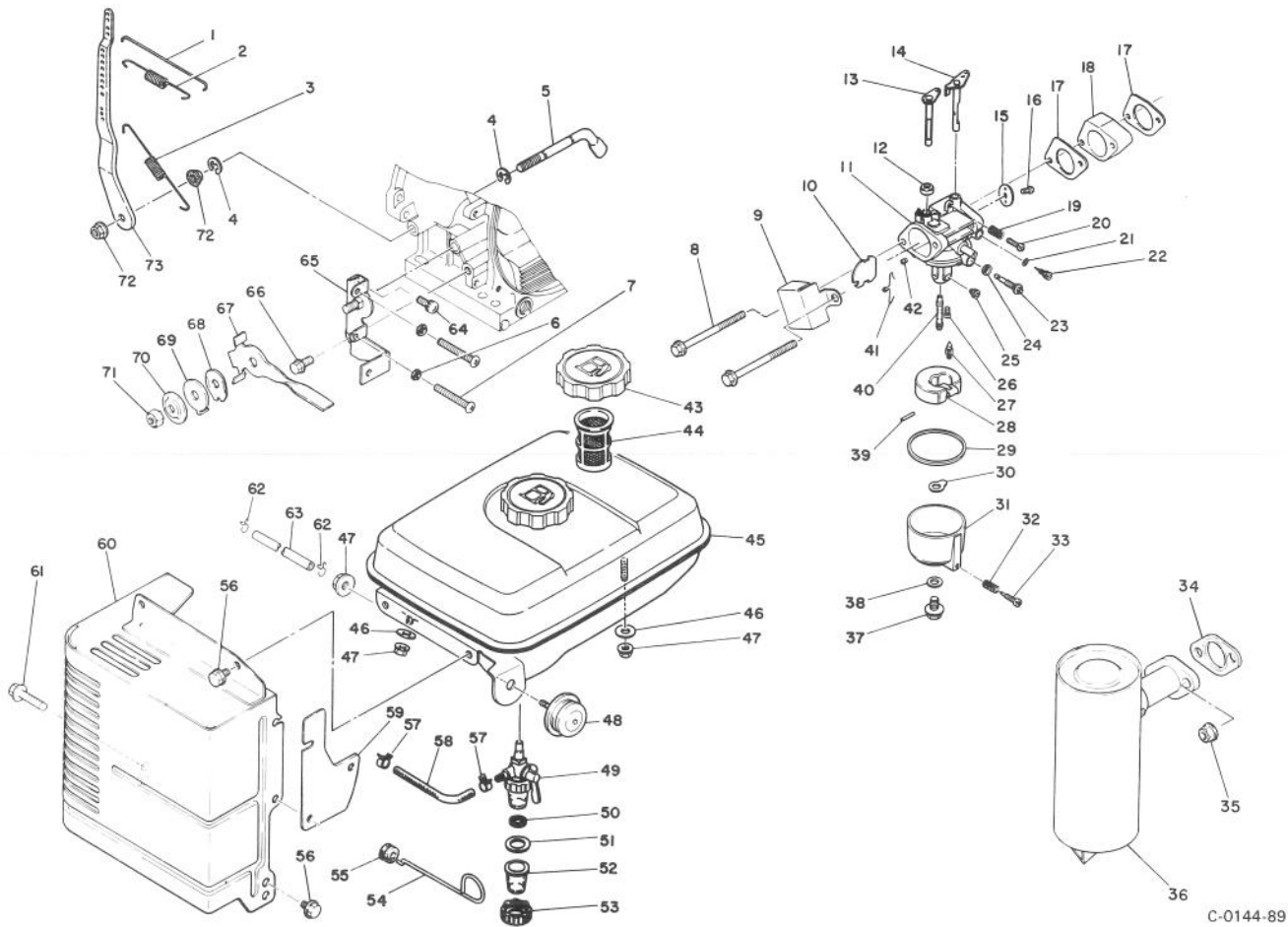


C-0143-89

## ENGINE NO. 68-8290 IGNITION ASSEMBLY

Ref. No.	Part No.	Description	No. Used
1	65-1830	Bracket - Unit	1
2	54-4610	Screw & Washer	2
3	65-2370	Unit - Ignition	1
4		Grommet	1
5	65-0630	Grommet	1
6	65-0620	Cap - Plug	1
7	65-1540	Shaft	1
8	65-1550	Washer	1
9	65-1660	Rope - Starter	1
10	65-1670	Handle - Starter	1
11	65-1650	Case	1
12	65-1640	Spring - Spiral	1
13	65-1630	Reel	1
14	65-1620	Pin	1
15	65-1610	Ratchet	1
16	65-1600	Ratchet	1
17	65-1590	Spring - Friction	1
18	65-1580	Plate - Friction	1
19	65-1570	Nut - Flange	1

Ref. No.	Part No.	Description	No. Used
20	65-1560	Pulley - Starter	1
21	65-0640	Plug - Spark	1
22	65-2360	Gear - Ring	1
23	65-2180	Flywheel	1
24	65-0050	Bolt - Flange	4
25	65-0750	Baffle - Cylinder	1
26	71-1770	Cover - Fan	1
27	65-0840	Bolt - Flange	3
28	65-1530	Recoil Starter Assembly (Incl. Ref. #7-20)	1
29	65-1880	Bolt - Shoulder	1
30	65-0540	Washer	1
31	65-2200	Nut	1
32	65-0710	Screw & Washer	2
33	65-2380	Coil - Ignition (Incl. Ref. #4)	1
34	54-5760	Screw & Washer	2
35	65-2400	Coil - Lighting	1
36	65-0730	Nut - Push	1
37	65-0740	Clamp - Cable	1



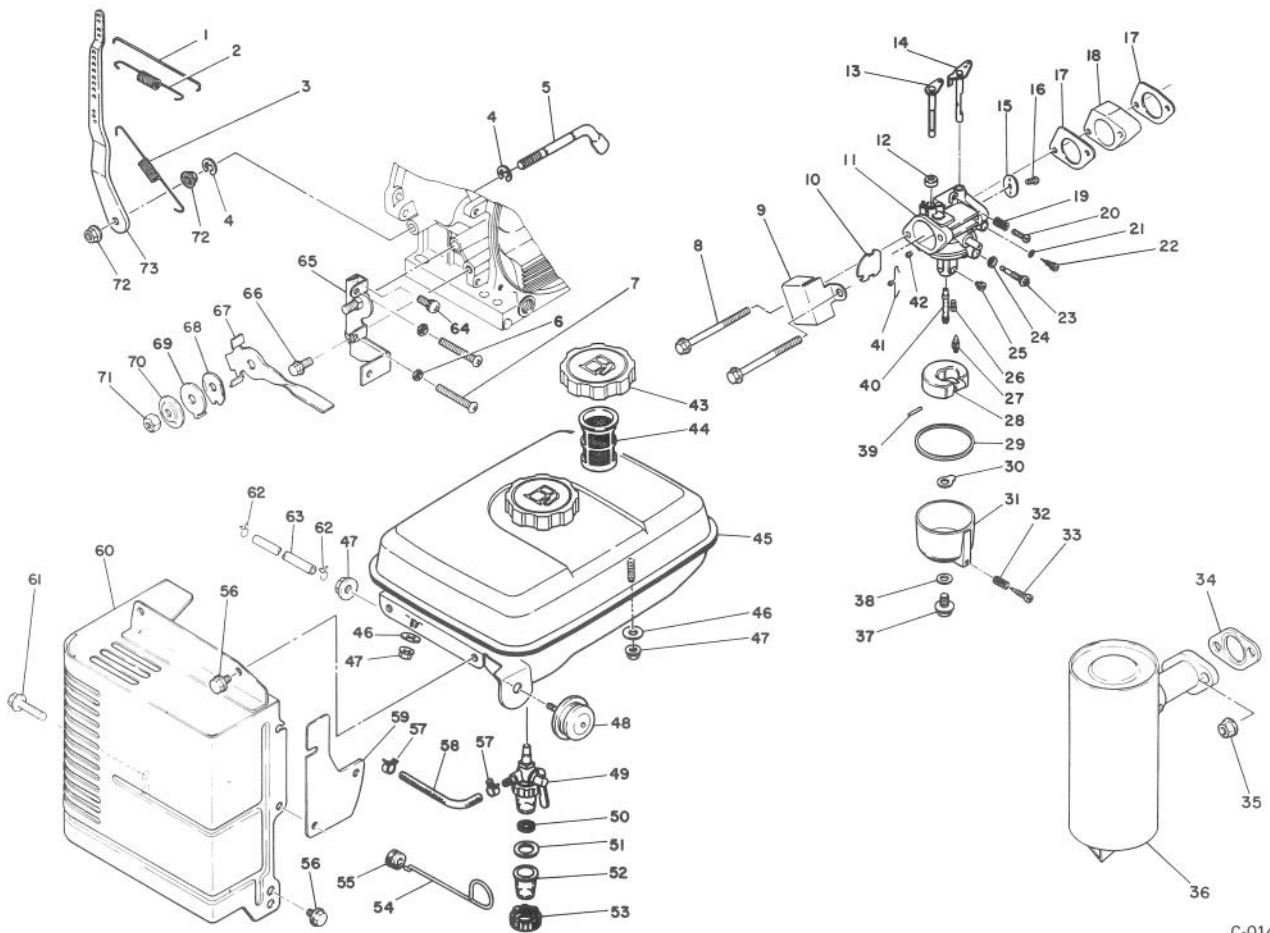
C-0144-89

## ENGINE NO. 68-8290 FUEL SYSTEM & MUFFLER

Ref. No.	Part No.	Description	No. Used
1	65-0870	Rod - Governor	1
2	65-0880	Spring - Rod	1
3	71-1760	Spring - Governor	1
4	65-0860	Ring - Snap	2
5	65-0850	Shaft - Governor	1
6	65-1010	Nut	2
7	65-1020	Screw - Machine Pan Hd.	2
8	65-1370	Bolt - Flange	2
9	65-1380	Cover	1
10	71-1840	Valve - Choke	1
11	71-1810	Carburetor Assembly (Incl. Ref. #10-16, 19-33 & 37-42)	1
12	65-1250	Cap	1
13	71-1670	Shaft - Choke	1
14	65-2220	Shaft - Throttle	1
15	65-2230	Valve - Throttle	1
16	65-1130	Screw - Throttle Valve	2
†17	65-1080	Gasket - Carburetor	2
18	71-1650	Insulator - Carburetor	1
19	65-1140	Spring - Idle Stop	1
20	65-1150	Screw - Idle Stop	1
21	65-1170	Seal - O-Ring	1

Ref. No.	Part No.	Description	No. Used
22	65-2470	Valve - Needle (Incl. Ref. #21)	1
23	65-2260	Jet - Slow	1
24	65-1190	Gasket	1
25	65-2280	Jet - Main	1
26	65-1210	Screw	1
27	65-1290	Valve	1
28	65-1300	Float	1
29	65-2300	Gasket - Float Bowl	1
30	65-1330	Gasket	1
31	65-1340	Bowl - Float (Incl. Ref. #32 & 33)	1
32	65-1220	Spring	1
33	65-1230	Screw	1
†34	65-2330	Gasket - Exhaust	1
35	54-4670	Nut - Flange Lock	2
36	71-1690	Muffler Assembly	1
37	65-2310	Plug - Float Bowl	1
38	65-1350	Gasket - Plug	1
39	65-1310	Pin - Float	1
40	65-2290	Nozzle - Main	1
41	65-1260	Clip	1

†Included in Gasket Kit No. 65-2350



C-0144-89

## ENGINE NO. 68-8290 FUEL SYSTEM & MUFFLER (Cont.)

Ref. No.	Part No.	Description	No. Used
42	65-2320	Breather	1
43	65-1680	Cap - Fuel Tank	1
44	65-1690	Filter - Fuel	1
45	71-1820	Fuel Tank Assembly (Incl. Ref. #43, 44 & 46)	1
46	65-1700	Gasket	4
47	65-1710	Nut - Flange	5
48	65-2440	Primer Pump Assembly	1
49	71-1720	Petcock - Fuel (Incl. Ref. #50-53)	1
50	65-1770	Screen	1
51	65-1780	Gasket	1
52	65-1790	Cup	1
53	65-1800	Nut	1
54	71-1750	Rod - Choke	1
55	65-1430	Grommet	1
56	65-0050	Bolt - Flange	5

Ref. No.	Part No.	Description	No. Used
57	65-1720	Clip - Fuel Tube	2
58	71-1710	Tube - Fuel	1
59	65-2450	Cover - Engine	1
60	71-1830	Cover - Engine	1
61	65-2460	Bolt - Flange	1
62	71-1730	Clamp - Fuel Hose	2
63	71-1740	Hose - Fuel	1
64	65-2430	Screw & Washer	1
65	65-2420	Bracket	1
66	65-0990	Bolt - Flange	1
67	71-1640	Lever - Control	1
68	65-0800	Spring - Leaf	1
69	65-0810	Washer - Lock	1
70	65-0820	Washer	1
71	65-0830	Nut - Lock	1
72	65-0890	Nut - Flange	2
73	65-0910	Lever - Governor	1

