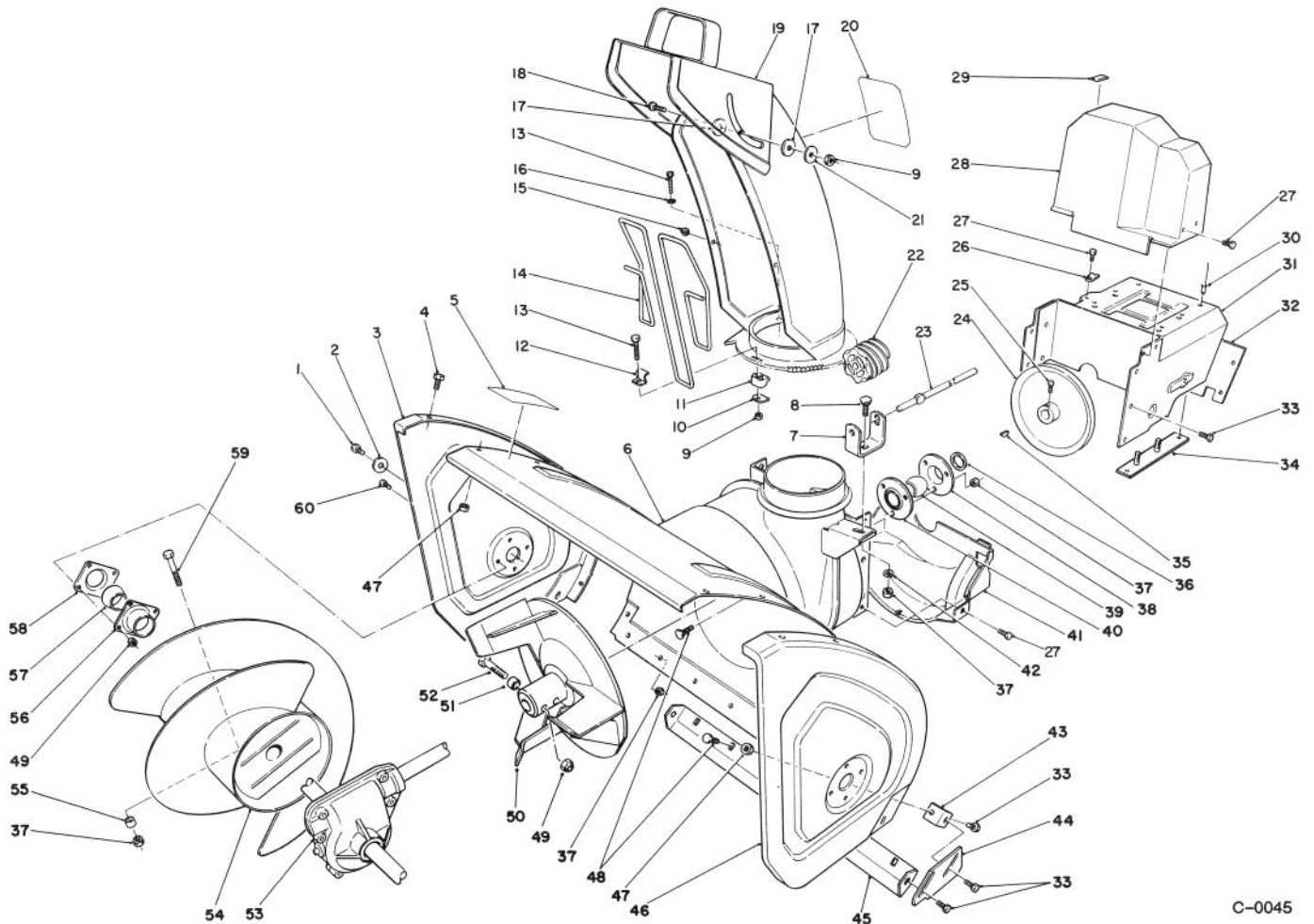




MODEL NO. 38573-9000001 & UP

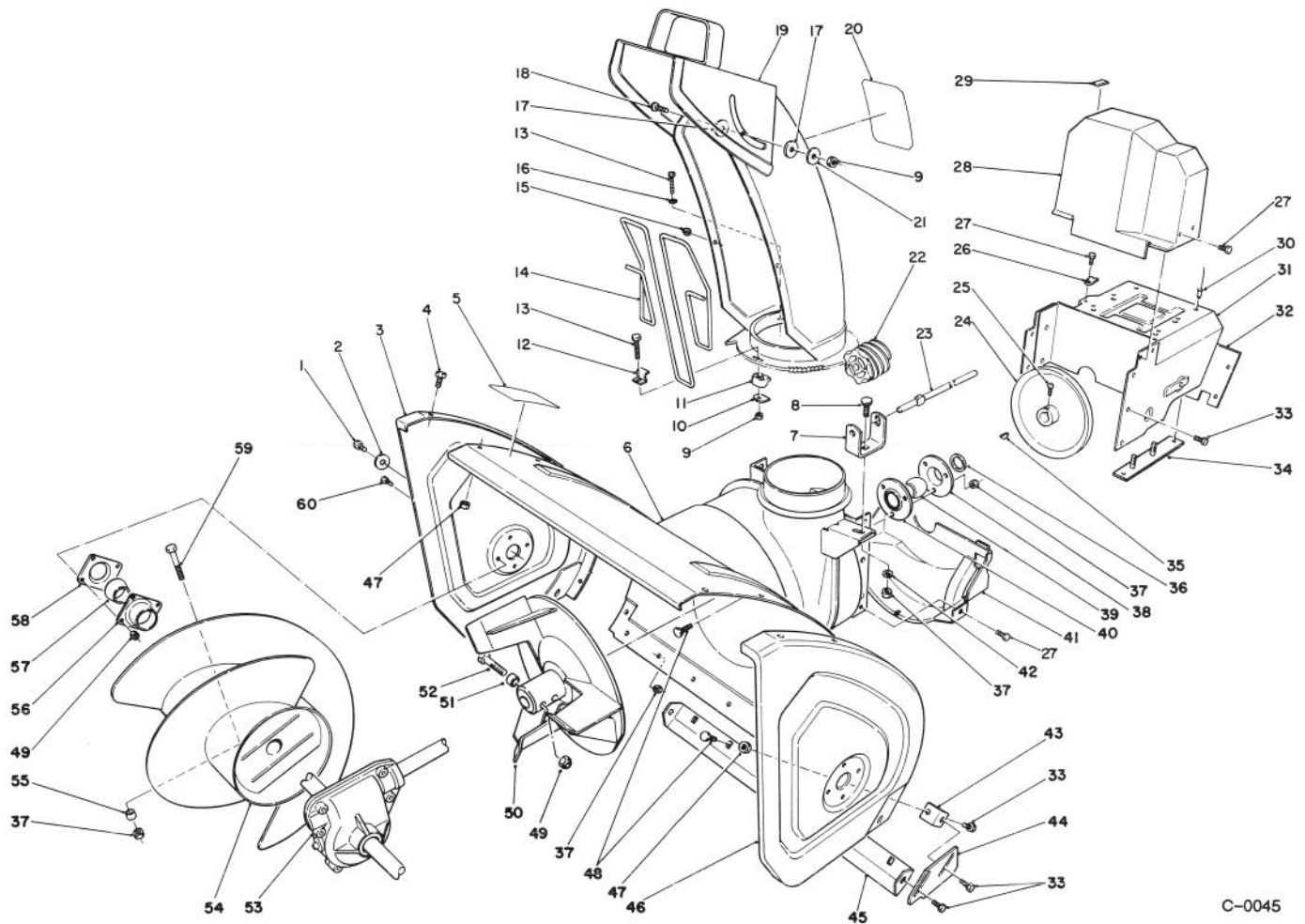
**PARTS
CATALOG**
828 SNOWTHROWER


C-0045

HOUSING & CHUTE ASSEMBLY

Ref. No.	Part No.	Description	No. Used
1	323-6	Screw - Cap Hex Hd.	2
2	3-0750	Washer - Retaining	2
3	66-7820	Plate - Side R.H.	1
4	3234-28	Screw - Hex Flange Hd.	10
5	53-7670	Decal - Danger Auger	1
6	62-0721	Housing - 28"	1
7	63-2180	Bracket - Gear	1
8	3230-2	Bolt - Carriage	1
9	3296-2	Nut - Lock	4
10	63-2670	Plate - Chute Retainer	3
11	62-1430	Retainer - Chute	3
12	63-3130	Bracket - Chute Guard	1
13	3274-13	Screw - Machine	3
14	63-3020	Guard - Chute	1
15	3290-326	Nut - Push	2

Ref. No.	Part No.	Description	No. Used
16	3256-14	Washer - Flat	1
17	63-2900	Washer - Plastic	2
18	32122-32	Screw	1
19	62-0840	Chute Assembly	1
20	53-7660	Decal - Danger Chute	1
21	3256-61	Washer - Flat	1
22	62-0820	Gear - Worm	1
23	62-1720	Rod - Chute Gear	1
24	62-1300	Pulley - Impeller	1
25	3242-4	Screw - Set Sq. Hd.	2
26	63-2300	Retainer - Cable	1
27	32144-4	Screw - Hex Flange Hd.	6
28	63-2080	Cover - Belt (Upper)	1
29	63-3290	Cover - Cable	1
30	3269-23	Rivet	4



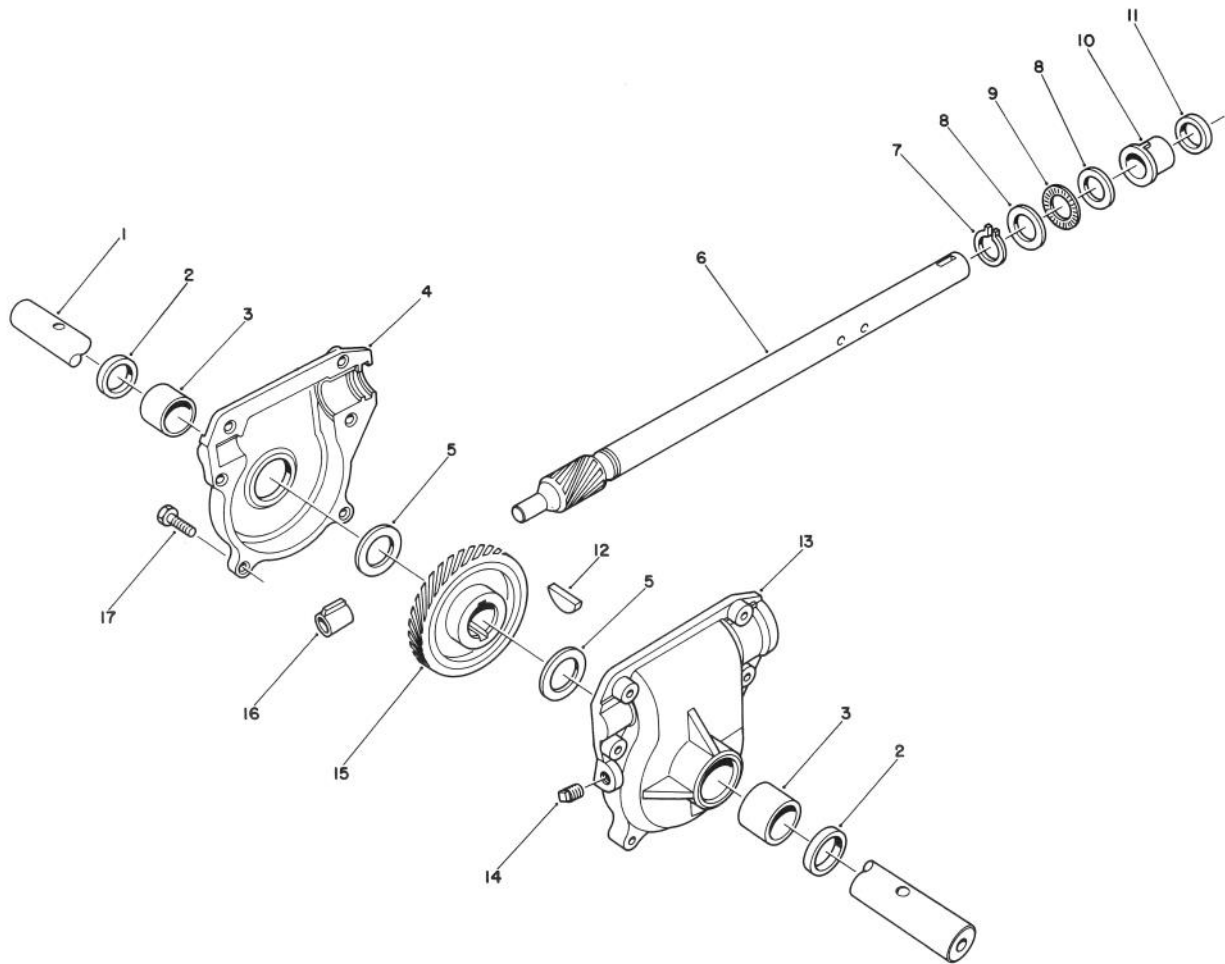
C-0045

HOUSING & CHUTE ASSEMBLY (Continued)

Ref. No.	Part No.	Description	No. Used
31	66-7780	Frame - Engine	1
32	62-1440	Cover - Engine Frame	1
33	3234-7	Screw - Hex. Washer Hd.	12
34	68-4110	Plate - Engine Stud L.H.	1
*	68-4100	Plate - Engine Stud R.H.	1
35	3257-23	Key - Woodruff	1
36	252-80	Washer - Thrust	1
37	3296-29	Nut - Lock	13
38		Flange - Bearing (Rear)	1
39	63-3450	Bearing - Impeller	1
40		Flange - Bearing (Front)	1
41	62-1400	Cover - Belt (Lower)	1
42	3256-23	Washer - Flat	1
43	62-1240	Bracket - Skid	2
44	62-0980	Plate - Skid L.H.	1
*	62-0990	Plate - Skid R.H.	1
45	66-7761	Blade - Scraper	1
46	66-7830	Plate - Side L.H.	1

Ref. No.	Part No.	Description	No. Used
47	3296-47	Nut - Lock	12
48	3230-23	Screw - Carriage	10
49	3296-42	Nut - Lock	10
50	66-7920	Impeller	1
51	66-8010	Spacer	2
52	321-44	Screw - Cap Hex. Hd.	2
53	66-8021	Auger Gearbox Assembly	1
54	68-7451	Auger - R.H.	1
*	68-7461	Auger - L.H.	1
55	25-5090	Spacer - Auger Hub	2
56	20-0990	Flange - Bearing (Inner)	2
57	20-0980	Bearing - Auger	2
58	20-1000	Flange - Bearing (Outer)	2
59	17-7030	Bolt - Auger	2
60	321-3	Screw - Cap Hex Hd.	8
*	12-8789	Impeller Bearing Assembly (Incl. Ref. #38-40)	1

*Not Illustrated

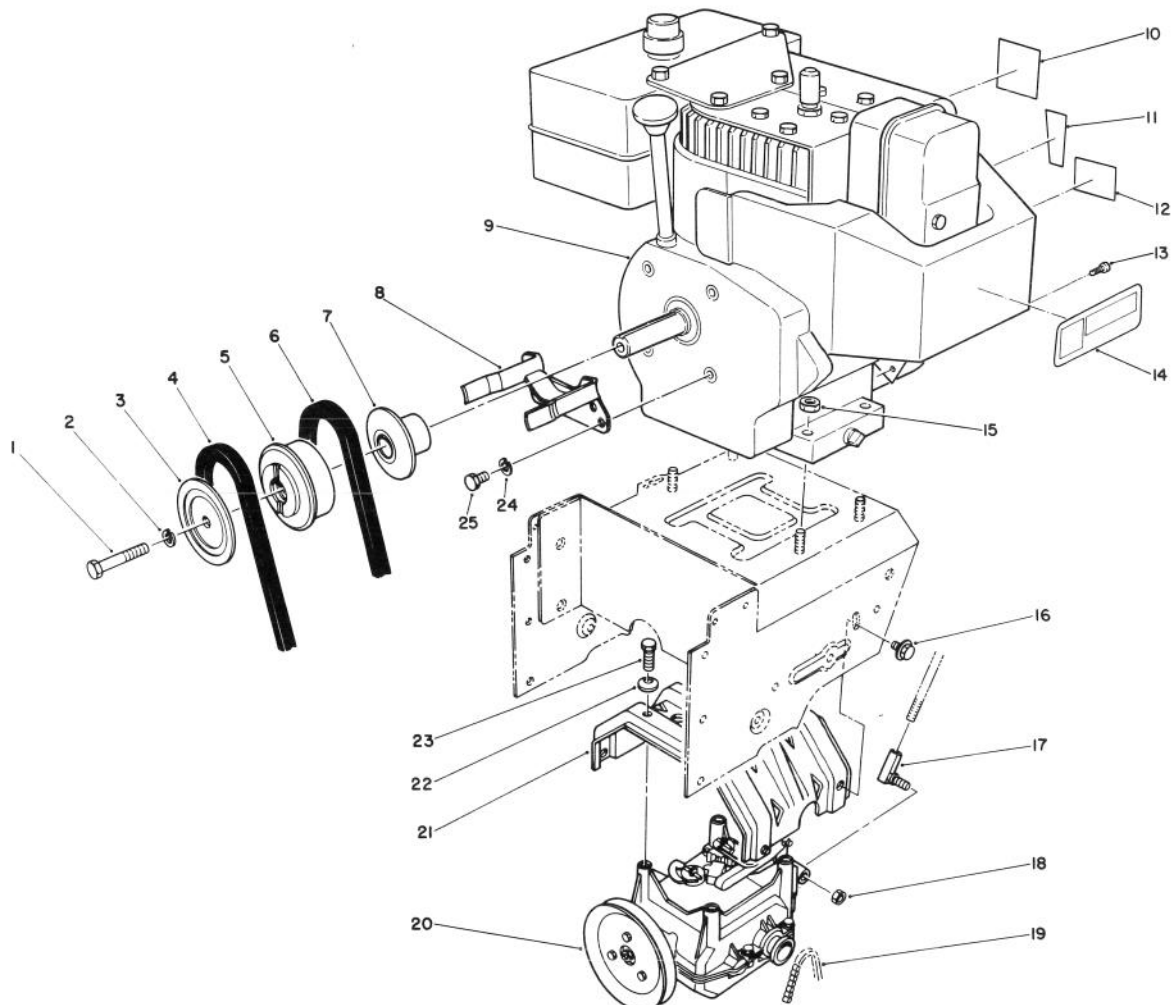


C-0046

28" AUGER GEARCASE ASSEMBLY NO. 66-8021

Ref. No.	Part No.	Description	No. Used
1	62-1531	Shaft - Auger (28")	1
2	7-0045	Seal - Oil	2
3	256-237	Bushing - Sleeve	2
4	62-0570	Gearcase Assembly - R.H. (Incl. Ref. # 2-3)	2
5	252-71	Bearing - Thrust	2
6	66-7810	Shaft - Impeller	1
7	32151-33	Ring - Snap	1
8	252-78	Washer - Thrust	2
9	252-76	Bearing - Thrust	1

Ref. No.	Part No.	Description	No. Used
10	37-6560	Bushing - Input	1
11	253-149	Seal - Input	1
12	3257-10	Key - Woodruff	1
13	62-0580	Gearcase Assembly - L.H. (Incl. Ref. # 2-3)	1
14	281-1	Plug - Pipe Sq. Hd.	1
15	62-0120	Gear - Helical	1
16	62-1150	Bushing - Worm	1
17	32144-86	Screw - Hex Washer Hd.	6



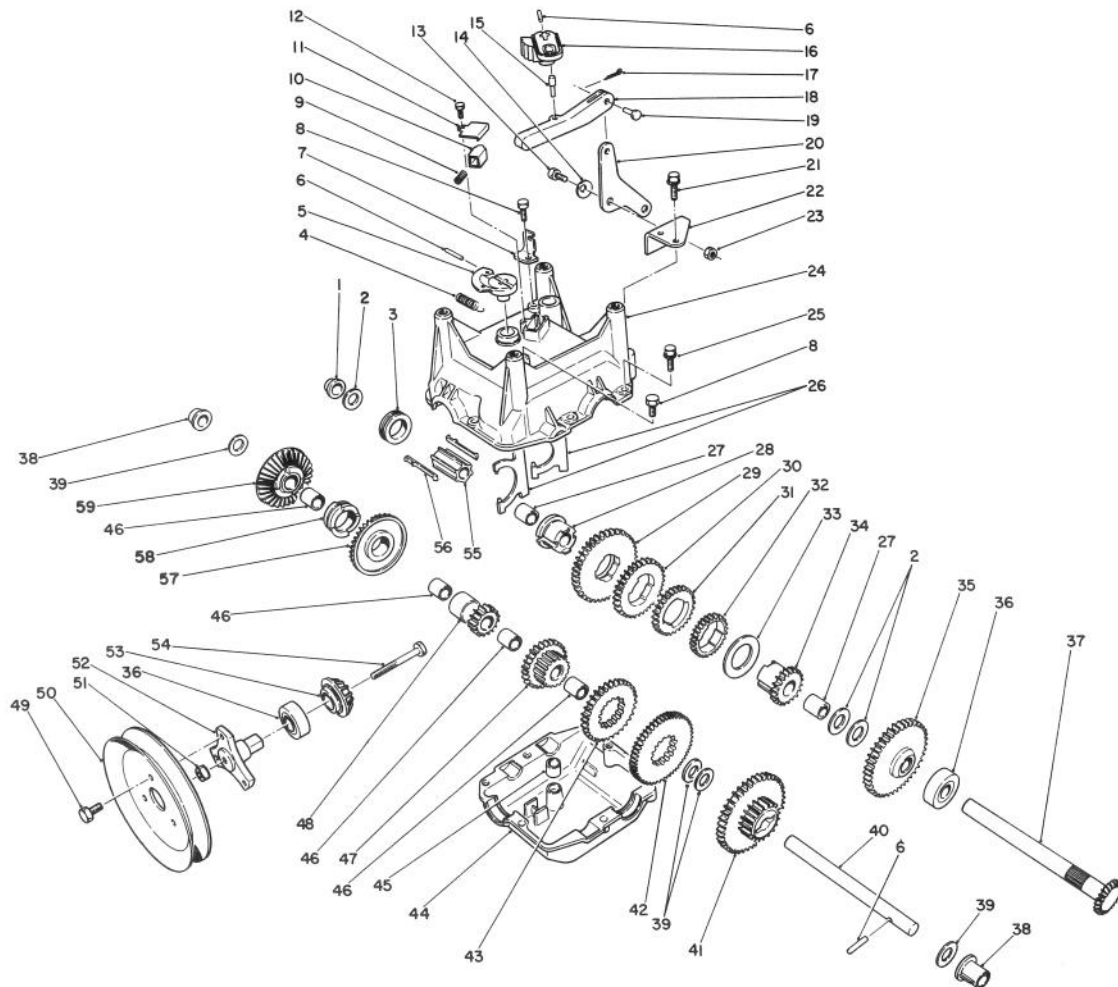
C-0048

ENGINE ASSEMBLY

Ref. No.	Part No.	Description	No. Used
1	3212-8	Screw - Cap Hex. Hd.	1
2	3253-6	Washer - Lock	1
3	62-0940	Sheave Half - Impeller	1
4	63-2962	Belt - Impeller	1
5	62-0930	Hub - Sheave	1
6	63-2951	Belt - Traction	1
7	62-0920	Sheave Half - Traction	1
8	68-7510	Guide - Belt	1
†9		Engine - Tecumseh Model No. HM80-155337N	1
10	62-5760	Decal - Primer	1
11	63-3190	Decal - Throttle	1
12	63-2410	Decal - Choke	1

Ref. No.	Part No.	Description	No. Used
13	32144-4	Screw - Wire Harness	1
14	63-2310	Decal - Hot Surface	1
15	32128-20	Nut - Lock	4
16	3234-7	Screw - Hex Flange Hd.	4
17	63-2640	Joint- Ball	1
18	3296-39	Nut - Lock	1
19	63-2930	Chain - Drive	1
20	66-8030	Transmission Assembly	1
21	63-2990	Frame - Transmission	1
22	3290-461	Washer - Belleville	4
23	11-0590	Screw - Cap Hex Hd.	4
24	3253-4	Washer - Lock	2
25	3210-1	Screw - Cap Hex Hd.	2

†Obtain from your local Tecumseh Dealer.

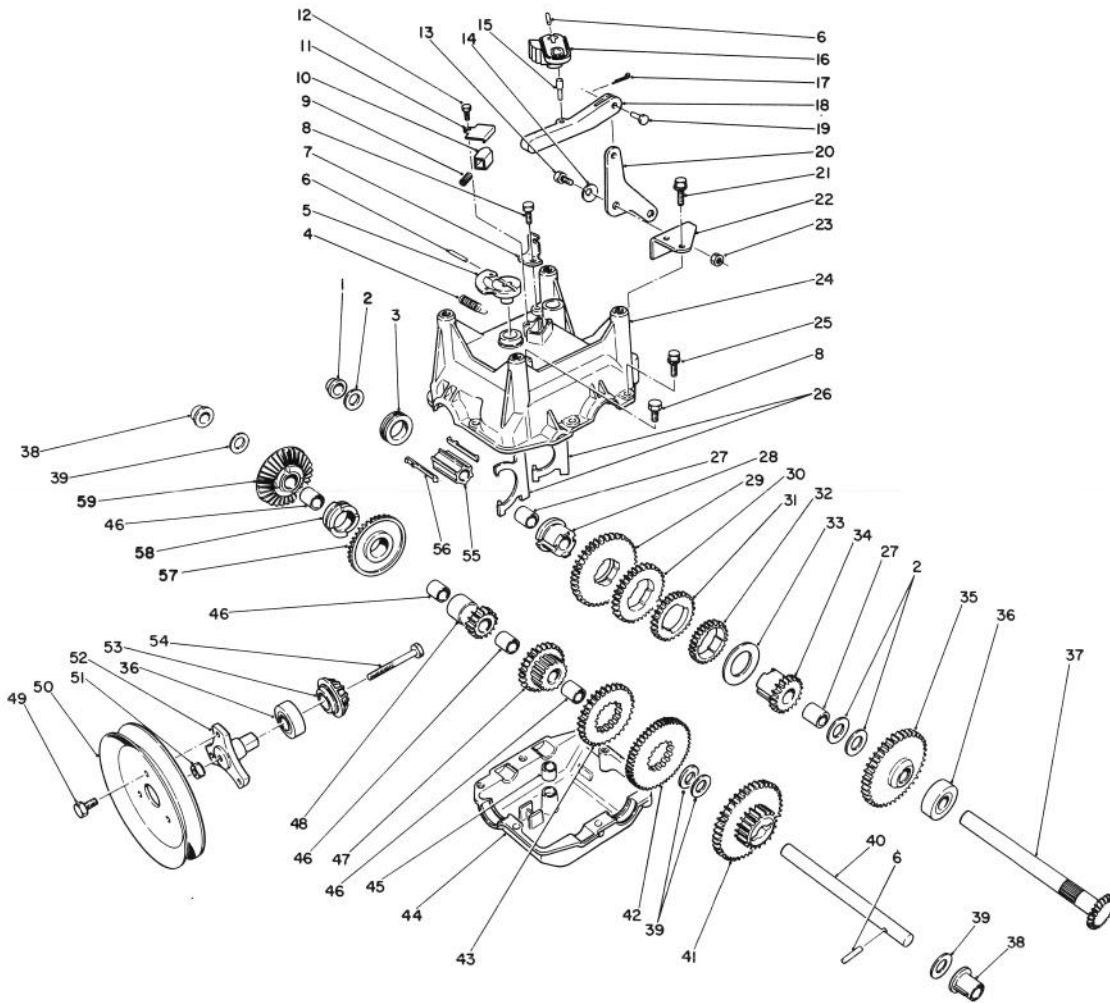


C-0052

TRANSMISSION ASSEMBLY NO. 66-8030

Ref. No.	Part No.	Description	No. Used
1	62-1180	Bushing - Output (Flange)	1
2	252-59	Washer - Thrust	3
3	62-0430	Collar - Shift (Speed)	1
4	63-2920	Spring - Extension (F/R Return)	1
5	62-0880	Lever - Direction Shift	1
6	32121-106	Pin - Coil	3
7	62-1740	Bracket - Cable	1
8	32144-4	Screw - Self Tapping	2
9	63-2890	Spring - Compression (Detent)	1
10	62-1020	Button - Detent	1
11	62-1690	Cover - Detent	1
12	32104-71	Screw - Pan Hd.	1
13	63-3410	Bolt - Shoulder	1
14	3290-477	Washer - Curved	1
15	63-2190	Pin - Gearshift Link	1
16	62-0870	Lever - Gear Shift	1
17	3272-1	Pin - Cotter	1
18	62-0860	Link - Gearshift	1
19	283-3	Pin - Clevis	1
20	63-2600	Bellcrank	1
21	32104-95	Screw - Hex Washer Hd.	2

Ref. No.	Part No.	Description	No. Used
22	62-1190	Bracket - Bellcrank	1
23	3296-42	Nut - Lock	1
24	62-0490	Gear Case - Upper	1
25	32144-86	Screw - Hex Washer Hd.	6
26	62-1040	Yoke-Shift	2
27	62-1350	Bushing - Output	2
28	62-0320	Sleeve	1
29	62-0240	Gear - 45T	1
30	62-0220	Gear - 34T	1
31	62-0200	Gear - 27T	1
32	62-0250	Gear - 29T	1
33	63-2280	Washer - Thrust	1
34	62-0340	Sleeve - Gear 19T	1
35	62-0370	Gear - 41T	1
36	38-7820	Bearing - Ball	2
37	62-1080	Shaft - Output	1
38	62-1170	Bushing - Flange	2
39	257-10	Washer - Thrust	4
40	62-0330	Shaft - Intermediate	1
41	62-0360	Gear - Compound 19T/41T	1
42	62-0260	Gear - 51T	1
43	62-0210	Gear - 33T	1
44	62-0480	Gear Case - Lower	1

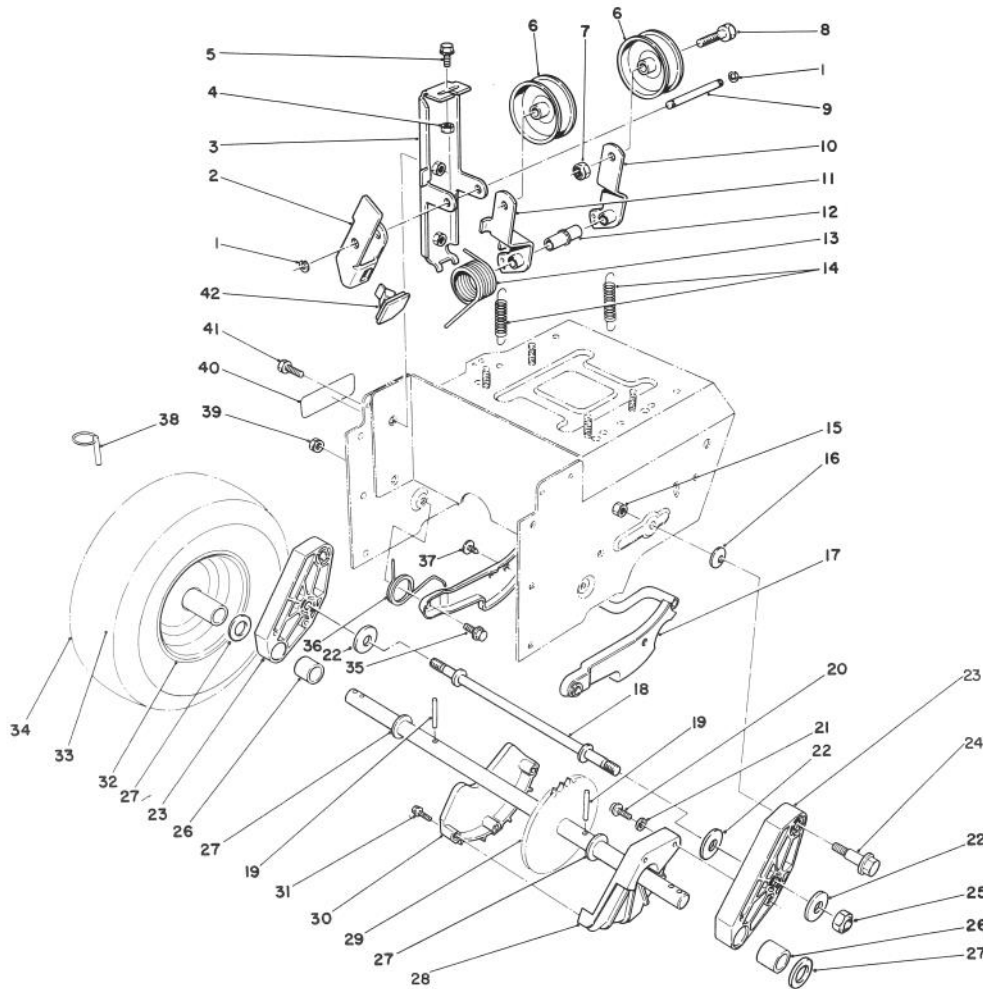


C-0052

TRANSMISSION ASSEMBLY NO. 66-8030 (Continued)

Ref. No.	Part No.	Description	No. Used
45	29-9570	Bushing - Yoke	1
46	62-1160	Bushing - Intermediate	4
47	68-4310	Gear - 26T	1
48	62-0500	Gear - 15T	1
49	12-3270	Screw	3
50	62-1310	Pulley - Traction	1
51	32128-32	Nut - Flange Lock	1
52	62-0380	Hub - Pulley	1

Ref. No.	Part No.	Description	No. Used
53	62-0350	Pinion - Bevel 19T	1
54	321-15	Screw - Cap Hex Hd.	1
55	68-4320	Sleeve - Shift	1
56	62-0310	Key - Shift	2
57	67-5870	Gear - Bevel 36T	1
58	67-5880	Collar - Shift	1
59	67-5860	Gear - Bevel Reverse 36T	1

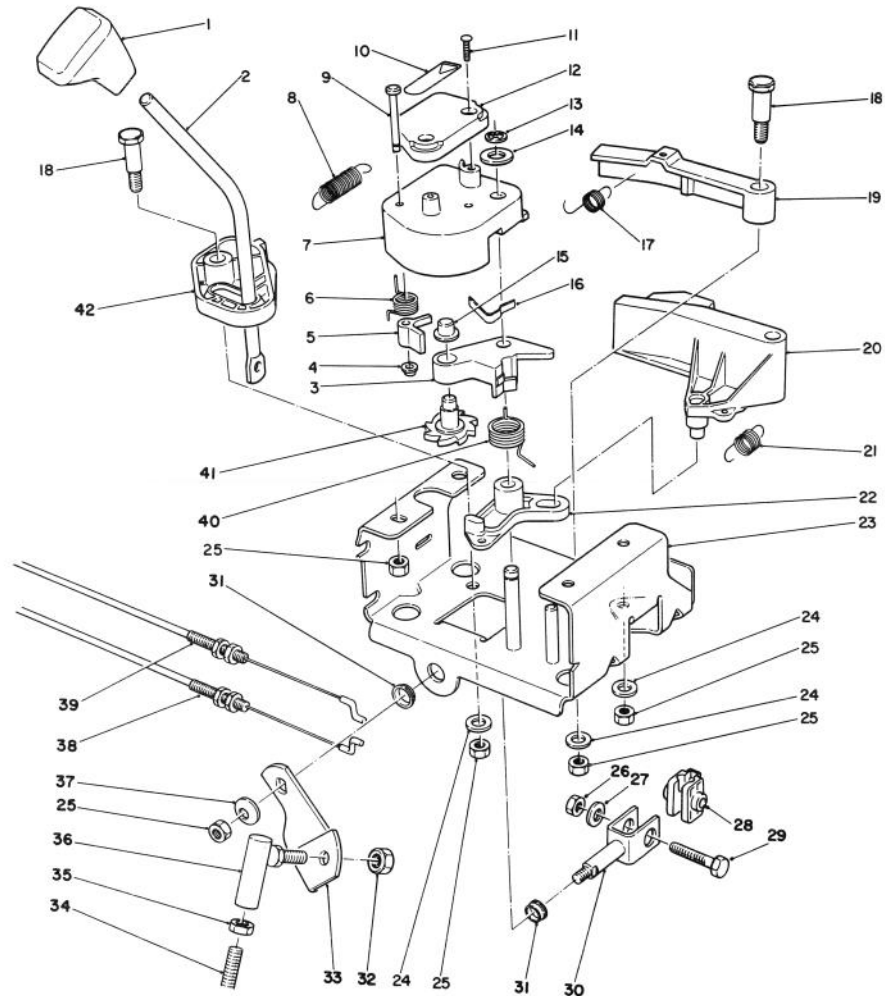


C-0053

TRACTION DRIVE ASSEMBLY

Ref. No.	Part No.	Description	No. Used	Ref. No.	Part No.	Description	No. Used
1	32120-46	Ring - Retaining	2	23	66-7740	Pivot Arm Assembly (Incl. Ref. # 26)	2
2	63-2820	Arm - Brake	1	24	62-1330	Bolt - Shoulder	2
3	63-2850	Bracket - Idler Arm	1	25	3296-23	Nut - Lock	2
4	3296-42	Nut - Lock	1	26	63-2250	Bushing - Axle	2
5	3234-13	Screw - Cap Hex. Hd.	1	27	252-80	Washer - Thrust	2
6	3-4244	Pulley - Idler	2	28	62-1010	Guard - Chain L.H.	1
7	3296-59	Nut - Lock	2	29	63-2112	Axle Assembly	1
8	323-7	Screw - Cap Hex Hd.	2	30	62-1000	Guard - Chain R.H.	1
9	62-0970	Pin - Idler	1	31	32104-118	Screw - Hex Flange Hd.	3
10	62-1260	Arm - Traction Idler	1	32	241-127	Rim - Wheel	2
11	62-1280	Arm - Impeller Idler	1	33	232-48	Tube - Inner	2
12	62-1210	Bushing - Idler	1	34	231-123	Tire	2
13	63-2881	Spring - Torsion	1	35	5-2490	Bolt - Shoulder	2
14	63-2870	Spring - Extension	2	36	63-2740	Spring - Torsion	1
15	3296-39	Nut - Lock	2	37	3290-476	Fastener - Panel	1
16	3290-461	Washer - Belleville	2	38	3290-243	Pin - Klik	2
17	62-0470	Latch - Arm	1	39	3296-47	Nut - Lock	2
18	66-7720	Rod - Latch	1	40	63-3470	Decal - Adjustment	1
19	32121-9	Pin - Roll	2	41	3234-7	Screw - Hex Flange Hd.	2
20	32144-4	Screw - Hex Flange Hd.	2	42	66-8060	Pad - Brake	1
21	3256-1	Washer - Flat	2	*	67-9230	Wheel & Tire Assembly (Incl. Ref. #32-34)	1
22	63-3340	Washer	4	*	63-3040	Tire Chains Kit (Optional)	1

*Not Illustrated

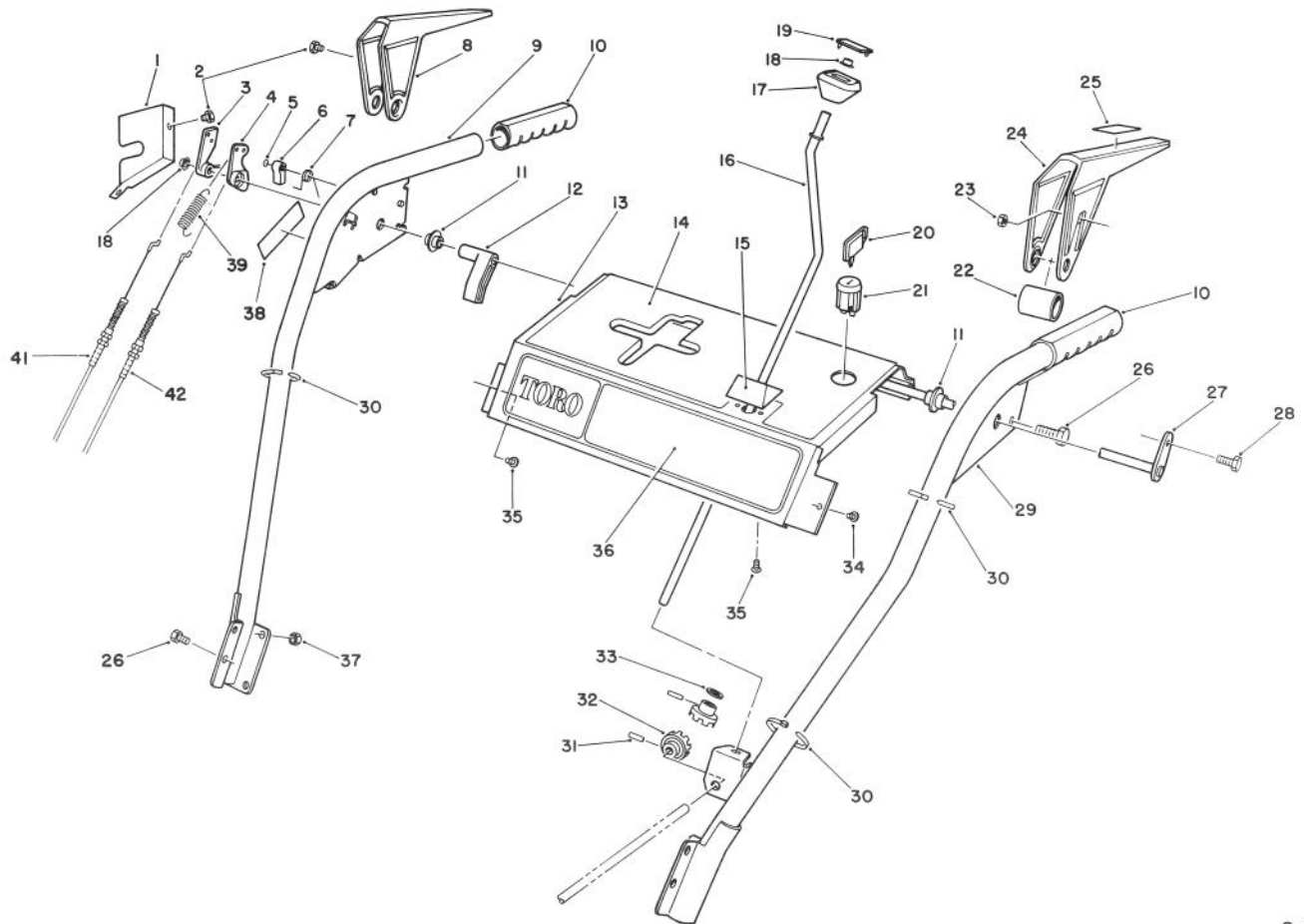


C-0054

TRACTION LINKAGE ASSEMBLY

Ref. No.	Part No.	Description	No. Used
1	62-1290	Knob - Shift	1
2	67-9240	Rod - Shift (Upper)	1
3	62-1110	Lever - Index Wheel	1
4	3290-422	Nut - Push	1
5	62-0180	Tang - Index	1
6	62-1650	Spring - Torsion	1
7	62-1100	Lever - Latch	1
8	63-2220	Spring - Extension (Latch Lever)	1
9	63-2610	Pin - Tang	1
10	63-2480	Decal - #2	1
11	32104-118	Screw - Pan Hd.	2
12	62-1140	Cover - Latch	1
13	32120-46	Ring - Retaining	1
14	257-9	Washer - Thrust	1
15	3290-320	Nut - Push	1
16	62-1710	Spring - Flat	1
17	63-2240	Spring - Extension (Lockout)	1
18	63-2650	Screw - Shoulder	2
19	62-1700	Lever - Lockout	1
20	62-1130	Lever - Reverse	1

Ref. No.	Part No.	Description	No. Used
21	63-2230	Spring - Extension (Reverse Lever)	1
22	62-1120	Lever - Reverse	1
23	63-2150	Frame - Control	1
24	3256-23	Washer - Flat	3
25	3296-29	Nut - Lock	7
26	3296-42	Nut - Lock	1
27	3256-1	Washer - Flat	1
28	67-9250	Retainer - Shift Rod	1
29	321-43	Screw - Cap Hex. Hd.	1
30	66-7730	Clevis	1
31	256-296	Bushing - Nyliner	2
32	3296-39	Nut - Lock	1
33	63-2630	Bracket - Shift	1
34	63-2830	Rod - Shift (Lower)	1
35	3220-3	Nut - Jam	2
36	63-2640	Joint - Ball	1
37	3290-456	Washer - Belleville	1
38	63-2210	Cable - Gearbox	1
39	63-2200	Cable - Latch	1
40	63-2270	Spring - Torsion	1
41	62-0170	Wheel - Index	1
42	62-1470	Base - Lockout	1

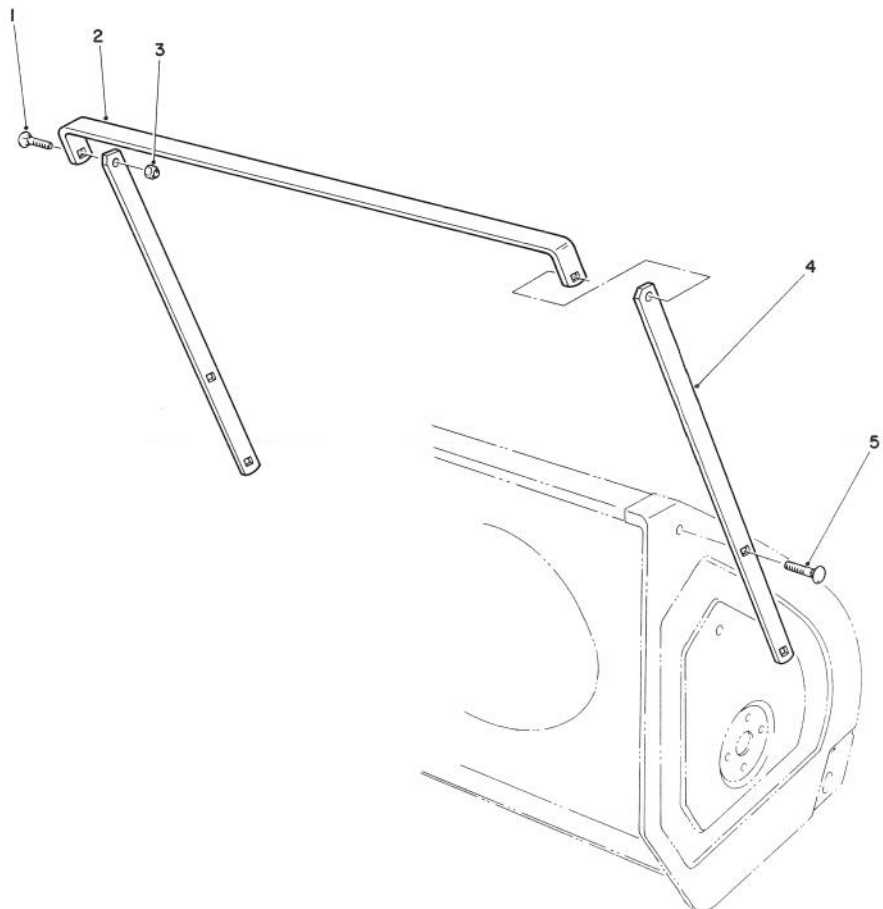


C-0055

HANDLE ASSEMBLY

Ref. No.	Part No.	Description	No. Used	Ref. No.	Part No.	Description	No. Used
1	63-2170	Cover - Lever Lock	1	22	3296-2	Nut - Lock	1
2	2210-250	Screw	3	23	62-1060	Lever - Traction	1
3	62-0300	Tang - Locking	1	24	63-3380	Spacer - Traction Lever	1
4	62-0290	Cam - Release	1	25	63-3050	Decal - Lever	1
5	32151-66	Ring - Retaining	1	26	3234-7	Screw - Hex Flange Hd.	6
6	62-0280	Latch - Lock	1	27	63-2030	Rod - Cross	1
7	63-2910	Spring - Torsion	1	28	3290-359	Screw	1
8	62-1050	Lever - Impeller	1	29	66-8091	Handle - L.H.	1
9	62-1381	Handle - R.H.	1	30	3290-378	Tie - Cable	3
10	66-7850	Handlegrip	2	31	32121-50	Pin - Roll	2
11	62-1070	Bushing - Lever	2	32	62-1460	Gear - Universal	2
12	62-1640	Lever - Trip	1	33	62-1230	Washer - Rubber	1
13	66-8100	Panel - Control	1	34	32104-76	Screw - Self Tapping	2
14	63-2550	Decal - Panel Top	1	35	32104-118	Screw - Pan Hd.	2
15	62-1490	Plate - Guide	1	36	63-2520	Decal - Panel Front	1
16	63-2160	Rod - Chute Crank	1	37	3296-47	Nut - Lock	4
17	62-1320	Knob - Chute Control	1	38	63-3470	Decal - Adjustment	1
18	3290-320	Nut - Push	2	39	63-2720	Spring - Extension	1
19	62-1520	Cover - Knob	1	40	63-2710	Cable - Traction	1
20	62-7770	Key - Switch	1	41	63-2700	Cable - Impeller	1
21	40-5940	Switch - On/Off	1	*	63-3430	Harness - Wire	1

*Not Illustrated

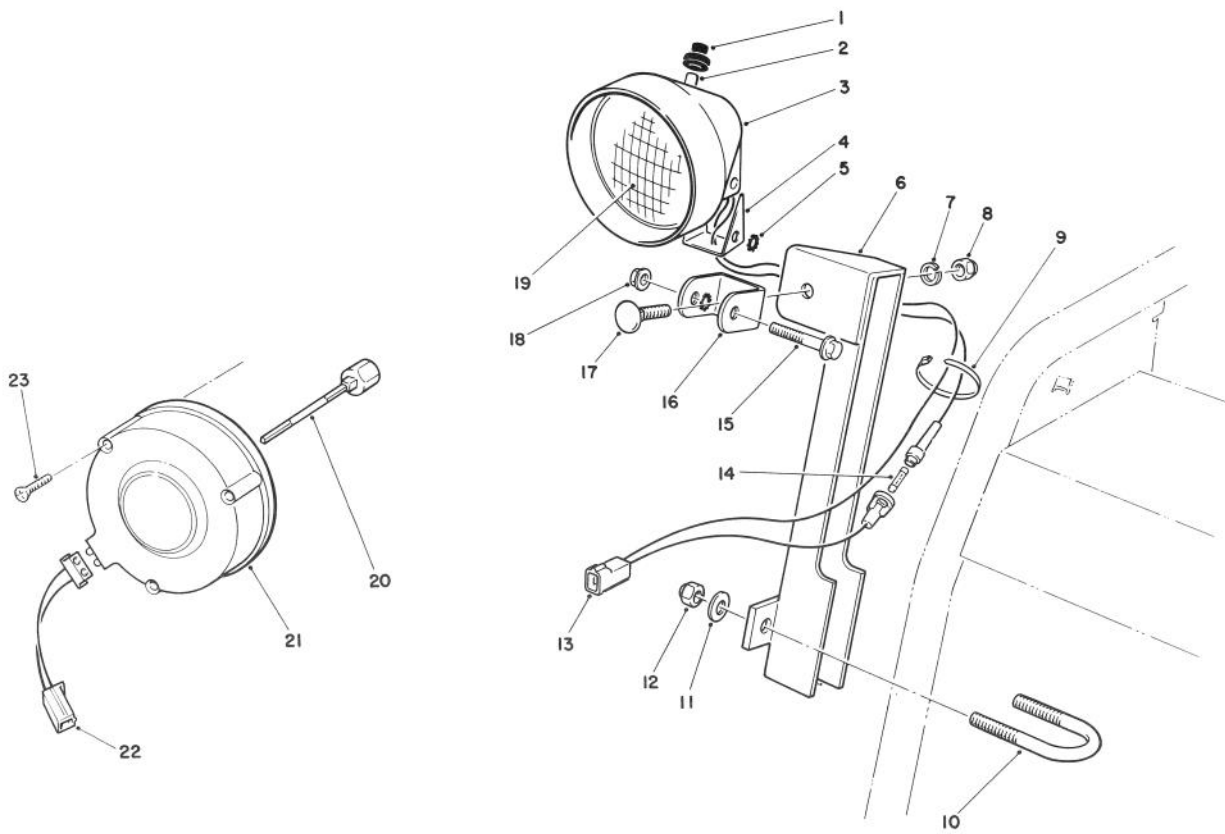


C-0068

DRIFT BREAKER ASSEMBLY NO. 66-7970 (Optional)

Ref. No.	Part No.	Description	No. Used
1	3230-16	Bolt - Carriage	2
2	68-7181	Breaker - Top (28")	1
3	3296-29	Nut - Lock	6

Ref. No.	Part No.	Description	No. Used
4	68-7170	Breaker - Side	2
5	3230-1	Bolt - Carriage	4



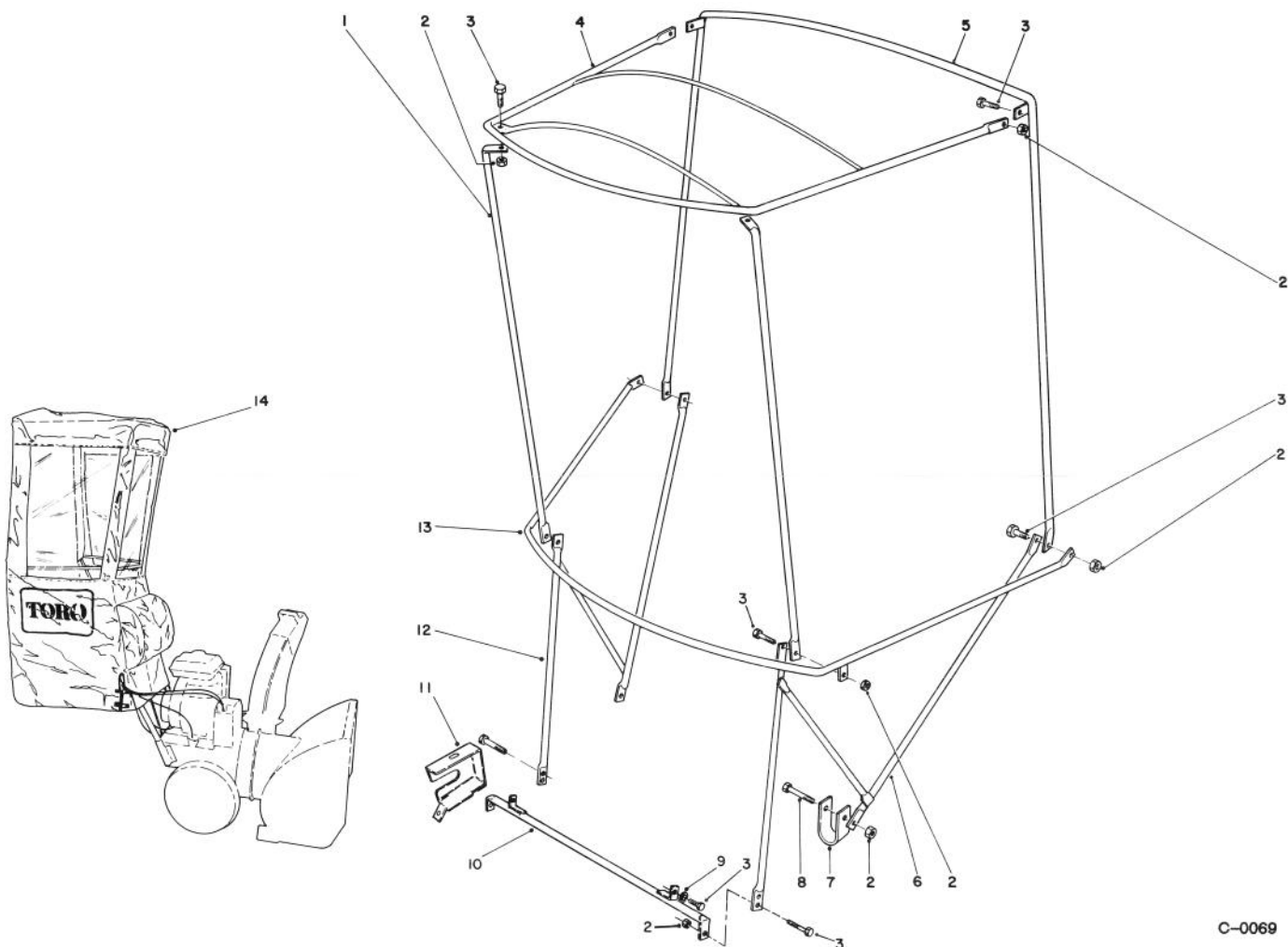
C-0070

LIGHT KIT NO. 66-7930 (Optional)

Ref. No.	Part No.	Description	No. Used	Ref. No.	Part No.	Description	No. Used
1	218-473	Boot - Switch	1	15	322-13	Screw - Hex. Flange Hd.	1
2	218-553	Switch Assembly	1	16	218-556	Bracket - U	1
3	218-552	Bucket - Headlamp	1	17	3231-2	Bolt - Carriage	1
4	218-554	Bracket	1	18	32128-35	Nut - Flange Lock	1
5	3255-8	Washer - Lock	2	19	218-16	Bulb - Sealed Beam	1
6	68-7110	Mount - Lamp	1	20	2210-268	Shaft - Alternator 3"	1
7	3253-21	Washer - Lock	1	*	2210-269	Shaft - Alternator 4"	1
8	3217-7	Nut - Hex.	1	21	2210-274	Alternator	1
9	3290-378	Tie Wrap	2	22	2210-272	Connector - Light	1
10	68-7140	Bolt - U	1	23	2210-273	Screw - Self Tapping	3
11	3256-23	Washer - Flat	2	*	2210-270	Tube - Centering 3"	1
12	3296-29	Nut - Lock	2	*	2210-271	Tube - Centering 4"	1
13	218-555	Wire Assembly	1	*	54-9871	Headlamp Assembly (Incl. Ref. #1-5, 7, 8 & 13-19)	1
†14		Fuse - 7-1/2 Amp.	1				

*Not Illustrated

†Obtain Locally



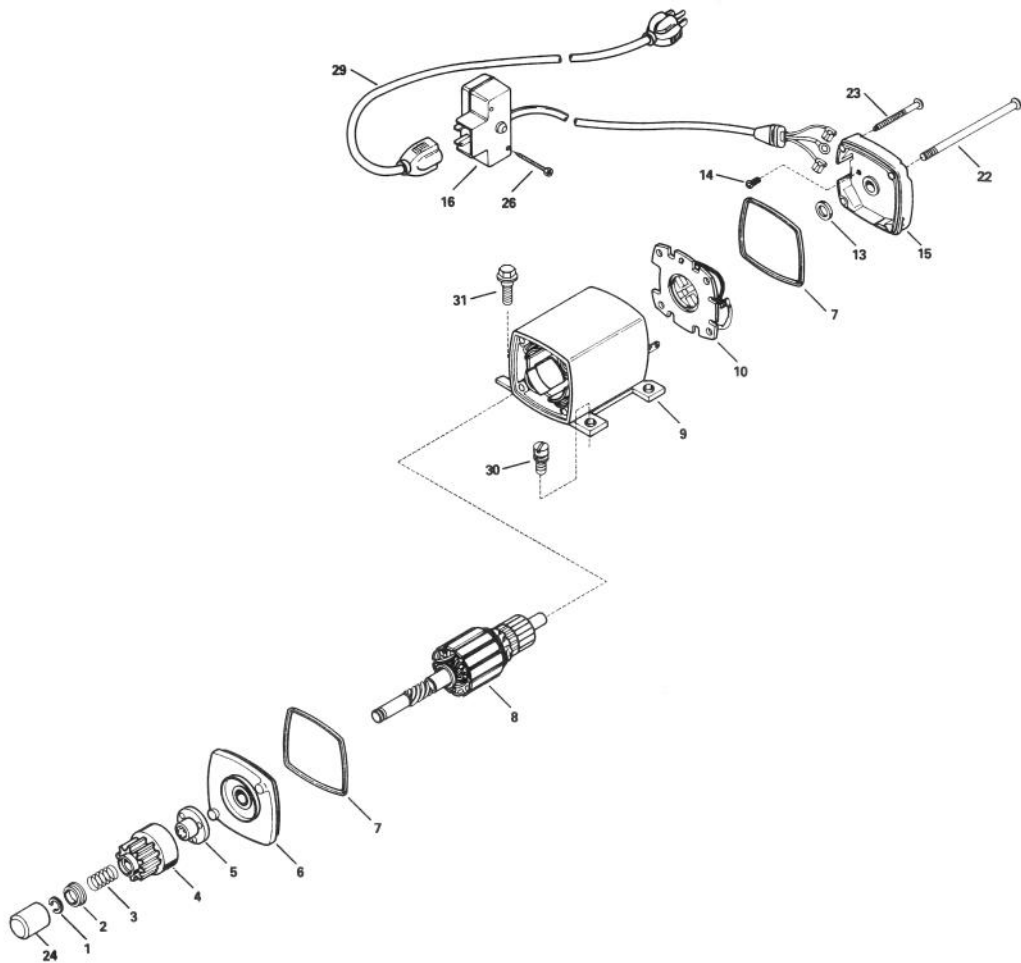
C-0069

SNOW CAB ASSEMBLY NO. 66-6200 (Optional)

Ref. No.	Part No.	Description	No. Used
1	12-8040	Post - Corner	2
2	32153-4	Nut - Lock	14
3	321-4	Screw - Cap Hex. Hd.	12
4	12-8010	Frame - Top	1
5	12-8030	Bow - Vertical	1
6	66-6230	Bracket - L.H.	1
7	66-6240	Clamp - Loop	2

Ref. No.	Part No.	Description	No. Used
8	321-11	Screw - Cap Hex. Hd.	2
9	3256-58	Washer - Fender	2
10	66-6210	Bracket - Base	1
11	63-3330	Cover - Lever	1
12	66-6220	Bracket - R.H.	1
13	12-8020	Bow - Horizontal	1
†14		Cover - Vinyl	1

†Not sold separate



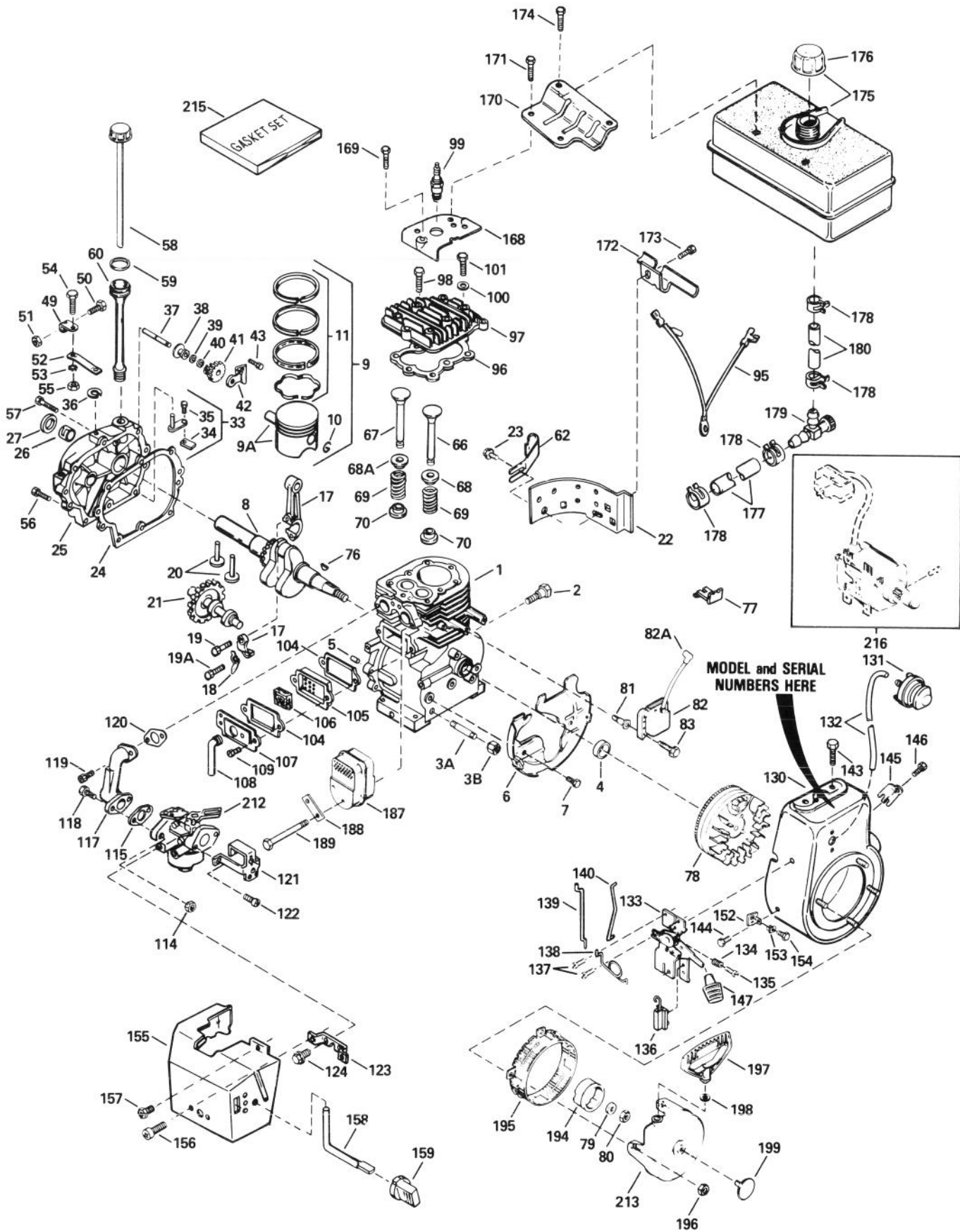
ELECTRIC STARTER MOTOR KIT NO. 37-4810 (Optional)

Ref. No.	Part No.	Description	No. Used
1	33842	Ring - Retainer	1
2	33430	Retainer - Spring	1
3	33431	Spring - Anti-Drift	1
4	33432	Gear	1
5	33433	Nut - Engaging	1
6	35449	Drive End Cap Assembly (Incl. Ref. #7)	1
7	35450	Seal - O-Ring	2
8	33541A	Armature	1
9	35451	Housing Assembly	1
10	35452	Card Assembly - Brush	1
13	590500	Washer - Thrust	1

Ref. No.	Part No.	Description	No. Used
14	33441	Screw - Ground	1
15	35453	Commutator End Cap Assy. (Incl. Ref. #7)	1
16	35454	Switch Box Assembly	1
22	35455	Bolt - Case	2
23	35456	Screw - Grounding	1
24	33451	Cover - Dust	1
26	650819	Screw - Hex. Hd. Self Tap	2
29	32450A	Cord - Extension (10" 6')	1
30	30063	Screw - Fil. Hd.	2
31	650820	Screw - Shoulder Hex. Hd.	2

Note: Obtain individual parts from your local Tecumseh dealer.

ENGINE TECUMSEH MODEL NO. HM80-155337N



ENGINE TECUMSEH MODEL NO. HM80-155337N

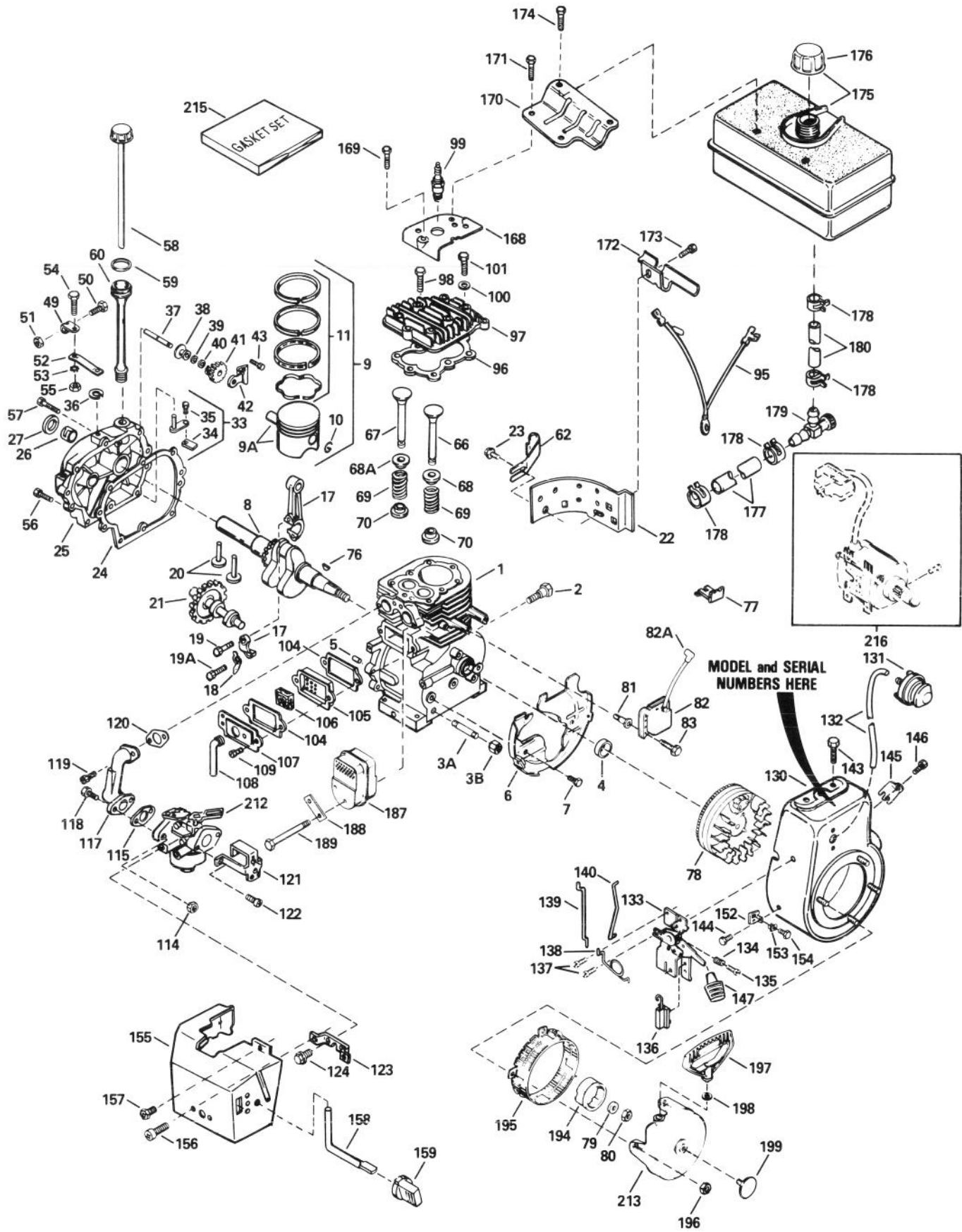
Ref. No.	Part No.	Description	No. Used
1	35385	Cylinder (Incl. Ref. #4 & 5)	1
2	650820	Screw - Shoulder Hex. Hd.	2
3A	34171	Nipple - Pipe	1
3B	30969	Cap - Oil Drain	1
4	35319	Seal 0 Oil	1
5	27652	Pin - Dowel	2
6	35326	Baffle - Blower Housing	1
7	650561	Screw - Hex. Washer Hd.	2
8	35571	Crankshaft	1
9	34552	Piston Pin & Ring Assy. (Std.) (Incl. Ref. #9A-11)	1
*	34553	Piston Pin & Ring Assy. (.01" OS.) (Incl. Ref. #9A-11)	1
*	34554	Piston Pin & Ring Assy. (.02" OS.) (Incl. Ref. #9A-11)	1
9A	34329A	Piston & Pin Assy. (Std.) (Incl. Ref. #10)	1
*	34330A	Piston & Pin Assy. (.01" OS.) (Incl. Ref. #10)	1
*	34331A	Piston & Pin Assy. (.02" OS.) (Incl. Ref. #10)	1
10	27888	Ring - Piston Pin Retaining	2
11	34332	Ring Set - Piston (Std.)	1
*	34333	Ring Set - Piston (.01" OS.)	1
*	34334	Ring Set - Piston (.02" OS.)	1
17	35373A	Connecting Rod Assy. (Incl. Ref. #18,19 & 19A)	1
18	35374	Dipper - Oil	1
19	650908	Bolt - Connecting Rod	1
19A	650882	Bolt - Connecting Rod	1
20	34034	Lifter - Valve	2
21	35375	Camshaft	1
22	33273A	Extension - Blower Housing	1
23	650128	Screw - Fill. Hd.	1
†24	35262	Gasket - Cylinder Cover	1
25	35376	Cylinder Cover Assy. (Incl. Ref. #26, 27 & 37)	1
26	35377	Bearing - Cylinder Cover	1
27	35319	Seal - Oil	1
33	30699C	Governor Rod Assy. (Incl. Ref. #34-35)	1
34	30700	Yoke - Governor	1
35	650494	Screw - Fil. Hd.	1
36	29642	Ring - Retaining	1
37	31845	Shaft - Governor	1
38	30588A	Spool - Governor	1
39	30590A	Washer - Flat	1
40	29193	Ring - Retaining	1
41	35378	Gear - Governor (Incl. Ref. #39)	1
42	33369	Bracket - Governor Gear	1
43	650836	Screw - Hex. Washer Hd.	2
49	29916	Clamp - Governor Lever	1

Ref. No.	Part No.	Description	No. Used
50	29826	Screw - Hex. Washer Hd.	1
51	29216	Nut - Lock	1
52	33454	Lever - Governor	1
53	29918	Washer - Lock	1
54	650548	Screw - Hex. Washer Hd.	1
55	30322	Nut - Lock	1
56	650832	Screw - Hex. Washer Hd.	1
57	650833	Screw - Hex. Washer Hd.	7
58	35555	Dipstick - Oil	1
59	35499	Seal - O-Ring	1
60	35554	Tube - Oil Fill	1
62	35540	Clip - Fuel Tube	1
66	27878A	Valve - Exhaust (Std.) (Incl. Ref. #70)	1
*	27880A	Valve - Exhaust (.03" OS.) (Incl. Ref. #70)	1
67	34035	Valve - Intake (Std.) (Incl. Ref. #70)	1
*	34036	Valve - Intake (.03" OS.) (Incl. Ref. #70)	1
68	27882	Cap - Upper Valve Spring	1
68A	34689	Seal - Intake Valve2	
69	27881	Spring - Valve	2
70	32581	Cap - Lower Valve Spring	2
76	32589	Key - Flywheel	1
77	29443	Clip - Spring	1
78	611091	Flywheel/Gear	1
79	650880	Washer - Lock	1
80	650881	Nut - Flywheel	1
81	650872	Stud - Solid State Mounting	2
82	35135	Solid State Assembly	1
82A	610118	Cover - Spark Plug	1
83	650814	Screw - Hex. Hd.	1
95	35253	Wire - Ground	1
†96	34041	Gasket - Cylinder Head	1
97	34030	Head Cylinder	1
98	6021A	Screw - Hex. Flange Hd.	7
99	35395	Plug - Spark (Champion RJ-19LM or Equivalent)	1
100	650691	Washer - Flat	2
101	650727	Screw - Special	2
†104	27896	Gasket - Breather	2
105	28423	Body - Breather	1
106	28424	Element - Breather	1
107	28425	Cover - Breather	1
108	35350	Tube - Breather	1
109	650128	Screw - Fil. Hd.	2
114	29752	Nut/Lockwasher	2
†115	33263	Gasket - Carburetor	1
117	33877	Pipe - Intake	1
118	30088A	Screw - Fil. Hd.	2
119	650378	Screw - Fil. Hd.	2
†120	27915	Gasket - Intake Pipe	1
121	34587	Bracket - Choke	1
122	28820	Screw - Fil. Hd.	2

*Not Illustrated

†Included in Gasket Set Ref. #33279E.

ENGINE TECUMSEH MODEL NO. HM80-155337N (Continued)

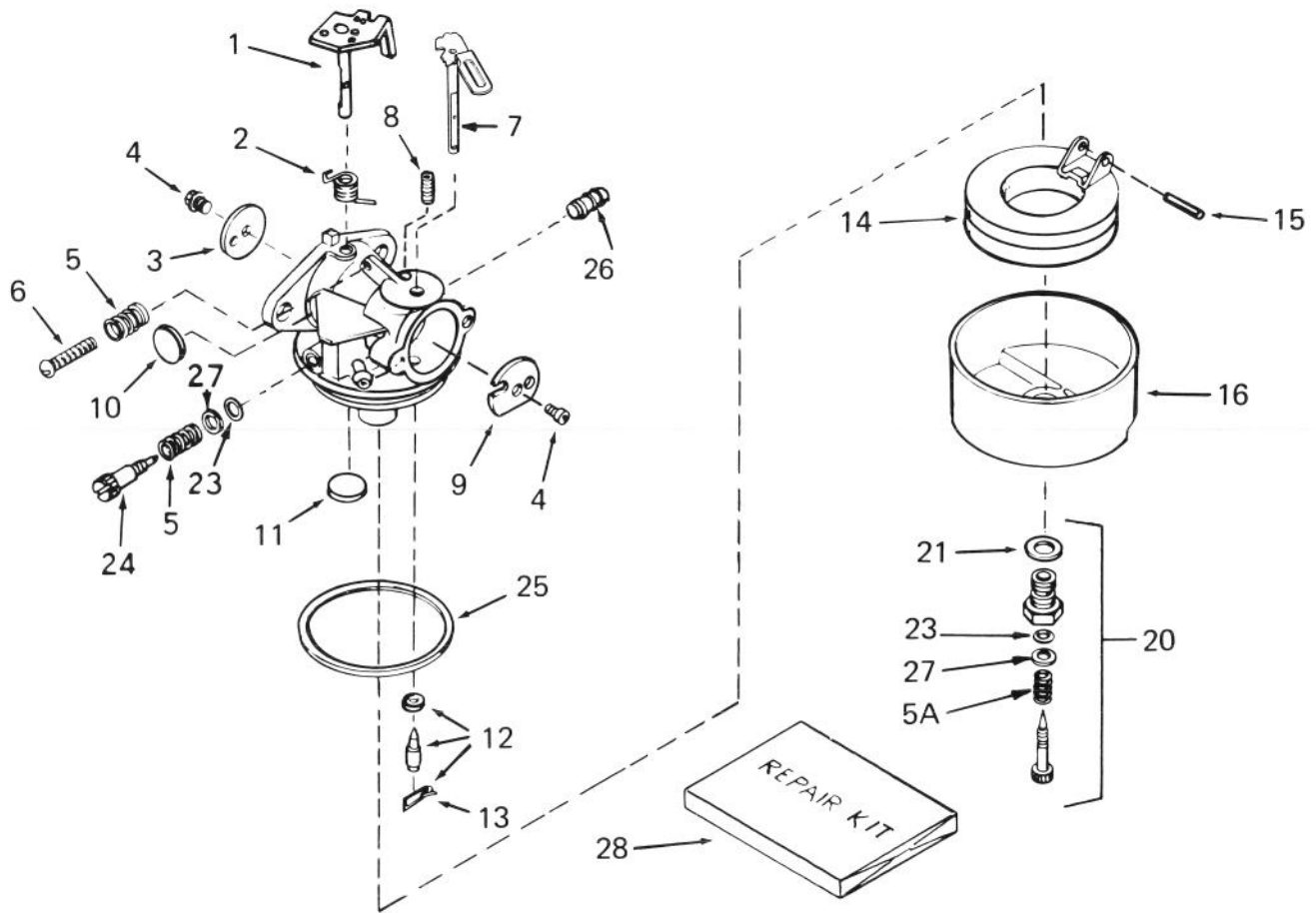


ENGINE TECUMSEH MODEL NO. HM80-155337N (Continued)

Ref. No.	Part No.	Description	No. Used
123	33377	Bracket - Carburetor Cover	1
124	650767	Screw - Hex. Washer Hd.	2
130	35447	Housing - Blower	1
131	570682	Primer Assembly	1
132	32180C	Line - Primer	1
133	34664	Control Bracket Assembly (Incl. Ref. #134-136 & 138)	1
134	31342	Spring - Compression	1
135	650549	Screw - Fil. Hd.	1
136	610973	Terminal Assembly	1
137	650821	Screw - Hex. Washer Hd.	2
138	34663	Spring - Speed Control	1
139	34667	Link - Governor	1
140	33878	Link - Governor to Throttle	1
143	650788	Screw - Hex. Hd.	2
144	29747B	Screw - Hex. Hd.	2
145	33013	Cover - Starter Hole	1
146	650760	Screw - Pan Hd.	1
147	35440	Knob - Control	1
152	34126	Bracket - Grommet Mount	1
153	28545	Grommet - Plastic	1
154	650760	Screw - Pan Hd.	1
155	35057	Cover - Carburetor	1
156	28942	Screw - Hex. Washer Hd.	2
157	650765	Screw - Hex. Washer Hd.	1
158	34586	Rod - Choke	1
159	35438	Knob - Choke	1

Ref. No.	Part No.	Description	No. Used
168	33272A	Cover - Cylinder Head	1
169	650802	Screw - Hex. Washer Hd.	1
170	34154	Plate - Fuel Tank	1
171	650713	Screw - Hex. Hd.	1
172	34155	Bracket - Fuel Tank	1
173	650561	Screw - Hex. Washer Hd.	1
174	650665	Screw - Hex. Washer Hd.	2
175	34156A	Fuel Tank Assy. (Incl. Ref. #176 & 178)	1
176	35355	Cap - Fuel Tank	1
177	30705	Line - Fuel	1
178	26460	Clamp - Fuel Line	4
179	32961	Valve - Fuel Shut-off	1
180	29774	Line - Fuel	1
187	35056	Muffler	1
188	31588	Plate - Lock	1
189	792093	Screw - Hex. Flange Hd.	2
194	35287	Hub - Starter	1
195	35446	Screen - Starter	1
196	29752	Nut/Lockwasher	4
197	590574	Handle - Starter	1
198	650168	Washer - Flat	1
199	35392	Plug - Starter	1
212	632334	Carburetor Assembly (Incl. Gasket #33263)	1
213	590630	Rewind Starter Assembly	1
215	33279E	Gasket Set	1

*Not Illustrated
Included in Gasket Set Ref. #33279E.

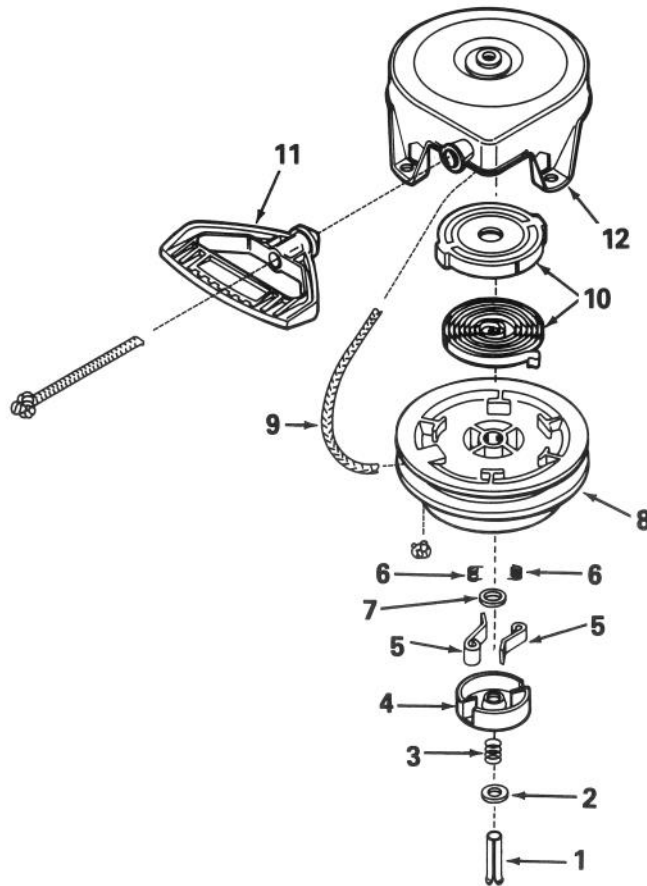


CARBURETOR TECUMSEH NO. 632334

Ref. No.	Part No.	Description	No. Used
1	631776	Shaft/Lever - Throttle	1
2	631970	Spring - Throttle Return	1
3	631778	Shutter - Throttle	1
4	650506	Screw - Shutter	2
5	630766	Spring - Regulating Screw	1
5A	630738	Spring - Adjustment Screw	1
6	650417	Screw - Idle Regulating	1
7	632112	Shaft/Lever - Choke	1
8	630735	Spring - Choke Positioning	1
9	632174	Shutter - Choke	1
*10	630748	Plug - Welch	1
*11	631027	Plug - Welch	1
*12	631021	Inlet Needle, Seat & Clip Assy. (Incl. Ref. #13)	1

Ref. No.	Part No.	Description	No. Used
13	631022	Clip - Inlet Needle	1
14	632019	Float - Carburetor	1
*15	631024	Shaft - Float	1
16	631867	Bowl - Float	1
*20	632239	Adjustment Screw Assy. (Incl. Ref. #5A, 21, 23 & 27)	1
21	27110	Gasket - Bowl to Body	1
*23	630740	O-Ring - Adjustment Screw	1
*24	630898	Screw - Idle Adjustment	1
*25	631028	Gasket - Bowl to Body	1
26	632164	Fitting - Fuel Inlet	1
27	630739	Washer - Flat	1
28	632240	Repair Kit	1

*Included in Repair Kit Ref. #28.



REWIND STARTER TECUMSEH NO. 590630

Ref. No.	Part No.	Description	No. Used	Ref. No.	Part No.	Description	No. Used
1	590599A	Pin - Spring (Incl. Ref. #7)	1	7	590601	Washer	1
2	590600	Washer	1	8	590628	Pulley	1
3	590598	Spring - Brake	1	9	590451A	Rope - Starter	1
4	590627	Retainer	1	10	590629	Spring & Keeper Assembly	1
5	590641	Dog - Starter	2	11	590574	Handle - Starter	1
6	590617	Spring - Dog	2	12	590631	Starter Housing Assembly	1

