



Z588E Z Master[®] With 72in TURBO FORCE[®] Side Discharge Mower

Model No. 74256 - 260000001 and up.

Parts Catalog

Ordering Replacement Parts

To order replacement parts, please supply the part number, the quantity, and the description of each part desired.

Understanding Reference Numbers

Each identified part in an illustration has a reference number. The reference number for a part also appears in the parts list, along with other information about the part.

This catalog uses two special reference number formats, one to indicate parts in a service assembly and another to indicate the quantity of a given part in an illustration.

Service Assembly Reference Numbers

Parts in service assemblies have reference numbers in the form a:b. The a represents the reference number of the entire service assembly and the b represents a sequential number unique to each part within the service assembly.

For example, a wheel assembly might be identified by reference number 6, the tire by 6:1, the valve by 6:2, and the wheel by 6:3. When you order the assembly identified by reference number 6, you receive all parts identified by reference numbers 6:1, 6:2, and 6:3. However, you may also order any part individually. Reference numbers of this type appear in illustrations and in part lists.

Reference Numbers Indicating Quantity

In an illustration, if a reference number indicates more than one part, the reference number has the form nX y. The n represents the quantity of the part, the X is the multiplication symbol, and the y represents the reference number.

For example, in an illustration, the reference number 2X 37 means that two of the parts identified by reference number 37 are indicated.

Contents

Description	Page	Description	Page
Front Frame Assembly 3	Fuel Assembly 25
Castor and Wheel Assembly 5	Electrical Assembly 27
Main Frame Assembly 6	Crankshaft Assembly Kohler CH745-0003 29
Brake and Wheel Hub Assembly 7	Crankcase Assembly Kohler CH745-0003 30
Steering Control Assembly 8	Oil Pan/Lubrication Assembly Kohler CH745-0003 31
Hydraulic System Assembly 9	Head/Valve/Breather Assembly Kohler CH745-0003 32
Seat and Roll-Over-Protection-System Assembly 11	Ignition/Electrical Assembly Kohler CH745-0003 33
Deluxe Seat Assembly No. 110-0838 12	Blower Housing and Baffle Assembly Kohler CH745-0003 34
Roll-Over-Protection-System Assembly No. 108-1097 13	Starting System Assembly Kohler CH745-0003 35
Deck Connection Assembly 14	Fuel System Assembly Kohler CH745-0003 36
Deck Assembly 15	Engine Control Assembly Kohler CH745-0003 37
Spindle Assembly No. 106-3217 17	Air Intake/Filtration Assembly Kohler CH745-0003 38
Deck and Decal Assembly No. 107-1625 18	Exhaust Assembly Kohler CH745-0003 39
Rubber Deflector Assembly No. 108-2792 19	Attachments and Accessories List 40
Lever Assembly No. 106-3242 20		
Drive Idler Assembly 21		
Z-Stand Assembly 22		
Engine and Clutch Assembly 23		
Muffler and Guard Assembly 24		

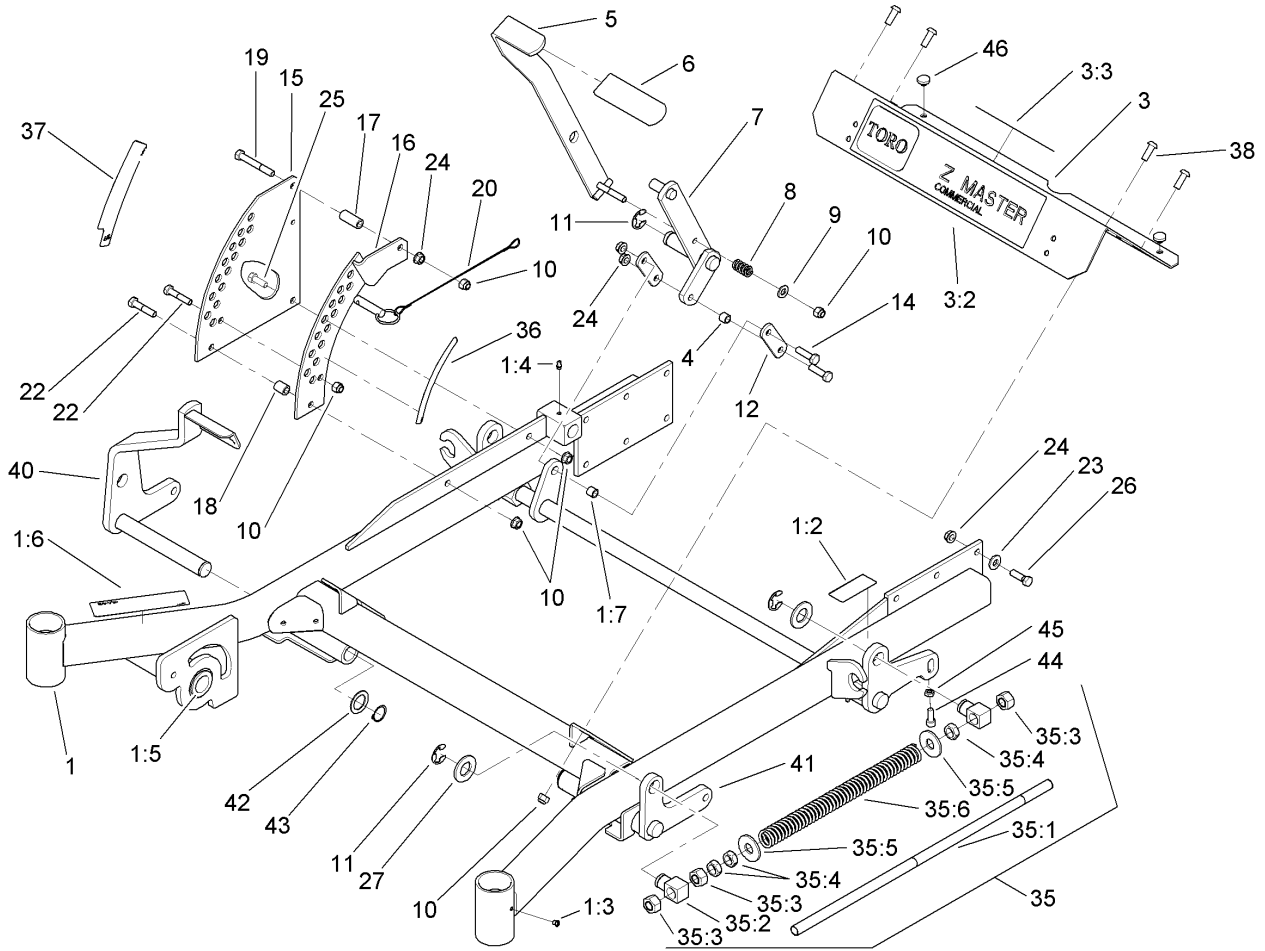
Part Description Abbreviations

Part descriptions in this catalog may include the following abbreviations.

AR. as required	INC. incorporated
ASM. assembly	LH. left hand
BBC. blade brake clutch	NI. nylon insert
CARR. carriage	NPTF. national pipe thread fine
DEG. degrees	PFH. phillips flat head
EXT. external	PPH. phillips pan head
FH. flat head	PPHTF. phillips pan head thread forming
GA. gauge	PRH. phillips round head
HF. hex flange	PTH. phillips truss head
HH. hex head	PTO. power-take-off
HHF. hex head flange	RH. right hand
HHFTF. hex head flange thread forming	ROPS. roll-over-protection-system
HJ. hex jam	SFH. slotted fillister head
HLH. hex lag head	SHH. slotted hex head
HOC. height-of-cut	SHWH. slotted hex washer head
HSBH. hex socket button head	SPH. slotted pan head
HSFH. hex socket flat head	SQH. square head
HSH. hex socket head	SRH. slotted round head
HWH. hex washer head	STD. standard
HWHTF. hex washer head thread forming	TAP. self tapping
HYD. hydraulic	TTH. torx truss head

Footnotes

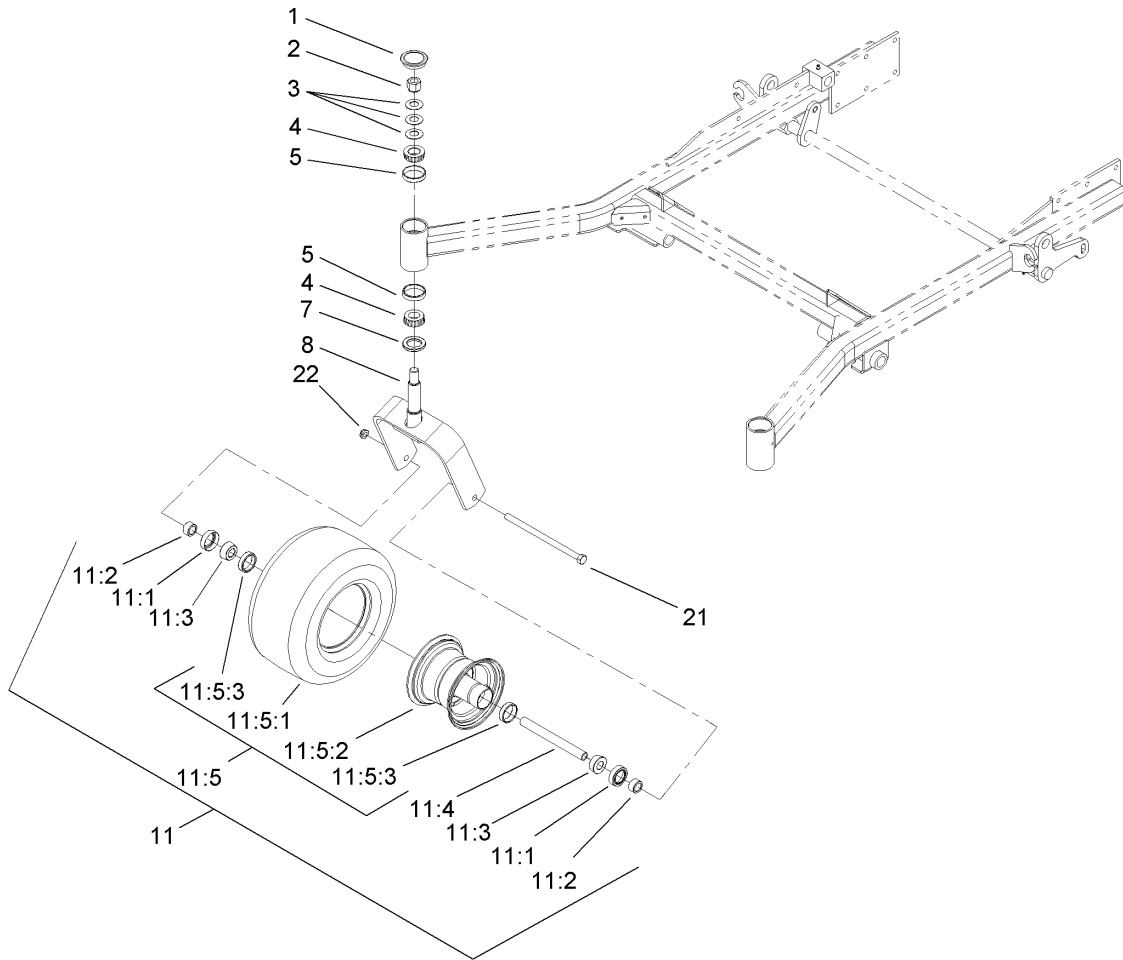
- | | |
|---|--|
| <p>❶ Not illustrated</p> <p>❷ X-22-11-S washer used with M-561016-S screw to ground ignition coil lead.</p> | <p>❸ Not serviced separately</p> <p>❹ Obtain from your local Kohler dealer</p> |
|---|--|



Front Frame Assembly

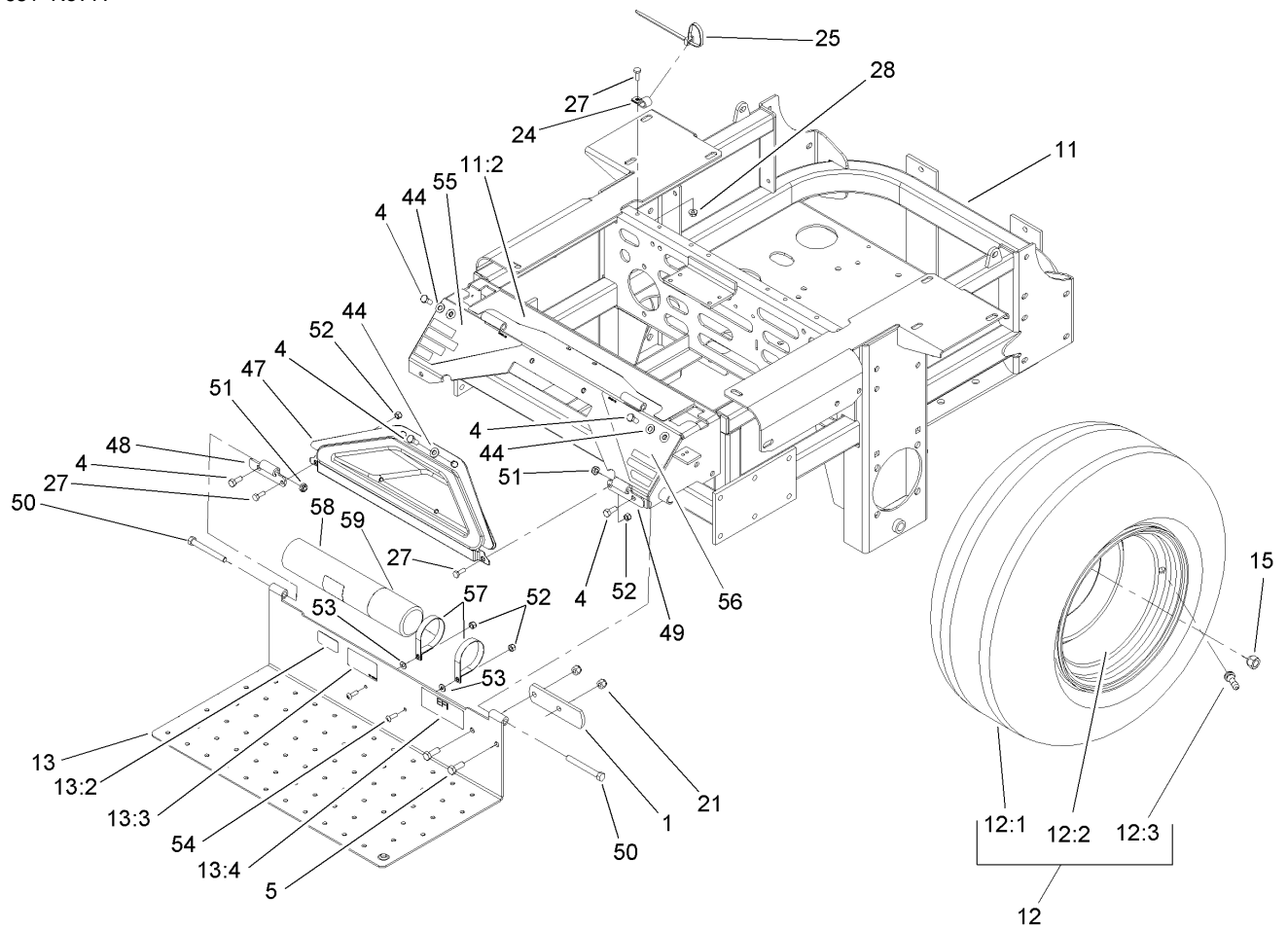
Ref	Part No.	Qty.	Description
1	106-8999	1	Frame ASM
1:2	107-1857	1	Decal-Brake, Parking
1:3	1-811010	2	Plug
1:4	302-19	5	Fitting-Grease
1:5	94-1291	2	Bushing
1:6	104-7759	1	Decal-Warning
1:7	103-1918	1	Bushing
3	106-9981	1	Front Floorpan ASM
3:2	106-7451	1	Decal
3:3	107-2112	1	Decal-Warning
4	103-1918	1	Bushing
5	103-2083-03	1	Lift Lever ASM
6	1-633295	1	Grip-Lever, Lift
7	103-2064-03	1	Arm-Lift, Deck
8	1-633325	1	Spring-Compression
9	3256-24	1	Washer-Flat
10	3296-39	9	Nut-Lock, NI
11	32151-103	5	Ring-Snap
12	1-633068	2	Arm-Lift, Deck
14	323-29	2	Screw-HH
15	1-633889-01	1	Plate-Lift, Deck
16	1-632899-01	1	Plate-Lift, Deck
17	1-633082	1	Bushing-Lever, Lift
18	1-633080	1	Bushing-Lever, Lift

Ref	Part No.	Qty.	Description
19	323-13	1	Screw-HH
20	106-9951	1	Hitch Pin ASM
22	323-9	2	Screw-HH
23	98-5975	12	Washer-Belleville
24	3290-357	15	Nut-HHF, Whiz
25	323-6	1	Screw-HH
26	323-7	12	Screw-HH
27	3256-29	4	Washer-Flat
35		2	Front Frame Spring ASM
35:1	1-633096	1	Rod-Lift, Deck
35:2	1-633441	2	Swivel-Deck Mount, Rear
35:3	3217-11	3	Nut-Hex
35:4	3218-6	3	Nut-Jam
35:5	3256-7	2	Washer-Flat
35:6	1-643015	1	Spring-Support, Deck
36	107-1861	1	Decal-Height, Deck
37	107-1860	1	Decal-Height, Deck
38	3274-94	4	Screw-HSBH
40	108-7786-01	1	RH Front Deck Lift ASM
41	106-8984-01	1	LH Deck Lift ASM
42	1-523157	2	Washer-Spacer
43	32151-29	2	Ring-Retaining
44	3274-18	2	Screw-HSH
45	3218-2	2	Nut-Jam



Castor and Wheel Assembly

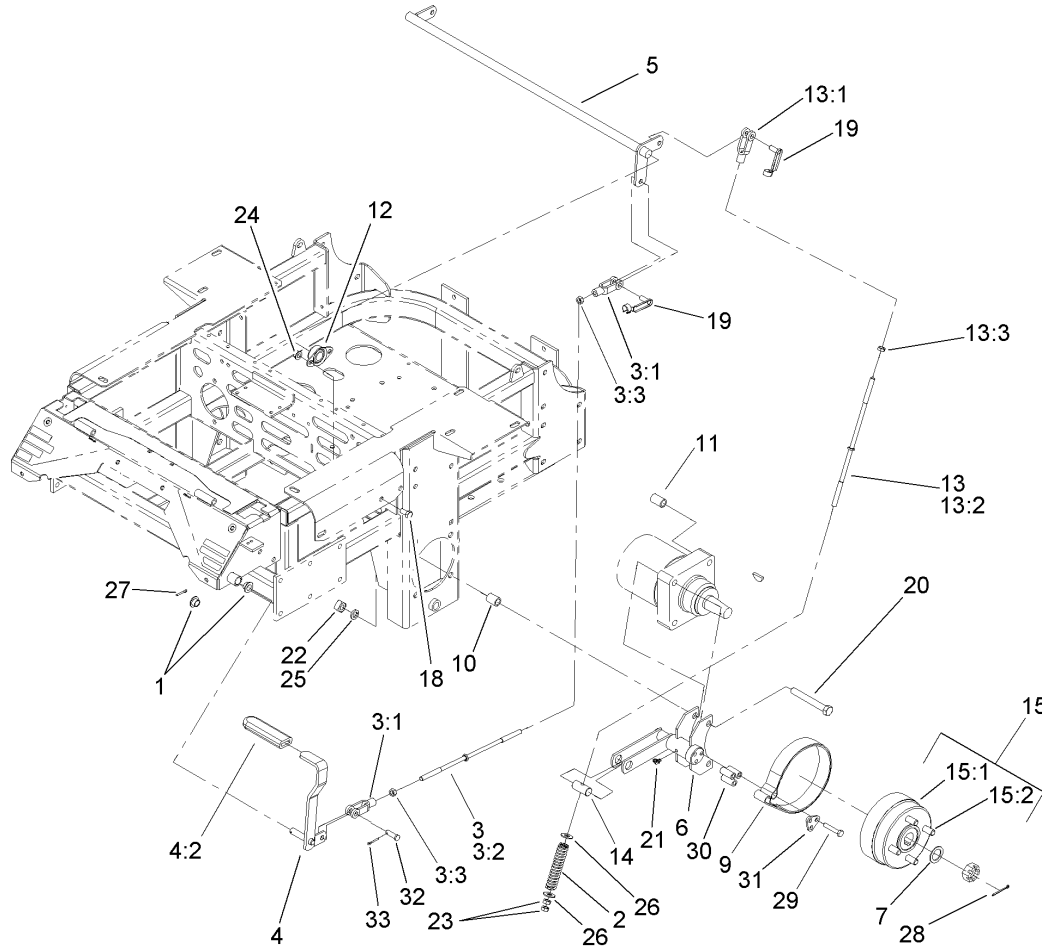
Ref	Part No.	Qty.	Description
1	103-4882	2	Cap-Grease
2	3296-51	2	Nut-Lock, NI
3	1-633508	6	Washer-Bellville
4	254-94	4	Bearing-Cone, Tapered
5	254-72	4	Bearing-Cup, Tapered
7	1-543511	2	Seal-Grease
8	103-1474-01	2	Fork-Caster
11	1-644251	2	Caster Wheel ASM
11:1	1-633580	2	Seal-Bearing
11:2	1-633581	2	Spacer-Bearing
11:3	1-633585	2	Bearing-Cone, Taper
11:4	1-633959	1	Spacer-Caster, Front
11:5		1	Wheel And Tire ASM
11:5:1	1-523009	1	Tire
11:5:2	1-633987	1	Wheel
11:5:3	1-633584	2	Bearing-Cup
21	325-39	2	Screw-HH
22	3296-23	2	Nut-Lock, NI



Main Frame Assembly

Ref	Part No.	Qty.	Description
1	1-633964-03	1	Stop-Brake, Park
4	322-43	6	Screw-HH
5	323-6	2	Screw-HH
11	108-1095	1	Main Frame ASM
11:2	107-8076	1	Decal-Console, Top
12	1-633970	2	Wheel And Tire ASM
12:1	1-633993	1	Tire
12:2	1-633992	1	Wheel
12:3	232-27	1	Stem-Valve
13	107-1859	1	Floorpan
13:2	98-4387	1	Decal-Protection, Ear
13:3	107-1864	1	Decal-Location, Manual
13:4	106-7486	1	Decal-Efi
15	242-50	8	Nut-Lug
21	3296-39	2	Nut-Lock, NI
24	1-513762	1	Clip-Loom
25	1-303335	1	Tie-Plastic
27	321-4	3	Screw-HH
28	32128-33	1	Nut-HF
44	3256-70	6	Washer-Flat
47	106-7498	1	Pocket
48	106-7488-03	1	Hinge-Floorpan, LH
49	106-7489-03	1	Hinge-Floorpan, RH
50	323-20	2	Screw-HH

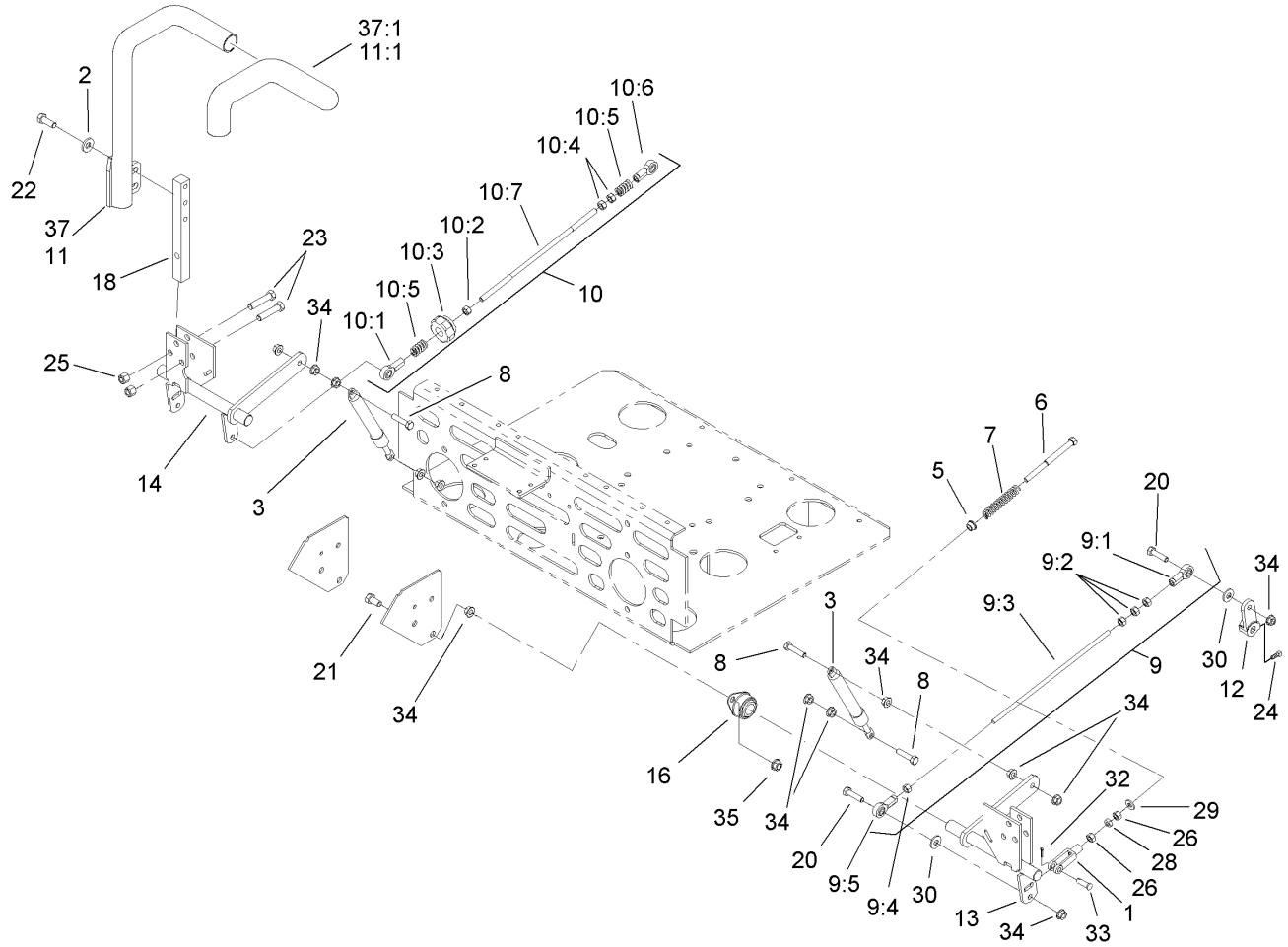
Ref	Part No.	Qty.	Description
51	3296-59	2	Nut-Lock, NI
52	3296-42	4	Nut-Lock, NI
53	3256-63	2	Washer-Flat
54	3258-166	2	Screw-PRH
55	106-9989	1	Decal-Warning
56	106-7492	1	Decal-Danger
57	107-1865	2	R-Clamp
58	104-7050	1	Housing-Manual
59	104-7048	1	Cap-Housing



Brake and Wheel Hub Assembly

Ref	Part No.	Qty.	Description
1	1-513140	2	Bearing-Control
2	1-633454	2	Spring-Brake
3	103-4332	1	Brake Rod And Yoke ASM
3:1	1-633131	2	Yoke-Linkage, Brake
3:2	1-633477	1	Rod-Brake
3:3	3219-3	2	Nut-Hex
4	1-634500	1	Brake Lever ASM
4:2	1-633268	1	Grip-Lever, Brake
5	1-632217-03	1	Shaft-Brake
6	103-0354-03	2	Bracket-Brake ASM
7	1-523157	2	Washer-Spacer
9	103-0355	2	Band-Brake
10	1-633060	4	Spacer-Wheel, Short
11	1-633062	4	Spacer-Wheel, Long
12	1-633102	2	Bearing-Flange, Side
13	103-4333	2	Brake Rod And Yoke ASM
13:1	1-633131	1	Yoke-Linkage, Brake
13:2	1-633477	1	Rod-Brake
13:3	3219-3	1	Nut-Hex
14	1-633144	2	Pin-Trunion
15	103-0590	2	Hub And Wheel ASM
15:1	103-0589	1	Wheel Hub ASM
15:2	1-633926	4	Stud-Wheel
18	323-4	4	Screw-HH

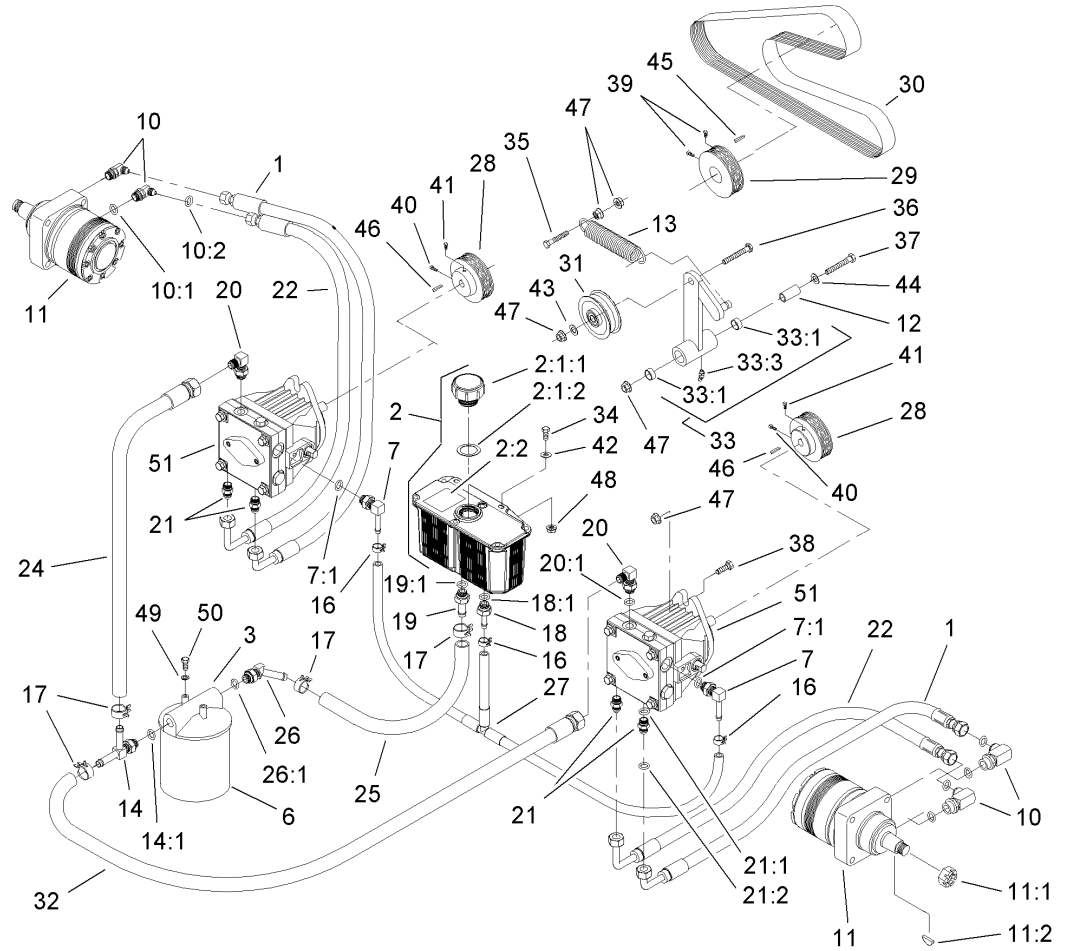
Ref	Part No.	Qty.	Description
19	103-2399	3	Pin-Spring, Clevis
20	325-20	8	Screw-HH
21	302-19	2	Fitting-Grease
22	103-0131	8	Nut-Square
23	3219-3	4	Nut-Hex
24	3290-357	4	Nut-HHF, Whiz
25	3253-7	8	Washer-Lock
26	3256-4	4	Washer-Flat
27	3272-10	1	Pin-Cotter
28	1-806800	2	Pin-Cotter
29	322-9	6	Screw-HH
30	103-0384	6	Spacer
31	103-0374	2	Retainer-Band, Brake
32	1-808285	1	Pin-Clevis
33	3272-10	1	Pin-Cotter



Steering Control Assembly

Ref	Part No.	Qty.	Description
1	1-303105	2	Yoke-Adjustable
2	98-5975	4	Washer-Belleville
3	103-4079	2	Damper-Control, Motion
5	1-603735	2	Bushing-Flanged
6	1-603737	2	Bolt-Return, Neutral
7	1-603807	2	Spring-Return, Neutral
8	1-403180	4	Screw-HH
9	103-4331	1	Tracking Rod ASM
9:1	1-543017	1	Balljoint-RH
9:2	3219-2	3	Nut-Hex
9:3	103-3064	1	Link-Rod, Tracking
9:4	1-804524	1	Nut
9:5	1-633152	1	Balljoint-Thread, LH
10	103-4330	1	Tracking Rod ASM
10:1	1-543017	1	Balljoint-RH
10:2	3219-2	1	Nut-Hex
10:3	103-3060	1	Knob-Tracking
10:4	1-804524	2	Nut
10:5	1-323245	2	Spring-Compression
10:6	1-633152	1	Balljoint-Thread, LH
10:7	103-3064	1	Link-Rod, Tracking
11	108-7238	1	LH Lever ASM
11:1	106-9987	1	Grip-Control, Motion
12	1-632208	2	Arm-Control, Pump

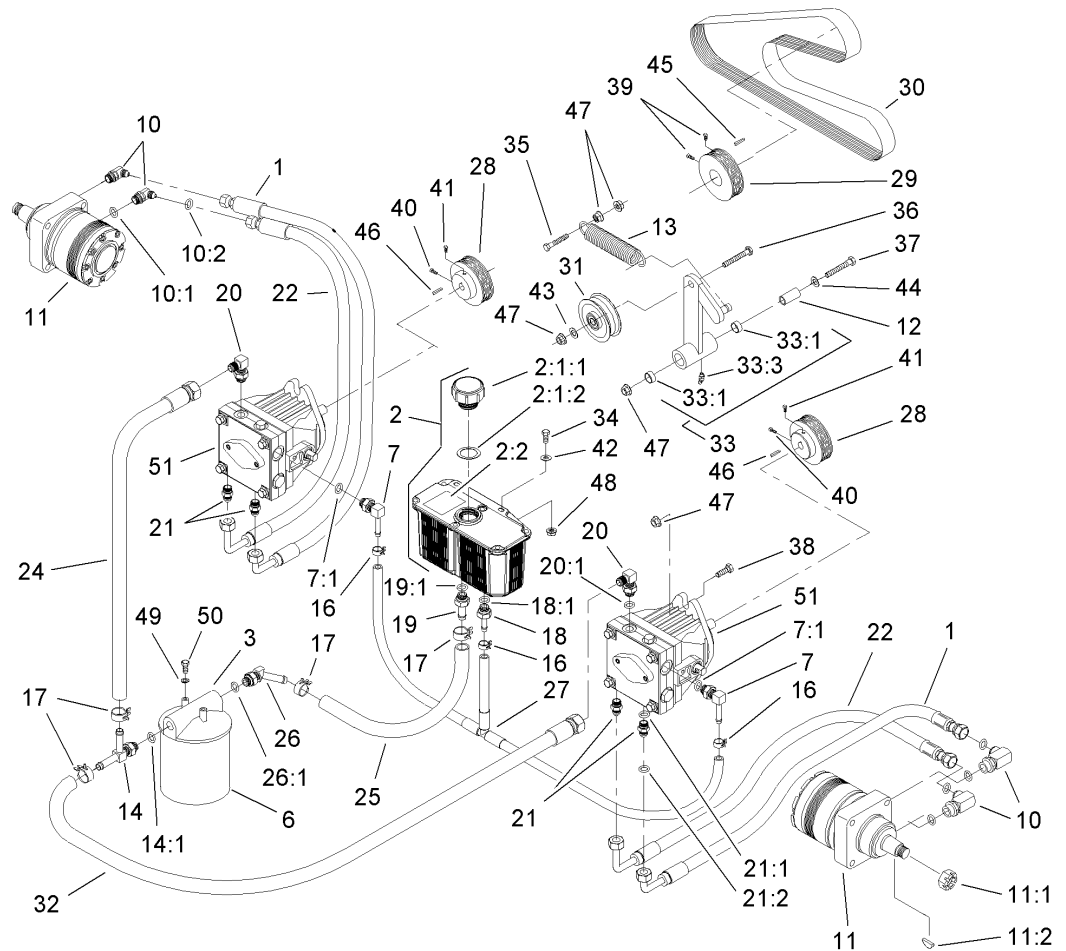
Ref	Part No.	Qty.	Description
13	103-4781	1	Control-Motion, LH
14	103-4782	1	Control-Motion, RH
16	1-633102	4	Bearing-Flange, Side
18	103-0407	2	Arm-Shaft, Control
20	322-6	4	Screw-HH
21	323-4	8	Screw-HH
22	323-6	4	Screw-HH
23	323-9	6	Screw-HH
24	1-803022	2	Screw-Set
25	3296-39	6	Nut-Lock, NI
26	3219-2	4	Nut-Hex
28	3220-2	2	Nut-Jam
29	3256-2	2	Washer-Flat
30	3256-3	4	Washer-Flat
32	3272-5	2	Pin-Cotter
33	1-808280	2	Pin-Clevis
34	32128-20	16	Nut-HF
35	3290-357	8	Nut-HHF, Whiz
37	108-7237	1	RH Lever ASM
37:1	106-9987	1	Grip-Control, Motion



Hydraulic System Assembly

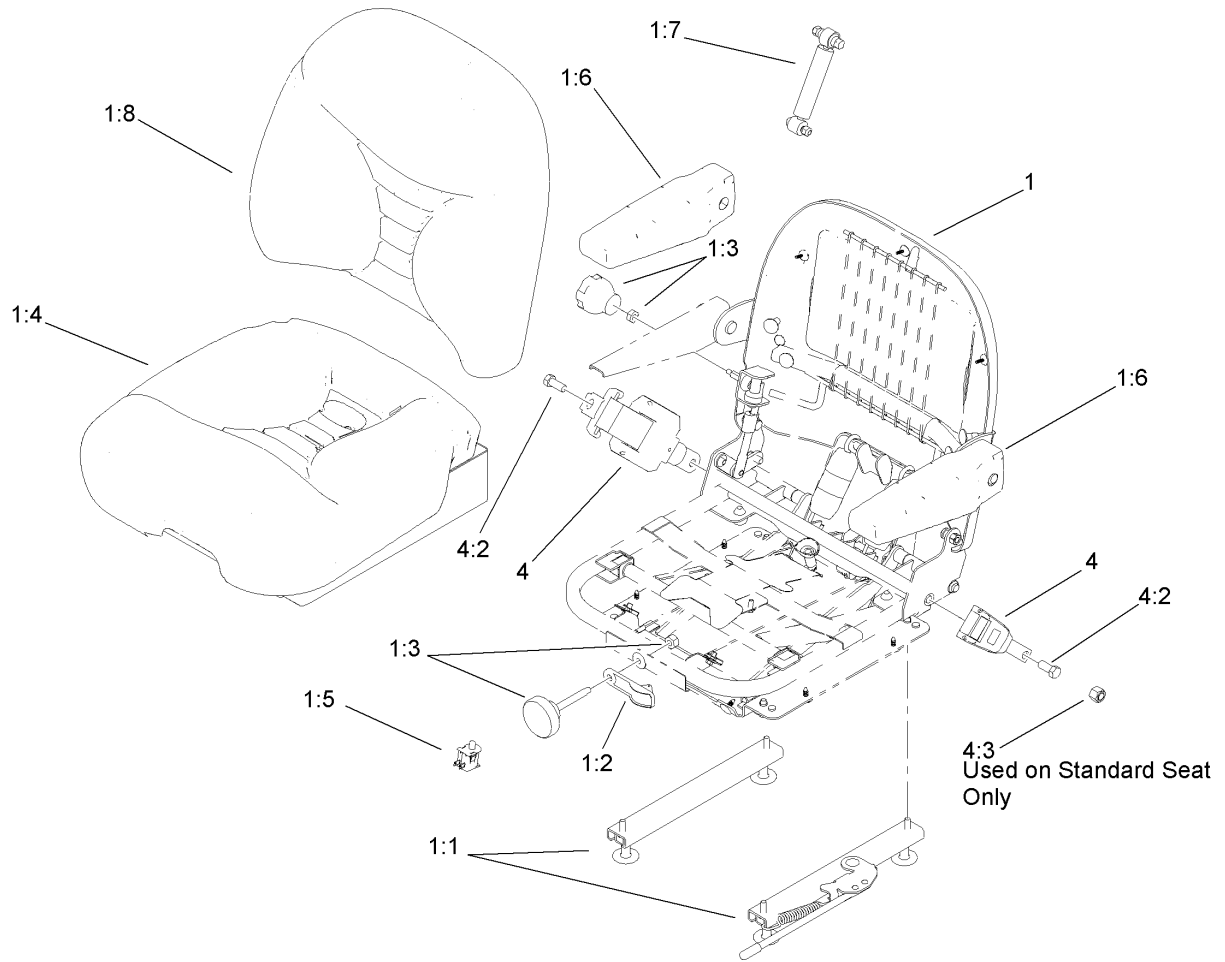
Ref	Part No.	Qty.	Description
1	103-3734	2	HYD Hose ASM
2	103-1947	1	HYD Reservoir ASM
1 2:1		1	Reservoir-HYD
2:1:1	103-1948	1	Cap-Reservoir, HYD
2:1:2	103-1949	1	Gasket-Cap
2:2	1-523552	1	Decal-Tank, HYD
3	104-7836	1	Head-Filter
6	1-633752	1	Filter-HYD, Winter
6	1-633750	1	Filter-HYD
7	103-1799	2	Elbow-90 DEG
7:1	237-42	1	O-Ring
10	1-633786	4	Fitting-90 DEG
10:1	237-80	1	O-Ring
10:2	1-603992	1	O-Ring
11	103-6988	2	Motor-Wheel
11:1	1-809036	1	Nut-HH
11:2	3257-42	1	Key-Woodruff
11:99	103-2748	1	Drive Link Kit
11:99	1-000139	1	Bearing Kit
11:99	1-000099	1	Seal Kit
12	1-603384	1	Bushing-Pivot, Idler
13	103-3330	1	Spring-Extension
14	103-1828	1	Adapter-Run, Tee
14:1	237-42	1	O-Ring

Ref	Part No.	Qty.	Description
16	103-1716	3	Clamp-Hose
17	103-1988	4	Clamp-Hose
18	103-1801	1	Adapter-Straight
18:1	237-42	1	O-Ring
19	103-1912	1	Adapter-Straight
19:1	237-42	1	O-Ring
20	103-1802	2	Fitting-HYD, 90 DEG
20:1	1-603921	1	O-Ring
21	1-603990	4	Fitting-Straight
21:1	1-603920	1	O-Ring
21:2	1-603992	1	O-Ring
22	103-1863	2	Hose-Lower
24	103-1826	1	HYD Hose ASM
25	103-1808	1	Hose-HYD
26	103-1807	1	Elbow-45 DEG
26:1	237-42	1	O-Ring
27	103-1806	1	HYD Hose ASM
28	103-6907	2	Sheave
29	1-633567	1	Sheave
30	103-7445	1	Belt-V
31	1-633167	1	Sheave-Idler
32	103-1827	1	HYD Hose ASM
33	1-634277	1	Bearing Arm ASM
33:1	1-513034	2	Sleeve-Bearing



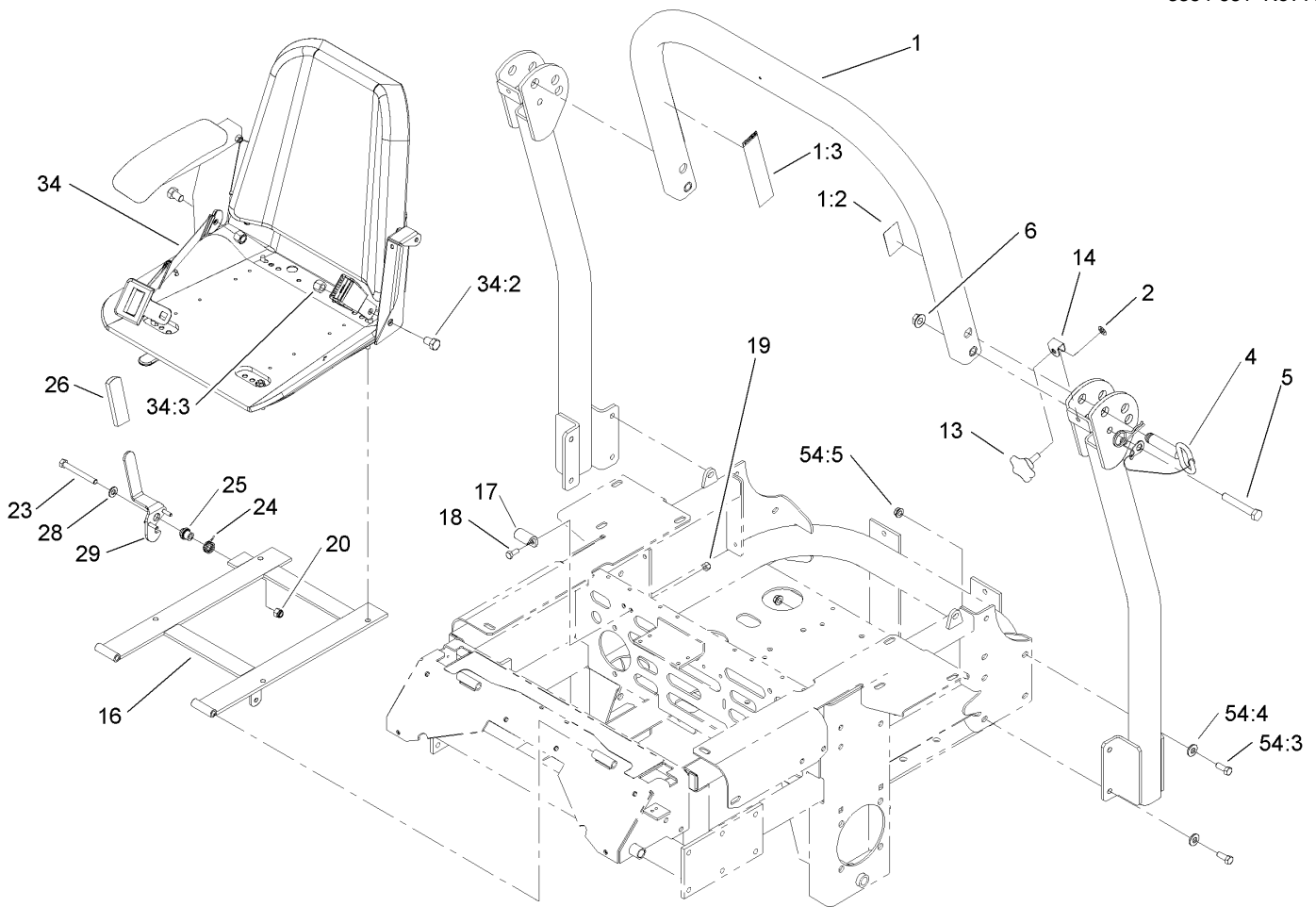
Hydraulic System Assembly (continued)

Ref	Part No.	Qty.	Description
33:3	302-40	1	Fitting-Grease
34	321-6	2	Screw-HH
35	323-8	1	Screw-HH
36	323-9	1	Screw-HH
37	1-800805	1	Screw-HH
38	323-7	4	Screw-HH
39	1-803022	2	Screw-Set
40	30-1710	2	Screw
41	1-803050	2	Screw-Set
42	3256-22	2	Washer-Flat
43	3256-3	1	Washer-Flat
44	3256-4	1	Washer-Flat
45	13-2840	1	Key-Square
46	1-807272	2	Key
47	3290-357	8	Nut-HHF, Whiz
48	32128-33	2	Nut-HF
49	1-805004	2	Washer-Lock
50	321-3	2	Screw-HH
51	103-7262	2	Pump-HYD
●51:1	103-7441	1	Bearing-Shaft, Input
●51:2	103-7443	1	Cylinder Block Kit
●51:3	103-8448	1	Thrust Bearing Kit
●51:4	105-6184	1	Overhaul Seal Kit
●51:5	103-2741	1	Shock Valve Kit



Deluxe Seat Assembly No. 110-0838

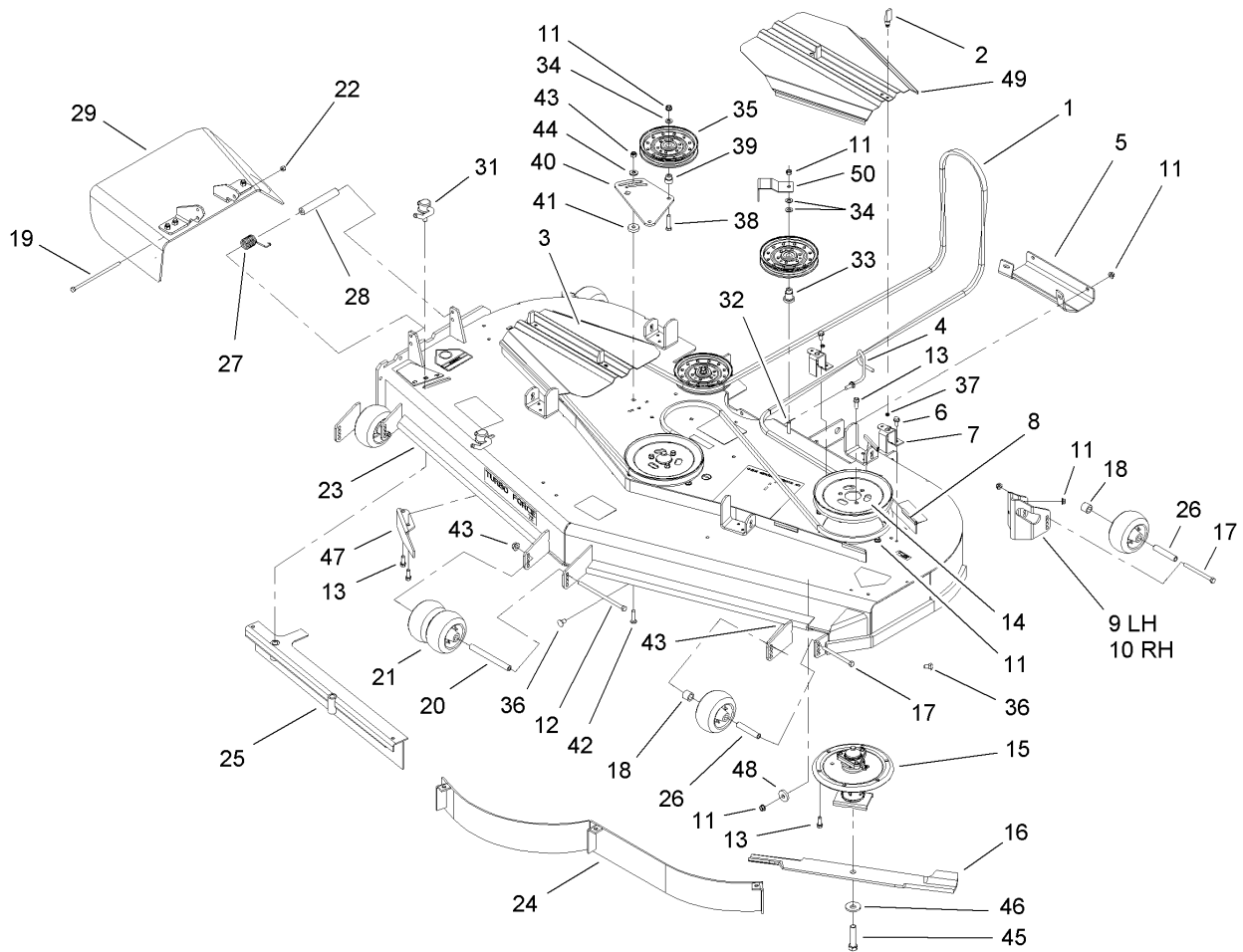
Ref	Part No.	Qty.	Description
1		1	Seat ASM
1:1	107-1880	1	Seat Track Kit
1:2	107-1885	1	Weight Indicator Kit
1:3	107-1881	1	Knob Kit
1:4	107-1883	1	Bottom Cushion Kit
1:5	107-1886	1	Switch Kit
1:6	107-1887	1	Armrest Kit
1:7	107-1884	1	Shock Absorber Kit
1:8	107-1882	1	Back Cushion Kit
4	110-0883	1	Retractable Seatbelt Kit
4:2	3212-4	2	Screw-HH
4:3	3296-7	2	Nut-Lock



Roll-Over-Protection-System Assembly No. 108-1097

Ref	Part No.	Qty.	Description
1		1	Upper Tube ASM
1:2	107-2101	1	Decal-ROPS
1:3	107-2102	1	Decal-Warning, Folding ROPS
2	107-3154	2	Nut-Push
4	103-4553	2	ROPS Fold Pin ASM
5	325-13	2	Screw-HH
6	32128-23	2	Nut-HF
13	106-0887	2	Knob
14	107-3124	2	Clip
16	107-3052-03	1	Seat Support Frame ASM
17	107-3058	1	Catch-Latch, Seat
18	322-3	2	Screw-HH
19	3296-29	2	Nut-Lock, NI
20	3296-39	1	Nut-Lock, NI
23	323-20	1	Screw-HH
24	107-0076	1	Spring-Torsion
25	107-0075	1	Bushing-Latch, Seat
26	103-4434	1	Grip-Lever
28	3256-24	1	Washer-Flat
29	107-3083	1	Latch ASM
34	103-4469	1	Seatbelt Kit
34:2	3212-4	2	Screw-HH
34:3	3296-38	2	Nut-Lock, NI
54		1	Bag-Bolt, ROPS

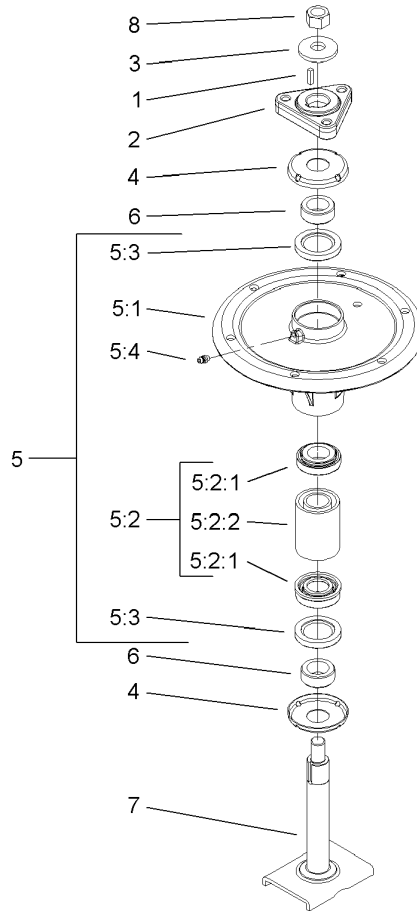
Ref	Part No.	Qty.	Description
54:3	323-6	8	Screw-HH
54:4	98-5975	8	Washer-Belleville
54:5	3290-357	8	Nut-HHF, Whiz



Deck Assembly

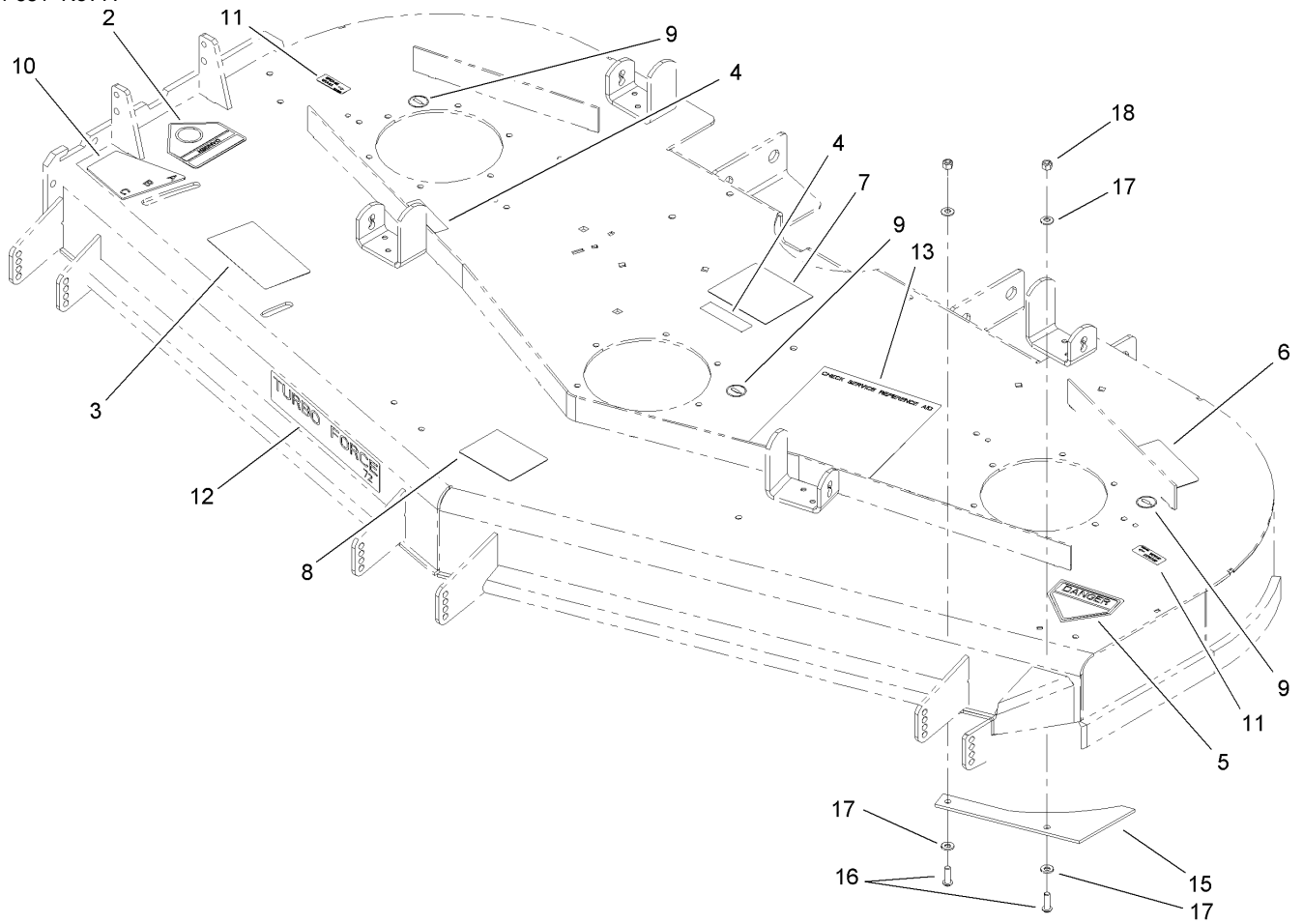
Ref	Part No.	Qty.	Description
1	106-7350	1	Belt
2	74-5950	4	Latch-Swell
3	105-8786-03	1	Cover-Belt
4	106-3220	1	Guide-Belt
5	106-3279-01	1	Plate-Skid
6	32144-70	4	Screw-HH
7	108-4121-01	4	Bracket-Cover
8	105-7699	8	Strip-Seal
9	106-7354-01	1	Plate-Roller, LH
10	106-7355-01	1	Plate-Roller, RH
11	3290-357	38	Nut-HHF, Whiz
12	323-28	1	Screw-HH
13	92-1624	33	Screw
14	105-7733	3	Pulley
15	106-3217	3	Spindle ASM
16	105-7784-03	3	Blade-Hi Flow, 24.5 Inch
17	323-23	4	Screw-HH
18	98-7913	4	Tube-Spacer
19	322-50	1	Screw-HH
20	98-5967	1	Spacer-Wheel
21	1-603299	6	Roller-Scalp, Anti
22	3296-29	1	Nut-Lock, NI
23	107-1625	1	Deck ASM
24	105-7730-01	1	Baffle ASM

Ref	Part No.	Qty.	Description
25	105-7669-01	1	Baffle ASM
26	98-7912	4	Tube-Spanner
27	108-4052	1	Spring-Torsion
28	105-4622	1	Spacer
29	108-2792	1	Rubber Deflector ASM
31	107-1664	2	Lever ASM
32	323-12	2	Screw-HH
33	106-3214	2	Mount-Pulley
34	3256-24	4	Washer-Flat
35	1-633109	3	Idler-Flat
36	3231-1	10	Screw-CARR
37	99-3058	4	Washer
38	323-9	1	Screw-HH
39	1-603496	1	Bushing-Idler
40	105-7787-01	1	Plate-Idler
41	105-7788	2	Spacer
42	3231-4	2	Screw-CARR
43	3296-39	7	Nut-Lock, NI
44	98-5975	1	Washer-Belleville
45	103-0862	3	Screw-Cap
46	103-0865	3	Washer-Blade Bolt, Heavy
47	106-3216-01	1	Baffle-Discharge
48	112843	1	Washer
49	106-3275-03	1	Cover-Belt



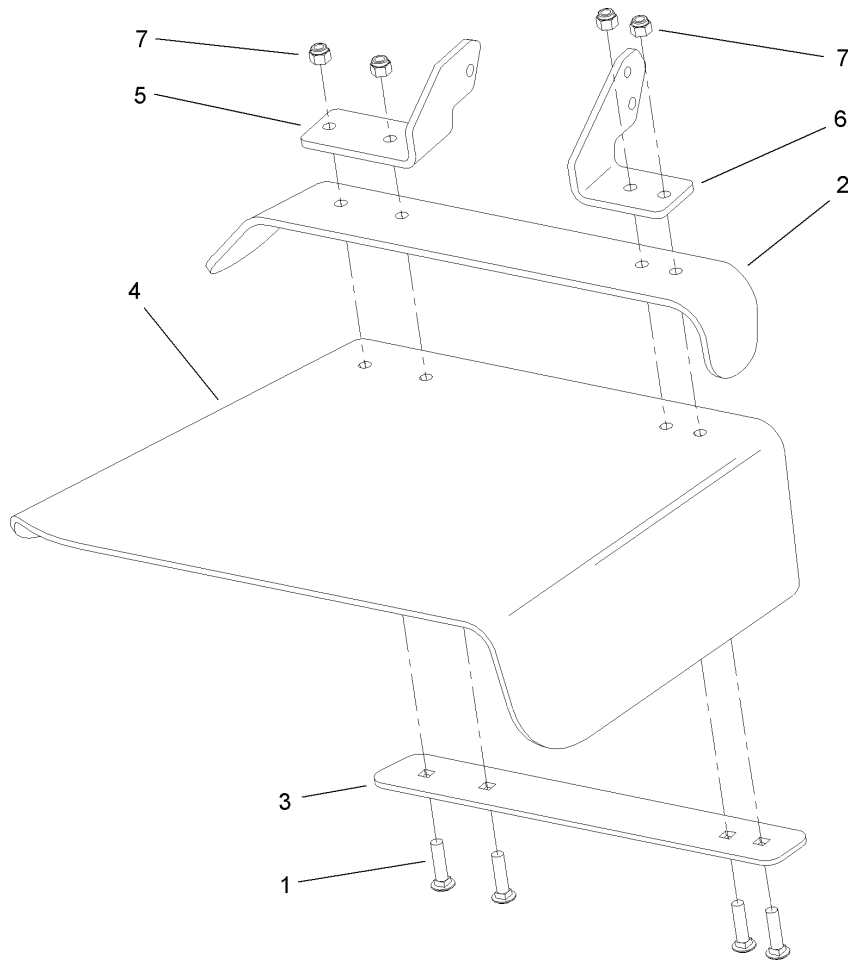
Spindle Assembly No. 106-3217

Ref	Part No.	Qty.	Description	
1	10-8040	1	Key-Square	
2	106-3277	1	Hub-Pulley	
3	103-0865	1	Washer-Blade Bolt, Heavy	
4	106-3204	2	Shield-Bearing	
⑤5		1	Spindle Bearing ASM	
5:1	106-3211	1	Housing-Spindle	
5:2	106-3207	1	Bearing ASM	
5:2:1	27-0960	1	Bearing ASM	
5:2:2	106-3206	1	Spacer-Set, Matched	
5:3	253-133	2	Seal-Oil	
5:4	302-5	1	Fitting-Grease	
6	106-3218	2	Spacer-Seal	
7	106-3233	1	Spindle Shaft ASM	
8	3219-6	1	Nut-Hex	



Deck and Decal Assembly No. 107-1625

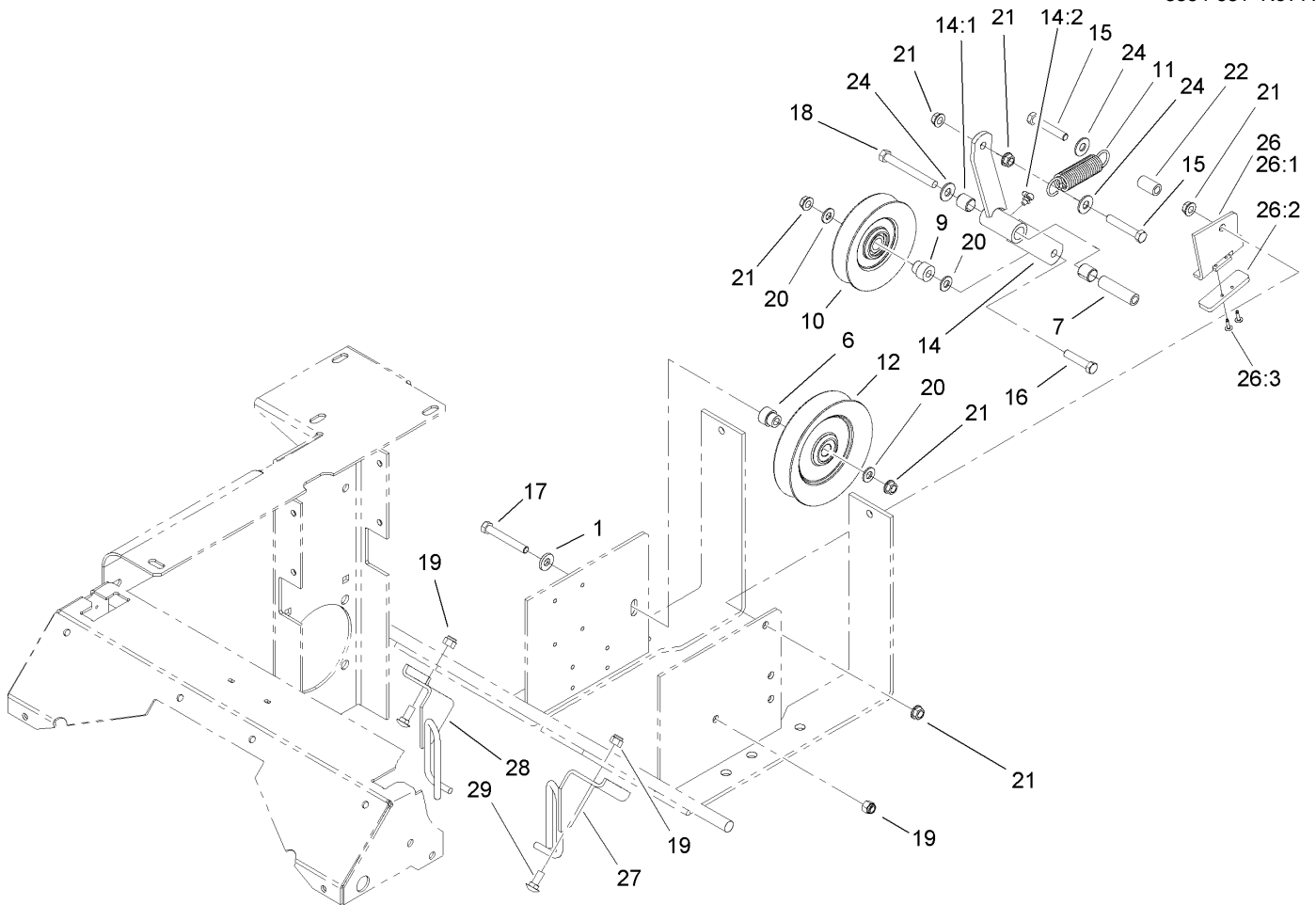
Ref	Part No.	Qty.	Description
2	54-9220	1	Decal-Danger
3	66-1340	1	Decal-Danger
4	98-5954	3	Decal-Missing, Cover
5	1-403005	1	Decal-Danger
6	68-8340	1	Decal-Torque
7	105-7797	1	Decal-Routing, Belt
8	105-7798	1	Decal-Scalp, Anti
9	58-6520	3	Decal-Grease
10	107-1622	1	Decal-Adjustment, Baffle
11	107-1613	2	Decal-Grease
12	107-1620	1	Decal
13	107-1621	1	Decal-Service, Check
15	107-3138	1	Plate-Turbo
16	3274-104	2	Screw-HSBH
17	1-303334	4	Washer-Spring
18	3296-29	2	Nut-Lock, NI



Rubber Deflector Assembly No. 108-2792

Ref	Part No.	Qty.	Description
1	3231-4	4	Screw-CARR
2	106-3246-01	1	Deflector
3	106-3248-03	1	Strap-Discharge
4	108-5029	1	Deflector-Rubber
5	108-4059-01	1	Plate-Hinge, Rear
6	106-3253-01	1	Plate-Hinge, Front
7	3296-39	4	Nut-Lock, NI

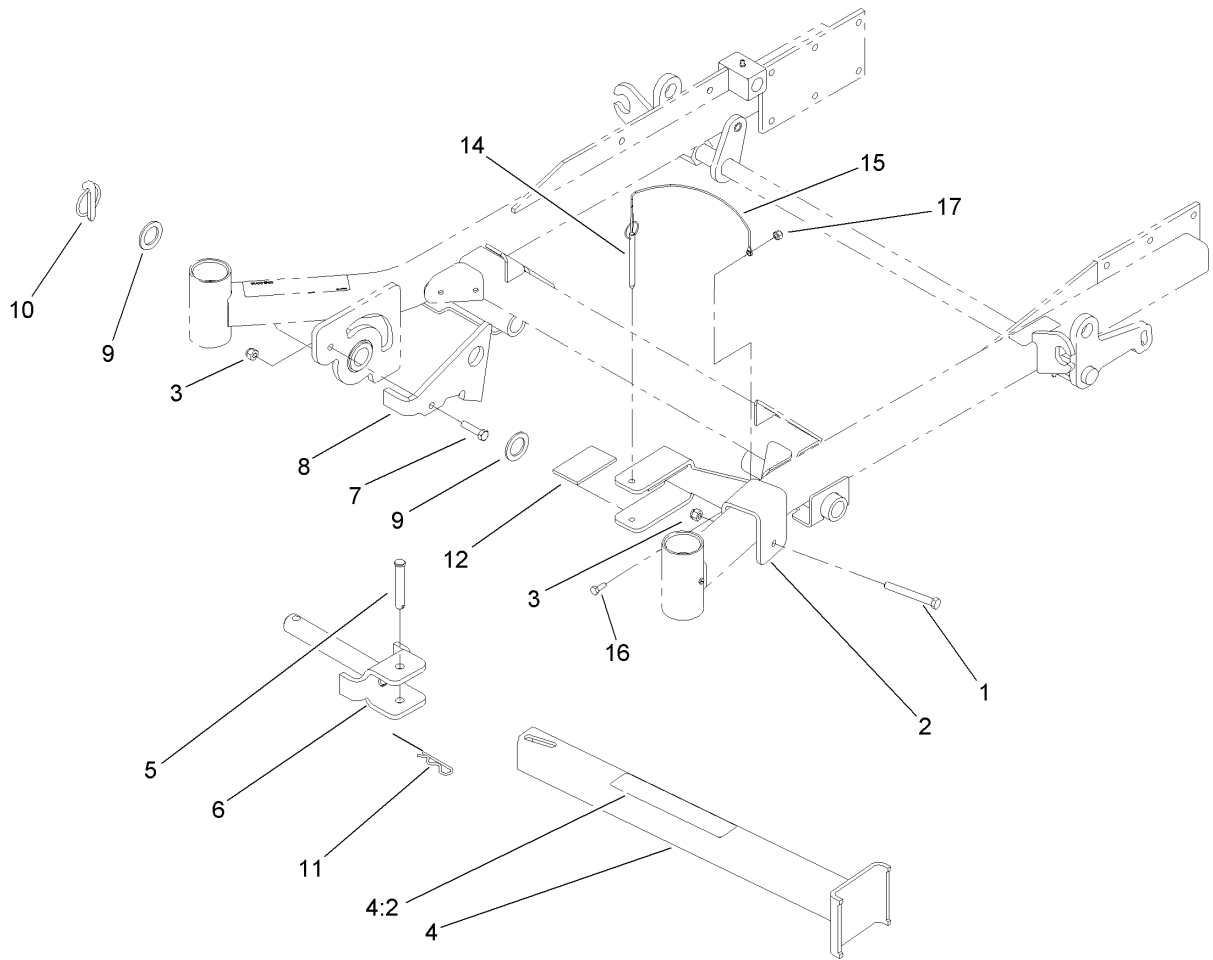
--	--	--	--



Drive Idler Assembly

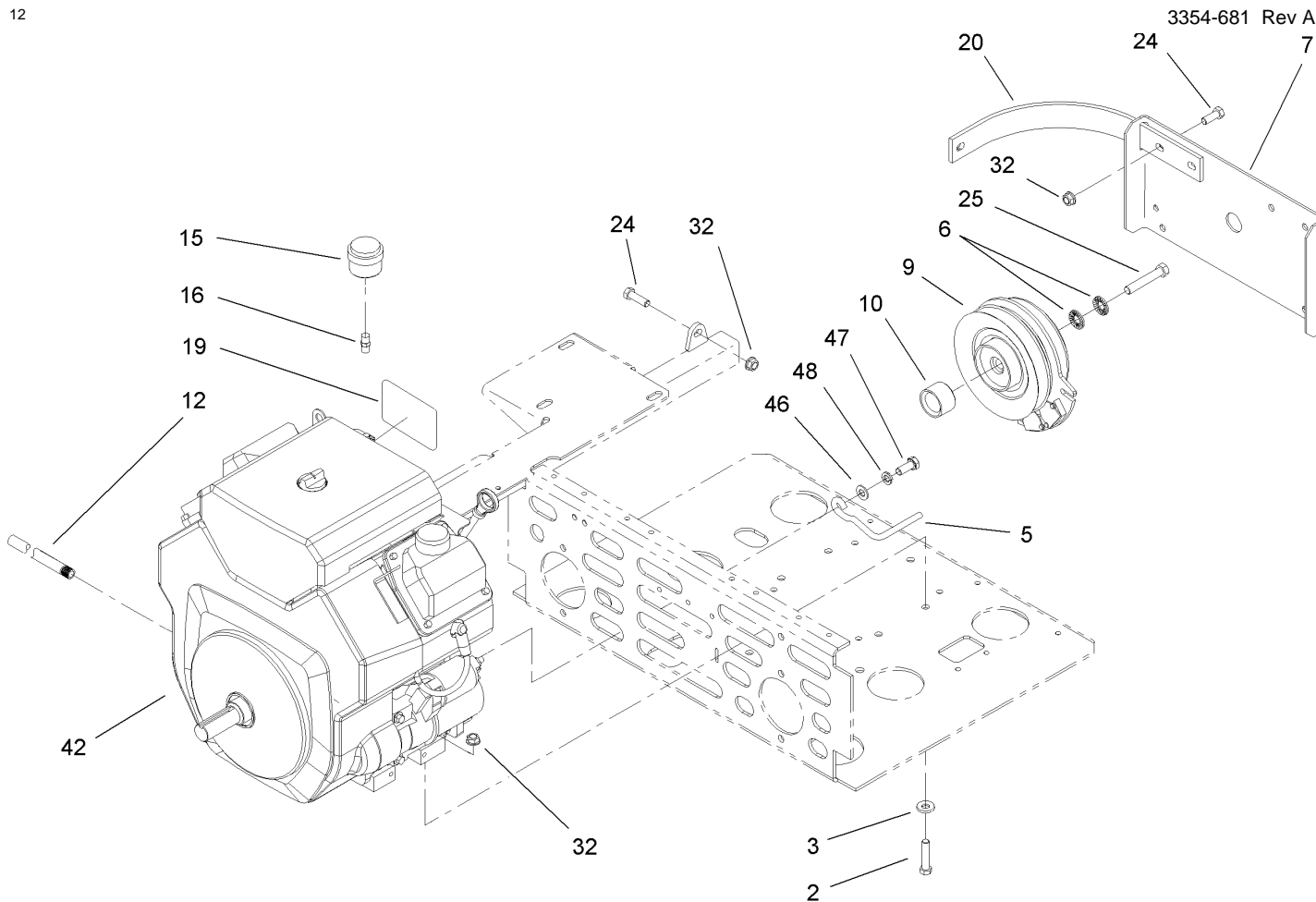
Ref	Part No.	Qty.	Description
1	98-5975	1	Washer-Belleville
6	103-2627	1	Bushing-Idler
7	1-603384	1	Bushing-Pivot, Idler
9	1-603496	1	Bushing-Idler
10	99-4638	1	Idler
11	1-603402	1	Spring-Extension
12	1-633166	1	Pulley-Idler
14	103-3147	1	Arm ASM
14:1	1-513034	2	Sleeve-Bearing
14:2	302-40	1	Fitting-Grease
15	323-12	2	Screw-HH
16	323-9	1	Screw-HH
17	323-13	1	Screw-HH
18	1-800805	1	Screw-HH
19	3296-39	3	Nut-Lock, NI
20	3256-24	3	Washer-Flat
21	3290-357	6	Nut-HHF, Whiz
22	1-603401	1	Spacer-Fender
24	3256-4	3	Washer-Flat
26	106-3271	1	Travel Limiter ASM
26:1	106-3228-03	1	Plate-Limiter, Pulley
26:2	106-3229	1	Pad-Bumper
26:3	3269-24	2	Rivet
27	108-7204-03	1	Guide-Belt, LH

Ref	Part No.	Qty.	Description
28	108-7229-03	1	Guide-Belt, RH
29	3231-2	2	Screw-CARR



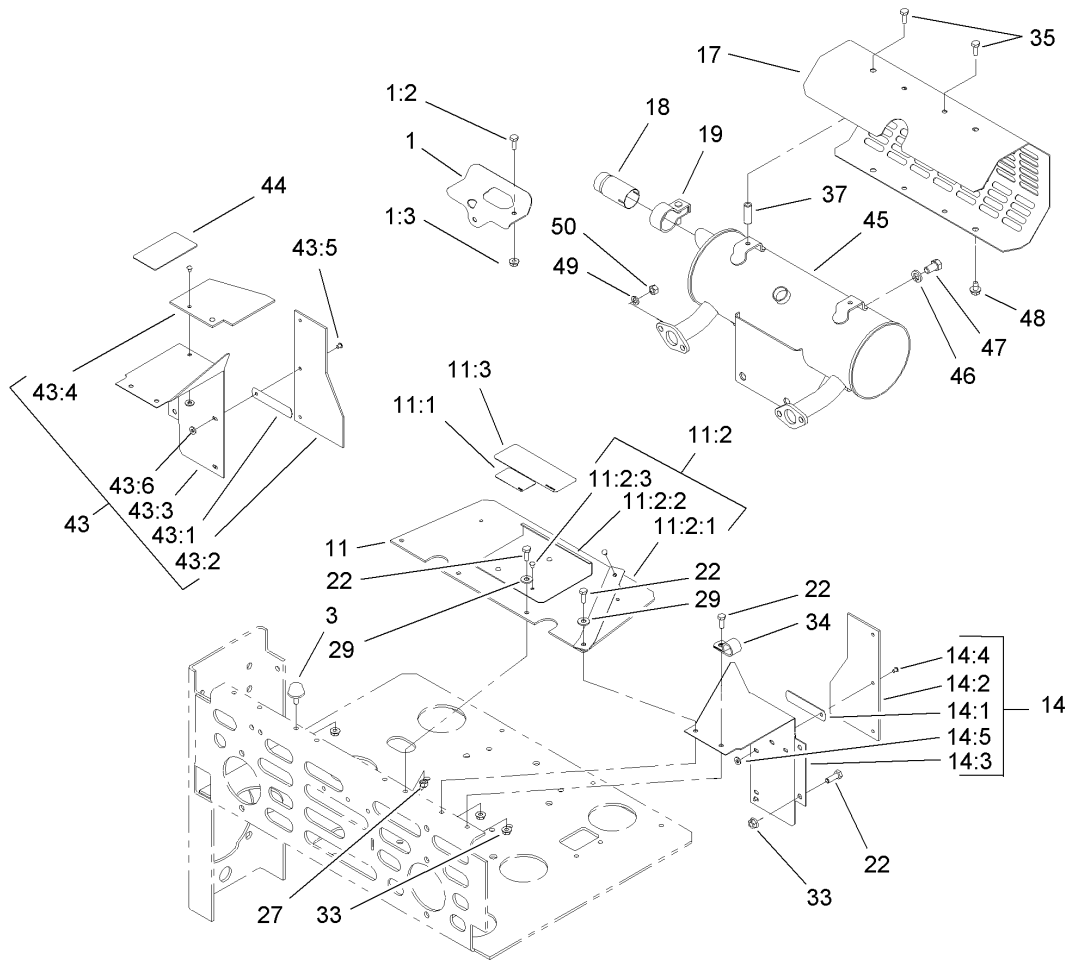
Z-Stand Assembly

Ref	Part No.	Qty.	Description
1	323-20	1	Screw-HH
2	100-6542-01	1	Bracket-Cradle
3	3296-39	2	Nut-Lock, NI
4	107-1874	1	Leg ASM
4:2	106-7464	1	Decal-Z Stand
5	283-55	1	Pin-Clevis
6	100-9692-01	1	Pivot Pin ASM
7	323-8	1	Screw-HH
8	100-9686-01	1	Bracket-Latch
9	3-6781	2	Washer-Thrust
10	283-71	1	Pin-Lynch
11	3290-355	1	Pin-Hair
12	100-6547	2	Cushion-Rubber
14	105-1647	1	Pin-Hitch, Cotterless
15	100-9385	1	Lanyard-Nylon
16	321-4	1	Screw-HH
17	3296-42	1	Nut-Lock, NI



Engine and Clutch Assembly

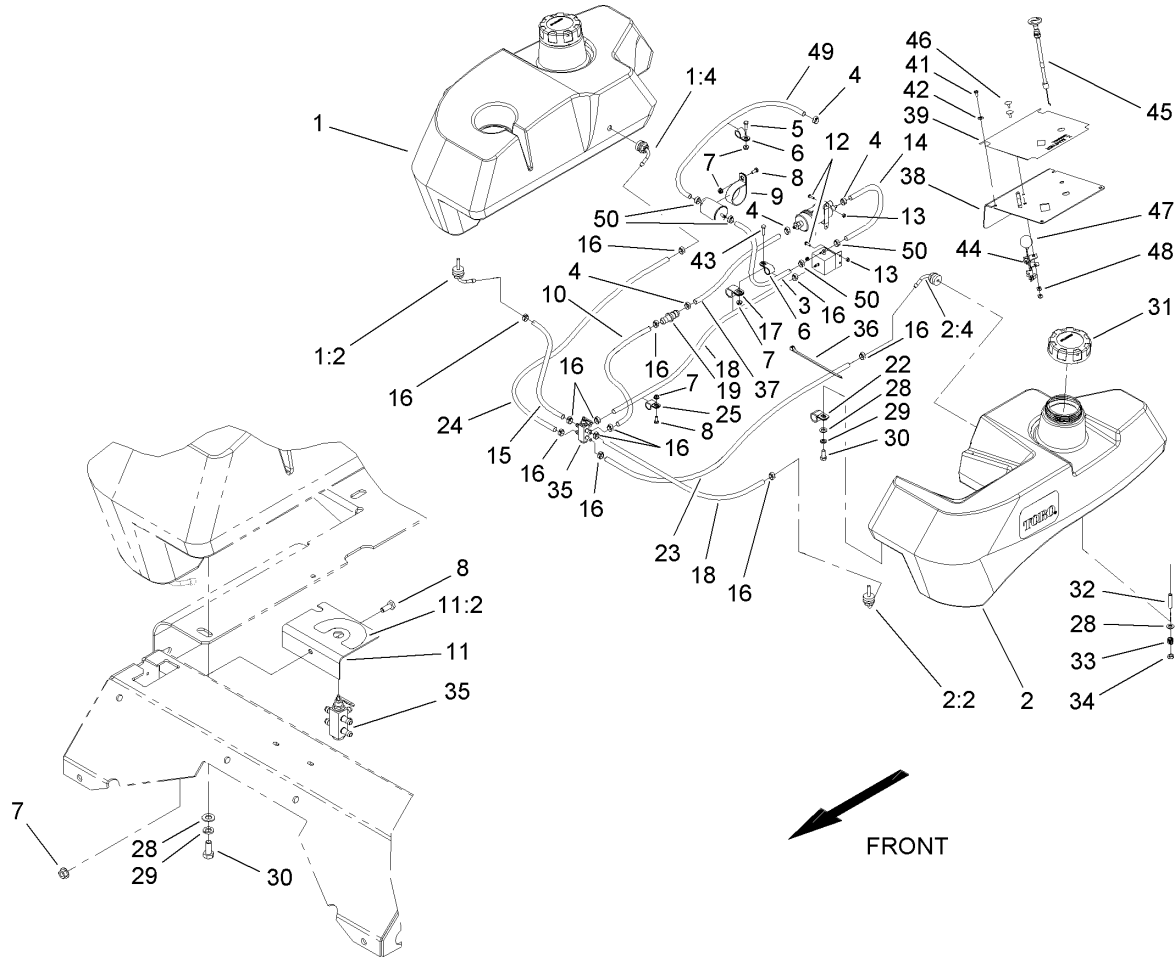
Ref	Part No.	Qty.	Description
2	323-9	4	Screw-HH
3	98-5975	4	Washer-Belleville
5	52-4780	1	Rod-Belt
6	1-603610	2	Washer-Spring
7	1-633615-03	1	Guard-Clutch
9	103-6579	1	Clutch
10	1-633179	1	Spacer-Clutch
12	106-7022	1	Tube-Drain, Oil
15	104-7755	1	Indicator-Filter, Air
16	94-1416	1	Indicator Adapter ASM
19	103-3270	1	Decal
20	103-7454-03	2	Strap-Guard
24	323-6	6	Screw-HH
25	3212-10	1	Screw-HH
32	3290-357	4	Nut-HHF, Whiz
42		1	Engine-Kohler, Ch745-0003
46	3256-24	1	Washer-Flat
47	323-6	1	Screw-HH
48	98-5975	1	Washer-Belleville



Muffler and Guard Assembly

Ref	Part No.	Qty.	Description
1	103-3535	1	Cable Heat Shield Kit
1:2	321-4	1	Screw-HH
1:3	32128-33	1	Nut-HF
3	1-523420	2	Bumper
11	1-644276	1	Shield ASM
11:1	1-633462	1	Decal-Important
11:2	1-634308	1	Shield / Lift ASM
11:2:1	103-1308	1	Shield-Engine
11:2:2	1-633300-03	1	Lift-Shield
11:2:3	1-803035	3	Rivet-Pop
11:3	103-5881	1	Decal-Devices, Rotating
14	1-634796	1	LH Shield ASM
14:1	1-523285	1	Clip-Baffle, Rear
14:2	1-633301	1	Shield-Engine
14:3	1-633795-03	1	Baffle-Engine Shield, LH
14:4	1-803035	3	Rivet-Pop
14:5	3256-63	3	Washer-Flat
17	1-643313-03	1	Guard-Muffler
18	103-1513	1	Arrester-Spark
19	103-1514	1	Clamp-Muffler
22	321-4	10	Screw-HH
27	3296-42	5	Nut-Lock, NI
29	3256-2	4	Washer-Flat
33	32128-33	9	Nut-HF

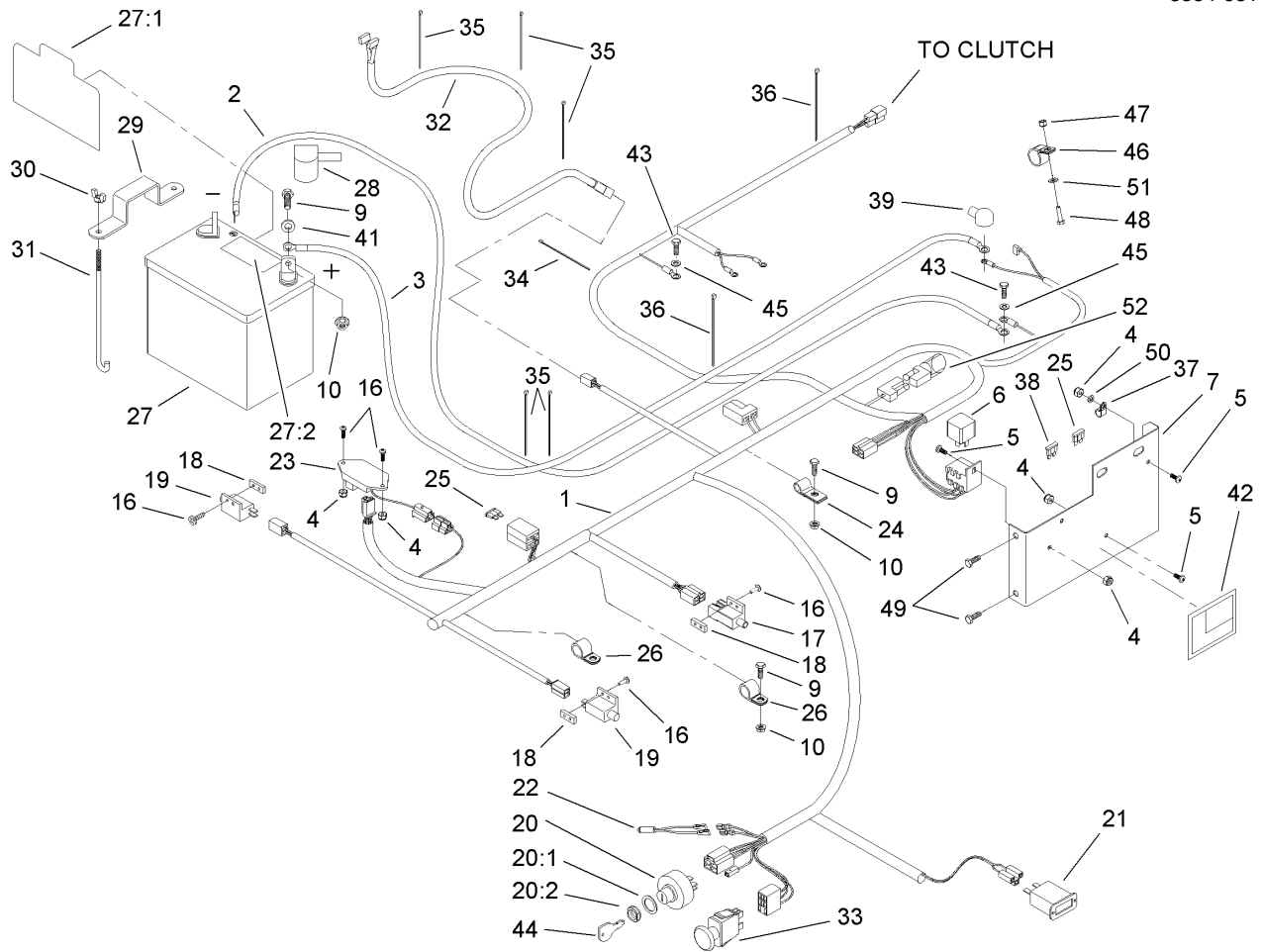
Ref	Part No.	Qty.	Description
34	1-633396	1	Clip-Loom
35	1-809108	2	Screw-HWH
37	1-323236	2	Spacer
43	1-644316	1	RH Shield ASM
43:1	1-523285	1	Clip-Baffle, Rear
43:2	1-633301	1	Shield-Engine
43:3	1-633794-03	1	Shield-RH
43:4	1-643315	1	Baffle-Cooler, Engine
43:5	1-803035	5	Rivet-Pop
43:6	3256-63	5	Washer-Flat
44	1-643339	1	Decal-Routing, Belt
45	103-7481	1	Muffler
46	3253-6	2	Washer-Lock
47	324-2	2	Screw-HH
48	9266934	2	Screw
49	1-805005	4	Washer-Lock
50	33014-00	4	Nut-Hex



Fuel Assembly

Ref	Part No.	Qty.	Description
1	105-3641	1	RH Fuel Tank ASM
1:2	103-2605	1	Fitting-Fuel, Bulkhead
1:4	103-2615	1	Fitting-Fuel, Bulkhead
2	105-3642	1	LH Fuel Tank ASM
2:2	103-2605	1	Fitting-Fuel, Bulkhead
2:4	103-2615	1	Fitting-Fuel, Bulkhead
3	103-8279	1	Hose, Fuel
4	1-643277	4	Clamp-Hose, Fuel
5	321-4	1	Screw-HH
6	1-603727	2	Clip-Loom
7	32128-33	5	Nut-HF
8	321-3	4	Screw-HH
9	1-643241	1	Clip-Loom
10	99-7190	1	Hose-Fuel
11	107-2115	1	Fuel Valve Bracket ASM
11:2	107-2114	1	Decal-Valve, Fuel
12	3290-500	6	Screw-PPH
13	3296-2	6	Nut-Lock
14	103-2490	1	Hose-Fuel
15	103-2944	1	Hose-Fuel
16	1-643293	12	Clamp-Hose, Fuel
17	1-643312	1	Clip-Loom
18	63-7722	2	Hose-Fuel
19	103-2595	1	Connector

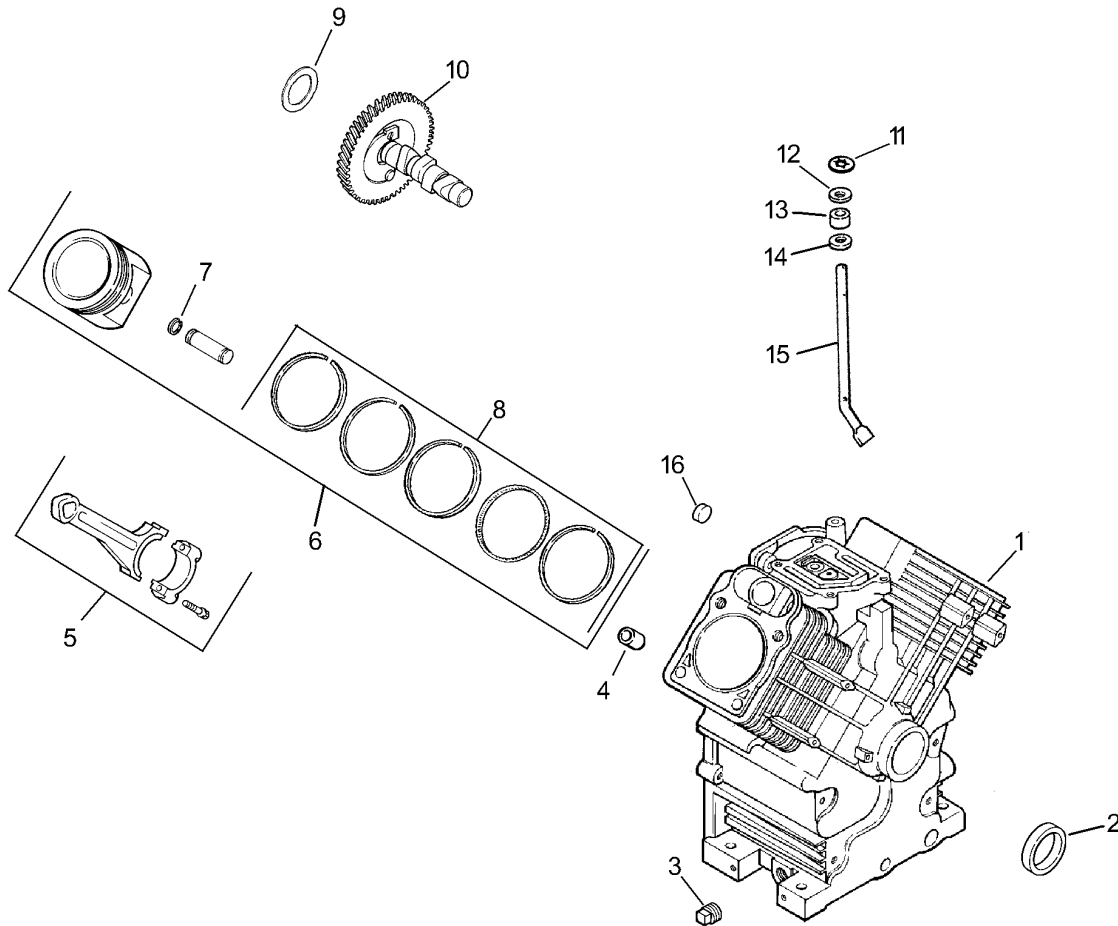
Ref	Part No.	Qty.	Description
22	103-0373	1	Clip
23	107-1889	1	Hose-Fuel
24	99-7191	1	Hose-Fuel
25	1-513762	3	Clip-Loom
28	3256-23	8	Washer-Flat
29	1-805005	2	Washer-Lock
30	322-3	2	Screw-HH
31	109-0346	2	Cap-Fuel, Gas
32	1-633023	6	Stud
33	1-633349	6	Spring-Tank, Fuel
34	3296-47	6	Nut-Lock, NI
35	1-643234	1	Valve-Fuel, Dual Flow
36	1-303287	6	Tie-Plastic
37	93-5484	1	Hose-Fuel
38	107-8079-03	1	Panel-Control
39	106-9969	1	Decal-Panel, Control
41	3251-1	4	Screw-PPH
42	1-303435	4	Washer-Spring
43	321-6	1	Screw-HH
44	107-8073	1	Cable-Throttle
45	106-9962	1	Control-Choke, Push / Pull
46	1-807513	2	Bolt-CARR
47	1-513592	1	Knob-Ball
48	3296-2	2	Nut-Lock



Electrical Assembly

Ref	Part No.	Qty.	Description
1	106-7495	1	Harness-Wire
2	1-633307	1	Wire-Ground
3	1-523279	1	Wire-Battery, Positive
4	3296-2	8	Nut-Lock
5	3251-1	4	Screw-PPH
6	1-643275	2	Relay
7	103-7455-03	1	Panel-Efi
9	321-4	6	Screw-HH
10	32128-33	6	Nut-HF
16	3290-500	6	Screw-PPH
17	1-633111	1	Switch
18	1-633181	3	Plate-Tapped
19	1-513051	2	Switch-Open, Normally
20	88-9830	1	Key Switch ASM
20:1	3254-5	1	Washer-Tooth
20:2	218-461	1	Nut-HH
21	1-513374	1	Meter-Hour
22	1-643267	1	Indicator-Led, Red
23	100-6186	1	Module-Delay, Seat
24	1-513762	2	Clip-Loom
25	1-816001	2	Fuse-Blade Type, 20 Amp
26	103-0373	1	Clip
27	105-1692	1	Battery
27:1	104-4163	1	Decal-Battery

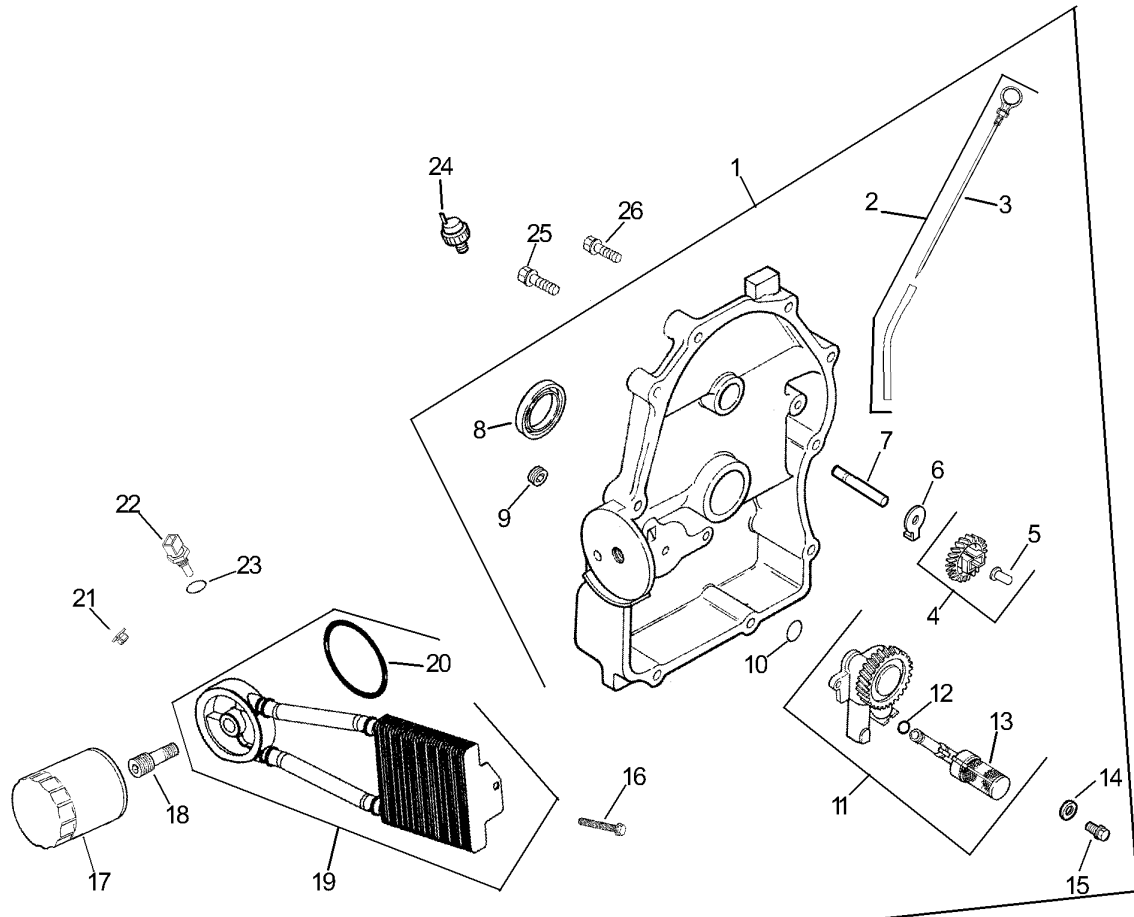
Ref	Part No.	Qty.	Description
27:2	104-4164	1	Decal-Battery
28	1-543391	1	Insulator-Battery
29	1-633652-03	1	Strap-Holddown
30	1-543792	2	Wingnut
31	1-633651	2	Bolt-Holddown
32	103-1227	1	Harness-Wiring, Seat
33	1-633673	1	Switch-Delta
34	1-303287	2	Tie-Plastic
35	1-303335	5	Tie-Plastic
36	1-643115	2	Tie-Plastic
37	1-323229	1	Clip-Loom
38	1-816002	1	Fuse-Blade Type, 10 Amp
39	1-543393	1	Insulator-Solenoid
41	3256-2	2	Washer-Flat
42	103-2750	1	Decal-Relay / Fuse
43	33114-016	2	Screw-HH
44	63-8360	2	Key-Ignition
45	3256-23	2	Washer-Flat
46	1-643312	1	Clip-Loom
47	3296-42	1	Nut-Lock, NI
48	321-6	1	Screw-HH
49	32105-20	2	Screw-HH
50	3256-14	2	Washer-Flat
51	3256-22	2	Washer-Flat



Crankcase Assembly Kohler CH745-0003

Ref	Part No.	Qty.	Description
1		1	Crankcase
2	24 032 01-S	1	Seal-Oil, Front
3	25 139 57-S	2	Plug-SQH (3/8In NPTF)
4	24 380 13-S	6	Pin-Locating
5	24 067 13-S	2	Rod-Connecting (STD)
6	24 067 14-S	2	Rod-Connecting (.25)
7	24 874 08-S	2	Piston W/Ring Set (STD.) (Includes 7,8)
8	24 874 16-S	2	Piston W/Ring Set (.08)
9	24 874 20-S	2	Piston W/Ring Set (.25)
10	24 874 21-S	2	Piston W/Ring Set (.50)
11	24 018 01-S	4	Retainer-Pin, Piston
12	24 108 04-S	2	Set-Ring (STD And .08)
13	24 108 06-S	2	Ring Set (.25)
14	24 108 07-S	2	Ring Set (.50)
15	12 422 09-S	0	Shim-Camshaft, Red
16	12 422 13-S	0	Shim-Camshaft, Black
17	12 422 07-S	0	Shim-Camshaft, White
18	12 422 08-S	0	Shim-Camshaft, Blue
19	12 422 18-S	1	Shim, Camshaft-Yellow
20	12 422 11-S	0	Shim-Camshaft, Green
21	12 422 12-S	0	Shim-Camshaft, Gray
22	24 012 10-S	1	Camshaft
23	24 018 09-S	1	Retainer-Ring

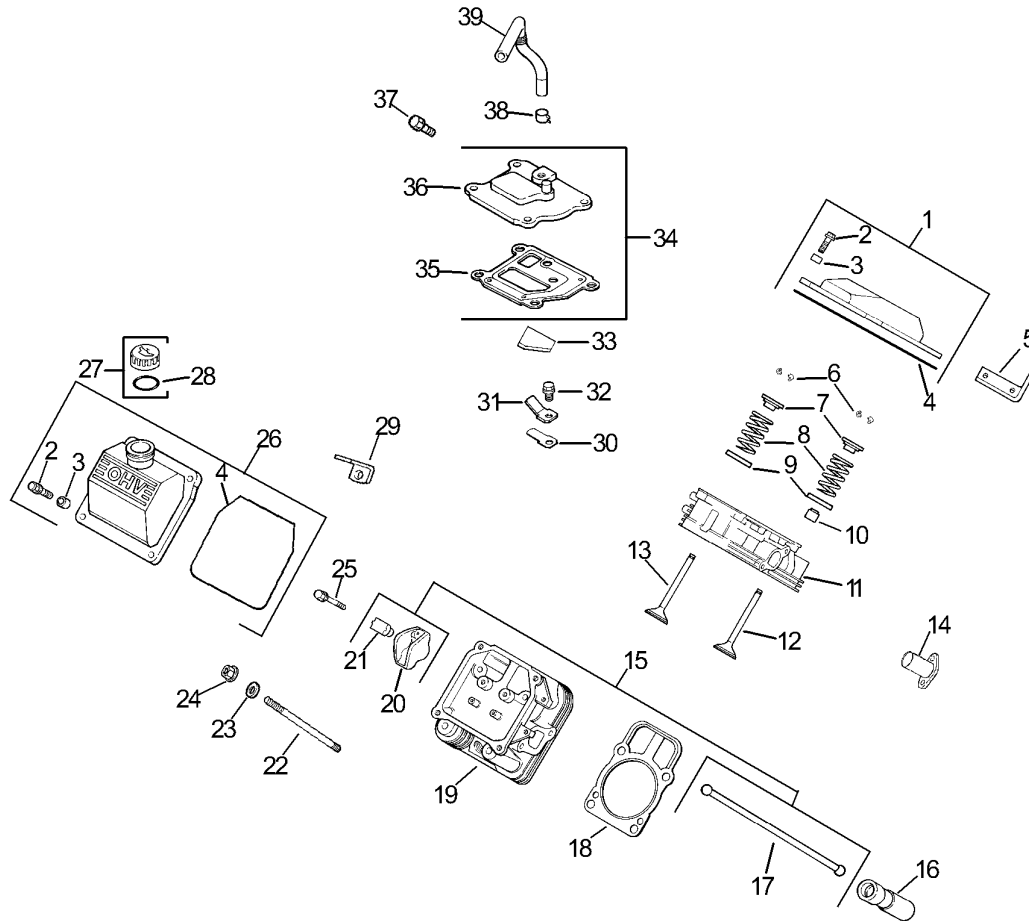
Ref	Part No.	Qty.	Description
24	M-931010-S	1	Washer-Plain
25	28 032 09-S	1	Seal-Cross Shaft, Governor
26	24 468 15-S	1	Washer-Flat
27	24 144 38-S	1	Shaft-Cross, Governor
28	52 139 09-S	1	Plug-Cup



Oil Pan/Lubrication Assembly Kohler CH745-0003

Ref	Part No.	Qty.	Description
1	24 009 83-S	1	Plate Assembly, Closure (Includes 2-15)
2	24 755 121-S	1	Kit, Dipstick And Tube (Includes 3)
3	24 038 10-S	1	Dipstick
4	24 043 12-S	1	Kit, Governor Gear (Includes 5)
5	12 380 01-S	1	Pin-Regulating, Governor
6	24 448 01-S	1	Tab, Locking
7	12 144 02-S	1	Shaft-Gear, Governor
8	52 032 08-S	1	Seal-Oil
9	25 139 60-S	1	Plug-Pipe, 1/8In Allen Head
10	24 153 08-S	1	O-Ring
11	24 393 37-S	1	Pump Assembly, Oil (Includes 12,13)
12	24 153 01-S	1	O-Ring (Oil Pick Up)
13	24 381 04-S	1	Pick Up-Oil
14	M-631005-S	2	Washer-Plain (6Mm)
15	M-645025-S	1	Screw-HF (M6X1.0X25)
16	25 086 49-S	2	Screw-Tapping, 1/4-1X3/4"
17	52 050 02-S	1	Filter-Oil
18	24 136 05-S	1	Nipple-Filter, Oil
19	24 594 31-S	1	Cooler, Oil (Includes 20)
20	24 153 21-S	1	O-Ring
21	24 100 01-S	2	Nut-Plastic
22	24 418 12-S	1	Sensor-Temperature

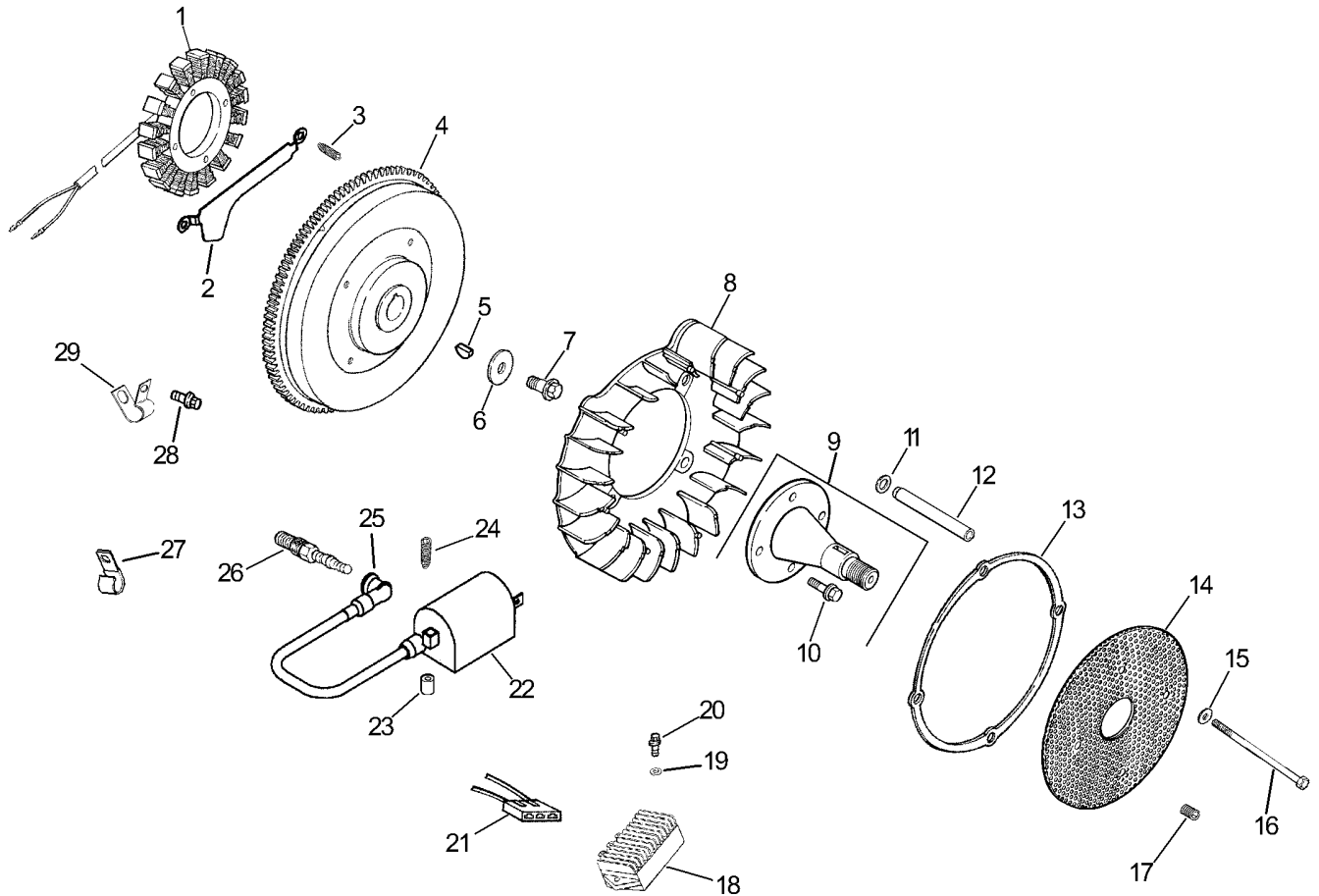
Ref	Part No.	Qty.	Description
23	12 153 04-S	1	O Ring-Oil Pick-Up
24	24 099 03-S	1	Switch-Pressure
25	24 086 16-S	9	Screw-HF (M8X1.25X45)
26	24 086 17-S	1	Screw-HF (M8X1.25X45)
27	24 113 25-S	1	Decal-Cooler, Oil



Head/Valve/Breather Assembly Kohler CH745-0003

Ref	Part No.	Qty.	Description
1	24 755 74-S	1	Kit, Valve Cover-Plain (Includes 2-4)
2	M-651030-S	4	Screw-HF (M6X1.0X30)
3	24 112 08-S	4	Spacer
4	24 153 23-S	1	O-Ring
5	24 445 01-S	1	Strap-Lifting
6	12 755 03-S	4	Retainer Kit
7	12 173 01-S	4	Cap-Spring, Valve
8	24 089 02-S	4	Spring-Valve
9	235011-S	4	Retainer-Spring
10	66 032 05-S	4	Seal-Stem, Valve
11	24 318 65-S	1	Head ASM
12	24 017 01-S	2	Valve-Intake (STD)
13	24 017 02-S	2	Valve-Intake (.25)
14	24 016 01-S	2	Valve-Exhaust (STD)
15	24 016 02-S	2	Valve-Exhaust (.25)
16	24 605 01-S	1	Liner-Port, Exhaust
17	24 755 66-S	1	Kit, Valve Train (Includes 17,20,21)
18	25 351 01-S	4	Lifter-Valve
19	24 411 05-S	4	Rod-Push
20	24 041 37-S	2	Gasket-Head, Cylinder
21	24 318 66-S	1	Head ASM
22	25 186 01-S	4	Arm-Rocker

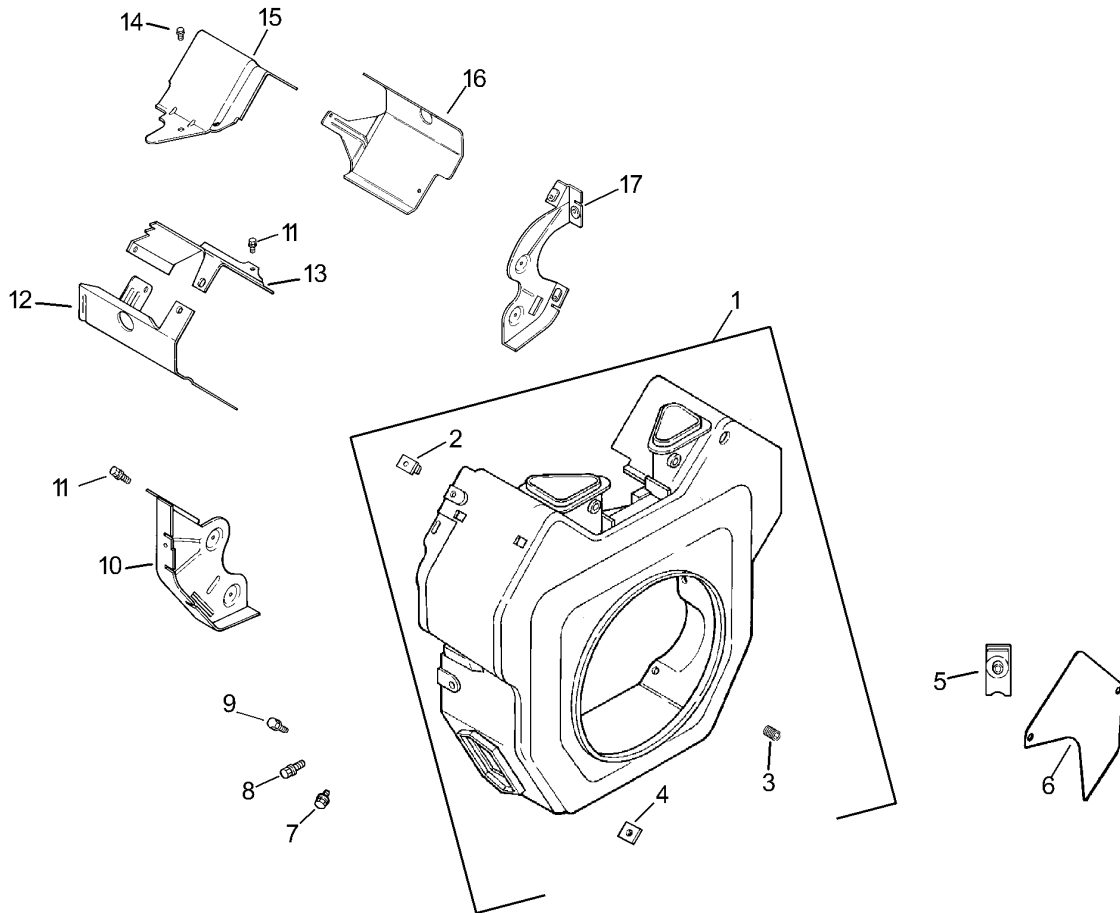
Ref	Part No.	Qty.	Description
21	24 599 01-S	2	Pivot-Arm, Rocker
22	24 072 09-S	8	Stud-Head, Cylinder
23	24 468 16-S	8	Washer
24	24 100 10-S	8	Nut-HF (M8X1.25)
25	M-640034-S	4	Screw-HF (M6X1.0X34)
26	24 755 75-S	1	Kit, Valve Cover-Oil Fill (Includes 2-4)
27	24 755 46-S	1	Kit, Oil Fill Cap (Includes 28)
28	25 153 02-S	1	O-Ring
29	12 445 05-S	1	Strap-Lifting
30	24 402 03-S	1	Reed-Breather
31	66 018 04-S	1	Retainer-Reed, Breather
32	M-545010-S	1	Screw-HF (M5X0.8X10)
33	24 050 01-S	1	Filter-Breather
34	24 033 01-S	1	Kit, Breather (Includes 35,36)
35	24 041 50-S	1	Gasket, Breather
36	24 096 86-S	1	Cover-Breather
37	M-645020-S	4	Screw-HF (M6X1.0X20)
38	24 326 68-S	1	Hose-Breather
39	25 452 01-S	1	Terminal



Ignition/Electrical Assembly Kohler CH745-0003

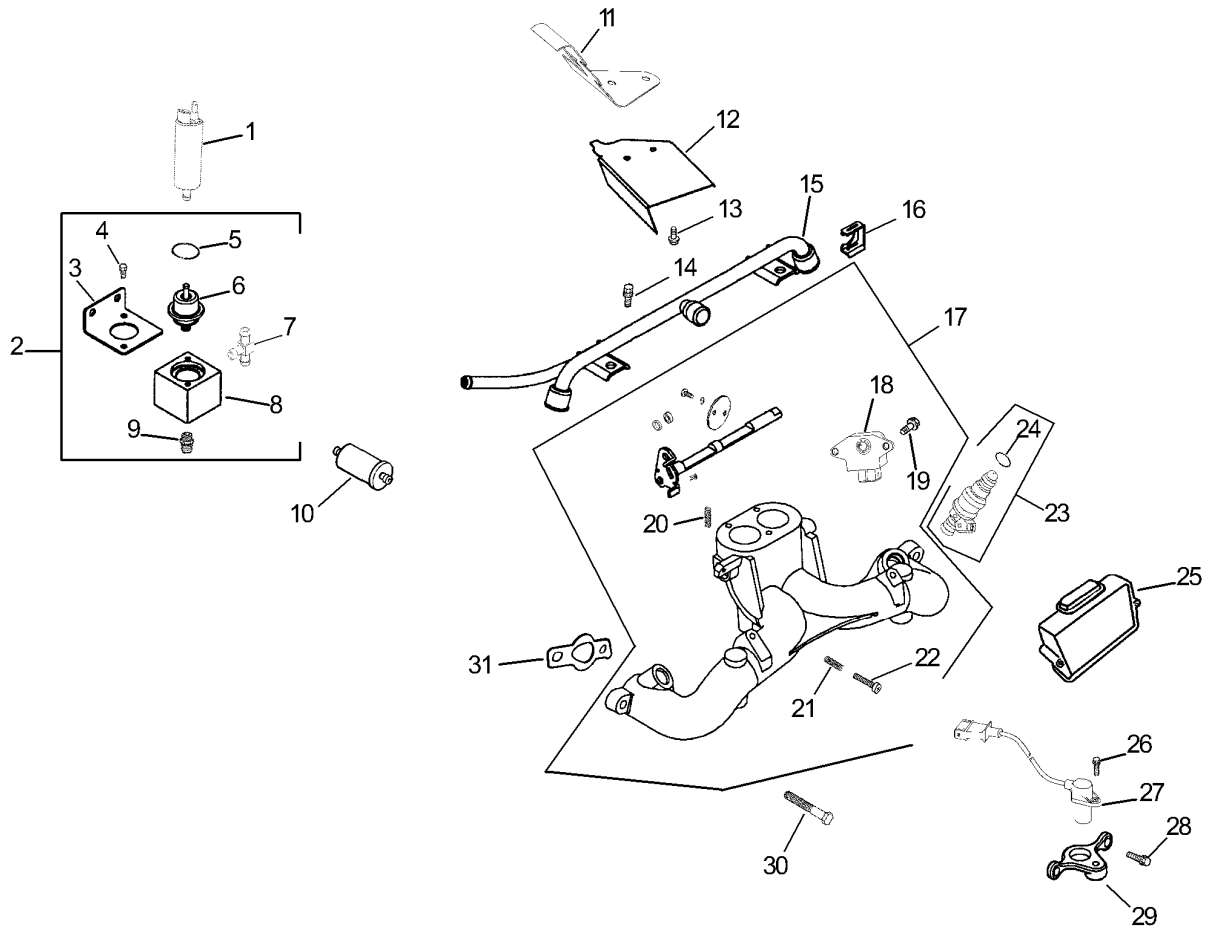
Ref	Part No.	Qty.	Description
1	28 085 02-S	1	Kit, Stator W/Connectors (Includes 2,40)
2	25 086 29-S	2	Screw-Tapping
3	24 126 71-S	1	Bracket-Wire, Stator
4	24 025 09-S	1	Flywheel
5	X-42-15-S	1	Key
6	12 468 03-S	1	Washer-Plain (3/8In)
7	12 086 14-S	1	Screw-HF (M10X1.5X46)
8	24 157 04-S	1	Fan
14	24 755 08-S	1	Kit, Front Drive Shaft (Includes 10)
10	M-839025-S	4	Screw-HF (M8X1.25X25)
11	24 468 11-S	4	Washer-Spring
12	24 112 14-S	4	Spacer
13	24 141 06-S	2	Ring-Support
14	24 162 22-S	1	Screen-Grass
15	X-25-53-S	4	Washer-Plain, 1/4In
16	M-603100-S	4	Screw-HH (M6X1.0X100)
17	25 086 43-S	1	Screw-Set
18	25 403 05-S	1	Rectifier-Regulator (15 Amp)
19	X-25-92-S	2	Washer-Plain
20	24 086 18-S	1	Screw-Head, Phillips
21	236602-S	1	Connector
22	24 519 02-S	2	Coil-Ignition

Ref	Part No.	Qty.	Description
23	24 112 16-S	4	Spacer
24	24 086 48-S	4	Screw-Tapping
25	24 131 02-S	1	Spark Plug Boot ASM
26	12 132 06-S	2	Spark Plug
27	48 154 02-S	1	Clip-Cable
28	M-545016-S	1	Screw-HF (M5X0.8X16)
29	25 237 06-S	1	Clamp-Hose
19	24 100 01-S	2	Nut-Plastic
19	24 518 12-S	1	Lead-Black
19	X-22-11-S	1	Washer-Lock (1/4In)
19	12 454 03-S	1	Tie-Wire



Blower Housing and Baffle Assembly Kohler CH745-0003

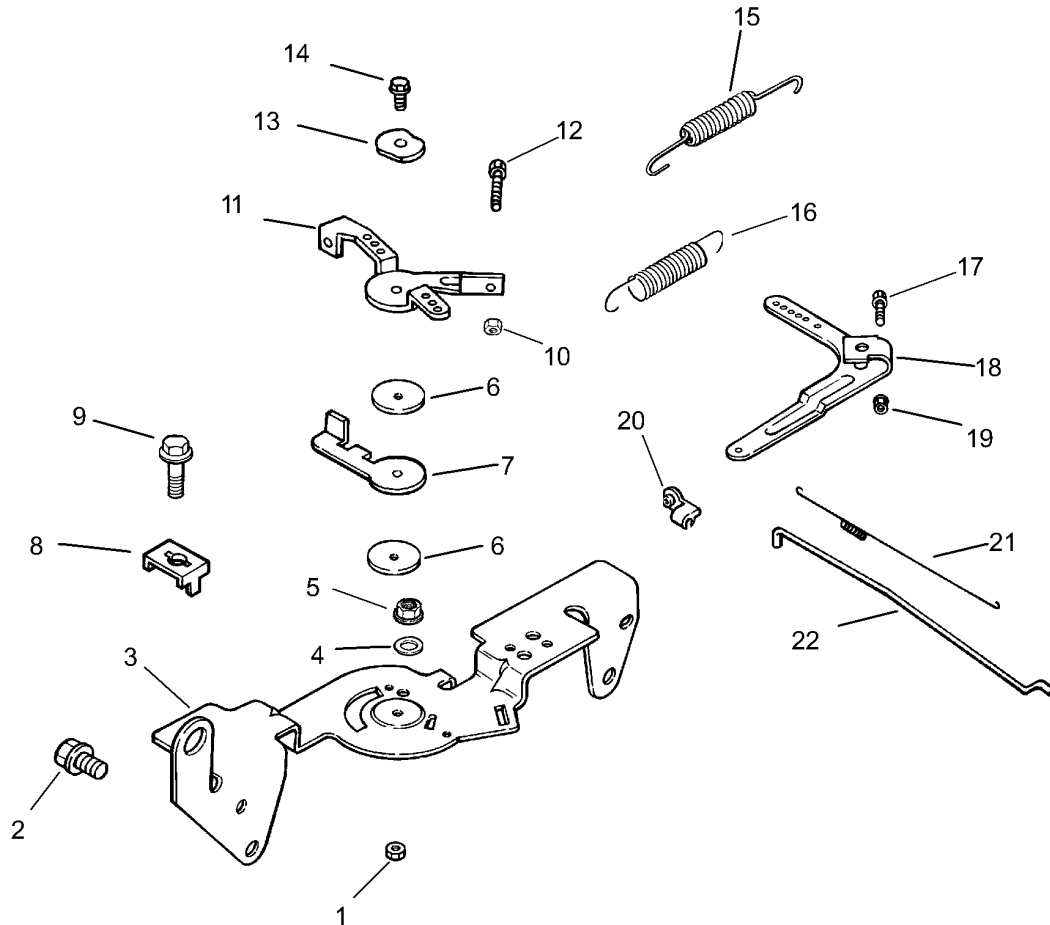
Ref	Part No.	Qty.	Description				
1	24 027 167-S	1	Housing, Blower (Includes 2-5)				
2	24 100 02-S	1	Nut-Plastic				
3	25 086 43-S	1	Screw-Set				
4	24 100 01-S	4	Nut-Plastic				
5	25 154 02-S	4	Clip				
6	24 096 63-S	2	Panel-Access				
7	M-551016-S	1	Screw-HF (M5X0.8X16)				
8	M-545016-S	1	Screw-HF (M5X0.8X16)				
9	M-545020-S	1	Screw-HF (M5X0.8X20)				
10	24 146 19-S	1	Plate-Backing (No. 2 Side)				
11	M-645016-S	10	Screw-HF (M6X1.0X16)				
12	24 063 39-S	1	Baffle-Barrel, Cylinder (No. 2 Side)				
13	24 063 17-S	1	Baffle-Valley (No. 2 Side)				
14	M-545010-S	2	Screw-HF (M5X0.8X10)				
15	24 063 59-S	1	Baffle-Valley (No. 1 Side)				
16	24 063 58-S	1	Baffle-Barrel, Cylinder (No. 1 Side)				
17	24 146 20-S	1	Plate-Backing (No. 1 Side)				
15	X-22-11-S*	1	Washer-Lock, 1/4In				
4							
14	M-561016-S	1	Screw				
14	24 113 125-S	1	Decal, 26 Hp				



Fuel System Assembly Kohler CH745-0003

Ref	Part No.	Qty.	Description
④1	24 393 20-S	1	Pump Assembly, Fuel(Includes 24 050 06-S)
④2	24 403 12-S	1	Regulator Assembly, Fuel Pressure (Includes 3-9)
④3	24 126 86-S	1	Bracket-Regulator,Horizontal
④4	M-410010-S	2	Screw-HH
④5	24 153 18-S	1	O-Ring
④6	24 403 02-S	1	Regulator-Pressure
④7	24 294 15-S	1	Fitting-Tee
④8	24 081 12-S	1	Housing-Regulator,Horizontal
④9	25 326 03-S	1	Connector-Hose, Straight
④10	24 050 03-S	1	Filter-Fuel
④11	24 063 37-S	1	Baffle-Valley
④12	24 265 08-S	1	Deflector-Air
④13	M-545010-S	2	Screw-HF (M5X0.8X10)
④14	M-639010-S	1	Screw-HF
④15	24 399 04-S	1	Rail-Fuel
④16	24 154 05-S	2	Clip-Injector, Fuel
④17	24 164 84-S	1	Manifold Assembly, Intake (Includes 18-22 & 25 454 03-S)
④18	24 418 06-S	1	Sensor-Position,Throttle
④19	M-442012-S	2	Screw-Head, Pan
④20	24 086 49-S	1	Screw-Set
④21	12 089 11-S	1	Spring-Control, Speed
④22	M-442025-S	1	Screw-HH

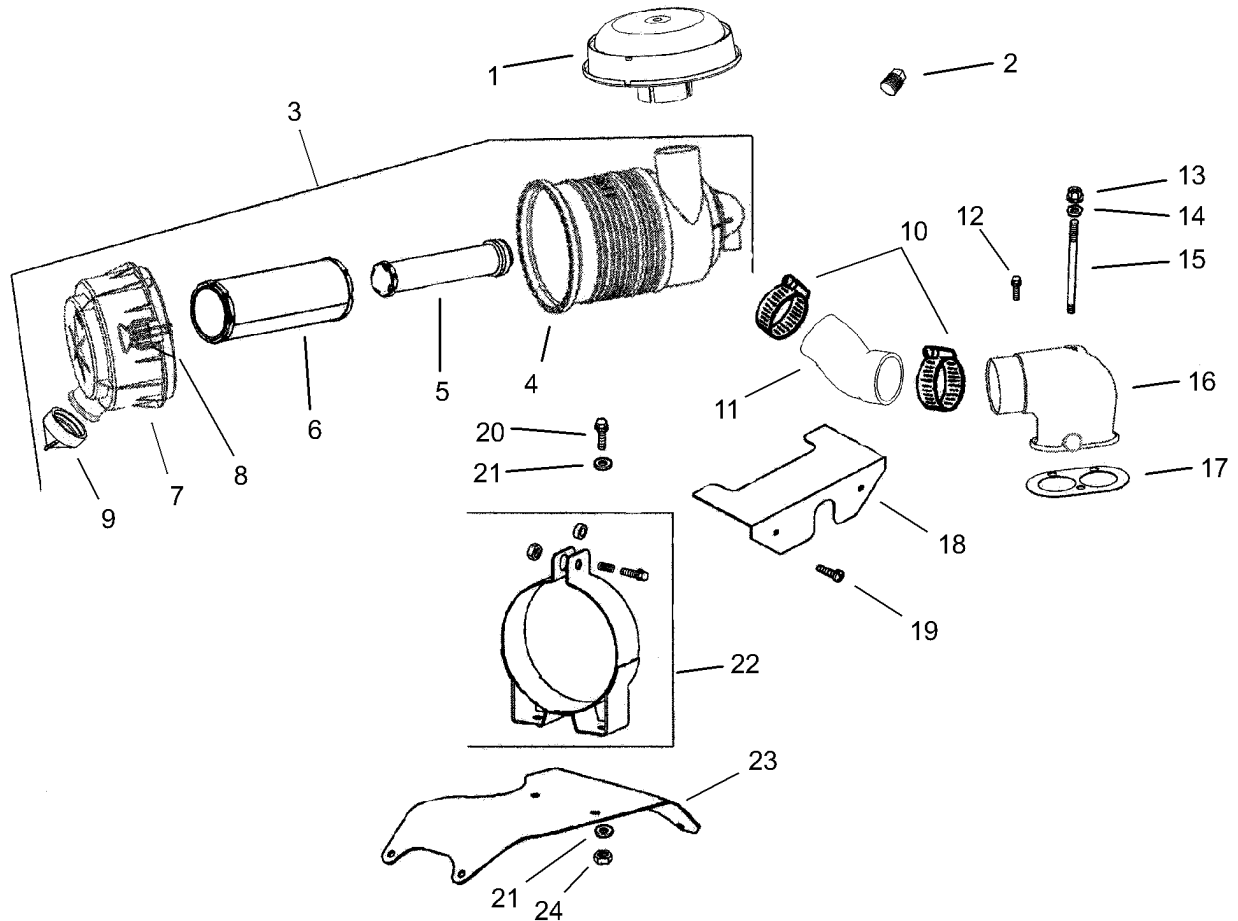
Ref	Part No.	Qty.	Description
④23	24 331 02-S	2	Injector, Fuel (Includes 24)
④24	24 153 26-S	2	O Ring-Injector, Fuel
④25	24 584 29-S	1	Control Unit-Electronic (Ecu)
④26	24 086 42-S	1	Screw-HF
④27	24 418 03-S	1	Sensor-Speed, Engine
④28	M-545016-S	1	Screw-HF (M5X0.8X16)
④29	24 126 69-S	1	Bracket-Sensor,Speed
④30	M-639025-S	4	Screw-HF
④31	24 041 01-S	2	Gasket-Manifold, Intake
①④	24 755 129-S	1	Kit, Fuel Pump Rebuild (Includes 33,34)
①④	X-22-5-S	1	Washer, Lock
①④	24 176 117-S	1	Harness, Wiring(Includes 24 404 02-S)
①④	24 404 02-S	1	Relay, Mini
①④	25 454 04-S	1	Tie-Wire
①④	24 113 78-S	1	Decal-Warning, Fuel



Engine Control Assembly Kohler CH745-0003

Ref	Part No.	Qty.	Description
①	M-547050-S	1	Nut-Lock, Hex (M5X0.8)
②	M-645016-S	4	Screw-HF (M6X1.0X16)
③	24 126 56-S	1	Bracket-Control
④	X-20-1-S	1	Washer-Lock (1/4In)
⑤	M-541050-S	1	Nut-HF (M5X0.8)
⑥	24 468 01-S	2	Washer-Plain
⑦	24 090 07-S	1	Lever-Actuator, Throttle
⑧	12 237 01-S	1	Clamp-Cable
⑨	M-545016-S	2	Screw-HF (M5X0.8X16)
⑩	M-446030-S	1	Nut-HF (M4X0.7)
⑪	24 090 03-S	1	Lever-Control, Throttle
⑫	M-401030-S	1	Screw (M4X0.7X30)
⑬	41 468 03-S	1	Washer
⑭	M-545020-S	1	Screw-HF (M5X0.8X20)
⑮	24 089 51-S	1	Spring-Limiter, Throttle
⑯	24 089 48-S	1	Spring-Governor
⑰	24 211 03-S	1	Bolt-Square Neck, Round Head
⑱	24 090 33-S	1	Lever-Governor
⑲	M-641060-S	1	Nut-HF
⑳	25 158 11-S	1	Bushing-Retaining, Linkage
㉑	24 089 32-S	1	Spring-Linkage
㉒	24 079 13-S	1	Linkage-Throttle

--	--	--	--



Air Intake/Filtration Assembly Kohler CH745-0003

Ref	Part No.	Qty.	Description
1	25 126 02-S	1	Air Cleaner Bracket ASM
2	25 139 20-S	1	Plug-Pipe
3	25 048 07-S	1	Cleaner Assembly, Heavy-Duty Air (Includes 4-9)
4	25 081 01-S	1	Housing-Air Cleaner, Heavy Duty
5	25 083 04-S	1	Element-Air, Safety
6	25 083 01-S	1	Element-Air, Primary
7	25 096 06-S	1	Cover Assembly, Heavy-Duty Air (Includes 8,9)
8	25 154 02-S	2	Clip
9	24 462 07-S	1	Valve-Ejector, Dust
10	25 237 07-S	2	Clamp-Hose
11	24 326 32-S	1	Hose-Cleaner, Air
12	M-644025-S	2	Screw-HSH
13	M-641060-S	2	Nut-HF
14	25 468 01-S	1	Washer-Copper
15	M-629122-S	1	Stud-Carburetor
16	24 029 28-S	1	Adapter-Intake, Air
17	24 041 36-S	1	Gasket-Base, Air Cleaner
18	24 314 28-S	1	Shield-Debris
19	24 086 06-S	2	Screw-Head, Phillips (11-16X3/4)
20	M-639016-S	2	Screw-HF (M6X1.0X16)
21	X-25-73-S	1	Washer-Plain
22	25 126 02-S	1	Air Cleaner Bracket ASM

Ref	Part No.	Qty.	Description
23	24 126 98-S	1	Bracket, Air Cleaner
24	M-647060-S	1	Nut
14	24 113 14-S	1	Decal-Maintenance,Engine

Attachments and Accessories

For 74256 - Z588E Z Master, With 72in TURBO FORCE Side Discharge Mower

Product Name	Model/Part
Blade-Mid Flow, 24.5 Inch	105-7711-03
Blade-Lo Flow, 24.5 Inch	105-7712-03
Blade-Atomic, 24.5 Inch	105-7719-03
Blade-Recycler, 24.5 Inch	105-7778-03
Blade-Hi Flow, 24.5 Inch	105-7784-03
72 Inch Recycler Kit	107-1612
6 Pack Blade, 24.5 Inch Hi-Flow	108-1120
6 Pack Blade, 24.5 Inch Atomic	108-1126
6 Pack-Blade, 24.5 Inch Mid-Flow	110-0404
6 Pack-Blade, 24.5 Inch Lo-Flow	110-0410
Retractable Seatbelt Kit	110-0883
Hitch Kit	99-8925

NOTES

NOTES

NOTES

