

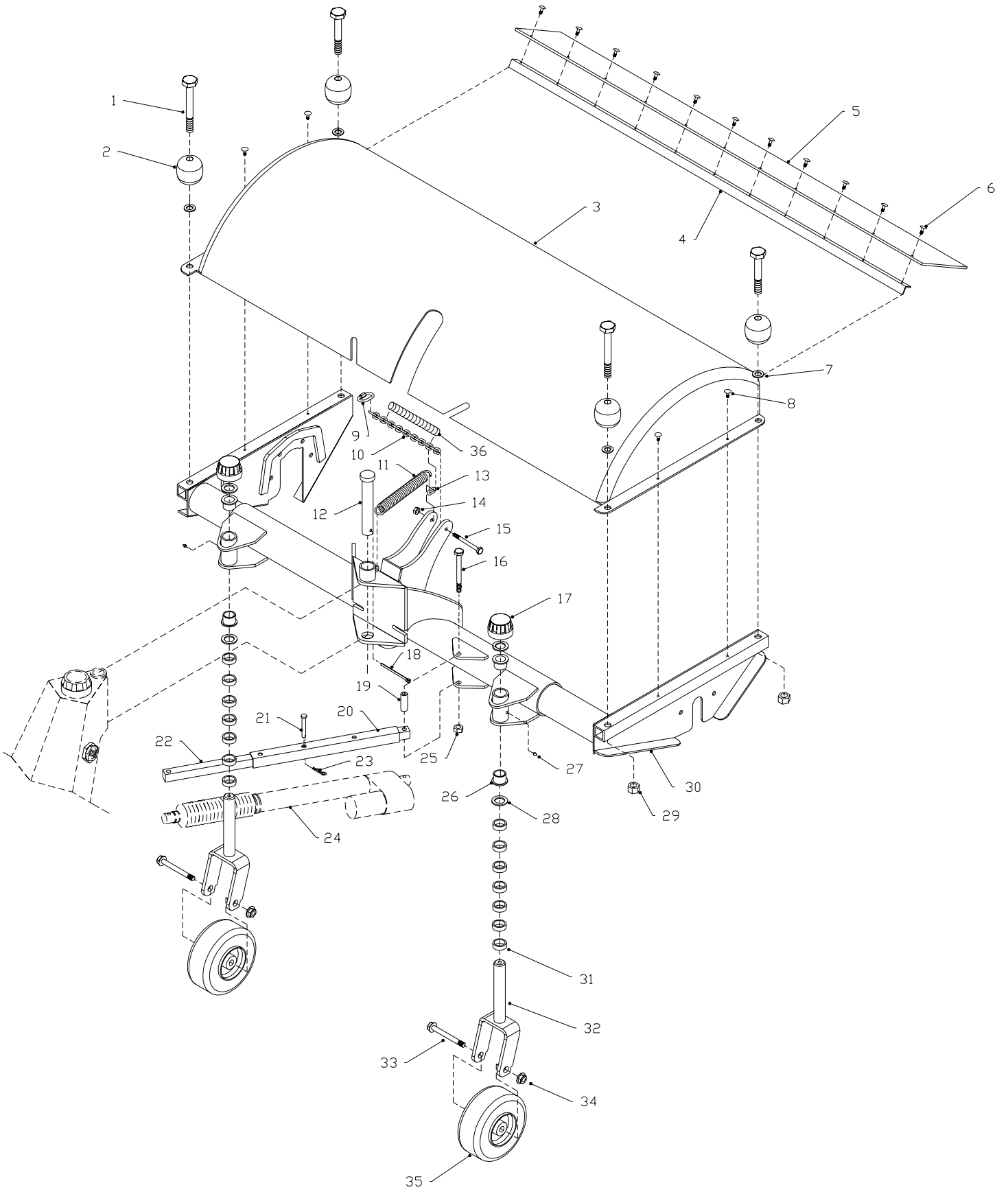


MODEL NO. 30743

PARTS CATALOG

ROTARY HYDRAULIC BROOM
FOR GROUNDMASTER 300 SERIES TRACTION UNITS



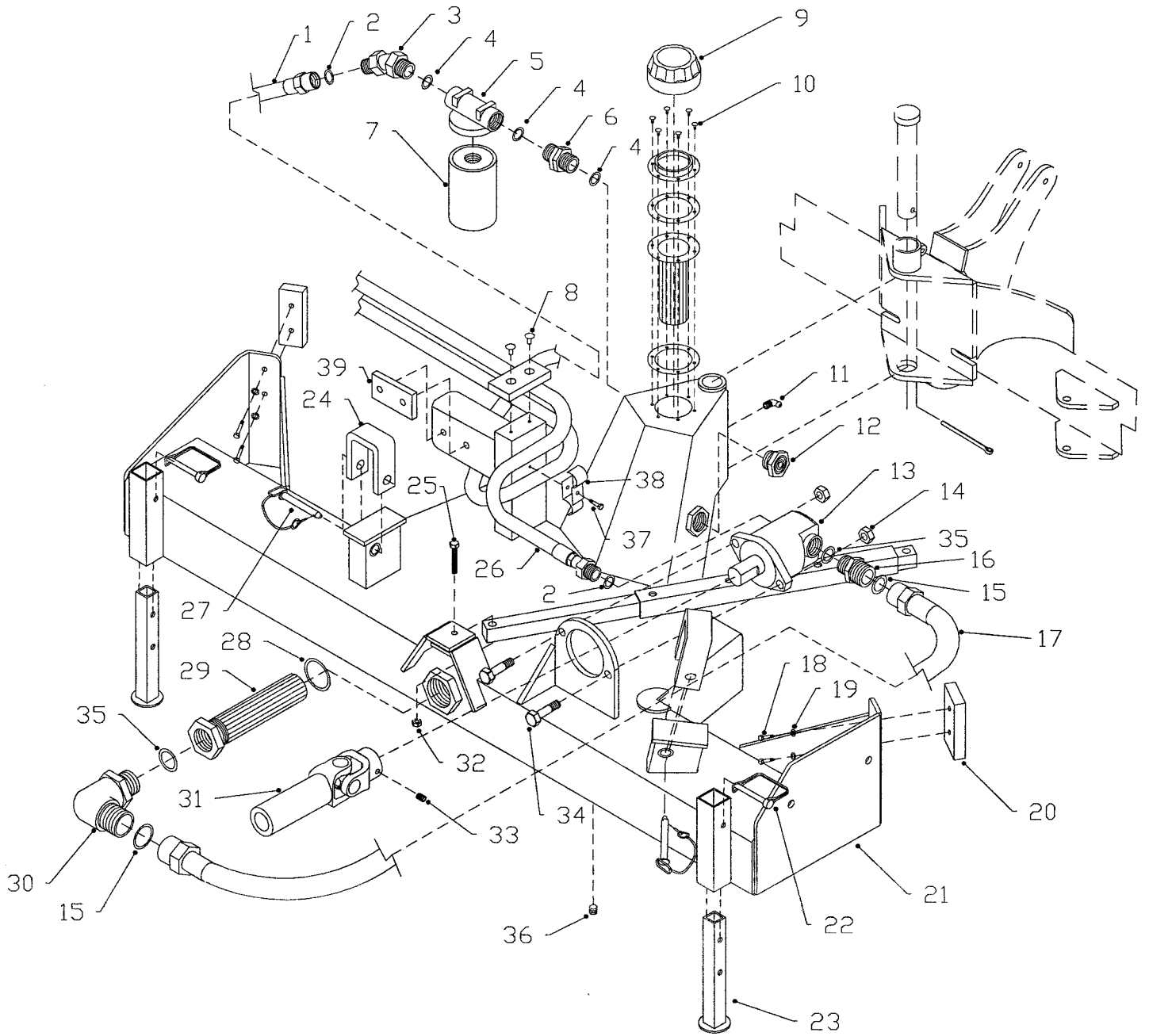


BROOM HEAD

Ref	Part No.	Description	Qty
1	328-22	Screw – HH, 3/4" UNC x 5 1/2" YZ	4
2	99-9975	Roller, 3" OD x 3/4" ID	4
3	99-6500	Cover – Broom	1
4	99-6503	Angle – Rubber Guard Mount	1
5	99-6502	Guard – Rubber	1
6	3269-11	Rivet, 3/16" x 5/8" Large Flange	11
7	99-6583	Washer - Flat, 3/4" SAE YZ	4
8	94-8663	Screw – Self Drilling, #10 x 3/4" YZ	13
9	99-8442	Quick Link, 5/16" YZ	1
10	99-6597	Chain – Lift, 5/16" x 20 Links YZ	1
11	94-8675	Spring – Extension, YZ	1
12	99-6504	Pin – Main Pivot, 1 1/4" x 12 1/2" YZ	1
13	99-6549	Link – Chain, 5/16" YZ	1
14	108881	Nut – Lock, 3/8" UNC YZ	1
15	323-14	Screw – HH, 3/8" UNC x 3" YZ	1
16	325-18	Screw – HH, 1/2" UNC x 4 1/2" YZ	1
17	92-8862	Cap	2
18	3272-25	Pin – Cotter, 3/16" x 2" YZ	1

Ref	Part No.	Description	Qty
19	99-6505	Spacer – Actuator YZ	1
20	99-6543	Tube – Manual Swivel	1
21	95-2079	Pin – Clevis, 1/2" x 2" YZ	1
22	99-6544	Shaft – Manual Swivel	1
23	328967	Pin – Hair, 1/8" x 3" YZ	1
24	100-5852	Actuator – Electric Swivel Option	1
25	32146-13	Nut – Lock, 1/2" UNC YZ	1
26	28-9290	Bushing	4
27	302-19	Fitting - Grease, 1/4"	2
28	99-6582	Washer - Flat, 1 1/8" x 10 Ga. YZ	4
29	3218-7	Nut – Jam, 3/4" UNC YZ	4
30	99-6501	Broom Head Frame	1
31	99-1283	Spacer – Castor	14
32	93-8431	Caster Fork	2
33	327-24	Screw – HH, 5/8" UNC x 5 1/2" YZ	2
34	3296-53	Nut – Lock, 5/8" UNC YZ	2
35	93-9938	Wheel Asm, Pneumatic	2
36	100-5866	Cover – Chain, 1 1/4" x 16"	1

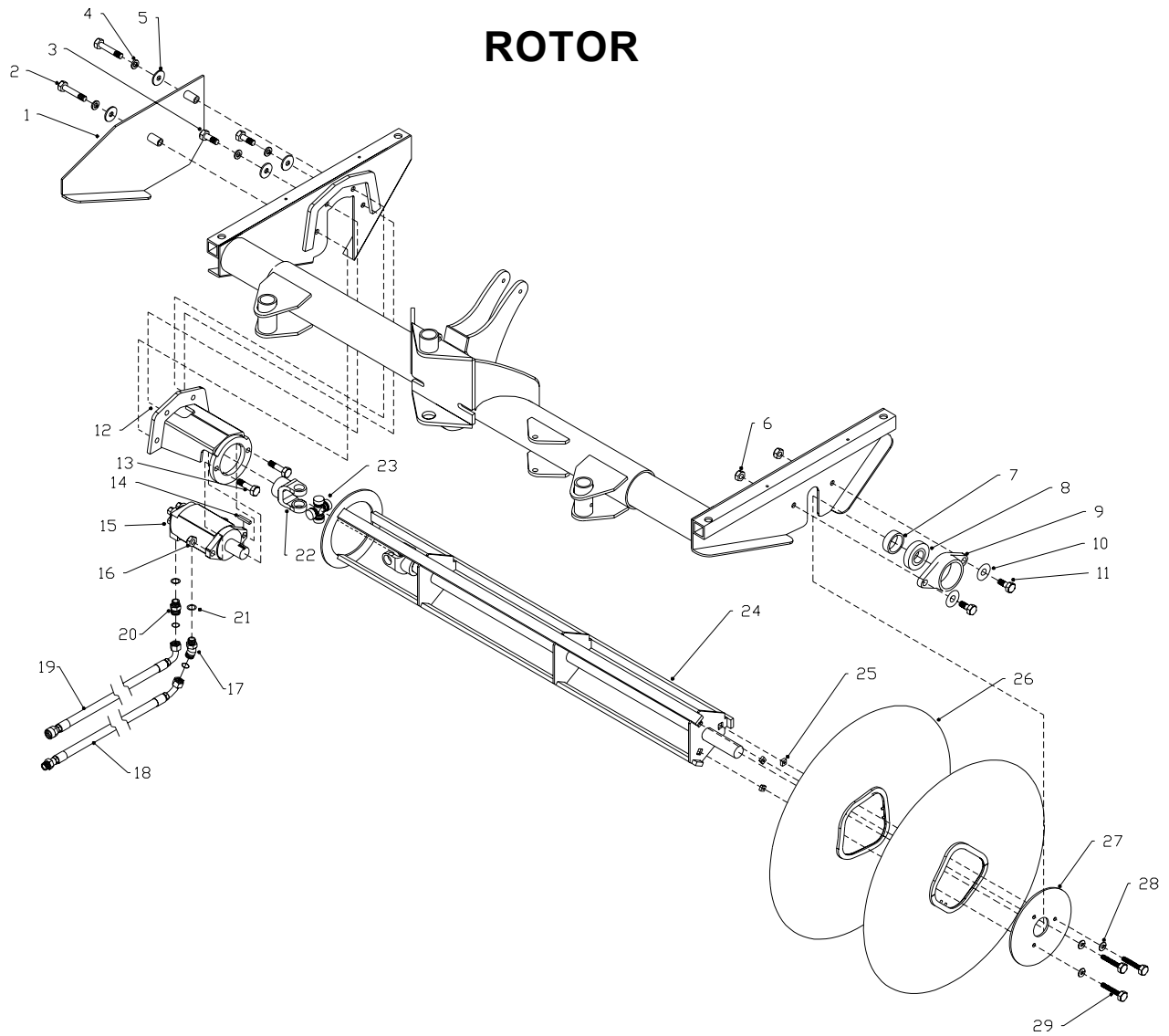
TANK / MOUNT FRAME



Ref	Part No.	Description	Qty
1	99-6509	Hose – Hydraulic	1
2	237-80	O-Ring – ORB, 10	2
3	100-5878	Fitting – Hydraulic, 45 Degree	1
4	100-5868	O-Ring – ORB, 12	3
5	99-6598	Head – Hydraulic Filter	1
6	237-81	Fitting – Hydraulic	1
7	54-0110	Filter – Hydraulic	1
8	3269-11	Rivet, 3/16" x 5/8" Large Flange	2
9	353-962	Cap / Breather	1
10	94-8663	Screw – Self Drilling, #10 x 3/4" YZ	6
11	302-33	Fitting – Grease, 1/8" 90 Degree	1
12	100-5867	Site Glass – Hydraulic	1
13	100-5857	Pump – Hydraulic	1
14	32146-7	Nut – Lock, 7/16" UNC YZ	2
15	100-5869	O-Ring – ORS, 16	2
16	100-5870	Fitting – Hydraulic	1
17	99-6510	Hose – Hydraulic	1
18	321-4	Screw – HH, 1/4" UNC x 3/4" YZ	4
19	3253-3	Washer – Lock, 1/4" YZ	4
20	86-5350	Bumper – Rubber	3
21	99-6506	Tank / Mount Frame	1
22	98-5848	Pin – Latch, 5/16" x 2 1/2" SQ YZ	2

Ref	Part No.	Description	Qty
23	99-6507	Stand	2
24	99-6511	Bracket – Arm Lock	2
25	100-5858	Screw – HH, 1/4" UNC x 2" All Thread G2 YZ	1
26	99-6512	Hose – Hydraulic	1
27	99-8441	Pin, 1/2" OD x 4" YZ c/w Retaining Pin	2
28	100-5871	O-Ring – ORB, 24	1
29	100-5859	Strainer – Tank Outlet	1
30	100-5872	Fitting – Hydraulic	1
31	100-5860	Shaft – PTO (includes:)	1
	100-5861	Yoke – Keyed	1
	99-6570	Cross	1
	100-5862	Yoke – Slip	1
32	32146-17	Nut – Lock, 1/4" UNC YZ	1
33	3247-3	Screw – Set, 3/8" UNC	1
34	324-6	Screw – HH, 7/16" UNC x 1 1/2" YZ	2
35	100-5873	O-Ring – ORB, 16	2
36	285-1	Plug, 1/2" NPT	1
37	100-5879	Screw – Self Drilling, 1/4" x 1" YZ	1
38	100-5864	Clamp – Hose Retainer, 3/4"	2
39	100-5876	Spacer – Ball Joint Mount, Left	1
40	302-40	Fitting – Grease, 90 Degree (not shown)	1

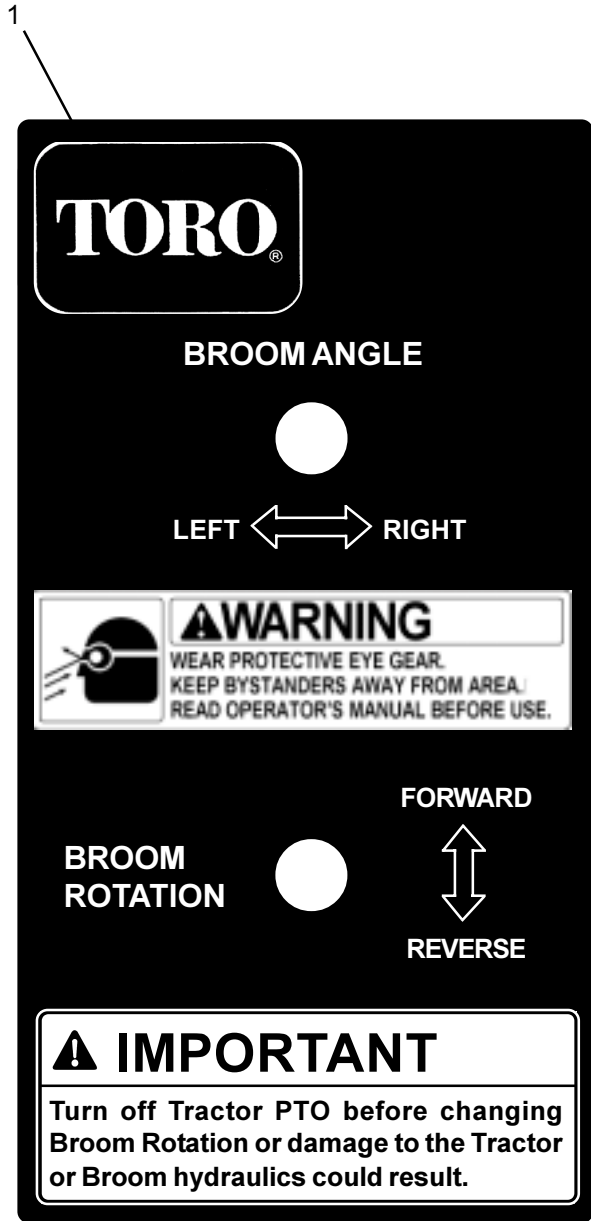
ROTOR



Ref	Part No.	Description	Qty
1	99-6554	Guard – Motor / Hose	1
2	325-11	Screw – HH, 1/2" UNC x 2 3/4" YZ	2
3	325-5	Screw – HH, 1/2" UNC x 1 1/4" YZ	2
4	3253-7	Washer – Lock, 1/2" YZ	4
5	3256-26	Washer – Flat, 1/2" SAE YZ	4
6	32146-13	Nut – Lock, 1/2" UNC YZ	2
7	99-6594	Collar – Locking, 1 1/4"	1
8	99-6571	Bearing, 1 1/4"	1
9	99-6595	Housing – Bearing	1
10	3256-26	Washer – Flat, 1/2" SAE YZ	2
11	325-32	Screw – HH, 1/2" UNC x 1 1/2" YZ	2
12	99-6564	Mount – Hydraulic Motor	1
13	325-8	Screw – HH, 1/2" UNC x 2" YZ	2
14	100-5863	Key, 5/16" x 1 1/2"	1
15	99-6566	Motor - Hydraulic	1

Ref	Part No.	Description	Qty
16	32146-13	Nut – Lock, 1/2" UNC YZ	2
17	100-5874	Fitting – Hydraulic	1
18	99-6512	Hose – Hydraulic	1
19	99-6509	Hose – Hydraulic	1
20	100-5875	Fitting – Hydraulic	1
21	237-80	O-Ring, ORB, 10	4
22	99-6569	Yoke – Clamping, 1 1/4"	1
23	99-6570	Cross – Yoke	1
24	99-6508	Rotor Frame	1
25	99-6585	Nut – Retainer, 3/8" UNC YZ	3
26	94-7372	Brush – Poly	34
	95-5942	Brush – Wire (Optional)	34
27	99-6563	Retainer Plate – Brush	1
28	3253-5	Washer – Lock, 3/8" YZ	3
29	323-12	Screw – HH, 3/8" UNC x 2 1/2" All Thread YZ	3

DECALS



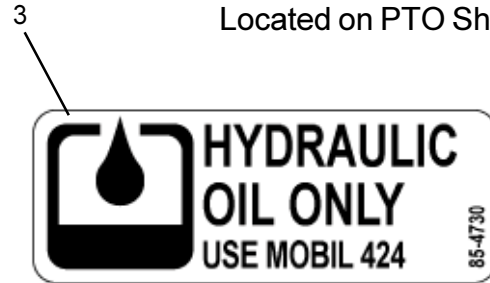
Part No. 99-6541
Located on Control Box
(Electric Swivel Option)



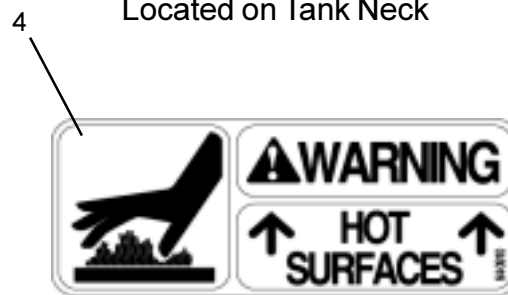
Part No. 94-8701
Located on Broom Head Frame



Part No. 99-6522
Located on PTO Shaft.



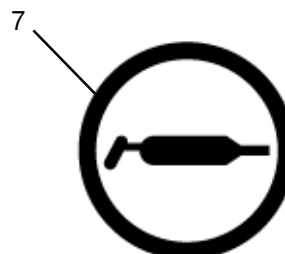
Part No. 85-4730
Located on Tank Neck



Part No. 54-0910
Located on Tank

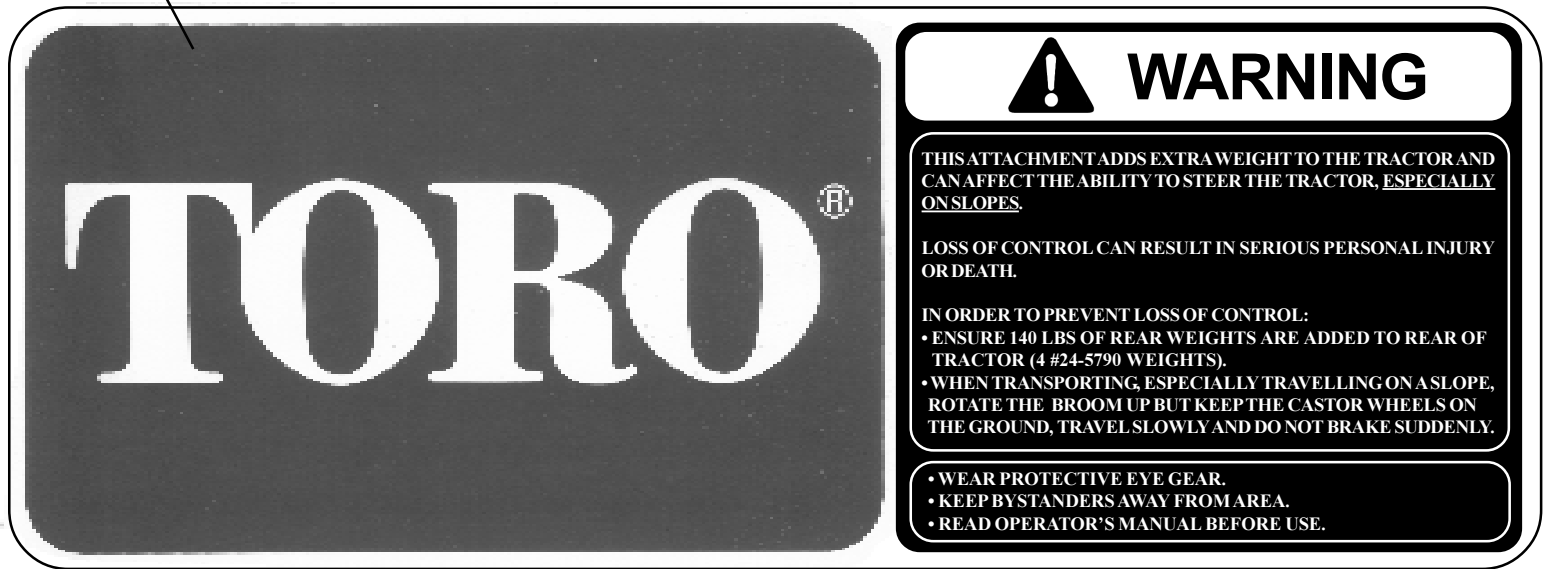


Part No. 99-6540
Located near PTO shaft



58-6520

8



Part No.99-6542
 Located on ends of
 Tank / Frame

Ref	Part No.	Description	Qty
1	99-6541	Decal – Control Box	1
2	99-6522	Decal – Align Drive Shaft Yoke	1
3	85-4730	Decal – Hydraulic Oil Only	1
4	54-0910	Decal – Hot Surfaces	2
5	99-6540	Decal – Rotating Member	1
6	94-8701	Decal – Pinch Point	2
7	58-6520	Decal – Grease	9
8	99-6542	Decal – TORO / WARNING	2



Helping you put quality into play.®