



Super Recycler[®] Mower, SR-21SE

Model No. 20045 - 200000001 and up.

Parts Catalog

Ordering Replacement Parts

To order replacement parts, please supply the part number, the quantity, and the description of each part desired.

Understanding Reference Numbers

Each identified part in an illustration has a reference number. The reference number for a part also appears in the parts list, along with other information about the part.

This catalog uses two special reference number formats, one to indicate parts in a service assembly and another to indicate the quantity of a given part in an illustration.

Service Assembly Reference Numbers

Parts in service assemblies have reference numbers in the form a:b. The a represents the reference number of the entire service assembly and the b represents a sequential number unique to each part within the service assembly.

For example, a wheel assembly might be identified by reference number 6, the tire by 6:1, the valve by 6:2, and the wheel by 6:3. When you order the assembly identified by reference number 6, you receive all parts identified by reference numbers 6:1, 6:2, and 6:3. However, you may also order any part individually. Reference numbers of this type appear in illustrations and in part lists.

Reference Numbers Indicating Quantity

In an illustration, if a reference number indicates more than one part, the reference number has the form nX y. The n represents the quantity of the part, the X is the multiplication symbol, and the y represents the reference number.

For example, in an illustration, the reference number 2X 37 means that two of the parts identified by reference number 37 are indicated.

Contents

Description	Page	Description	Page
Housing, Handle Bracket and Wheel Assembly	3	Carburetor Assembly Briggs and Stratton 12h807-1775-E1	11
Gear Case Assembly	4	Governor Assembly Briggs and Stratton 12h807-1775-E1	12
Engine and Blade Assembly	5	Flywheel and Muffler Assembly Briggs and Stratton 12h807-1775-E1	13
Gear Case and Wheel Assembly	6	Fuel Tank and Rewind Starter Assembly Briggs and Stratton 12h807-1775-E1	14
Handle and Control Assembly	7	Starter Motor Assembly Briggs and Stratton 12h807-1775-E1	15
Electrical Starter Component Assembly	8	Gasket Sets and Carburetor Kit Assemblies Briggs and Stratton 12h807-1775-E1	16
Cylinder Assembly Briggs and Stratton 12h807-1775-E1	9		
Crankshaft Assembly Briggs and Stratton 12h807-1775-E1	10		

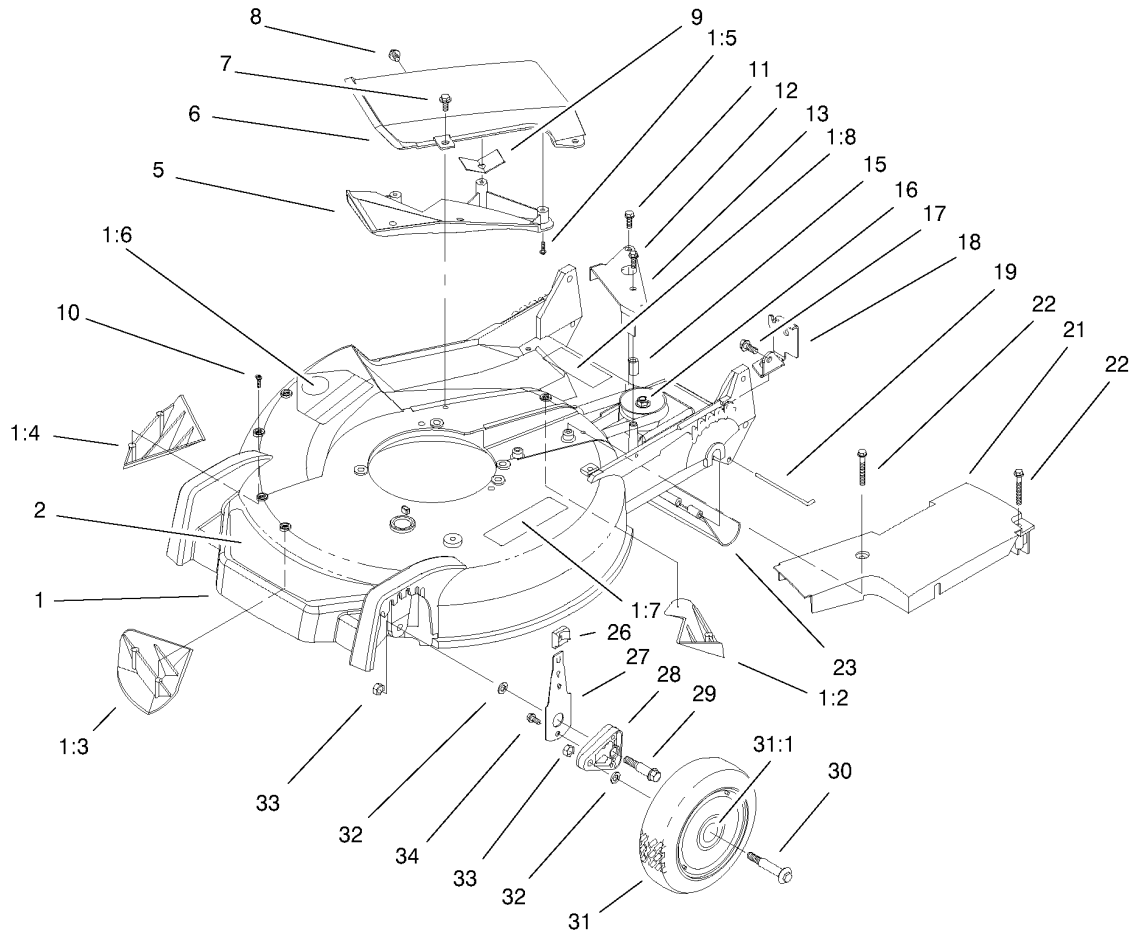
Part Description Abbreviations

Part descriptions in this catalog may include the following abbreviations.

AR. as required	INC. incorporated
ASM. assembly	LH. left hand
BBC. blade brake clutch	NI. nylon insert
CARR. carriage	NPTF. national pipe thread fine
DEG. degrees	PFH. phillips flat head
EXT. external	PPH. phillips pan head
FH. flat head	PPHTF. phillips pan head thread forming
GA. gauge	PRH. phillips round head
HF. hex flange	PTH. phillips truss head
HH. hex head	PTO. power-take-off
HHF. hex head flange	RH. right hand
HHFTF. hex head flange thread forming	ROPS. roll-over-protection-system
HJ. hex jam	SFH. slotted fillister head
HLH. hex lag head	SHH. slotted hex head
HOC. height-of-cut	SHWH. slotted hex washer head
HSBH. hex socket button head	SPH. slotted pan head
HSFH. hex socket flat head	SQH. square head
HSH. hex socket head	SRH. slotted round head
HWH. hex washer head	STD. standard
HWHTF. hex washer head thread forming	TAP. self tapping
HYD. hydraulic	TTH. torx truss head

Footnotes

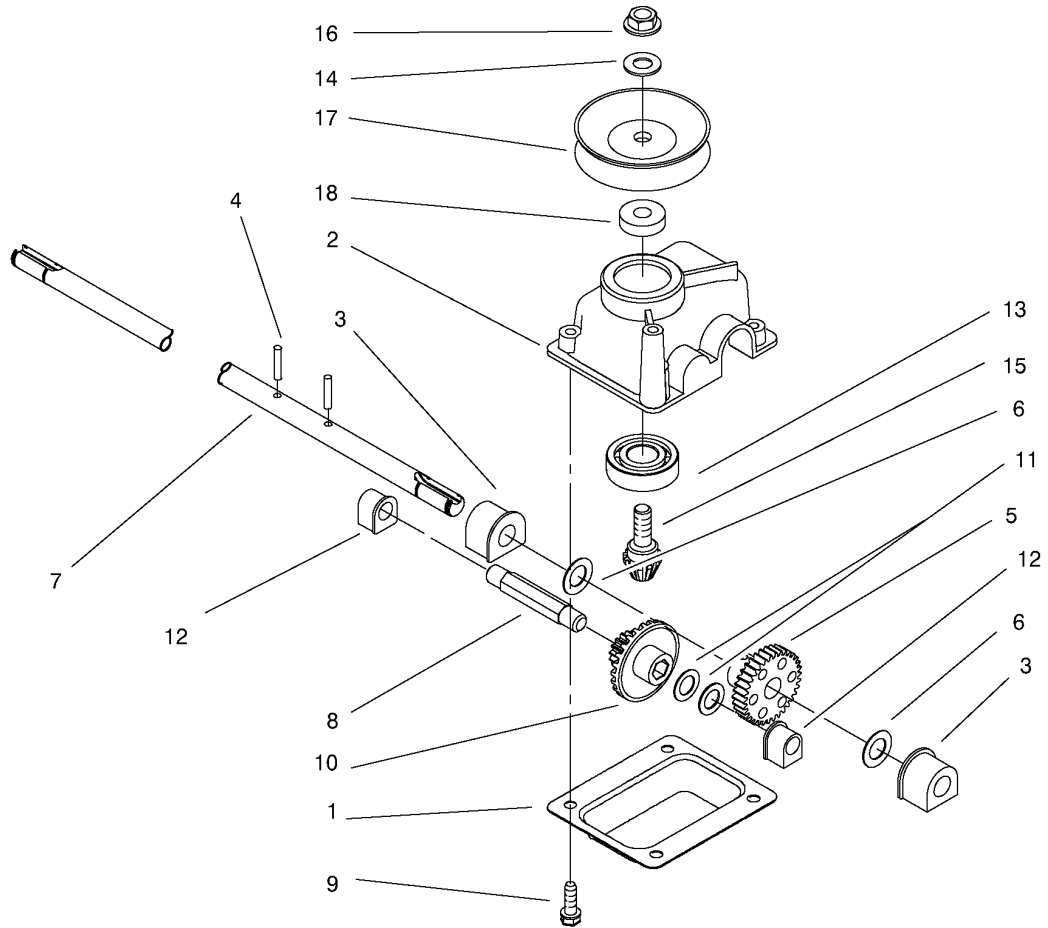
- | | |
|--|--|
| <ul style="list-style-type: none"> ❶ Not illustrated ❷ Included in Carburetor Gasket Set-See Ref. 977. ❸ Included in Valve Overhaul Gasket Set-See Ref. 1095. | <ul style="list-style-type: none"> ❹ Included in Gasket Set-See Ref. 358. ❺ Included in Carburetor Kit-See Ref. 121. |
|--|--|



Housing, Handle Bracket and Wheel Assembly

Ref	Part No.	Qty.	Description
1	98-7148	1	Housing
1:2	92-1750	1	Kicker-Rear
1:3	92-1720	1	Kicker-Front
1:4	92-1730	1	Kicker-RH
1:5	32144-11	6	Screw-HWHTF
1:6	43-8480	1	Decal-Danger
1:7	93-0248	1	Decal-Warning
1:8	99-6018	1	Decal-Warning
2	99-6010	1	Decal - Deck
5	82-8620	1	Deflector
6	82-8612	1	Cover
7	46-6811	3	Screw-HWH
8	46-6810	1	Screw And Washer ASM
9	83-4750	1	Cover Guard
10	32144-111	5	Screw-PPH
11	49-2040	1	Screw-HWHTF
12	92-1616	1	Screw-HWHTF
13	99-1513-03	1	Bracket-Transmission Actuator
15	614673	1	Bushing-Plate, Actuator
16	99-1525	1	ASM-Gearcase
17	32144-70	1	Screw-HH
18	99-1512-03	1	Bracket-Cable, Traction
19	33-3208	1	Rod-Shield
21	98-1502	1	Cover-Belt

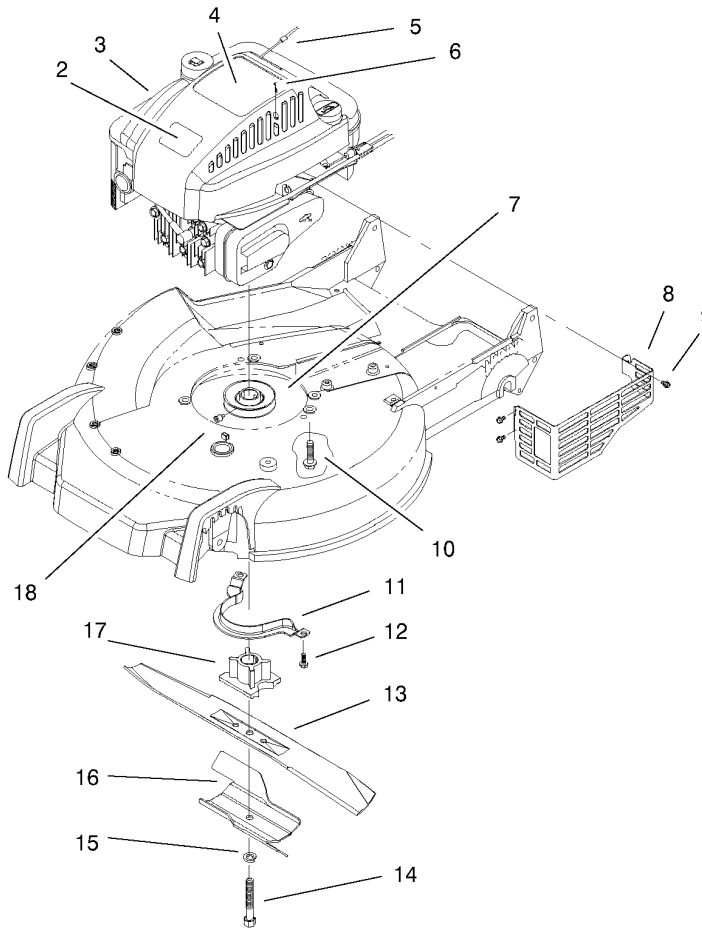
Ref	Part No.	Qty.	Description
22	37-7260	1	Screw-HH
23	44-0580	1	Shield-Trailing
26	25-7740	2	Knob-Arm
27	66-0541	2	Front Spring Arm ASM
28	66-0580	2	Arm-Pivot, Front
29	66-0560	2	Bolt-Shoulder
30	27-6232	2	Bolt-Wheel
31	98-7130	2	Wheel ASM
31:1	27-6250	2	Bushing
32	40-1940	4	Washer
33	3296-6	4	Nut-Lock
34	32144-85	2	Screw-HWH



Gear Case Assembly

Ref	Part No.	Qty.	Description
1	614668	1	Cover-Gear Case
2	92-7727	1	Gearcase
3	60-8850	2	Bushing
4	3285-19	2	Pin-Groove
5	614596	1	Gear
6	36-4780	2	Washer
7	92-3131	1	Output Shaft
8	614696	1	Shaft-Intermediate
9	49-2040	4	Screw-HWHTF
10	55-3760	1	Gear-Bevel
11	36-4791	2	Washer-Thrust
12	60-8750	2	Bushing
13	38-7820	1	Bearing-Ball
14	3256-24	1	Washer-Flat
15	60-8890	1	Gear-Pinion
16	3296-5	1	Nut-Lock
17	100-1176	2	Pulley-Half
18	62-6660	1	Spacer

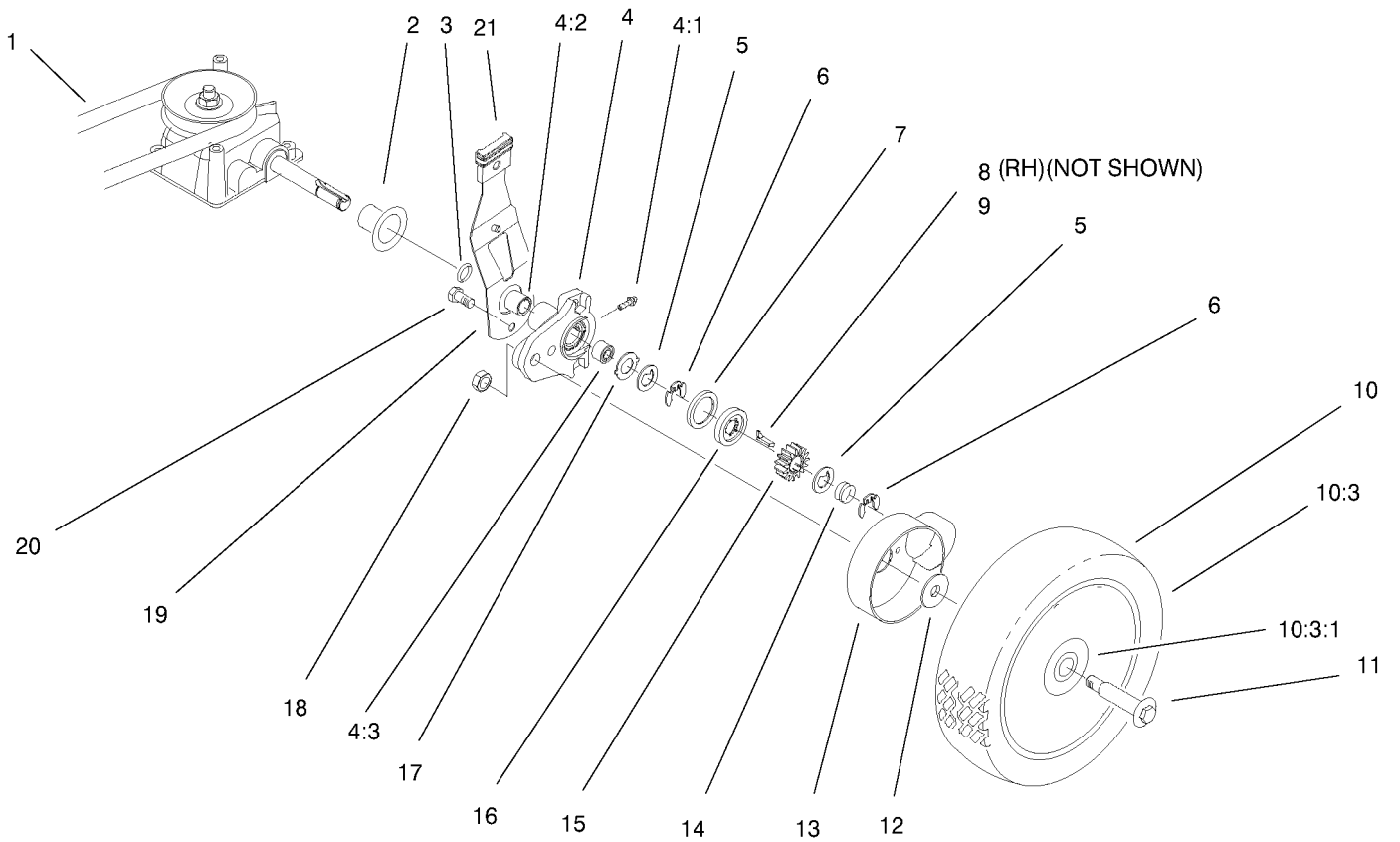
--	--	--	--



Engine and Blade Assembly

Ref	Part No.	Qty.	Description
2	98-3206	1	Decal
3	93-0243	1	Shroud-Engine
4	99-6013	1	Decal - Recoil
5	2210-316	1	Stop-Rope
6	32144-121	2	Screw-PPH
7	100-1102	1	Pulley ASM
8	82-8550-03	1	Shield-Muffler
9	32144-73	3	Screw-HWH
10	32144-102	3	Screw-HWH
11	99-1526-03	1	Guide-Belt
12	32144-70	2	Screw-HH
13	93-4106	1	Blade
14	95-1748	1	Screw-Blade
15	3253-22	1	Washer-Lock
16	94-1608-03	1	Accelerator-Blade
17	100-1100	1	Retainer-Blade
18	613227	1	Screw-Set

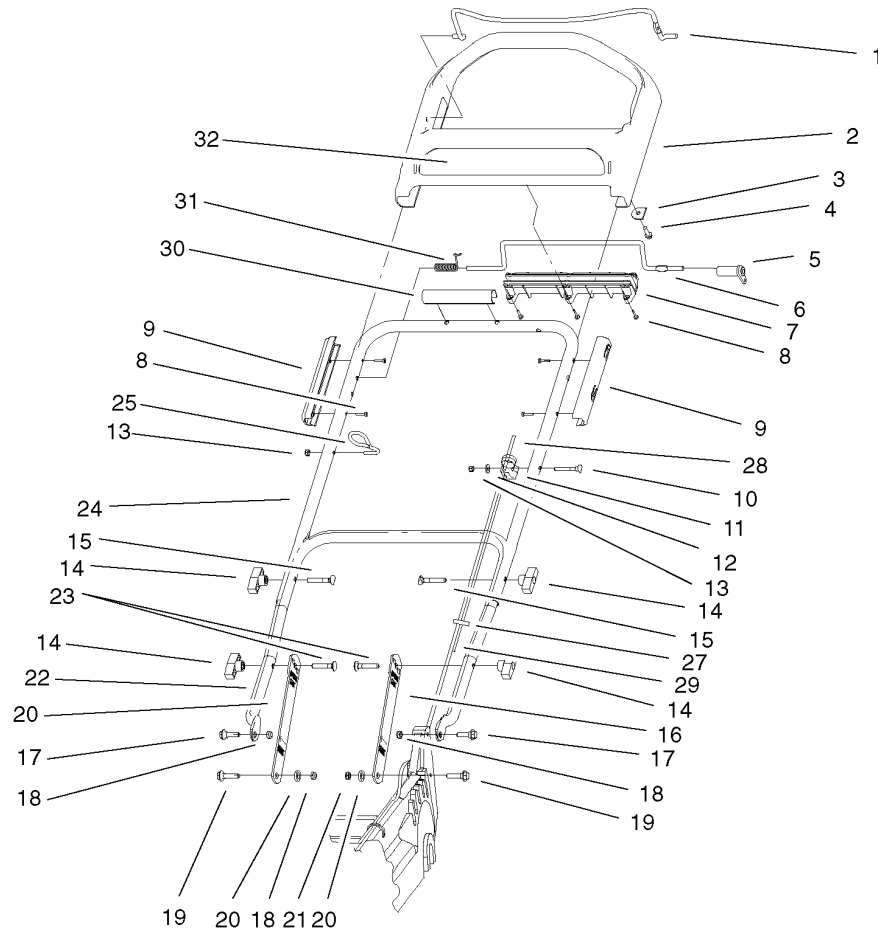
Ref	Part No.	Qty.	Description



Gear Case and Wheel Assembly

Ref	Part No.	Qty.	Description
1	99-1598	1	V-Belt
2	42-3520	2	Cap-End
3	237-153	2	O-Ring
4	63-8701	2	Pivot Arm ASM
4:1	302-56	1	Fitting-Grease
4:2	48-2060	1	Bearing-Roller
4:3	70-9760	1	Bushing
5	65-4740	4	Washer-Thrust, Keyed
6	65-2720	4	Klipring-Locking
7	65-4710	2	Ring-Friction
8	66-6040	1	Key-Rocking, RH
9	66-6050	1	Key-Rocking, LH
10	16-0029	2	Whl & Tire Assembly
10:3		1	Wheel & Tire ASM
10:3:1	27-6250	2	Bushing
11	27-6232	2	Bolt-Wheel
12	74-1671	2	Spacer-Cover, Wheel
13	74-1660	2	Cover-Wheel
14	65-4720	2	Spring-Compression
15	65-4750	2	Gear-Pinion
16	65-4760	2	Washer-Clutch
17	65-4730	2	Washer-Arm, Pivot
18	3296-6	2	Nut-Lock
19	63-8721	2	Spring Arm ASM

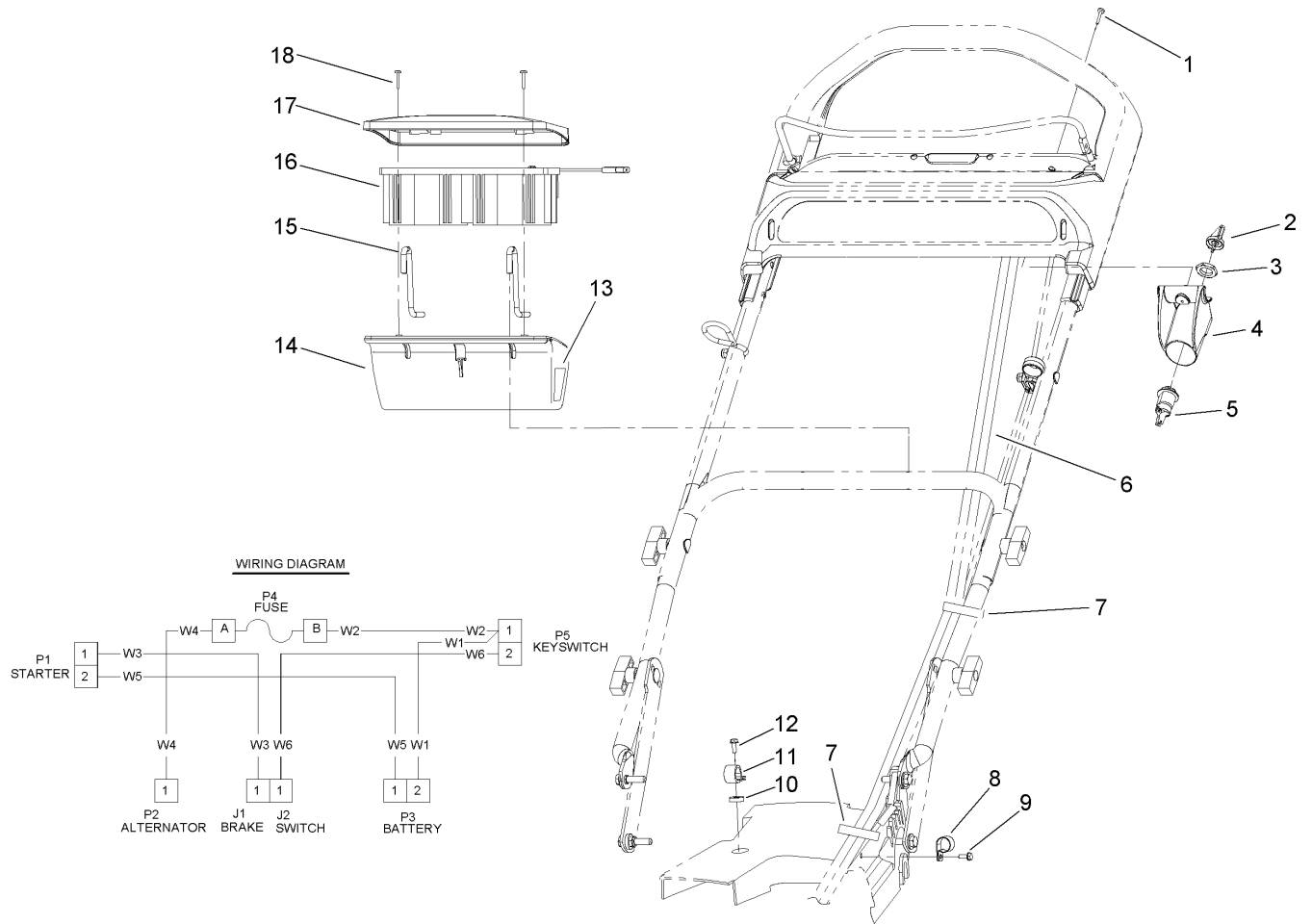
Ref	Part No.	Qty.	Description
20	32144-85	2	Screw-HWH
21	25-7740	2	Knob-Arm



Handle and Control Assembly

Ref	Part No.	Qty.	Description
1	99-1593-03	1	Bail-Brake
2	99-1582	1	Handle-Control
3	99-1595	1	Retainer-Cable, Brake
4	46-8091	1	Screw-HWH
5	99-1589	1	Lever-Traction
6	99-1588	1	Bar-Control, Traction
7	99-6008	1	Retainer-Control Rod, Traction
8	94-4496	10	Screw-PPH
9	99-1590	2	Guide-Handle, Control
10	95-4453	1	Screw
11	99-5239	1	Anchor-Cable
12	3256-1	1	Washer-Flat
13	3296-73	2	Nut-Lock, NI
14	98-7134	4	Knob-Handle
15	92-2260	4	Screw-Handle
16	99-5248-03	2	Latch-Handle
17	27-7211	2	Screw-Shoulder
18	3296-72	3	Nut-Lock, NI
19	27-7210	2	Screw-Shoulder
20	3-3287	2	Spacer-Latch, Handle
21	3296-47	1	Nut-Lock, NI
22	99-6004-05	1	Handle-Lower
23	99-6019	2	Screw-CARR
24	99-1596-05	1	Handle-Upper

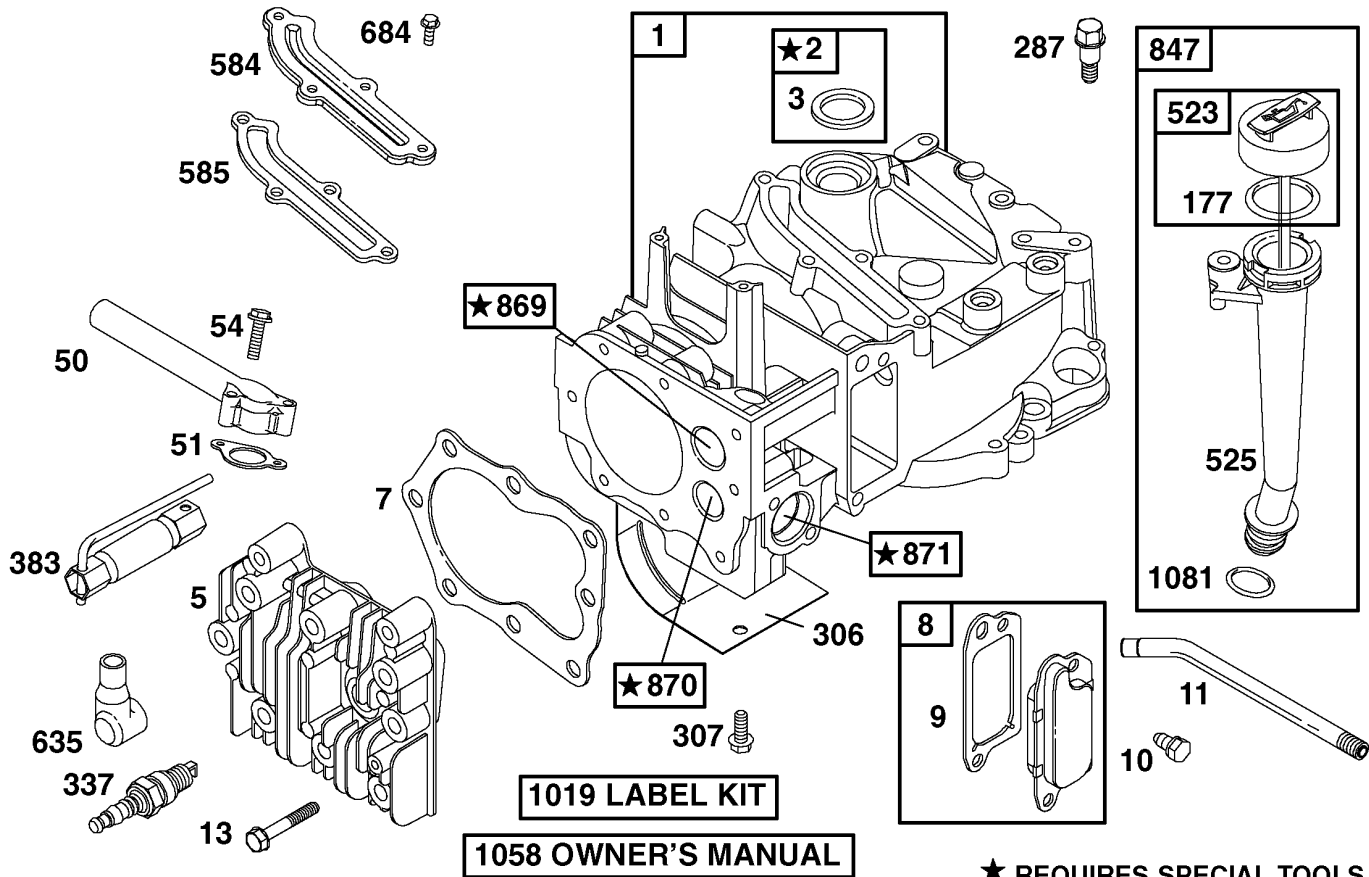
Ref	Part No.	Qty.	Description
25	86-9671	1	Guide-Rope
27	3290-378	1	Tie-Cable
28	100-1186	1	Cable-Brake
29	99-1584	1	Cable-Traction
30	99-6339	1	Cover-Handle
31	99-1592	1	Spring-Torsion, RH
32	99-6009	1	Decal - Console



Electrical Starter Component Assembly

Ref	Part No.	Qty.	Description
1	32144-97	1	Screw-PPH, Plastite
2	63-8360	1	Key-Ignition
3	218-461	1	Nut-HH
4	99-6006	1	Switch-Holder
5	46-5780	1	Switch-Starter
6	99-6002	1	Wire Harness - Cast Quant Pp
7	3290-378	2	Tie-Cable
8	2412-83	1	Clamp-Cable
9	32144-112	1	Screw-HWH
10	3-5792	1	Washer
11	2412-87	1	Clamp-Cable
12	37-7262	1	Screw-Special
13	99-6631	1	Decal - Instruction
14	99-5297	1	Box-Battery
15	99-5299	2	Rod-Battery
16	99-5296	1	Battery
17	99-5298	1	Cover-Battery
18	94-4496	4	Screw-PPH
19	94-9164	1	Charger-Battery

--	--	--	--



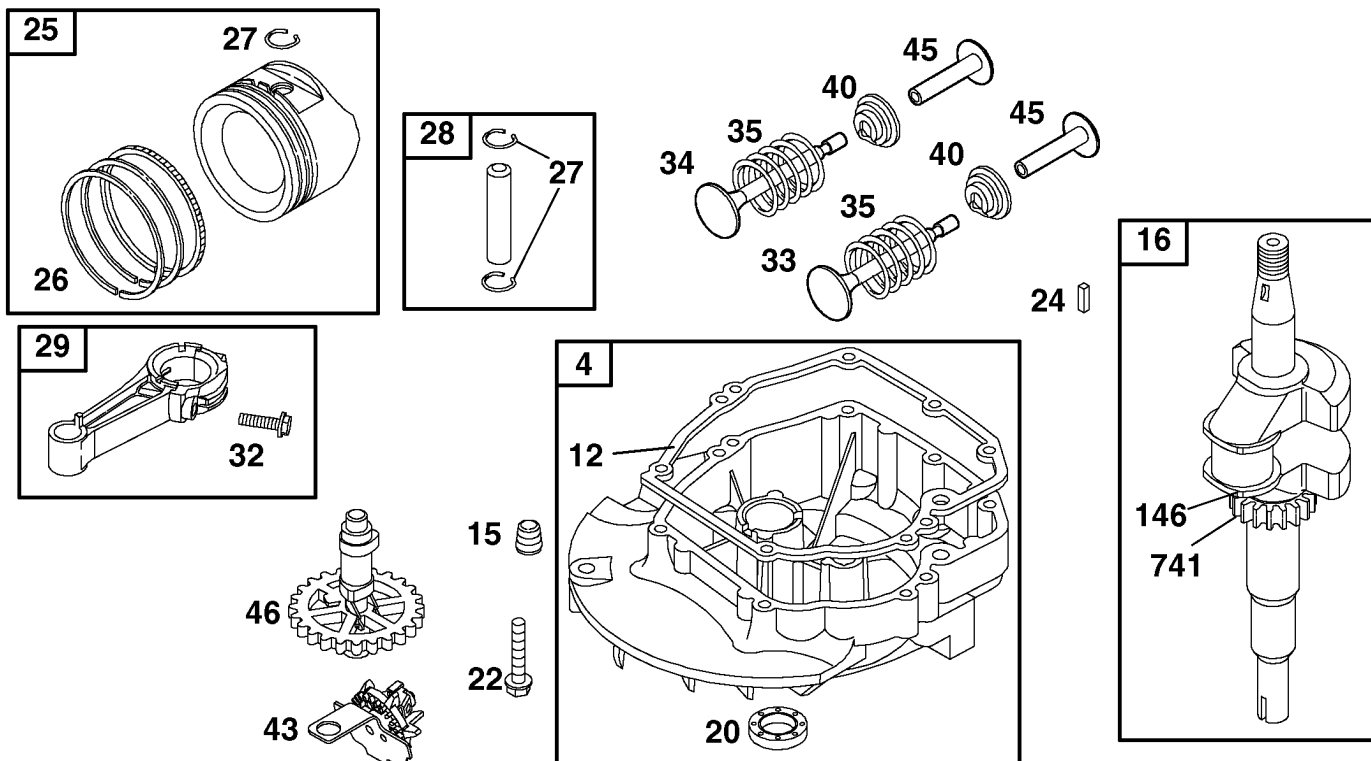
Assemblies include all parts shown in frames.

★ REQUIRES SPECIAL TOOLS TO INSTALL. SEE REPAIR INSTRUCTION MANUAL.

Cylinder Assembly Briggs and Stratton 12h807-1775-E1

Ref	Part No.	Qty.	Description
1	493260	1	Cylinder
2	399269	0	Bushing/Seal Kit
★3	299819	1	Seal-Oil
5	691160	1	Head-Cylinder
★57	272916	1	Gasket-Cylinder Hd
8	495786	1	Breather ASM
★59	272481	1	Gasket-Breather
10	94650	1	Screw-Hex.
11	231685	1	Sheave
13	94547	1	Screw-Hex.
50	497465	1	Manifold-Intake
★51	272199	1	Gasket-Intake
54	94526	1	Screw-Hex
★177	280393	1	O-Ring Seal
287	94511	1	Screw-Hex.
306	690450	1	Shield-Cylinder
307	94515	1	Screw-Sem
337	802592	1	Plug-Spark
383	89838	1	Wrench-Plug, Spark
523	495264	1	Dipstick
525	495265	1	Tube-Dipstick
584	692342	1	Cover-Breather Passage
★585	272238	1	Gasket-Breather
635	66538	1	Boot-Plug, Spark

Ref	Part No.	Qty.	Description
684	94515	1	Screw-Sem
847	495263	1	Tube-Oil Filler
869	691155	1	Seat-Valve (Intake)
870	690380	1	Seat-Valve (Exhaust)
871	262001	1	Bushing-Guide (Exhaust)
1019	494256	1	Label Kit
1058	273693	1	Owner-S Manual
★1081	280966	1	O-Ring Seal



Assemblies include all parts shown in frames.

Crankshaft Assembly Briggs and Stratton 12h807-1775-E1

Ref	Part No.	Qty.	Description
4	493279	1	Sump-Engine
12	272198	1	Gasket
15	94880	1	Oil Drain Plug
16	694079	1	Crankshaft
20	399781	1	Seal-Oil
22	94220	1	Screw-Hex. Head
	94612	1	Screw Hex. Head
24	222698	1	Key
25	499429	1	Piston ASM. (Standard)
	499430	1	Piston ASM
	499431	1	Piston ASM. (.020" O.S.)
	499432	1	Piston ASM. (.030" O.S.)
26	499425	1	Ring Set (Standard)
	499426	1	Ring Set (.010" O.S.)
	499427	1	Ring Set (.020In Oversize)
	499428	1	Ring Set (.030" O.S.)
27	263190	1	Lock-Piston Pin
28	499423	1	Pin-Piston (STD)
	298908	1	Pin-Piston (.005In Undersize)
29	499424	1	Rod-Connecting
32	94699	1	Screw-Hex
33	262651	1	Valve-Exhaust
34	262652	1	Valve-Intake
35	262224	1	Spring-Value

Ref	Part No.	Qty.	Description
40	93312	1	Gear-Cam
43	493737	1	Oil Slinger
45	262204	1	Tappet-Valve
46	498275	1	Camshaft
146	94388	1	Key-Timing
741	262598	1	Gear-Timing

NOTES

NOTES

NOTES

