



Super Recycler[®] Mower, SR-21SE

Model No. 20045 - 210000001 and up.

Parts Catalog

Ordering Replacement Parts

To order replacement parts, please supply the part number, the quantity, and the description of each part desired.

Understanding Reference Numbers

Each Identified part in an illustration has a reference number. The reference number for a part also appears in the parts list, along with other information about the part.

This catalog uses two special reference number formats, one to indicate parts in a service assembly and another to indicate the quantity of a given part in an illustration.

Service Assembly Reference Numbers

Parts in service assemblies have reference numbers in the form a:b. The a represents the reference number of the entire service assembly and the b represents a sequential number unique to each part within the service assembly.

For example, a wheel assembly might be identified by reference number 6, the tire by 6:1, the valve by 6:2, and the wheel by 6:3. When you order the assembly identified by reference number 6, you receive all parts identified by reference numbers 6:1, 6:2, and 6:3. However, you may also order any part individually. Reference numbers of this type appear in illustrations and in part lists.

Reference Numbers Indicating Quantity

In an illustration, if a reference number indicates more than one part, the reference number has the form nX y. The n represents the quantity of the part, the X is the multiplication symbol, and the y represents the reference number.

For example, in an illustration, the reference number 2X 37 means that two of the parts identified by reference number 37 are indicated.

Contents

Description	Page	Description	Page
Housing And Wheel Assembly 3	Carburetor Assembly Briggs And Stratton Model 12h807-1775-E1 11
Gear Case Assembly No. 104-7674 4	Governor Assembly Briggs And Stratton Model 12h807-1775-E1 12
Gear Case and Wheel Assembly 5	Blower Housing And Flywheel Assembly Briggs And Stratton Model 12h807-1775-E1 13
Engine and Blade Assembly 6	Fuel Tank And Rewind Starter Assembly Briggs And Stratton Model 12h807-1775-E1 14
Handle Assembly 7	Electric Starter Assembly Briggs And Stratton Model 12h807-1775-E1 15
Battery and Switch Assembly 8	Gasket Assembly Briggs And Stratton Model 12h807-1775-E1 16
Cylinder Assembly Briggs And Stratton Model 12h807-1775-E1 9		
Crankshaft Assembly Briggs And Stratton Model 12h807-1775-E1 10		

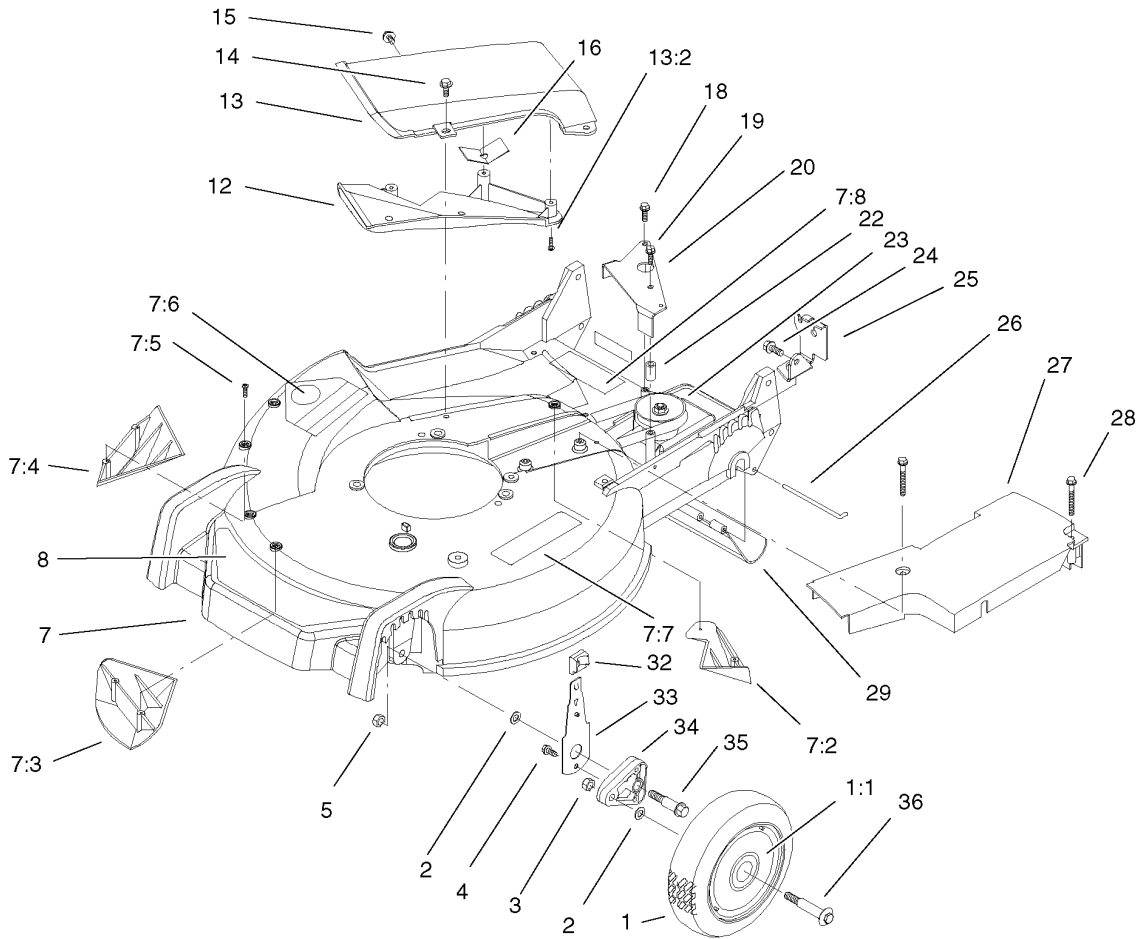
Part Description Abbreviations

Part descriptions in this catalog may include the following abbreviations.

AR. as required	INC. incorporated
ASM. assembly	LH. left hand
BBC. blade brake clutch	NI. nylon insert
CARR. carriage	NPTF. national pipe thread fine
DEG. degrees	PFH. phillips flat head
EXT. external	PPH. phillips pan head
FH. flat head	PPHTF. phillips pan head thread forming
GA. gauge	PRH. phillips round head
HF. hex flange	PTH. phillips truss head
HH. hex head	PTO. power-take-off
HHF. hex head flange	RH. right hand
HHFTF. hex head flange thread forming	ROPS. roll-over-protection-system
HJ. hex jam	SFH. slotted fillister head
HLH. hex lag head	SHH. slotted hex head
HOC. height-of-cut	SHWH. slotted hex washer head
HSBH. hex socket button head	SPH. slotted pan head
HSFH. hex socket flat head	SQH. square head
HSH. hex socket head	SRH. slotted round head
HWH. hex washer head	STD. standard
HWHTF. hex washer head thread forming	TAP. self tapping
HYD. hydraulic	TTH. torx truss head

Footnotes

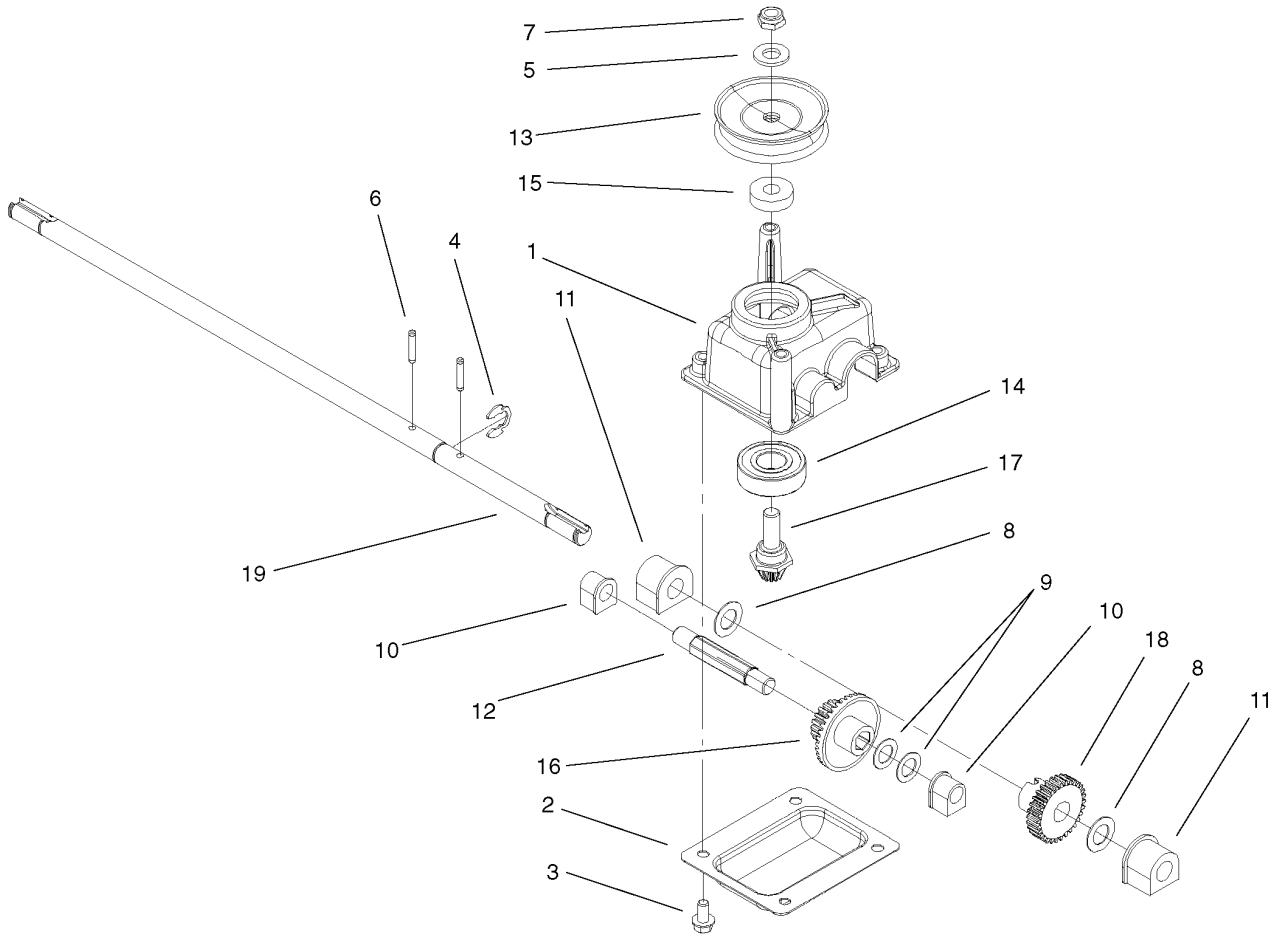
- | | |
|--|--|
| ❶ Not illustrated | ❷ Included in Gasket Set-See Ref. 358. |
| ❸ Included in Carburetor Gasket Set-See Ref. 977. | ❹ Included in Carburetor Kit-See Ref. 121. |
| ❺ Included in Valve Overhaul Gasket Set-see Ref.1095 | |



Housing And Wheel Assembly

Ref	Part No.	Qty.	Description
1	98-7130	2	Wheel ASM
1:1	27-6250	2	Bushing
2	40-1940	4	Washer
3	603773	2	Nut
4	32144-85	2	Screw-HWH
5	3296-6	2	Nut-Lock
7	98-7148	1	Housing
7:2	92-1750	1	Kicker-Rear
7:3	92-1720	1	Kicker-Front
7:4	92-1730	1	Kicker-RH
7:5	32144-111	6	Screw-PPH
7:6	43-8480	1	Decal-Danger
7:7	93-0248	1	Decal-Warning
7:8	99-6018	1	Decal-Warning
8	99-6010	1	Decal - Deck
12	82-8620	1	Deflector
13	100-8775	1	Recycler Cover ASM
13:2	32144-111	5	Screw-PPH
14	46-6811	3	Screw-HWH
15	46-6810	1	Screw And Washer ASM
16	83-4750	1	Cover Guard
18	49-2040	1	Screw-HWHTF
19	92-1616	1	Screw-HWHTF
20	99-1513-03	1	Bracket-Transmission Actuator

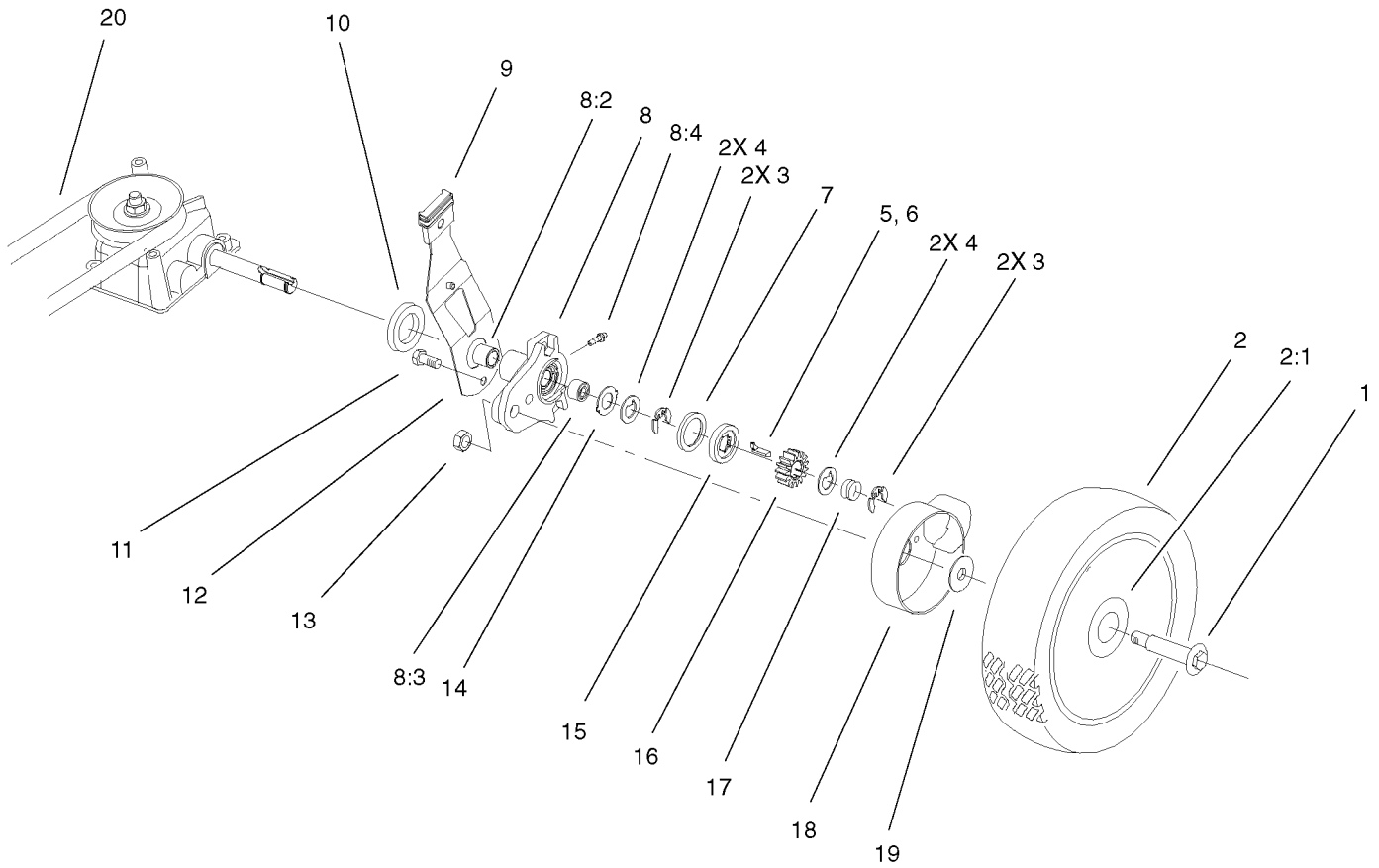
Ref	Part No.	Qty.	Description
22	614673	1	Bushing-Plate, Actuator
23	104-7674	1	Gear Case ASM
24	32144-70	1	Screw-HH
25	99-1512-03	1	Bracket-Cable, Traction
26	33-3208	1	Rod-Shield
27	104-7906	1	Cover-Belt
28	37-7260	1	Screw-HH
29	44-0580	1	Shield-Trailing
32	25-7740	2	Knob-Arm
33	66-0541	2	Front Spring Arm ASM
34	66-0580	2	Arm-Pivot, Front
35	66-0560	2	Bolt-Shoulder
36	92-1057	2	Bolt-Shoulder



Gear Case Assembly No. 104-7674

Ref	Part No.	Qty.	Description
1	104-7619	1	Case-Gear
2	614668-03	1	Cover-Case, Gear
3	32144-4	4	Screw-HWH
4	32151-68	1	Ring-Retaining
5	3256-24	1	Washer-Flat
6	3285-19	2	Pin-Groove
7	3296-5	1	Nut-Lock
8	36-4780	2	Washer
9	36-4791	2	Washer-Thrust
10	60-8750	2	Bushing
11	60-8850	2	Bushing
12	614696	1	Shaft-Intermediate
13	100-1176	2	Pulley-Half
14	100-1048	1	Bearing-Ball
15	62-6660	1	Spacer
16	104-1005	1	Gear-19T Spur, 37T Bevel
17	104-7667	1	Gear-Pinion, Bevel
18	104-1004	1	Gear-30T
19	104-7673	1	Shaft-Output

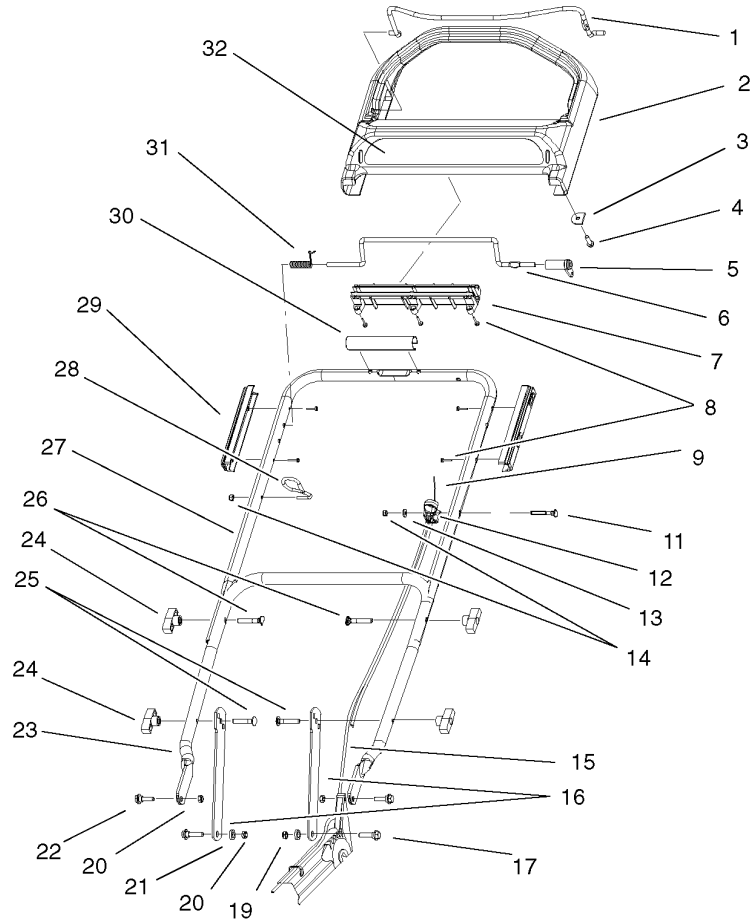
--	--	--	--



Gear Case and Wheel Assembly

Ref	Part No.	Qty.	Description
1	92-1057	2	Bolt-Shoulder
2	98-7135	2	Wheel ASM
2:1	27-6250	2	Bushing
3	65-2720	4	Klipring-Locking
4	65-4740	4	Washer-Thrust, Keyed
5	66-6040	1	Key-Rocking, RH
6	66-6050	1	Key-Rocking, LH
7	65-4710	2	Ring-Friction
8	100-8774	2	Pivot Arm ASM
8:2	47-2900	1	Bushing
8:3	70-9760	1	Bushing
8:4	302-56	1	Fitting-Grease
9	25-7740	2	Knob-Arm
10	42-3520	2	Cap-End
11	32144-85	2	Screw-HWH
12	63-8721	2	Spring Arm ASM
13	603773	2	Nut
14	65-4730	2	Washer-Arm, Pivot
15	65-4760	2	Washer-Clutch
16	65-4750	2	Gear-Pinion
17	65-4720	2	Spring-Compression
18	74-1660	2	Cover-Wheel
19	74-1671	2	Spacer-Cover, Wheel
20	91-2258	1	V-Belt

--	--	--	--

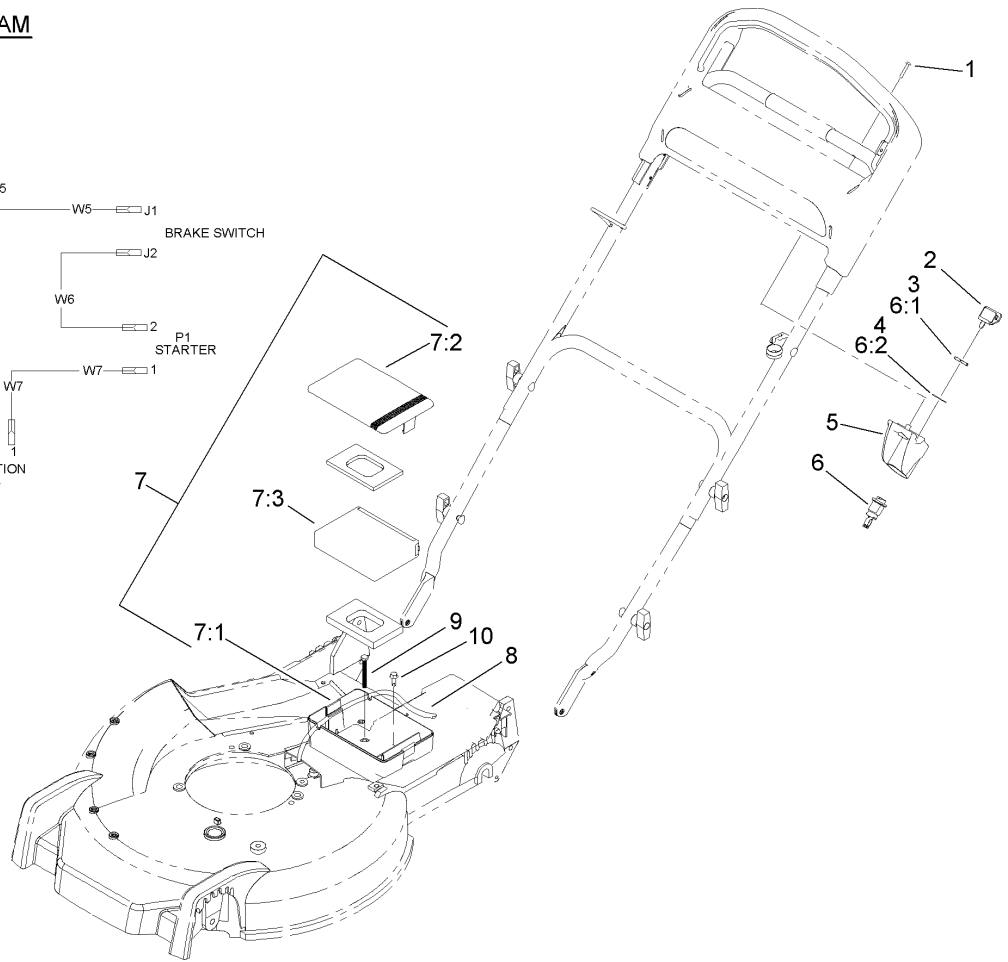
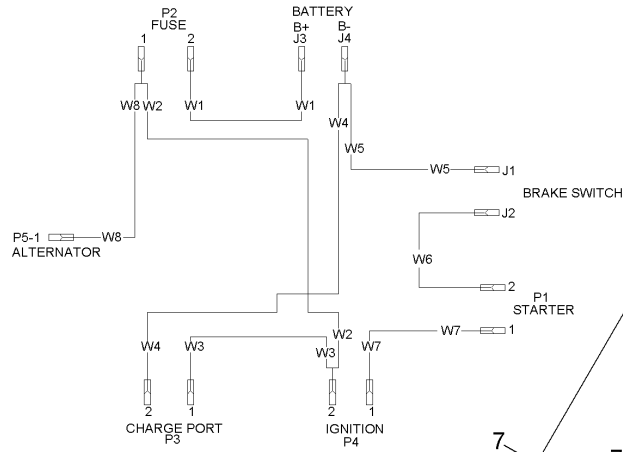


Handle Assembly

Ref	Part No.	Qty.	Description
1	99-1593-03	1	Bail-Brake
2	99-1582	1	Handle-Control
3	99-1595	1	Retainer-Cable, Brake
4	46-8091	1	Screw-HWH
5	99-1589	1	Lever-Traction
6	99-1588	1	Bar-Control, Traction
7	99-6008	1	Retainer-Control Rod, Traction
8	94-4496	10	Screw-PPH
9	100-1186	1	Cable-Brake
11	95-4453	1	Screw
12	99-5239	1	Anchor-Cable
13	3256-1	1	Washer-Flat
14	3296-73	2	Nut-Lock, NI
15	99-1584	1	Cable-Traction
16	99-5248-03	2	Latch-Handle
17	27-7210	2	Screw-Shoulder
19	3296-47	1	Nut-Lock, NI
20	3296-72	3	Nut-Lock, NI
21	3-3287	2	Spacer-Latch, Handle
22	27-7211	2	Screw-Shoulder
23	99-5249-05	1	Handle-Lower
24	98-7134	4	Knob-Handle
25	99-6019	2	Screw-CARR
26	92-2260	2	Screw-Handle

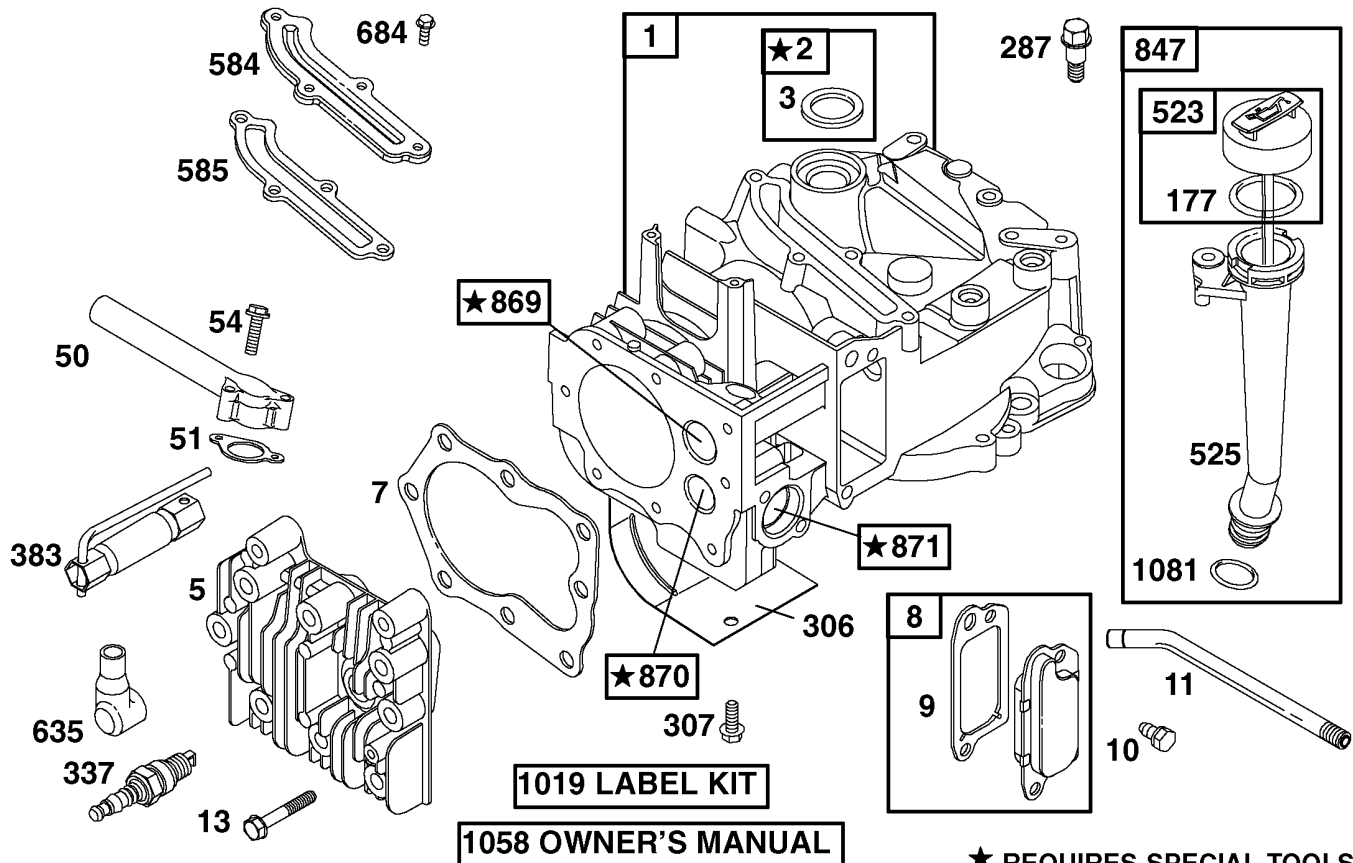
Ref	Part No.	Qty.	Description
27	99-1596-05	1	Handle-Upper
28	86-9671	1	Guide-Rope
29	99-1590	2	Guide-Handle, Control
30	99-6339	1	Cover-Handle
31	99-1592	1	Spring-Torsion, RH
32	99-6009	1	Decal - Console

WIRING DIAGRAM



Battery and Switch Assembly

Ref	Part No.	Qty.	Description
1	32144-97	1	Screw-PPH, Plastite
2	63-8360	1	Key-Ignition
3	218-461	1	Nut-HH
4	3254-5	1	Washer-Tooth
5	99-6006	1	Switch-Holder
6	46-5780	1	Switch-Starter
6:1	3254-5	1	Washer-Tooth
6:2	218-461	1	Nut-HH
7	104-7682	1	Battery ASM-Panasonic
7:1	104-7900	1	Box-Battery
7:2	104-7901	1	Cover-Battery
7:3	104-7903	1	Battery-12V
8	100-1037	1	Harness-Wire
9	37-7262	1	Screw-Special
10	32144-32	1	Screw
●	104-7401	1	Charger-12 Volt
●	104-7953	1	Decal-Harness
●	99-6124	2	Fuse-40 Amp



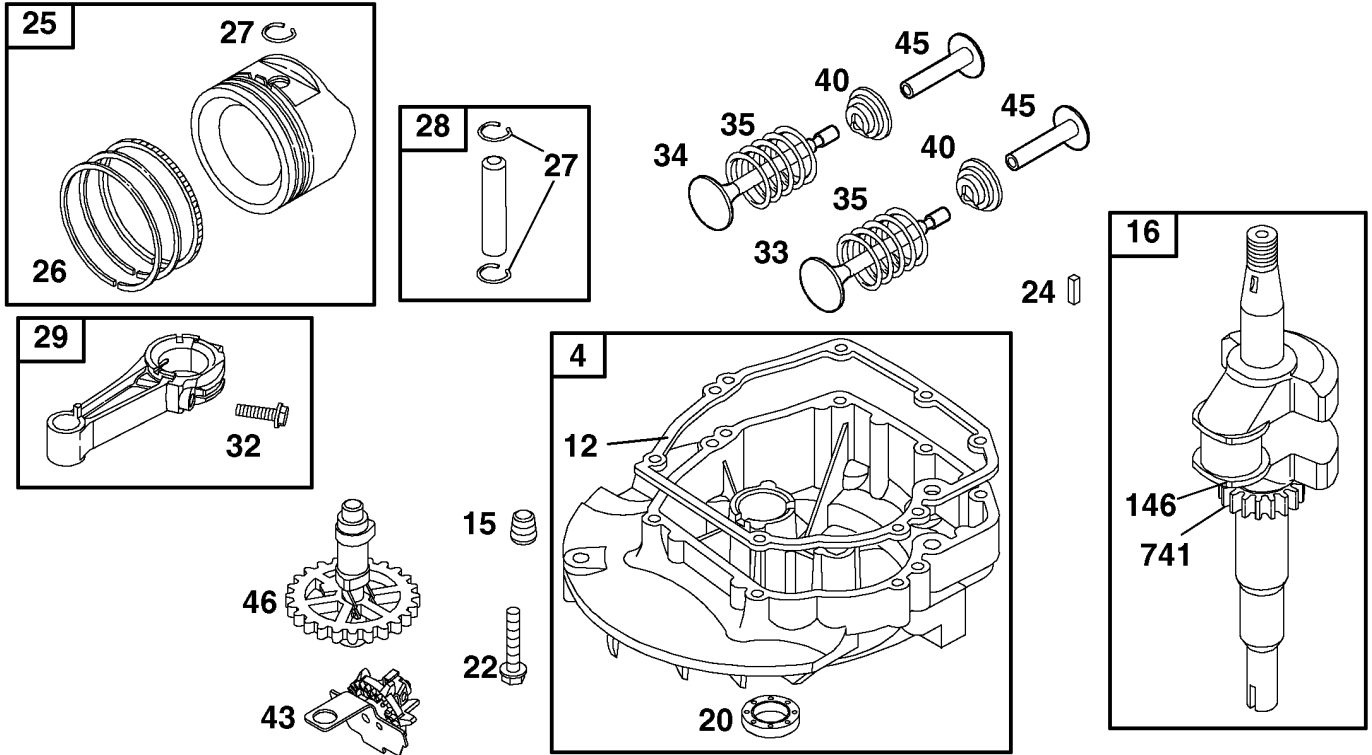
Assemblies include all parts shown in frames.

★ REQUIRES SPECIAL TOOLS TO INSTALL. SEE REPAIR INSTRUCTION MANUAL.

Cylinder Assembly Briggs And Stratton Model 12h807-1775-E1

Ref	Part No.	Qty.	Description
2	399269	1	Bushing/Seal Kit
★23	299819	1	Seal-Oil
5	691160	1	Head-Cylinder
★57	272916	1	Gasket-Cylinder Hd
8	495786	1	Breather ASM
★59	272481	1	Gasket-Breather
10	94650	1	Screw-Hex.
11	231685	1	Sheave
13	94547	1	Screw-Hex.
50	497465	1	Manifold-Intake
★51	272199	1	Gasket-Intake
54	94526	1	Screw-Hex
★177	280393	1	O-Ring Seal
287	94511	1	Screw-Hex.
306	690450	1	Shield-Cylinder
307	94515	1	Screw-Sem
337	802592	1	Plug-Spark
383	89838	1	Wrench-Plug, Spark
523	495264	1	Dipstick
525	495265	1	Tube-Dipstick
584	692342	1	Cover-Breather Passage
★585	272238	1	Gasket-Breather
635	66538	1	Boot-Plug, Spark
684	94515	1	Screw-Sem

Ref	Part No.	Qty.	Description
847	495263	1	Tube-Oil Filler
869	691155	1	Seat-Valve (Intake)
870	690380	1	Seat-Valve (Exhaust)
871	262001	1	Bushing-Guide (Exhaust)
1019	494256	1	Label Kit
1058	273693	1	Owner-S Manual
★1081	280966	1	O-Ring Seal

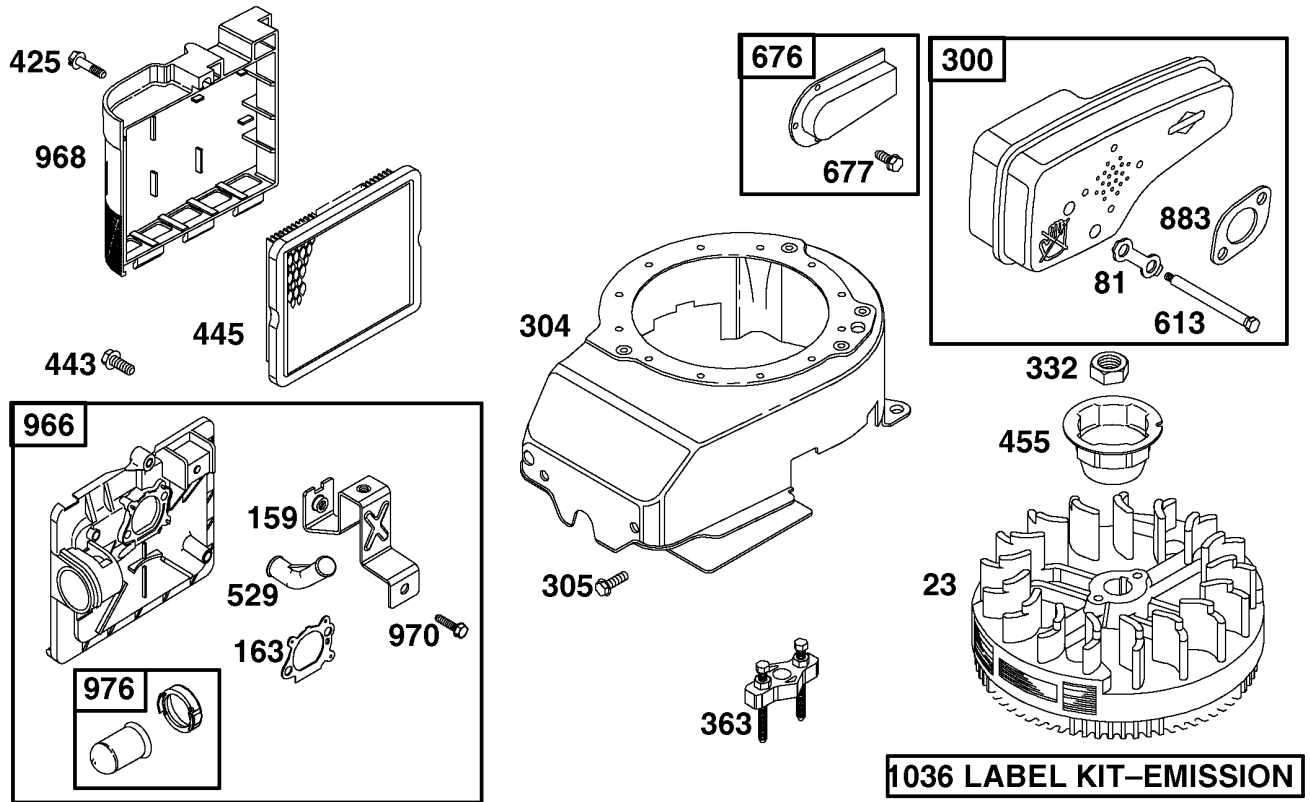


Assemblies include all parts shown in frames.

Crankshaft Assembly Briggs And Stratton Model 12h807-1775-E1

Ref	Part No.	Qty.	Description
4	493279	1	Sump-Engine
12	272198	1	Gasket
15	94880	1	Oil Drain Plug
16	694079	1	Crankshaft
20	399781	1	Seal-Oil
22	94220	1	Screw-Hex. Head
	94612	1	Screw Hex. Head
24	222698	1	Key
25	499429	1	Piston ASM. (Standard)
	499430	1	Piston ASM
	499431	1	Piston ASM. (.020" O.S.)
	499432	1	Piston ASM. (.030" O.S.)
26	499425	1	Ring Set (Standard)
	499426	1	Ring Set (.010" O.S.)
	499427	1	Ring Set (.020In Oversize)
	499428	1	Ring Set (.030" O.S.)
27	263190	1	Lock-Piston Pin
28	499423	1	Pin-Piston (STD)
	298908	1	Pin-Piston (.005In Undersize)
29	499424	1	Rod-Connecting
32	94699	1	Screw-Hex
33	262651	1	Valve-Exhaust
34	262652	1	Valve-Intake
35	262224	1	Spring-Value

Ref	Part No.	Qty.	Description
40	93312	1	Gear-Cam
43	493737	1	Oil Slinger
45	262204	1	Tappet-Valve
46	498275	1	Camshaft
146	94388	1	Key-Timing
741	262598	1	Gear-Timing

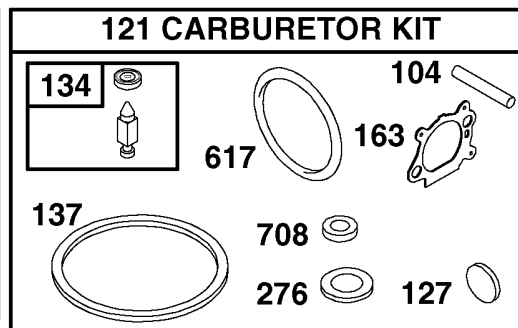
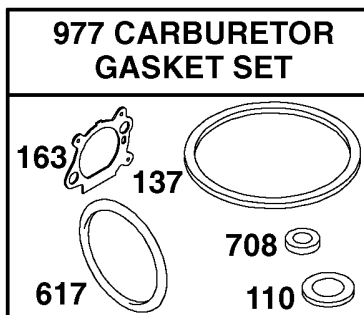
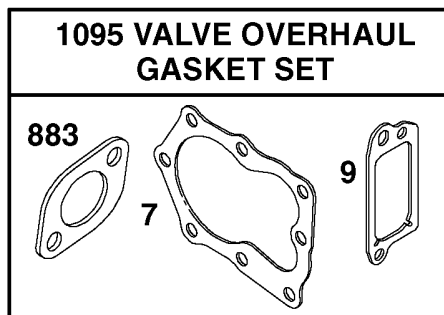
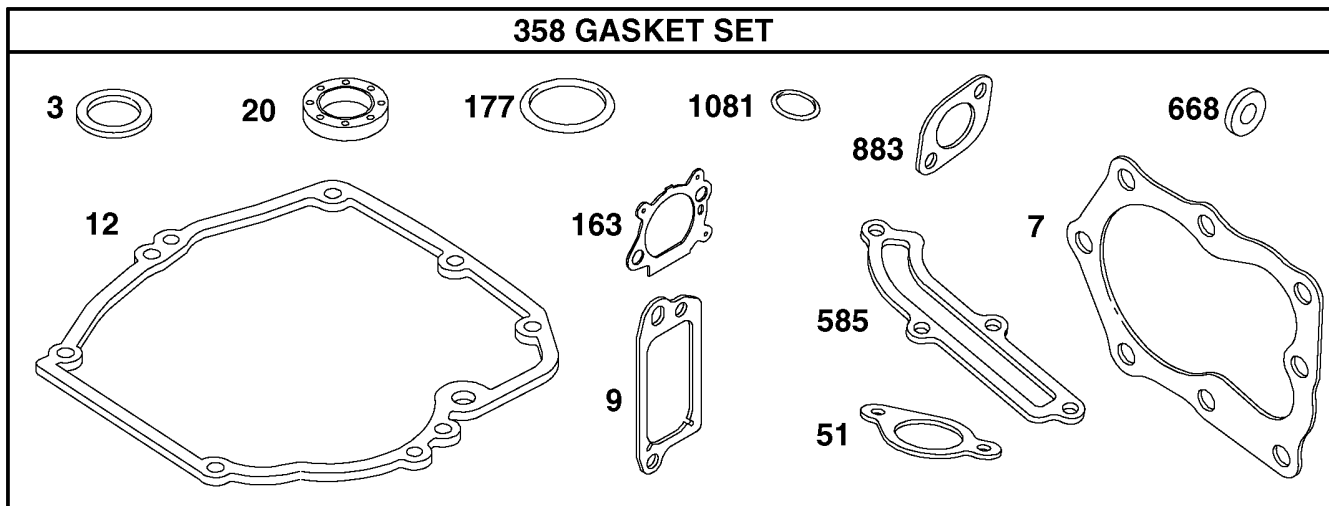


Assemblies include all parts shown in frames.

Blower Housing And Flywheel Assembly Briggs And Stratton Model 12h807-1775-E1

Ref	Part No.	Qty.	Description
23	492175	1	Flywheel
81	223664	1	Lock-Mumer Screw
159	224815	1	Strap-Bracket
2 5 163	272653	1	Gasket-Cleaner, Air
300	497838	1	Muffler-Exhaust
304	493293	1	Housing-Blower
305	94744	1	Screw-Hex
332	92284	1	Nut
363	19069	1	Puller-Flywheel
425	94872	1	Screw(A/C Cover)
443	94873	1	Screw-Hex.
445	491588	1	Filter-Cartridge, Air Cleaner
455	691219	1	Cup-Flywheel
529	281299	1	Grommet
613	94231	1	Screw-Shoulder
676	493871	1	Deflector-Muffler
677	93705	1	Screw
2 5 883	272253	1	Gasket-Exhaust
966	496116	1	Base-Primer, Air Cleaner
968	281340	1	Air Cleaner Cover
970	94749	1	Screw-Hex.
976	496115	1	Carburetorprimer
1036	499341	1	Emissions Label

--	--	--	--



Assemblies include all parts shown in frames.

Gasket Assembly Briggs And Stratton Model 12h807-1775-E1

Ref	Part No.	Qty.	Description
23	299819	1	Seal-Oil
257	272916	1	Gasket-Cylinder Hd
259	272481	1	Gasket-Breather
212	272198	1	Gasket
220	399781	1	Seal-Oil
251	272199	1	Gasket-Intake
4104	231371	1	Spring
34276	271716	1	Washer-Sealing
2177	280393	1	O-Ring Seal
121	498260	1	Carburetor Overhaul Kit
4127		1	Plug-Welch (Sold In Kit Only)
4134	398188	1	Needle/Seat Kit
34137	693981	1	Gasket-Bowl, Float
25163	272653	1	Gasket-Cleaner, Air
4			
358	497316	1	Engine Gasket Set
2585	272238	1	Gasket-Breather
34617	270344	1	Seal-O Ring
34708	691321	1	Seal-Shaft, Choke/Throttle
2668	493823	1	Spacer (Includes 2)
25883	272253	1	Gasket-Exhaust
977	498261	1	Carburetor Gasket Set
21081	280966	1	O-Ring Seal
1095	498528	1	Valve Gasket Set

NOTES

NOTES

NOTES

