



## 22in Recycler<sup>®</sup> Lawnmower

Model No. 20013 - 260000001 and up.

### Parts Catalog

---

#### **Ordering Replacement Parts**

To order replacement parts, please supply the part number, the quantity, and the description of each part desired.

#### **Understanding Reference Numbers**

Each identified part in an illustration has a reference number. The reference number for a part also appears in the parts list, along with other information about the part.

This catalog uses two special reference number formats, one to indicate parts in a service assembly and another to indicate the quantity of a given part in an illustration.

#### **Service Assembly Reference Numbers**

Parts in service assemblies have reference numbers in the form a:b. The a represents the reference number of the entire service assembly and the b represents a sequential number unique to each part within the service assembly.

For example, a wheel assembly might be identified by reference number 6, the tire by 6:1, the valve by 6:2, and the wheel by 6:3. When you order the assembly identified by reference number 6, you receive all parts identified by reference numbers 6:1, 6:2, and 6:3. However, you may also order any part individually. Reference numbers of this type appear in illustrations and in part lists.

#### **Reference Numbers Indicating Quantity**

In an illustration, if a reference number indicates more than one part, the reference number has the form nX y. The n represents the quantity of the part, the X is the multiplication symbol, and the y represents the reference number.

For example, in an illustration, the reference number 2X 37 means that two of the parts identified by reference number 37 are indicated.

## Contents

Description	Page	Description	Page
Deck, Side Chute and Rear Door Assembly	..... 3	Engine Assembly Tecumseh Lv195ea-362003b	..... 10
Front Axle and Wheel Assembly	..... 4	Engine Assembly Tecumseh Lv195ea-362003b (continued)	..... 12
Rear Axle and Transmission Assembly	..... 5	Carburetor Assembly No. 640303 Tecumseh Model No. Lv195ea-362003b	..... 14
Transmission Assembly No. 106-3956	..... 6	Recoil Starter Assembly No. 590739 Tecumseh No. Lv195ea-362003b	..... 15
Engine and Blade Assembly	..... 7	Recoil Starter Assembly No. 590702 (Optional) Tecumseh Lv195ea-362003b	..... 16
Handle Assembly	..... 8		
Rear Bag Assembly	..... 9		

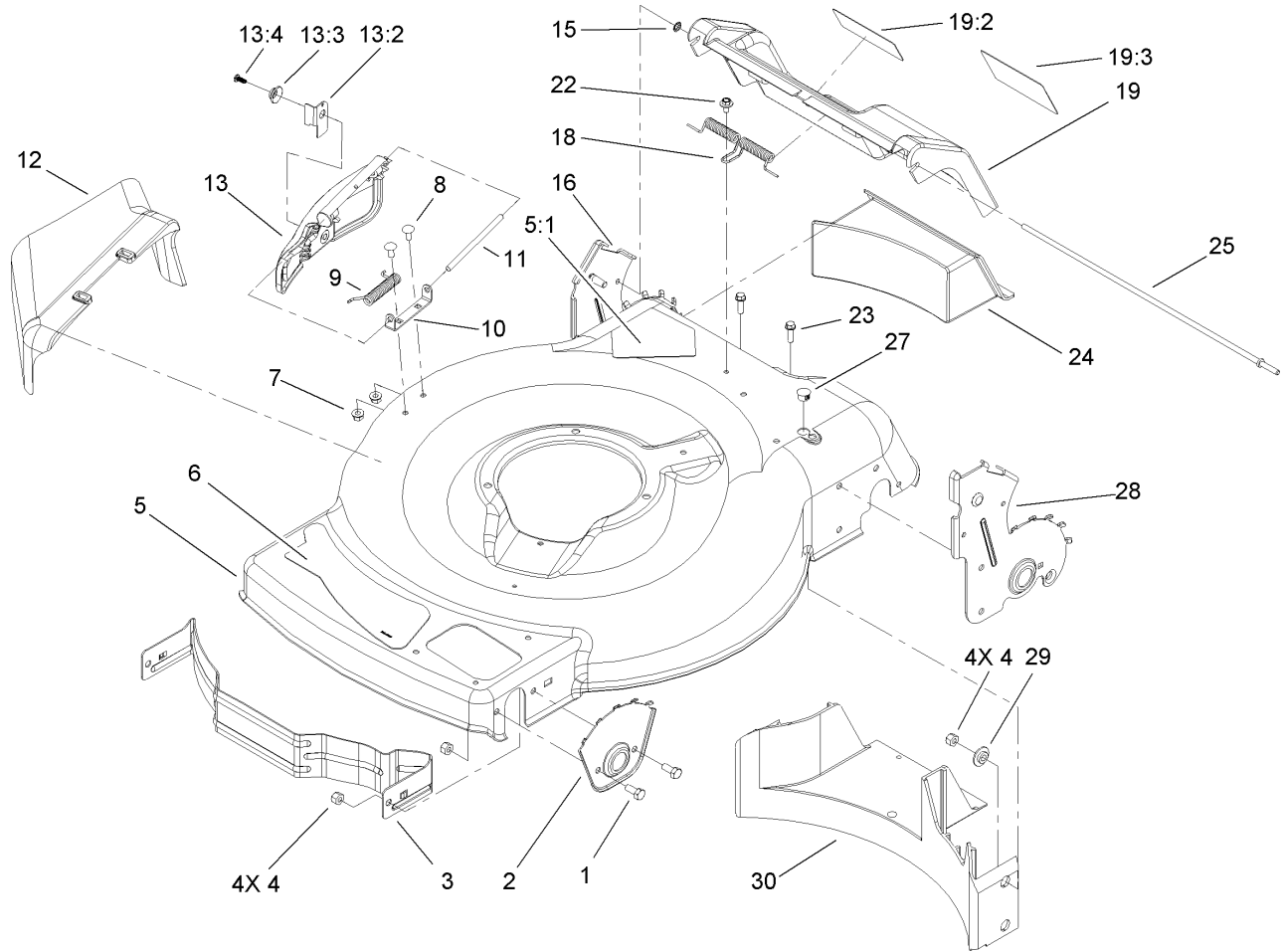
## Part Description Abbreviations

Part descriptions in this catalog may include the following abbreviations.

AR. .... as required	INC. .... incorporated
ASM. .... assembly	LH. .... left hand
BBC. .... blade brake clutch	NI. .... nylon insert
CARR. .... carriage	NPTF. .... national pipe thread fine
DEG. .... degrees	PFH. .... phillips flat head
EXT. .... external	PPH. .... phillips pan head
FH. .... flat head	PPHTF. .... phillips pan head thread forming
GA. .... gauge	PRH. .... phillips round head
HF. .... hex flange	PTH. .... phillips truss head
HH. .... hex head	PTO. .... power-take-off
HHF. .... hex head flange	RH. .... right hand
HHFTF. .... hex head flange thread forming	ROPS. .... roll-over-protection-system
HJ. .... hex jam	SFH. .... slotted fillister head
HLH. .... hex lag head	SHH. .... slotted hex head
HOC. .... height-of-cut	SHWH. .... slotted hex washer head
HSBH. .... hex socket button head	SPH. .... slotted pan head
HSFH. .... hex socket flat head	SQH. .... square head
HSH. .... hex socket head	SRH. .... slotted round head
HWH. .... hex washer head	STD. .... standard
HWHTF. .... hex washer head thread forming	TAP. .... self tapping
HYD. .... hydraulic	TTH. .... torx truss head

## Footnotes

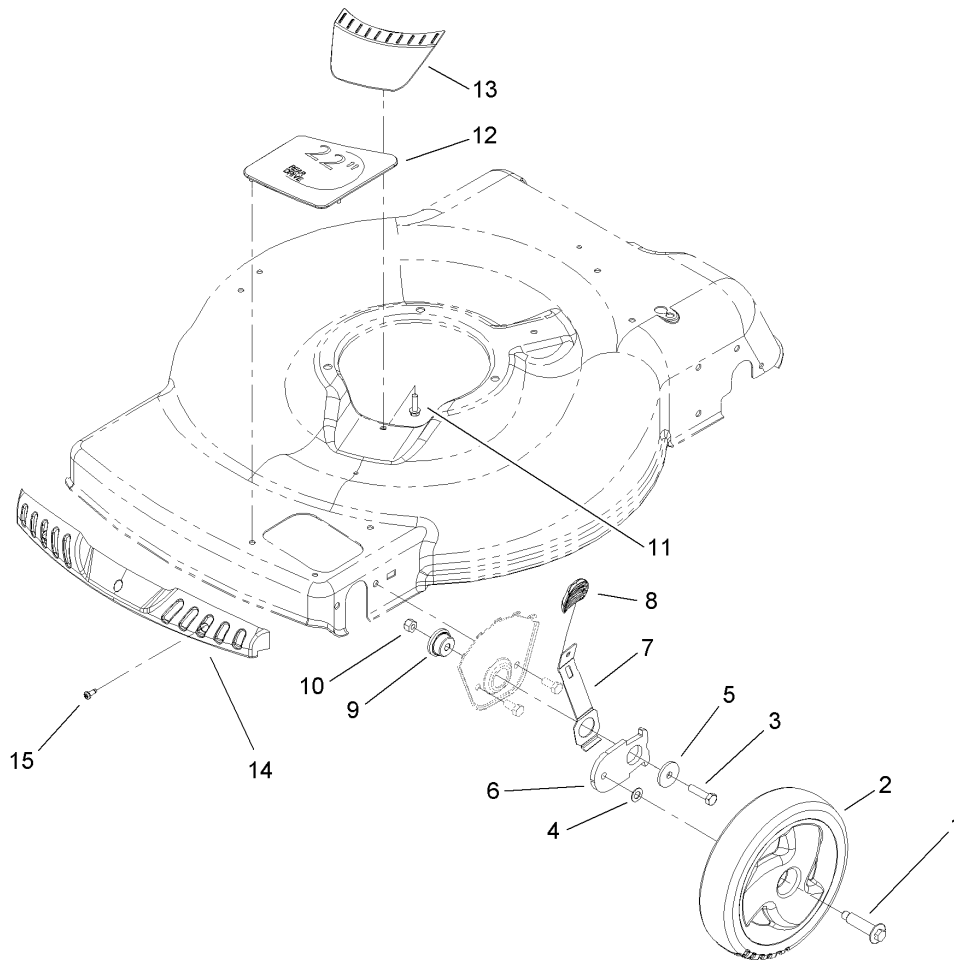
- ❶ Not illustrated
- ❷ Obtain from your local Tecumseh dealer
- ❸ Not serviced separately



## Deck, Side Chute and Rear Door Assembly

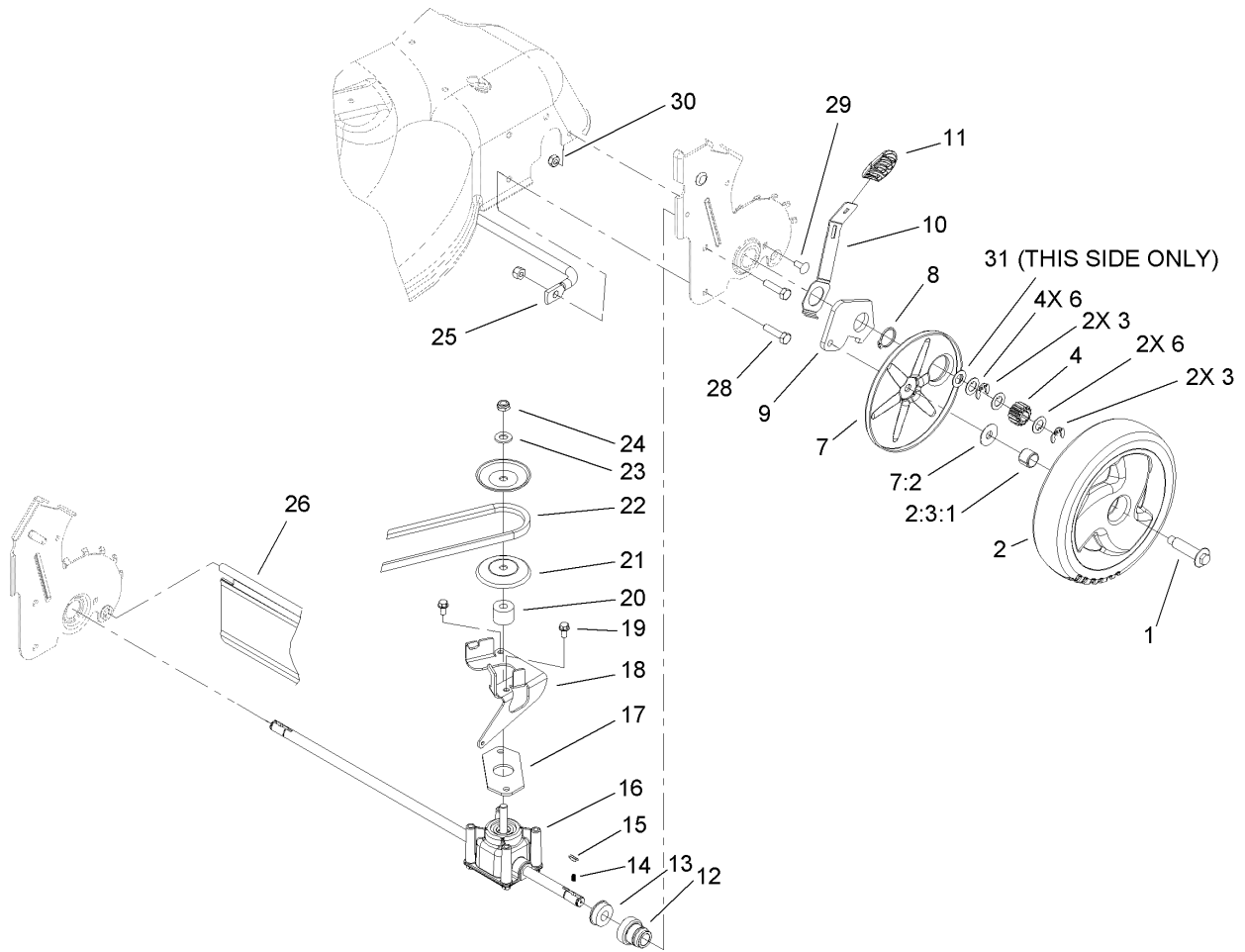
Ref	Part No.	Qty.	Description
1	322-3	4	Screw-HH
2	105-1808-03	2	Plate-HOC, Front
3	104-8694-03	1	Baffle-Front
4	3296-29	8	Nut-Lock, NI
5	104-7916	1	Housing
5:1	94-8072	1	Decal-Danger
6	105-1297	1	Decal-Deck
7	32128-32	2	Nut-HHF
8	3229-11	2	Screw-CARR
9	99-5293	1	Spring-Torsion
10	99-5292	1	Bracket-Cover
11	99-5291	1	Rod-Cover
12	105-3028	1	Chute-Discharge, Side
13	106-8376	1	Discharge Door ASM
13:2	107-0795	1	Latch-Door
13:3	107-7456	1	Cap-Door
13:4	107-7461	1	Screw-Plastite
15	32112-6	1	Nut-Push
16	107-0790	1	RH Rear HOC Plate ASM
18	105-3032	1	Spring-Door, Rear
19	105-1324	1	Rear Door ASM
19:2	104-7909	1	Decal-Warning
19:3	104-7908	1	Decal-Warning
22	46-6810	1	Screw And Washer ASM

Ref	Part No.	Qty.	Description
23	46-8091	2	Screw-HWH
24	105-1842	1	Plug-Discharge, Rear
25	105-1827	1	Rod-Pivot, Rear Door
27	104-9369	1	Plug-Dome
28	107-0783	1	LH Rear HOC Plate ASM
29	105-3006	4	Washer-Stepped
30	105-1834	1	Baffle-Rear



### Front Axle and Wheel Assembly

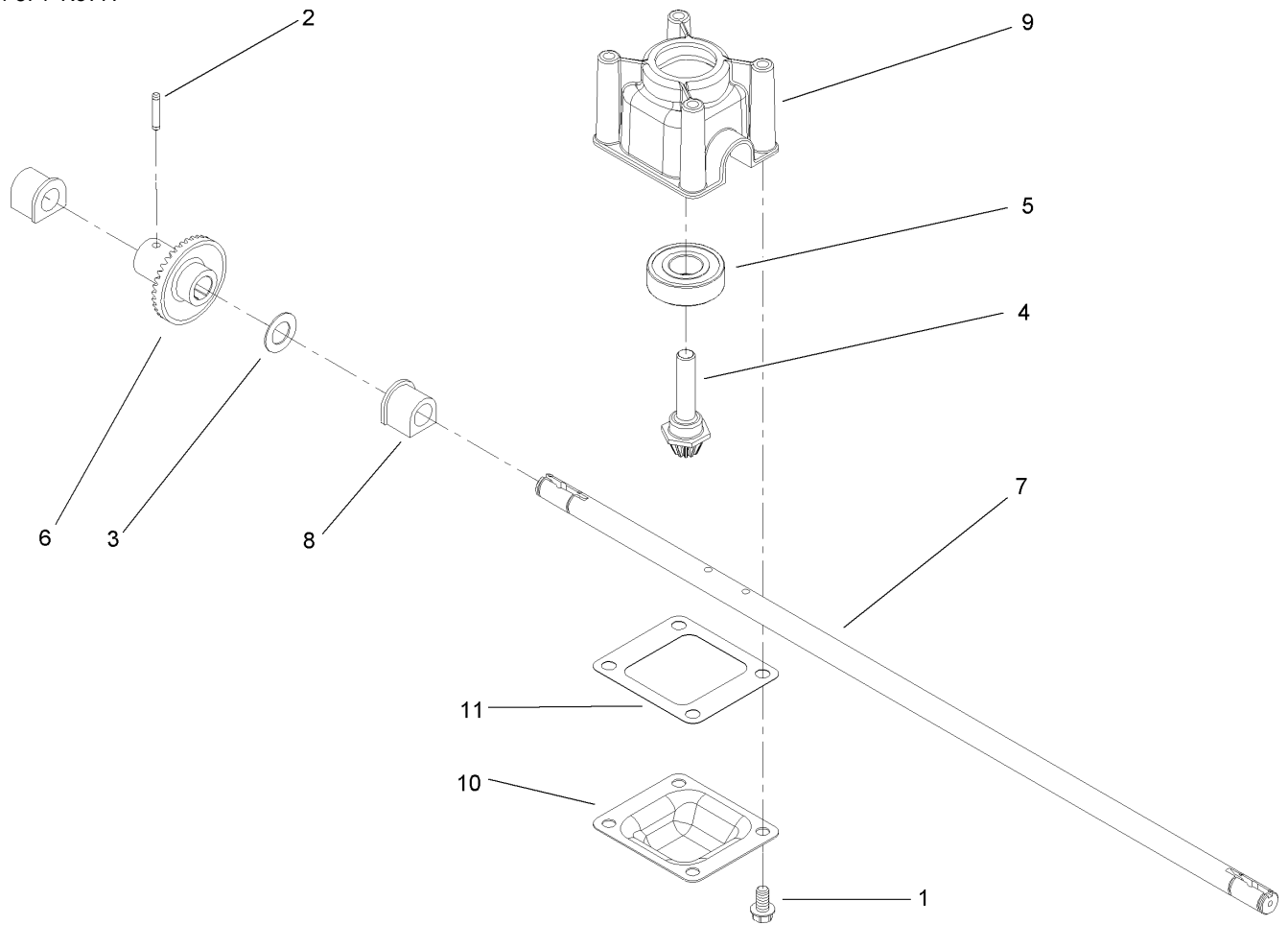
Ref	Part No.	Qty.	Description
1	614650	2	Bolt-Shoulder
2	105-1814	2	Wheel ASM
3	322-6	2	Screw-HH
4	40-1940	2	Washer
5	105-3048	2	Washer-Flat
6	105-1807	2	Arm-Pivot, Front
7	105-1809	2	Arm-Spring
8	105-3042	2	Knob-Lever, HOC
9	105-1818	2	Bushing-Mount, HOC
10	3296-29	2	Nut-Lock, NI
11	46-8091	1	Screw-HWH
12	105-3004	1	Cover-Cutout
13	105-3005	1	Cover-Belt Opening
14	104-9359	1	Bumper-Mower
15	105-6849	3	Screw-Thread Forming



## Rear Axle and Transmission Assembly

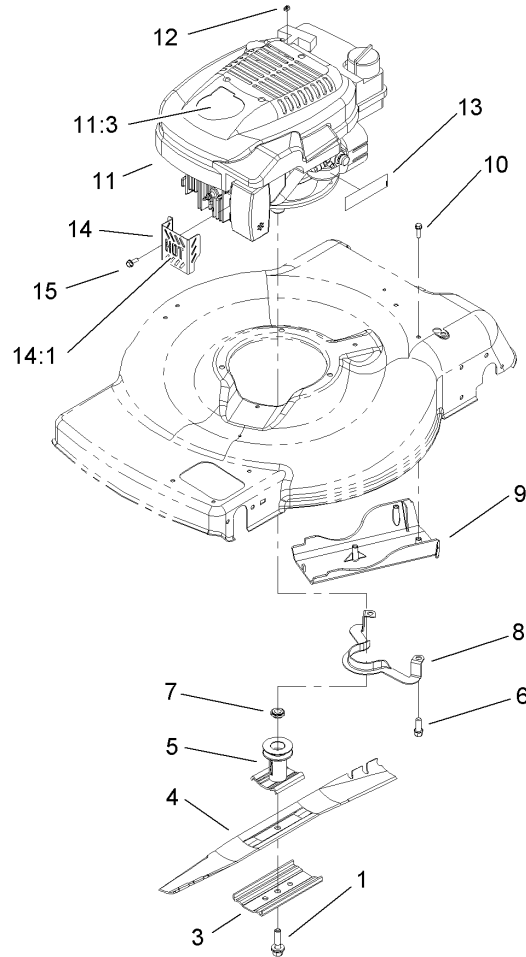
Ref	Part No.	Qty.	Description
1	614650	2	Bolt-Shoulder
2	105-3036	2	Wheel Gear ASM
1 2:3		1	Wheel ASM
2:3:1	27-6250	2	Bushing
3	65-2720	4	Klipring-Locking
4	105-3040	2	Gear-Pinion, 15T
6	105-6840	6	Washer-Thrust
7	108-3794	2	Cover-Wheel
1 2:7:1		1	Cover
7:2	614426	1	Washer-Stepped
8	32151-36	2	Ring-Retaining
9	105-1819	2	Arm-Pivot, Rear
10	105-1809	2	Arm-Spring
11	105-3042	2	Knob-Lever, HOC
12	104-8698	2	Retainer-Bearing, HOC
13	104-8699	2	Bearing-Ball
14	39-9650	2	Spring-Compression
15	612066	2	Key
16	106-3956	1	Transmission ASM
17	108-9756	1	Gasket-Gearbox
18	106-6809-03	1	Bracket-Pivot
19	32144-4	2	Screw-HWH
20	92-5791	1	Spacer
21	100-1176	2	Pulley-Half

Ref	Part No.	Qty.	Description
22	91-2258	1	V-Belt
23	3256-24	1	Washer-Flat
24	3296-5	1	Nut-Lock
25	105-1811	1	Brace-Plate, HOC
26	105-1843	1	Shield-Trailing
28	322-6	4	Screw-HH
29	3229-11	2	Screw-CARR
30	3296-16	2	Nut-Lock, NI
31	36-4780	1	Washer



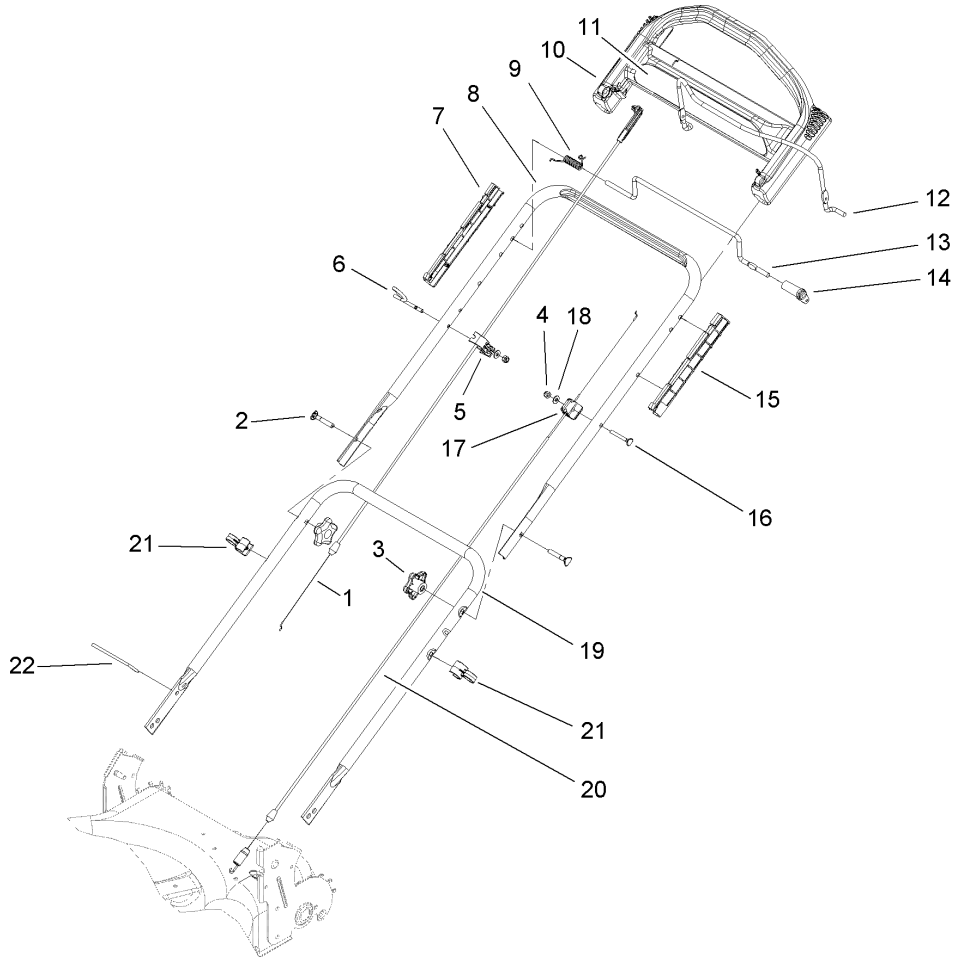
## Transmission Assembly No. 106-3956

Ref	Part No.	Qty.	Description
1	32144-4	4	Screw-HWH
2	3285-19	1	Pin-Groove
3	36-4780	1	Washer
4	92-5790	1	Pinion
5	100-1048	1	Bearing-Ball
6	104-8671	1	Gear-Bevel, 37T
7	106-3957	1	Shaft-Output
8	104-8673	2	Bushing-Shaft, Output
9	104-8674	1	Gearcase-Upper
10	104-8675-03	1	Cover-Gearcase
11	105-6839	1	Gasket-Gearcase

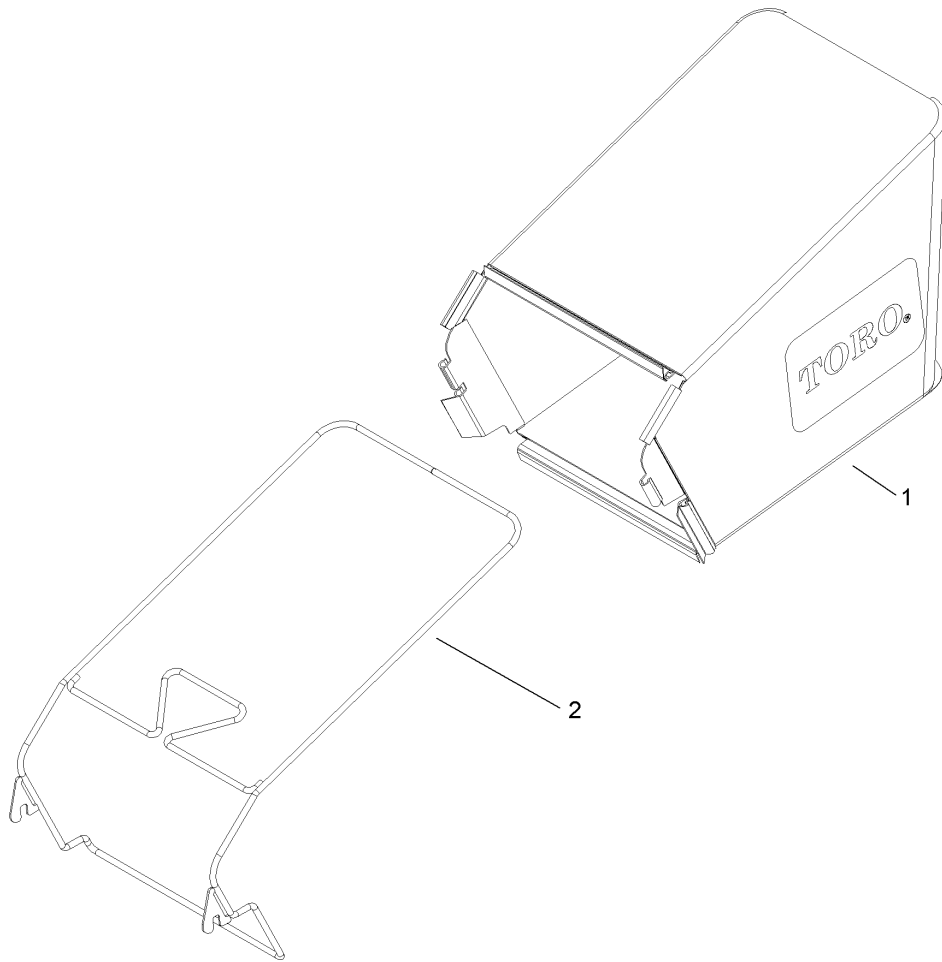
## Engine and Blade Assembly

Ref	Part No.	Qty.	Description				
1	105-8579	1	Bolt-Blade				
3	108-3766-03	1	Support-Blade				
4	104-8697-03	1	Blade-22 Inch				
5	106-3987	1	Blade Driver ASM				
6	95-1726	3	Screw-Taptite				
7	106-3999	1	Spacer-Driver				
8	105-3030-03	1	Guide-Belt				
9	105-1835	1	Cover-Belt, Rear				
10	46-8091	3	Screw-HWH				
11		1	Engine-Tecumseh, Lev195Ea-362003B				
11:3	108-8109	1	Decal-Shroud				
12	92-1701	1	Stop-Rope				
13	105-6832	1	Decal-Primer				
14	106-8387	1	Muffler Guard ASM				
14:1	106-5517	1	Decal-Surface, Hot				
15	32144-85	1	Screw-HWH				



## Handle Assembly

Ref	Part No.	Qty.	Description				
1	104-8676	1	Cable-Brake				
2	92-2260	2	Screw-Handle				
3	106-4161	2	Knob-Handle				
4	3296-73	2	Nut-Lock, NI				
5	106-8331	1	Anchor-Cable				
6	106-8330	1	Guide-Rope				
7	105-6841	2	Guide-RH				
8	104-8680-05	1	Handle-Upper				
9	104-8690	1	Spring-Torsion				
10	104-8678	1	Handle-Control				
11	105-3033	1	Decal-Handle, Control				
12	104-8679-03	1	Bail-Brake				
13	99-1588	1	Bar-Control, Traction				
14	99-1589	1	Lever-Traction				
15	105-6842	2	Guide-LH				
16	95-4453	1	Screw				
17	92-7729	1	Anchor-Cable, Upper				
18	3256-1	2	Washer-Flat				
19	107-0784-05	1	Handle-Lower				
20	105-1844	1	Cable-Traction				
21	106-6805	2	Guide-Cable				
22	614249	1	Strap-Tie				

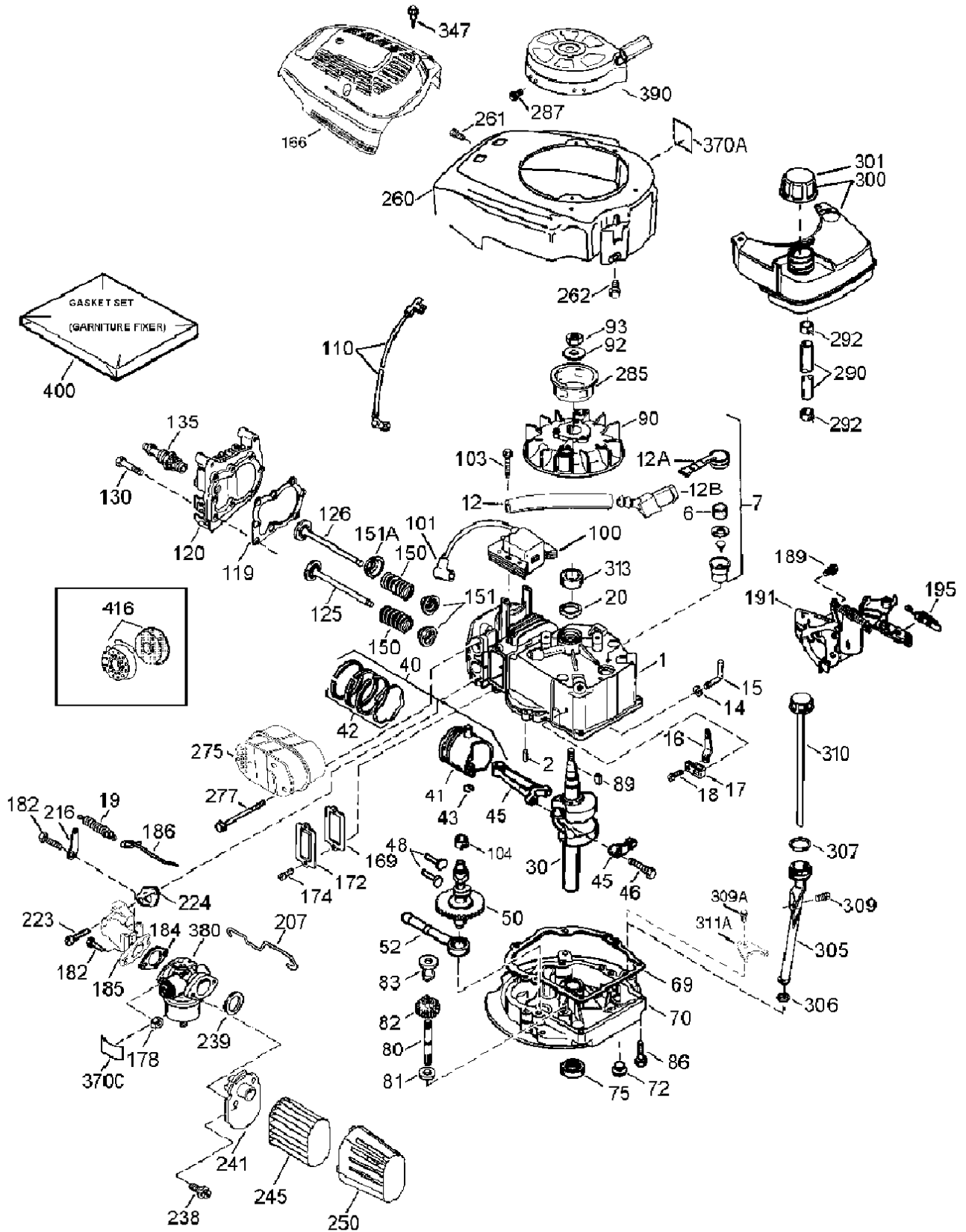


### Rear Bag Assembly

Ref	Part No.	Qty.	Description
1	107-3779	1	Grass Bag ASM
2	107-3785-03	1	Bag Frame ASM

# Engine Assembly

## Tecumseh Lv195ea-362003b



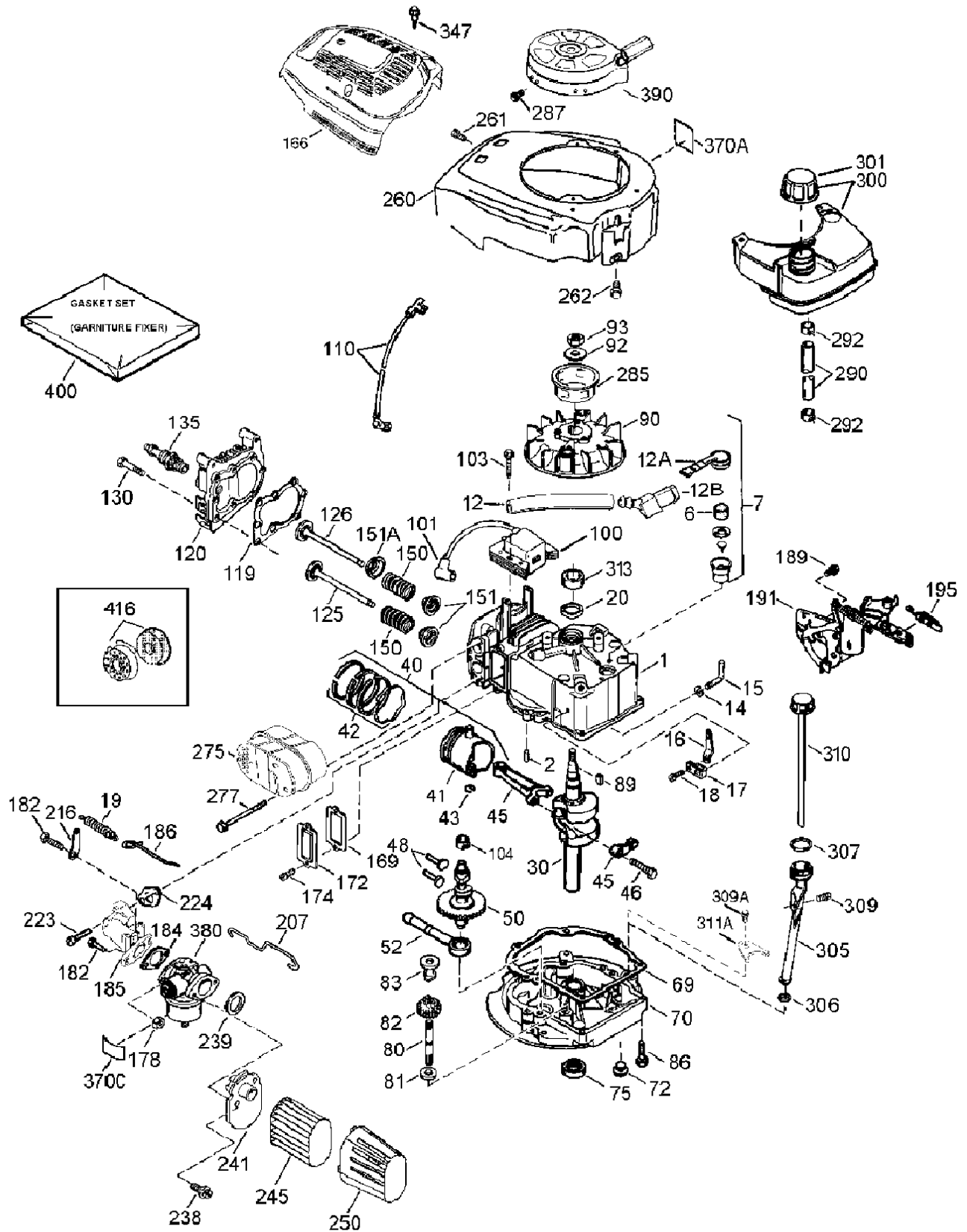
# Engine Assembly

## Tecumseh Lv195ea-362003b

Ref	Part No.	Qty.	Description	Ref	Part No.	Qty.	Description
①1	37465	1	Cylinder	①125	37288	1	Valve-Exhaust (STD.) (Incl. Ref. #151)
①2	26727	2	Pin-Dowel	①126	37289	1	Valve-Intake (STD.) (Incl. Ref. #151 And 151A)
①6	33734	1	Element-Breather	①130	6021A	8	Screw (5/16-18 X 1-7/16In)
①7	36557	1	Breather ASM (Incl. Ref. #6 And 12A)	①135	35395	1	Spark Plug-Resistor (Rj19Lm)
①12	36775	1	Tube-Breather	①150	31672	2	Spring-Valve
①12A	36558	1	Breather Cover And Tube (Incl. Ref. #12B)	①151	31673	2	Cap-Spring, Valve
①12B	36694	1	Elbow-Tube, Breather	①151A	40017	1	Seal-Valve, Intake
①14	28277	1	Washer	①166	37694	1	Shroud-Engine
①15	30589	1	Governor Rod (Incl. Ref. #14)	①*169	36783	1	Gasket-Cover, Valve
①16	34839A	1	Lever-Governor	①172	36784	1	Cover-Valve
①17	31335	1	Clamp-Lever, Governor	①174	30200	2	Screw (10-24 X 9/16In)
①18	651018	1	Screw	①178	29752	2	Nut And Lock Washer ASM
①19	36281	1	Spring-Extension	①182	6201	2	Screw (1/4-28 X 7/8In)
①20	32600	1	Seal-Oil	①*184	26756	1	Gasket-Carburetor To Intake Pipe
①30	37692	1	Crankshaft	①185	37466	1	Pipe-Intake
①40	40027	1	Piston Pin And Ring Set (STD)	①186	32653	1	Link-Governor
①41	40042	1	Piston And Pin ASM (STD.) (Incl. Ref. # 43)	①189	650839	2	Screw (1/4-20 X 3/8In)
①42	40006	1	Ring Set (STD)	①191	36559A	1	Bracket-S.E. Brake (Incl. Ref. #195)
①43	20381	2	Ring-Retaining	①195	610973	1	Terminal
①45	36777	1	Connecting Rod ASM (Incl. Ref. #46)	①207	34336A	1	Link-Throttle
①46	32610A	2	Bolt-Rod, Connecting	①216	33086	1	Lever-Adjusting, R.P.M.
①48	27241	2	Lifter-Valve	①223	650451	2	Screw (1/4-20 X 1In)
①50	37460	1	Camshaft (Exhaust Mcr) (Incl. Ref. #104)	①*224	36786	1	Gasket-Pipe, Intake
①52	29914	1	Oil Pump ASM	①238	650932	2	Screw (10-32 X 49/64In)
①*69	37609	1	Gasket-Flange, Mounting	①*239	34338	1	Gasket-Cleaner, Air
①70	37608	1	Flange-Mounting (Incl. Ref. #72-83,306,309A & 311A)	①241	36919	1	Collar-Cleaner, Air
①72	37614	1	Plug-Drain, Oil	①245	36905	1	Filter-Cleaner, Air
①75	27897	1	Seal-Oil	①250	37122	1	Cover-Cleaner, Air
①80	30574A	1	Shaft-Governor	①260	37696A	1	Housing-Blower
①81	30590A	1	Washer	①261	30200	2	Screw (10-24 X 9/16In)
①82	30591	1	Governor Gear ASM (Incl. Ref. #81)	①262	650831	2	Screw (1/4-20 X 1/2In)
①83	30588A	1	Spool-Governor	①275	37498	1	Muffler
①86	650488	6	Screw (1/4-20 X 1-1/4In)	①277	650988	2	Screw (1/4-20 X 2-9/32In)
①89	611004	1	Key-Flywheel	①285	35000A	1	Cup-Starter
①90	611112	1	Flywheel	①287	650926	2	Screw (8-32 X 21/64In)
①92	650815	1	Washer-Belleville	①290	29774	1	Line-Fuel
①93	650816	1	Nut-Flywheel	①292	26460	2	Clamp-Line, Fuel
①100	34443C	1	Ignition-Solid State	①300	35586A	1	Fuel Tank (Incl. Ref. #292 And 301)
①101	610118	1	Cover-Plug, Spark	①301	36246	1	Cap-Fuel
①103	651007	2	Screw	①305	35647	1	Tube-Fill, Oil
①104	37480	1	Bushing-Cam	①*306	37610	1	O-Ring
①110	37047	1	Wire-Ground	①307	35499	1	O-Ring
①*119	36787	1	Gasket-Cylinder Head	①309	650562	1	Screw (10-32 X 1/2In)
①120	36825	1	Head-Cylinder	①309A	650783	1	Screw (10-24 X 3/4In)
①125	36780	1	Valve-Exhaust (1/32In Os) (Incl. 151)	①310	35648	1	Dipstick
				①311A	37611	1	Bracket-Down, Hold
				①313	34080	1	Spacer
				①347	650898A	1	Screw (10-32 X 27/32In)

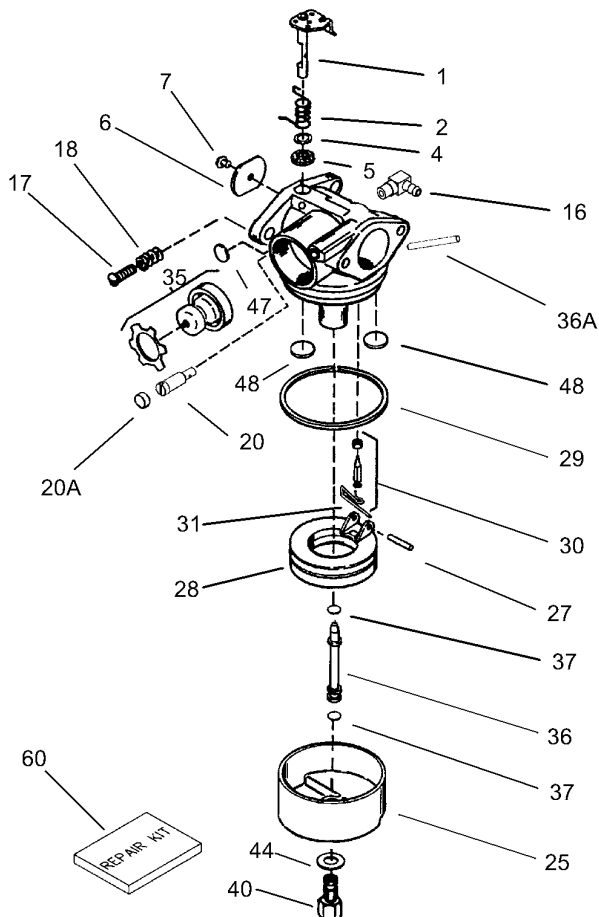
# Engine Assembly

## Tecumseh Lv195ea-362003b (continued)



## Engine Assembly Tecumseh Lv195ea-362003b (continued)

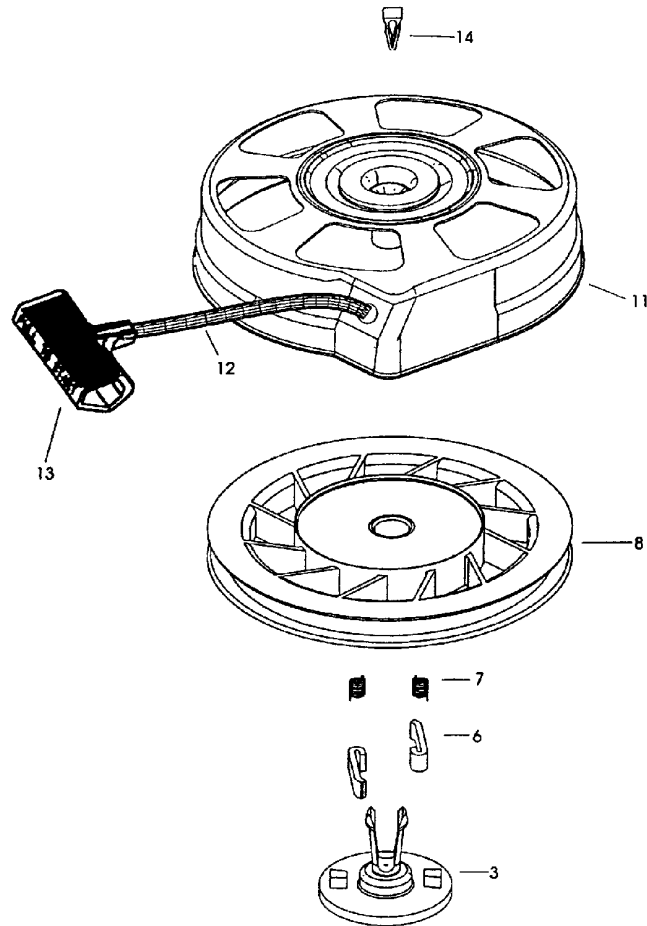
Ref	Part No.	Qty.	Description				
③370	35977	1	Decal-Warning				
③370A	36261	2	Decal-Lubrication				
③370C	37695	1	Decal-Primer				
③380	640303	1	Carburetor (Incl. Ref. #184)				
③390	590739	1	Starter-Rewind				
③400	37613	1	Gasket Set				
③416	37530	1	Spark Arrestor Kit (Optional)				
③	750876	1	Shortblock				



## Carburetor Assembly No. 640303 Tecumseh Model No. Lv195ea-362003b

Ref	Part No.	Qty.	Description
①0	640303	1	Carburetor (Incl. Ref. #184 Of Engine Parts List)
①1	631615	1	Throttle Shaft And Lever ASM
①2	631767	1	Spring-Return, Throttle
①*4	631184	1	Washer-Seal, Dust
①*5	631183	1	Seal-Dust, Throttle
①6	640070	1	Shutter-Throttle
①*7	650506	1	Screw-Shutter
①16	631807	1	Fitting-Fuel
①17	651025	1	Screw-Throttle Crack And Idle Speed
①18	630766	1	Spring-Tension
①20	640018	1	Screw-Idle Restrictor
①*20A	640200	1	Cap-Screw, Idle Restrictor
①25	631867	1	Bowl-Float
①*27	631024	1	Shaft-Float
①28	632802	1	Float
①*29	631028	1	O Ring-Bowl, Float
①*30	632807	1	Inlet Needle, Seat, & Clip (Incl. Ref. # 31)
①*31	631022	1	Clip-Spring
①35	640259	1	Primer Bulb/Retainer Ring
①36	640019	1	Tube-Main Nozzle
①36A	632766	1	Tube-Carburetor
①*37	632547	2	O Ring-Nozzle Tube, Main

Ref	Part No.	Qty.	Description
①40	640087	1	Nut-High Speed Bowl
①*44	27110A	1	Washer-Nut, Bowl
①*47	630748	1	Plug-Welch, Idle Mixture Well
①*48	631027	2	Plug-Welch, Atmospheric Vent
①60	632809	1	Repair Kit (Incl. Items Marked * In Notes)



## Recoil Starter Assembly No. 590739 Tecumseh No. Lv195ea-362003b

Ref	Part No.	Qty.	Description				
⑩0	590739	1	Starter-Rewind				
⑩3	590740	1	Retainer				
⑩6	590616	2	Dog-Starter				
⑩7	590617	2	Spring-Dog				
⑩8	590618A	1	Pulley And Rewind Spring ASM				
⑩11	590638A	1	Starter Housing ASM				
⑩12	590535	1	Rope-Starter (98In X 9/64In Diameter)				
⑩13	590701	1	Handle-Starter				
⑩14	590760	1	Clip-Spring				



## NOTES

# NOTES

# NOTES

