



53cm Super Recycler[®] Lawnmower

Model No. 20796 - 260000001 and up.

Parts Catalog

Ordering Replacement Parts

To order replacement parts, please supply the part number, the quantity, and the description of each part desired.

Understanding Reference Numbers

Each identified part in an illustration has a reference number. The reference number for a part also appears in the parts list, along with other information about the part.

This catalog uses two special reference number formats, one to indicate parts in a service assembly and another to indicate the quantity of a given part in an illustration.

Service Assembly Reference Numbers

Parts in service assemblies have reference numbers in the form a:b. The a represents the reference number of the entire service assembly and the b represents a sequential number unique to each part within the service assembly.

For example, a wheel assembly might be identified by reference number 6, the tire by 6:1, the valve by 6:2, and the wheel by 6:3. When you order the assembly identified by reference number 6, you receive all parts identified by reference numbers 6:1, 6:2, and 6:3. However, you may also order any part individually. Reference numbers of this type appear in illustrations and in part lists.

Reference Numbers Indicating Quantity

In an illustration, if a reference number indicates more than one part, the reference number has the form nX y. The n represents the quantity of the part, the X is the multiplication symbol, and the y represents the reference number.

For example, in an illustration, the reference number 2X 37 means that two of the parts identified by reference number 37 are indicated.

Contents

Description	Page	Description	Page
Housing Assembly	3	Carburetor Assembly Briggs and Stratton 122607-0116-E1	16
Housing Assembly No. 108-8115	4	Air Cleaner Assembly Briggs and Stratton 122607-0116-E1	17
Height-of-Cut and Front Wheel Assembly	5	Governor Assembly Briggs and Stratton 122607-0116-E1	18
Transmission Assembly	6	Muffler and Fuel Tank Assembly Briggs and Stratton 122607-0116-E1	19
Gear Case Assembly No. 108-8140	7	Blower Housing Assembly Briggs and Stratton 122607-0116-E1	20
Engine Assembly	8	Recoil Starter Assembly Briggs and Stratton 122607-0116-E1	21
Handle Assembly	9	Starter Assembly Briggs and Stratton 122607- 0116-E1	22
Electrical Assembly	10	Gasket Assembly Briggs and Stratton 122607- 0116-E1	23
Bag Assembly	11	Carburetor Overhaul Kit Assembly Briggs and Stratton 122607-0116-E1	24
Cylinder Assembly Briggs and Stratton 122607-0116-E1	12		
Cylinder Head Assembly Briggs and Stratton 122607-0116-E1	13		
Crankshaft Assembly Briggs and Stratton 122607-0116-E1	14		
Crankcase Assembly Briggs and Stratton 122607-0116-E1	15		

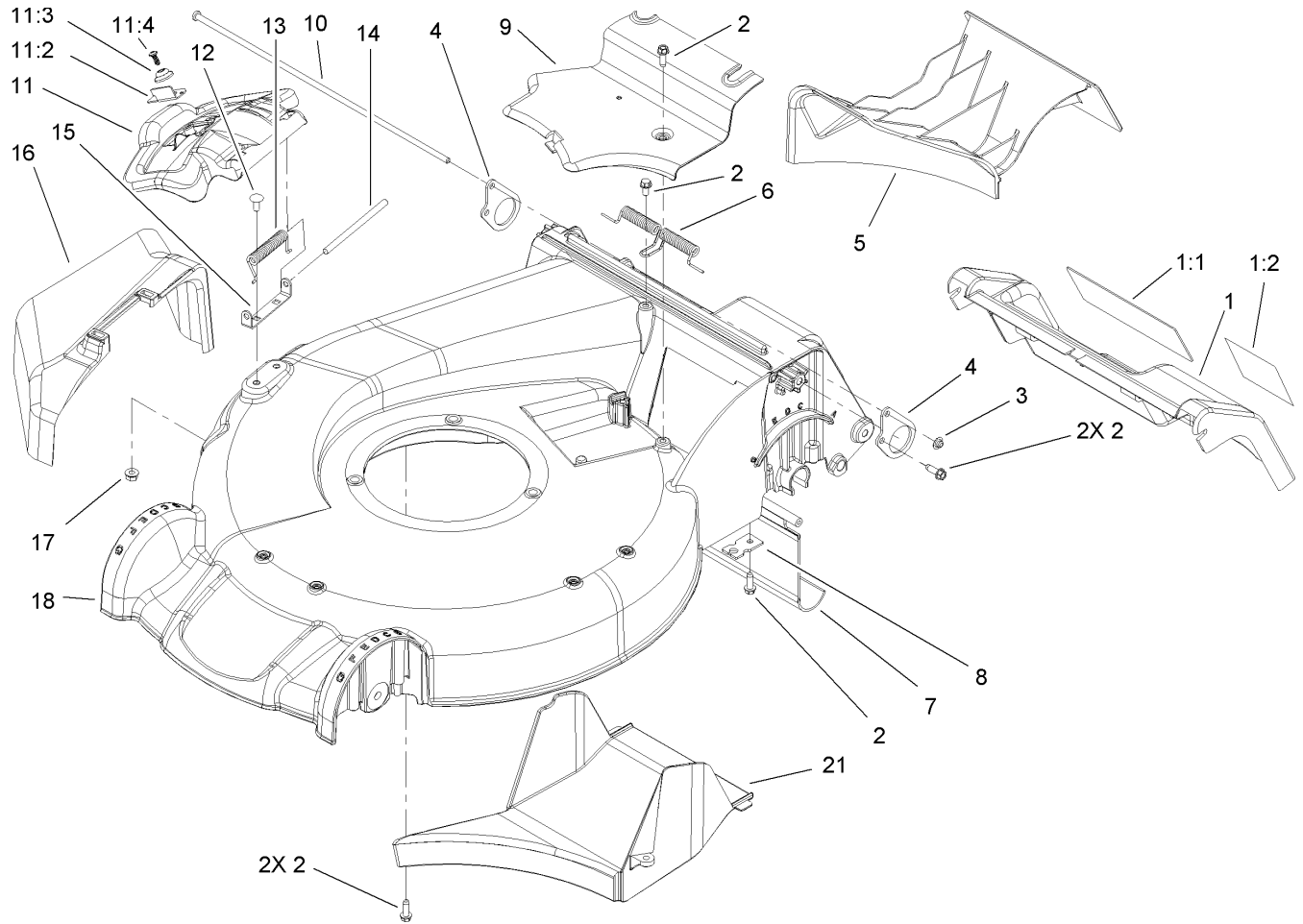
Part Description Abbreviations

Part descriptions in this catalog may include the following abbreviations.

AR. as required	INC. incorporated
ASM. assembly	LH. left hand
BBC. blade brake clutch	NI. nylon insert
CARR. carriage	NPTF. national pipe thread fine
DEG. degrees	PFH. phillips flat head
EXT. external	PPH. phillips pan head
FH. flat head	PPHTF. phillips pan head thread forming
GA. gauge	PRH. phillips round head
HF. hex flange	PTH. phillips truss head
HH. hex head	PTO. power-take-off
HHF. hex head flange	RH. right hand
HHFTF. hex head flange thread forming	ROPS. roll-over-protection-system
HJ. hex jam	SFH. slotted fillister head
HLH. hex lag head	SHH. slotted hex head
HOC. height-of-cut	SHWH. slotted hex washer head
HSBH. hex socket button head	SPH. slotted pan head
HSFH. hex socket flat head	SQH. square head
HSH. hex socket head	SRH. slotted round head
HWH. hex washer head	STD. standard
HWHTF. hex washer head thread forming	TAP. self tapping
HYD. hydraulic	TTH. torx truss head

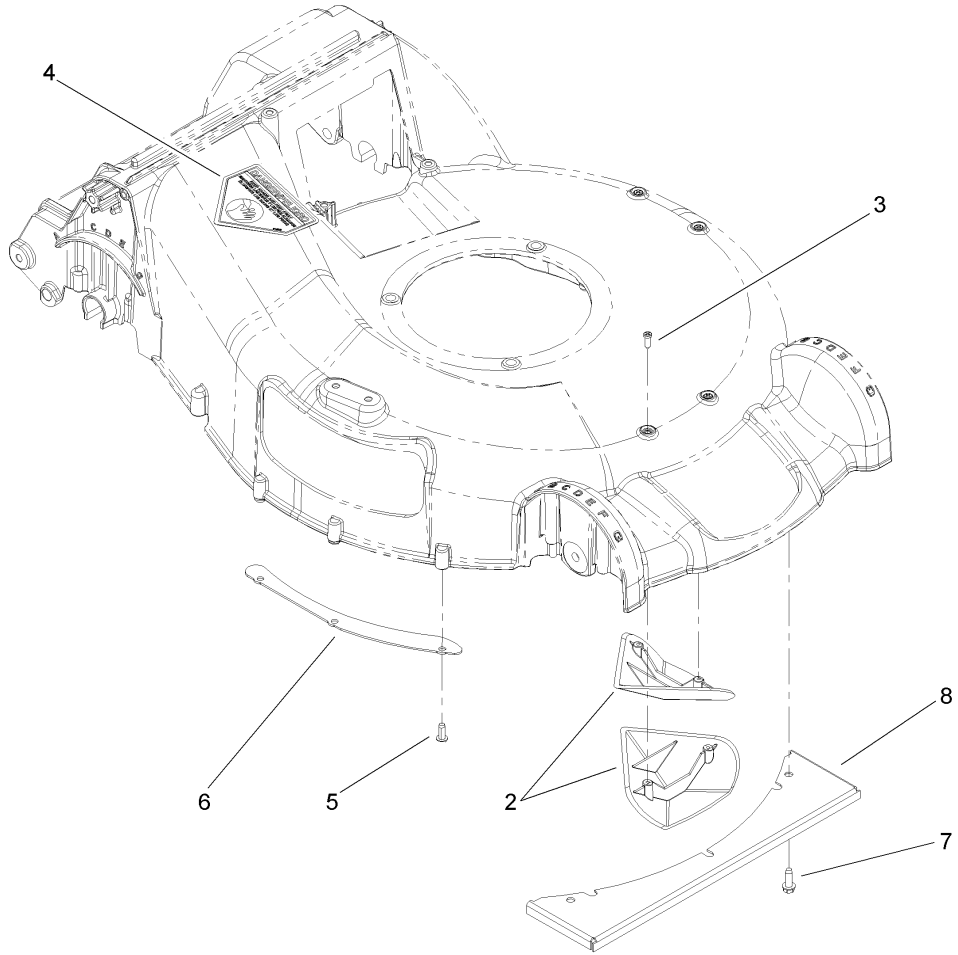
Footnotes

- | | |
|---|--|
| ❶ Not illustrated | ❷ Not serviced separately |
| ❸ Included in Engine Gasket Set-Ref. 358. | ❹ Included in Carburetor Overhaul Kit-Ref. 121. |
| ❺ Included in Carburetor Gasket Set-Ref. 977. | ❻ Included in Valve Overhaul Gasket Set-Ref. 1095. |
| ❼ Obtain from your local Briggs & Stratton dealer | |



Housing Assembly

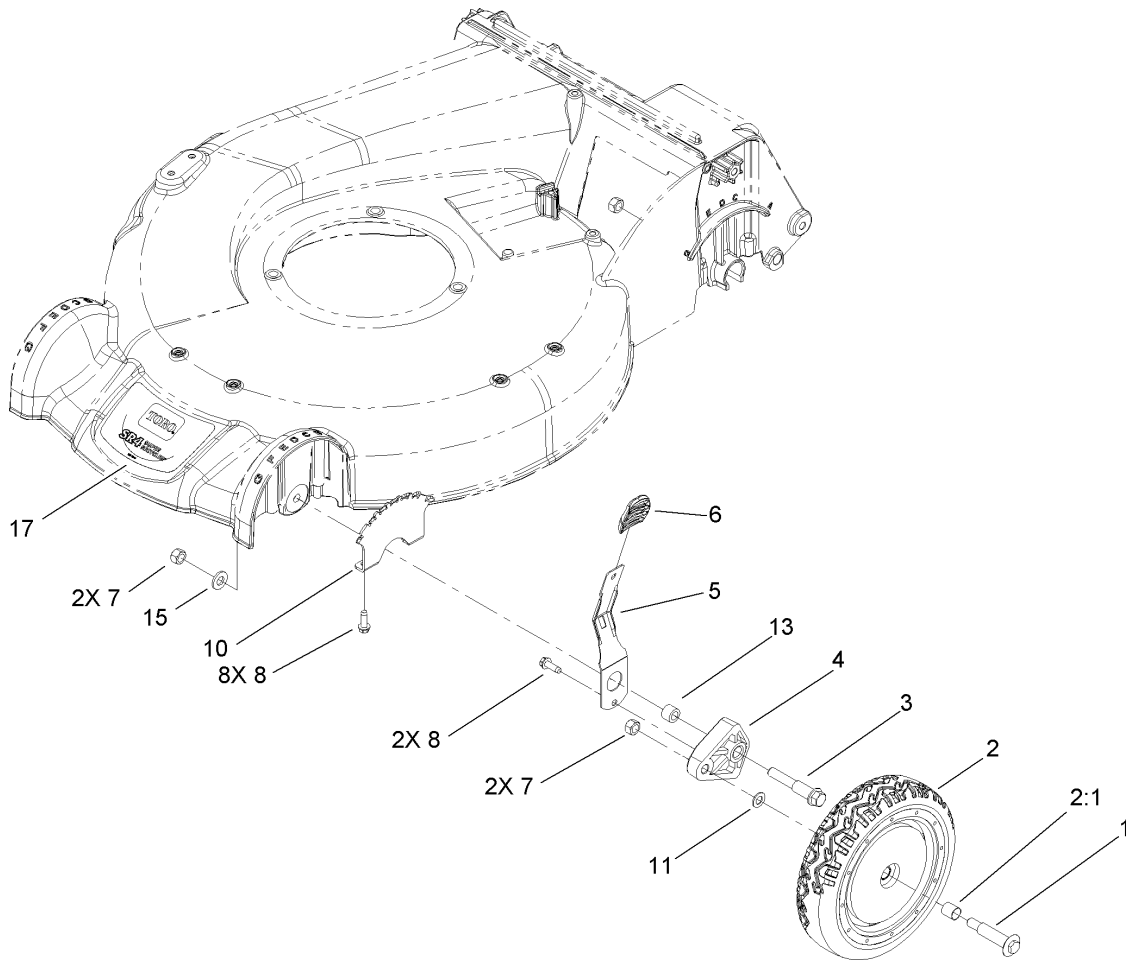
Ref	Part No.	Qty.	Description
1	108-8170	1	Door-Service
1:1	104-7909	1	Decal-Warning
1:2	104-7908	1	Decal-Warning
2	49-2040	7	Screw-HWHTF
3	3290-337	1	Nut-Speed
4	107-7493	2	Plate-Support, Door
5	107-7490	1	Plug-Mulch
6	105-3032	1	Spring-Door, Rear
7	107-7496	1	Shield-Trailing
8	107-7497	1	Bracket-Cable, Traction
9	107-7494	1	Cover-Belt
10	107-7499	1	Rod-Support, Door
11	107-3717	1	Discharge Door ASM
11:2	107-0795	1	Latch-Door
11:3	107-7456	1	Cap-Door
11:4	107-7461	1	Screw-Plastite
12	3229-11	2	Screw-CARR
13	99-5293	1	Spring-Torsion
14	99-5291	1	Rod-Cover
15	99-5292	1	Bracket-Cover
16	108-3753	1	Chute-Discharge, Side
17	32128-32	2	Nut-HHF
18	108-8115	1	Housing ASM
21	107-7495	1	Tunnel-Discharge



Housing Assembly No. 108-8115

Ref	Part No.	Qty.	Description
2	108-3798	2	Kicker-Housing
3	32144-111	4	Screw-PPH
4	94-8072	1	Decal-Danger
5	63-8590	3	Screw
6	105-1316-03	1	Sheet-Lip
7	49-2040	3	Screw-HWHTF
8	108-3797-03	1	Plate-Cover, Front

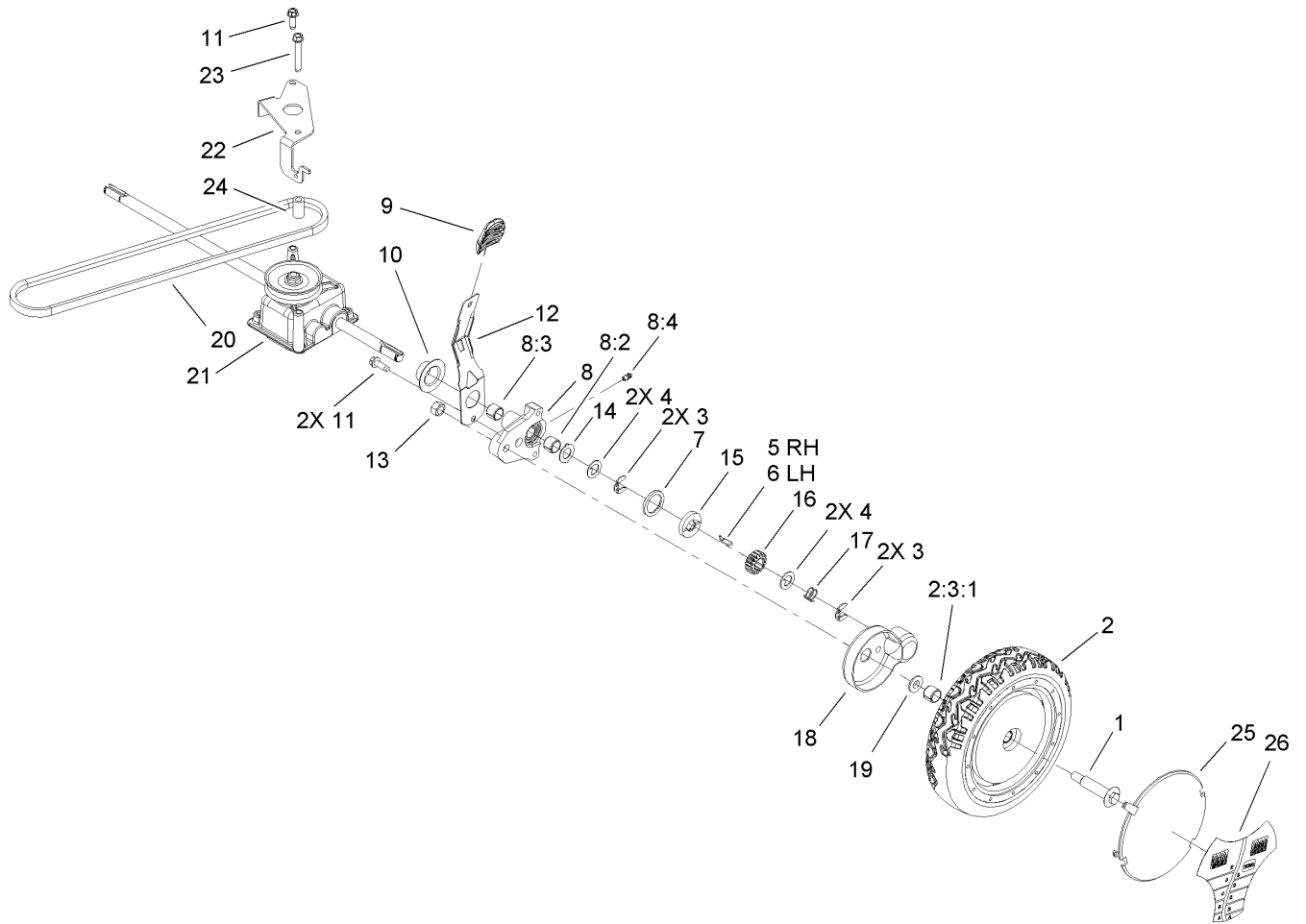
--	--	--	--



Height-of-Cut and Front Wheel Assembly

Ref	Part No.	Qty.	Description
1	92-1057	2	Bolt-Shoulder
2	107-3706	2	8 Inch Wheel ASM
2:1	27-6250	2	Bushing
3	107-7498	2	Screw-Shoulder, HOC
4	107-7492	2	Arm-Pivot
5	107-7491	2	Spring Arm
6	105-3042	2	Knob-Lever, HOC
7	603773	4	Nut
8	49-2040	13	Screw-HWHTF
10	107-7478	4	Plate-HOC
11	40-1940	2	Washer
13	52-2480	2	Spacer-Wheel
15	3256-24	2	Washer-Flat
17	108-4840	1	Decal

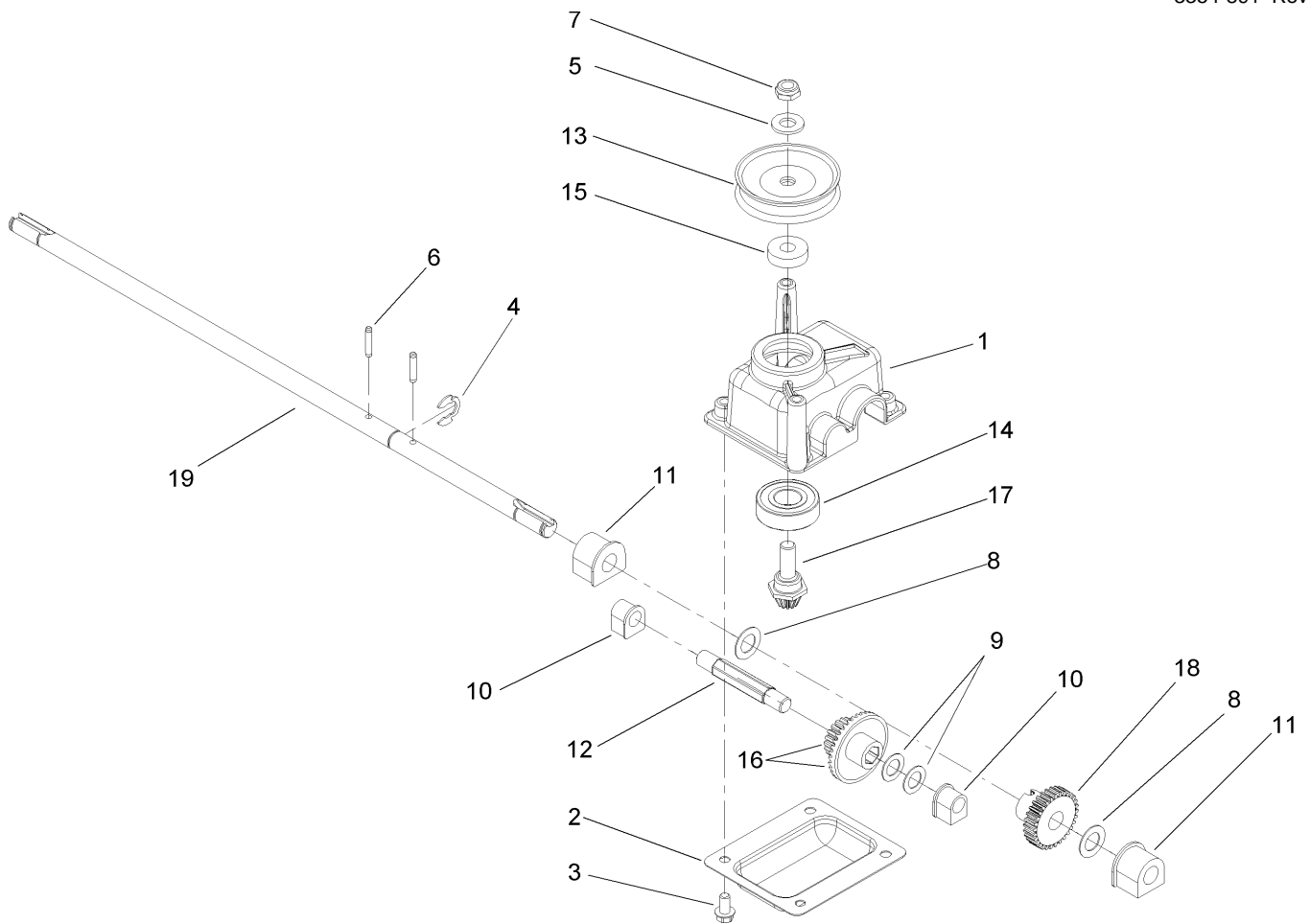
--	--	--	--



Transmission Assembly

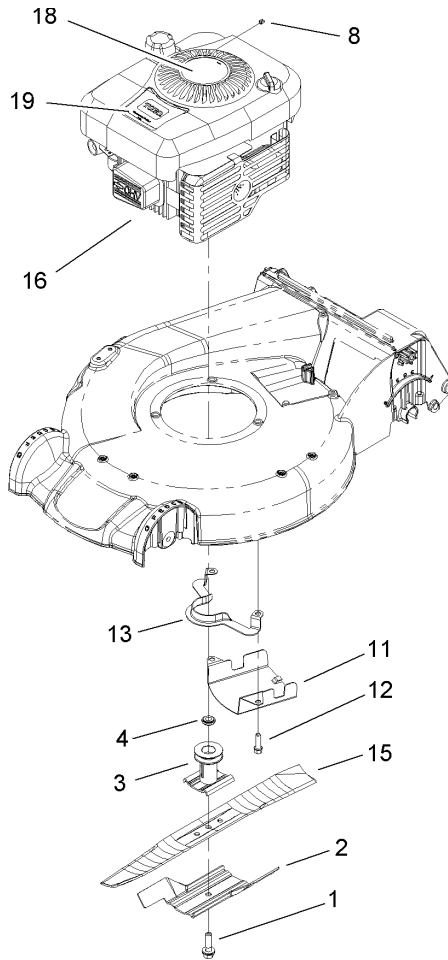
Ref	Part No.	Qty.	Description
1	92-1057	2	Bolt-Shoulder
2	107-3707	2	Wheel Gear ASM
1 2 2:3		1	8 Inch Wheel ASM
2:3:1	27-6250	2	Bushing
3	65-2720	4	Klipring-Locking
4	65-4740	4	Washer-Thrust, Keyed
5	66-6040	1	Key-Rocking, RH
6	66-6050	1	Key-Rocking, LH
7	65-4710	2	Ring-Friction
8	100-8774	2	Pivot Arm ASM
8:2	47-2900	1	Bushing
8:3	70-9760	1	Bushing
8:4	302-56	1	Fitting-Grease
9	105-3042	2	Knob-Lever, HOC
10	42-3520	2	Cap-End
11	49-2040	3	Screw-HWHTF
12	107-7491	2	Spring Arm
13	603773	2	Nut
14	65-4730	2	Washer-Arm, Pivot
15	65-4760	2	Washer-Clutch
16	65-4750	2	Gear-Pinion
17	65-4720	2	Spring-Compression
18	74-1660	2	Cover-Wheel
19	74-1671	2	Spacer-Cover, Wheel

Ref	Part No.	Qty.	Description
20	99-1597	1	V-Belt
21	108-8140	1	Gear Case ASM
22	107-7483-03	1	Bracket-Gearbox
23	92-1616	1	Screw-HWHTF
24	614673	1	Bushing-Plate, Actuator
25	100-6351	1	Cover-Wheel
26	100-1519	1	Label-Wheel, Smart



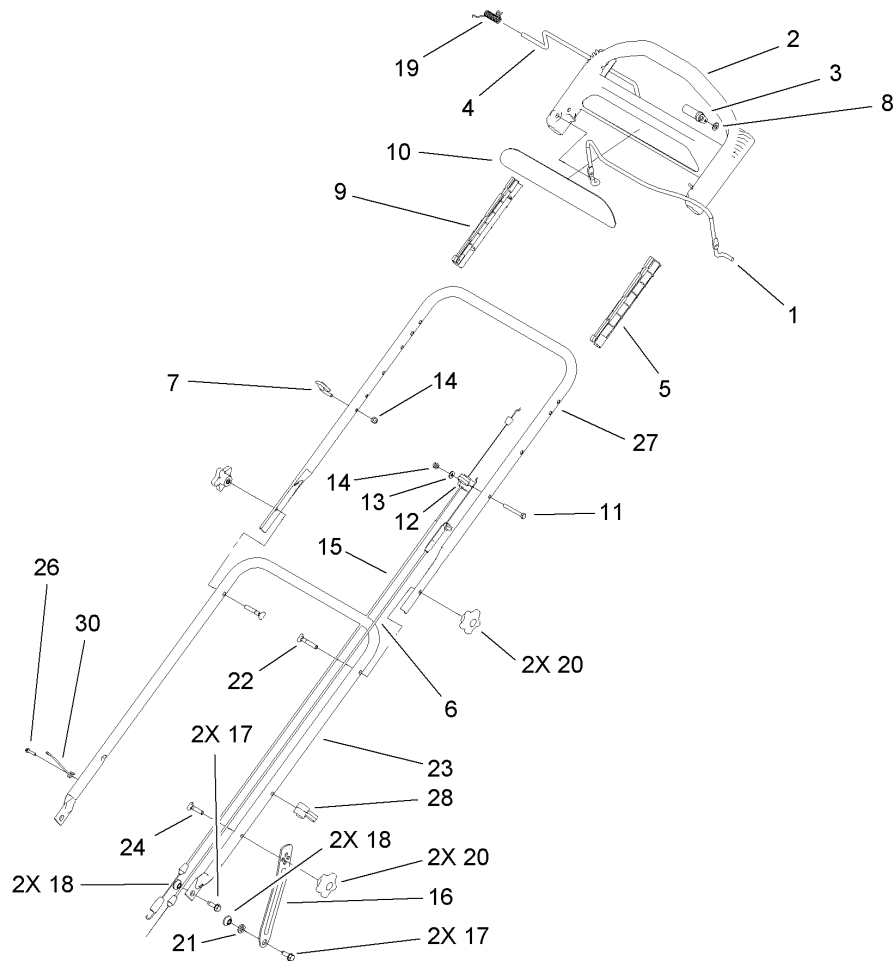
Gear Case Assembly No. 108-8140

Ref	Part No.	Qty.	Description
1	104-7619	1	Case-Gear
2	614668-03	1	Cover-Case, Gear
3	32144-4	4	Screw-HWH
4	32151-68	1	Ring-Retaining
5	3256-24	1	Washer-Flat
6	3285-19	2	Pin-Groove
7	3296-5	1	Nut-Lock
8	36-4780	2	Washer
9	36-4791	2	Washer-Thrust
10	60-8750	2	Bushing
11	60-8850	2	Bushing
12	614696	1	Shaft-Intermediate
13	100-1176	2	Pulley-Half
14	100-1048	1	Bearing-Ball
15	62-6660	1	Spacer
16	104-1005	1	Gear-19T Spur, 37T Bevel
17	104-7667	1	Gear-Pinion, Bevel
18	104-1004	1	Gear-30T
19	108-8141	1	Shaft-Output



Engine Assembly

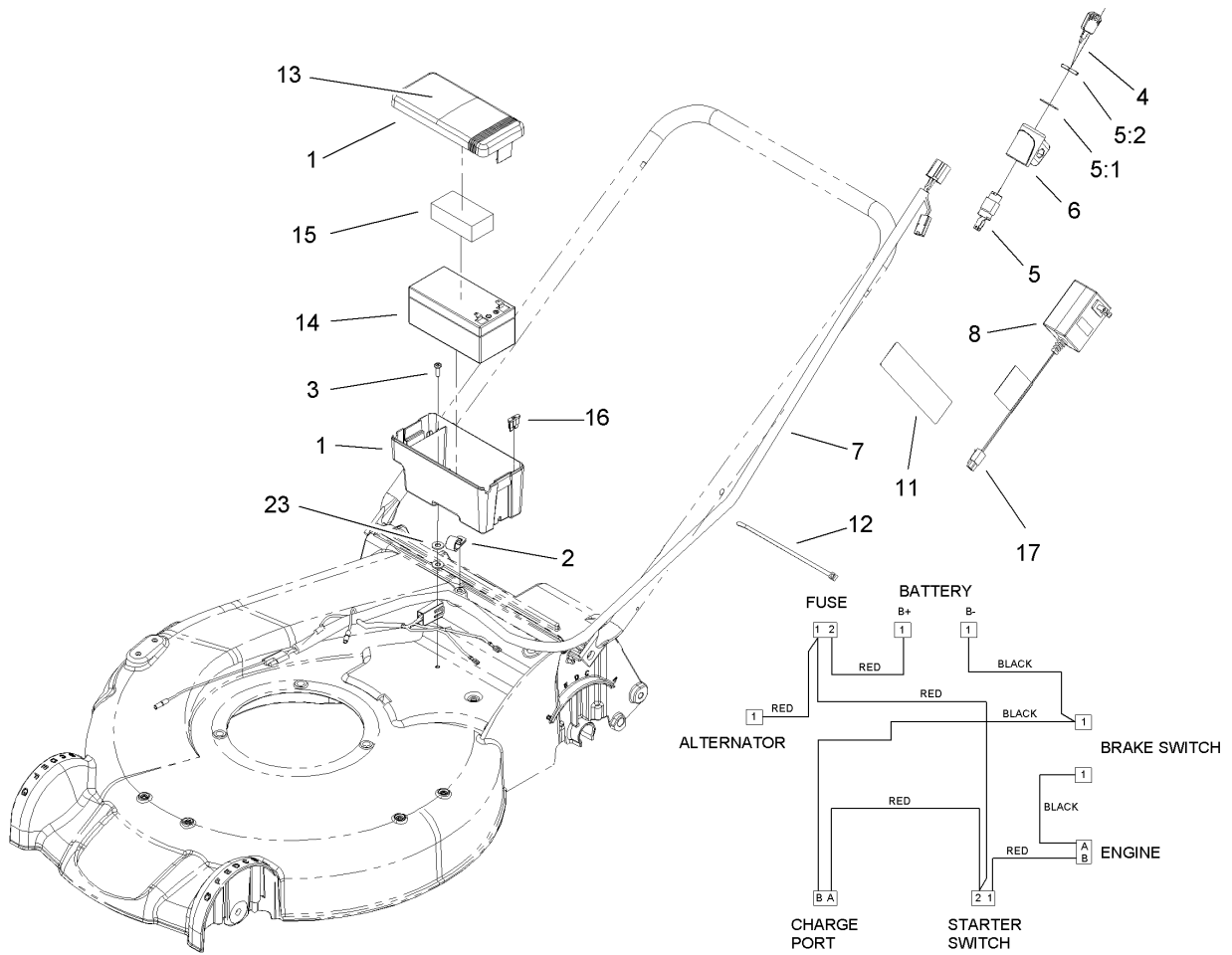
Ref	Part No.	Qty.	Description				
1	105-8579	1	Bolt-Blade				
2	105-6848-03	1	Accelerator-Blade				
3	106-3987	1	Blade Driver ASM				
4	106-3999	1	Spacer-Driver				
8	2210-316	1	Stop-Rope Need Order				
11	107-7489-03	1	Shield-Grass				
12	95-1727	3	Screw-Taptite				
13	108-8110-03	1	Guide-Belt				
15	108-3762-03	1	Blade-Recycling				
16		1	Engine-Briggs And Stratton, 122607-0116-E1				
18	110-7492	1	Decal-Recoil				
19	110-7493	1	Decal-Recoil				



Handle Assembly

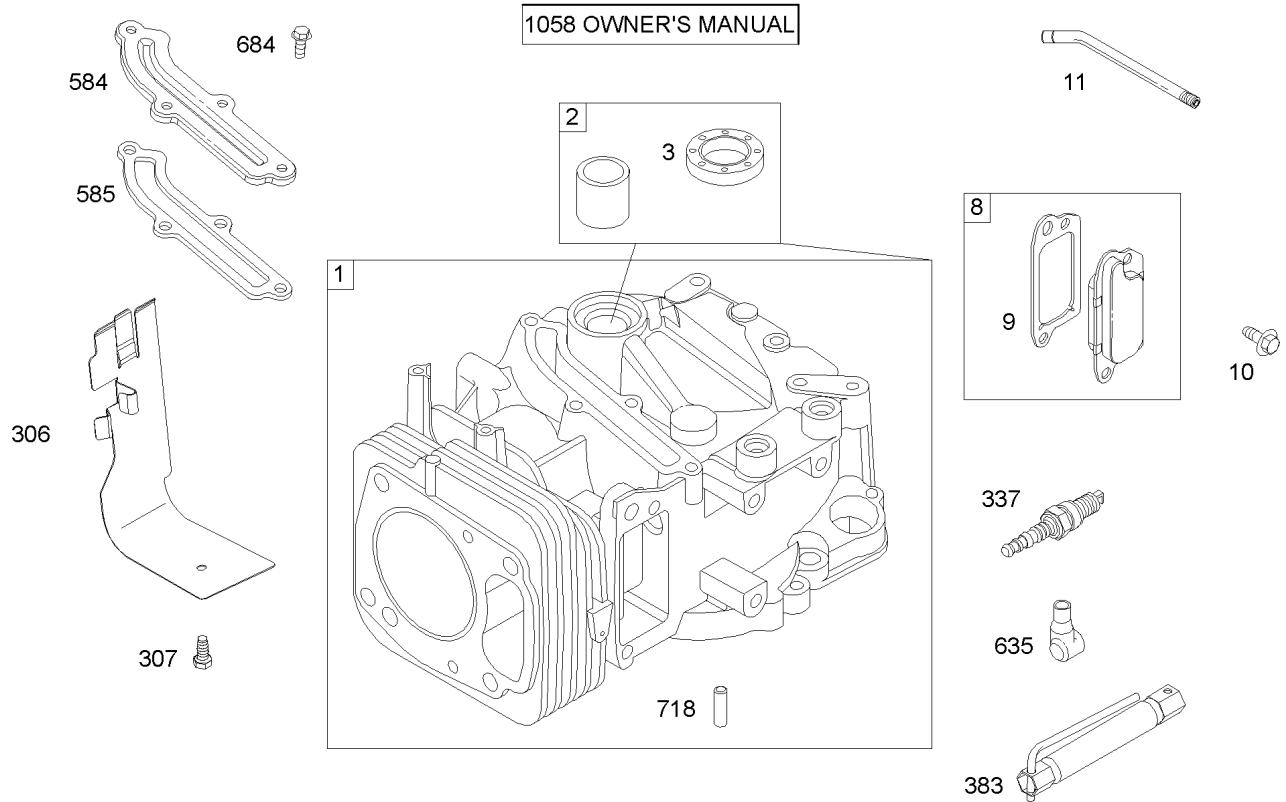
Ref	Part No.	Qty.	Description
1	104-8679-03	1	Bail-Brake
2	104-8678	1	Handle-Control
3	99-1589	1	Lever-Traction
4	99-1588	1	Bar-Control, Traction
5	105-6842	1	Guide-LH
6	108-8157	1	Cable-Brake
7	86-9671	1	Guide-Rope
8	3256-23	1	Washer-Flat
9	105-6841	1	Guide-RH
10	108-8136	1	Decal-Handle
11	321-50	1	Screw-HH
12	99-5239	1	Anchor-Cable
13	3256-1	1	Washer-Flat
14	3296-73	2	Nut-Lock, NI
15	108-8158	1	Cable-Traction
16	108-8145-03	2	Support-Handle
17	701243	4	Screw-HWHTF
18	27-6600	4	Spacer-Coupling
19	104-8690	1	Spring-Torsion
20	108-8162	4	Knob-Locking
21	55-9670	2	Washer
22	92-2260	2	Screw-Handle
23	107-7476-05	1	Handle-Lower
24	92-2260	2	Screw-Handle

Ref	Part No.	Qty.	Description
26	32144-53	1	Screw-SHWH
27	107-3783-05	1	Handle-Upper
28	106-6805	1	Guide-Cable
30	108-9452	1	Hook-Rope, Displacement



Electrical Assembly

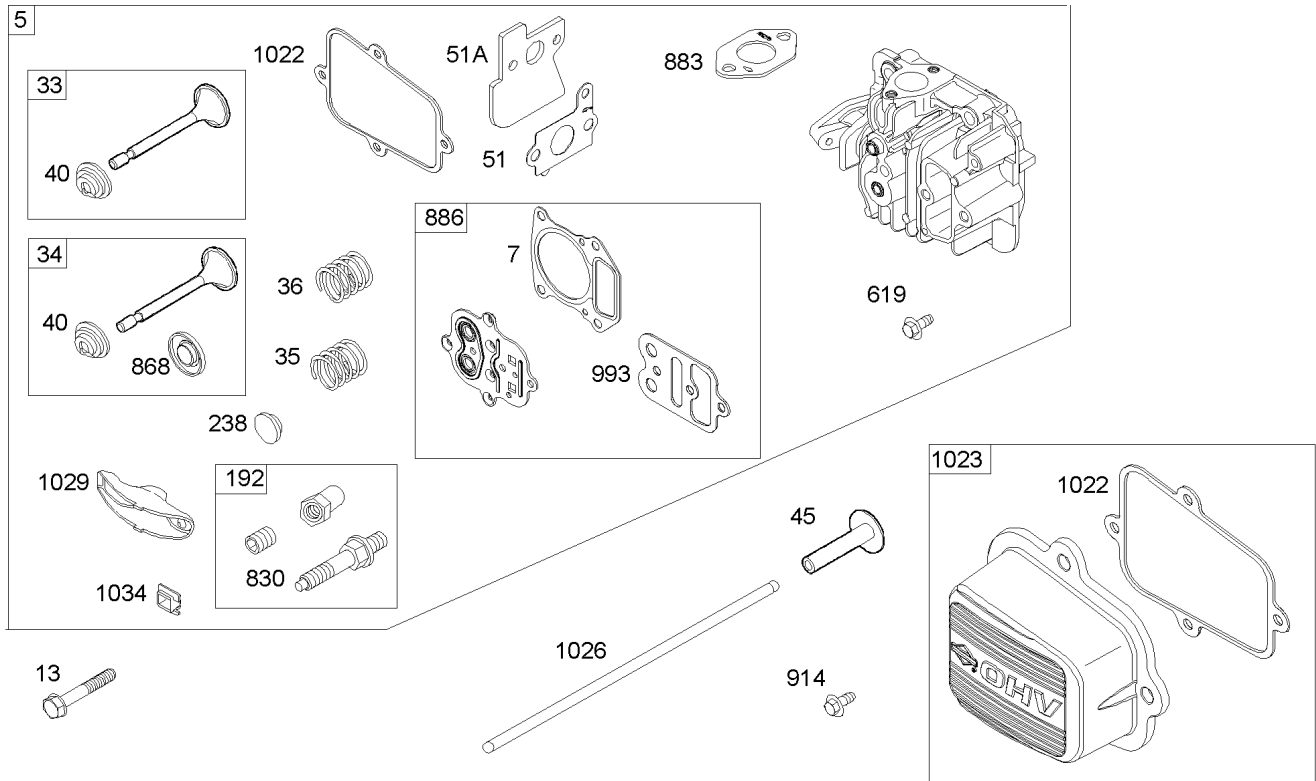
Ref	Part No.	Qty.	Description
1	108-4844	1	Battery Box ASM
2	2412-73	1	Clamp-R
3	32144-32	1	Screw
4	700918	1	Key
5	46-5780	1	Switch-Starter
5:1	3254-5	1	Washer-Tooth
5:2	218-461	1	Nut-HH
6	108-9760	1	Mount-Switch
7	108-4792	1	Harness-Es
8	98-2391	1	Charger-European, 12V Dc
11	104-7953	1	Decal-Harness
12	614249	2	Strap-Tie
13	108-4791	1	Decal-Instructional
14	106-8397	1	Battery-12 Volt
15	107-3774	1	Foam-Battery, Top
16	99-6124	2	Fuse-40 Amp
17	107-3749	1	Adapter-Charger
23	3256-22	2	Washer-Flat



Assemblies include all parts shown in frames.

Cylinder Assembly Briggs and Stratton 122607-0116-E1

Ref	Part No.	Qty.	Description
⑦1	499678	1	Cylinder Assembly
⑦2	399269	1	Bushing/Seal Kit
③⑦3	299819	1	Seal-Oil
⑦8	495786	1	Breather ASM
③⑥9	272481	1	Gasket-Breather
⑦			
⑦10	691125	1	Screw
⑦11	691260	1	Tube-Breather
⑦306	691232	1	Shield-Cylinder
⑦307	690345	1	Screw
⑦337	692051	1	Sparkplug
⑦383	19374	1	Wrench-Spark Plug
⑦584	692342	1	Cover-Breather Passage
③⑦585	691879	1	Gasket-Passage, Breather
⑦635	66538	1	Boot-Plug, Spark
⑦684	690345	1	Screw
⑦718	690959	1	Pin-Locating
⑦1058	274979	1	Manual-Owner's

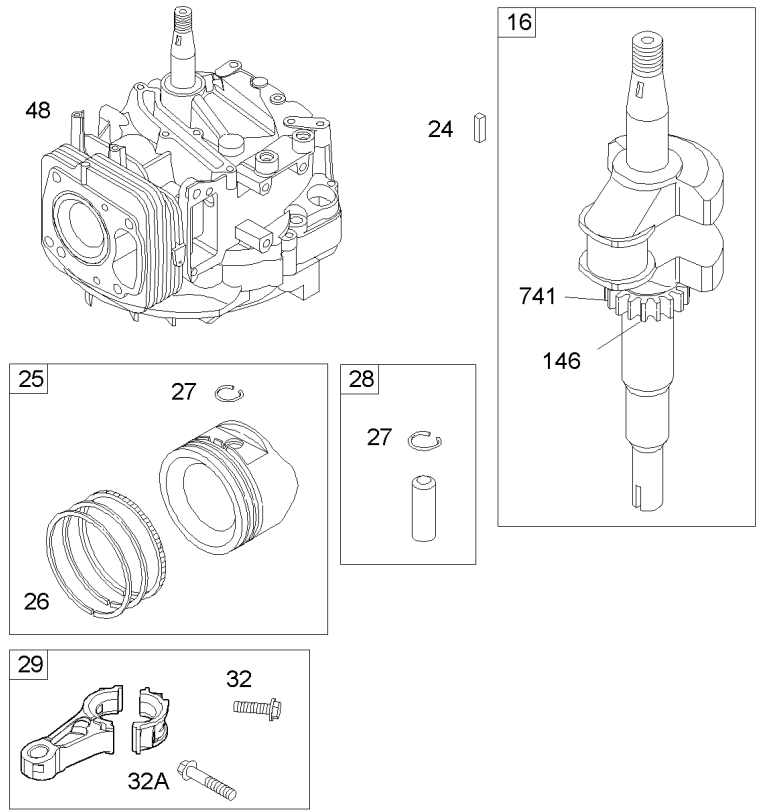


Assemblies include all parts shown in frames.

Cylinder Head Assembly Briggs and Stratton 122607-0116-E1

Ref	Part No.	Qty.	Description
75	695276	1	Head-Cylinder
67	695166	1	Cylinder Head Gasket
13	691137	1	Screw
33	499642	1	Valve-Exhaust
34	499641	1	Valve-Intake
35	691304	1	Spring-Valve
36	691304	1	Spring-Valve
40	692194	1	Retainer-Valve
45	690977	1	Valve-Tappet
451	692668	1	Gasket-Intake
451A	692799	1	Gasket-Intake
192	694543	1	Adjuster-Arm, Rocker
238	691300	1	Cap-Valve
619	691108	1	Screw
830	694544	1	Stud-Arm, Rocker
868	692044	1	Seal-Valve
883	691893	1	Gasket-Exhaust
886	696268	1	Cylinder Head/Plate Gasket Kit
914	691127	1	Screw
993	694088	1	Gasket-Plate, Cylinder Head
1022	691890	1	Gasket-Cover, Rocker
1023	692694	1	Cover-Rocker

Ref	Part No.	Qty.	Description
1026	692045	1	Rod-Push
1029	691230	1	Arm-Rocker
1034	691343	1	Guide-Rod, Push

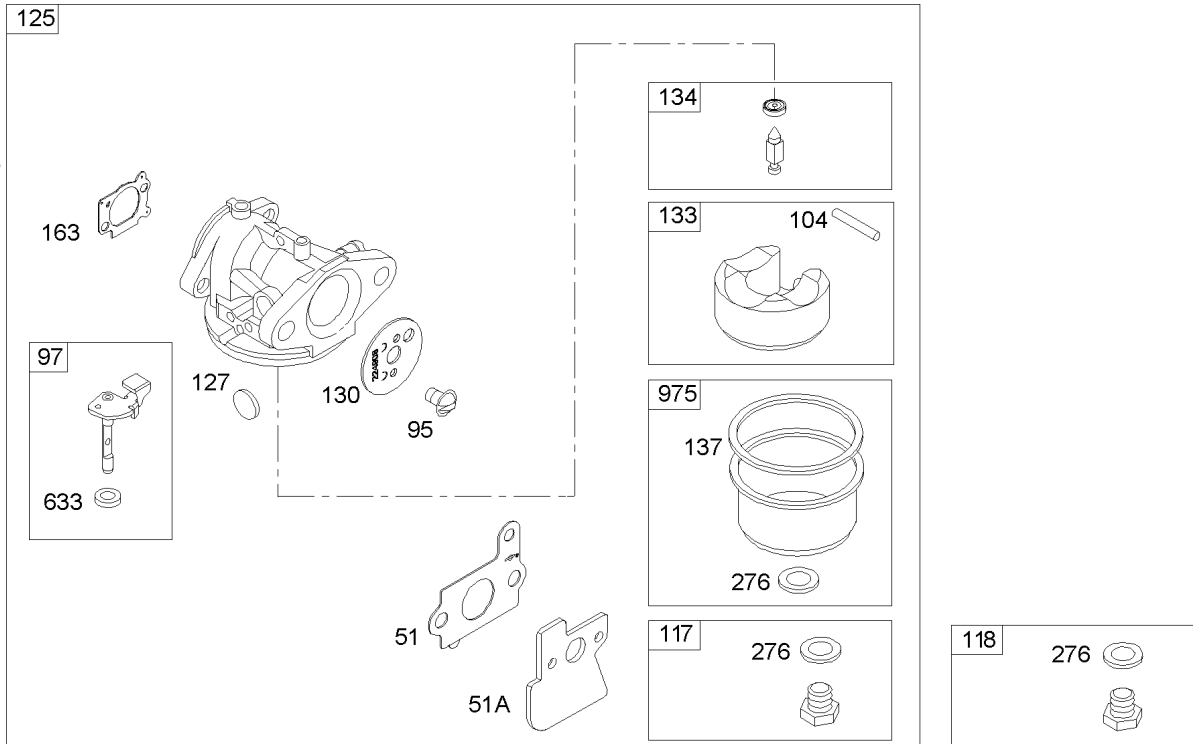


Assemblies include all parts shown in frames.

Crankshaft Assembly Briggs and Stratton 122607-0116-E1

Ref	Part No.	Qty.	Description
16	695950	1	Crankshaft
24	222698	1	Key
25	499627	1	Piston ASM (Standard)
25	692788	1	Piston Assembly (.010 Oversize)
25	692789	1	Piston ASM (.020In Oversize)
25	692790	1	Piston Assembly (.030 Oversize)
26	499631	1	Ring Set (Standard)
26	692785	1	Ring Set (.010In Oversize)
26	692786	1	Ring Set (.020In Oversize)
26	692787	1	Ring Set (.030In Oversize)
27	691866	1	Lock-Pin, Piston
28	499423	1	Pin-Piston (STD)
29	499424	1	Rod-Connecting
32	691664	1	Screw
32A	695759	1	Screw
48	694898	1	Short Block
146	690979	1	Key-Timing
741	691830	1	Gear-Timing

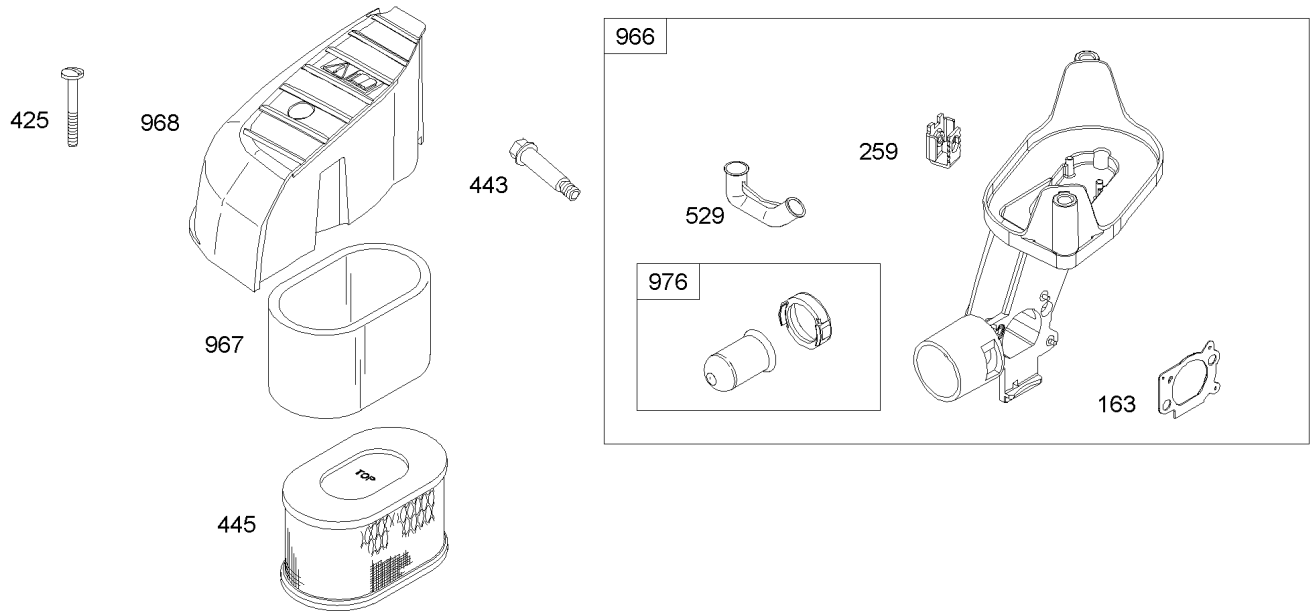
--	--	--	--



Assemblies include all parts shown in frames.

Carburetor Assembly Briggs and Stratton 122607-0116-E1

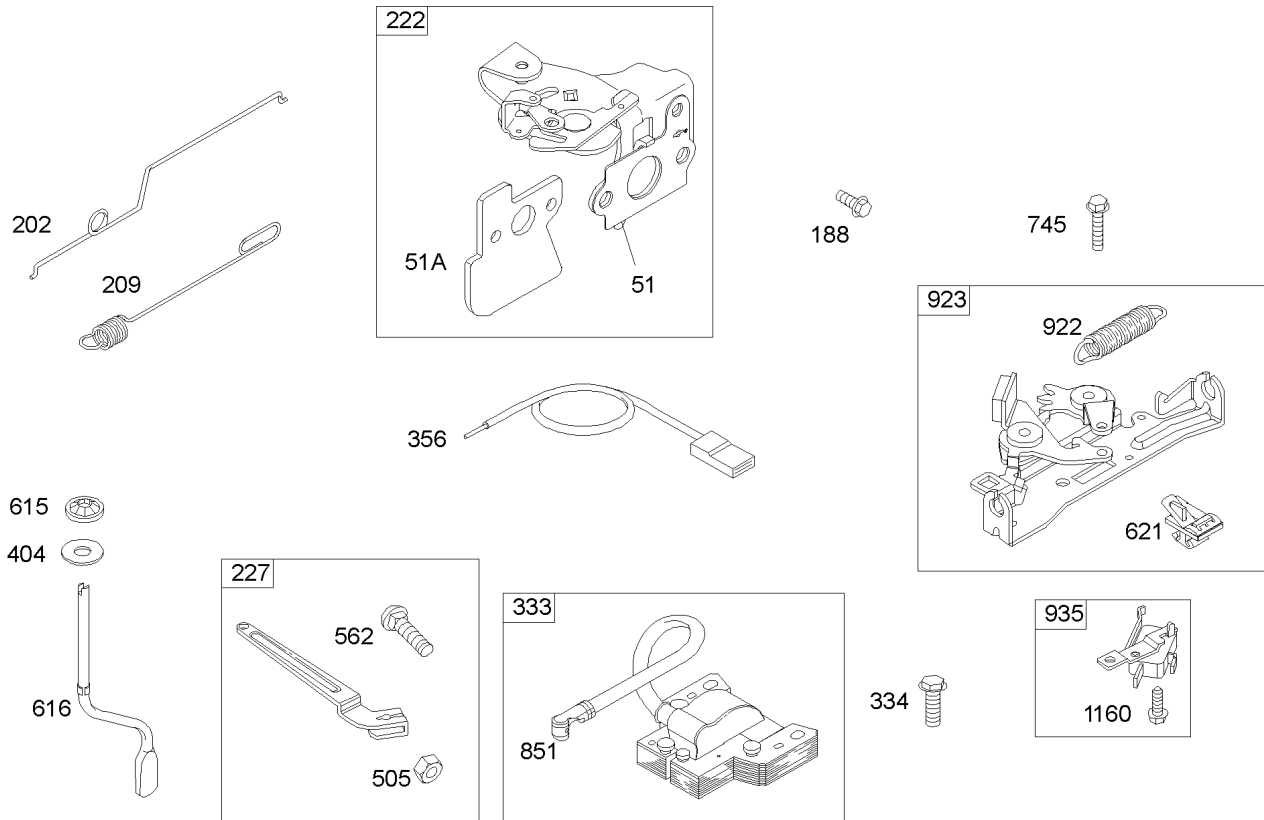
Ref	Part No.	Qty.	Description
3 4 51	692668	1	Gasket-Intake
6 7			
3 4 51A	692799	1	Gasket-Intake
6 7			
7 95	691636	1	Screw
7 97	499682	1	Shaft-Throttle
5 7 104	691242	1	Pin-Hinge, Float
7 117	498978	1	Jet-Main (Standard)
7 118	498975	1	Jet-Main (High Altitude)
7 125	694202	1	Carburetor
5 7 127	694468	1	Plug-Welch
7 130	691203	1	Valve-Throttle
7 133	398187	1	Float-Carburetor
7 134	398188	1	Needle/Seat Kit
4 5 137	693981	1	Gasket-Bowl, Float
7			
3 4 163	691894	1	Gasket-Cleaner, Air
6 7			
4 5 276	271716	1	Washer-Sealing
7			
7 365	691136	1	Screw
4 5 633	691321	1	Seal-Shaft, Choke/Throttle
7			
7 975	493640	1	Bowl-Float



Assemblies include all parts shown in frames.

Air Cleaner Assembly Briggs and Stratton 122607-0116-E1

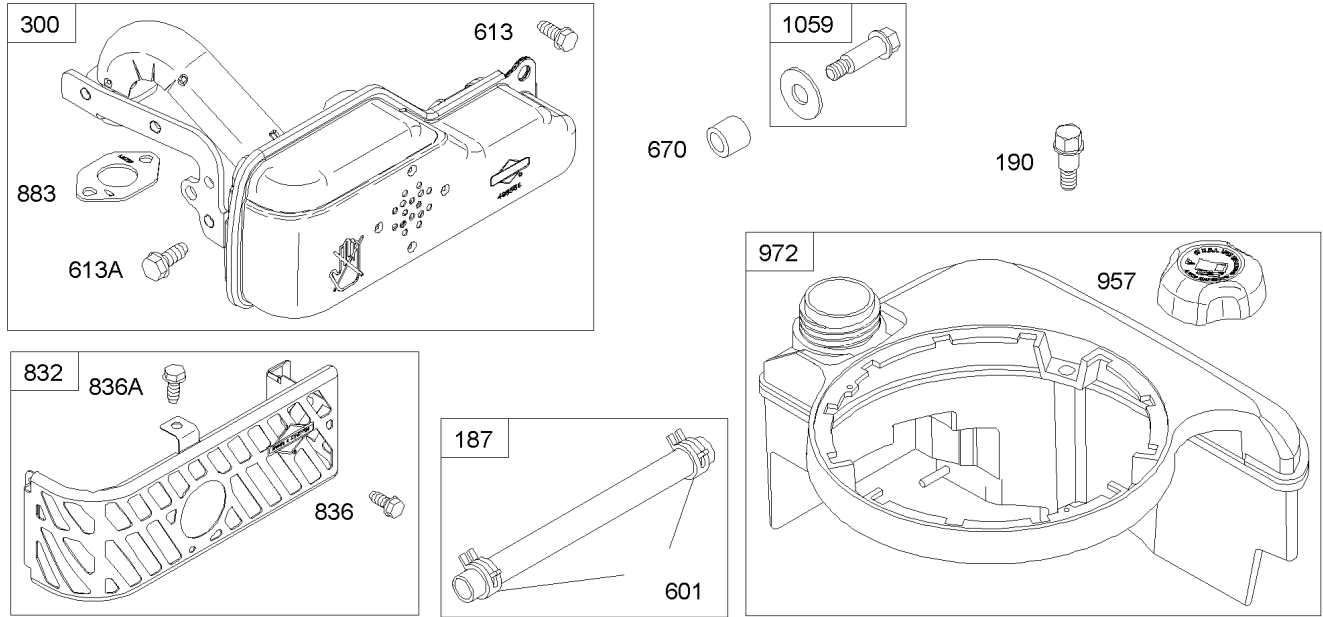
Ref	Part No.	Qty.	Description
3 4 163 6 7	691894	1	Gasket-Cleaner, Air
7 259	691189	1	Bracket-Clamp, Casing
7 425	690244	1	Screw
7 443	690255	1	Screw
7 445	690610	1	Filter-Air Cleaner Cartridge
7 529	692937	1	Grommet
7 966	690243	1	Base-Primer, Air Cleaner
7 967	273356	1	Filter-Pre Cleaner
7 968	692692	1	Cover-Cleaner, Air
7 976	694395	1	Primer-Carburetor



Assemblies include all parts shown in frames.

Governor Assembly Briggs and Stratton 122607-0116-E1

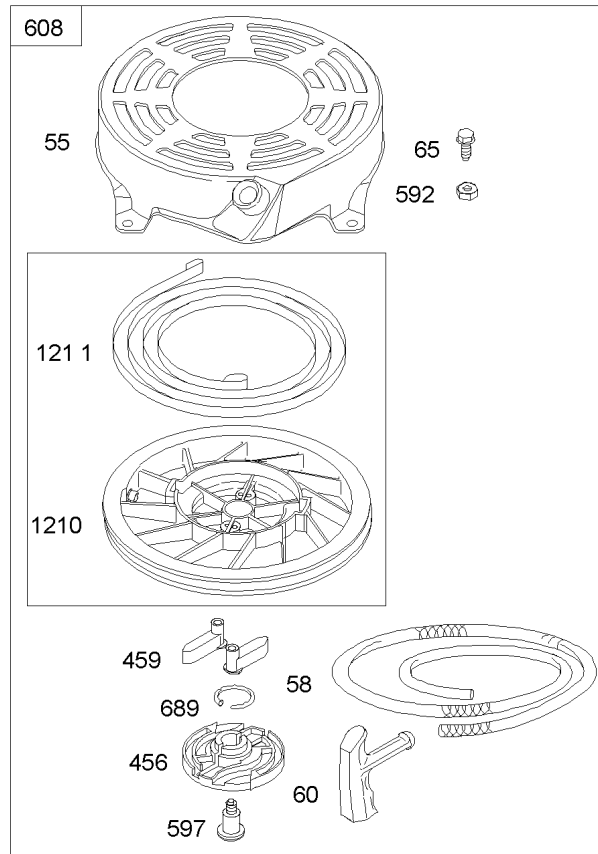
Ref	Part No.	Qty.	Description
③ ④ 51	692668	1	Gasket-Intake
⑥ ⑦			
③ ④ 51A	692799	1	Gasket-Intake
⑥ ⑦			
⑦ 188	693168	1	Screw (Control Bracket)
⑦ 202	691303	1	Link-Governor, Mechanical
⑦ 209	691292	1	Spring-Governor
⑦ 222	692723	1	Bracket-Control
⑦ 227	691467	1	Lever-Governor Control
⑦ 333	802574	1	Armature-Magneto
⑦ 334	691061	1	Screw
⑦ 356	692390	1	Wire-Stop
⑦ 404	690272	1	Washer
⑦ 505	231082	1	Nut (Governor Control Lever)
⑦ 562	94852	1	Screw (Governor Control Lever)
⑦ 615	690340	1	Retainer-Shaft, Governor
⑦ 616	691308	1	Crank-Governor
⑦ 621	692310	1	Switch-Stop
⑦ 745	691648	1	Screw
⑦ 851	493880	1	Terminal-Spark Plug
⑦ 922	691831	1	Spring-Brake
⑦ 923	691994	1	Brake ASM
⑦ 935	499421	1	Switch-Interlock
⑦ 1160	691627	1	Screw Interlock Switch)



Assemblies include all parts shown in frames.

Muffler and Fuel Tank Assembly Briggs and Stratton 122607-0116-E1

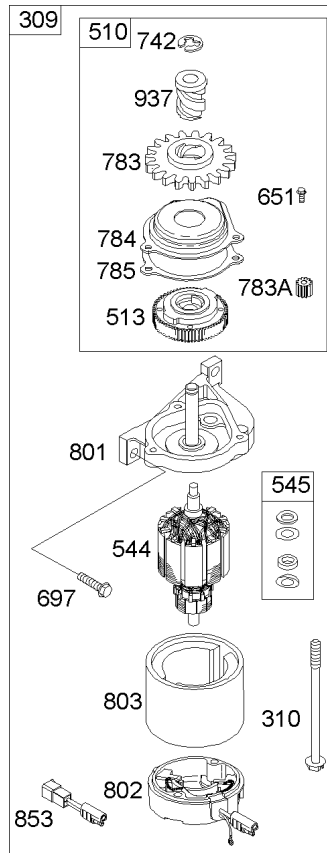
Ref	Part No.	Qty.	Description
⑦ 187	691050	1	Line-Fuel (Cut To Required Length)
⑦ 190	690940	1	Screw
⑦ 300	694248	1	Muffler
⑦ 601	95162	1	Clamp-Hose
⑦ 613	691108	1	Screw
⑦ 613A	691140	1	Screw
⑦ 670	692294	1	Spacer-Tank, Fuel
⑦ 832	691466	1	Guard-Muffler
⑦ 836	690960	1	Screw
⑦ 836A	691147	1	Screw
⑧ ⑥ 883	691893	1	Gasket-Exhaust
⑦ 957	692046	1	Cap-Tank, Fuel
⑦ 972	499618	1	Tank-Fuel
⑦ 1059	692311	1	Screw/Washer Kit



Assemblies include all parts shown in frames.

Recoil Starter Assembly Briggs and Stratton 122607-0116-E1

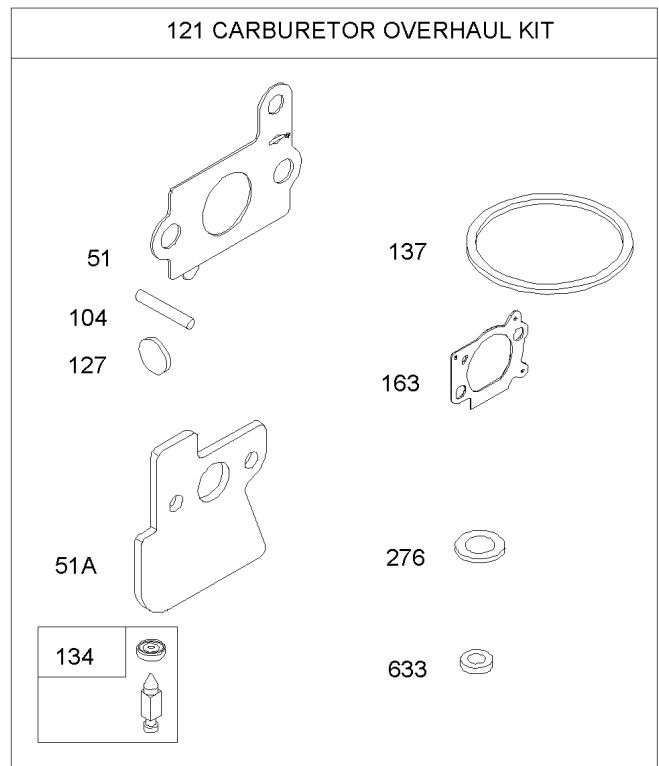
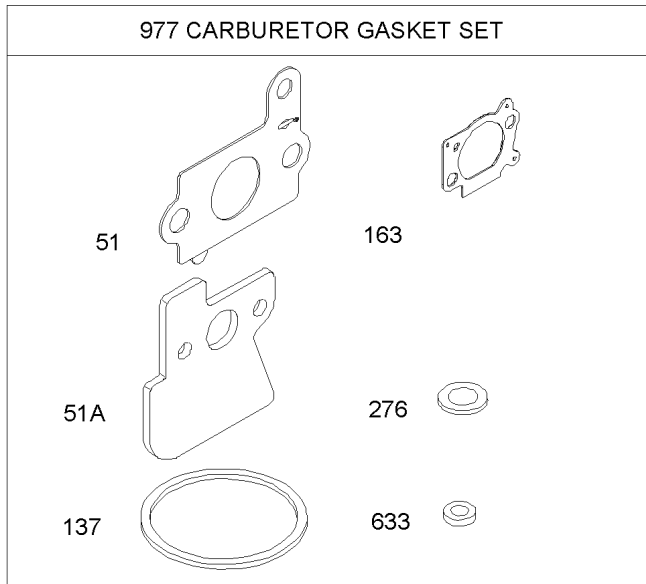
Ref	Part No.	Qty.	Description				
755	691421	1	Housing—Starter, Rewind				
758	280399	1	Rope—Starter (Cut To Required Length)				
760	281434	1	Grip—Rope, Starter				
765	690837	1	Screw				
7456	692299	1	Plate—Friction, Pawl				
7459	281505	1	Ratchet—Pawl				
7592	690800	1	Nut				
7597	691696	1	Screw				
7608	497680	1	Starter—Rewind				
7689	691855	1	Spring—Friction				
71210	498144	1	Pulley/Spring ASM				
71211	498144	1	Pulley/Spring ASM				



Assemblies include all parts shown in frames.

Starter Assembly Briggs and Stratton 122607-0116-E1

Ref	Part No.	Qty.	Description
309	695550	1	Motor-Starter
310	692327	1	Bolt
510	494147	1	Drive-Starter
513	692358	1	Clutch-Drive
544	690786	1	Armature-Starter
545	492919	1	Washer Set
651	690345	1	Screw
697	691127	1	Screw
742	93941	1	Retainer-E Ring
783	691918	1	Gear-Pinion
783A	691269	1	Gear-Pinion
784	692341	1	Cover-Gear, Starter
785	692352	1	Gasket-Cover, Starter
801	690782	1	Cap-Drive
802	695267	1	Cap-End
803	695266	1	Housing-Starter
853	695268	1	Adapter-Wire
937	691325	1	Spline-Starter



Assemblies include all parts shown in frames.

Carburetor Overhaul Kit Assembly Briggs and Stratton 122607-0116-E1

Ref	Part No.	Qty.	Description
3 4 51 6 7	692668	1	Gasket-Intake
3 4 51A 6 7	692799	1	Gasket-Intake
4 7 104 7 121	691242	1	Pin-Hinge, Float
4 7 127	692703	1	Carburetor Overhaul Kit
4 7 134	694468	1	Plug-Welch
4 5 137 7	398188	1	Needle/Seat Kit
3 4 163 6 7	693981	1	Gasket-Bowl, Float
4 5 276 7	691894	1	Gasket-Cleaner, Air
4 5 633 7	271716	1	Washer-Sealing
7 977	691321	1	Seal-Shaft, Choke/Throttle
	692704	1	Gasket Set-Carburetor

Ref	Part No.	Qty.	Description

NOTES

NOTES

NOTES

