



22in Recycler[®] Lawnmower

Model No. 20047 - 260000001 and up.

Parts Catalog

Ordering Replacement Parts

To order replacement parts, please supply the part number, the quantity, and the description of each part desired.

Understanding Reference Numbers

Each identified part in an illustration has a reference number. The reference number for a part also appears in the parts list, along with other information about the part.

This catalog uses two special reference number formats, one to indicate parts in a service assembly and another to indicate the quantity of a given part in an illustration.

Service Assembly Reference Numbers

Parts in service assemblies have reference numbers in the form a:b. The a represents the reference number of the entire service assembly and the b represents a sequential number unique to each part within the service assembly.

For example, a wheel assembly might be identified by reference number 6, the tire by 6:1, the valve by 6:2, and the wheel by 6:3. When you order the assembly identified by reference number 6, you receive all parts identified by reference numbers 6:1, 6:2, and 6:3. However, you may also order any part individually. Reference numbers of this type appear in illustrations and in part lists.

Reference Numbers Indicating Quantity

In an illustration, if a reference number indicates more than one part, the reference number has the form nX y. The n represents the quantity of the part, the X is the multiplication symbol, and the y represents the reference number.

For example, in an illustration, the reference number 2X 37 means that two of the parts identified by reference number 37 are indicated.

Contents

Description	Page	Description	Page
Deck, Side Chute and Rear Door Assembly	3	Carburetor Assembly Briggs and Stratton 125K02-0202-E1	14
Front Axle Assembly	4	Air Cleaner Assembly Briggs and Stratton 125K02-0202-E1	15
Rear Axle and Transmission Assembly	5	Governor Assembly Briggs and Stratton 125K02-0202-E1	16
Transmission Assembly No. 106-3956	6	Muffler and Fuel Tank Assembly Briggs and Stratton 125K02-0202-E1	17
Handle Assembly	7	Blower Housing Assembly Briggs and Stratton 125K02-0202-E1	18
Handle and Switch Assembly	8	Starter Assembly Briggs and Stratton 125K02- 0202-E1	19
Rear Bag Assembly	9	Gasket Assembly Briggs and Stratton 125K02- 0202-E1	20
Engine Assembly	10	Carburetor Overhaul Kit Assembly Briggs and Stratton 125K02-0202-E1	21
Cylinder Assembly Briggs and Stratton 125K02-0202-E1	11		
Crankshaft Assembly Briggs and Stratton 125K02-0202-E1	12		
Crankcase Assembly Briggs and Stratton 125K02-0202-E1	13		

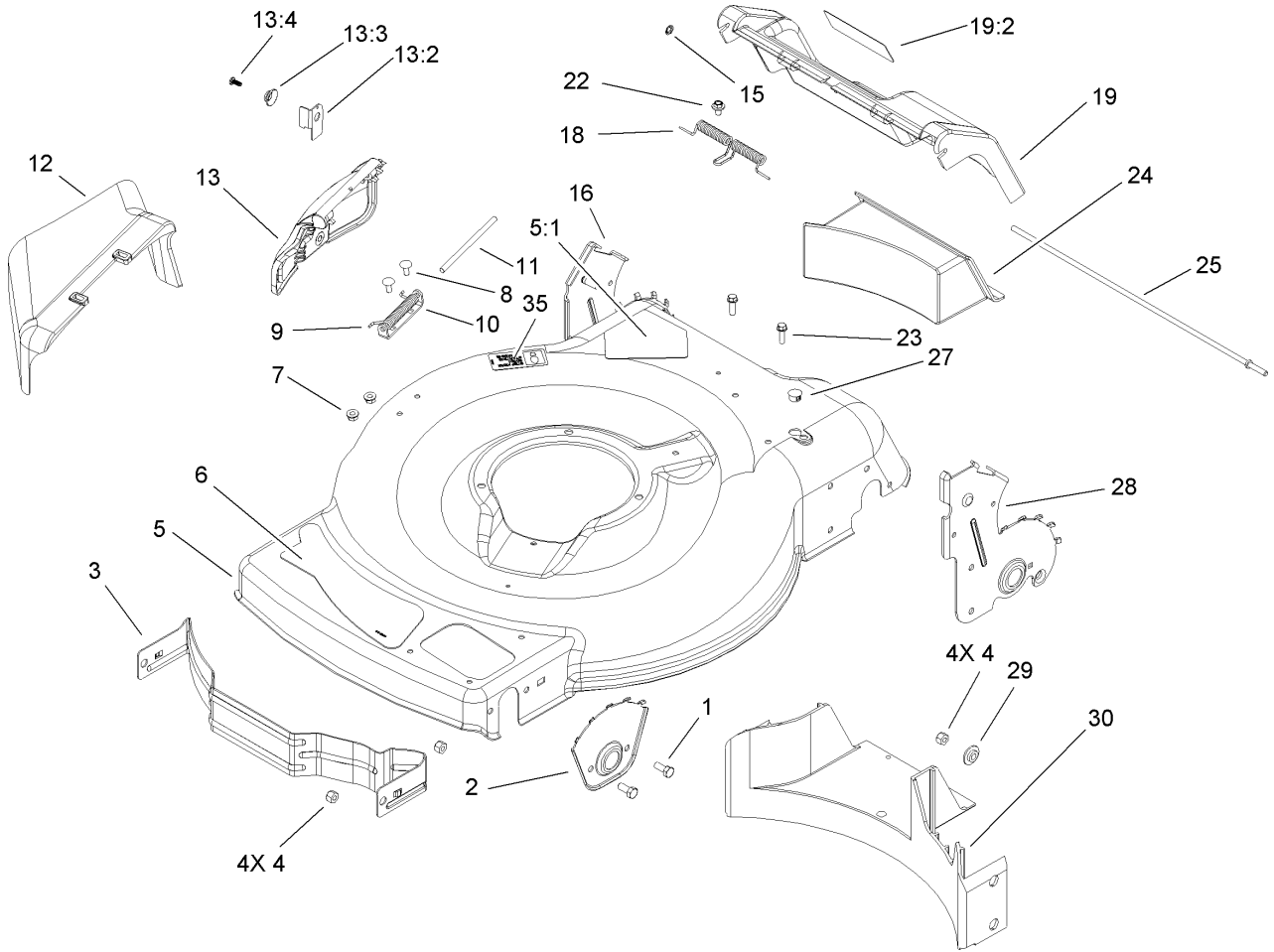
Part Description Abbreviations

Part descriptions in this catalog may include the following abbreviations.

AR. as required	INC. incorporated
ASM. assembly	LH. left hand
BBC. blade brake clutch	NI. nylon insert
CARR. carriage	NPTF. national pipe thread fine
DEG. degrees	PFH. phillips flat head
EXT. external	PPH. phillips pan head
FH. flat head	PPHTF. phillips pan head thread forming
GA. gauge	PRH. phillips round head
HF. hex flange	PTH. phillips truss head
HH. hex head	PTO. power-take-off
HHF. hex head flange	RH. right hand
HHFTF. hex head flange thread forming	ROPS. roll-over-protection-system
HJ. hex jam	SFH. slotted fillister head
HLH. hex lag head	SHH. slotted hex head
HOC. height-of-cut	SHWH. slotted hex washer head
HSBH. hex socket button head	SPH. slotted pan head
HSFH. hex socket flat head	SQH. square head
HSH. hex socket head	SRH. slotted round head
HWH. hex washer head	STD. standard
HWHTF. hex washer head thread forming	TAP. self tapping
HYD. hydraulic	TTH. torx truss head

Footnotes

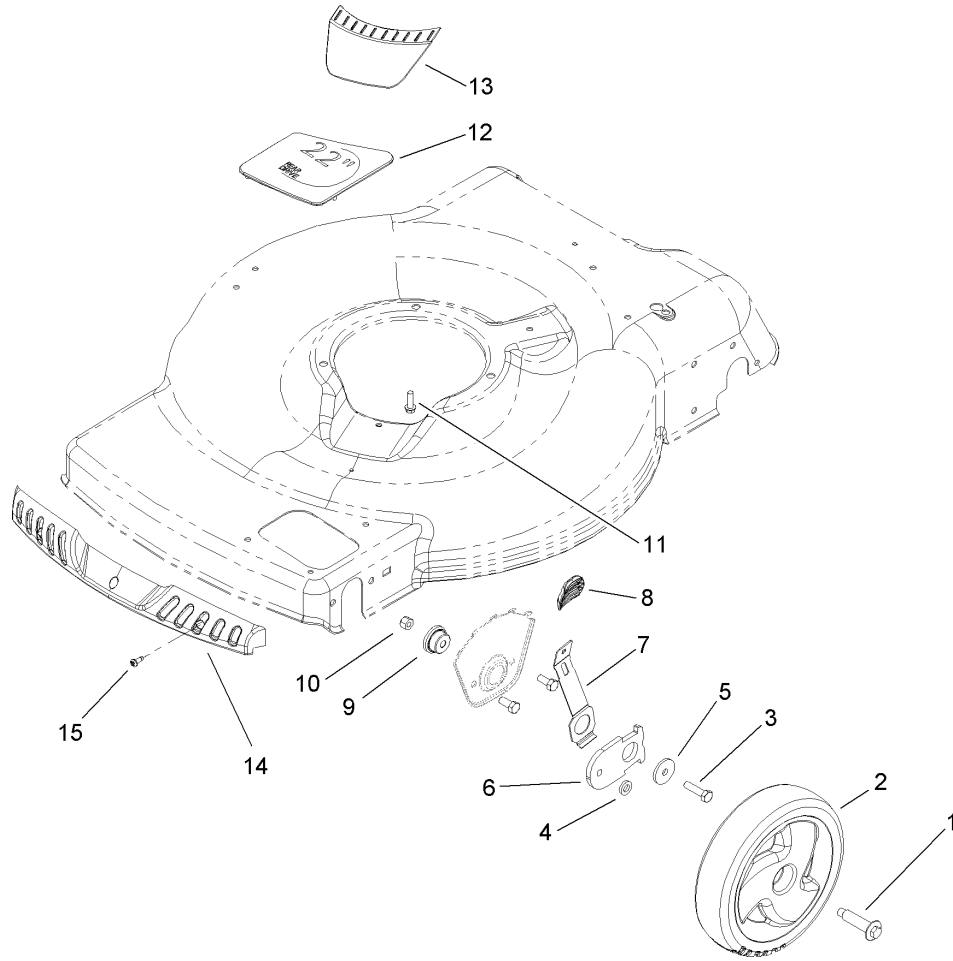
- | | |
|---|--|
| ❶ Not illustrated | ❷ Not serviced separately |
| ❸ Obtain from your local Briggs & Stratton dealer | ❹ Included in Carburetor Overhaul Kit (Ref. No. 121) |
| ❺ Included in Engine Gasket Set (Ref. No. 358) | ❻ Included in Carburetor Gasket Set (Ref. No. 977) |



Deck, Side Chute and Rear Door Assembly

Ref	Part No.	Qty.	Description
1	322-3	4	Screw-HH
2	105-1808-03	2	Plate-HOC, Front
3	104-8694-03	1	Baffle-Front
4	3296-29	8	Nut-Lock, NI
5	108-9777	1	BBC Housing ASM
5:1	105-6838	1	Decal-Danger
6	105-1297	1	Decal-Deck
7	32128-32	2	Nut-HHF
8	3229-11	2	Screw-CARR
9	99-5293	1	Spring-Torsion
10	99-5292	1	Bracket-Cover
11	99-5291	1	Rod-Cover
12	105-3028	1	Chute-Discharge, Side
13	106-8376	1	Discharge Door ASM
13:2	107-0795	1	Latch-Door
13:3	107-7456	1	Cap-Door
13:4	107-7461	1	Screw-Plastite
15	32112-6	1	Nut-Push
16	107-0790	1	RH Rear HOC Plate ASM
18	105-3032	1	Spring-Door, Rear
19	105-1323	1	Rear Door ASM
19:2	105-1295	1	Decal-Warning
22	46-6810	1	Screw And Washer ASM
23	46-8091	2	Screw-HWH

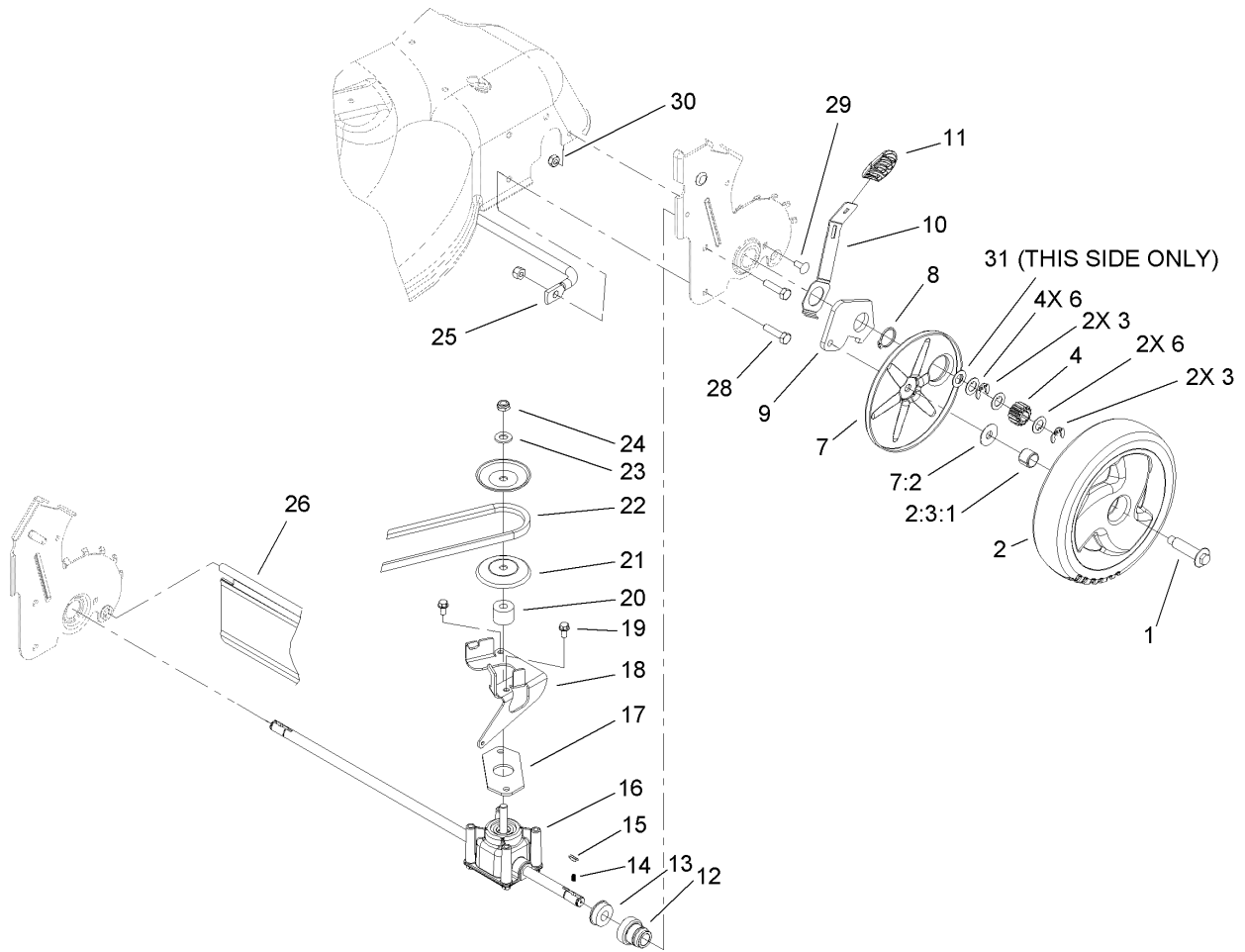
Ref	Part No.	Qty.	Description
24	105-1842	1	Plug-Discharge, Rear
25	105-1827	1	Rod-Pivot, Rear Door
27	104-9369	1	Plug-Dome
28	107-0783	1	LH Rear HOC Plate ASM
29	105-3006	4	Washer-Stepped
30	105-1834	1	Baffle-Rear
35	108-8117	1	Decal-Placement, Foot



Front Axle Assembly

Ref	Part No.	Qty.	Description
1	614650	2	Bolt-Shoulder
2	105-1814	2	Wheel ASM
3	322-6	2	Screw-HH
4	110-7466	2	Washer-Wheel Bolt
5	105-3048	2	Washer-Flat
6	105-1807	2	Arm-Pivot, Front
7	105-1809	2	Arm-Spring
8	105-3042	2	Knob-Lever, HOC
9	105-1818	2	Bushing-Mount, HOC
10	3296-29	2	Nut-Lock, NI
11	46-8091	1	Screw-HWH
12	105-3004	1	Cover-Cutout
13	105-3005	1	Cover-Belt Opening
14	104-9359	1	Bumper-Mower
15	105-6849	3	Screw-Thread Forming

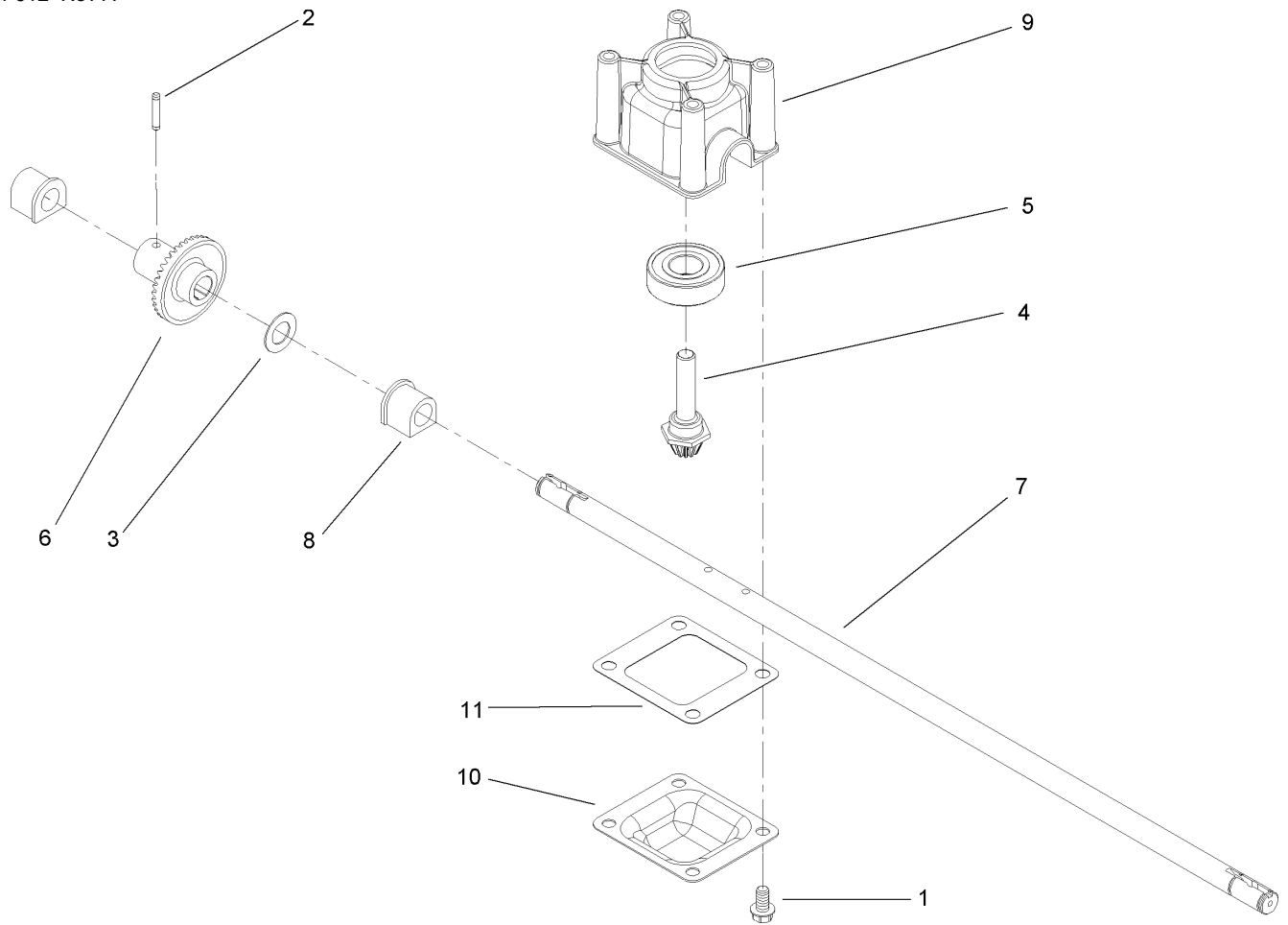
--	--	--	--



Rear Axle and Transmission Assembly

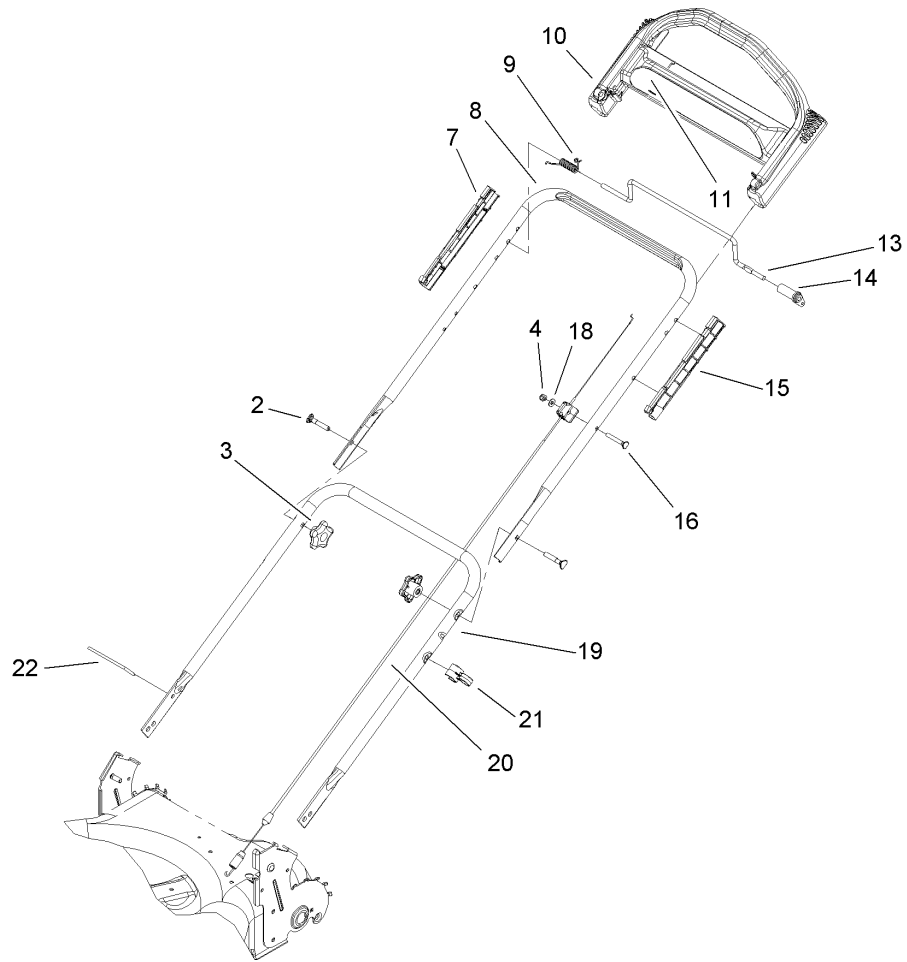
Ref	Part No.	Qty.	Description
1	614650	2	Bolt-Shoulder
2	105-3036	2	Wheel Gear ASM
1 2:3		1	Wheel ASM
2:3:1	27-6250	2	Bushing
3	65-2720	4	Klipring-Locking
4	105-3040	2	Gear-Pinion, 15T
6	105-6840	6	Washer-Thrust
7	108-3794	2	Cover-Wheel
1 2:7:1		1	Cover
7:2	614426	1	Washer-Stepped
8	32151-36	2	Ring-Retaining
9	105-1819	2	Arm-Pivot, Rear
10	105-1809	2	Arm-Spring
11	105-3042	2	Knob-Lever, HOC
12	104-8698	2	Retainer-Bearing, HOC
13	104-8699	2	Bearing-Ball
14	39-9650	2	Spring-Compression
15	612066	2	Key
16	106-3956	1	Transmission ASM
17	108-9756	1	Gasket-Gearbox
18	106-6809-03	1	Bracket-Pivot
19	32144-4	2	Screw-HWH
20	92-5791	1	Spacer
21	100-1176	2	Pulley-Half

Ref	Part No.	Qty.	Description
22	91-2258	1	V-Belt
23	3256-24	1	Washer-Flat
24	3296-5	1	Nut-Lock
25	105-1811	1	Brace-Plate, HOC
26	105-1843	1	Shield-Trailing
28	322-6	4	Screw-HH
29	3229-11	2	Screw-CARR
30	3296-16	2	Nut-Lock, NI
31	36-4780	1	Washer



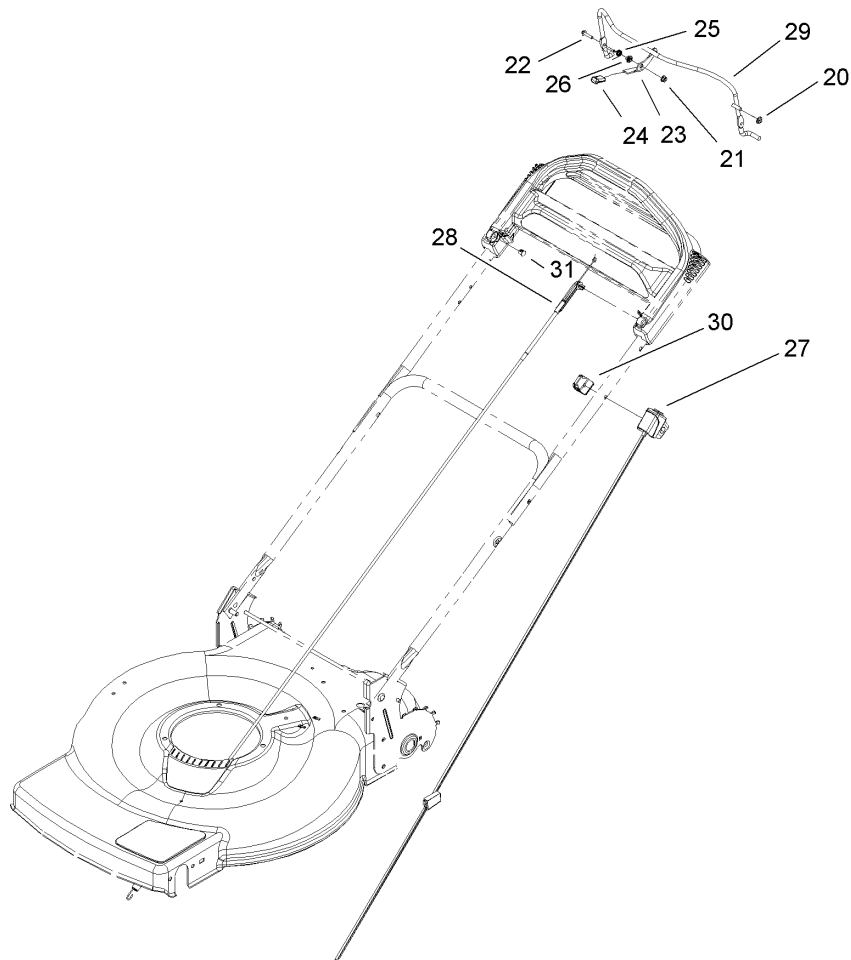
Transmission Assembly No. 106-3956

Ref	Part No.	Qty.	Description
1	32144-4	4	Screw-HWH
2	3285-19	1	Pin-Groove
3	36-4780	1	Washer
4	92-5790	1	Pinion
5	100-1048	1	Bearing-Ball
6	104-8671	1	Gear-Bevel, 37T
7	106-3957	1	Shaft-Output
8	104-8673	2	Bushing-Shaft, Output
9	104-8674	1	Gearcase-Upper
10	104-8675-03	1	Cover-Gearcase
11	105-6839	1	Gasket-Gearcase



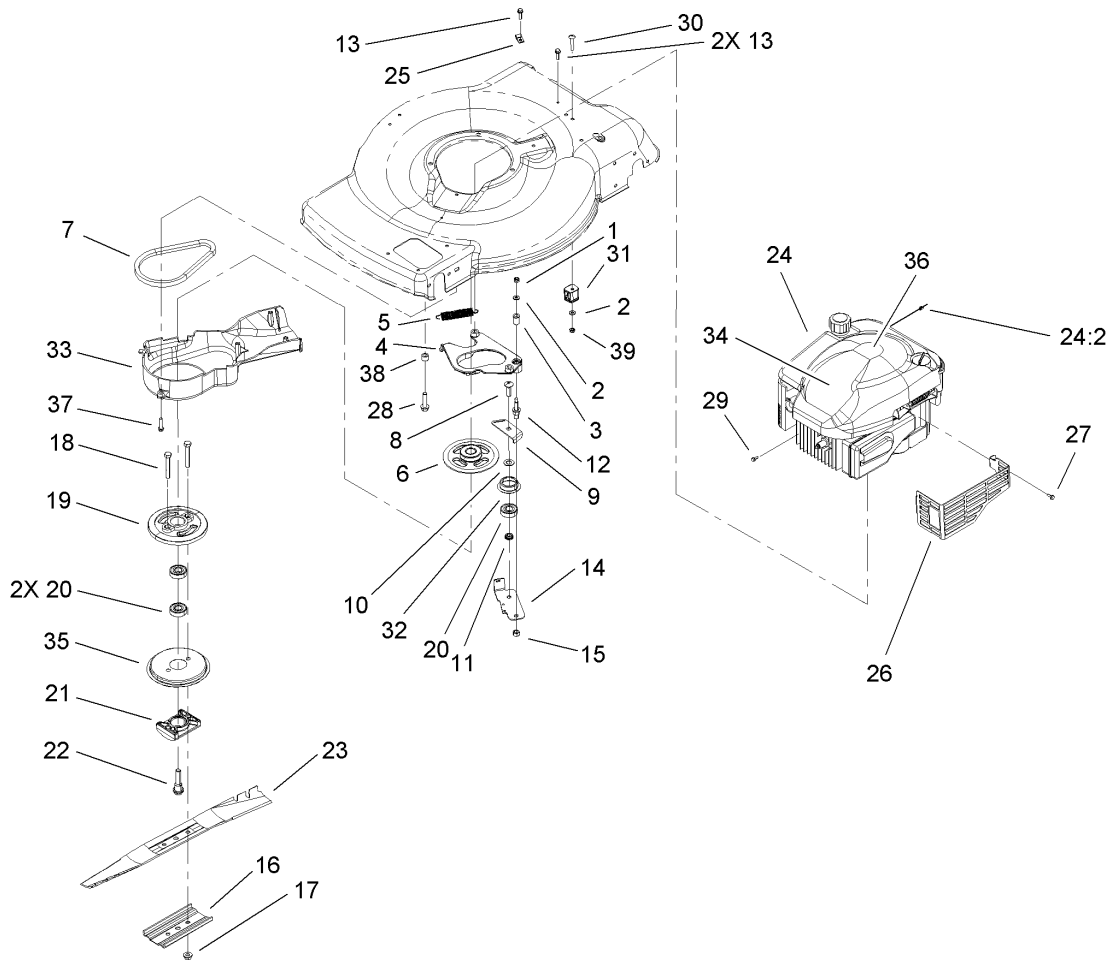
Handle Assembly

Ref	Part No.	Qty.	Description				
2	92-2260	2	Screw-Handle				
3	106-4161	2	Knob-Handle				
4	3296-73	2	Nut-Lock, NI				
7	105-6841	2	Guide-RH				
8	104-8680-05	1	Handle-Upper				
9	104-8690	1	Spring-Torsion				
10	104-8678	1	Handle-Control				
11	105-3033	1	Decal-Handle, Control				
13	99-1588	1	Bar-Control, Traction				
14	99-1589	1	Lever-Traction				
15	105-6842	2	Guide-LH				
16	321-50	1	Screw-HH				
18	3256-1	1	Washer-Flat				
19	107-0784-05	1	Handle-Lower				
20	105-1844	1	Cable-Traction				
21	106-6805	1	Guide-Cable				
22	614249	1	Strap-Tie				



Handle and Switch Assembly

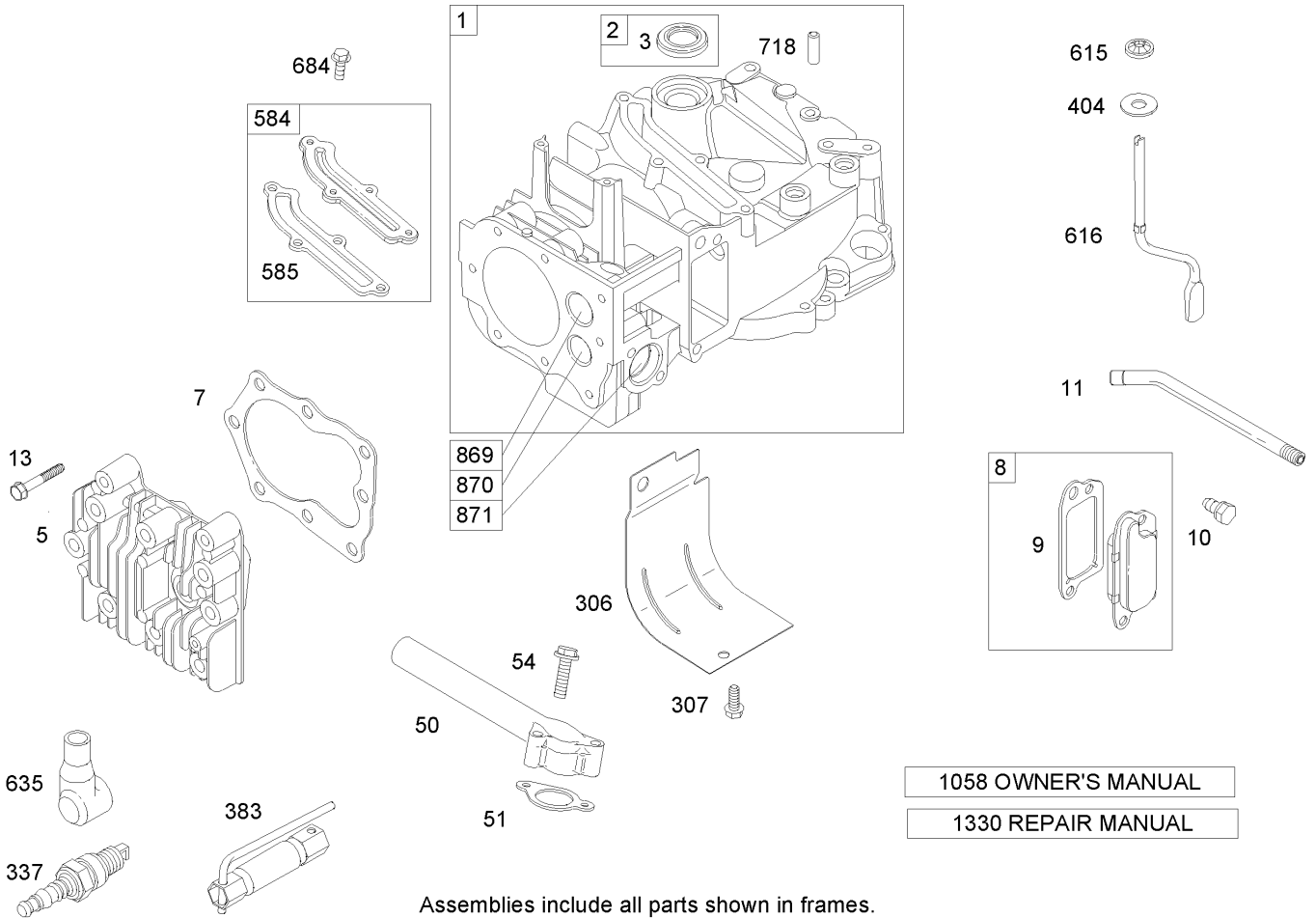
Ref	Part No.	Qty.	Description
20	3290-337	1	Nut-Speed
21	32128-17	1	Nut-Lock, Flange
22	106-9169	1	Screw
23	106-6802	1	Lever
24	106-6803	1	Knob
25	107-7462	1	Spring-Torsion
26	107-7463	1	Spacer
27	108-8161	1	Switch Housing ASM
28	107-0799	1	Cable ASM
29	108-3788	1	Bail-Brake
30	99-5239	1	Anchor-Cable
31	104-9368	1	Plug-Dome



Engine Assembly

Ref	Part No.	Qty.	Description
1	3296-73	1	Nut-Lock, NI
2	3256-16	2	Washer-Flat
3	107-0797	1	Bushing
4	108-9341	1	Plate-Anchor
5	108-3792	1	Spring-Tension, Brake
6	110-7456	1	Pulley-BBC
7	110-1790	1	Belt-BBC
8	3231-25	1	Screw-CARR
9	107-7471	1	Plate-Guide
10	605256	1	Washer
11	107-0758	1	Spacer-Bearing
12	107-0759	1	Bolt-Shoulder
13	46-8091	3	Screw-HWH
14	107-7477	1	Brake Arm ASM
15	603773	2	Nut
16	108-3766-03	1	Support-Blade
17	54-9190	2	Nut-Lock
18	3211-42	2	Screw-HH
19	107-0754	1	Drum
20	100-1048	3	Bearing-Ball
21	107-7487	1	Support-Blade
22	107-7486	1	Bolt-Crank
23	108-9764-03	1	Blade-22 Inch

Ref	Part No.	Qty.	Description
24		1	Engine-Briggs And Stratton, 125K02-0202-E1
24:2	2210-316	1	Stop-Rope
25	2412-72	1	Clip-Closed, Insulated
26	104-7577-03	1	Shield-Muffer
27	32144-1	3	Screw-Taptite
28	32144-102	3	Screw-HWH
29	32144-112	1	Screw-HWH
30	3229-4	1	Screw-CARR
31	106-6801	1	Anchor-Cable, BBC
32	108-3790	1	Retainer-Belt
33	107-0798	1	Cover-BBC
34	108-9774	1	Decal
35	108-3787	1	Disc
36	108-8131	1	Decal-Recoil
37	46-8092	1	Screw-Plastite
38	100-6447	1	Tube-Spacer
39	3296-56	1	Nut-Lock, NI

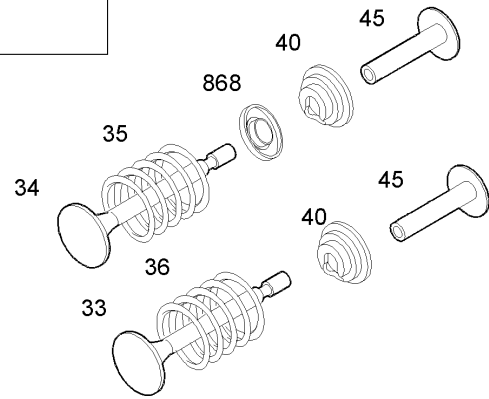
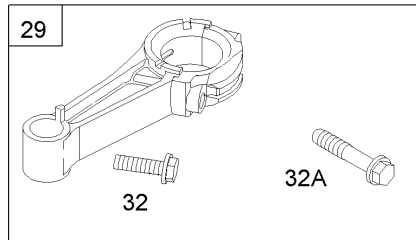
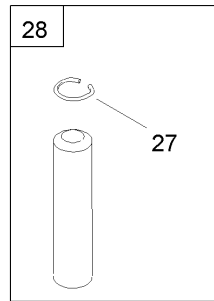
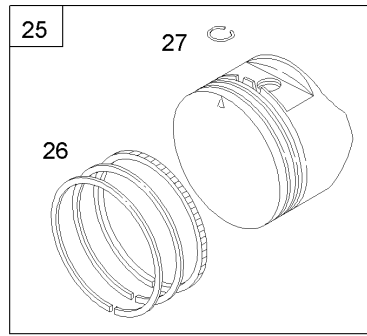


Assemblies include all parts shown in frames.

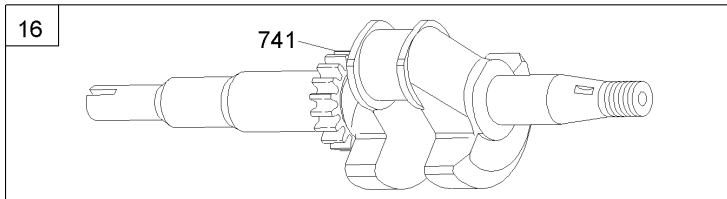
Cylinder Assembly Briggs and Stratton 125K02-0202-E1

Ref	Part No.	Qty.	Description
1	697322	1	Cylinder ASM
2	399269	1	Bushing/Seal Kit
3	299819s	1	Seal-Oil (Magneto Side)
5	691160	1	Head-Cylinder
7	692249	1	Gasket-Head, Cylinder
8	695250	1	Breather ASM
9	699472	1	Gasket-Breather
10	691125	1	Screw (Breather Assembly)
11	691781	1	Tube-Breather
13	690912	1	Screw (Cylinder Head)
50	497465	1	Manifold-Intake
51	272199s	1	Gasket-Intake
54	691650	1	Screw (Intake Manifold)
306	690450	1	Shield-Cylinder
307	690345	1	Screw (Cylinder Shield)
337	802592s	1	Plug-Spark
383	89838s	1	Wrench-Spark Plug
404	690272	1	Washer (Governor Crank)
584	697734	1	Cover-Passage, Breather
585	691879	1	Gasket-Passage, Breather
615	690340	1	Retainer-Shaft, Governor
616	698801	1	Crank-Governor
635	66538s	1	Boot-Spark Plug
684	690345	1	Screw (Breather Passage Cover)

Ref	Part No.	Qty.	Description
718	690959	1	Pin-Locating
869	691155	1	Seat-Valve (Intake)
870	690380	1	Seat-Valve (Exhaust)
871	262001	1	Bushing-Guide (Exhaust)
871	63709	1	Bushing-Guide (Intake)
1058	276171	1	Owners Manual
1330	270962	1	Manual-Repair



48 Short Block



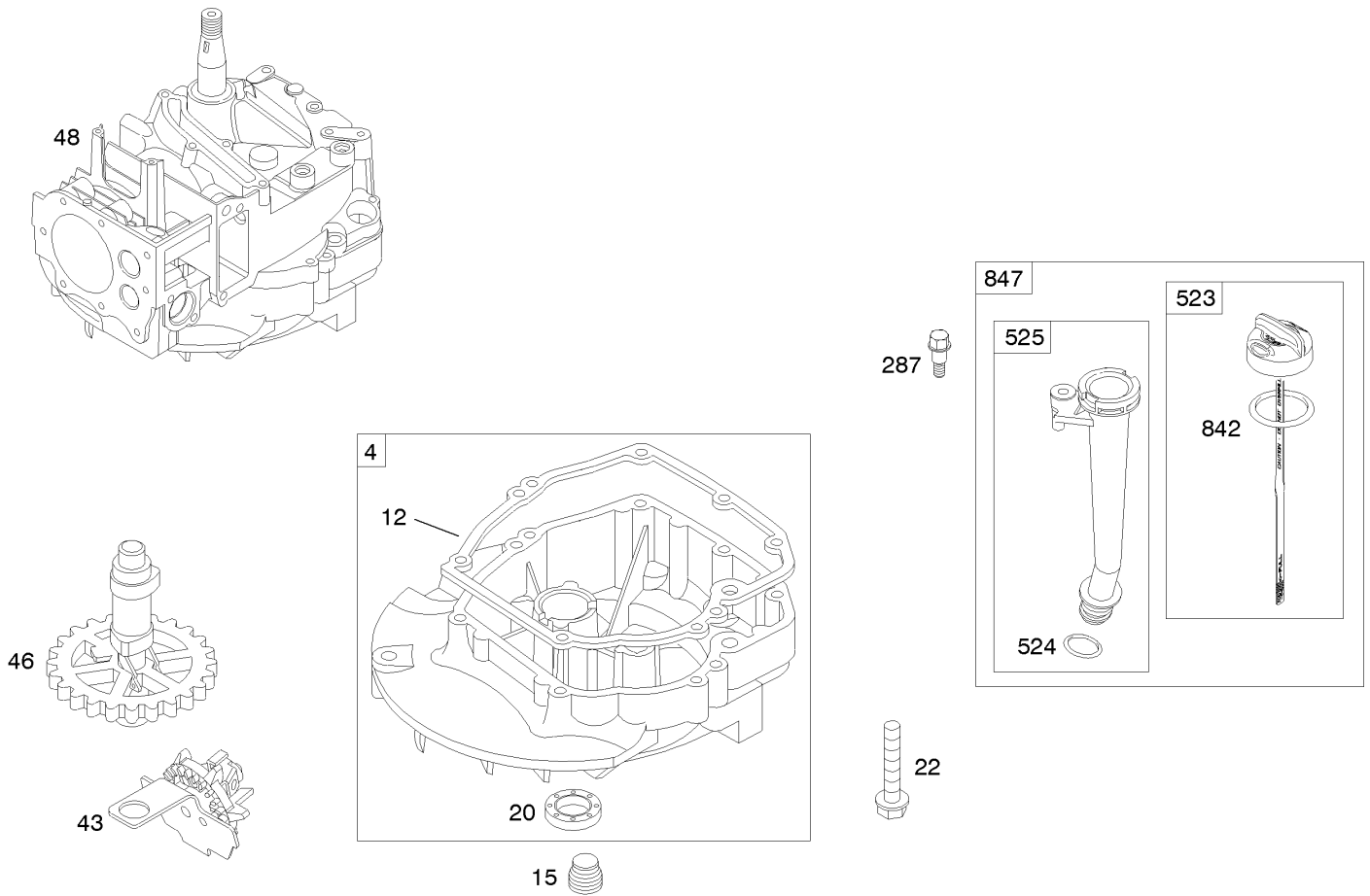
Assemblies include all parts shown in frames.

Crankshaft Assembly

Briggs and Stratton 125K02-0202-E1

Ref	Part No.	Qty.	Description
16	791061	1	Crankshaft
24	222698s	1	Key-Flywheel
25	790359	1	Piston ASM (Standard)
25	791326	1	Piston ASM (.020 Oversize)
26	790360	1	Ring Set (Standard)
26	791324	1	Ring Set (.020 Oversize)
27	691866	1	Lock-Pin, Piston
28	499423	1	Pin-Piston (Standard)
28	298908	1	Pin-Piston (.005 Undersize)
29	499424	1	Rod-Connecting (Standard)
32	691664	1	Screw (Connecting Rod)
32A	695759	1	Screw (Connecting Rod)
33	262651s	1	Valve-Exhaust
34	262652s	1	Valve-Intake
35	691270	1	Spring-Valve (Intake)
36	691270	1	Spring-Valve (Exhaust)
40	692194	1	Retainer-Valve
45	690548	1	Tappet-Valve
48	791772	1	Short Block
741	790345	1	Gear-Timing
868	697338	1	Seal-Valve

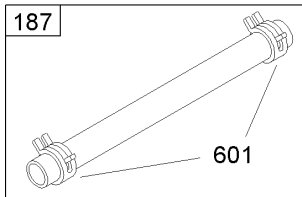
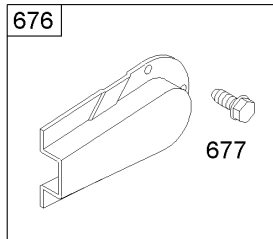
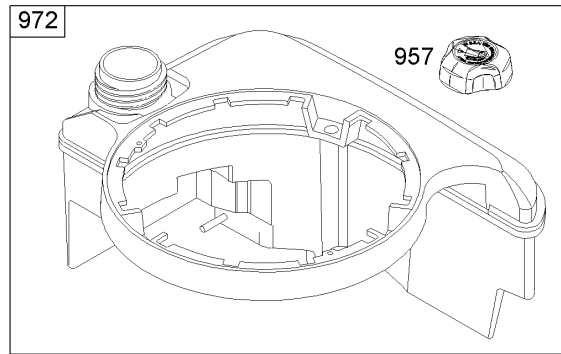
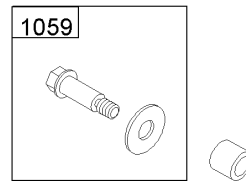
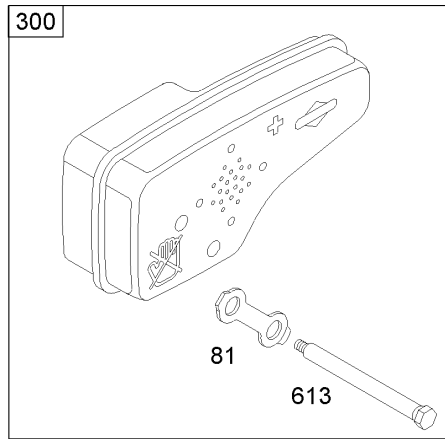
--	--	--	--



Assemblies include all parts shown in frames.

Crankcase Assembly Briggs and Stratton 125K02-0202-E1

Ref	Part No.	Qty.	Description
4	493279	1	Sump-Engine
12	692232	1	Gasket-Crankcase (.015 Thick, Standard)
15	691680	1	Plug-Drain, Oil
20	399781s	1	Seal-Oil
22	691092	1	Screw (Engine Sump)
43	691997	1	Slinger-Governor/Oil
46	691449	1	Camshaft
48	791772	1	Short Block
287	690940	1	Screw (Dipstick Tube)
523	499621	1	Dipstick
524	692296	1	Seal-O Ring
525	495265	1	Tube-Dipstick
842	691031	1	Seal-O Ring (Dipstick Tube)
847	692047	1	Dipstick/Tube ASM

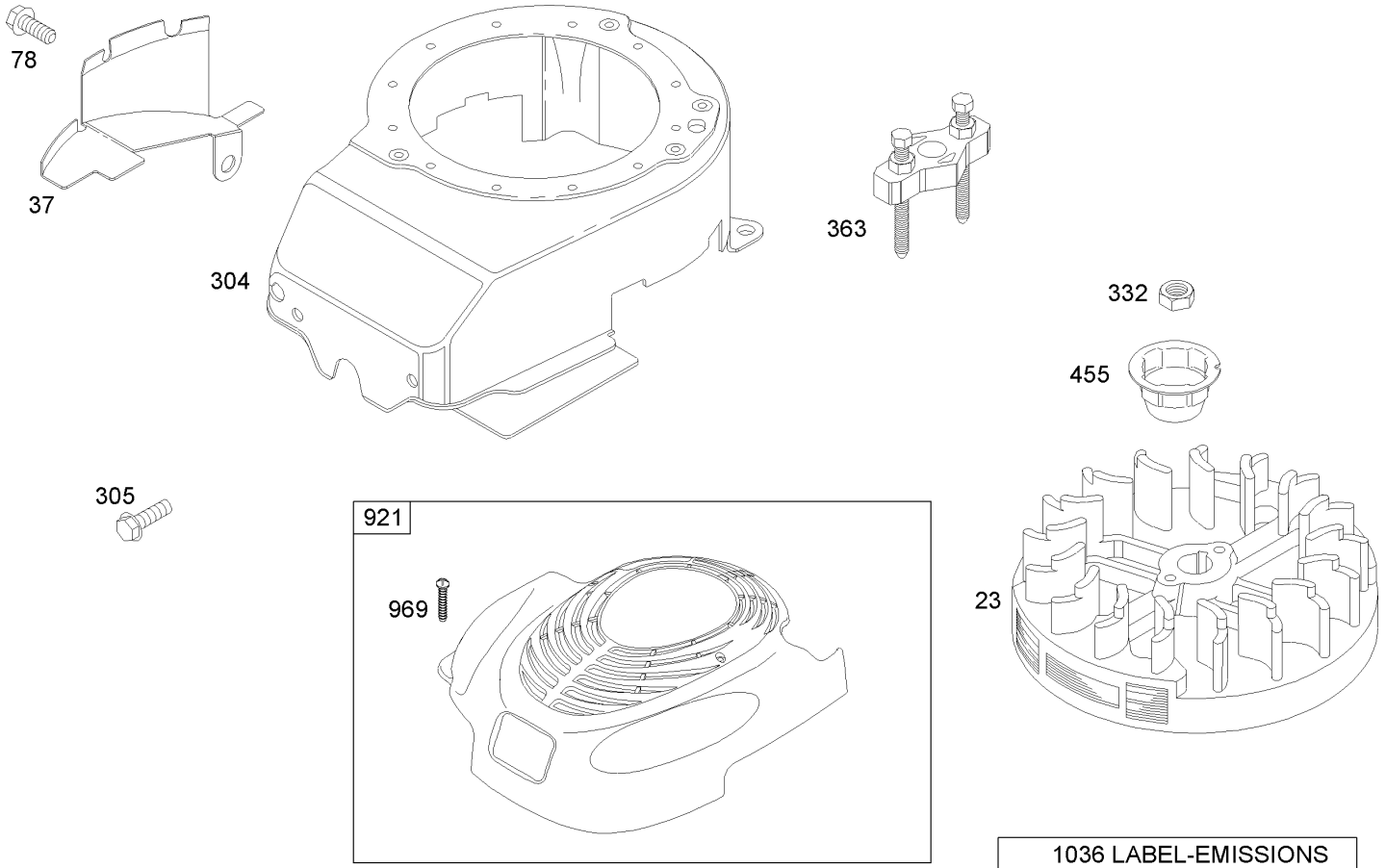


Assemblies include all parts shown in frames.

Muffler and Fuel Tank Assembly Briggs and Stratton 125K02-0202-E1

Ref	Part No.	Qty.	Description
● 81	691740	1	Lock-Screw, Muffler
● 187	791766	1	Line-Fuel (Cut To Required Length)
● 190	690940	1	Screw (Fuel Tank)
● 300	692038	1	Muffler
● 601	791850	1	Clamp-Hose
● 613	691340	1	Screw (Muffler)
● 670	692294	1	Spacer-Tank, Fuel
● 676	493871	1	Deflector-Muffler
● 677	690661	1	Screw (Muffler Deflector)
● 957	699985	1	Cap-Fuel Tank
● 972	699374	1	Tank-Fuel
● 1059	692311	1	Screw/Washer Kit

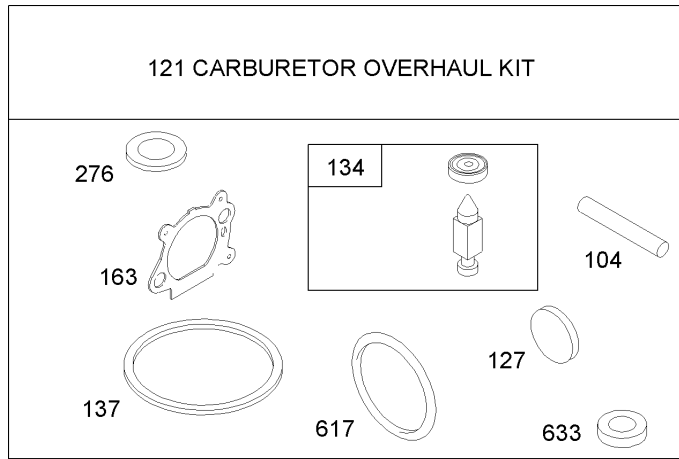
--	--	--	--



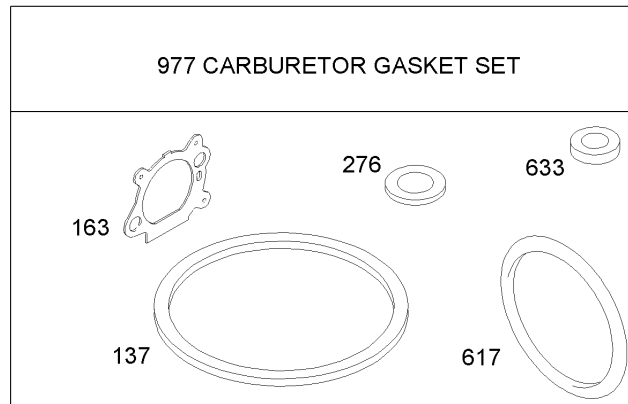
Assemblies include all parts shown in frames.

Blower Housing Assembly Briggs and Stratton 125K02-0202-E1

Ref	Part No.	Qty.	Description
● 23	691992	1	Flywheel
● 37	694086	1	Guard-Flywheel
● 78	691108	1	Screw (Flywheel Guard)
● 304	493294	1	Housing-Blower
● 305	691108	1	Screw (Blower Housing)
● 455	791960	1	Cup-Flywheel
● 332	690662	1	Nut (Flywheel)
● 363	19069	1	Puller-Flywheel
● 455	791960	1	Cup-Flywheel
● 921	790036	1	Cover-Housing, Blower
● 969	691138	1	Screw (Blower Housing Cover)
● 1036	792156	1	Label-Emission



Assemblies include all parts shown in frames.



Carburetor Overhaul Kit Assembly Briggs and Stratton 125K02-0202-E1

Ref	Part No.	Qty.	Description
③④104	691242	1	Pin-Hinge, Float
③121	498260	1	Carburetor Overhaul Kit
③④127	694468	1	Plug-Welch
③④134	398188	1	Needle/Seat Kit
③④137	693981	1	Gasket-Bowl, Float
⑥			
③④163	272653s	1	Gasket-Air Cleaner
⑤⑥			
③④276	271716	1	Washer-Sealing
⑥			
③④617	270344s	1	Seal-O Ring (Intake Manifold)
⑤⑥			
③④633	691321	1	Seal-Shaft, Choke/Throttle
⑥			
③977	498261	1	Carburetor Gasket Set

NOTES

NOTES

