



## 22in Recycler<sup>®</sup> Lawnmower

Model No. 20079 - 260000001 and up.

### Parts Catalog

---

#### **Ordering Replacement Parts**

To order replacement parts, please supply the part number, the quantity, and the description of each part desired.

#### **Understanding Reference Numbers**

Each identified part in an illustration has a reference number. The reference number for a part also appears in the parts list, along with other information about the part.

This catalog uses two special reference number formats, one to indicate parts in a service assembly and another to indicate the quantity of a given part in an illustration.

#### **Service Assembly Reference Numbers**

Parts in service assemblies have reference numbers in the form a:b. The a represents the reference number of the entire service assembly and the b represents a sequential number unique to each part within the service assembly.

For example, a wheel assembly might be identified by reference number 6, the tire by 6:1, the valve by 6:2, and the wheel by 6:3. When you order the assembly identified by reference number 6, you receive all parts identified by reference numbers 6:1, 6:2, and 6:3. However, you may also order any part individually. Reference numbers of this type appear in illustrations and in part lists.

#### **Reference Numbers Indicating Quantity**

In an illustration, if a reference number indicates more than one part, the reference number has the form nX y. The n represents the quantity of the part, the X is the multiplication symbol, and the y represents the reference number.

For example, in an illustration, the reference number 2X 37 means that two of the parts identified by reference number 37 are indicated.

# Contents

Description	Page	Description	Page
Deck, Side Chute and Rear Door Assembly	..... 3	Engine Assembly No. 1 Tecumseh LV195EA-362004D	..... 12
Front Axle Assembly	..... 4	Engine Assembly No. 2 Tecumseh LV195EA-362004D	..... 14
Rear Axle and Transmission Assembly	..... 5	12 Volt Electric Starter Assembly No. 37753	
Transmission Assembly No. 106-3956	..... 6	Tecumseh LV195EA-362004D	..... 16
Engine and Blade Assembly	..... 7	Rewind Starter Assembly No. 590739	
Handle Assembly	..... 8	Tecumseh LV195EA-362004D	..... 17
Electrical Assembly	..... 9	Recoil Starter Assembly No. 590702	
Rear Bag Assembly	..... 10	(Optional) Tecumseh LV195EA-362004D	..... 18
Carburetor Assembly Tecumseh LV195EA-362004D	..... 11		

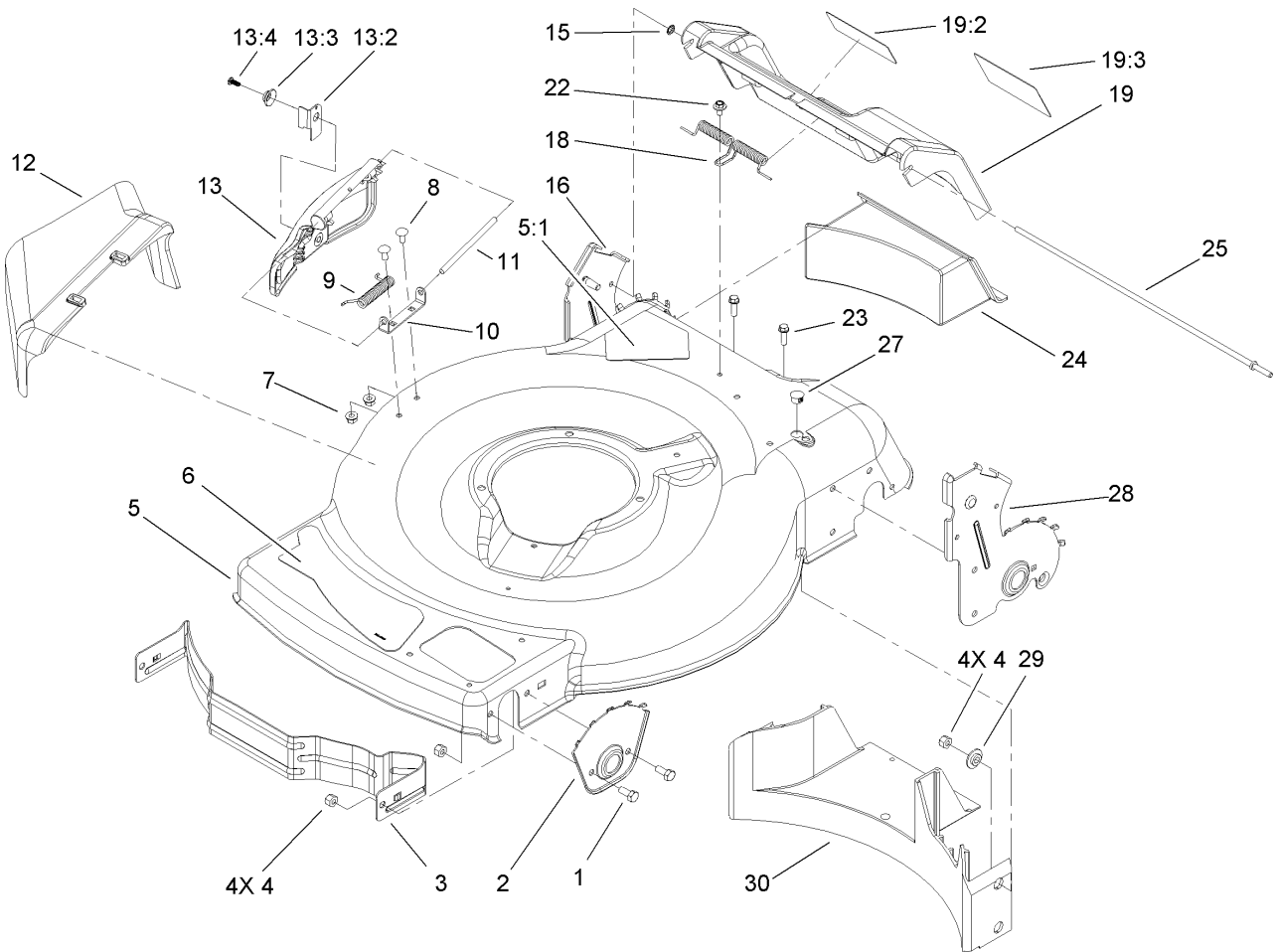
## Part Description Abbreviations

Part descriptions in this catalog may include the following abbreviations.

AR. .... as required	INC. .... incorporated
ASM. .... assembly	LH. .... left hand
BBC. .... blade brake clutch	NI. .... nylon insert
CARR. .... carriage	NPTF. .... national pipe thread fine
DEG. .... degrees	PFH. .... phillips flat head
EXT. .... external	PPH. .... phillips pan head
FH. .... flat head	PPHTF. .... phillips pan head thread forming
GA. .... gauge	PRH. .... phillips round head
HF. .... hex flange	PTH. .... phillips truss head
HH. .... hex head	PTO. .... power-take-off
HHF. .... hex head flange	RH. .... right hand
HHFTF. .... hex head flange thread forming	ROPS. .... roll-over-protection-system
HJ. .... hex jam	SFH. .... slotted fillister head
HLH. .... hex lag head	SHH. .... slotted hex head
HOC. .... height-of-cut	SHWH. .... slotted hex washer head
HSBH. .... hex socket button head	SPH. .... slotted pan head
HSFH. .... hex socket flat head	SQH. .... square head
HSH. .... hex socket head	SRH. .... slotted round head
HWH. .... hex washer head	STD. .... standard
HWHTF. .... hex washer head thread forming	TAP. .... self tapping
HYD. .... hydraulic	TTH. .... torx truss head

## Footnotes

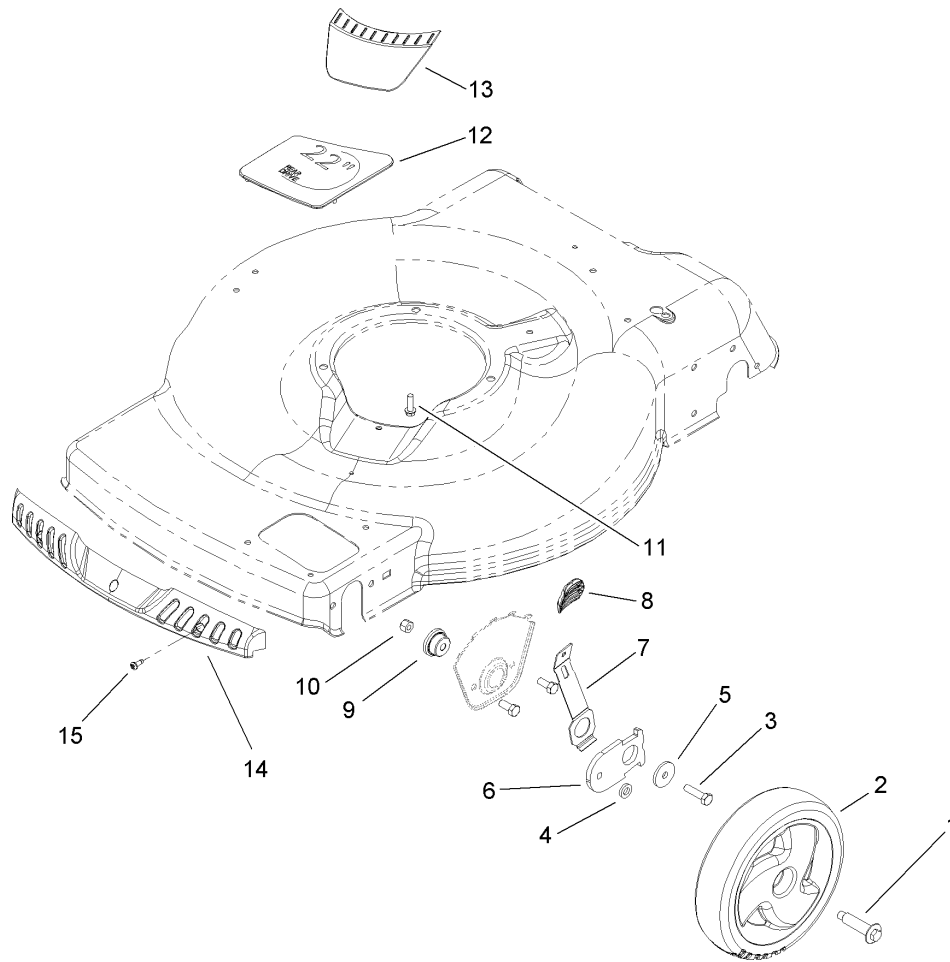
- |  |                                     |
|--|-------------------------------------|
| ❶ Not illustrated                        | ❷ Not serviced separately           |
| ❸ Obtain from your local Tecumseh dealer | ❹ Included in Repair Kit No. 632809 |
| ❺ Included in Gasket Kit 37613           |                                     |



## Deck, Side Chute and Rear Door Assembly

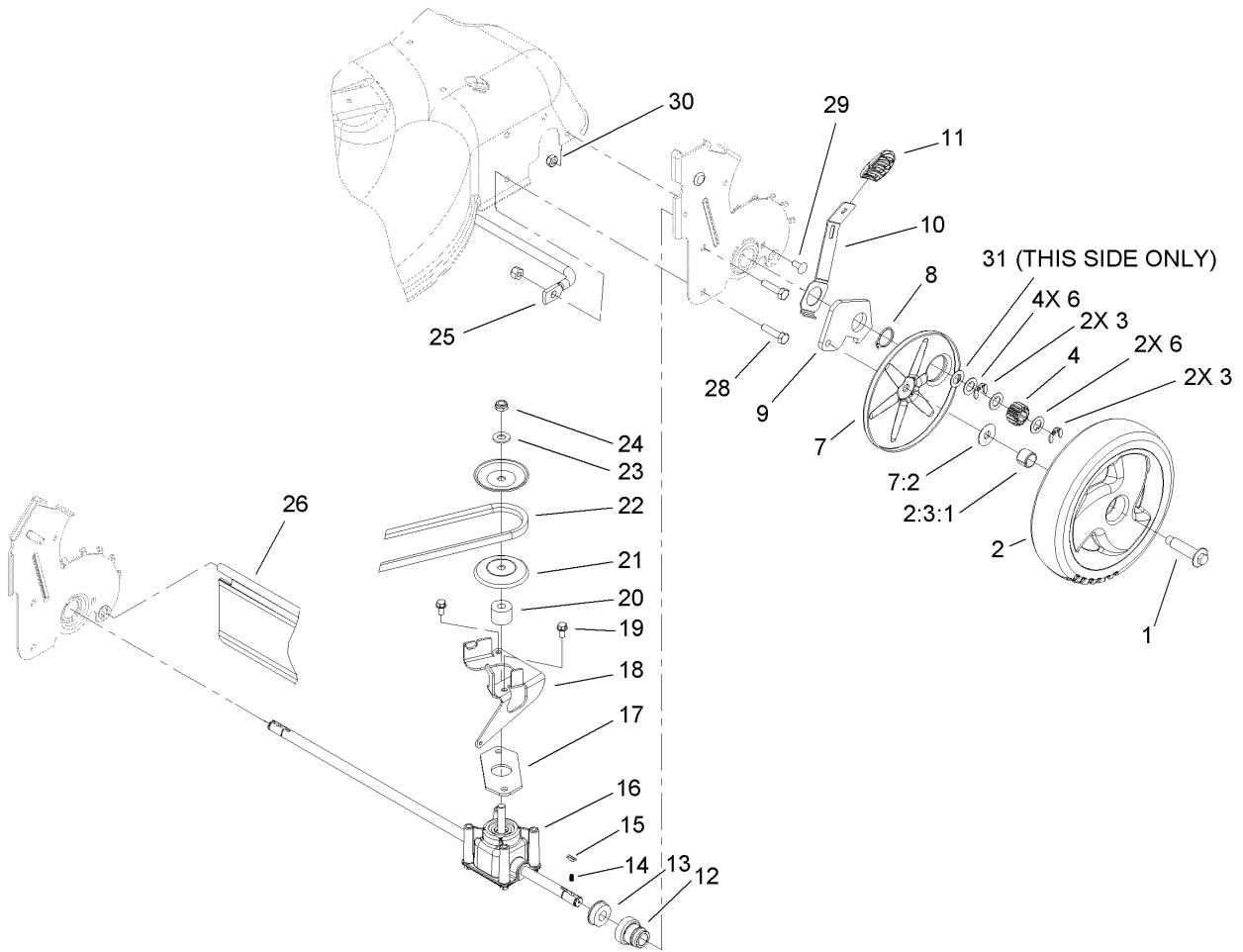
Ref	Part No.	Qty.	Description
1	322-3	4	Screw-HH
2	105-1808-03	2	Plate-HOC, Front
3	104-8694-03	1	Baffle-Front
4	3296-29	8	Nut-Lock, NI
5	104-7916	1	Housing
5:1	94-8072	1	Decal-Danger
6	105-1297	1	Decal-Deck
7	32128-32	2	Nut-HHF
8	3229-11	2	Screw-CARR
9	99-5293	1	Spring-Torsion
10	99-5292	1	Bracket-Cover
11	99-5291	1	Rod-Cover
12	105-3028	1	Chute-Discharge, Side
13	106-8376	1	Discharge Door ASM
13:2	107-0795	1	Latch-Door
13:3	107-7456	1	Cap-Door
13:4	107-7461	1	Screw-Plastite
15	32112-6	1	Nut-Push
16	107-0790	1	RH Rear HOC Plate ASM
18	105-3032	1	Spring-Door, Rear
19	105-1324	1	Rear Door ASM
19:2	104-7909	1	Decal-Warning
19:3	104-7908	1	Decal-Warning
22	46-6810	1	Screw And Washer ASM

Ref	Part No.	Qty.	Description
23	46-8091	2	Screw-HWH
24	105-1842	1	Plug-Discharge, Rear
25	105-1827	1	Rod-Pivot, Rear Door
27	104-9369	1	Plug-Dome
28	107-0783	1	LH Rear HOC Plate ASM
29	105-3006	4	Washer-Stepped
30	105-1834	1	Baffle-Rear



### Front Axle Assembly

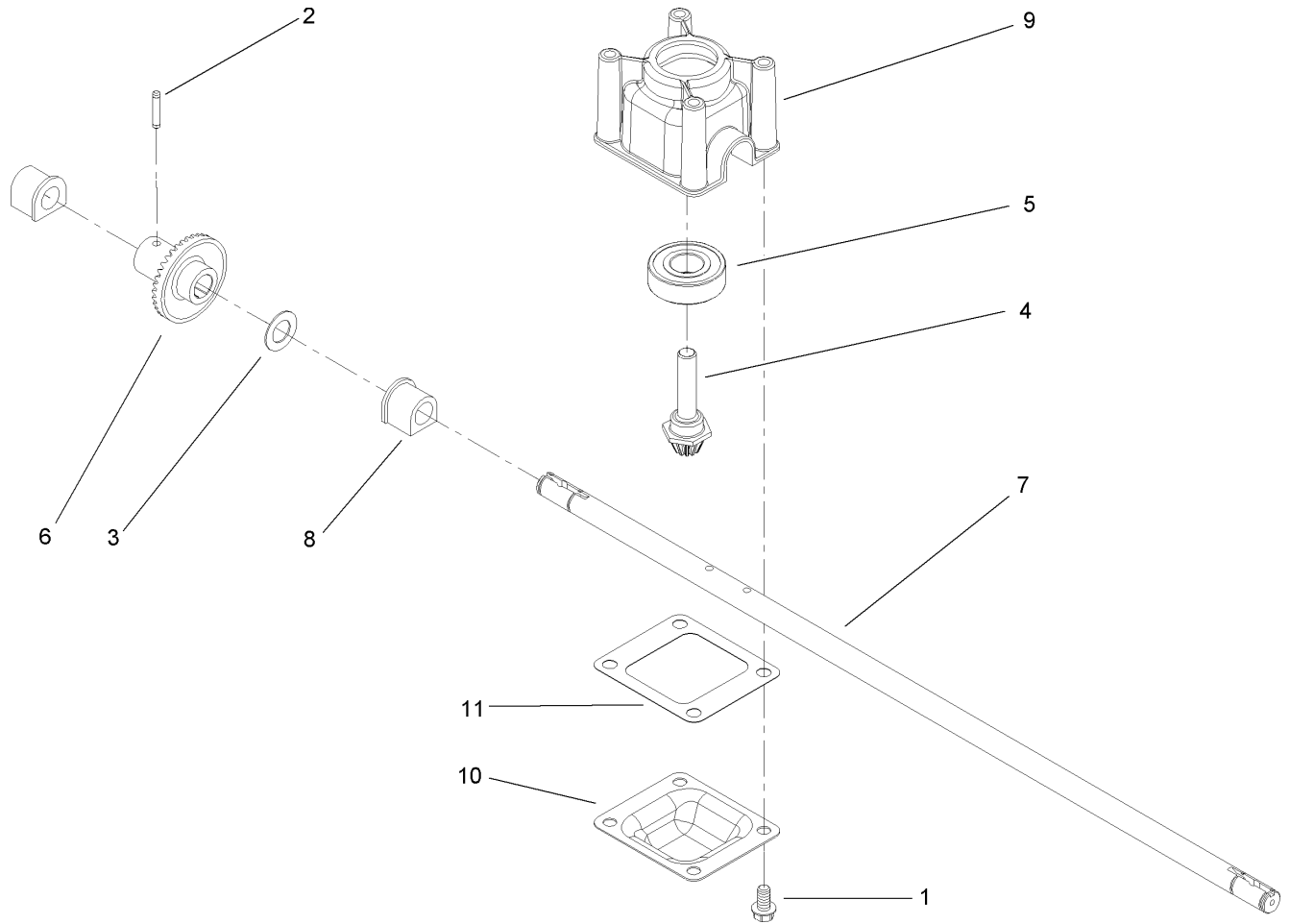
Ref	Part No.	Qty.	Description				
1	614650	2	Bolt-Shoulder				
2	105-1814	2	Wheel ASM				
3	322-6	2	Screw-HH				
4	110-7466	2	Washer-Wheel Bolt				
5	105-3048	2	Washer-Flat				
6	105-1807	2	Arm-Pivot, Front				
7	105-1809	2	Arm-Spring				
8	105-3042	2	Knob-Lever, HOC				
9	105-1818	2	Bushing-Mount, HOC				
10	3296-29	2	Nut-Lock, NI				
11	46-8091	1	Screw-HWH				
12	105-3004	1	Cover-Cutout				
13	105-3005	1	Cover-Belt Opening				
14	104-9359	1	Bumper-Mower				
15	105-6849	3	Screw-Thread Forming				



## Rear Axle and Transmission Assembly

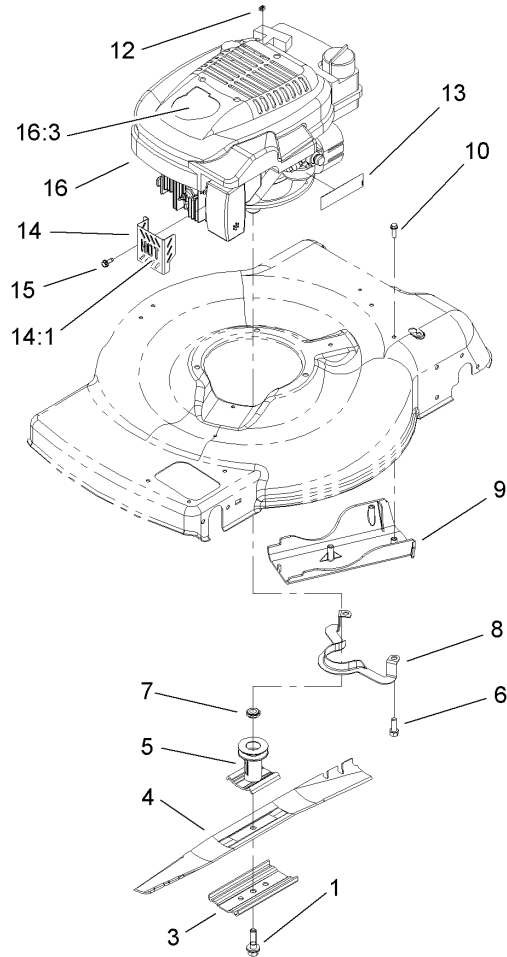
Ref	Part No.	Qty.	Description
1	614650	2	Bolt-Shoulder
2	105-3036	2	Wheel Gear ASM
1 2:3		1	Wheel ASM
2:3:1	27-6250	2	Bushing
3	65-2720	4	Klipring-Locking
4	105-3040	2	Gear-Pinion, 15T
6	105-6840	6	Washer-Thrust
7	108-3794	2	Cover-Wheel
1 2:7:1		1	Cover
7:2	614426	1	Washer-Stepped
8	32151-36	2	Ring-Retaining
9	105-1819	2	Arm-Pivot, Rear
10	105-1809	2	Arm-Spring
11	105-3042	2	Knob-Lever, HOC
12	104-8698	2	Retainer-Bearing, HOC
13	104-8699	2	Bearing-Ball
14	39-9650	2	Spring-Compression
15	612066	2	Key
16	106-3956	1	Transmission ASM
17	108-9756	1	Gasket-Gearbox
18	106-6809-03	1	Bracket-Pivot
19	32144-4	2	Screw-HWH
20	92-5791	1	Spacer
21	100-1176	2	Pulley-Half

Ref	Part No.	Qty.	Description
22	91-2258	1	V-Belt
23	3256-24	1	Washer-Flat
24	3296-5	1	Nut-Lock
25	105-1811	1	Brace-Plate, HOC
26	105-1843	1	Shield-Trailing
28	322-6	4	Screw-HH
29	3229-11	2	Screw-CARR
30	3296-16	2	Nut-Lock, NI
31	36-4780	1	Washer



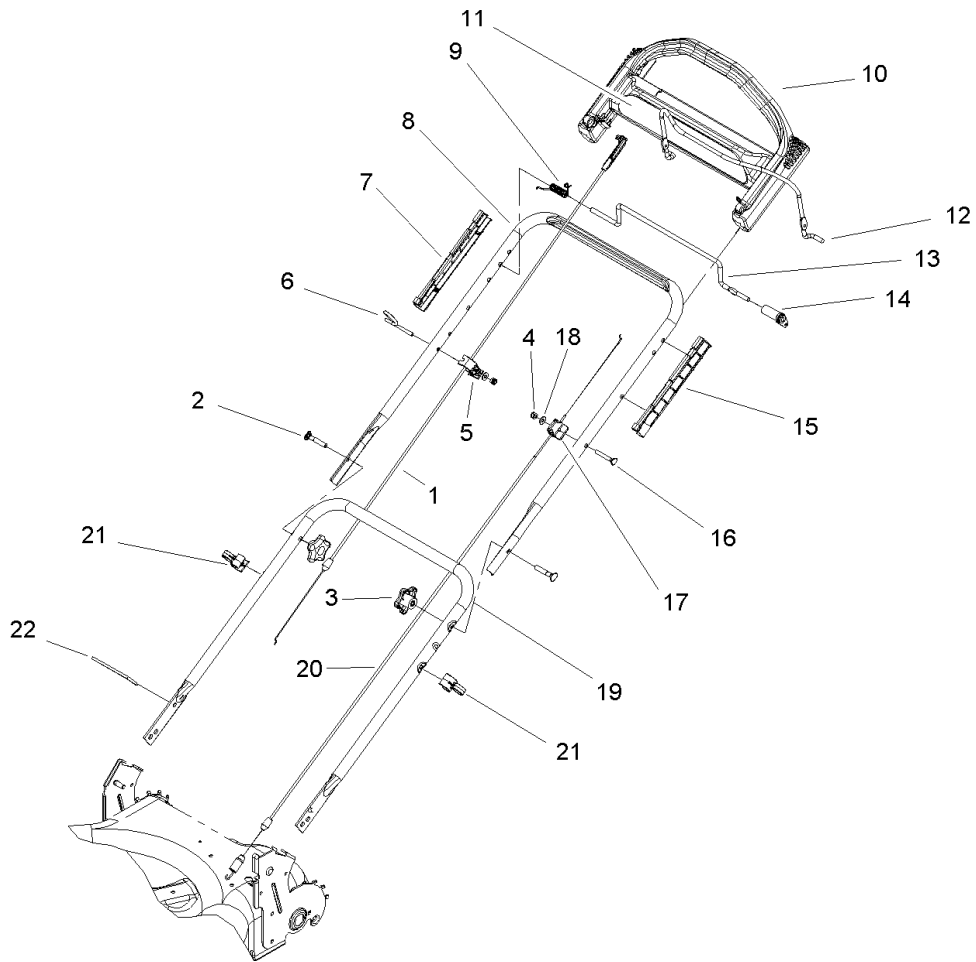
## Transmission Assembly No. 106-3956

Ref	Part No.	Qty.	Description
1	32144-4	4	Screw-HWH
2	3285-19	1	Pin-Groove
3	36-4780	1	Washer
4	92-5790	1	Pinion
5	100-1048	1	Bearing-Ball
6	104-8671	1	Gear-Bevel, 37T
7	106-3957	1	Shaft-Output
8	104-8673	2	Bushing-Shaft, Output
9	104-8674	1	Gearcase-Upper
10	104-8675-03	1	Cover-Gearcase
11	105-6839	1	Gasket-Gearcase

## Engine and Blade Assembly

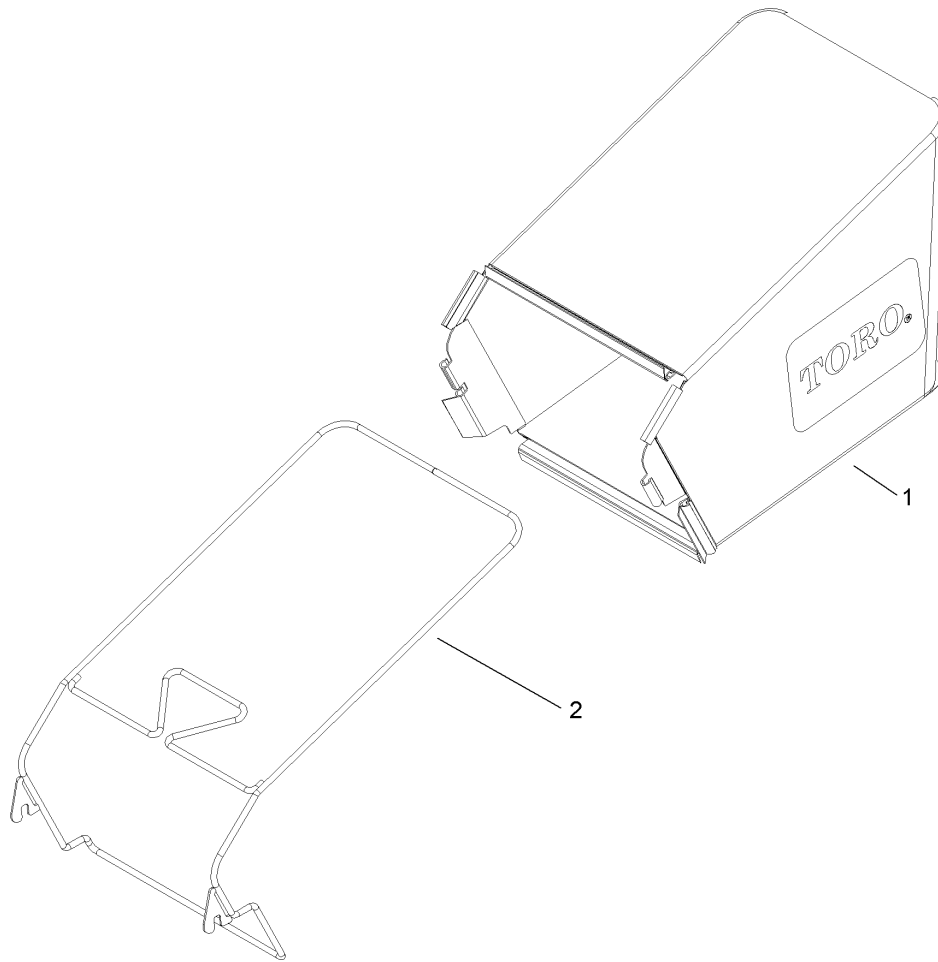
Ref	Part No.	Qty.	Description
1	105-8579	1	Bolt-Blade
3	108-3766-03	1	Support-Blade
4	108-9764-03	1	Blade-22 Inch
5	106-3987	1	Blade Driver ASM
6	95-1726	3	Screw-Taptite
7	106-3999	1	Spacer-Driver
8	105-3030-03	1	Guide-Belt
9	105-1835	1	Cover-Belt, Rear
10	46-8091	3	Screw-HWH
12	92-1701	1	Stop-Rope
13	105-6832	1	Decal-Primer
14	106-8387	1	Muffler Guard ASM
14:1	106-5517	1	Decal-Surface, Hot
15	32144-85	1	Screw-HWH
16		1	Engine-Tecumseh, Lv195Ea-362004D
16:3	105-6815	1	Decal-Recoil



## Handle Assembly

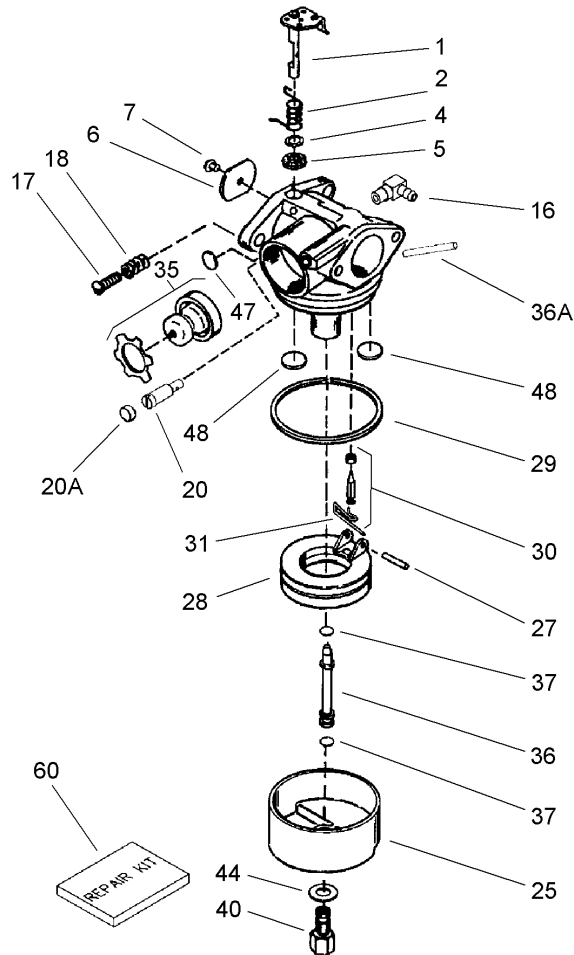
Ref	Part No.	Qty.	Description
1	104-8676	1	Cable-Brake
2	92-2260	2	Screw-Handle
3	106-4161	2	Knob-Handle
4	3296-73	2	Nut-Lock, NI
5	106-8331	1	Anchor-Cable
6	106-8330	1	Guide-Rope
7	105-6841	2	Guide-RH
8	104-8680-05	1	Handle-Upper
9	104-8690	1	Spring-Torsion
10	104-8678	1	Handle-Control
11	105-3033	1	Decal-Handle, Control
12	104-8679-03	1	Bail-Brake
13	99-1588	1	Bar-Control, Traction
14	99-1589	1	Lever-Traction
15	105-6842	2	Guide-LH
16	321-50	1	Screw-HH
17	92-7729	1	Anchor-Cable, Upper
18	3256-1	2	Washer-Flat
19	107-0784-05	1	Handle-Lower
20	105-1844	1	Cable-Traction
21	106-6805	2	Guide-Cable
22	614249	1	Strap-Tie



### Rear Bag Assembly

Ref	Part No.	Qty.	Description
1	107-3779	1	Grass Bag ASM
2	107-3785-03	1	Bag Frame ASM



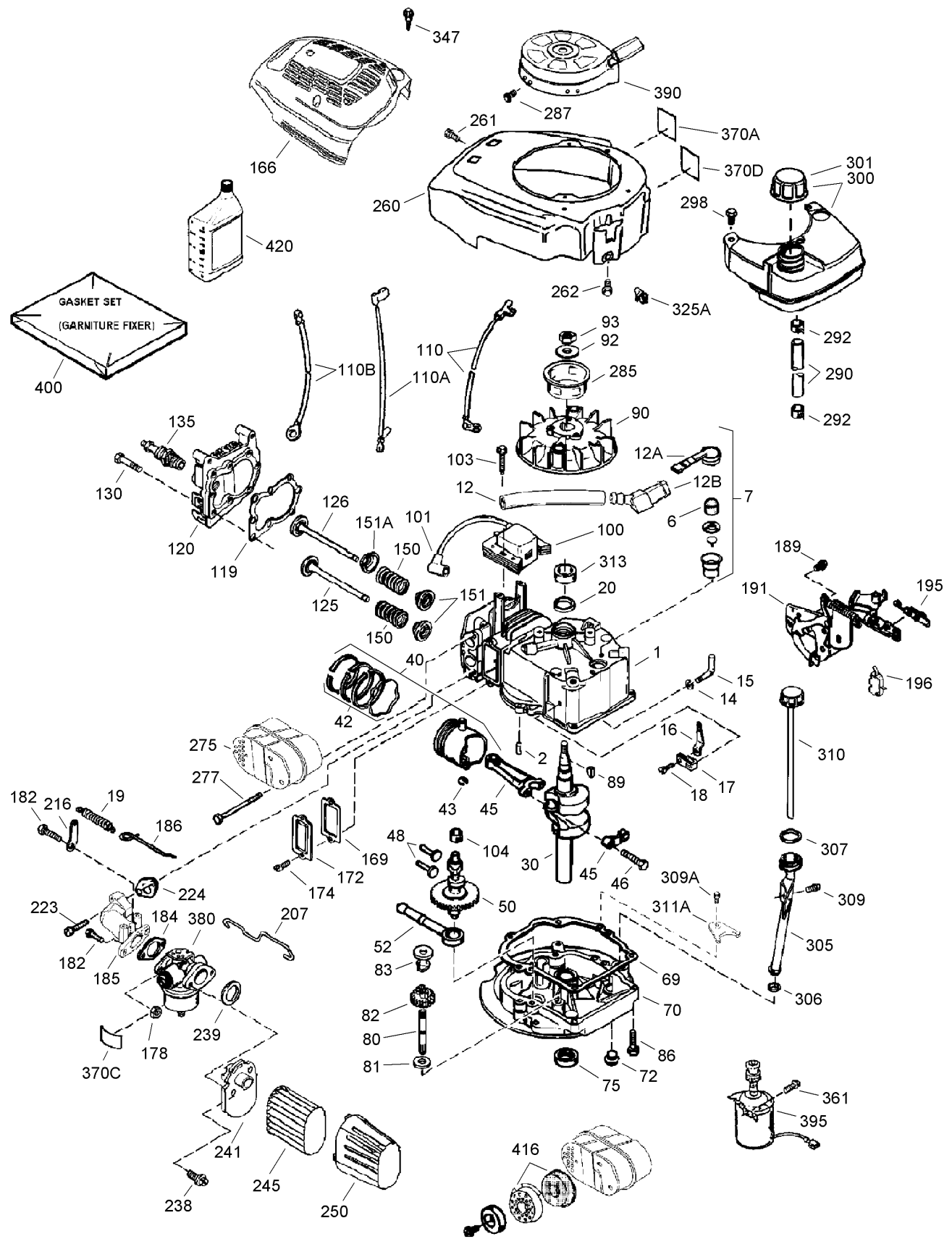
## Carburetor Assembly Tecumseh LV195EA-362004D

Ref	Part No.	Qty.	Description
③0	640303	1	Carburetor ASM (Includes Gasket No. 26756)
③1	631615	1	Throttle Shaft And Lever ASM
③2	631767	1	Spring-Return, Throttle
③④4	631184	1	Washer-Seal, Dust
③④5	631183	1	Seal-Dust
③6	640070	1	Shutter-Throttle
③④7	650506	1	Screw-Shutter
③16	631807	1	Fitting-Fuel
③17	651025	1	Screw-Crack, Throttle (Idle Speed)
③18	630766	1	Spring-Tension
③20	640018	1	Screw-Restrictor, Idle
③④20A	640200	1	Capscrew-Restrictor, Idle
③25	631867	1	Bowl-Float
③④27	631024	1	Shaft-Float
③28	632802	1	Float (Plastic)
③④29	631028	1	O Ring-Bowl, Float
③④30	632807	1	Inlet Needle, Seat, And Clip ASM (Incl. No. 31)
③④31	631022	1	Clip-Spring
③35	640259	1	Primer Bulb / Retainer Ring ASM
③36	640019	1	Tube-Nozzle, Main
③36A	632766	1	Extension-Tube, Bowl Vent
③④37	632547	2	O Ring-Tube, Main Nozzle

Ref	Part No.	Qty.	Description
③40	640087	1	Nut-Bowl, High Speed
③④44	27110A	1	Washer-Nut, Bowl
③④47	630748	1	Welch Plug-Well, Idle Mixture
③④48	631027	2	Welch Plug-Vent, Atmospheric
③60	632809	1	Repair Kit

# Engine Assembly No. 1

## Tecumseh LV195EA-362004D



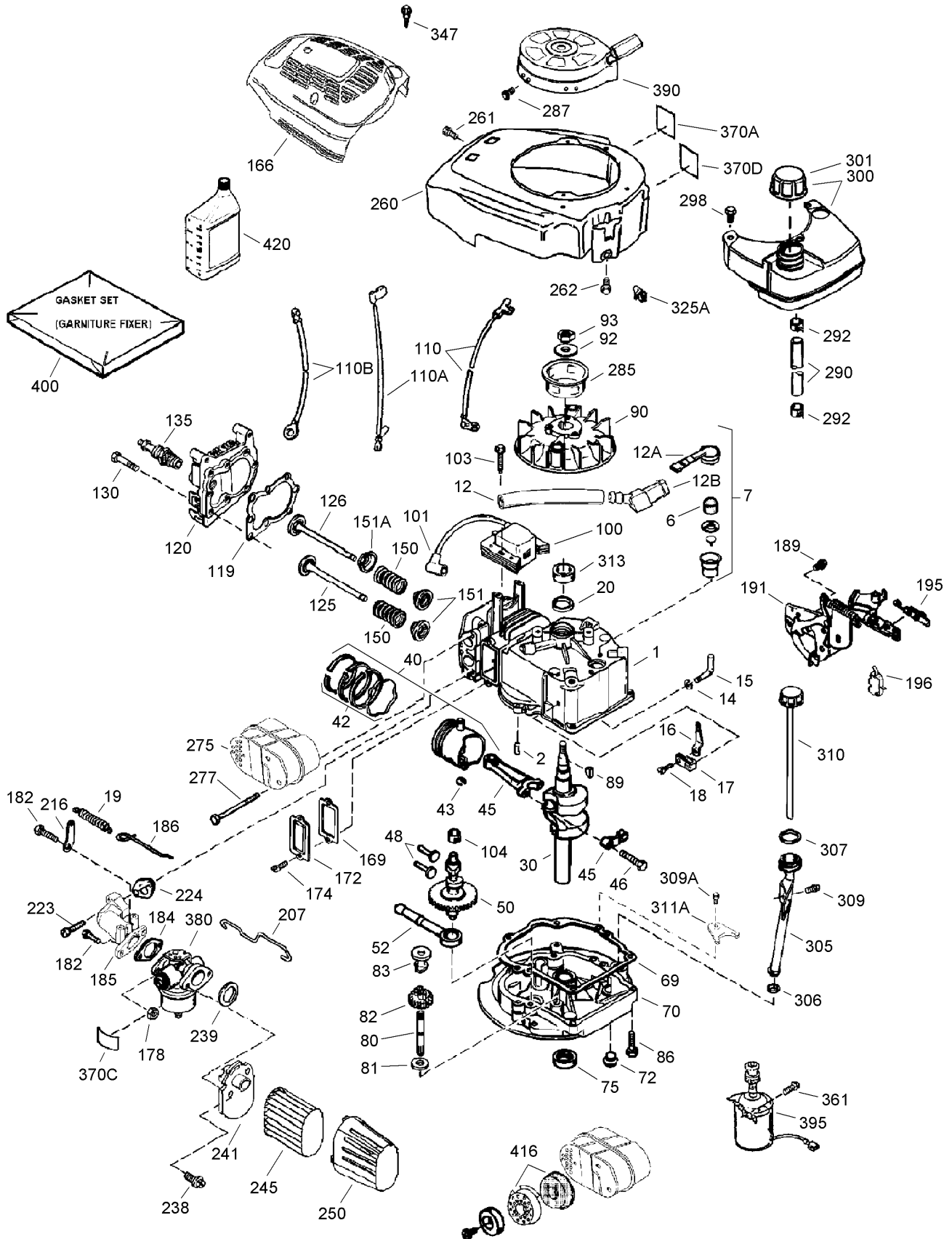
# Engine Assembly No. 1

## Tecumseh LV195EA-362004D

Ref	Part No.	Qty.	Description	Ref	Part No.	Qty.	Description
①1	37465	1	Cylinder ASM (Includes 2, 20 And 150)	①125	36780	1	Exhaust Valve ASM (1/32 Os) (Includes 151)
①2	26727	2	Pin-Dowel	①125	37288	1	Exhaust Valve ASM (STD.) (Includes 151)
①6	33734	1	Element-Breather	①126	37289	1	Valve-Intake (STD.)
①7	36557	1	Breather ASM (Includes 6 And 12A)	①130	6021A	8	Screw (5/16-18 X 1-7/16)
①12	37944	1	Tube-Breather	①135	35395	1	Spark Plug-Resistor (Rj19Lm)
①12A	36558	1	Breather Cover And Tube ASM (Includes 12B)	①150	31672	2	Spring-Valve
①12B	36694	1	Elbow-Tube, Breather	①151	31673	2	Cap-Spring, Valve
①14	28277	1	Washer	①151A	40017	1	Seal-Valve, Intake
①15	30589	1	Governor Rod ASM (Includes 14)	①166	37694	1	Shroud-Engine
①16	34839A	1	Lever-Governor	①169	36783	1	Gasket-Cover, Valve
①17	31335	1	Clamp-Lever, Governor	①172	36784	1	Cover-Valve
①18	651018	1	Screw (T-15, 8-32 X 19/64)	①174	30200	2	Screw (10-24 X 9/16)
①19	36281	1	Spring-Extension	①178	29752	2	Nut And Lock Washer ASM (1/4-28)
①20	32600	1	Seal-Oil	①182	6201	2	Screw (1/4-28 X 7/8)
①30	37692	1	Crankshaft	①184	26756	1	Gasket (Carburetor To Intake Pipe)
①40	40044	1	Piston, Pin And Ring Set (STD.)	①185	37466	1	Pipe-Intake
①40	40045	1	Piston, Pin And Ring Set (.010In Os)	①186	32653	1	Link-Governor
①42	40006	1	Ring Set (STD.)	①189	650839	1	Screw (1/4-20 X 3/8)
①42	40007	1	Ring Set (.010In Os)	①191	36559A	1	Brake Bracket ASM (Includes 195)
①43	20381	2	Ring-Retaining, Piston Pin	①195	610973	1	Terminal
①45	36777	1	Connecting Rod ASM (Includes 46)	①196	35035A	1	Power
①46	32610A	2	Bolt-Rod, Connecting	①207	34336A	1	Link-Throttle
①48	37241	2	Valve	①216	33086	1	Lever-Adjusting, Rpm
①50	37460	1	Camshaft ASM (Exhaust Mcr) (Includes 104)	①223	650451	2	Screw (1/4-20 X 1)
①52	29914	1	Oil Pump ASM	①224	36786	1	Gasket-Pipe, Intake
①569	37609	1	Gasket-Flange, Mounting	①238	650932	2	Screw (10-32 X 49/64)
①70	37608A	1	Mounting Flange ASM (Includes 72-83, 306, 309A And 311A)	①239	34338	1	Gasket-Air Cleaner
①72	37614	1	Plug-Drain, Oil	①241	36919	1	Collar-Air Cleaner
①75	27897	1	Seal-Oil	①245	36905	1	Filter-Air Cleaner
①80	30574A	1	Shaft-Governor	①250	37122	1	Cover-Air Cleaner
①81	30590A	1	Washer	①260	37693A	1	Housing-Blower
①82	30591	1	Governor Gear ASM (Includes 81)	①261	30200	2	Screw (10-24 X 9/16)
①83	30588A	1	Spool-Governor	①262	650831	2	Screw (1/4-20 X 1/2)
①86	650488	6	Screw (1/4-20 X 1-1/4)	①275	37498	1	Muffler
①89	611004	1	Key-Flywheel	①277	650988	2	Screw (1/4-20 X 2-9/32)
①90	37787	1	Flywheel	①285	35000A	1	Cup-Starter
①92	650815	1	Washer-Belleville	①287	650926	2	Screw (8-32 X 21/64)
①93	650816	1	Nut-Flywheel	①290	37962	1	Line-Fuel
①100	34443C	1	Ignition-Solid State	①292	26460	2	Clamp-Line, Fuel
①101	610118	1	Cover-Spark Plug	①298	28763	2	Screw (10-32 X 35/64)
①103	651007	2	Screw (T-15, 10-24 X 15/16)	①300	37947	1	Fuel Tank ASM (Includes 292 And 301)
①104	37480	1	Bushing-Cam	①301	37844	1	Fuel Cap ASM
①110	37047	1	Wire-Ground	①305	35647A	1	Tube-Fill, Oil
①110A	36953	1	Wire ASM	①306	37610	1	O-Ring
①110B	36954	1	Wire ASM	①307	35499	1	O-Ring
①119	37796	1	Gasket-Head, Cylinder	①309	650562	1	Screw (10-32 X 1/2)
①120	37714	1	Head-Cylinder	①309A	650783	1	Screw (10-24 X 3/4)

# Engine Assembly No. 2

## Tecumseh LV195EA-362004D



## Engine Assembly No. 2 Tecumseh LV195EA-362004D

Ref	Part No.	Qty.	Description				
3310	35648	1	Dipstick				
3311A	37611	1	Bracket-Holddown				
3313	34080	1	Spacer				
3325A	35249	1	Clip-Actuator, Brake Switch				
3347	650898A	4	Screw (10-32 X 27/32)				
3361	650831	2	Screw (1/4-20 X 1/2)				
3370A	36261	2	Decal-Lubrication				
3370C	37695	1	Decal-Primer				
3370D	35977	1	Decal-Warning				
3380	640303	1	Carburetor ASM (Includes 184)				
3390	590739	1	Rewind Starter ASM (Note: This Engine May Have Been Built With 590702 Starter)				
3395	37753	1	12-Volt Electric Starter Motor ASM				
3400	37613	1	Gasket Set				
3416	37530	1	Spark Arrestor Kit				
3420	730225A	1	Oil-Engine, Sae 30 (4-Cycle)				







## NOTES

