

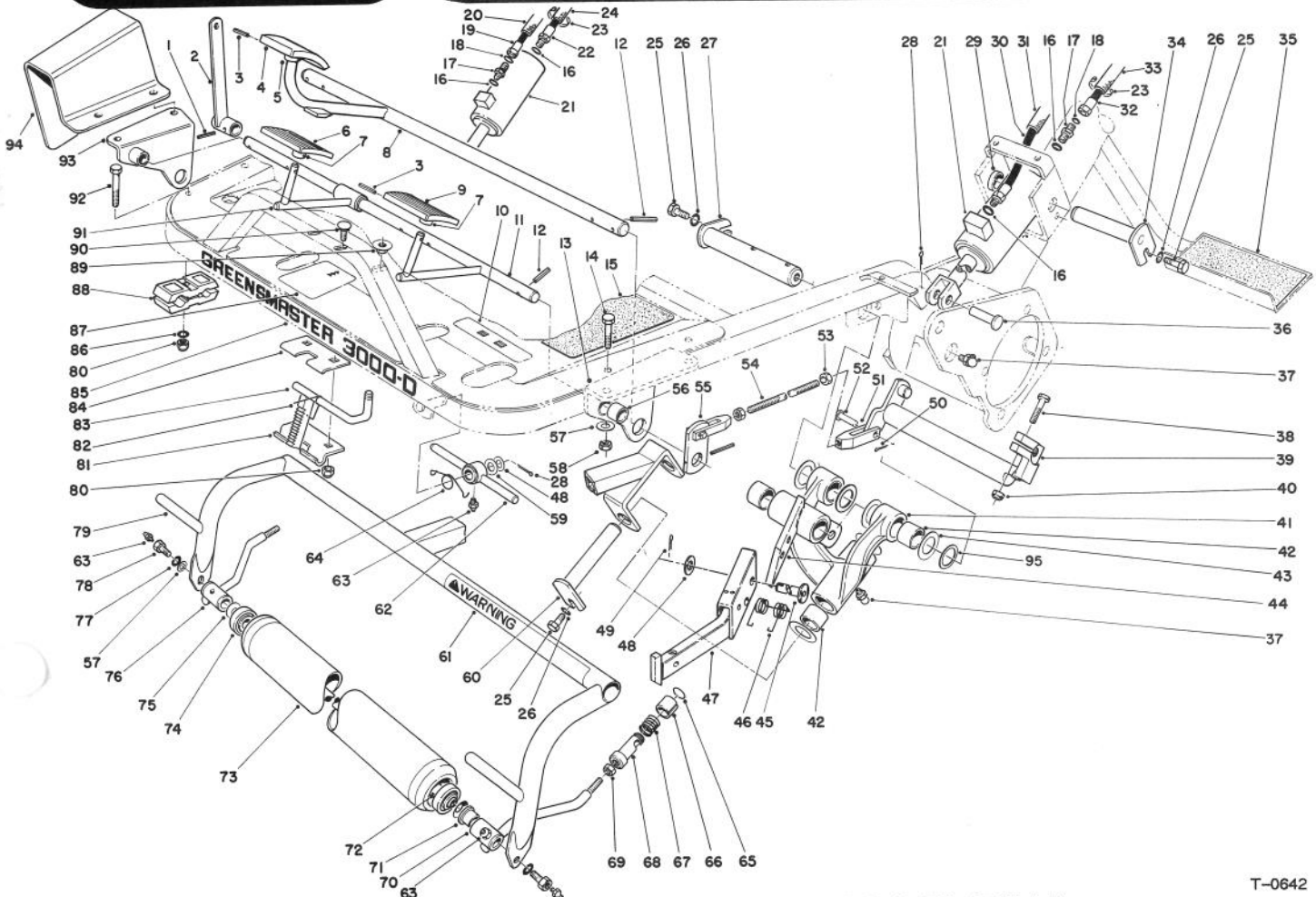


04375

MODEL NO. 03475-90001 & UP
 MODEL NO. 04405-90001 & UP
 MODEL NO. 04408-90001 & UP
 MODEL NO. 04450-90001 & UP
 MODEL NO. 04468-90001 & UP

**PARTS
 CATALOG**

GREENSMASTER® 3000D

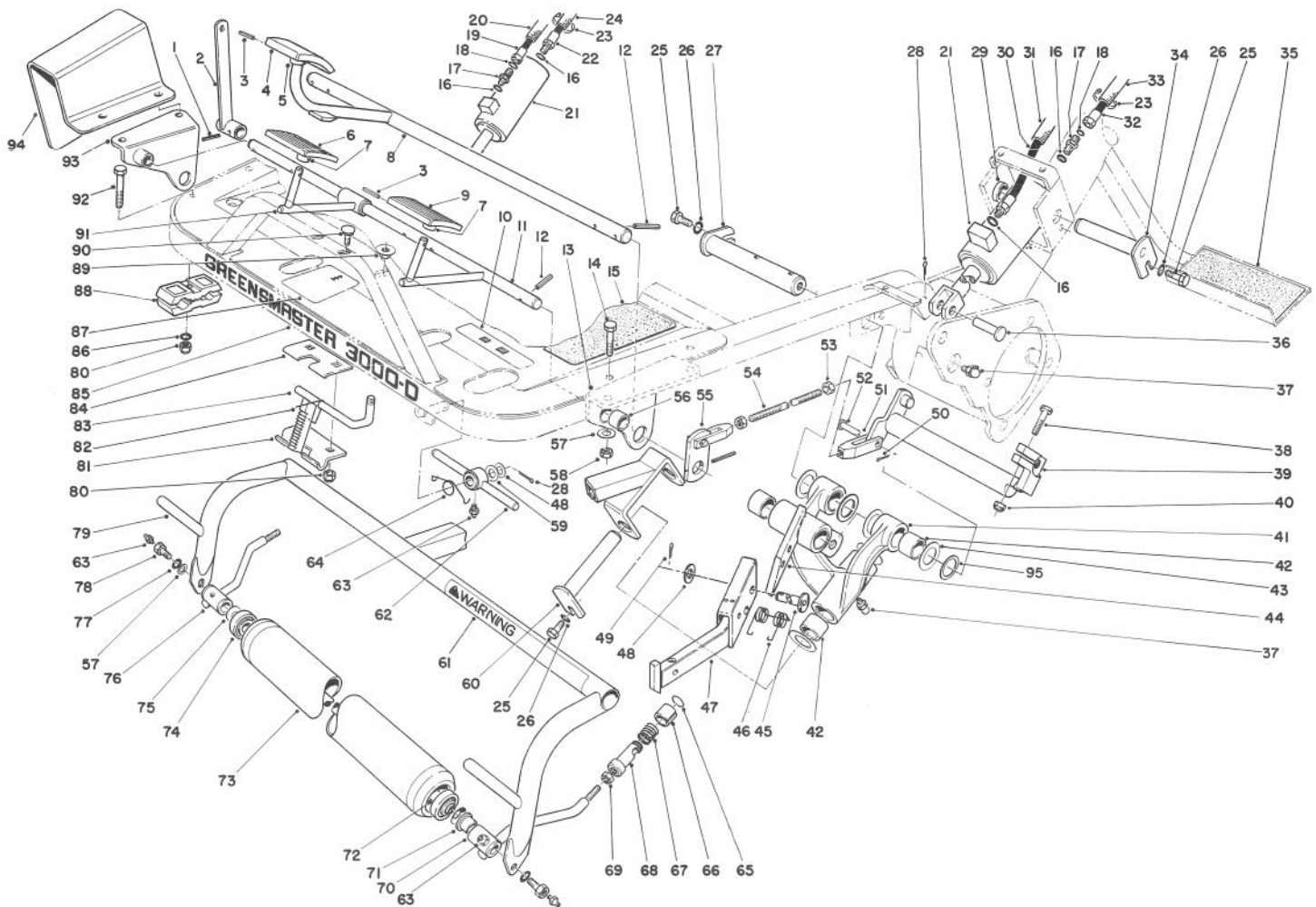


T-0642

FOOT PEDALS & ROLLER ASSEMBLY

Ref. No.	Part No.	Description	No. Used
1	3121-6	Pin - Roll	1
2	49-6200	Lever - Cutting Control	1
3	32121-45	Pin - Roll	3
4	49-6170	Pad - Brake Pedal	1
5	49-6150	Pedal - Brake	1
6	10-8250	Pad - Mow Pedal	1
7	10-6540	Pedal - Foot	2
8	49-6130	Shaft - Brake	1
9	10-8240	Pad - Lift	1
10	51-0050	Decal - Mow/Lift	1
11	49-6180	Shaft - Cutting Control	1
12	32121-35	Pin - Roll	8
13	49-6090	Lift Pivot Bracket L.H. (Incl. Ref. #56)	1
14	323-10	Screw - Cap Hex. Hd.	4
15	49-6120	Pad - Footrest	1
16	237-78	Seal - O-Ring	4

Ref. No.	Part No.	Description	No. Used
17	340-92	Fitting - Hydraulic Straight (Incl. Ref. #16 & 18)	2
18	237-21	Seal - O-Ring	2
19	63-3950	Hose - Hydraulic	1
20	70-8444	Sleeve - Protective	1
21	63-9500	Front Hydraulic Lift Cylinder	2
22	63-3880	Hose - Hydraulic	1
23	3290-378	Tie - Cable	8
24	70-8443	Sleeve - Protective	1
25	322-1	Screw - Cap Hex. Hd.	5
26	3253-4	Washer - Lock	5
27	10-6110	Pin - Hinge	2
28	3272-11	Pin - Cotter	3
29	46-6350	Spacer - Cylinder	2
30	68-5720	Hose - Hydraulic	1
31	70-8441	Sleeve - Protective	1
32	68-5730	Hose - Hydraulic	1

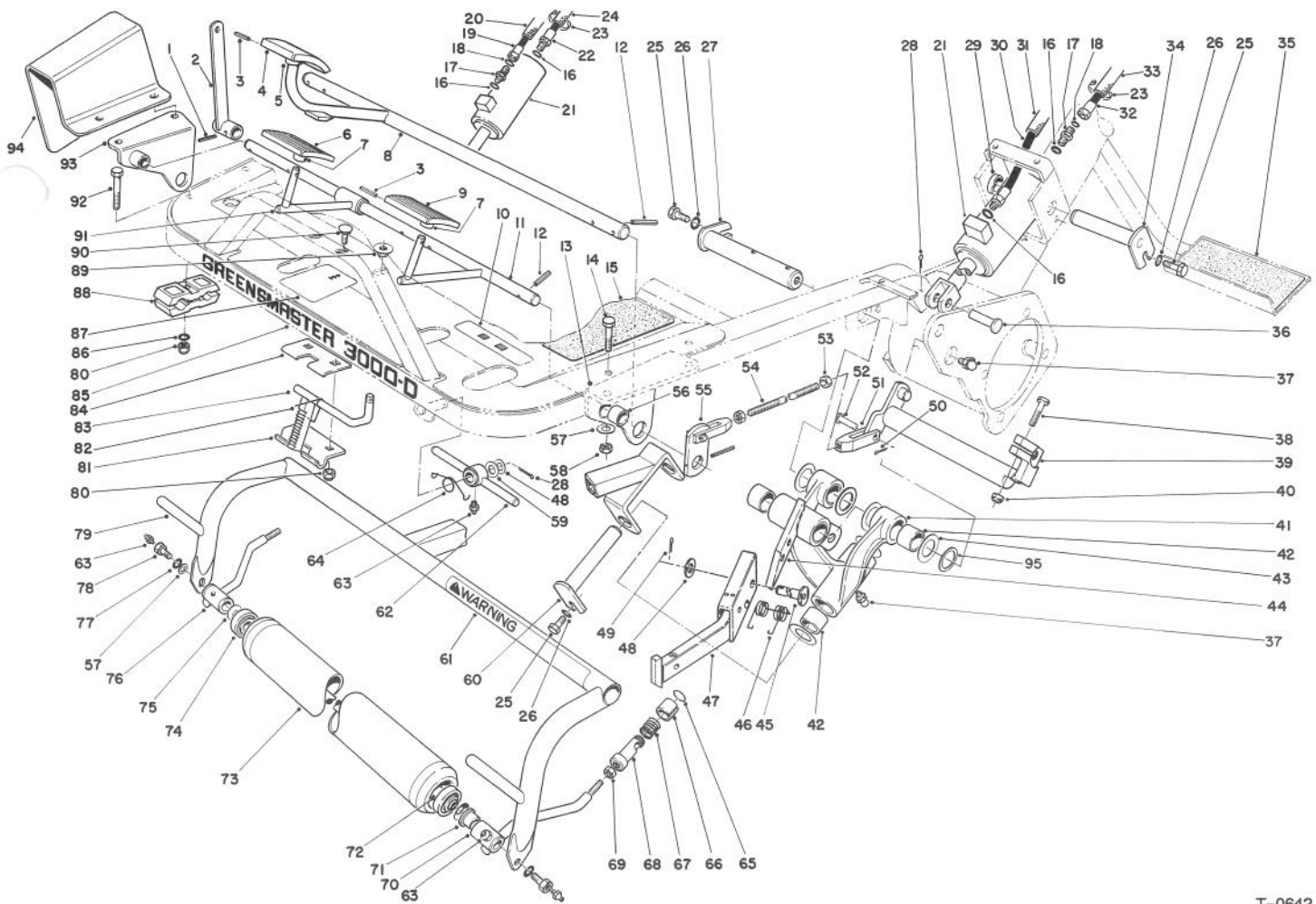


T-0642

FOOT PEDALS & ROLLER ASSEMBLY (Continued)

Ref. No.	Part No.	Description	No. Used
33	70-8440	Sleeve - Protective	1
34	10-6060	Pin - Cylinder Pivot	2
35	62-2660	Pad - Step	1
36	283-8	Pin - Clevis	2
37	302-60	Fitting - Grease	4
38	322-6	Screw - Cap Hex. Hd.	1
39	52-5540	Arm - Brake L.H.	1
40	3296-29	Nut - Lock	1
41	10-7820	Pivot Hinge Assembly (Incl. Ref. #42)	1
42	3-0348	Bushing - Sleeve	6
43	10-8110	Washer - Thrust	6
44	62-2460	Lift Arm Assembly L.H. (Incl. Ref. #42)	1
45	63-8750	Pin - Pivot	1
46	57-7650	Spring - Torsion	1
47	62-2390	Bar - Lift L.H.	1
48	3256-26	Washer - Flat	2
49	3272-12	Pin - Cotter	1
50	3272-6	Pin - Cotter	4
51	282-2	Yoke	4
52	283-1	Pin - Clevis	4
53	3220-2	Nut - Jam	4
54	27-2270	Rod - Brake Adjustment	2
55	10-8100	Strap - Brake Shaft	2
56	256-32	Bushing - Sleeve	2
57	3256-24	Washer - Flat	10

Ref. No.	Part No.	Description	No. Used
58	3296-59	Nut - Hex. Lock	4
59	3290-221	Washer - Spring	1
60	10-6090	Pin - Pivot	1
61	27-2890	Decal - Warning	1
62	12-9050	Pivot - Lift	1
63	302-5	Fitting - Grease	13
64	10-9090	Spring - Torsion	1
65		Ring - Retaining	6
66		Sleeve	6
67		Spring	6
68	8-7710	Ball Joint Receiver Assembly (Incl. Ref. #65-67)	6
69	3220-3	Nut - Jam	6
70	52-2740	Pull Arm Assembly L.H. (Incl. Ref. #71)	3
71	3-1506	Bushing - Flange	12
72	21-8470	Shaft - Yoke Roller	3
73	52-2720	Roller Assembly (Incl. Ref. #74)	3
74	251-141	Bearing - Ball	6
75	3290-317	Washer - Spring	6
76	52-2750	Pull Arm Assembly R.H. (Incl. Ref. #71)	3
77	3253-21	Washer - Lock	8
78	11-0160	Roller - Shaft Screw Assy. (Incl. Ref. #63)	6

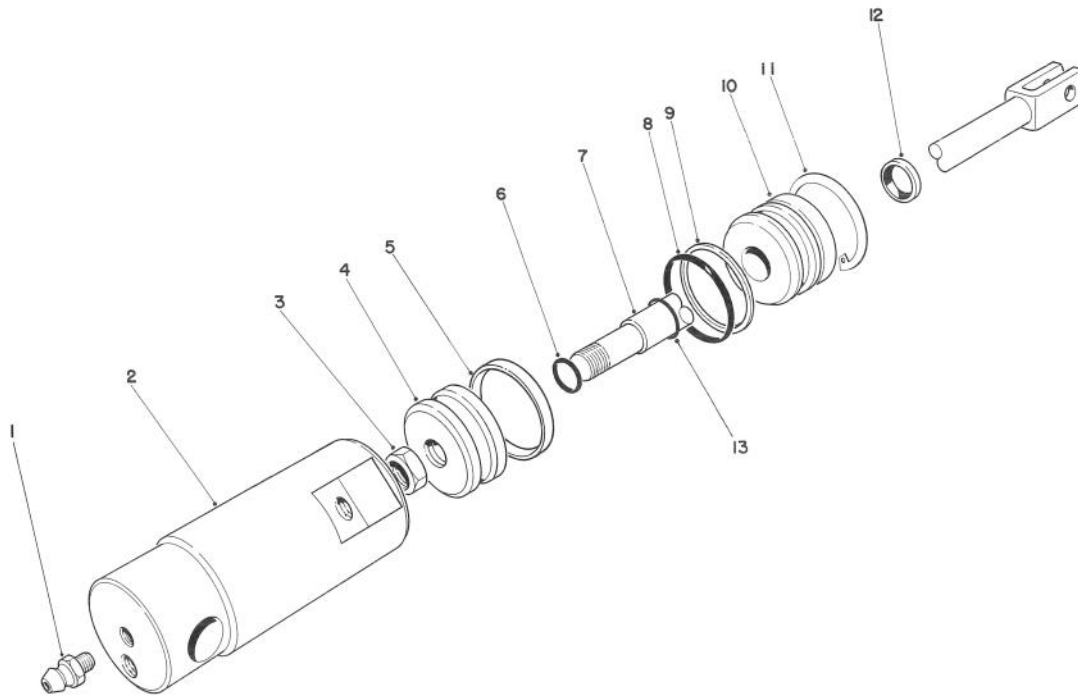


T-0642

FOOT PEDALS & ROLLER ASSEMBLY (Continued)

Ref. No.	Part No.	Description	No. Used
79	47-5970	Frame - Pull L.H.	1
80	3296-16	Nut - Lock	3
81	10-7890	Lower Hinge - Park Brake	1
82	10-8140	Spring - Brake Latch	1
83	10-7850	Latch - Parking Brake	1
84	10-7880	Upper Hinge - Park Brake	1
85	68-5360	Decal - Greensmaster®	1
86	3256-3	Washer - Flat	1
87	27-2830	Decal - Parking Brake	1

Ref. No.	Part No.	Description	No. Used
88	56-7970	Clamp - Tube	2
89	32141-111	Nut - Flange Lock	1
90	3229-22	Bolt - Carriage	2
91	10-6300	Pedal - Foot	1
92	321-23	Screw - Cap Hex. Hd.	1
93	49-6070	Lift Pivot Bracket R.H. (Incl. Ref. #56)	1
94	49-6110	Guard - Transfer Rod	1
95	5-1226	Washer - Shim	1



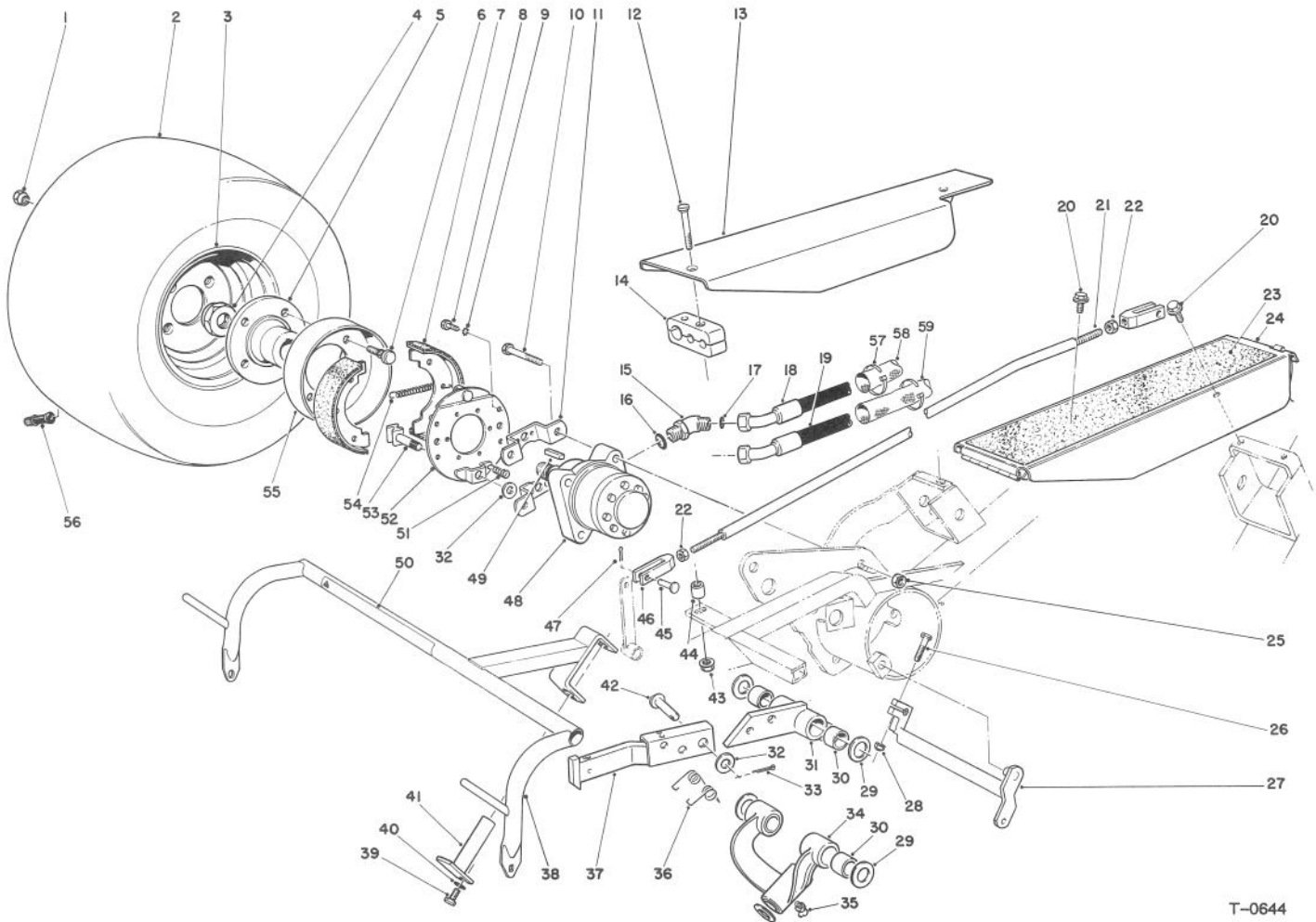
T-0292

FRONT HYDRAULIC LIFT CYLINDER NO. 63-9500

Ref. No.	Part No.	Description	No. Used
1	302-2	Fitting - Grease	2
2		Barrel Assembly	1
3	32152-10	Nut - Lock	1
4	52-1990	Piston	1
5		Uniring	1
6		Seal - O-Ring	1
7	52-1980	Shaft/Clevis	1
8		Seal - O-Ring	1

Ref. No.	Part No.	Description	No. Used
9		Washer - Back Up	1
10	65-4860	Head	1
11	32120-8	Ring - Retaining	1
12		Seal - Dust	1
13		Seal - Polypak	1
*	65-2980	Seal Repair Kit (Incl. Ref. #5, 6, 8, 9 & 12-13)	1

*Not Illustrated



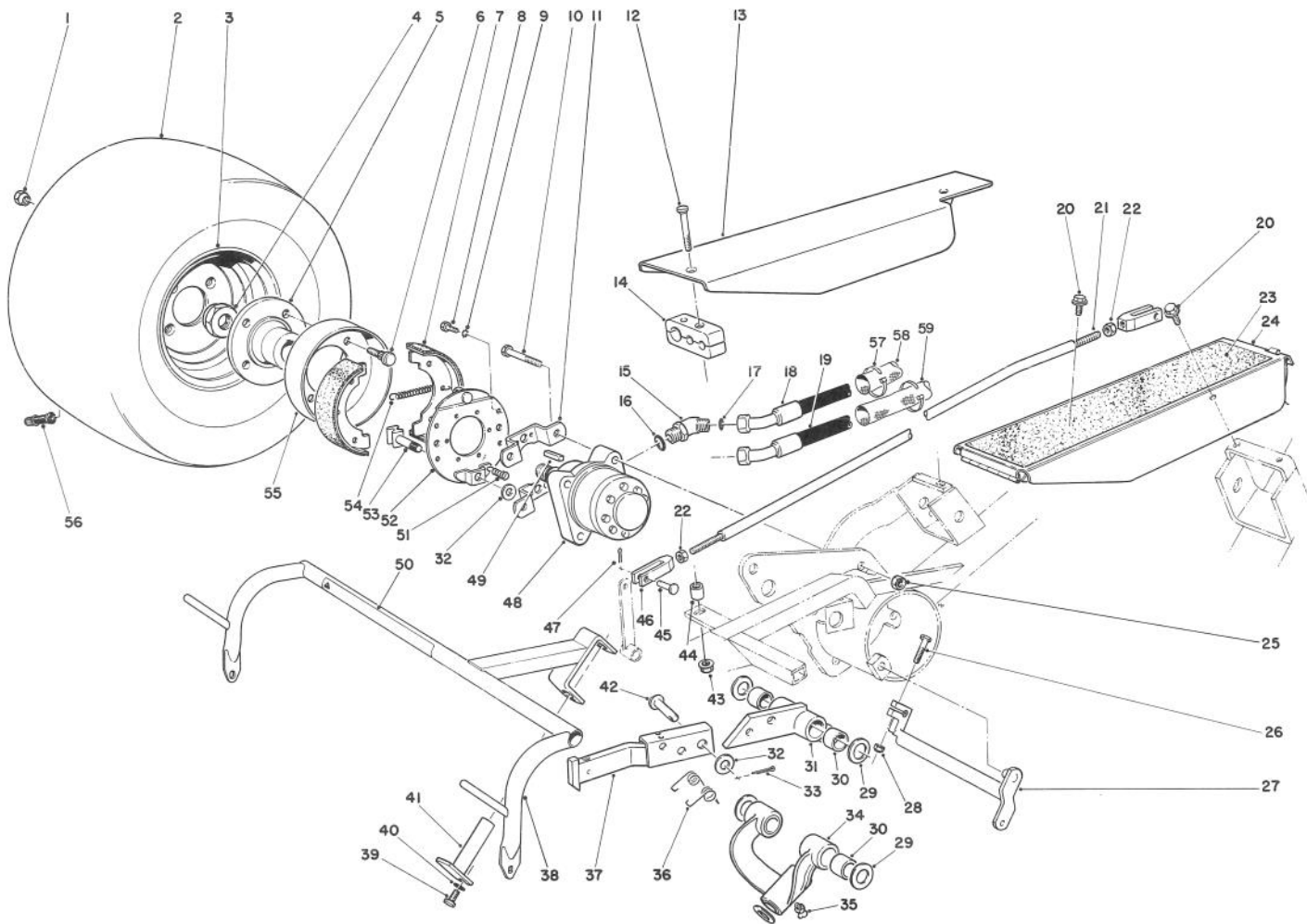
T-0644

WHEEL & BRAKE ASSEMBLY

Ref. No.	Part No.	Description	No. Used
1	242-50	Nut - Wheel	8
2	28-3680	Tire - Smooth	2
*	231-124	Tire - Treaded (Optional)	2
*	232-37	Tube - Inner (Optional)	2
*	62-2580	Spacer (Optional) (For use with 231-124)	2
3	217-60	Rim	2
4	26-3790	Nut - Lock Slotted	2
5	10-6870	Hub - Wheel	2
6	10-6830	Stud - Drive	8
7	215-73	Brake Shoe & Lining Assy.	4
8	329-3	Screw - Cap Hex. Hd.	8
9	3255-7	Washer - Lock	8
10	325-11	Screw - Cap Hex. Hd.	8
11	10-8000	Bracket - Brake	4
12	32108-100	Screw - Flat Hd.	3
13	49-5450	Plate - Cover	1
14	57-6140	Clamp - Tube Side	4
15	340-14	Fitting - Hydraulic 45° Elbow (Incl. Ref. #16 & 17)	4
16	237-80	Seal - O-Ring	4
17	237-65	Seal - O-Ring	4
18	70-8600	Hose - Hydraulic R.H.	1
*	70-8610	Hose - Hydraulic L.H.	1
19	70-7170	Hose - Hydraulic R.H.	1
*	70-7150	Hose - Hydraulic L.H.	1

Ref. No.	Part No.	Description	No. Used
20	3234-13	Screw - Hex. Flange Hd.	4
21	49-5430	Rod - Control	1
22	3220-2	Nut - Jam	2
23	10-8220	Pad - Tool Box	1
24	49-5410	Box - Tool	1
25	3296-23	Nut - Lock	8
26	322-6	Screw - Cap Hex. Hd.	1
27	52-5510	Arm - Brake R.H.	1
28	3296-29	Nut - Lock	1
29	10-8110	Washer - Thrust	6
30	3-0348	Bushing - Sleeve	6
31	62-2440	Lift Arm Assembly R.H. (Incl. Ref. #30)	1
35	302-60	Fitting - Grease	1
36	57-7650	Spring - Torsion	1
37	62-2420	Bar - Lift Arm R.H.	1
38	47-5960	Frame - Pull R.H.	1
39	322-1	Screw - Cap Hex. Hd.	1
40	3253-4	Washer - Lock	1
41	10-6090	Pin - Pivot	1
42	63-8750	Pin - Pivot	1
43	3296-16	Nut - Flange Lock	3
44	22-7810	Spacer	1
45	283-1	Pin - Clevis	2
46	282-2	Yoke	2
47	3272-6	Pin - Cotter	2

*Not Illustrated

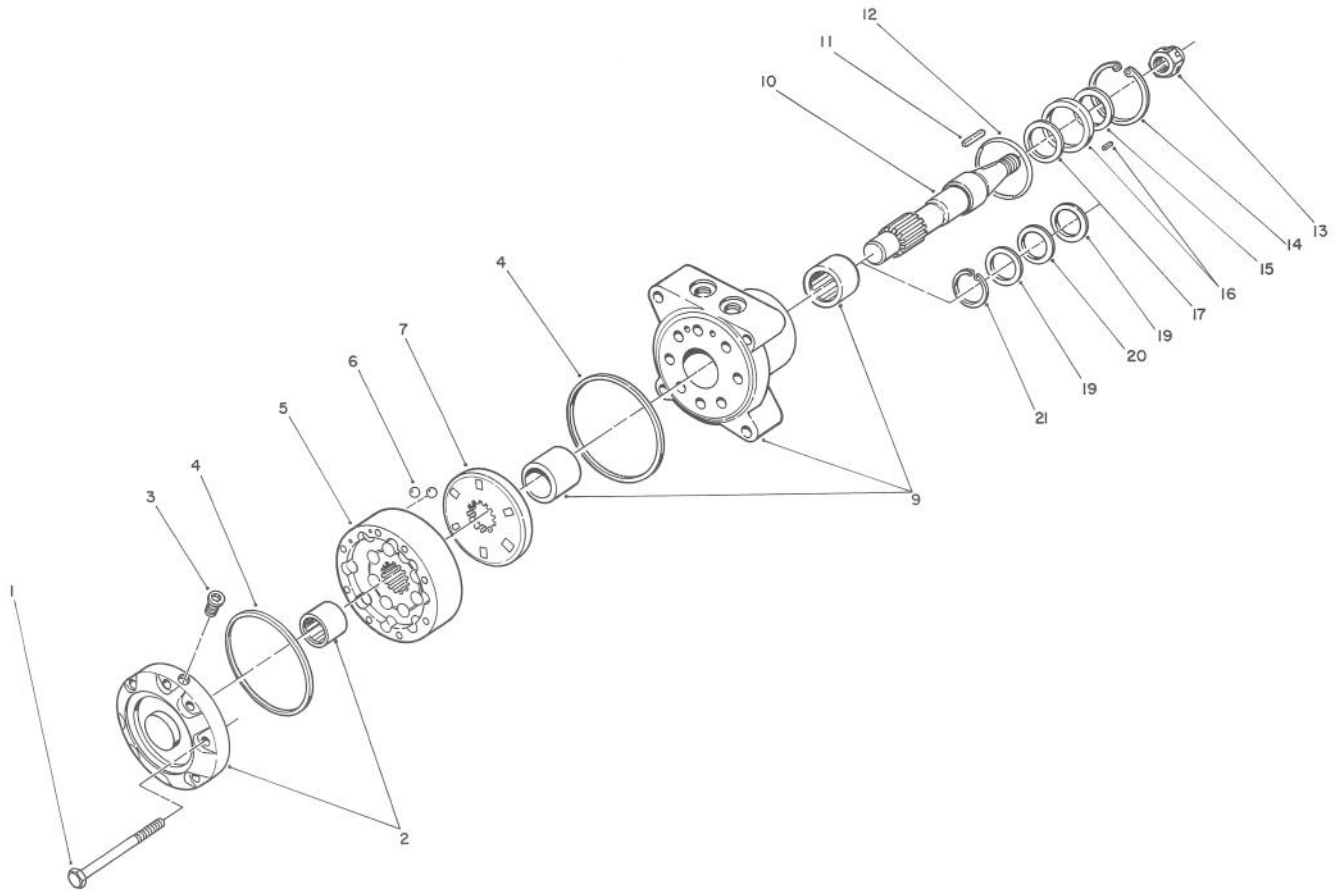


T-0644

WHEEL & BRAKE ASSEMBLY (Continued)

Ref. No.	Part No.	Description	No. Used
48	66-5292	Motor - Hydraulic (Incl. Ref. #49)	2
49	65-4640	Key - Square	2
50	27-2890	Decal - Warning	1
51	215-75	Spring - Extension	4
52	3-6944	Plate - Brake Support	2
53	215-74	Cam - Brake	2
54	215-76	Spring - Extension	4

Ref. No.	Part No.	Description	No. Used
55	10-6820	Brake Drum Assembly (Incl. Ref. #5 & 6)	2
56	232-24	Valve Stem & Cap	2
57	3290-378	Tie - Cable	8
58	70-8591	Sleeve - Protective	2
59	70-8590	Sleeve - Protective R.H.	1
*	70-8592	Sleeve - Protective L.H.	1



T-0274

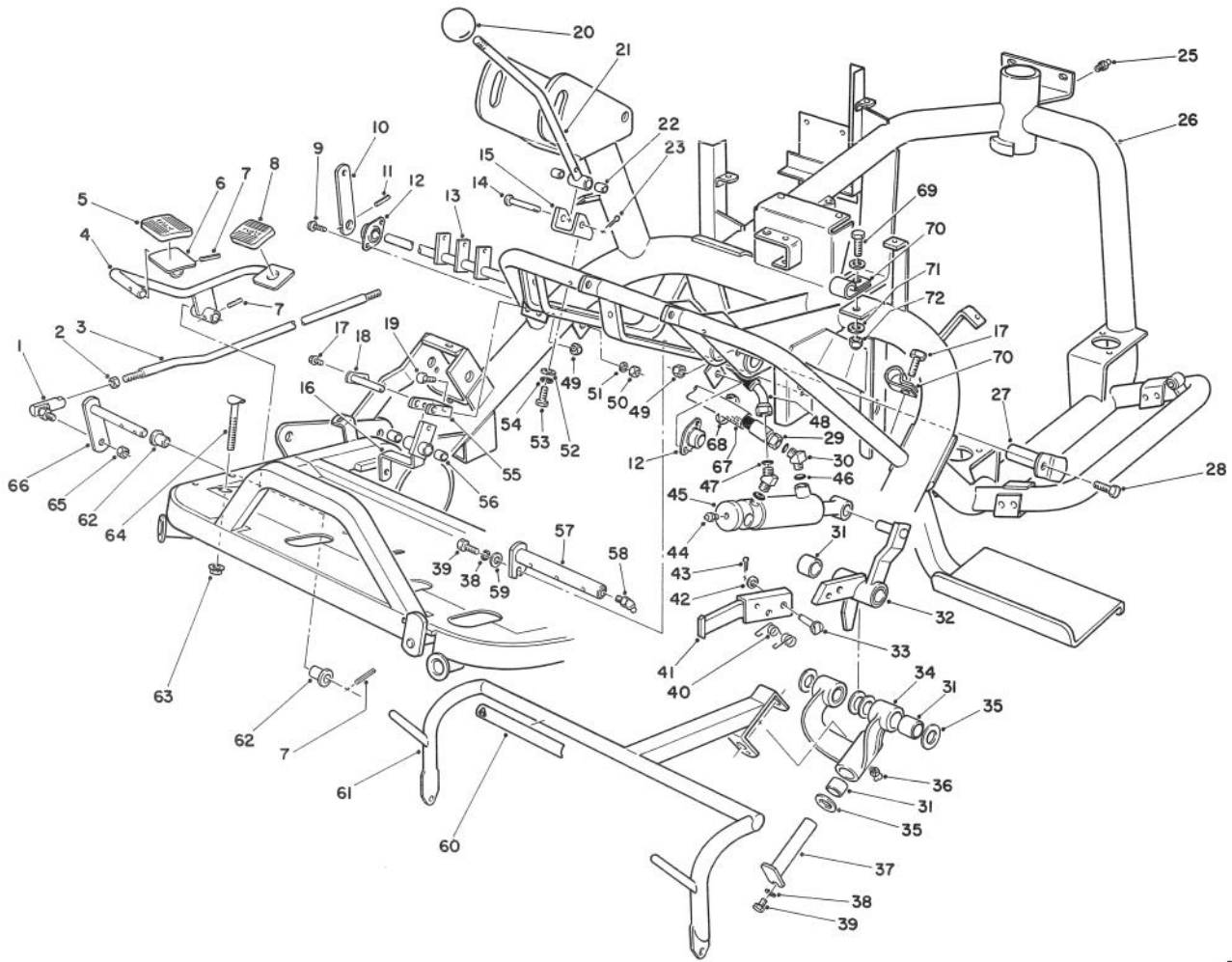
HYDRAULIC DRIVE MOTOR NO. 66-5292

Ref. No.	Part No.	Description	No. Used
1	70-8160	Screw - Cap Hex. Hd.	8
2	70-8310	Cover & Bearing Assembly	1
3	65-4560	Plug - Hex. (Hollow)	1
4	65-4570	Seal - Square Ring	2
5	70-8180	IGR Assembly	1
6	65-4550	Valve - Check Ball	2
7	70-8150	Plate - Valve	1
9	70-8140	Body & Bearing Assembly	1
10	70-8190	Shaft	1
11	65-4640	Key - Square	1
12	65-4620	Seal - O-Ring	1
13	65-4650	Nut - Slotted	1

Ref. No.	Part No.	Description	No. Used
14	65-4500	Seal - Snap Ring	1
†15		Seal - Dust	1
†16		Retainer/Pin	1
†17		Seal - Lip	1
*	65-4690	Seal/Retainer Assembly (Incl. Ref. #15-17)	1
19	65-4600	Washer - Thrust	2
20	65-4610	Bearing - Thrust	1
21	70-8170	Ring - Snap	1
*	65-4700	Body Seal Kit (Incl. Ref. #4, 12 & 15-17)	1

*Not Illustrated

†Not available from Toro as a replacement part.

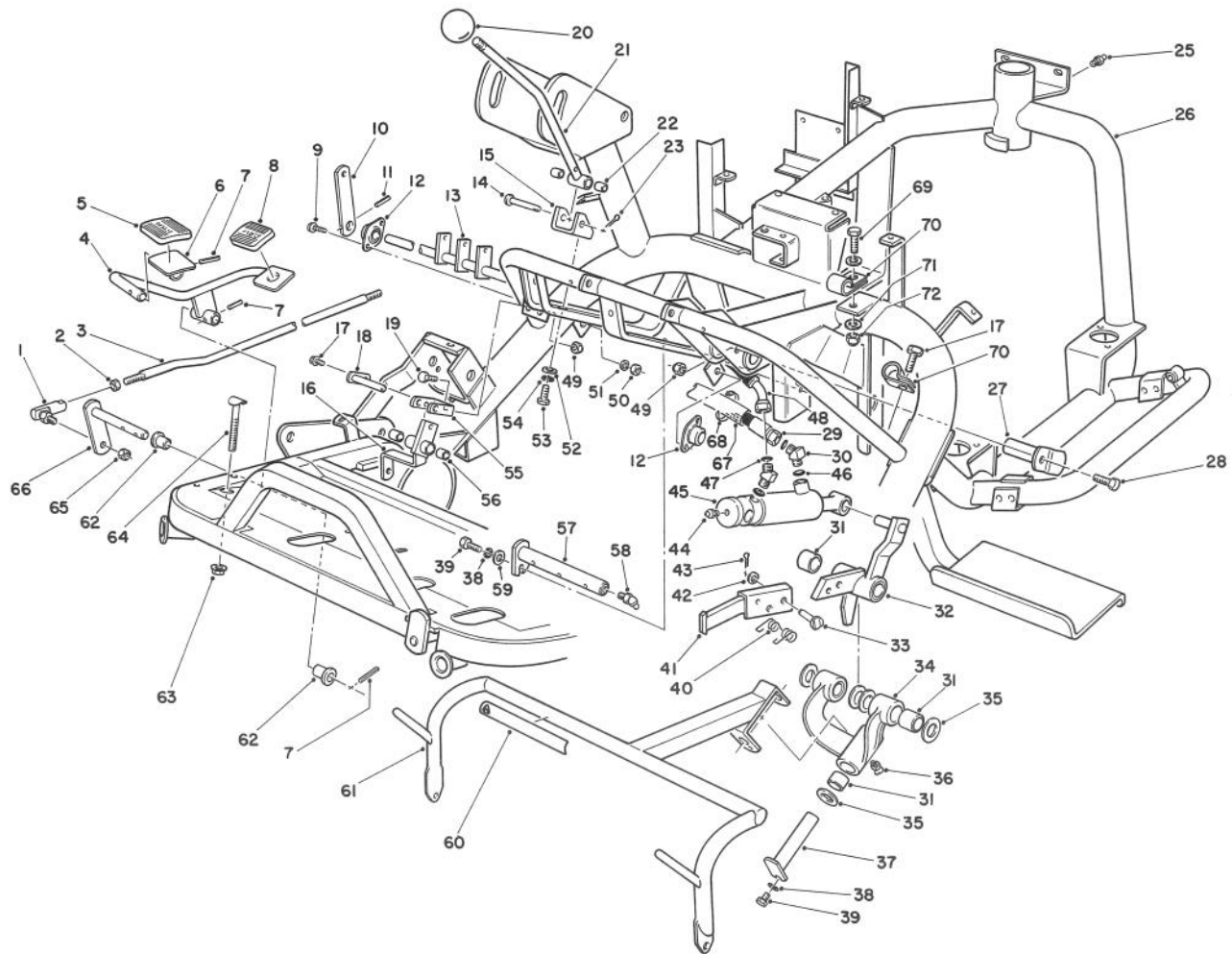


T-0641

FRAME ASSEMBLY

Ref. No.	Part No.	Description	No. Used
1	2411-32	Joint - Ball	2
2	3220-2	Nut - Jam	2
3	49-6320	Rod - Traction Control	1
4	49-6380	Rod - Accelerator	1
5	49-6470	Pad - Forward Pedal	1
6	49-6440	Pedal - Forward	1
7	32121-45	Pin - Roll	3
8	49-6430	Pad - Reverse Pedal	1
9	3234-1	Screw - Hex.Flange Hd.	4
10	47-5320	Lever - Cutting Control	1
11	32121-6	Pin - Roll	1
12	27-2320	Bearing - Side Flange	2
13	44-0870	Camshaft - Rear	1
14	283-57	Pin - Clevis	1
15	49-6220	Bracket - Control Arm	1
16	49-6260	Traction Pivot Tube Assy. (Incl. Ref. #56)	1
17	12-3270	Screw - Hex. Flange Hd.	2
18	49-6290	Shaft - Traction Pivot	1
19	322-5	Screw - Cap Hex. Hd.	2
20	233-48	Knob	1
21	68-5930	Traction Handle Assembly (Incl Ref. #22)	1
22	256-251	Bushing - Sleeve	2
23	3272-4	Pin - Cotter	1
25	302-5	Fitting - Grease	1

Ref. No.	Part No.	Description	No. Used
26	68-4400	Frame Assembly (Incl. Ref. #25 & 62)	1
27	68-5560	Pin - Cylinder	1
28	322-3	Screw - Cap Hex. Hd.	1
29	68-5830	Hose - Hydraulic	1
30	340-103	Fitting - Hydraulic 45° Elbow (Incl. Ref. #46 & 47)	2
31	3-0348	Bushing - Sleeve	6
32	68-5380	Center Lift Arm Assembly (Incl. Ref. #31)	1
33	63-8750	Pin - Pivot	1
34	10-7820	Pivot Hinge Assembly (Incl. Ref. #31)	1
35	10-8110	Washer - Thrust	6
36	302-60	Fitting - Grease	1
37	10-6090	Pin - Pivot	1
38	3253-4	Washer - Lock	2
39	322-1	Screw - Cap Hex. Hd.	2
40	57-7650	Spring - Torsion	1
41	62-2420	Bar - Lift Arm	1
42	3256-26	Washer - Flat	1
43	3272-11	Pin - Cotter	1
44	302-2	Fitting - Grease	1
45	68-5700	Rear Lift Cylinder Assembly	1
46	237-78	Seal - O-Ring	2



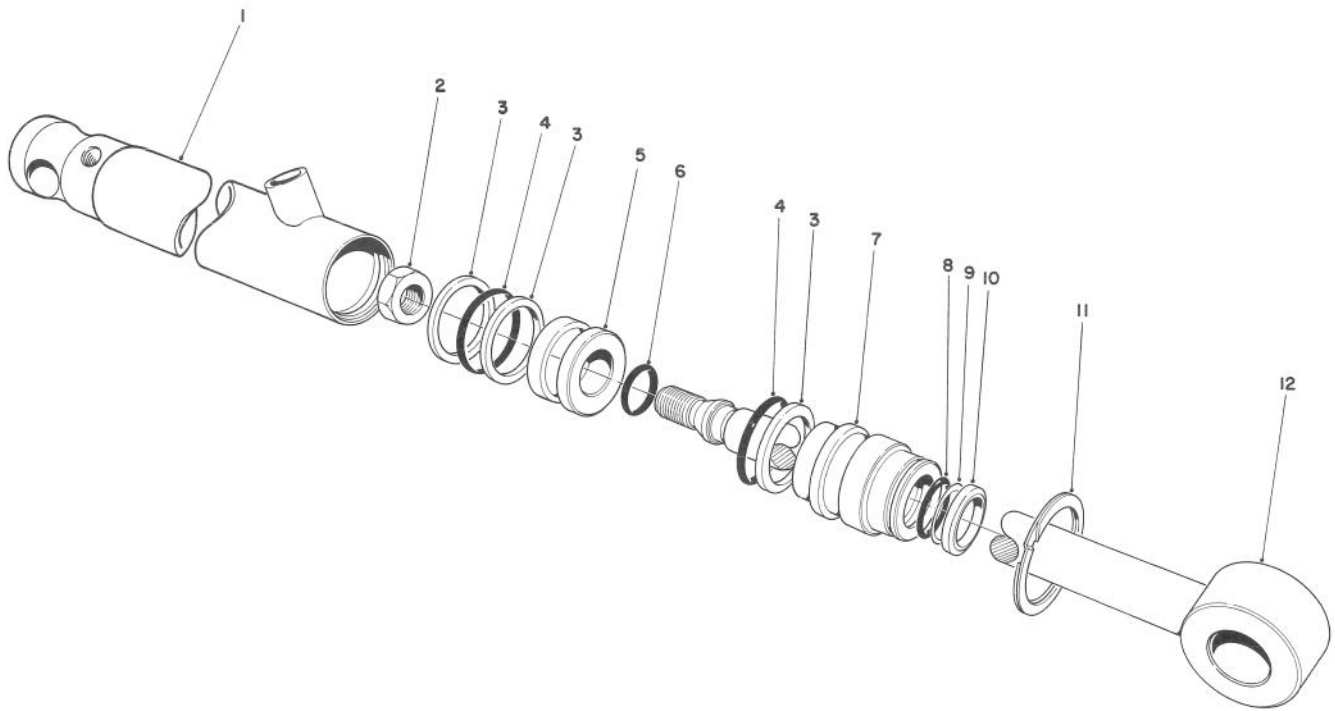
T-0641

FRAME ASSEMBLY (Continued)

Ref. No.	Part No.	Description	No. Used
47	237-35	Seal - O-Ring	2
48	68-5780	Hose - Hydraulic	1
49	3296-29	Nut - Lock	3
50	3296-59	Nut - Lock	4
51	3256-24	Washer - Flat	4
52	3256-3	Washer - Flat	2
53	3211-1	Screw - Cap Hex> Hd	2
54	3254-6	Washer - Lock	2
55	49-6250	Bracket - Traction Pivot	1
56	256-2	Bushing - Sleeve	2
57	27-2550	Pin - Hinge	1
58	302-11	Fitting - Grease	1
59	3256-23	Washer - Flat	1
60	27-2890	Decal - Warning	1
61	47-5960	Rear Pull Frame Assembly	1

Ref. No.	Part No.	Description	No. Used
62	256-155	Bushing - Flange	2
63	32128-20	Nut - Flange Lock	1
64	17-9420	Screw - Accelerator Stop	1
65	3296-4	Nut - Lock	2
66	49-6350	Shaft - Traction	1
67	70-8442	Sleeve - Protective (Rod End)	1
*	70-8447	Sleeve - Protective (Cap End)	1
68	3290-378	Tie - Cable	4
69	321-3	Screw - Cap Hex. Hd.	1
70	2412-41	Clamp - R	2
71	3256-1	Washer - Flat	2
72	3296-16	Nut - Lock	1

*Not Illustrated



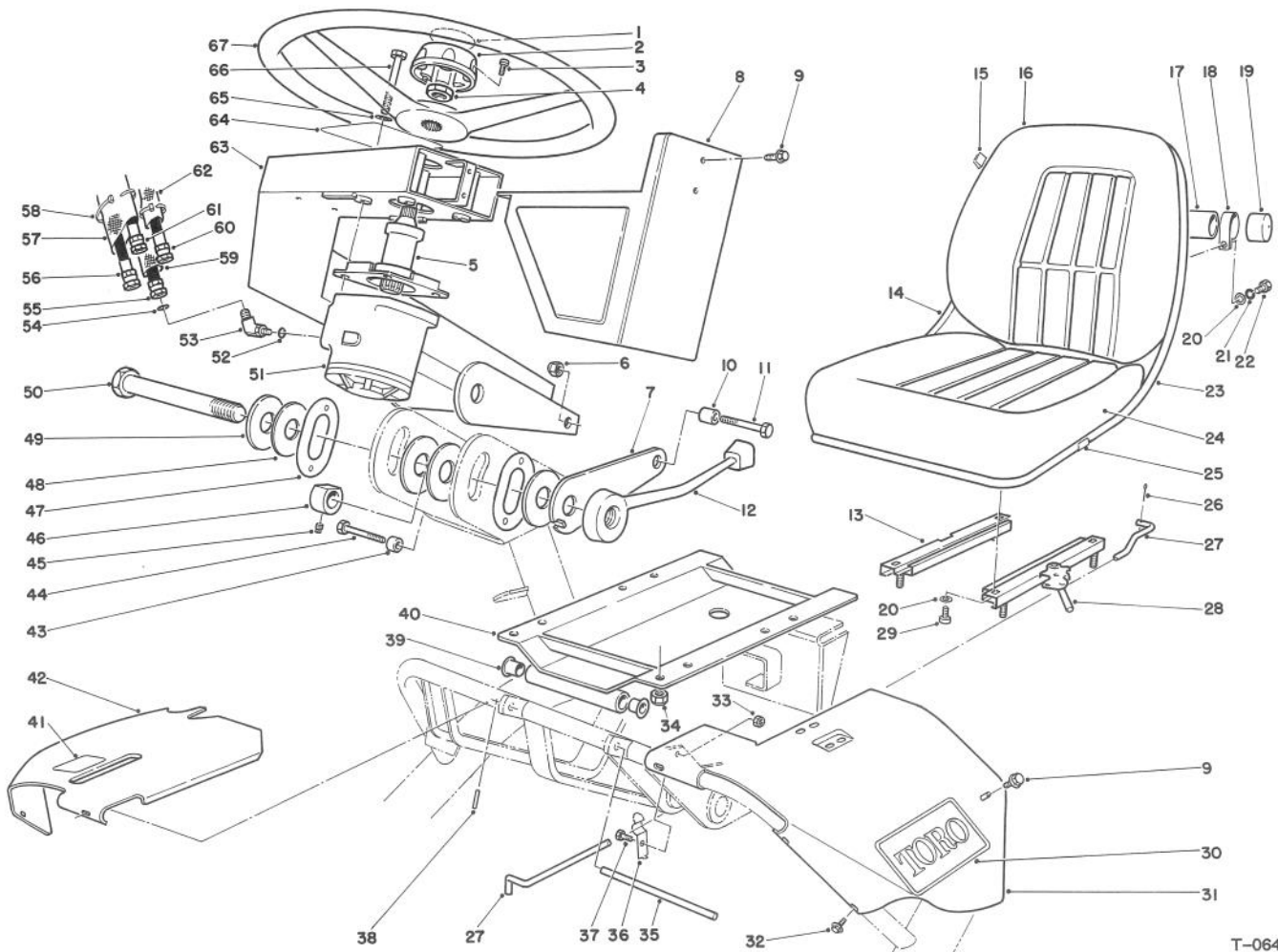
T-0640

REAR HYDRAULIC LIFT CYLINDER NO. 68-5700

Ref. No.	Part No.	Description	No. Used
1	70-8130	Barrel	1
2	32152-10	Nut	1
3		Washer - Back Up	3
4		Seal - O-Ring	2
5	70-2780	Piston	1
6		Seal - O-Ring	1
7	70-2770	Head	1

Ref. No.	Part No.	Description	No. Used
8		Seal - O-Ring	1
9		Leather	1
10		Seal - Dust	1
11	43-5220	Ring - Retaining	1
12	43-5230	Shaft/Clevis	1
*	70-2790	Repair Kit (Incl. Ref. #3, 4, 6, 8, 9 & 10)	1

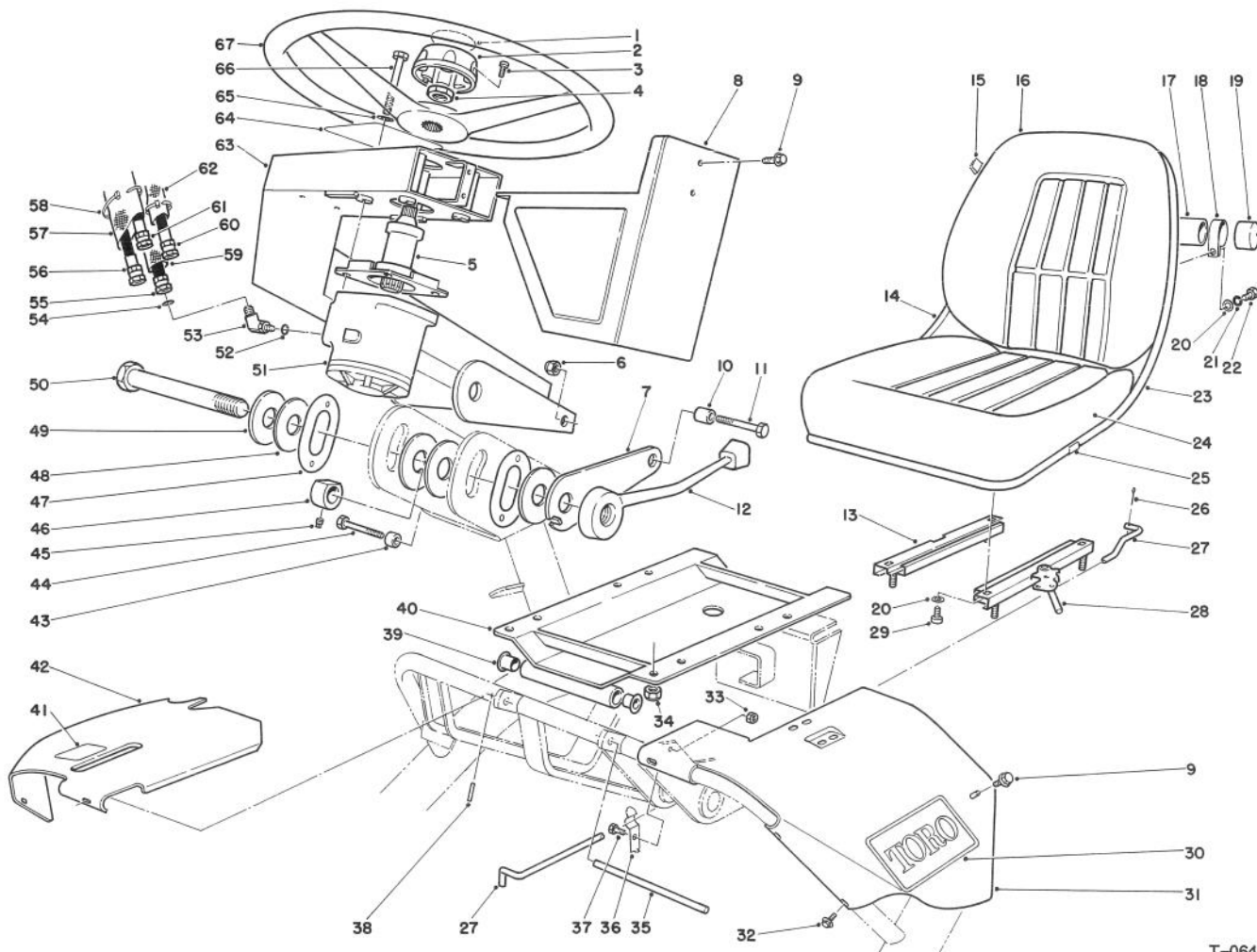
*Not Illustrated



STEERING & SEAT ASSEMBLY

T-0648

Ref. No.	Part No.	Description	No. Used	Ref. No.	Part No.	Description	No. Used
1	68-5370	Decal - Steering Wheel	1	25	351-80	Clip - Seat	1
2	68-5140	Cap - Steering Wheel	1	26	3272-11	Pin - Cotter	1
3	32144-21	Screw - Fillister Hd.	1	27	68-5100	Rod - Seat	1
4	47-6990	Nut - Lock	1	28	51-0790	Adjuster - Seat	1
5	68-5170	Column - Steering	1	29	3274-12	Screw - Cap Hex. Hd.	4
6	3296-25	Nut - Lock	2	30	43-5110	Decal - TORO	2
7	68-5480	Plate - Steering Arm	1	31	68-4690	Shield - Valve Cover L.H.	1
8	68-5120	Cover - Steering Valve	1	32	32104-76	Screw - Self Tapping	5
9	12-3270	Screw - Thread Forming	7	33	3296-16	Nut - Lock	1
10	68-5450	Spacer - Pivot Arm L.H.	1	34	3296-29	Nut - Lock	4
11	325-8	Screw - Cap Hex. Hd.	1	35	49-5880	Shaft - Seat Support	1
12	68-5300	Lever - Arm Lock	1	36	68-5310	Clip - Seat	1
13	51-0780	Slide - Seat	1	37	321-3	Screw - Cap Hex. Hd.	1
14	351-81	Shell - Seat	1	38	32121-45	Pin - Roll	1
15	351-79	Clip - Seat	6	39	256-219	Bushing	2
16	351-75	Backrest (Incl. Ref. #15 & 25)	1	40	49-5840	Support - Seat (Incl. Ref. #39)	1
17	65-5870	Tube	1	41	51-0010	Decal - Traction	1
18	2412-102	Clamp - R	2	42	68-4680	Shield - Valve Cover R.H.	1
19	65-5890	Cap - Tube	2	43	68-5440	Spacer - Pivot Arm R.H.	1
20	3256-23	Washer	6	44	325-7	Screw - Cap Hex. Hd.	1
21	3253-4	Washer - Lock	2	45	3242-1	Screw - Sq. Hd. Set	1
22	322-2	Screw - Cap Hex. Hd.	2	46	68-5420	Hub - Locking	1
23	351-78	Edging	2	47	68-5430	Plate - Wear	2
24	351-76	Cushion - Seat (Incl. Ref. #15 & 25)	1	48	31-0390	Washer - Friction	4
				49	68-5290	Washer - Steering Arm	1

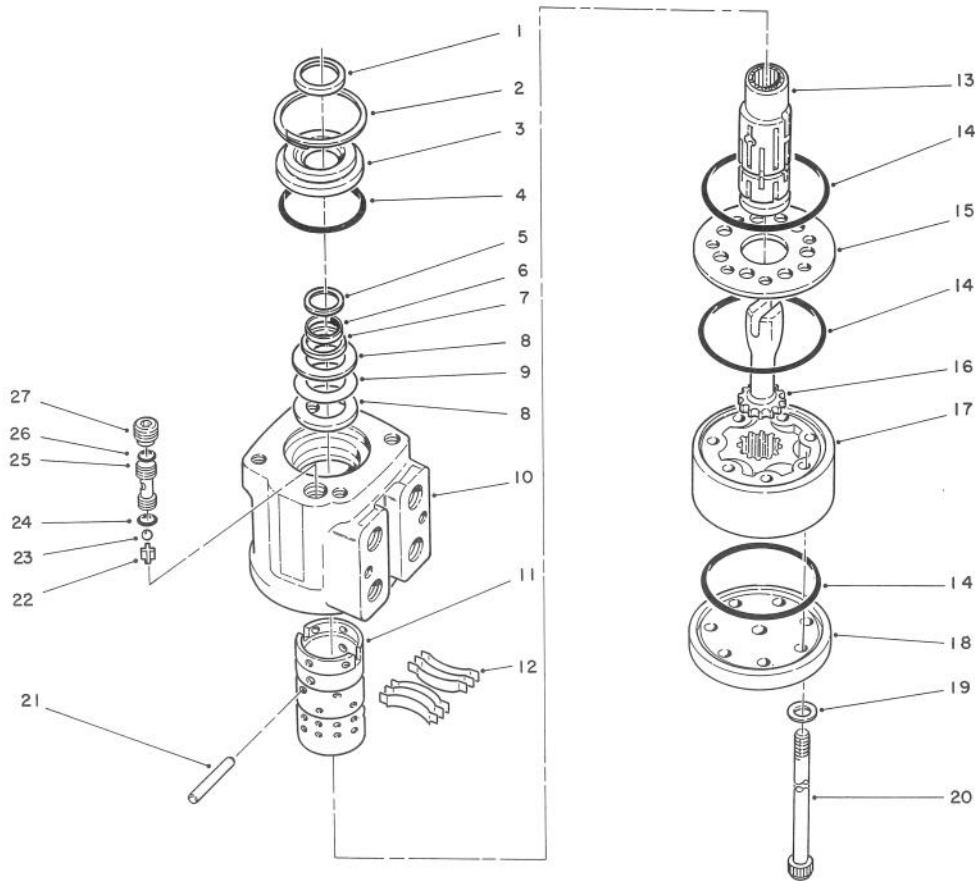


T-0648

STEERING & SEAT ASSEMBLY (Continued)

Ref. No.	Part No.	Description	No. Used
50	3216-16	Screw - Cap Hex. Hd.	1
51	58-3951	Steering Valve Assembly	1
52	237-42	Seal - O-Ring	4
53	340-137	Fitting - Hydraulic 45° Elbow (Incl. Ref. #52 & 54)	4
54	237-35	Seal - O-Ring	4
55	68-5840	Hose - Hydraulic	1
56	68-5750	Hose - Hydraulic	1
57	56-7983	Sleeve - Protective	1
58	3290-378	Tie - Cable	6

Ref. No.	Part No.	Description	No. Used
59	70-8445	Sleeve - Protective	1
60	68-5740	Hose - Hydraulic	1
61	68-5760	Hose - Hydraulic	1
62	70-8446	Sleeve - Protective	1
63	68-4700	Arm - Steering	1
64	27-2880	Decal - Caution	1
65	3256-46	Washer	4
66	323-20	Screw - Cap Hex. Hd.	4
67	68-5130	Wheel - Steering (Incl. Ref. #2 & 3)	1



T-0639

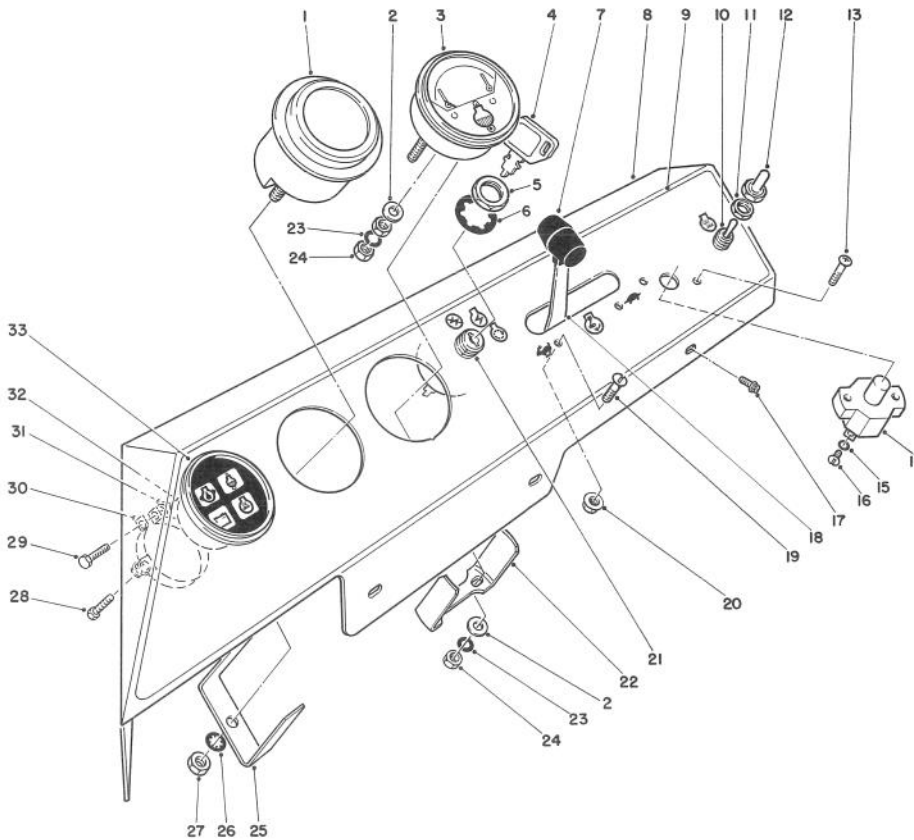
POWER STEERING VALVE NO. 58-3951

Ref. No.	Part No.	Description	No. Used
1		Seal - Dust	1
2	52-9230	Ring - Retaining	1
3	70-8230	Bushing - Gland Seal	1
4		Seal - O-Ring	1
5		Ring - Back Up	1
6		Seal - O-Ring	1
7		Seal	1
8	59-6730	Race - Bearing	2
9	59-6740	Bearing - Needle Thrust	1
†10		Housing	1
†11		Sleeve - Control	1
12	59-6820	Centering Spring Kit	1
†13		Spool - Control	1
14		Seal - O-Ring	3
15	59-6850	Plate - Spacer	1
16	70-8250	Drive	1

Ref. No.	Part No.	Description	No. Used
17	70-8320	Gerotor	1
18	59-6890	Cap - End	1
19	52-9350	Screw - Cap	7
20		Washer	7
21	59-6830	Centering Pin Kit	1
22	52-9290	Retainer - Check Ball	1
23	52-9280	Ball - Check	1
24		Seal - O-Ring	1
25	52-9270	Seat - Check Ball	1
26		Seal - O-Ring	1
*	52-9250	Needle Bearing Kit (Incl. Ref. #8 & 9)	1
*	70-8240	Control Parts Assembly (Incl. Ref. #10-13 & 21)	1
*	70-8300	Seal Kit (Incl. Ref. #1, 4-7, 14, 20, 24 & 26)	1

*Not Illustrated

†Not Serviced Separately.



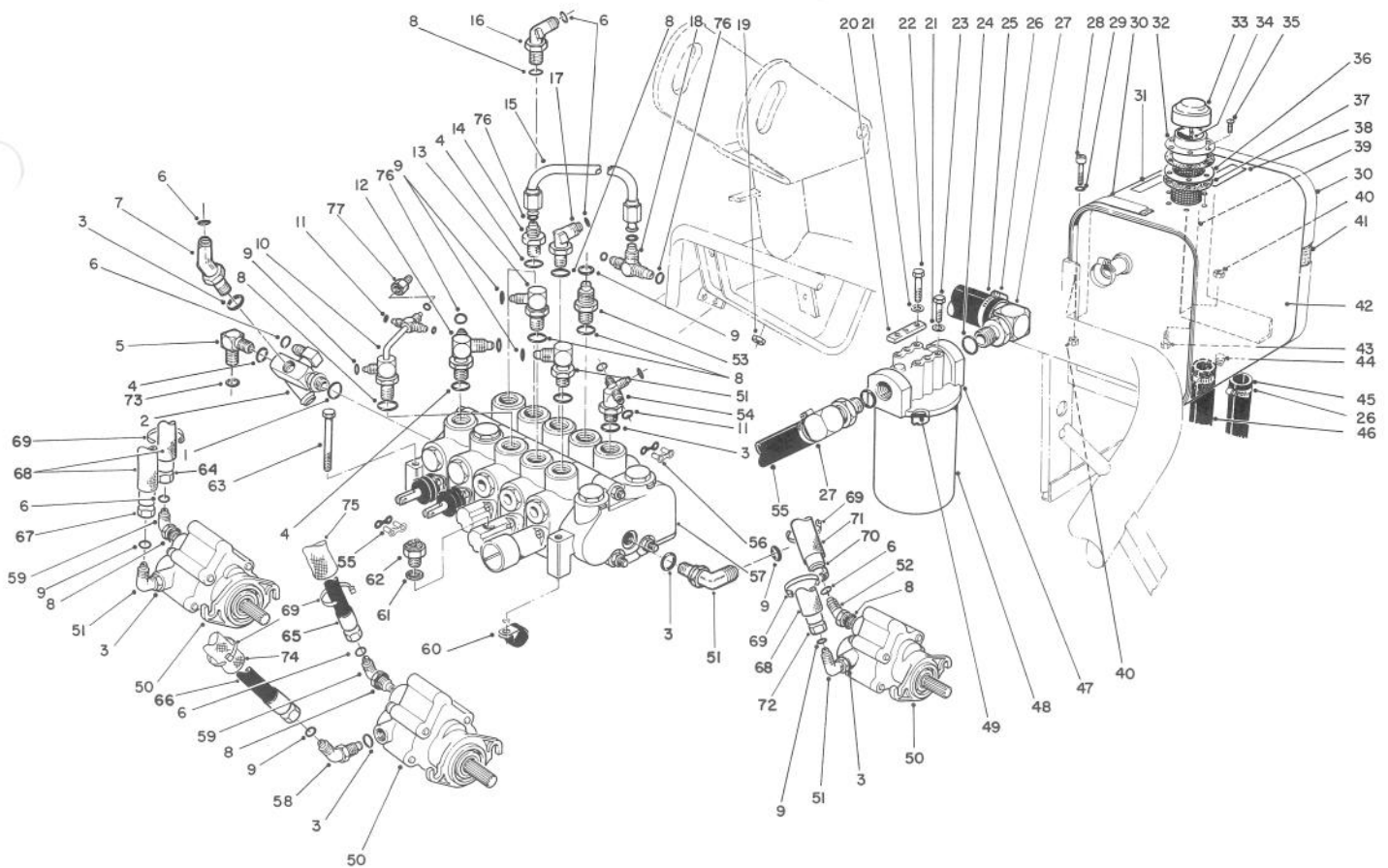
T-0814

INSTRUMENT PANEL ASSEMBLY

Ref. No.	Part No.	Description	No. Used
1	66-2950	Meter - Hour	1
2	3256-49	Washer - Plain	4
3	63-7430	Gauge - Temperature	1
4	63-8360	Key	1
5	218-446	Nut	1
6	218-447	Washer - Lock	1
7	233-50	Knob - Throttle	1
8	68-5630	Panel - Control	1
9	70-8120	Decal - Control Panel	1
10	6-1659	Switch - Glow (Incl. Ref. #11 & 12)	1
11	218-497	Nut	1
12	218-473	Boot - Switch	1
13	32122-53	Screw - Phillips Hd.	2
14	68-5210	Breaker - Circuit 15A	1
15	3253-15	Washer - Lock	2
16	3250-28	Screw - Round Hd.	2
17	32104-76	Screw - Acorn Washer Hd.	6

Ref. No.	Part No.	Description	No. Used
18	68-9931	Control - Throttle (Incl. Ref. #7)	1
19	32105-8	Screw - Round Hd.	2
20	32149-7	Nut - Lock	2
21	27-2360	Switch - Key (Incl. Ref. #5 & 6)	1
22	39-9600	Clamp - Mounting	1
23	3253-12	Washer - Lock	5
24	3256-49	Nut	6
25	218-515	Clamp - Mounting	1
26	3254-1	Washer - I.T.L.W.	1
27	3217-26	Nut	1
28	32144-39	Screw - Thread Forming	2
29	32105-1	Screw - Cap Hex. Hd.	1
30	69-4780	Clamp - Hose	1
31	3296-2	Nut - Lock	1
32	70-8200	Socket - Light	4
33	66-2960	Cluster Light - Warning	1
*	219-17	Bulb - Light	4

*Not Illustrated

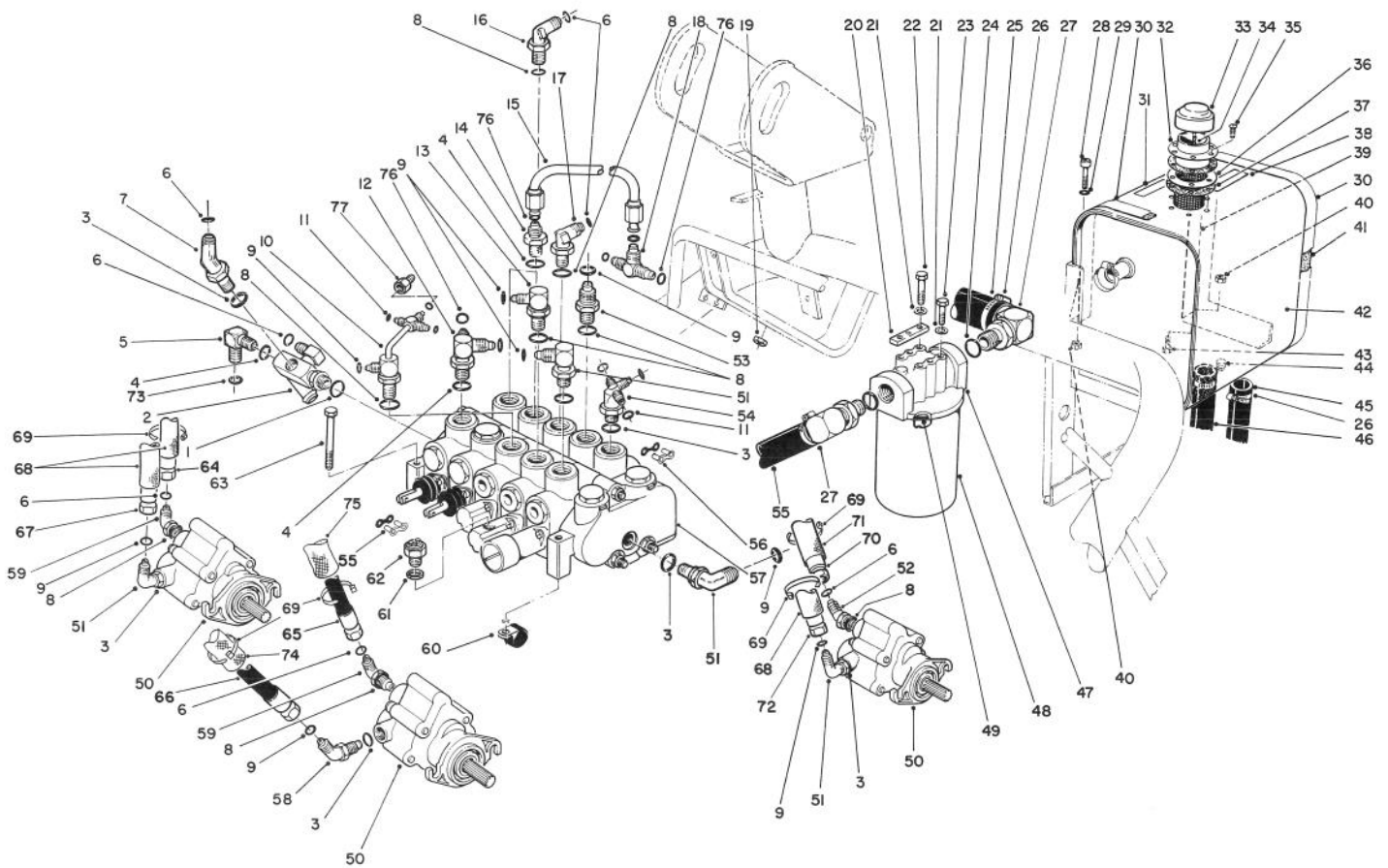


T-0643

VALVE BANK & HYDRAULIC RESERVOIR ASSEMBLY

Ref. No.	Part No.	Description	No. Used
1	237-81	Seal - O-Ring	1
2	68-5260	Orifice - Manifold Drain (Incl. Ref. #1 & 6)	1
3	237-42	Seal - O-Ring	9
4	237-80	Seal - O-Ring	3
5	340-16	Fitting - Hydraulic 90° Elbow (Incl. Ref. 3 & 4)	1
6	237-30	Seal - O-Ring	7
7	340-96	Fitting - Hydraulic 45° Elbow Incl. Ref. #3 & 6)	1
8	237-79	Seal - O-Ring	8
9	237-22	Seal - O-Ring	3
10	63-4060	Tube Assembly (Incl. Ref. #8, 9 & 11)	1
11	237-21	Seal - O-Ring	7
12	63-4050	Fitting - Traction Upper (Incl. Ref. #4 & 76)	1
13	340-18	Fitting - Hydraulic 90° Elbow (Incl. Ref. #5 & 9)	1
14	340-7	Fitting - Hydraulic Straight (Incl. Ref. #4 & 76)	1
15	63-3980	Tube - Traction Interconnect	1
16	340-11	Fitting - Hydraulic 45° Elbow (Incl. Ref. #6 & 8)	1
17	340-101	Fitting - Hydraulic 45° Elbow (Incl. Ref. #6 & 8)	1

Ref. No.	Part No.	Description	No. Used
18	340-19	Fitting - Hydraulic Tee (Incl. Ref. #76)	1
19	32128-20	Nut - Flange Lock	3
20	27-2380	Spacer - Filter Mount	1
21	3256-23	Washer - Flat	2
22	322-4	Screw - Cap Hex. Hd.	2
23	322-2	Screw - Cap Hex. Hd.	2
24	237-101	Seal - O-Ring	2
25	68-5890	Hose - Filter Return	1
26	2412-3	Clamp - Hose	8
27	353-564	Fitting - Hydraulic 90° Elbow (Incl. Ref. #24)	2
28	3274-19	Screw - Set	2
29	3256-22	Washer - Flat	2
30	27-2400	Strap - Reservoir Assembly (Incl. Ref. #41)	2
31	58-6530	Decal - Oil	1
32	353-961	Adapter - Flange	1
33	62-2570	Cap - Breather (Incl. Ref. #32, 34, 36 & 37)	1
34	353-962	Cap & Chain Assembly	1
35	32144-34	Screw	6
36	62-2610	Screw Assembly	1
37	353-963	Gasket	2
38	62-7290	Decal -Hot Surface	1
39	27-2420	Felt - Angle	2

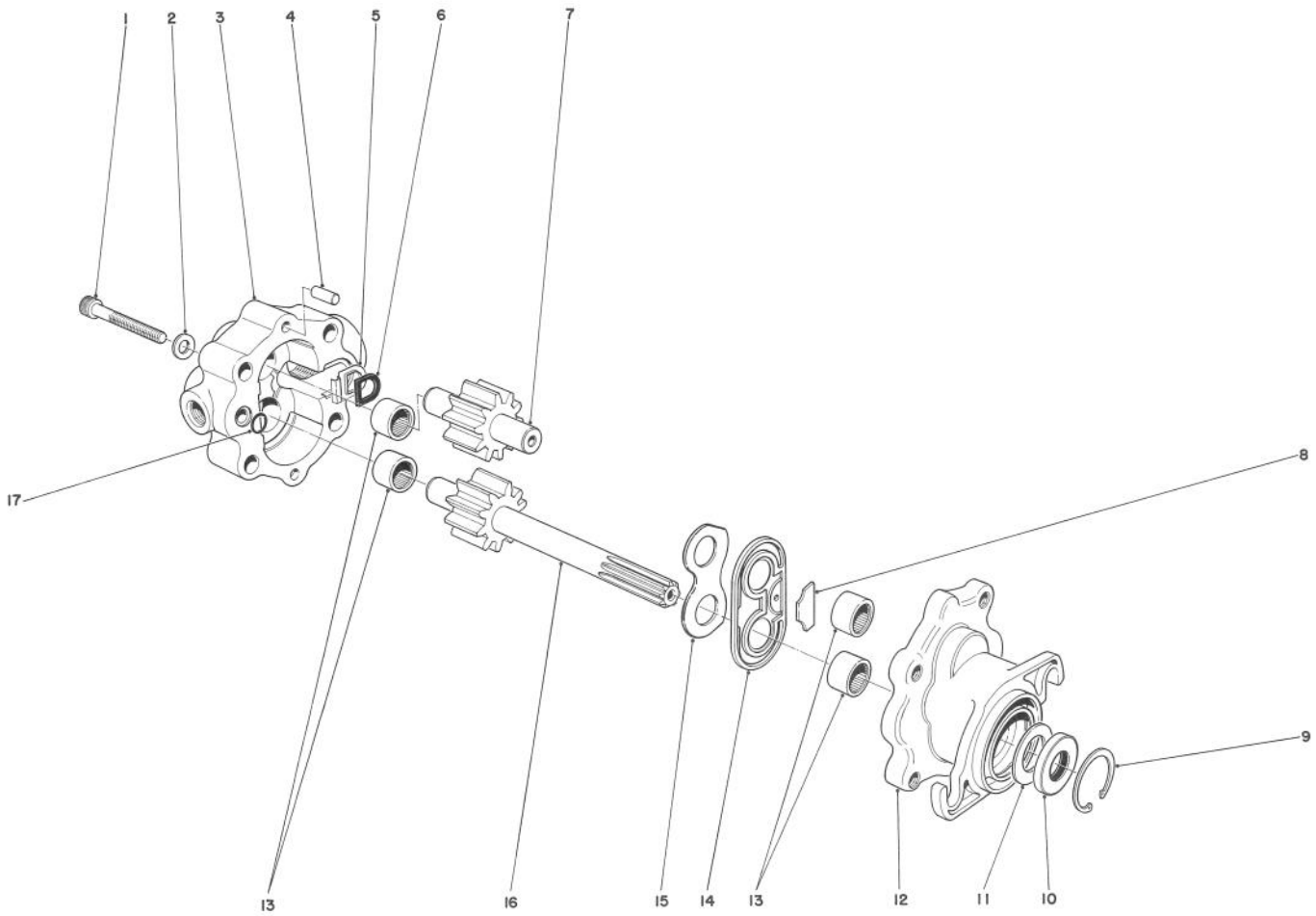


T-0643

VALVE BANK & HYDRAULIC RESERVOIR ASSY. (Continued)

Ref. No.	Part No.	Description	No. Used
40	3296-16	Nut - Hex.	4
41	27-3030	Felt - Strap	2
42	55-8480	Reservoir - Hydraulic	1
43	321-3	Screw - Cap Hex. Hd.	2
44	281-1	Plug - Oil	1
45	68-5860	Hose - Pump Inlet L.H.	1
46	68-5870	Hose - Pump Inlet R.H.	1
47	44-5560	Head - Hydraulic Filter	1
48	68-9880	Element - Filter (Incl. Ref. #49)	1
49	72-3850	Seal - Ring	1
50	26-5690	Motor - Reel	3
51	340-77	Fitting - Hydraulic 90° Elbow (Incl. Ref. #3 & 9)	4
52	340-101	Fitting - Hydraulic 45° Elbow (Incl. Ref. #6 & 8)	1
53	340-3	Fitting - Hydraulic Straight (Incl. Ref. #8 & 9)	1
54	70-2630	Fitting - Hyd. Crows Foot (Incl. Ref. #3 & 11)	1
55	68-5880	Hose - Filter Inlet	1
56	57-6220	Link - Connector	5
57	70-8210	Control Valve Assembly	1

Ref. No.	Part No.	Description	No. Used
58	340-87	Fitting - Hydraulic 45° Elbow (Incl. Ref. #3 & 9)	1
59	340-98	Fitting - Hydraulic 90° Elbow (Incl. Ref. #6 & 8)	2
60	304-61	Clamp	1
61	38-0410	Nut - Hex.	2
62	43-8520	Switch	2
63	322-14	Screw - Cap Hex. Hd.	3
64	63-3820	Hose - Hydraulic	1
65	63-3830	Hose - Hydraulic	1
66	63-3870	Hose - Hydraulic	1
67	63-3810	Hose - Hydraulic	1
68	56-7980	Sleeve - Protective	3
69	3290-378	Tie - Cable	12
70	63-3840	Hose - Hydraulic	1
71	56-7981	Sleeve - Protective	1
72	63-3860	Hose - Hydraulic	1
73	237-58	Seal - O-Ring	1
74	56-7986	Sleeve - Protective	1
75	56-7987	Sleeve - Protective	1
76	237-65	Seal - O-Ring	6
77	71-0990	Orifice - One Way	1



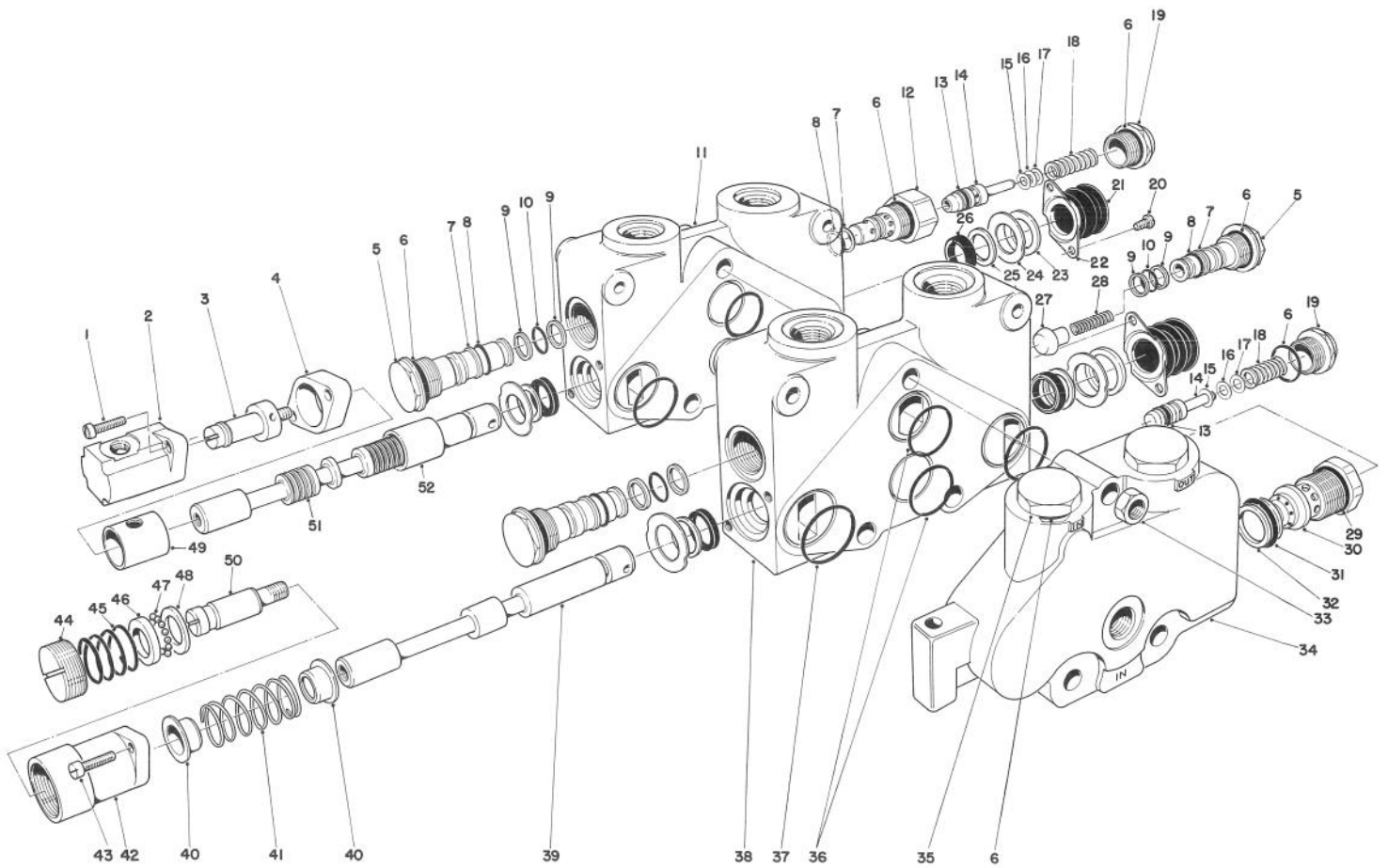
T-0300

REEL MOTOR NO. 26-5690

Ref. No.	Part No.	Description	No. Used
1	353-601	Screw - Hex. Socket Hd.	4
2	353-600	Washer	4
3	353-588	Cover - Motor (Incl. Ref. #13)	1
4	353-599	Pin - Dowel	2
5	353-597	Insert - Bridging	1
6	353-598	Gasket - Insert	1
7	353-593	Idler Gear Assembly	1
8	353-591	Block - Anti-Extrusion	1
9	32151-41	Ring - Retaining	1
10	354-34	Seal - Shaft <i>72-4380</i>	1
11	353-590	Spacer	1
12	353-777	Body - Motor	1

Ref. No.	Part No.	Description	No. Used
13	353-586	Bearing - Needle	4
14	353-594	Seal Assembly	1
15	353-595	Plate - Wear	1
16	353-592	Drive Shaft Assembly	1
17	353-596	Seal - O-Ring	1
*	72-4380	Seal Kit (Incl. Ref. #9-11)	1
*	72-4390	Repair Kit (Incl. Ref. #5, 6, 8-11, 14, 15 & 17)	1
*†		Seal Installer	1
*†		Seal Protector	1

*Not Illustrated
†Special Tool (Ref. Page 38-39).



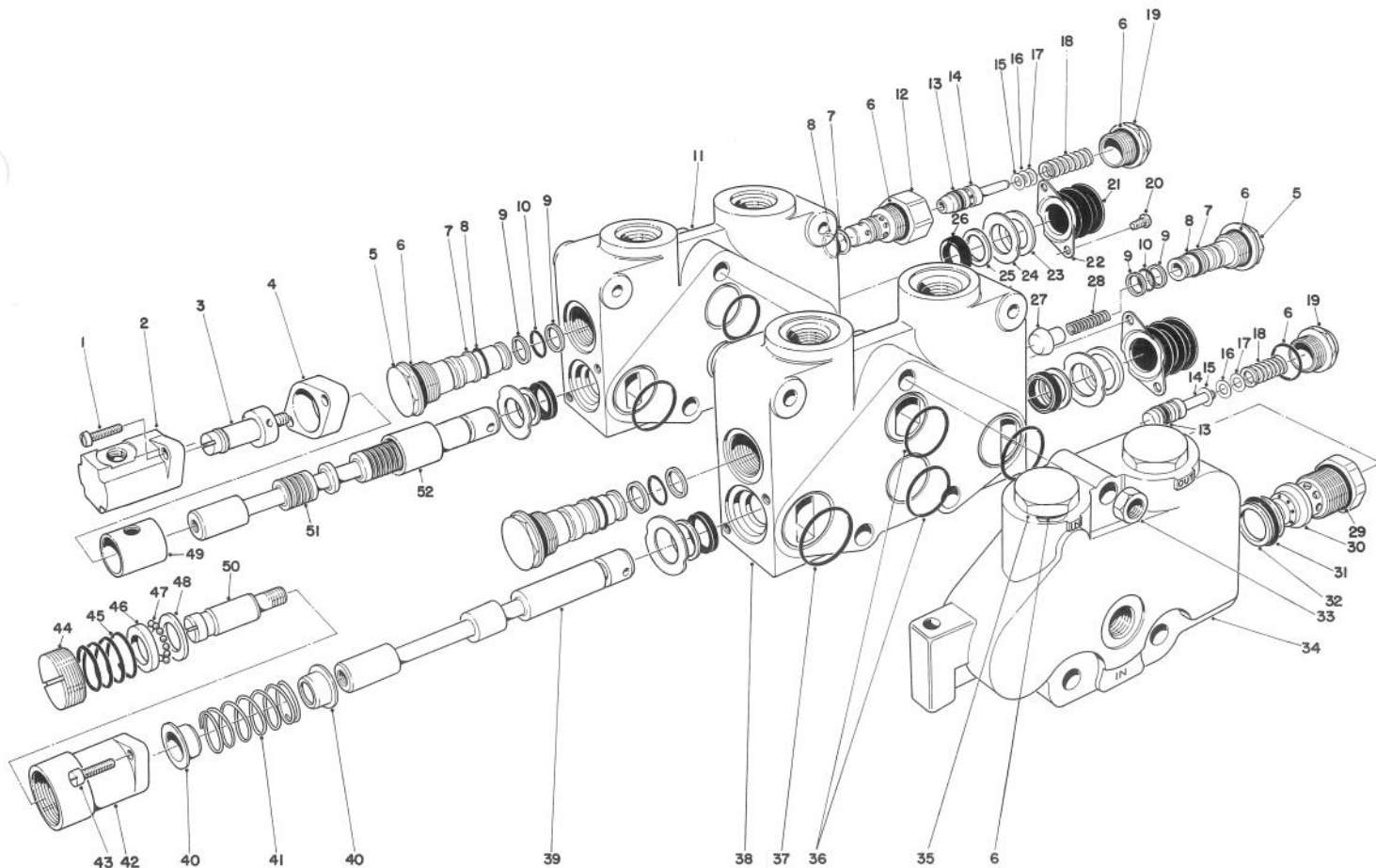
T-0301

CONTROL VALVE ASSEMBLY NO. 70-8210 Sections 1 & 2

Ref. No.	Part No.	Description	No. Used
1	3274-70	Screw - Hex. Socket Hd.	2
2	353-727	Bonnet	1
3	353-729	Spud - Detent	1
4	353-733	Spacer - Bonnet	1
5	353-481	Plug - Load Check (Incl. Ref. #6-10)	3
6	237-54	Seal - O-Ring	8
7	353-306	Ring - Back-Up	4
8	353-305	Seal - O-Ring	4
9	353-303	Ring - Back-Up	6
10	353-302	Seal - O-Ring	3
11		Housing - V20T	1
12	353-851	Body - Relief CP-RC Mod.	1
13	353-392	Seal - Relief Poppet PTFE	2
14	353-531	Poppet Assembly (Incl. Ref. #13)	2
15	353-328	Washer - Shim	A/R
16	353-329	Washer - Shim	A/R
17	353-330	Washer - Shim	A/R
18	353-855	Spring	2
19	353-334	Cap - Relief	2
20	3274-52	Screw - Hex. Socket Hd.	4
21	353-575	Boot - Dust Cap	2
22	353-559	Retainer - Boot	2
23	353-560	Washer - Breather	2
24	353-959	Plate - Seal Retainer	4

Ref. No.	Part No.	Description	No. Used
25	353-958	Ring - Back-Up	4
26	353-957	Seal - Lip	4
27	353-301	Poppet	1
28	353-304	Spring	1
29	353-331	Seal - O-Ring	1
30	353-760	Body - Relief	1
31	353-758	Seal - O-Ring	1
32	353-952	Ring - Back-Up	1
33	3217-7	Nut - Hex.	3
34	353-772	Cover - End L.H.	1
35	353-721	Plug (Incl. Ref. #6)	2
†36		Seal - O-Ring	4
†37		Seal - O-Ring	4
†38		Housing - Section #1	1
†39		Spool - V20 SPL	1
40	353-417	Collar - Spring	2
41	353-530	Spring	1
42	353-754	Bonnet - R. Detent	1
43	3274-15	Screw - Fillister Hd.	2
44		Cap - Adjustment	1
45	353-579	Spring	1
46	42-2680	Race - R. Detent	1
47	52-5880	Ball - Steel	12
48	354-29	Plate - Thrust	1
49	353-728	Sleeve	1

†Parts available in assemblies listed as (*Not Illustrated) on following page.



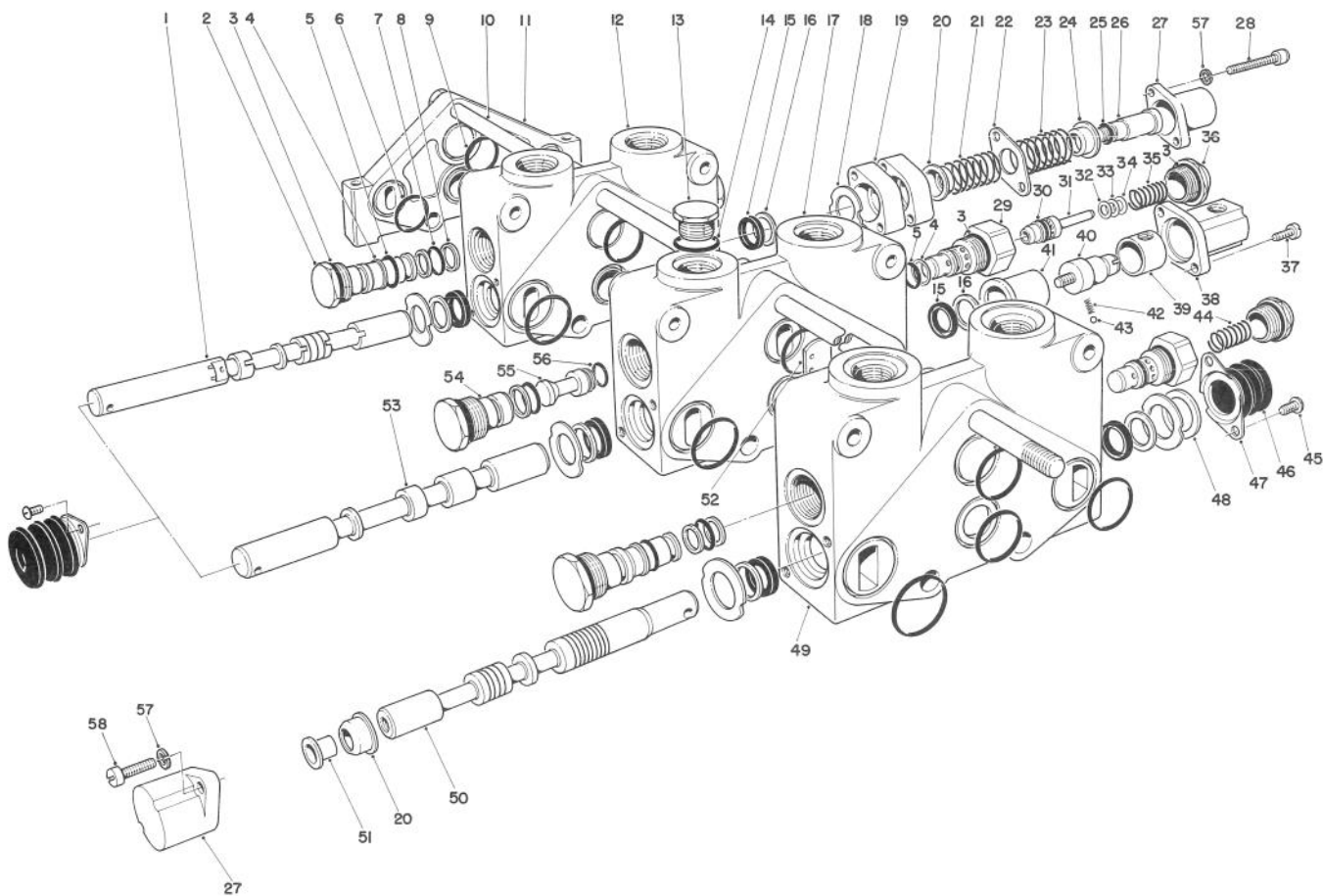
T-0301

CONTROL VALVE ASSEMBLY NO. 70-8210 Section 1 & 2 (Continued)

Ref. No.	Part No.	Description	No. Used	Ref. No.	Part No.	Description	No. Used
50	353-780	Spud - Detent Out (Incl. Ref. #44)	1	*	353-839	Positioner - DI (SPL) Assy. (Incl. Ref. #1, 3-5, 50 & 52)	1
†51		Spool - V20 3 Way F.F.	1	*	353-642	Relief - RC Mod. (Incl. Ref. #6-8 & 12-19)	1
52	353-732	Sleeve - Detent	1	*	353-835	Seals - Section Set (Incl. Ref. #36 & 37)	1
*	353-766	Relief - WH Assembly (2000 psi) (Incl. Ref.#6, 13-19 & 29-32)	1	*	12-7009	Seal - Spool Set (Incl. Ref. #24-26)	4
*	353-768	Section #1 Complete	1	*	353-854	Boot - Spool Protection (Incl. Ref. #20-23)	2
*	353-837	Section #2 Complete	1				
*	353-780	Positioner - R. Detent (Out) Incl. Ref. #3 & 40-49)	1				

*Not Illustrated

†Parts available in assemblies listed as (*Not Illustrated) on this page.



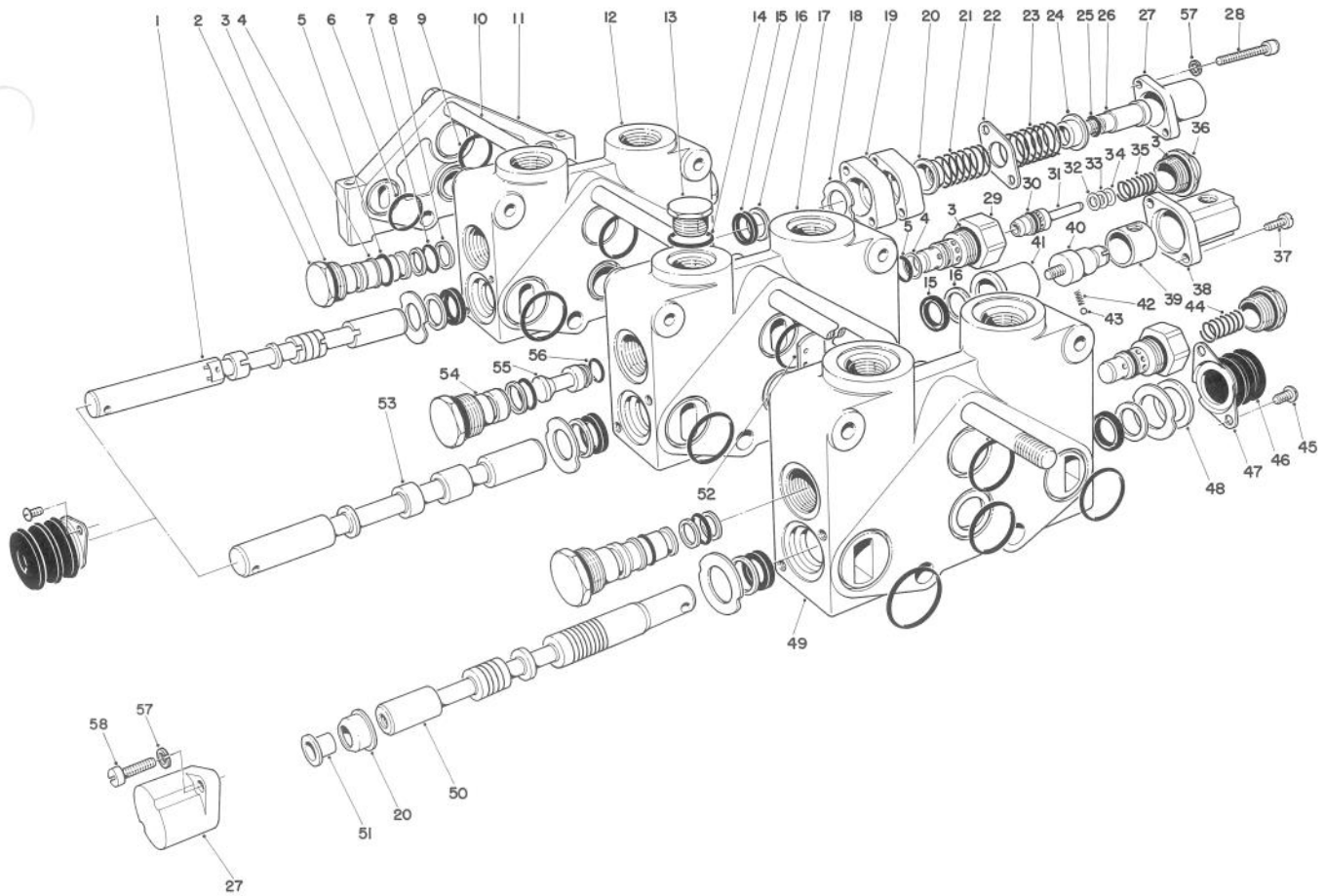
T-0302

CONTROL VALVE ASSEMBLY NO. 70-8210 Section 3 thru 5

Ref. No.	Part No.	Description	No. Used
†1		Spool - #5	1
2	353-481	Plug - Load Check (Incl. Ref. #3-5 & 7-8)	3
3	237-54	Seal - O-Ring	6
4	353-306	Ring - Back-Up	5
5	353-305	Seal - O-Ring	5
†6		Seal - O-Ring	8
7	353-302	Seal - O-Ring	3
8	353-303	Ring - Back-Up	6
†9		Seal - O-Ring	8
10	353-853	Bolt - Hex. Hd.	3
11	353-668	Plate - Cap Cover R.H.	1
†12		Housing - V20 #5	1
13	353-550	Plug Assembly (Incl. Ref. #14)	1
14	353-848	Seal - O-Ring	1
15	353-957	Seal - Lip	6
16	353-958	Ring - Back-Up	6
†17		Housing - V20 #4	1
18	353-959	Plate - Seal Retainer	6
19	353-733	Spacer - Bonnet	2
20	353-417	Collar - Spring	1
21	353-831	Spring	1
22	353-529	Plate - Seal	1
23	353-581	Spring	1
24	353-808	Collar - Spring	1

Ref. No.	Part No.	Description	No. Used
25	353-830	Seal - O-Ring	1
26	353-829	Collar - Spool	1
27	354-26	Bonnet	2
28	354-28	Screw - Hex. Socket Hd.	2
29	353-851	Body - Relief CP-RC Mod.	2
30	353-392	Seal - Relief Poppet PTFE	2
31	353-531	Poppet Assembly (Incl. Ref. #30)	2
32	353-328	Washer - Shim	A/R
33	353-329	Washer - Shim	A/R
34	353-330	Washer - Shim	A/R
35	353-398	Spring	1
36	353-334	Cap - Relief	2
37	52-5900	Screw - Fillister Hd.	2
38	353-847	Bonnet - SPL	1
39	353-849	Sleeve	1
40	353-846	Spud - DI (SPL)	1
41	353-845	Sleeve - Detent	1
42	353-730	Spring	1
43	353-731	Ball	1
44	353-855	Spring	1
45	3274-52	Screw - Hex. Socket Hd.	6
46	353-575	Boot - Dust Cap	3
47	353-559	Retainer - Boot	3
48	353-560	Washer - Breather	3
†49		Housing - V20 #2	1

†Parts available in assemblies listed as (*Not Illustrated) on following page.



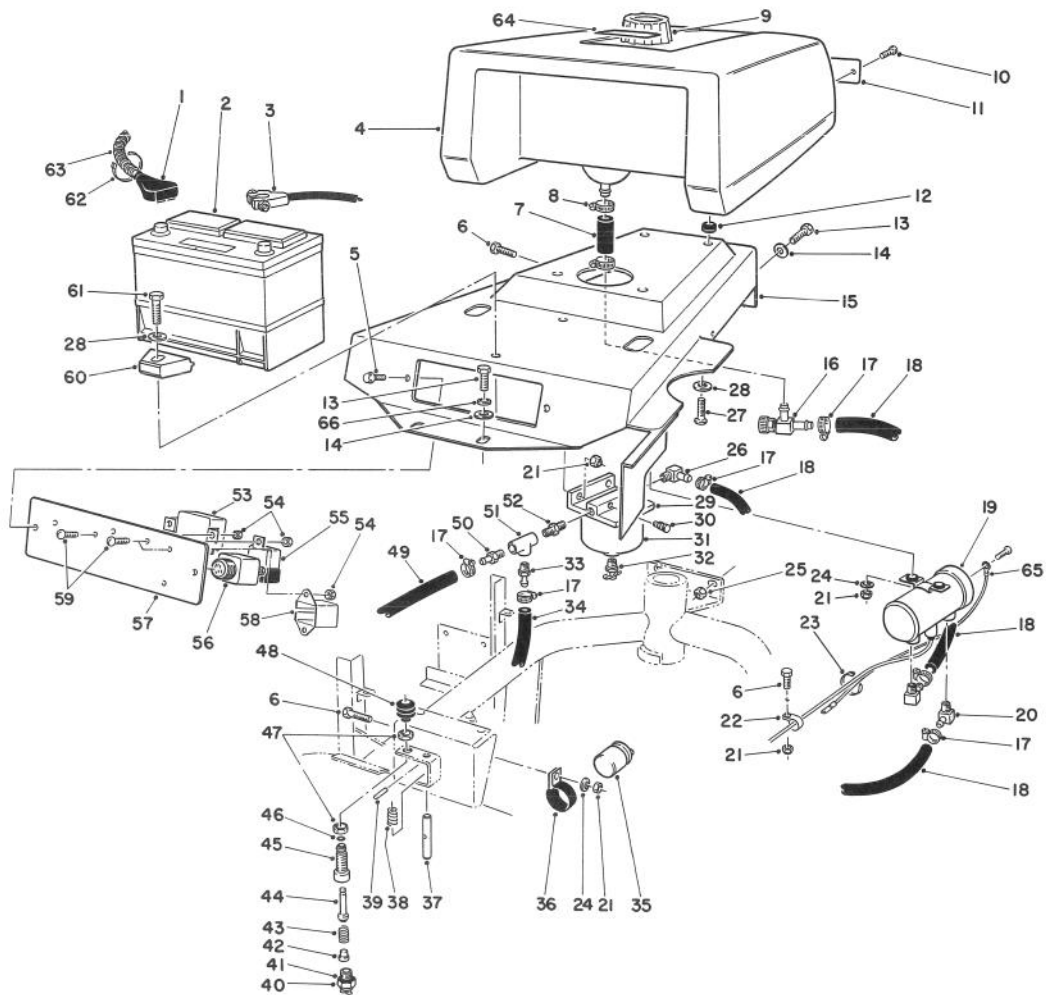
T-0302

CONTROL VALVE ASSEMBLY NO. 70-8210 Section 3 thru 5 (Continued)

Ref. No.	Part No.	Description	No. Used	Ref. No.	Part No.	Description	No. Used
†50		Spool - V20 3 Way F.F.	1			51)	1
51	52-5860	Collar - Spool	1	*	353-840	Positioner - DI (SP) Assy. (Incl. Ref. #37-43)	1
52	353-765	Disc - Seal	1	*	353-833	Positioner Assembly (Incl. Ref. #19-28)	1
†53		Spool - #4	1	*	353-642	Relief - RC Mod. Assembly (Incl. Ref. #3-5 & 29-36)	1
54	353-953	Plug Assembly	1	*	353-835	Seals - Section Set (Incl. Ref. #6 & 9)	1
55	353-844	Plug - Series (Incl. Ref. #56)	1	*	12-7009	Seal - Spool Set (Incl. Ref. #15, 16 & 18)	1
56	353-850	Seal - O-Ring	1	*	353-854	Boot - Spool Protection (Incl. Ref. #43-48)	3
57	3253-3	Washer - Lock	4	*	70-8210	Control Valve Assembly Complete	1
58	3274-84	Screw - Hex. Socket Hd.	4				
*	353-770	Section #3 Complete	1				
*	354-25	Section #4 Complete	1				
*	353-834	Section #5 Complete	1				
*	353-841	Positioner - Spool Assembly (Incl. Ref. #20, 27, 37 &	1				
						<i>12-7009 Seal Kit</i>	

*Not Illustrated

†Parts available in assemblies listed as (*Not Illustrated) on this page.

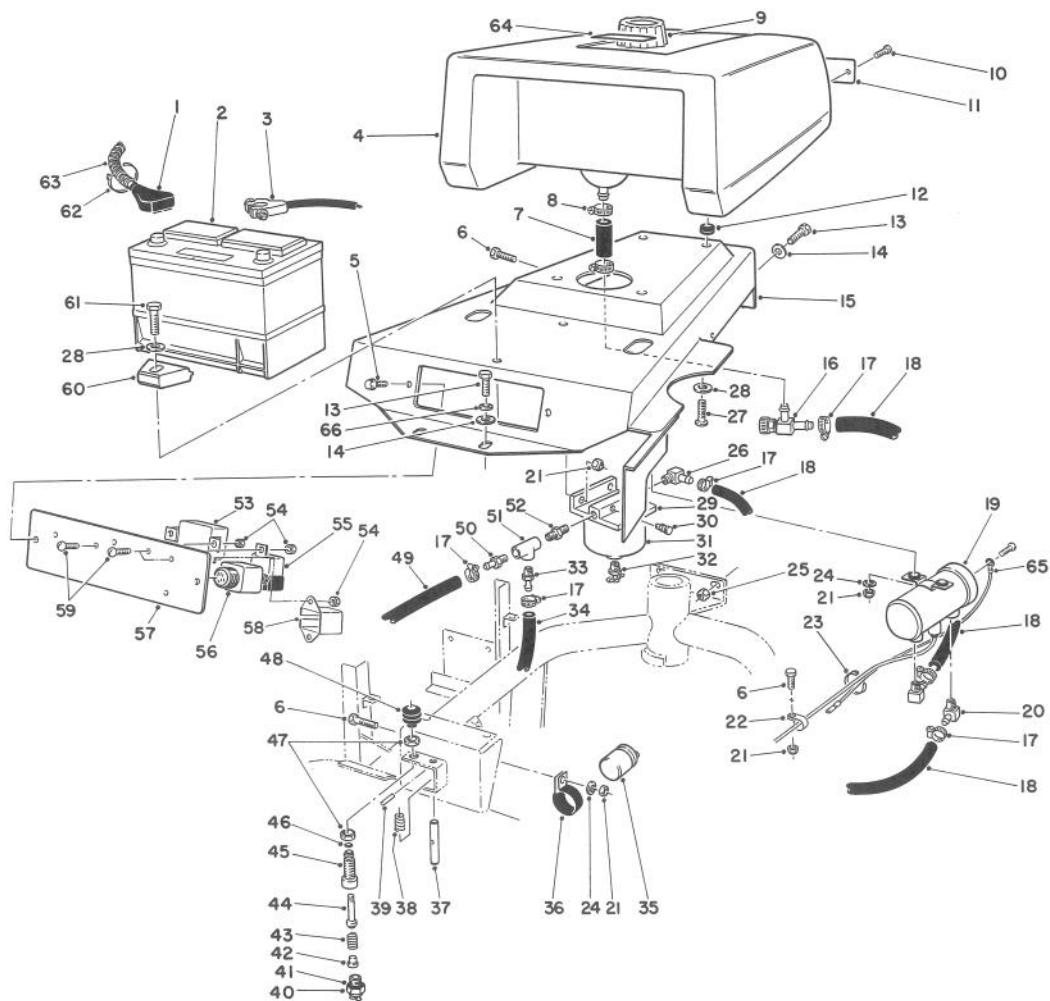


T-0637

FUEL TANK ASSEMBLY

Ref. No.	Part No.	Description	No. Used
1	68-5460	Cable - Battery (Positive)	1
2	66-2750	Battery	1
3	68-5500	Cable - Battery (Negative)	1
4	54-9660	Tank - Fuel	1
5	32104-115	Screw - Thread Forming	2
6	321-4	Screw - Cap Hex. Hd.	4
7	56-2230	Hose - Fuel	1
8	2412-36	Clamp - Hose	2
9	55-3572	Fuel Cap Assembly	1
10	3290-470	Screw - Pan Hd.	2
11	61-3310	Plate - Logo	1
12	237-136	Grommet	4
13	323-6	Screw - Cap Hex. Hd.	4
14	3256-3	Washer - Flat	4
15	68-5510	Base - Tank	1
16	56-2520	Valve - Fuel Shutoff	1
17	2412-108	Clamp - Hose	8
18	63-7622	Hose - Fuel	2
19	70-8460	Pump - Fuel (Incl. Ref. #65)	1
20	67-1690	Fitting - Fuel 90° Elbow	2
21	3296-16	Nut - Lock	5
22	2412-89	Clamp - R	1
23	3290-379	Tie - Cable	3
24	3256-22	Washer - Flat	3
25	3296-39	Nut - Lock	2
26	353-707	Fitting - Fuel 90° Elbow	1

Ref. No.	Part No.	Description	No. Used
27	3250-36	Screw - Pan Hd.	4
28	3256-24	Washer - Flat	6
29	63-7650	Fuel Filter Assembly (Incl. Ref. #30-32)	1
30		Fitting - Vent	1
31	63-8300	Element - Filter	1
32	63-8310	Fitting - Drain	1
33	354-22	Fitting - Fuel Straight	1
34	68-5910	Hose - Fuel	1
35	37-2690	Capacitor	1
36	2412-74	Clamp - R	1
37	51-0350	Pin - Seat Spring	1
38	3-6685	Spring - Compression	1
39	3284-3	Pin - Groove	1
40	38-0430	Switch - Neutral (Incl. Ref. #41)	1
41	237-30	Seal - O-Ring	1
42	43-8610	Guide - Spring & Ball Seat	1
43	43-8600	Spring - Compression	1
44	43-8860	Plunger - Switch	1
45	43-8620	Guide - Switch Pin	1
46	237-7	Seal - O-Ring	1
47	218-461	Nut - Jam	2
48	43-8870	Boot - Switch	1
49	63-7621	Hose - Fuel	1
50	354-21	Fitting - Fuel Straight	1

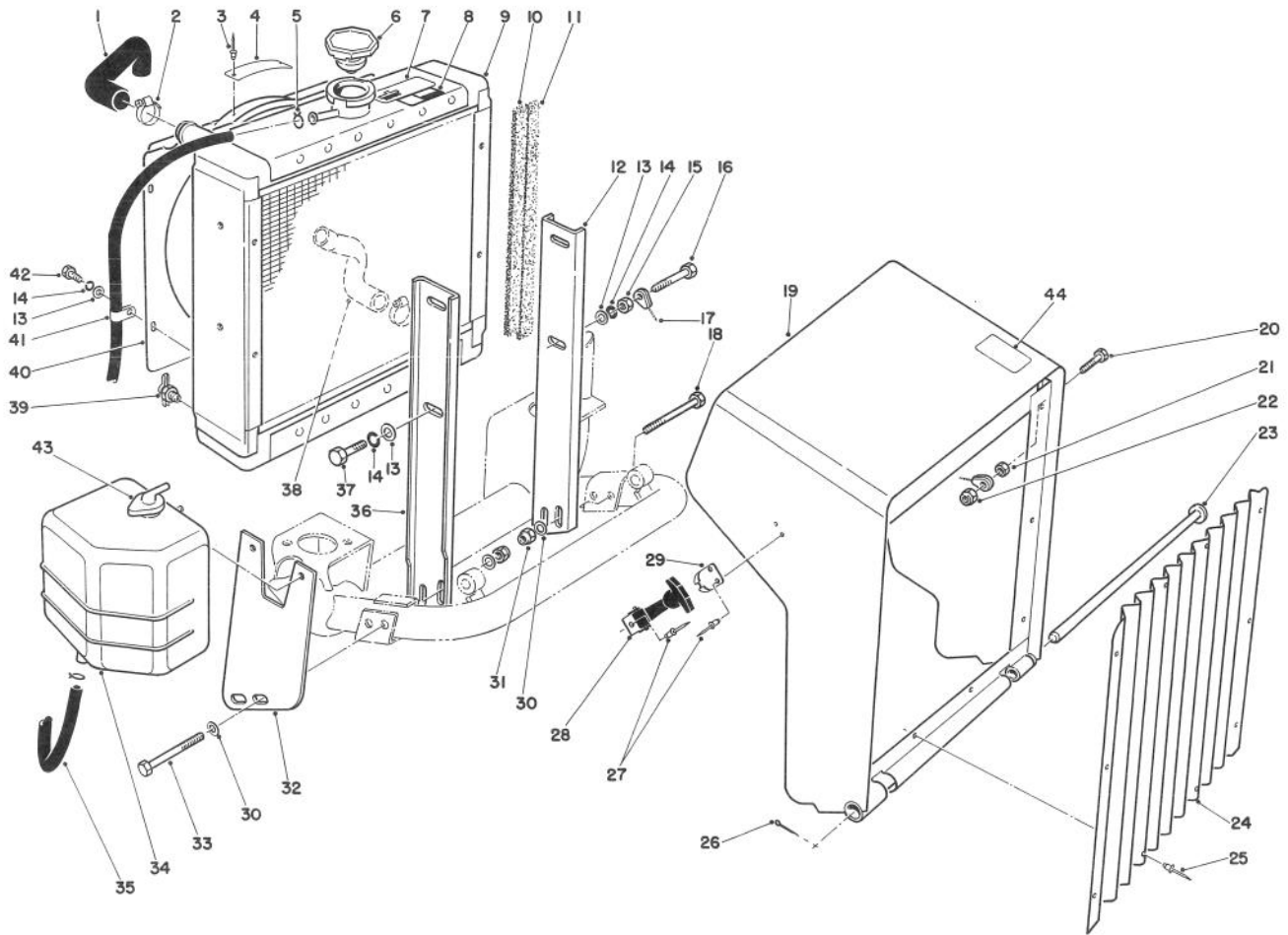


T-0637

FUEL TANK ASSEMBLY (Continued)

Ref. No.	Part No.	Description	No. Used	Ref. No.	Part No.	Description	No. Used
51	354-20	Fitting - Tee	1	60	66-2490	Retainer - Battery	2
52	354-19	Nipple - Hex.	1	61	323-9	Screw - Cap Hex. Hd.	2
53	66-8800	Relay - Glow	1	62	3290-378	Tie - Cable	4
54	32149-7	Nut - Keps	6	63	70-8510	Tubing - Convoluted	1
55	63-7590	Relay SPDT	2	64	52-1320	Decal - Diesel Fuel	1
56	66-8700	Indicator - Glow (Incl. Ref. #58)	1	65	70-8530	Wire - Fuel Pump	1
57	68-5680	Plate - Electrical	1	66	3253-21	Washer - Lock	2
58		Nut -Mounting	1	67	70-8560	Retainer - Glow Plug	1
59	32105-8	Screw - Machine	6	*	44-1070	Seat Switch Assembly (Incl. Ref. #40-48)	1

*Not Illustrated

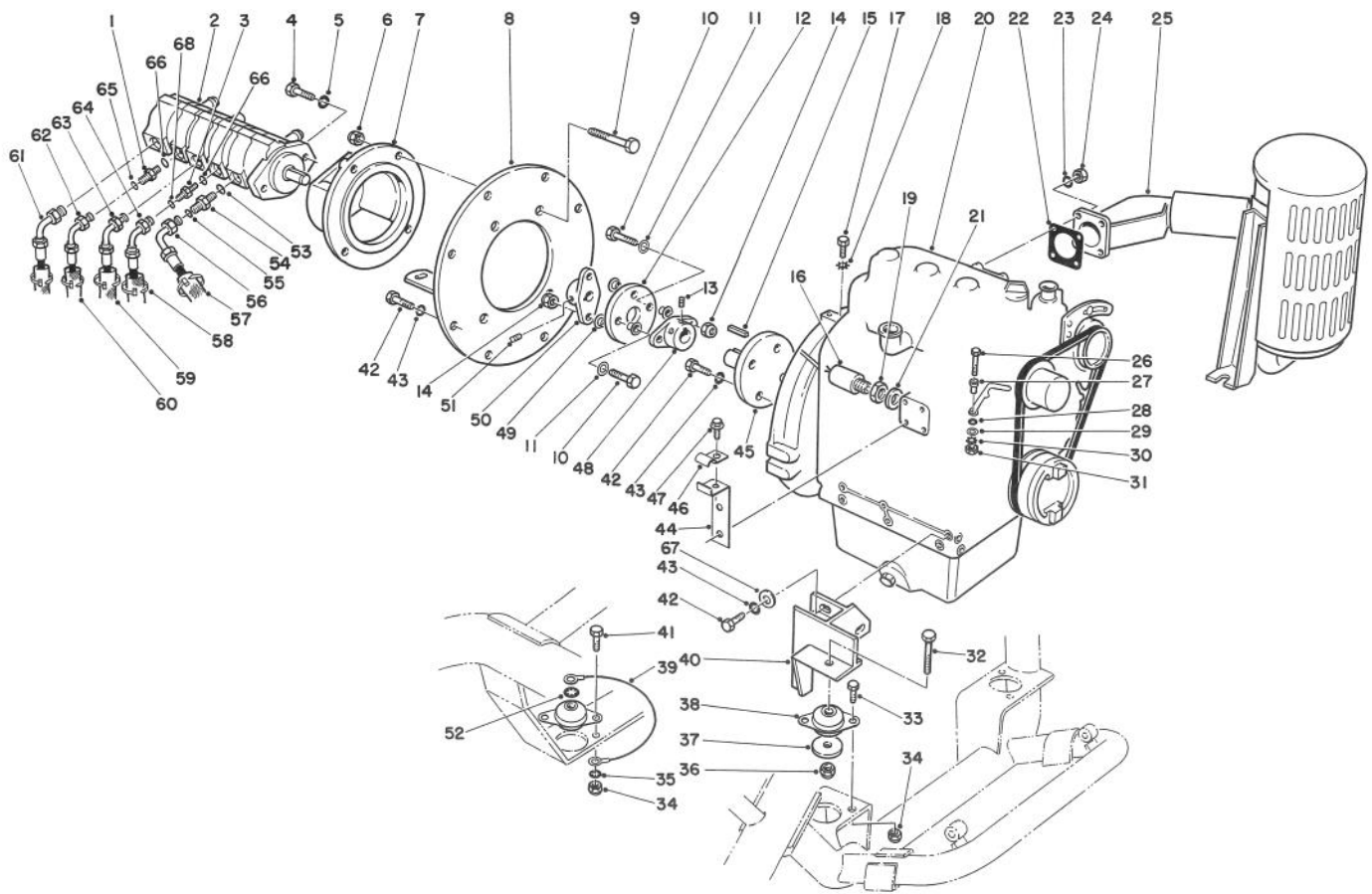


RADIATOR & GRILLE ASSEMBLY

T-0649

Ref. No.	Part No.	Description	No. Used
1	68-4850	Hose - Upper	1
2	2412-3	Clamp	4
3	3290-271	Rivet	2
4	67-1650	Plate - Warning	1
5	2210-185	Ciamp	2
6	66-3240	Cap - Radiator	1
7	54-7990	Decal - Engine Coolant	1
8	62-7290	Decal - Hot Surface	1
9	68-5230	Radiator (Incl. Ref. #39)	1
10	68-5240	Strip - Foam	2
11	68-5241	Strip - Foam	2
12	68-5660	Support - Radiator Rear	1
13	3256-23	Washer - Plain	8
14	3253-4	Washer - Lock	8
15	3217-6	Nut - Hex.	1
16	322-6	Screw - Cap Hex. Hd.	1
17	62-7310	Cable	1
18	323-12	Screw - Cap Hex. Hd.	2
19	68-4860	Hood - Radiator	1
20	321-6	Screw - Cap Hex. Hd.	1
21	3218-1	Nut - Jam	1
22	3296-16	Nut - Lock	1
23	68-5610	Pin - Hood Pivot	1

Ref. No.	Part No.	Description	No. Used
24	68-5670	Grille	1
25	3290-409	Rivet - Pop	10
26	3272-6	Pin - Cotter	1
27	3290-55	Rivet - Pop	8
28	59-9740	Latch Assembly (Incl. Ref. #29)	2
29		Keeper	2
30	3256-3	Washer	6
31	3296-59	Nut - Lock	4
32	68-5640	Bracket - Reserve Tank	1
33	323-13	Screw - Cap Hex. Hd.	2
34	63-7380	Tank - Reserve	1
35	68-5470	Hose	1
36	68-5650	Support - Radiator Front	1
37	322-4	Screw - Cap Hex. Hd.	3
38	68-4840	Hose	1
39	304-46	Drain Cock - Radiator	1
40	68-5180	Shroud - Radiator	1
41	2412-93	Clamp	1
42	322-3	Screw - Cap Hex. Hd.	4
43	71-1520	Cap - Reserve Tank	1
44	63-8440	Decal - Hot Surface	1



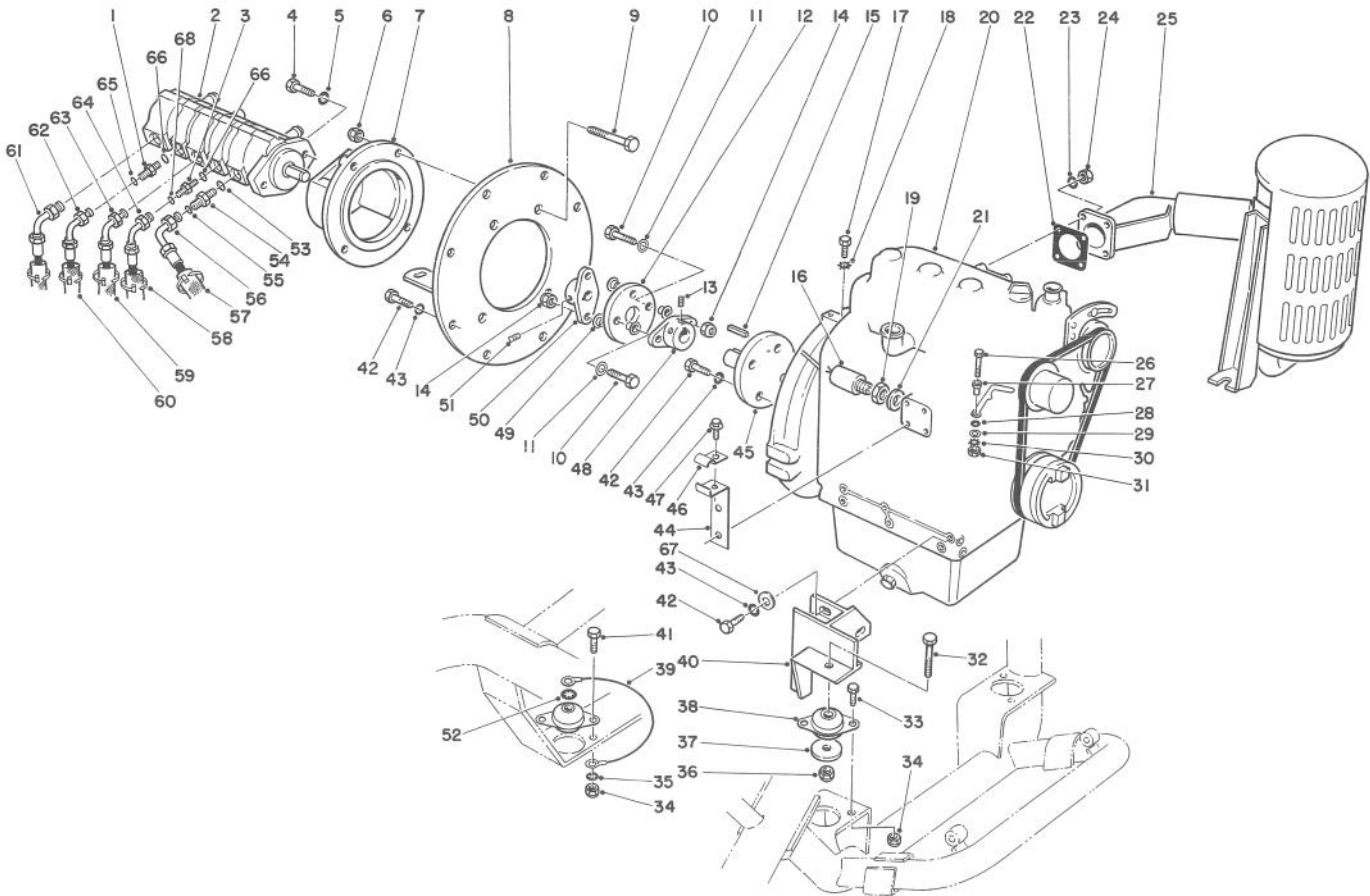
T-0646

ENGINE INSTALLATION ASSEMBLY

Ref. No.	Part No.	Description	No. Used
1	340-1	Fitting - Hydraulic Straight (Incl. Ref. #65 & 66)	1
2	68-4940	Pump - Gear	1
3	340-2	Fitting - Hydraulic Straight (Incl. Ref. #65 & 68)	3
4	323-8	Screw - Cap Hex. Hd.	2
5	3253-29	Washer - Lock	2
6	3296-48	Nut - Lock	4
7	68-4930	Mount - Pump	1
8	68-4960	Plate - Flywheel	1
9	324-7	Screw - Cap Hex. Hd.	4
10	322-6	Screw - Cap Hex. Hd.	4
11	3256-23	Washer - Plain	4
12	44-2230	Coupling - Rubber	1
13	3241-2	Screw - Sq. Hd. Set	2
14	3296-29	Nut - Lock	4
15	10-7070	Key	1
16	63-7440	Solenoid - Stop	1
17	70-8470	Screw	1
18	3255-16	Washer - E.T.L.W.	1
19	43-2750	Nut - Jam	1
20	68-4950	Engine Assembly	1
21	43-2740	Gasket - Solenoid	1
22	67-4570	Gasket - Muffler <i>42-9110</i>	1
23	42-9850	Washer - Lock	4
24	48-7930	Nut	4
25	68-5080	Muffler - Exhaust	1

Ref. No.	Part No.	Description	No. Used
26	67-5110	Bolt	1
27	67-5100	Bushing	1
28	67-5120	Washer - Spring	1
29	67-5130	Washer - Flat	1
30	67-5140	Washer - Serrated	1
31	67-5150	Nut	1
32	323-11	Screw - Cap Hex. Hd.	4
33	322-4	Screw - Cap Hex. Hd.	7
34	3296-29	Nut - Lock	8
35	3254-2	Washer - I.T.L.W.	1
36	3296-59	Nut - Lock	4
37	63-7400	Washer - Rebound	4
38	63-7140	Mount - Shock	4
39	70-8220	Cable - Ground	1
40	68-4990	Bracket - Engine R.H.	1
*	68-5050	Bracket - Engine L.H.	1
41	322-5	Screw - Cap Hex. Hd.	1
42	63-7790	Screw	18
43	48-9590	Washer - Lock	18
44	68-5090	Support - Throttle Cable	1
45	68-4920	Hub - P.T.O.	1
46	2412-31	Clip - Cable	1
47	12-3270	Screw - Washer Hd.	1
48	27-1960	Hub	1
49	27-6600	Spacer	4
50	27-1970	Hub	1
51	3241-6	Screw - Sq. Hd. Set	2

*Not Illustrated



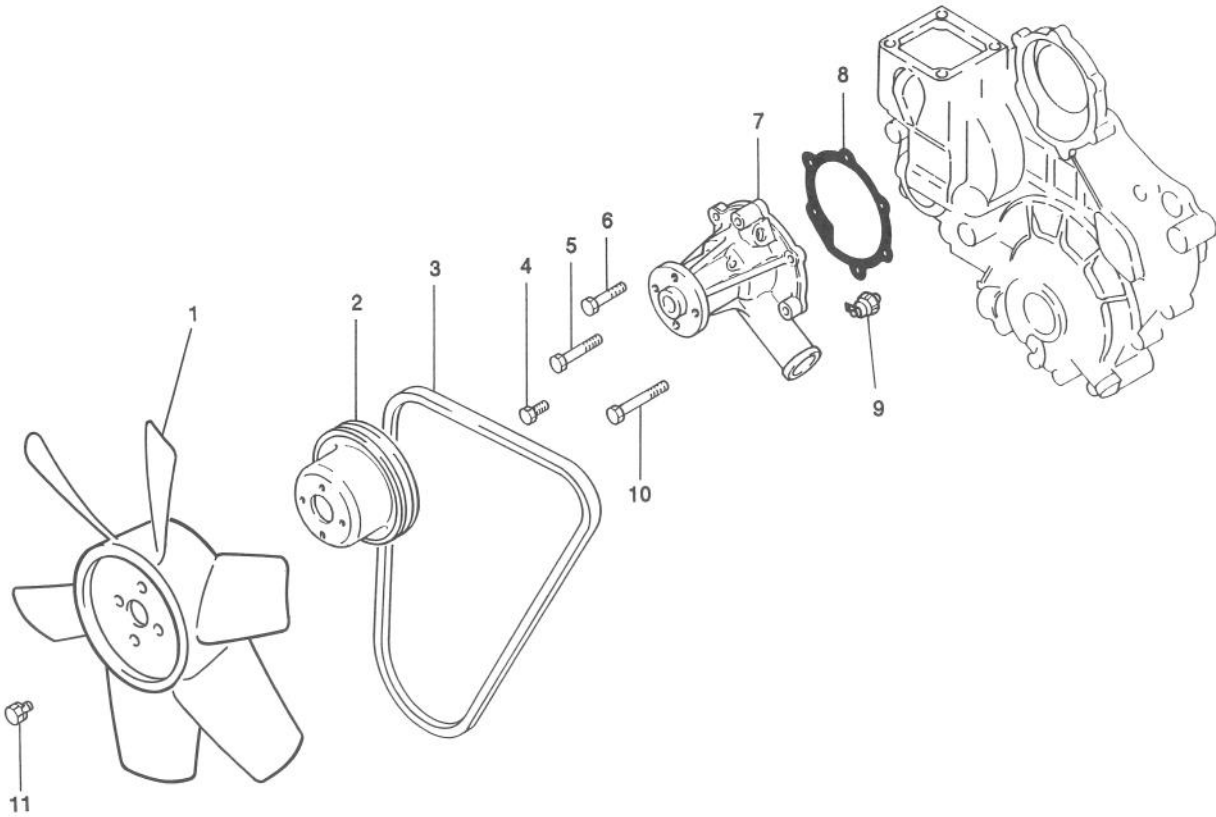
T-0646

ENGINE INSTALLATION ASSEMBLY (Continued)

Ref. No.	Part No.	Description	No. Used
52	3254-6	Washer - I.T.L.W.	1
53	237-80	Seal - O-Ring	1
54	340-6	Fitting - Hydraulic Straight (Incl. Ref. #53 & 55)	1
55	237-30	Seal - O-Ring	1
56	68-5810	Hose - Hydraulic	1
57	56-7984	Sleeve - Protective	1
58	3290-378	Tie - Cable	10
59	70-8450	Sleeve - Protective	3
60	70-8445	Sleeve - Protective	1

Ref. No.	Part No.	Description	No. Used
61	68-5850	Hose - Hydraulic	1
62	68-5840	Hose - Hydraulic	1
63	68-5770	Hose - Hydraulic	1
64	68-5710	Hose - Hydraulic	1
65	237-35	Seal - O-Ring	1
66	237-42	Seal - O-Ring	4
67	3256-24	Washer	6
68	237-22	Seal - O-Ring	3
*	70-8550	Spark Arrester (Optional)	1

*Not Illustrated

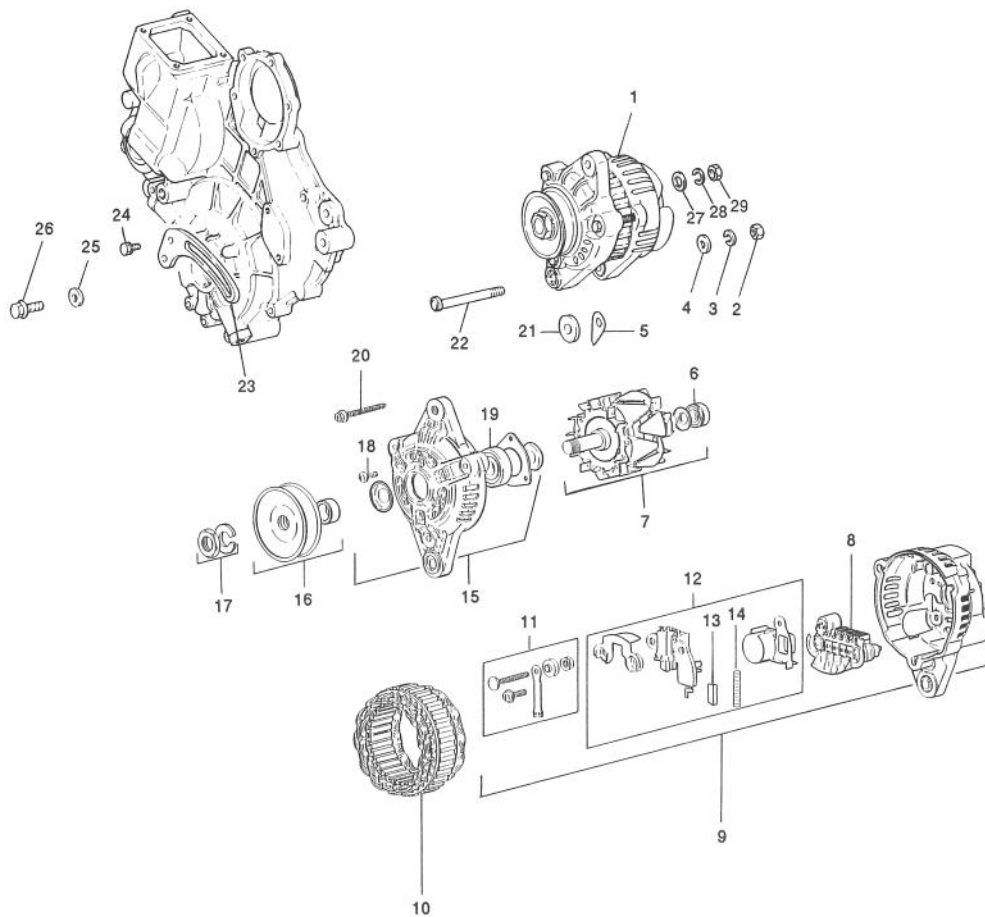


T-0614

WATER PUMP ASSEMBLY

Ref. No.	Part No.	Description	No. Used
1	70-8730	Fan	1
2	67-4370	Pulley	1
3	67-4410	Belt - V	1
4	67-2330	Bolt	2
5	67-4400	Bolt	1
6	67-2600	Bolt	1

Ref. No.	Part No.	Description	No. Used
7	70-8740	Pump Assembly	1
8	67-4390	Gasket	1
9	67-4350	Oil Pressure Switch Assy.	1
10	67-2610	Bolt	2
11	42-9490	Bolt & Washer	4

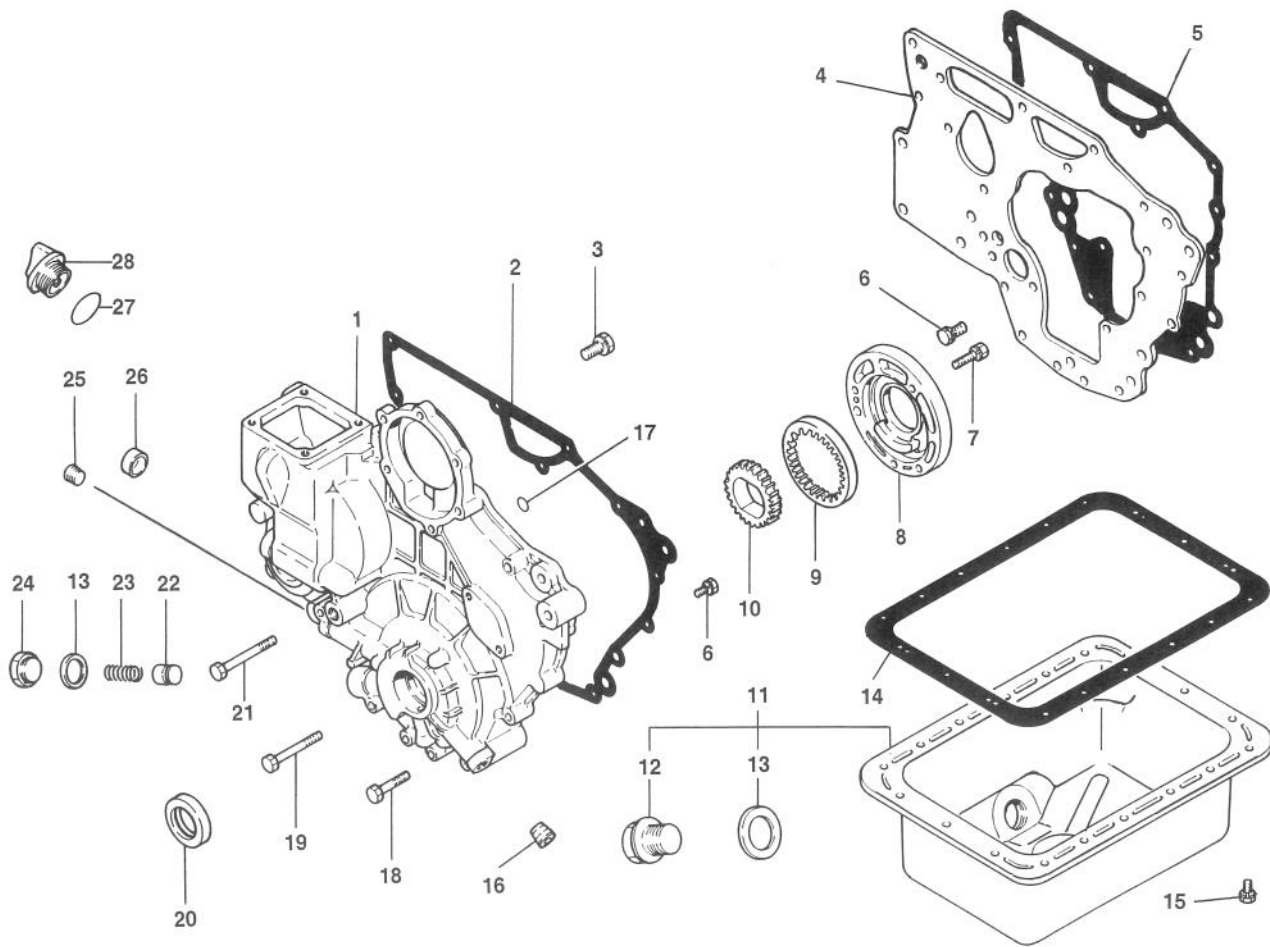


T-0573

ALTERNATOR ASSEMBLY

Ref. No.	Part No.	Description	No. Used
1	67-4630	Alternator Assembly (Incl. Ref. #6-17)	1
2	67-4670	Nut	1
3	67-3260	Washer	1
4	42-9660	Washer	1
5	43-0370	Shim	1
6	67-4870	Bearing - Rear	1
7	67-4860	Rotor Assembly (Incl. Ref. #6)	1
8	67-4930	Rectifier Assembly	1
9	67-4890	Rear Bracket Assembly (Incl. Ref. #8, 11 & 12)	1
10	67-4880	Stator Assembly	1
11	67-4900	Terminal Set	1
12	67-4910	Regulator Assembly (Incl. Ref. #13 & 14)	1
13	67-4920	Brush	2

Ref. No.	Part No.	Description	No. Used
14	43-0510	Spring - Brush	2
15	67-4830	Front Bracket Assembly (Incl. Ref. #18 & 19)	1
16	67-4810	Pulley Set	1
17	43-1920	Nut - Special	1
18	67-4840	Screw Set	1
19	67-4850	Bearing - Front	1
20	67-4820	Bolt Set	1
21	67-4620	Spacer	1
22	67-4640	Bolt	1
23	67-4650	Brace	1
24	42-9440	Bolt & Washer	1
25	54-8660	Washer	1
26	67-4660	Bolt - Flange	1
27	5-3637	Washer - Flat	1
28	43-5920	Washer - Lock	1
29	43-5970	Nut - Hex.	1



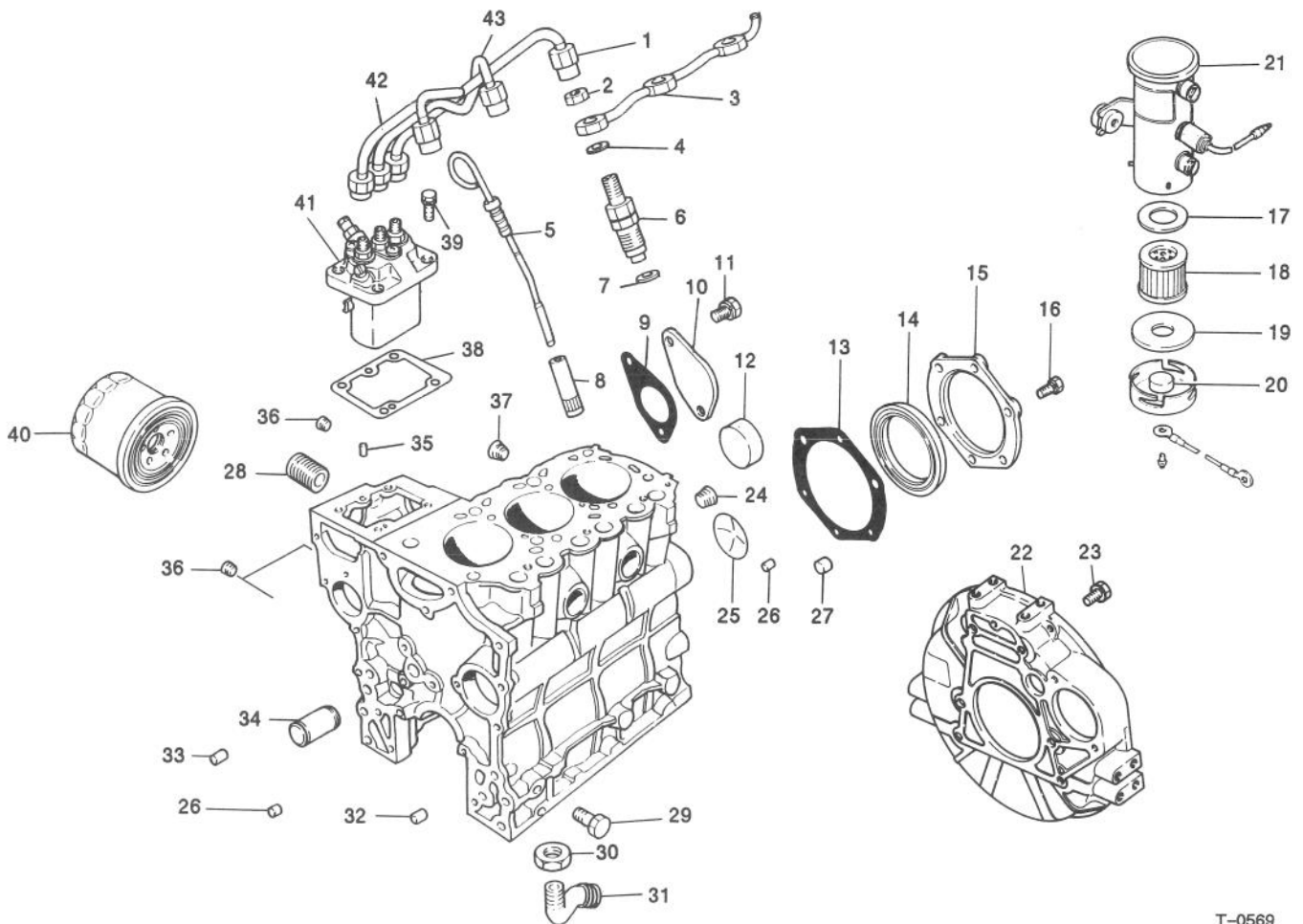
T-0613

CRANKCASE ASSEMBLY

Ref. No.	Part No.	Description	No. Used
1	67-2490	Crankcase Sub-Assembly	1
2	67-2580	Gasket - Case	1
3	67-2340	Bolt & Washer	3
4	67-2310	Plate	1
5	67-2320	Gasket - Plate	1
6	42-9440	Bolt & Washer	11
7	67-2560	Bolt & Washer	3
8	67-2550	Housing - Oil Pump	1
9	67-2540	Gear - Outer	1
10	67-2530	Gear - Inner	1
11	67-2470	Oil Pan Assembly (Incl. Ref. # 15 & 16)	1
12	42-9260	Plug	1
13	42-7290	Gasket - Oil Drain	2
14	67-2480	Gasket - Oil Pan	1
15	42-9490	Bolt & Washer	18

Ref. No.	Part No.	Description	No. Used
16	42-7210	Plug	1
17	67-2630	Seal - O-Ring	2
18	67-2600	Bolt	3
19	67-2610	Bolt	4
20	67-2590	Seal - Oil	1
21	67-2620	Bolt	1
22	67-2500	Plunger	1
23	67-2510	Spring	1
24	67-2520	Plug	1
25	67-2570	Plug	1
26	67-2640	Cap	1
27	67-2660	Seal - O-Ring	1
28	67-2650	Oil Fill Cap Assembly (Incl. Ref. #27)	1
*	70-8790	Gasket Kit (Incl. Ref. #2,5,13 & 14)	1

*Not Illustrated



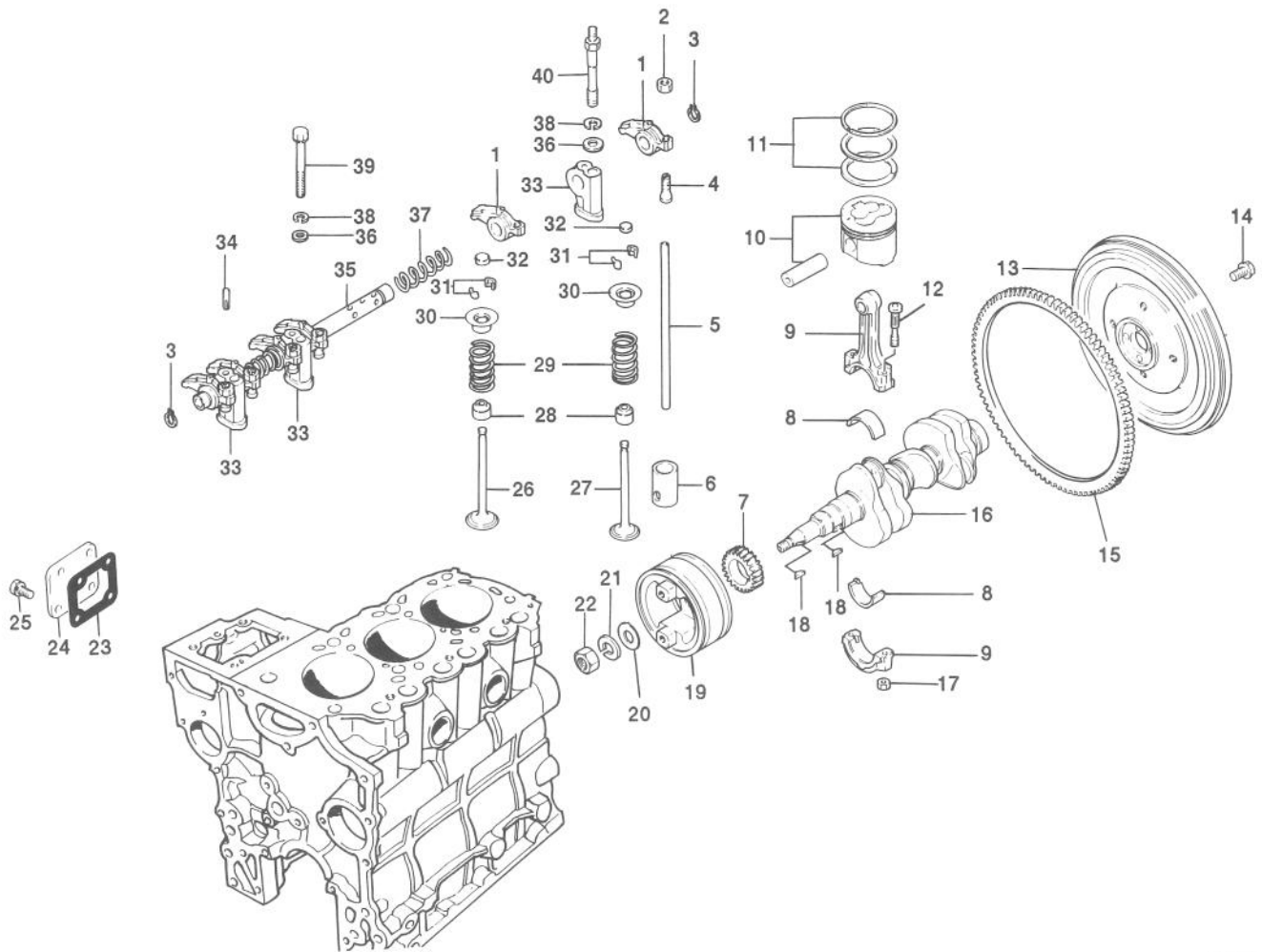
T-0569

FUEL SUPPLY & ENGINE BLOCK ASSEMBLY

Ref. No.	Part No.	Description	No. Used
1	67-3420	Pipe Assembly No. 3	1
2	67-3430	Nut	3
3	70-8700	Pipe - Fuel Return	1
4	67-3440	Gasket	3
5	67-2450 72-6970	Dipstick	1
6	67-3380	Nozzle & Holder Assembly	1
7	67-3390	Gasket	3
8	67-2220	Guide	1
9	67-2300	Gasket	1
10	67-2290	Cover	1
11	67-2340	Bolt & Washer	2
12	56-0020	Plug	1
13	67-2280	Gasket	1
14	67-2230	Seal - Oil	1
15	67-2270	Case	1
16	67-2330	Bolt	6
17	43-2570	Gasket	1
18	43-2550	Filter	1
19	43-2560	Gasket	1
20	43-2580	Magnet	1
21	53-8150	Pump Assembly (Incl. Ref. #17-20)	1
22	70-8890	Housing - Flywheel	1
23	67-2440	Bolt & Washer	9
24	67-2390	Plug	1
25	67-2350	Plug	1
26	67-2360	Bushing	2

Ref. No.	Part No.	Description	No. Used
27	67-2380	Bushing	3
28	56-1230	Shaft - Oil Filter	1
29	67-2460	Bolt	4
30	42-9650	Nut - Jam	1
31	67-4340	Screen Assembly (Incl. Ref. #30)	1
32	67-2370	Bushing	1
33	42-7190	Bushing	1
34	67-2260	Shaft - Idler	1
35	56-0220	Pin	2
36	67-2210	Plug	3
37	56-0100	Plug	1
38	67-3280	Shim - 0.2	1
*	67-3290	Shim - 0.3	1
*	67-3300	Shim - 0.4	1
*	67-3310	Shim - 0.5	1
*	67-3320	Shim - 0.6	1
*	67-3330	Shim - 0.7	1
*	67-3340	Shim - 0.8	1
*	67-3350	Shim - 0.9	1
*	67-3360	Shim - 1.0	1
39	67-3370	Bolt & Washer	4
40	67-4330	Oil Filter Assembly	1
41	70-8690	Pump Assembly	1
42	67-3400	Pipe Assembly No. 1	1
43	67-3410	Pipe Assembly No. 2	1

*Not Illustrated



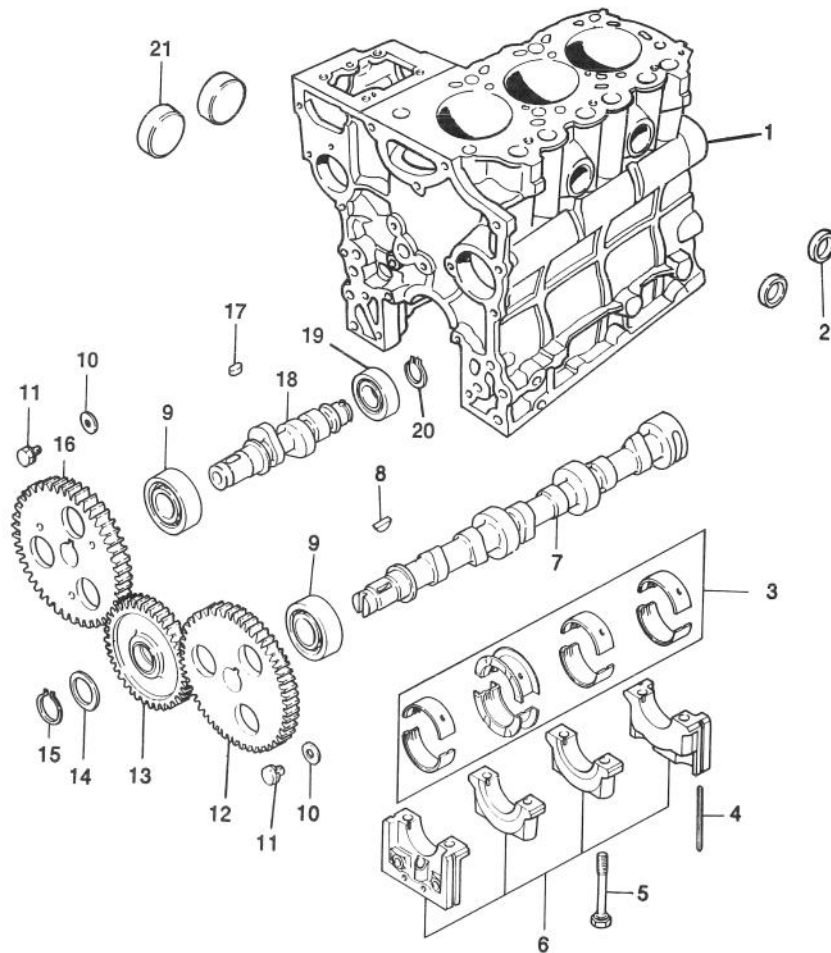
T-0611

VALVES & CRANKSHAFT ASSEMBLY

Ref. No.	Part No.	Description	No. Used
1	67-3160	Arm - Rocker	6
2	67-3230	Nut - Jam	6
3	67-3040	Ring - Snap	2
4	67-3210	Screw - Adjusting	6
5	67-3150	Rod - Push	6
6	67-3120	Tappet	6
7	67-2910	Gear	1
8	67-2880	Bearing Set - Std.	1
*	67-2890	Bearing Set - 0.25 U.	1
*	67-2900	Bearing Set - 0.50 U.	1
9	70-8860	Connecting Rod Assembly (Incl. Ref. #8, 9, 12 & 17)	3
10	70-8830	Piston & Pin Set - Std.	1
*	70-8840	Piston & Pin Set - 0.25 O.	1
*	70-8850	Piston & Pin Set - 0.50 O.	1
11	70-8800	Piston Ring Set - Std.	1
*	70-8810	Piston Ring Set - 0.25 O.	1
*	70-8820	Piston Ring Set - 0.50 O.	1
12	67-2860	Bolt	6
13	67-2970	Flywheel Assembly (Incl. Ref. #15)	1
14	67-2990	Bolt	4
15	67-2980	Gear - Ring	1
16	67-2920	Crankshaft	1

Ref. No.	Part No.	Description	No. Used
17	42-9590	Nut	6
18	56-0480	Key - Woodruff	2
19	70-8680	Pulley - Crankshaft	1
20	67-2950	Washer	1
21	67-2960	Washer - Lock	1
22	67-2940	Nut - Jam	1
23	67-4310	Gasket	1
24	67-4250	Cover	1
25	42-9440	Bolt & Washer	4
26	67-3130	Valve - Intake	3
27	67-3140	Valve - Exhaust	3
28	42-7870	Seal	6
29	67-3110	Spring	6
30	67-3100	Retainer	6
31	42-7860	Lock	12
32	67-3180	Cap	6
33	67-3200	Stay - Rocker	3
34	67-3220	Pin	1
35	67-3190	Rocker Shaft Assembly	1
36	42-9660	Washer	3
37	67-3170	Spring	2
38	67-3260	Washer	3
39	42-9510	Bolt	1
40	67-3250	Bolt - Rocker Stay	2

*Not Illustrated



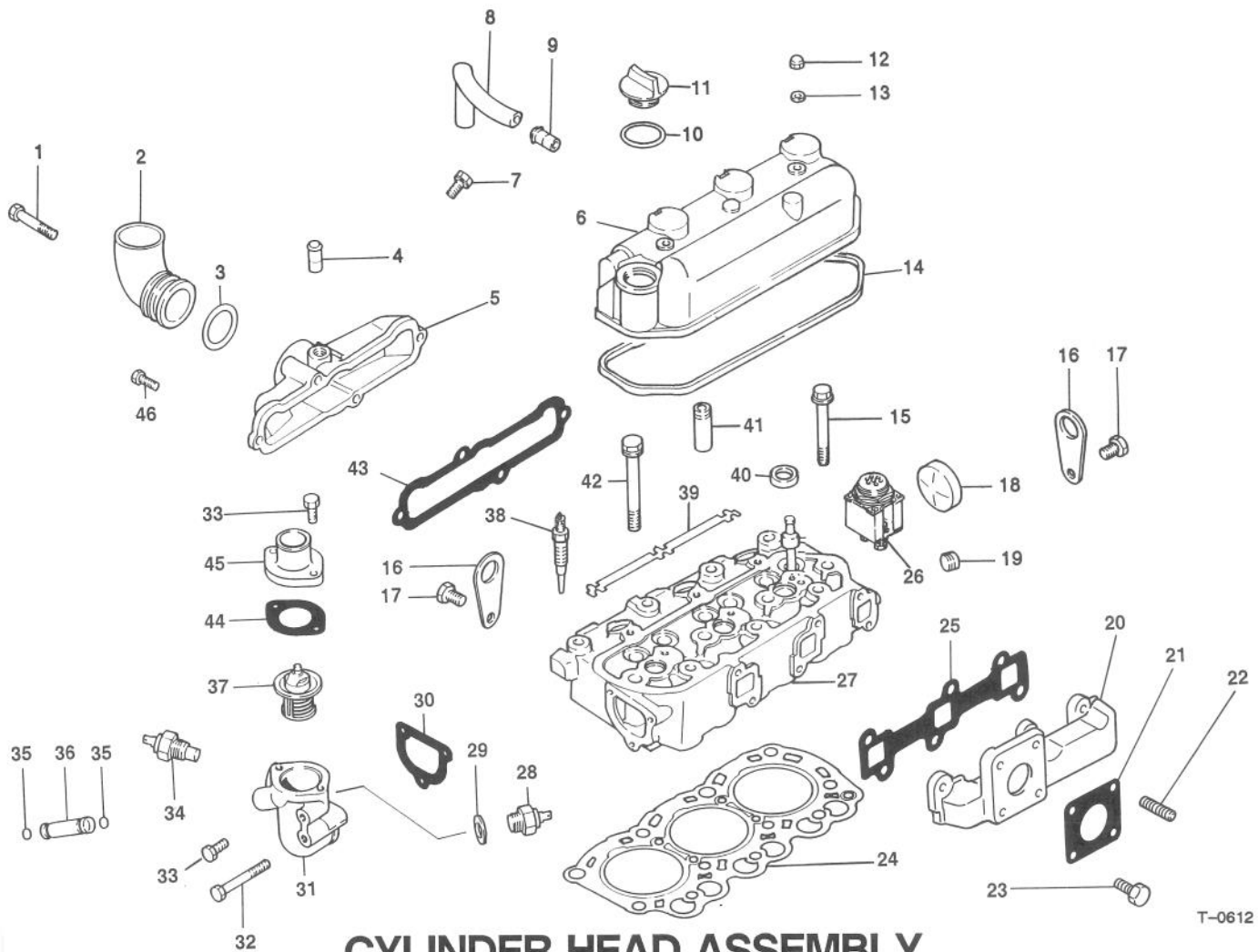
CAMSHAFT ASSEMBLY

T-0610

Ref. No.	Part No.	Description	No. Used
1	70-8650	Block - Sub-Assembly Incl. Ref. # 2, 5, 6 & 21)	1
2	42-7080	Cap	2
3	67-2400	Bearing Set - Std.	1
*	67-2410	Bearing Set - 0.25	1
*	67-2420	Bearing Set - 0.50	1
4	67-2200	Seal	4
5	67-2250	Bolt	8
6		Cap Assembly	1
7	67-3010	Camshaft	1
8	56-0480	Key - Woodruff	1
9	67-3030	Bearing	2

Ref. No.	Part No.	Description	No. Used
10	67-3000	Washer	2
11	42-9490	Bolt & Washer	2
12	67-3020	Gear	1
13	67-3090	Gear Assembly	1
14	67-3040	Plate	1
15	56-1060	Ring - Snap	1
16	67-3070	Gear	1
17	42-7840	Key	1
18	67-3060	Shaft	1
19	67-3050	Bearing	1
20	67-3080	Ring - Snap	1
21	56-0020	Plug	2

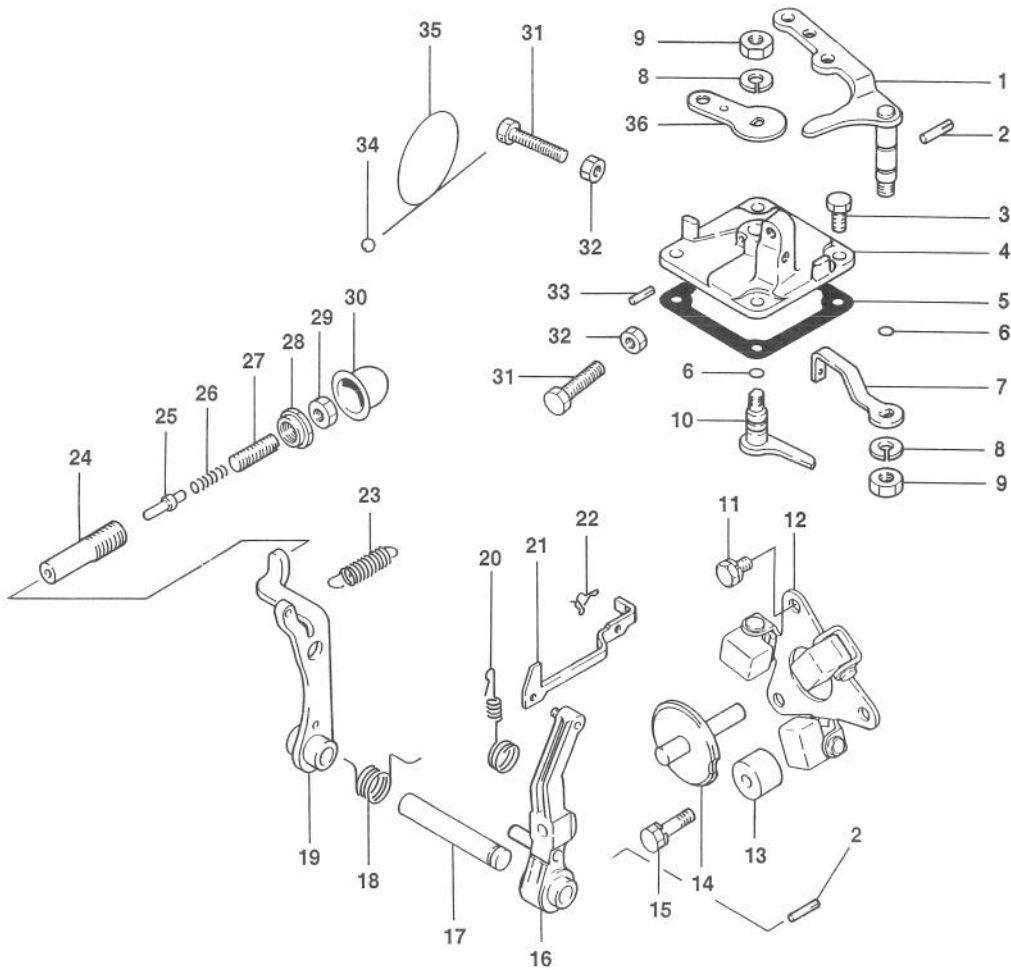
*Not Illustrated



CYLINDER HEAD ASSEMBLY

Ref. No.	Part No.	Description	No. Used
1	67-4400	Bolt	2
2	67-4520	Pipe	1
3	67-4540	Seal - O-Ring	1
4	42-7510	Pipe	1
5	67-4530	Cover - Intake (Incl. Ref. #4)	1
6	67-2750	Cover Assembly (Incl. Ref. #9)	1
7	42-9430	Bolt & Washer	1
8	67-2670	Hose - Breather	1
9	42-7510	Pipe	1
10	67-2660	Seal - O-Ring	1
11	67-2650	Oil Filler Cap Assembly (Incl. Ref. #10)	1
12	67-2770	Nut - Cap	2
13	67-2780	Washer	2
14	67-2760	Gasket	1
15	67-2140	Bolt - Flange	3
16	67-2680	Hanger - Engine	2
17	67-2340	Bolt & Washer	2
18	56-0020	Plug - Expansion	1
19	67-2570	Plug - Taper	1
20	70-8750	Manifold - Exhaust	1
21	42-9110	Gasket	1
22	42-9570	Stud	4

Ref. No.	Part No.	Description	No. Used
23	67-4590	Bolt	6
24	70-8670	Gasket - Cylinder Head	1
25	67-4570	Gasket - Exhaust Manifold	1
26	67-4700	Lamp - Glow	1
27	70-8660	Cylinder Head Assembly (Incl. Ref. #18 & 40-41)	1
28	67-4500	Switch - Thermal	1
29	67-4490	Gasket	1
30	67-4460	Gasket - Thermostat Fitting	1
31	67-4450	Fitting - Thermostat	1
32	67-4470	Bolt	1
33	67-2330	Bolt	4
34	67-4510	Nut - Temperature Gauge	1
35	43-2710	Seal - O-Ring	2
36	67-4480	Pipe - By-Pass	1
37	67-4440	Thermostat	1
38	67-4680	Plug - Glow	3
39	67-4690	Plate - Glow Plug	1
40	67-2710	Cap - Sealing	3
41	67-2700	Guide - Valve	6
42	67-2730	Bolt	8
43	67-4550	Gasket - Intake Manifold	1
44	67-4430	Gasket - Water Outlet Fitting	1
45	67-4420	Fitting - Water Outlet	1
46	67-2330	Bolt	2



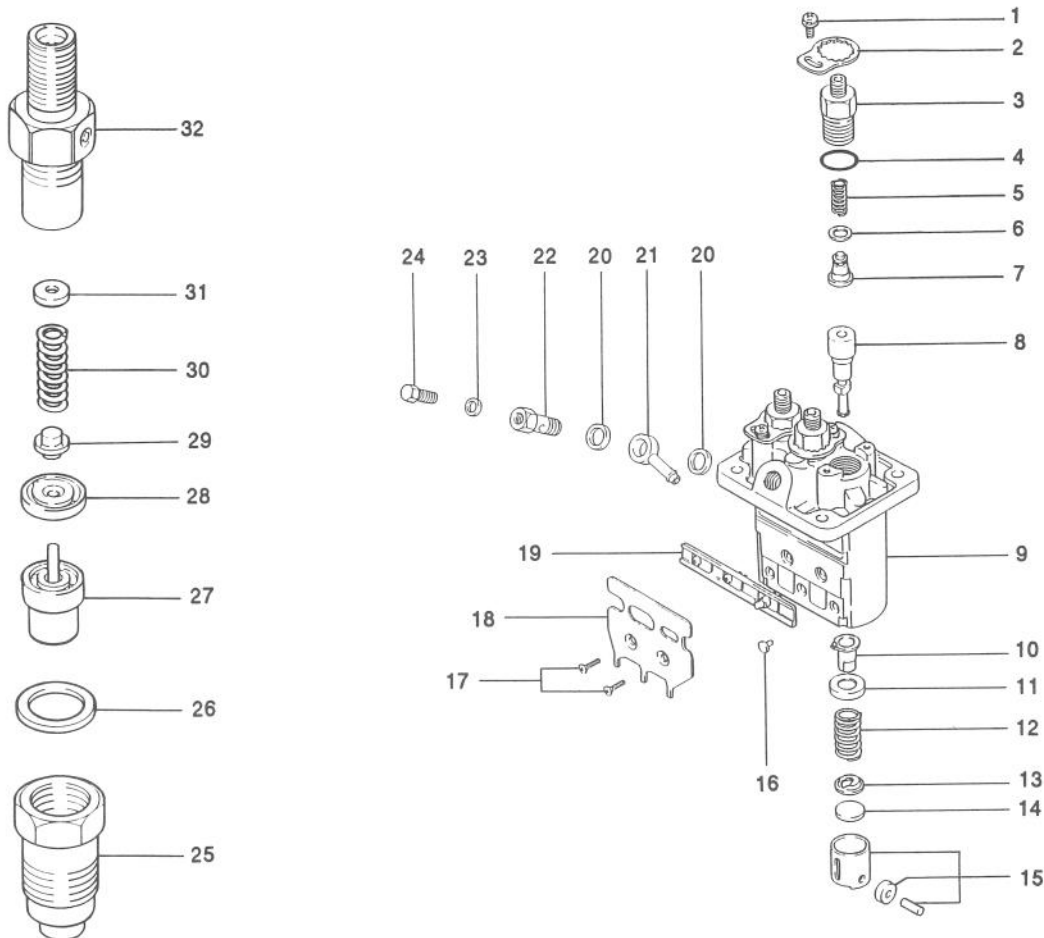
T-0615

GOVERNOR ASSEMBLY

Ref. No.	Part No.	Description	No. Used
1	67-3990	Speed Control Lever Assy.	1
2	67-4000	Pin	2
3	67-4270	Bolt	4
4	67-4130	Cover - Governor	1
5	67-4160	Gasket	1
6	42-8830	Seal - O-Ring	2
7	67-4020	Lever - Governor Spring	1
8	67-3260	Washer	2
9	42-9640	Nut - Jam	2
10	67-4140	Stop Lever Assembly	1
11	42-9430	Bolt & Washer	2
12	67-4040	Weight Assembly	1
13	67-4010	Stopper	1
14	67-4070	Sliding Shaft Assembly	1
15	67-4280	Bolt & Washer	1
16	67-4060	Governor Lever Assembly	1
17	67-4050	Shaft	1
18	67-5040	Spring	1
19	67-4090	Tension Lever Assembly	1
20	70-8720	Spring - Tie Rod	1
21	67-4030	Rod - Tie	1

Ref. No.	Part No.	Description	No. Used
22	67-4080	Clip	1
23	67-4260	Spring	1
24	67-4210	Case - Torque Spring	1
25	67-4230	Stopper	1
26	67-4190	Spring - Torque	1
27	67-4220	Screw - Adjusting	1
28	67-4200	Nut - Special	1
29	67-4180	Nut	1
30	67-4240	Cap	2
31	42-9420	Bolt	2
32	67-4290	Nut	2
33	67-4120	Pin	1
34	42-8690	Metal - Sealing	1
35	42-8700	Wire	1
36	67-4150	Lever - Stop	1
*	67-4110	Cover Assembly (Incl. Ref. #4, 6, 8, 9, 10, 33 & 36)	1
*	67-4170	Spring Set (Incl. Ref. #24-29)	1

*Not Illustrated



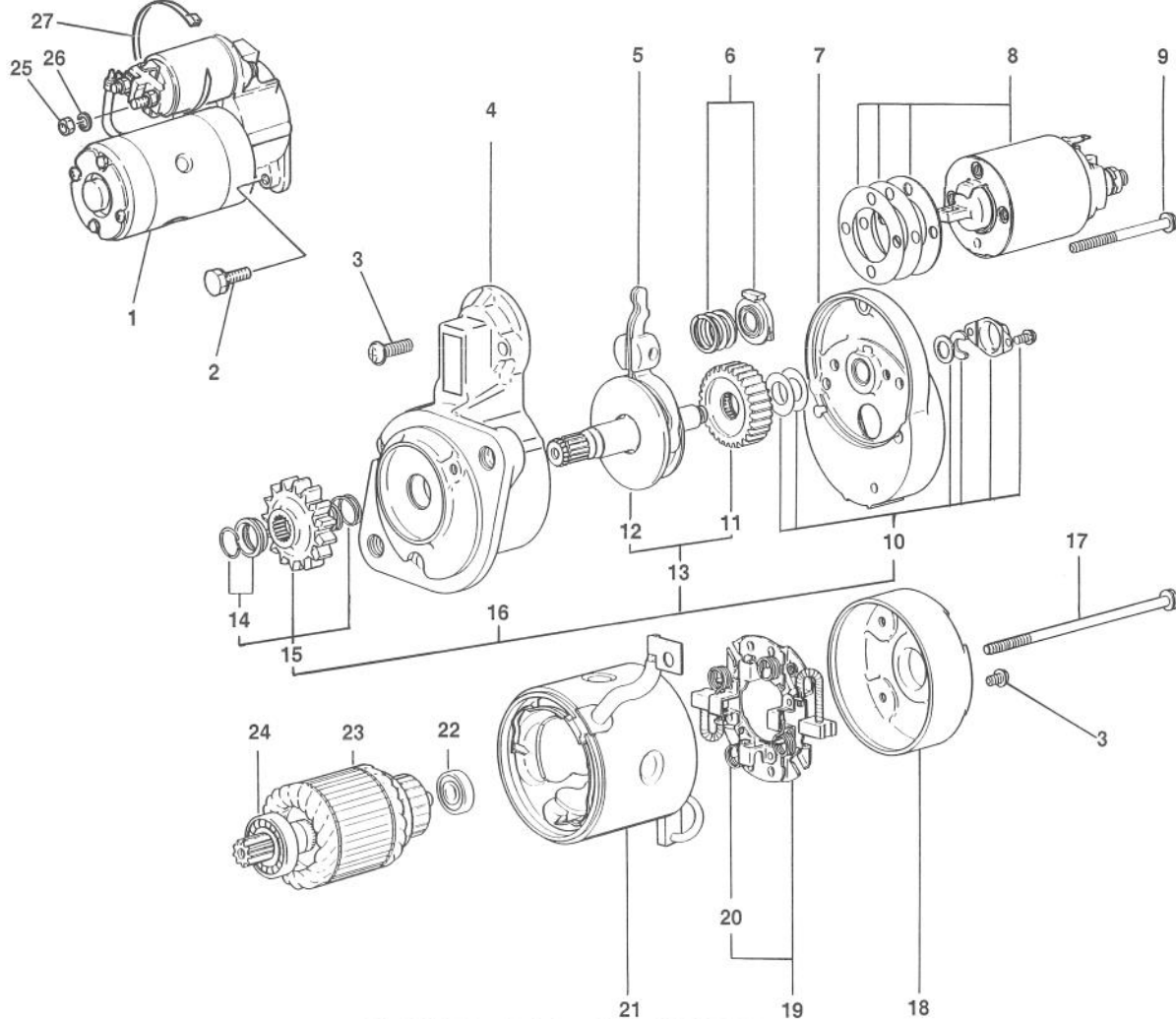
T-0570

FUEL INJECTION PUMP ASSEMBLY

Ref. No.	Part No.	Description	No. Used
1	67-3770	Screw & Washer	3
2	67-3760	Plate - Lock	3
3	67-3470	Holder - Delivery Valve	3
4	67-3480	Seal - O-Ring	3
5	67-3490	Spring	3
6	42-8240	Gasket	3
7	67-6500	Valve	3
8	70-8710	Element	3
9	67-3460	Housing - Pump	1
10	67-3520	Sleeve	3
11	67-3530	Seat	3
12	67-3540	Spring	3
13	67-3550	Seat	3
14	67-3560	Plate - Shim 1.85	1
*	67-3570	Plate - Shim 1.9	1
*	67-3580	Plate - Shim 1.95	1
*	67-3590	Plate - Shim 2.0	1
*	67-3600	Plate - Shim 2.05	1
*	67-3610	Plate - Shim 2.1	1
*	67-3620	Plate - Shim 2.15	1
*	67-3630	Plate - Shim 2.2	1
*	67-3640	Plate - Shim 2.25	1
*	67-3650	Plate - Shim 2.3	1
*	67-3660	Plate - Shim 2.35	1
*	67-3670	Plate - Shim 2.4	1
*	67-3680	Plate - Shim 2.45	1
*	67-3690	Plate - Shim 2.5	1
15	67-3700	Tappet Assembly	3
16	67-3810	Pin	3

*Not Illustrated

Ref. No.	Part No.	Description	No. Used
17	67-3790	Screw	2
18	67-3800	Bracket	1
19	67-3780	Rack Assembly	1
20	67-3750	Washer	2
21	67-37 40	Nipple	1
22	67-3730	Screw	1
23	67-3720	Washer	1
24	67-3710	Screw - Air Bleed	1
25	67-3970	Nut	3
26	67-3980	Gasket	3
27	67-3960	Nozzle Assembly	3
28	67-3950	Piece	3
29	67-3940	Pin	3
30	67-3930	Spring	3
31	67-3830	Washer - 1.25	1
*	67-3840	Washer - 1.3	1
*	67-3850	Washer - 1.35	1
*	67-3860	Washer - 1.4	1
*	67-3870	Washer - 1.45	1
*	67-3880	Washer - 1.5	1
*	67-3890	Washer - 1.55	1
*	67-3900	Washer - 1.6	1
*	67-3910	Washer - 1.65	1
*	67-3920	Washer - 1.7	1
32	67-3820	Body	3
*	70-8690	Pump Assembly (Incl. Ref. #1-24)	1
*	67-3380	Nozzle & Holder Assembly (Incl. Ref. #25-32)	3

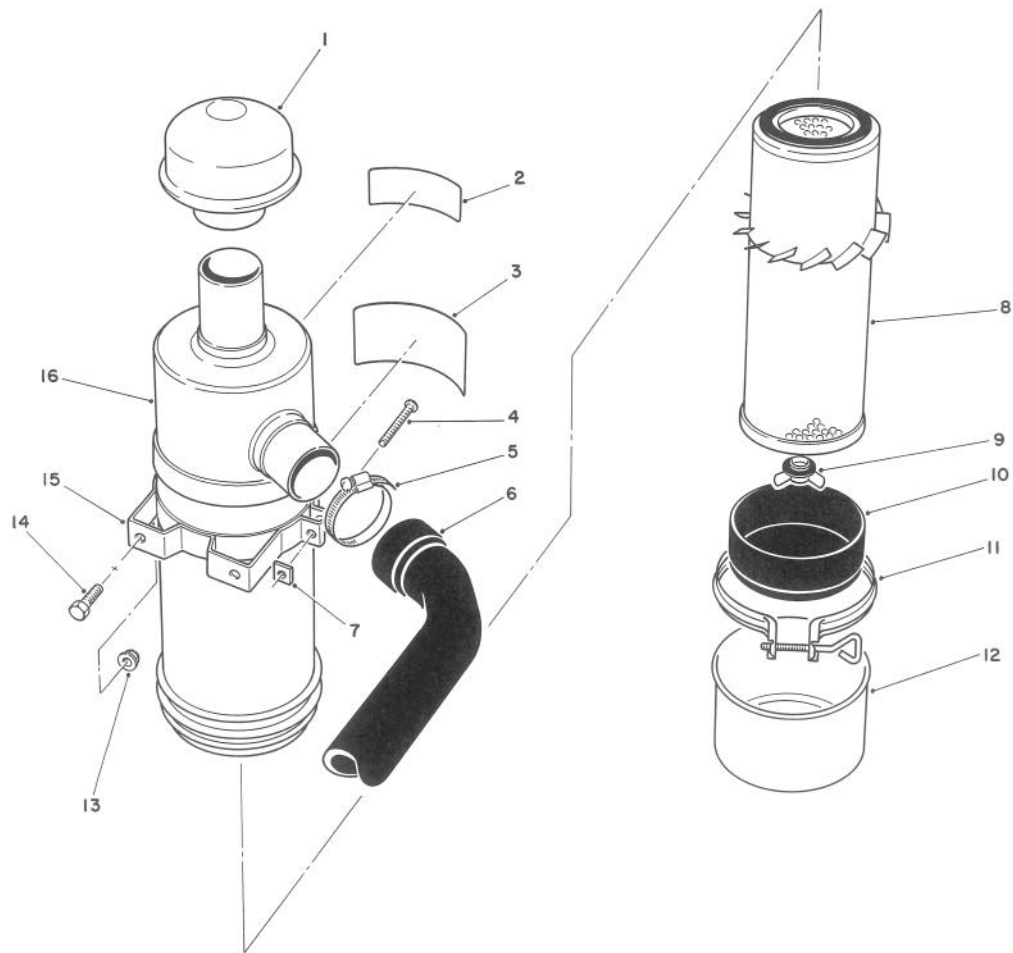


T-0616

STARTER ASSEMBLY

Ref. No.	Part No.	Description	No. Used
1	70-8760	Starter Assembly (Incl. Ref. #3-24)	1
2	67-4610	Bolt & Washer	2
3	56-1510	Screw Set	1
4	70-8770	Front Basket Assembly	1
5	67-4720	Lever Assembly	1
6	67-4730	Spring Set	1
7	70-8780	Center Bracket Assembly	1
8	67-4750	Switch Assembly	1
9	52-1570	Bolt Set	1
10	56-1680	Cover Set	1
11	56-1670	Gear	1
12	67-4790	Shaft Assembly	1
13	67-4780	Gear Set (Incl. Ref. #11 & 12)	1
14	56-1640	Stopper Set	1

Ref. No.	Part No.	Description	No. Used
15	67-4770	Pinion Set (Incl. Ref. #14)	1
16	67-4760	Shaft Assembly (Incl. Ref. #10, 13 & 15)	1
17	56-1610	Bolt	1
18	56-1720	Rear Bracket Assembly	1
19	56-1700	Brush Holder Assembly (Incl. Ref. #20)	1
20	56-1710	Spring - Brush	4
21	67-4800	Yoke Assembly	1
22	56-1600	Bearing - Rear	1
23	56-1580	Armature Set (Incl. Ref. #22 & 24)	1
24	56-1590	Bearing - Front	1
25	57-6390	Nut - Hex.	2
26	42-9850	Washer - Lock	2
27	3290-379	Tie - Cable	2

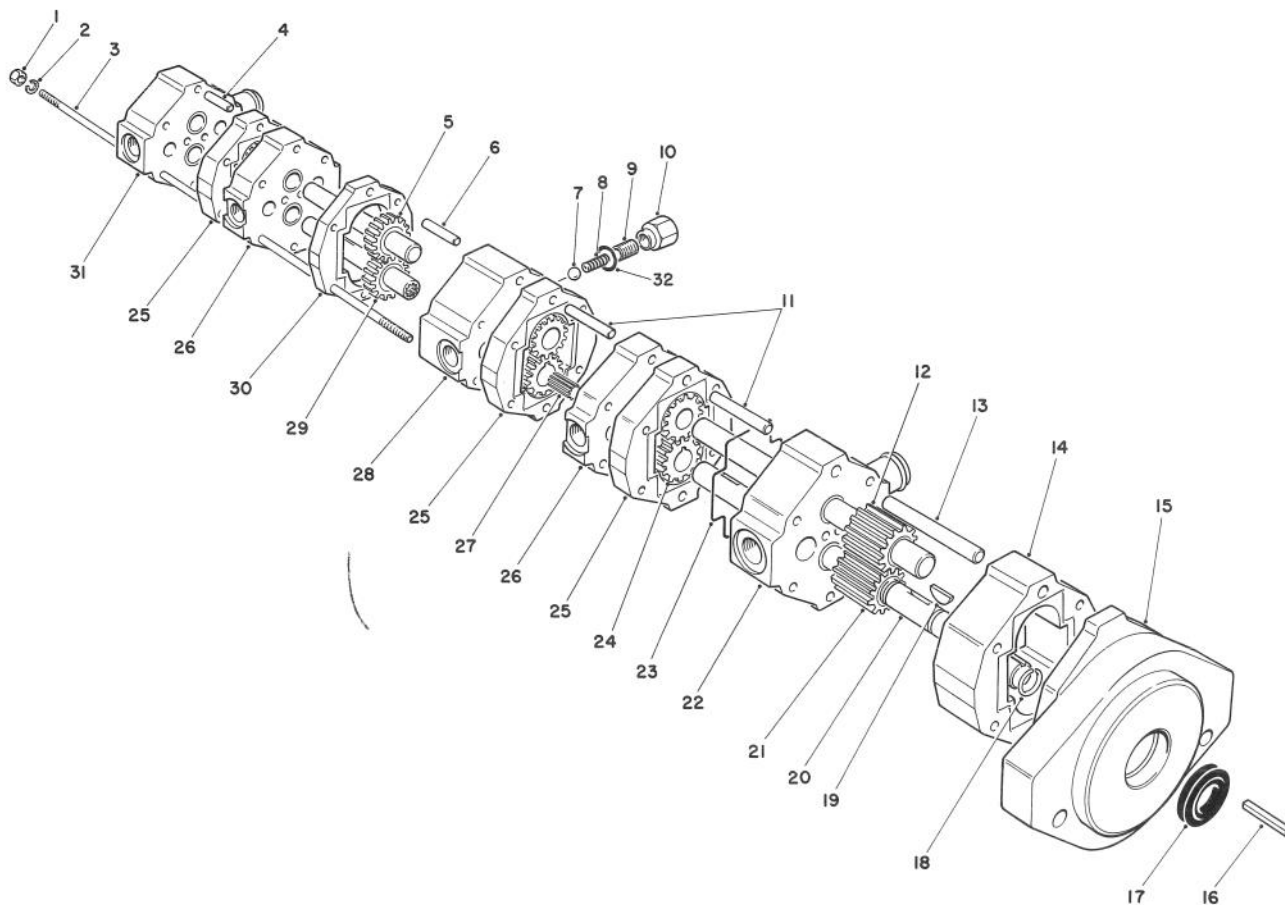


T-0636

AIR CLEANER ASSEMBLY

Ref. No.	Part No.	Description	No. Used
1	27-7180	Cap - Air Cleaner Inlet	1
2	67-1700	Decal - Starting Fluid	1
3	27-7160	Decal - Instructions	1
4	3258-19	Screw - Round Hd.	2
5	2412-42	Clamp - Hose	2
6	68-5900	Hose - Air Cleaner	1
7	32107-11	Nut	2
8	27-7110	Element - Air Cleaner	1
9	27-7120	Nut & Gasket Assembly	1

Ref. No.	Part No.	Description	No. Used
10	27-7140	Skirt - Baffle	1
11	27-7130	Clamp Assembly	2
12	27-7150	Cap Assembly	1
13	32128-20	Nut - Flange Lock	4
14	322-2	Screw - Cap Hex. Hd.	4
15	27-7170	Band Assembly (Incl. Ref. #4 & 7)	2
16	27-7100	Air Cleaner Assembly (Incl. Ref. #3 & 8-12)	1

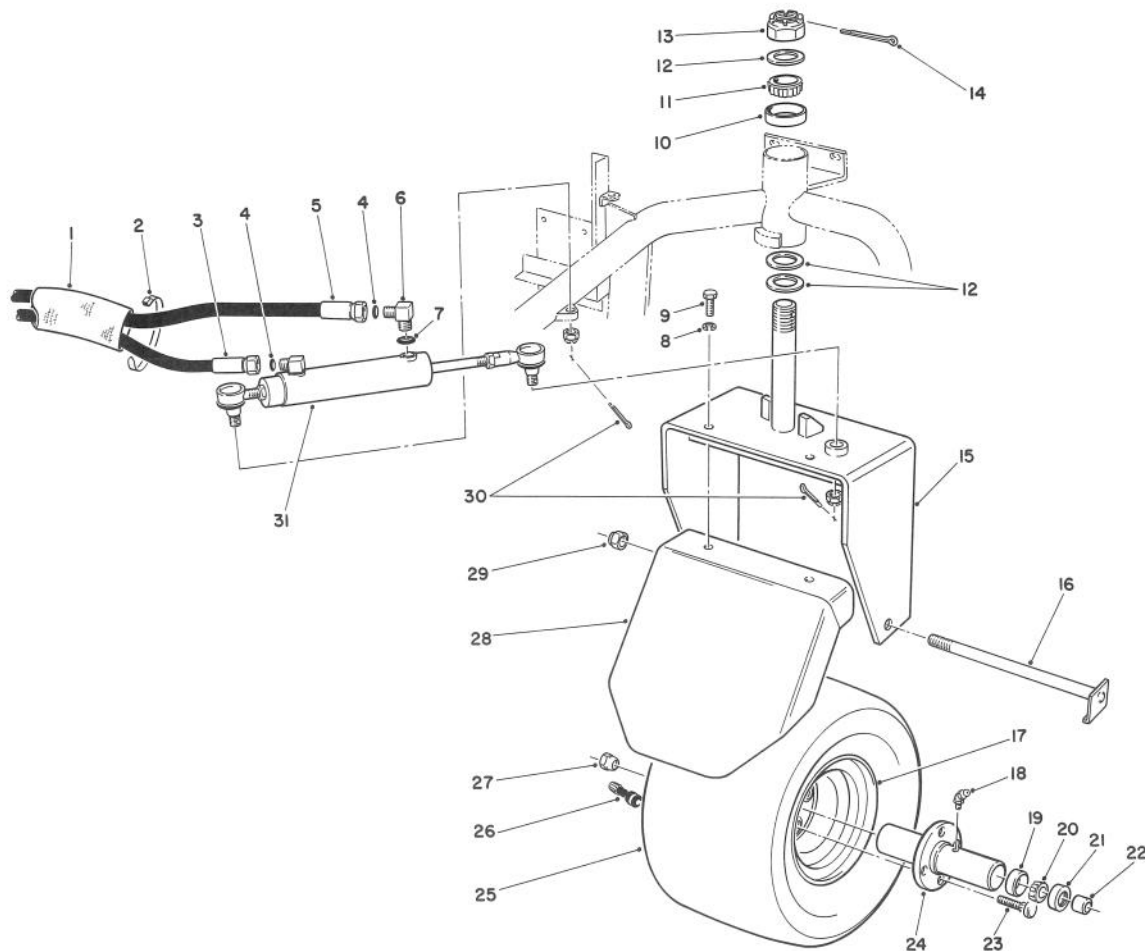


T-0645

HYDRAULIC PUMP NO. 68-4940

Ref. No.	Part No.	Description	No. Used
1	3217-6	Nut - Lock	4
2	354-16	Washer - Lock	4
3	354-17	Stud - Threaded	4
4	354-11	Pin - Dowel	2
5	354-9	Idler Shaft/Gear Assembly	1
6	354-12	Pin - Dowel	2
7	354-38	Ball - Valve	1
8	354-39	Spring - Compression	1
9	354-37	Adjuster - Valve	1
10	354-36	Cap - Valve Adjuster	1
11	354-13	Pin - Dowel	4
12	354-10	Idler Shaft/Gear Assembly	1
13	354-14	Pin - Dowel	2
14	353-971	Plate - Gear 66B	1
15	354-2	Body Assembly	1
16	5-0946	Key - Square	1
17	354-15	Seal - Shaft	1

Ref. No.	Part No.	Description	No. Used
18	353-886	Ring - Retaining	2
19	353-884	Key - Woodruff	4
20	354-1	Shaft - Drive	1
21	353-967	Gear - 66B	1
22	354-3	Bearing Plate Assembly	1
23	353-922	Seal - Ring	10
24	353-967	Gear - 33B	6
25	353-969	Plate - Gear 33B	3
26	353-923	Bearing Plate Assembly	2
27	354-5	Adapter - Splined	1
28	354-4	Bearing Plate Assembly (Incl. Ref. #7-10 & 32)	1
29	354-8	Drive Shaft/Gear Assembly	1
30	354-6	Plate - Gear 18B	1
31	354-7	Cover Assembly	1
32	354-35	Gasket	1

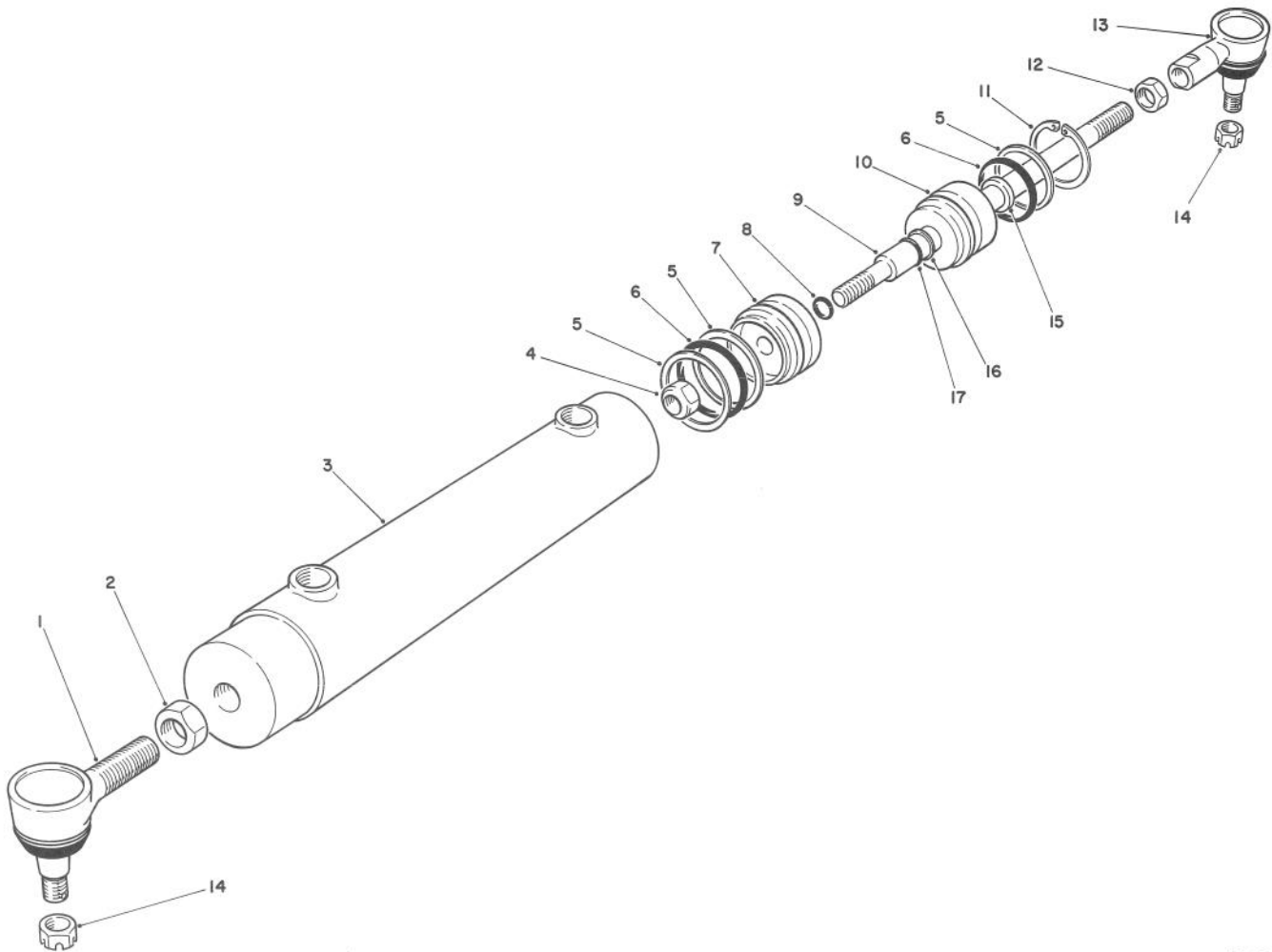


T-0638

REAR WHEEL ASSEMBLY

Ref. No.	Part No.	Description	No. Used
1	56-7983	Sleeve - Protective	1
2	3290-378	Tie - Cable	2
3	68-5750	Hose - Hydraulic	1
4	237-35	Seal - O-Ring	2
5	68-5760	Hose - Hydraulic	1
6	340-132	Fitting - Hydraulic 90° Elbow (Incl. Ref. #4 & 7)	2
7	237-78	Seal - O-Ring	2
8	3253-4	Washer - Lock	2
9	322-3	Screw - Cap Hex. Hd.	2
10	254-61	Cup - Bearing	2
11	254-70	Cone - Bearing	2
12	18-6320	Washer - Thrust	3
13	32136-9	Nut - Castle	1
14	3272-37	Pin - Cotter	1
15	70-8330	Fork - Caster	1

Ref. No.	Part No.	Description	No. Used
16	70-8370	Bolt - Caster Wheel	1
17	242-86	Rim	1
18	302-11	Fitting - Grease (45° Elbow)	1
19	254-79	Cup - Bearing	2
20	254-78	Cone - Bearing	2
21	253-111	Seal - Bearing	2
22	70-8490	Spacer	2
23	10-6830	Stud - Drive	4
24	217-95	Hub	1
25	70-8500	Tire	1
26	232-24	Stem - Valve	1
27	242-50	Nut - Lock	4
28	70-8400	Fender - Rear	1
29	3296-50	Nut - Lock	1
30	3272-6	Pin - Cotter	2
31	68-4770	Cylinder - Hydraulic Steering	1

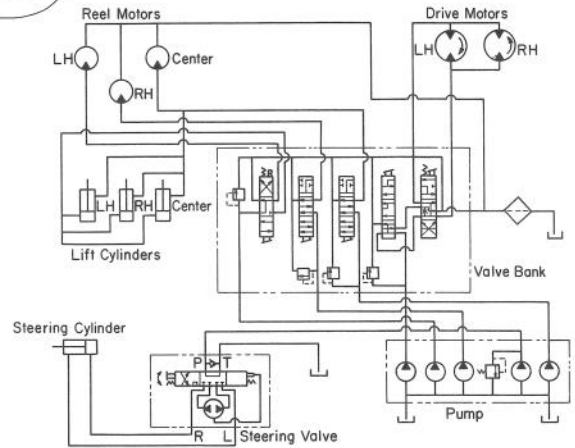
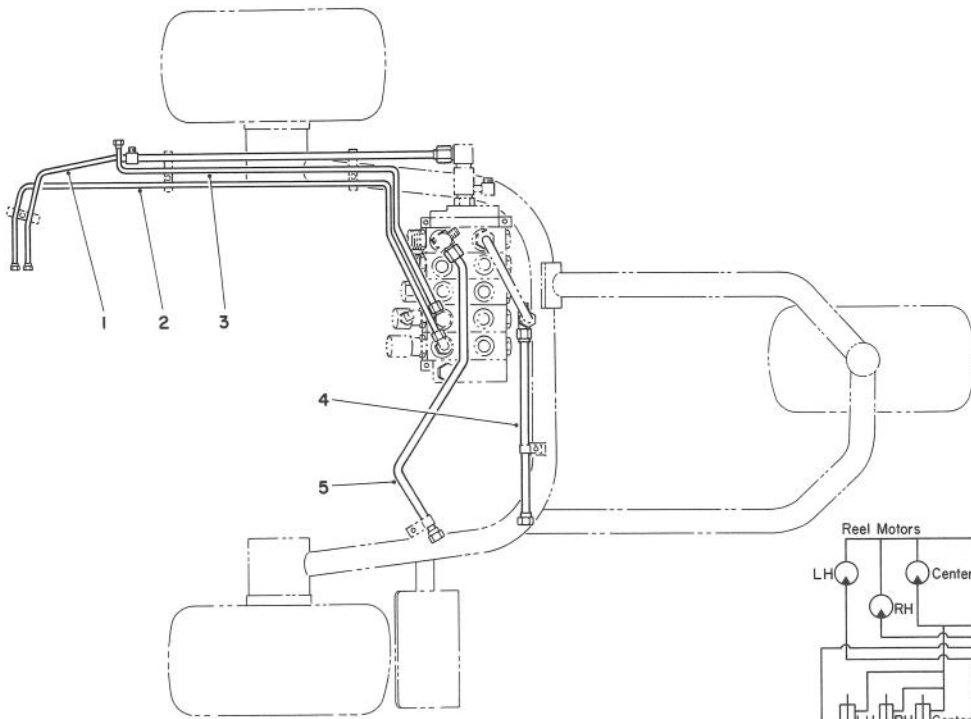


T-0607

HYDRAULIC STEERING CYLINDER

Ref. No.	Part No.	Description	No. Used	Ref. No.	Part No.	Description	No. Used
1	21-0140	Joint - Ball (Incl. Ref. #14)	1	12	3218-5	Nut - Jam	1
2	3219-5	Nut - Jam	1	13	68-5150	Joint - Ball (Incl. Ref. #14)	1
3	68-4820	Barrel	1	14	32136-4	Nut - Castle	2
4	32152-7	Nut - Lock	1	15		Seal - Dust	1
5		Washer - Back-Up	3	16		Washer - Back-Up	1
6		Seal - O-Ring	2	17		Seal - Dust	1
7	68-4790	Piston - Cylinder	1	*	68-4830	Cylinder Repair Kit (Incl. Ref. #5-6, 8 & 14-15)	1
8		Seal - O-Ring	1	*	68-4770	Hydraulic Steering Cylinder (Incl. Ref. # 3-11 & 15-17)	1
9	68-4800	Shaft - Cylinder	1				
10	68-4780	Head - Cylinder	1				
11	68-4810	Ring - Retaining	1				

*Not Illustrated

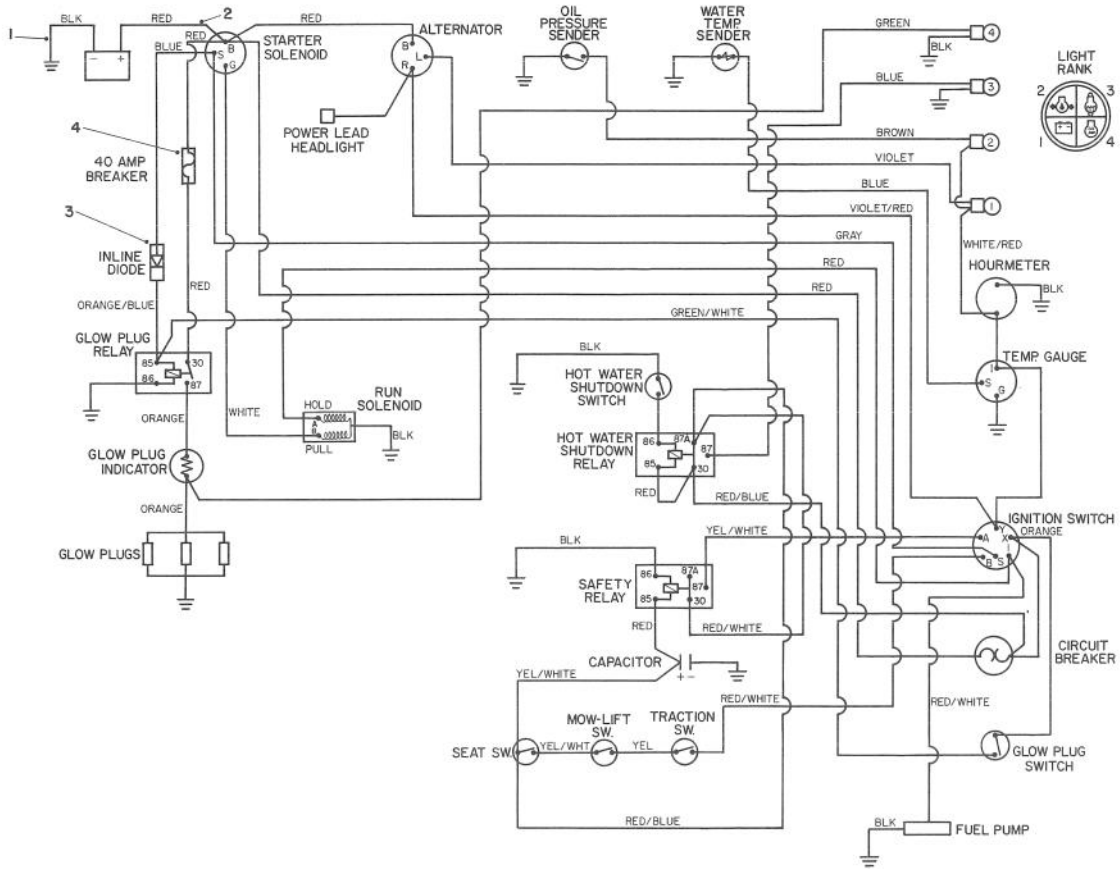


T-0647

HYDRAULIC SYSTEM ASSEMBLY

Ref. No.	Part No.	Description	No. Used
1	63-4040	Tube - Hydraulic	1
2	63-4020	Tube - Hydraulic	1
3	63-4030	Tube - Hydraulic	1

Ref. No.	Part No.	Description	No. Used
4	70-7120	Tube - Hydraulic	1
5	70-8580	Tube - Hydraulic	1



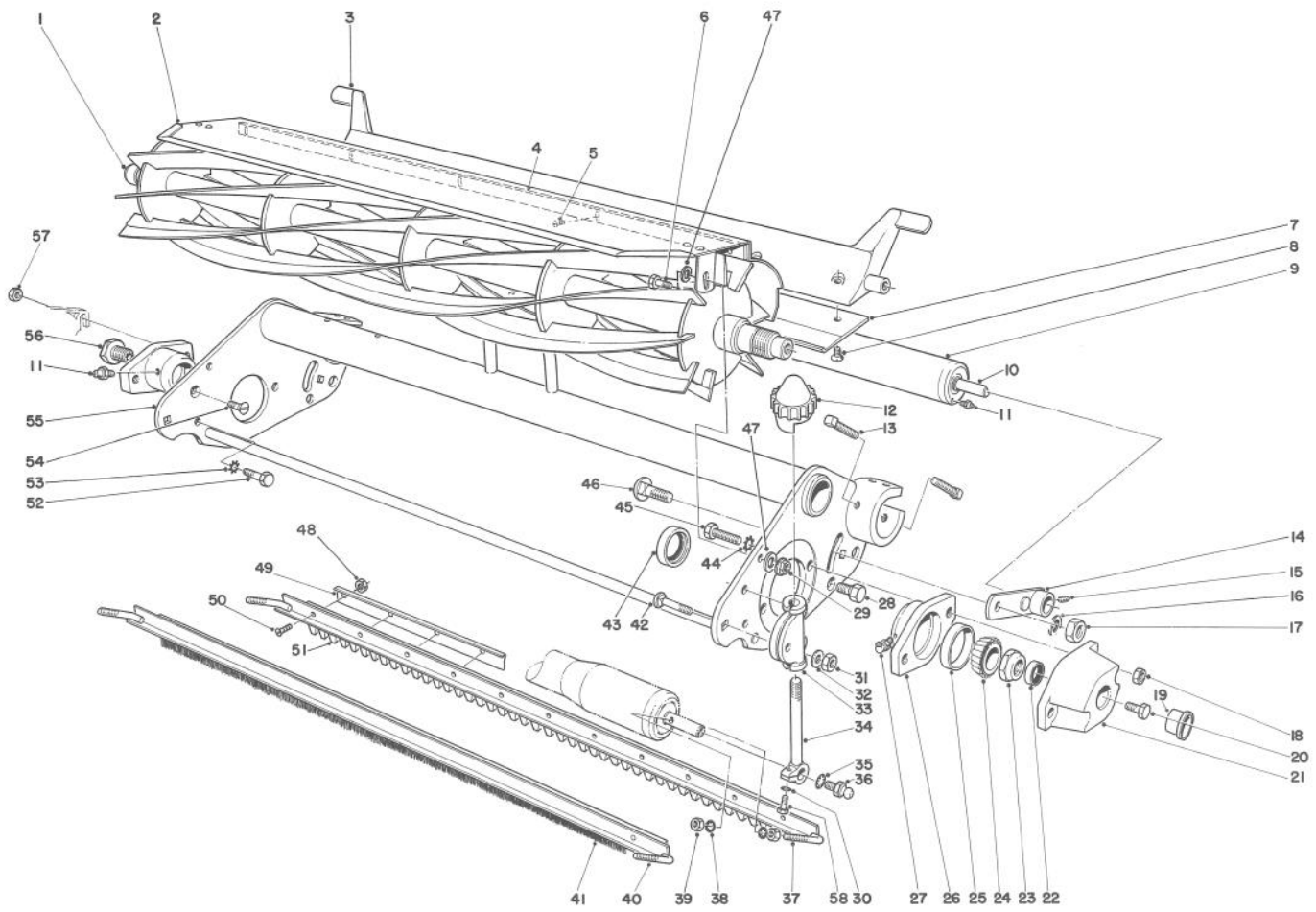
T-0819

ELECTRICAL SCHEMATIC

Ref. No.	Part No.	Description	No. Used
1	68-5500	Cable - Battery (Positive)	1
2	68-5460	Cable - Battery (Negative)	1
3	67-7130	Diode - Inline	1

Ref. No.	Part No.	Description	No. Used
4	70-8570	<i>must order assem.</i>	
*	68-5190	Breaker - Circuit Wire Harness Assembly (Incl. Ref. #3 & 4)	1

*Not Illustrated



T-0307

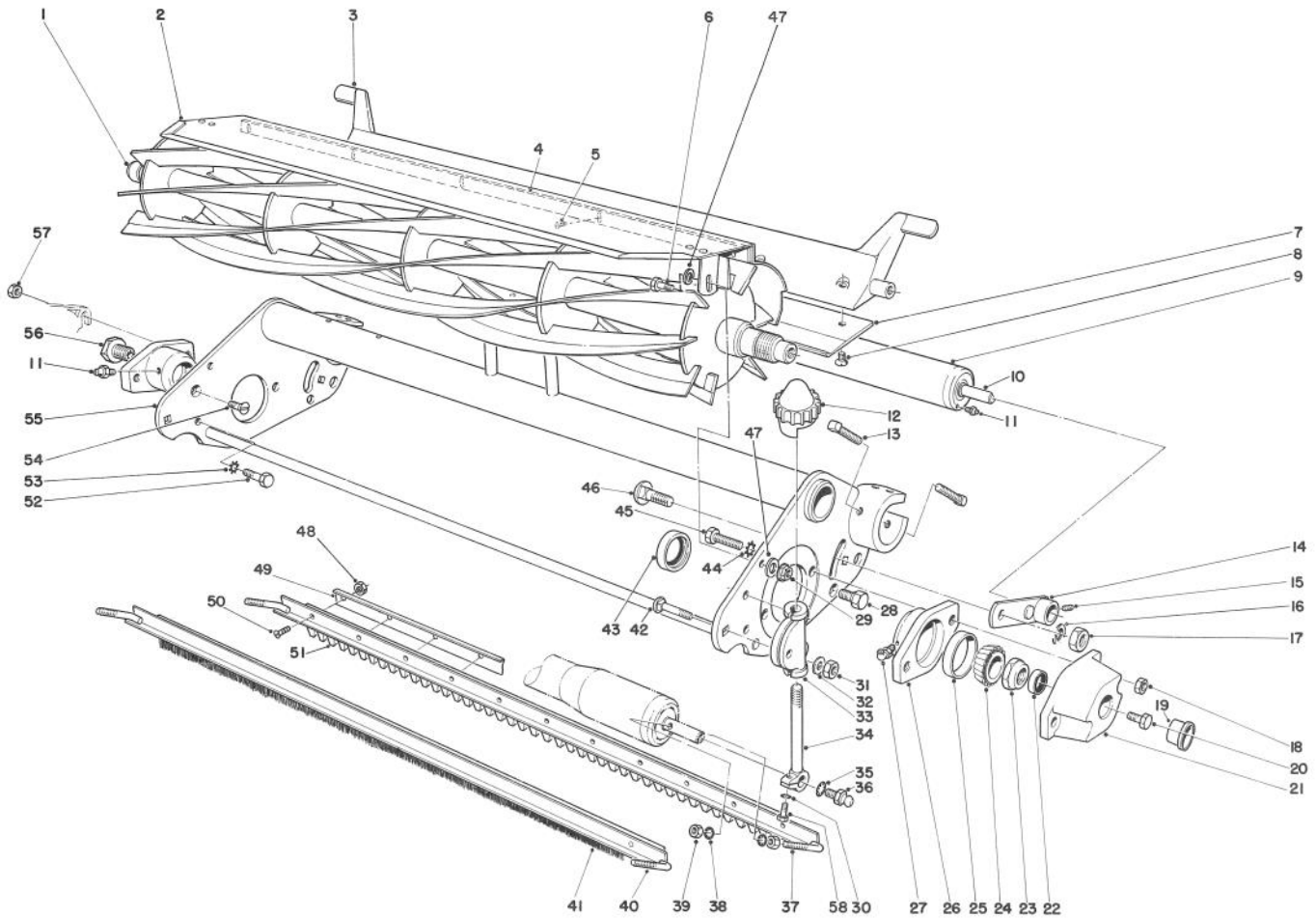
CUTTING UNITS MODEL NO'S 04405 & 04408

Ref. No.	Part No.	Description	No. Used
1	12-3599	Reel Assembly - 8 Blade	1
*	12-8779	Reel Assembly - 11 Blade	1
2	36-7190	Shield - Grass	1
3	10-4930	Bedbar	1
4	36-7260	Bar - Cut-Off	1
5	32144-73	Screw - Round Hd.	5
6	321-5	Screw - Cap Hex. Hd.	2
7	63-8500	Bed Knife - 1/8"	1
*	62-2510	Bed Knife - 3/16"	1
*	62-8550	Bed Knife - Tournament	1
*	63-8610	Bed Knife - Fairway	1
†8	57-4910	Screw - Special	7
9	21-8450	Rear Roller Assembly (Incl. Ref. #10-11)	1
10	21-8430	Bearing - Rear	2
11	302-5	Fitting - Grease	3
12	10-5040	Knob - Height Adjustment	2
13	3243-13	Screw - Set	4
14	27-2650	Plate - Adjustment	2
15	3290-125	Screw - Set	2
16	3253-7	Washer - Lock	2
17	3217-9	Nut - Lock	2
18	3296-39	Nut - Lock	2
19	12-0460	Caplug	1
20	323-2	Screw - Cap Hex. Hd.	1
21	10-5080	Cap - End	1

Ref. No.	Part No.	Description	No. Used
22	253-61	Seal	1
23	3296-60	Nut - Stop	1
24	254-94	Cone - Bearing	2
†25	254-72	Cup - Bearing	2
26	10-5120	Housing - Bearing	2
27	302-40	Fitting - Grease	1
28	217-74	Bolt - Wheel	2
29	3296-42	Nut - Lock	2
30	3253-3	Washer - Lock	2
31	3296-29	Nut - Lock	2
32	3256-23	Washer - Flat	2
33	10-5060	Bracket - Height Of Cut	2
34	10-5010	Screw - Roller Adjustment	2
35	3254-6	Washer - I.T.L.W.	2
36	2411-7	Ball - Stud	2
37	11-0070	Scraper Comb Assembly (Incl. Ref. #48-51)	1
38	3254-8	Washer - I.T.L.W.	4
39	3219-1	Nut - Hex.	4
40	33-1000	Scraper Brush Assembly (Incl. Ref. #41) Optional	1
41	33-0630	Brush	1
42	3-7253	Bolt - Carriage	2
†43	235-96	Seal - Oil <i>253-96</i>	2
44	3255-9	Washer - E.T.L.W.	4
45	57-3210	Screw - Special	4

*Not Illustrated

†Ref. Special Tools Pages At End Of This Book.



T-0307

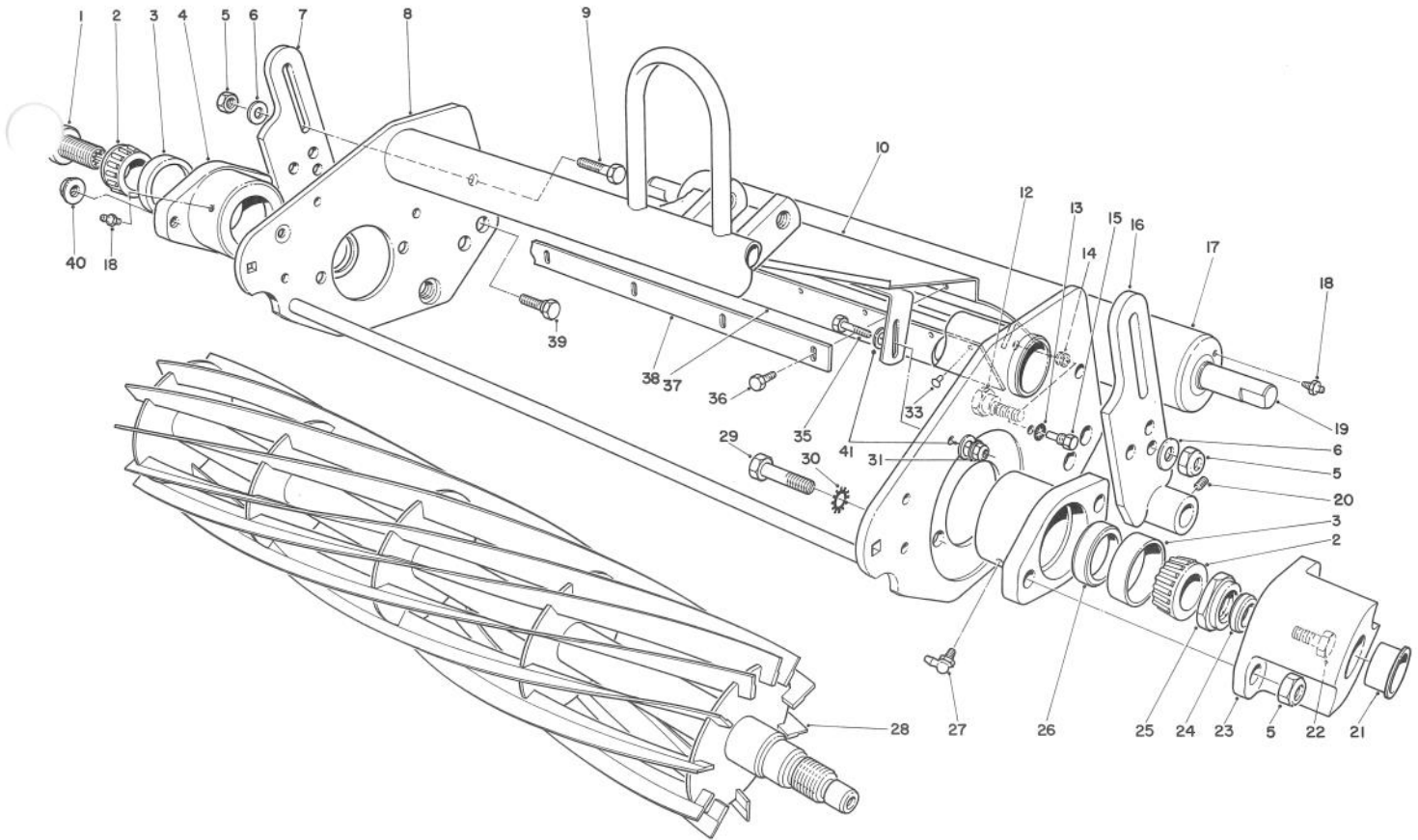
CUTTING UNITS MODEL NO'S 04405 & 04408 (Continued)

Ref. No.	Part No.	Description	No. Used
46	3233-26	Bolt - Carriage	2
47	3256-22	Washer	4
48	3296-9	Nut - Lock	11
49	8-2520	Support - Comb	1
50	3249-3	Screw - Round Hd.	11
51	8-2530	Comb - Urethane	1
52	322-5	Screw - Cap Hex.Hd.	2
53	3255-8	Washer - E.T.L.W.	2
54	32108-20	Screw - Flat Hd.	2

Ref. No.	Part No.	Description	No. Used
55	70-1100	Frame - Reel	1
56	10-5100	Nut - Spline	1
57	32128-36	Nut - Flange Lock	2
58	321-4	Screw - Cap Hex. Hd.	2
*	36-7250	Grass Basket Assembly	3
*	1-8789	Gage Bar Assembly Includes (1) 32122-22 Screw & (1) 3219-14 Nut	1

*Not Illustrated

†Ref. Special Tools Pages At End Of This Book.



T-0309

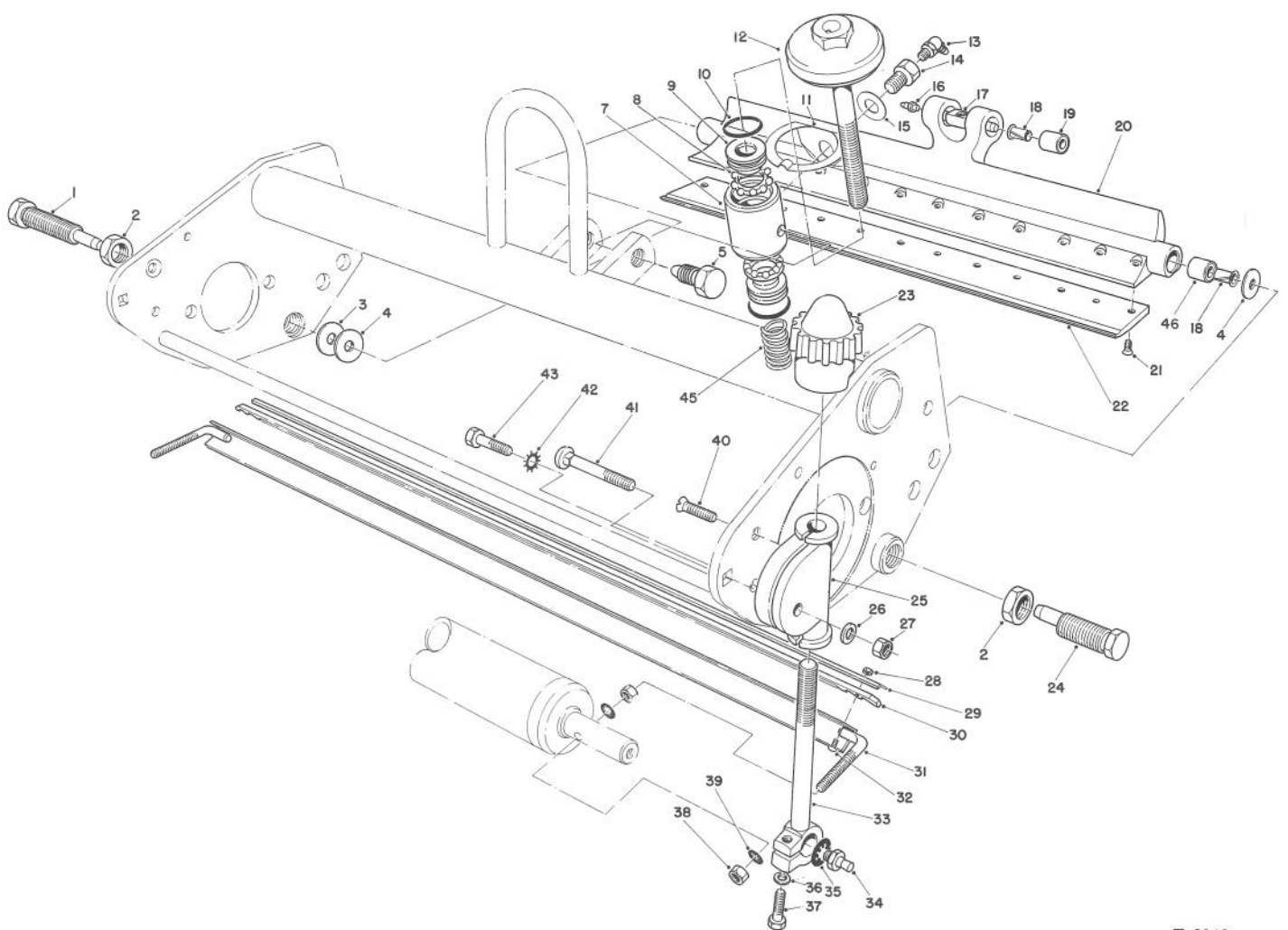
CUTTING UNITS (11 BLADE) MODEL NO. 04450 & (8 BLADE) MODEL NO. 04468

Ref. No.	Part No.	Description	No. Used
1	10-5100	Nut - Spline	1
2	254-94	Bearing - Cone	2
†3	254-72	Bearing - Cup	2
4	10-5120	Housing - Bearing	2
5	3296-39	Nut - Lock	6
6	3256-24	Washer	4
7	52-3060	Plate - Adjustment R.H.	1
8	70-1200	Frame - Reel	1
9	323-7	Screw - Cap Hex. Hd.	2
10	57-5200	Grass Shield Assembly (Incl. Ref. #33-37)	1
12	52-3100	Bolt - Eccentric H-O-C L.H.	1
13	3254-6	Washer - Lock	2
14	237-84	Grommet	2
15	57-9910	Screw - Pivot	2
16	52-3090	Plate - Adjustment L.H.	1
17	52-3120	Rear Roller Assembly (Incl. Ref. #18-19)	1
18	302-5	Fitting - Grease	3
19	21-8430	Bearing - Rear Roller	2
20	3290-125	Screw - Set	2
21	12-0460	Caplug	1
22	323-2-	Screw - Cap Hex. Hd.	1

Ref. No.	Part No.	Description	No. Used
23	10-5080	Cap - End	1
24	253-61	Seal	1
25	3296-60	Nut - Lock	1
26	253-96	Seal	2
27	302-40	Fitting - Grease	1
28	12-2789	Reel - 11 Blade (Model No. 04450)	1
*	12-3599	Reel - 8 Blade (Model No. 04468)	1
29	57-3210	Screw - Special	4
30	3255-9	Washer - Lock	4
31	3296-42	Nut - Lock	2
33	3295-46	Rivet - Pop	13
35	321-5	Screw - Cap Hex. Hd.	2
36	32144-73	Screw - Self Tapping	5
37	57-5210	Flap - Shield	1
38	36-7260	Bar - Cut-Off	1
39	52-3110	Bolt - Shoulder R.H.	1
40	32128-36	Nut - Flange Lock	2
41	3256-22	Washer - Flat	4
*	1-8789	Gauge Bar Assembly Includes (1) 32122-2 Screw (1) 3219-14 Nut	1

*Not Illustrated

†Ref. Special Tools Pages At End Of This Book.



T-0310

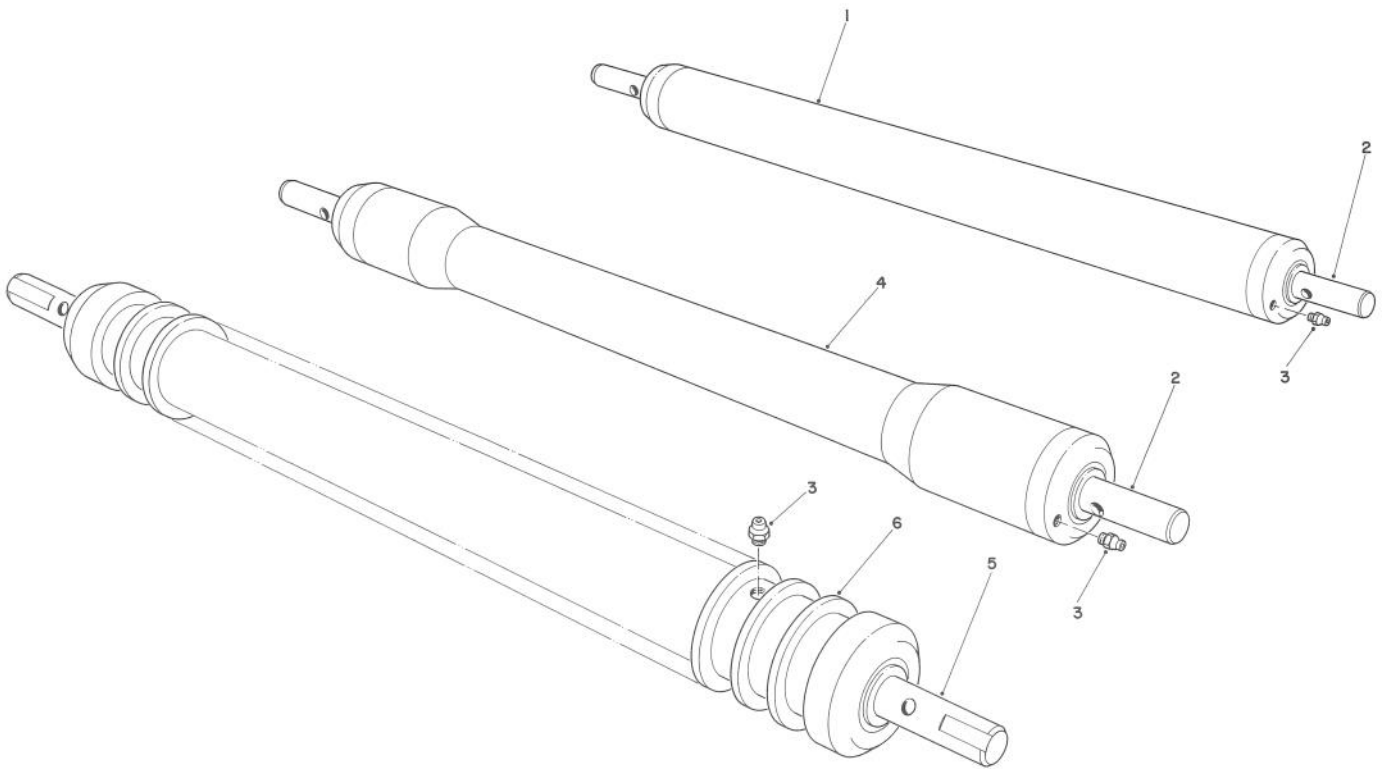
BEDBAR & SCRAPER COMB ASSEMBLY (CUTTING UNIT MODELS NO. 04450 & 04468)

Ref. No.	Part No.	Description	No. Used
1	52-2930	Bolt - Shoulder R.H.	1
2	3220-6	Nut - Jam	2
3	52-2860	Washer	1
4	52-2900	Washer - Poly	2
5	66-7240	Screw - Pivot SPA	2
7	57-5250	Pivot - SPA	1
8	57-5280	Bearing	2
9	57-5290	Race - Inner Bearing	2
10	237-77	Seal - O-Ring	2
11	66-7220	Arm - Spring	1
12	66-7250	Handle Assembly	1
13	302-40	Fitting - Grease	1
14	52-2990	Screw - Special	1
15	3256-25	Washer	1
16	302-18	Fitting - Grease	1
17	57-5260	Pivot - Bedbar	1
18	52-2890	Bushing - Flanged	4
19	62-5510	Rubber Bushing Assembly	2
20	57-4940	Bedbar	1
†21	57-4910	Screw - Special	13
22	63-8470	Bed Knife - 1/8"	1
*	62-2500	Bed Knife - 3/16"	1
*	63-8560	Bed Knife - Tournament	1
*	63-8600	Bed Knife - Fairway	1
23	10-5040	Knob - Height Adjustment	2

Ref. No.	Part No.	Description	No. Used
24	52-2910	Bolt - Eccentric L.H.	1
25	10-5060	Bracket - Height Of Cut	2
26	3256-23	Washer	2
27	3296-29	Nut - Lock	2
28	3296-9	Nut - Lock	11
29	8-2520	Support - Comb	1
30	8-2530	Comb - Urethane	1
31	11-0070	Scraper Comb Assembly (Incl. Ref. #28-30 & 32)	1
32	3249-3	Screw - Round Hd.	11
33	10-5010	Screw - Roller Adjustment	2
34	2411-7	Ball - Stud	2
35	3254-6	Washer - Lock	2
36	3253-3	Washer - Lock	2
37	321-4	Screw - Cap Hex. H.	2
38	3219-1	Nut - Hex.	4
39	3254-8	Washer - Lock	4
40	32108-20	Screw - Flat Hd.	2
41	3-7253	Bolt - Carriage	2
42	3255-8	Washer - Lock	2
43	322-5	Screw - Cap Hex. Hd.	2
45	66-7230	Spring - Compression	1
46	63-9510	Rubber Bushing Assembly	2
*	36-7250	Grass Basket Assembly	2

*Not Illustrated

†Ref. Special Tools Pages At End Of This Book.



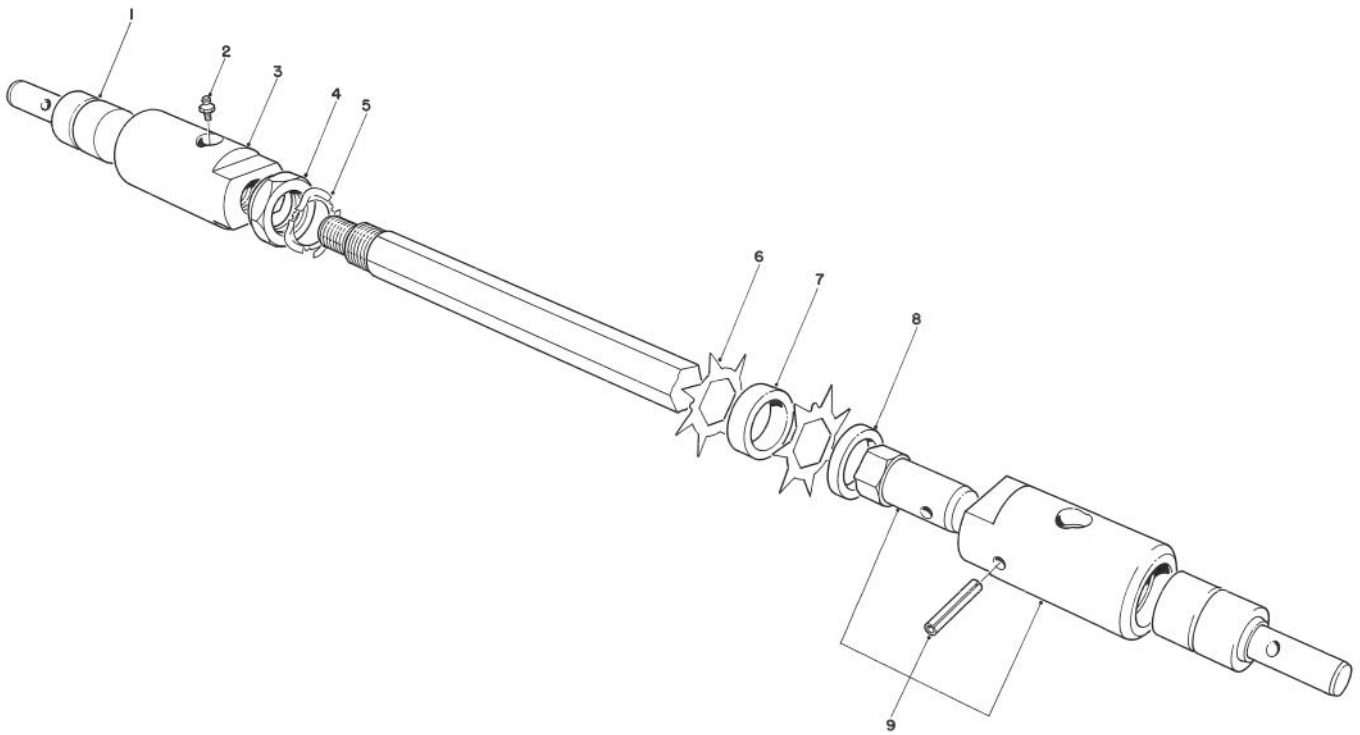
T-0311

CUTTING UNIT ROLLER OPTIONS

Ref. No.	Part No.	Description	No. Used
1	52-3170	Full Front Roller Assembly (Incl. Ref. #2 & 3)	1
2	52-3180	Bearing - Front Roller	2
3	302-5	Fitting - Grease	2
4	52-3590	Swaged Roller Assembly (Incl. Ref. #2 & 3)	1

Ref. No.	Part No.	Description	No. Used
5	52-3210	Bearing - Wiehle Roller	2
6	52-3200	Wiehle Roller Assembly (Incl. Ref. #3 & 5)	1
*	04412	Full Roller (Carton of 3)	1
*	04414	Swaged Roller (Carton of 3)	1
*	04423	Wiehle Roller (Carton of 3)	1

*Not Illustrated

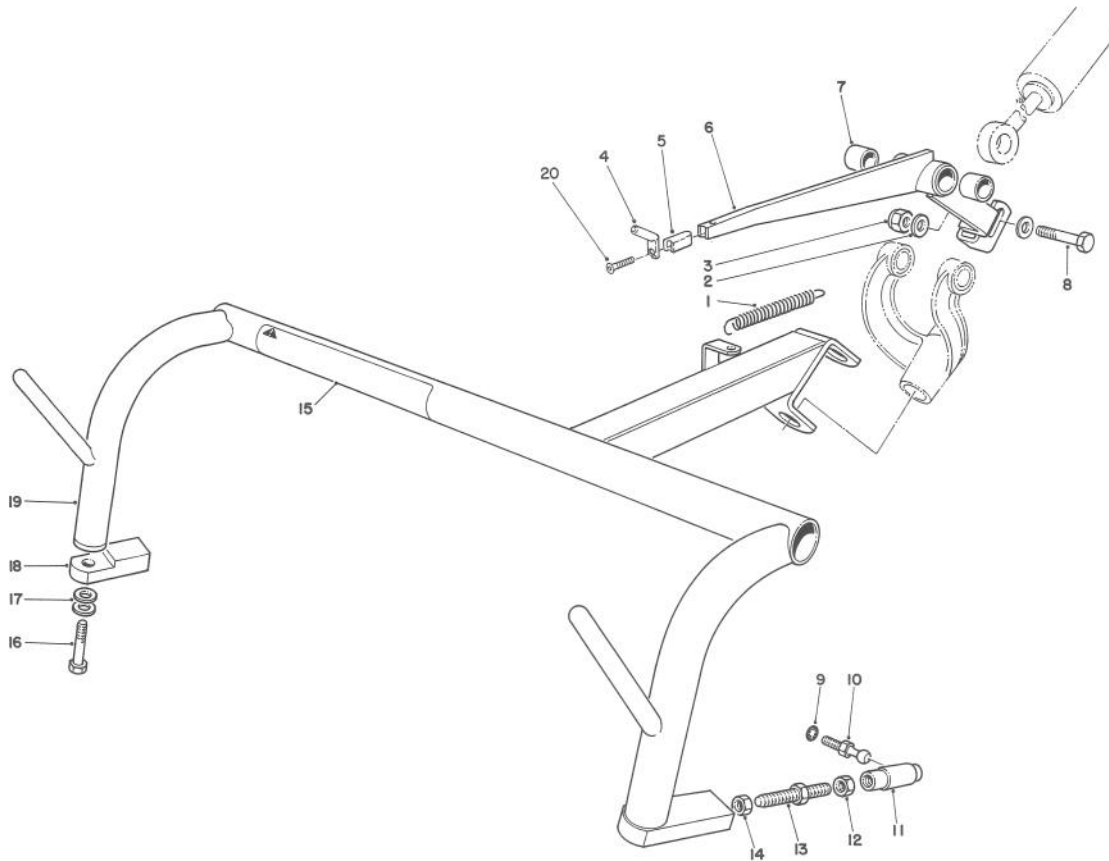


T-0312

SPIKER ROLLER MODEL NO. 04430 (Optional)

Ref. No.	Part No.	Description	No. Used
1	52-3180	Bearing - Front Roller	2
2	302-5	Fitting - Grease	2
3	57-0970	Hub - Bearing	1
4	3296-49	Nut - Lock	1
5	57-7790	Washer - Spring	1

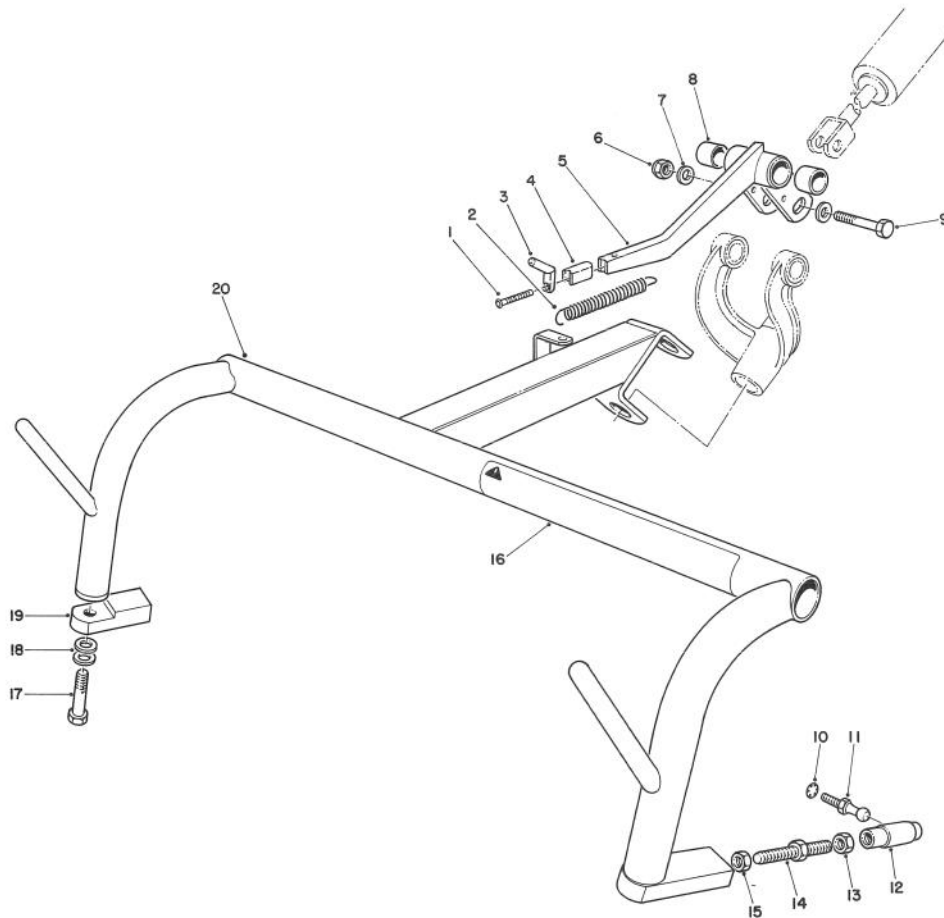
Ref. No.	Part No.	Description	No. Used
6	57-0950	Blade - Spiker Roller	26
7	26-1580	Spacer - 1/2"	27
8	27-1040	Spacer - 1/4"	2
9	57-7780	Hex. Shaft Assembly	1



T-0313

DIRECT SUSPENSION PULL FRAME KIT MODEL NO. 04452 CENTER FRAME ASSEMBLY (Optional)

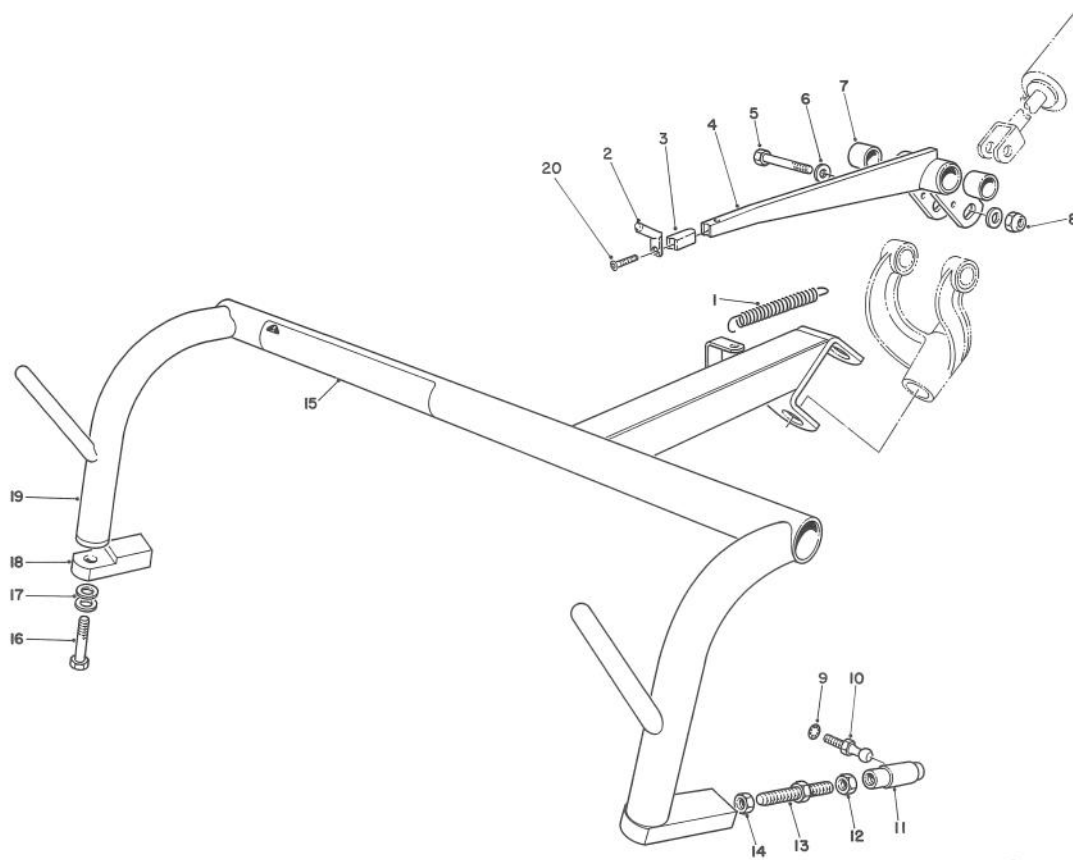
Ref. No.	Part No.	Description	No. Used	Ref. No.	Part No.	Description	No. Used
1	54-9490	Spring - Extension	1	11	57-3230	Joint - Ball	2
2	3256-28	Washer	2	12	3220-5	Nut - Jam R.H.	2
3	3296-15	Nut - Lock	1	13	54-9460	Stud - Take-Up	2
4	54-9470	Stop - Lift Pin	1	14	3220-12	Nut - Jam L.H.	2
5	67-5940	Extension - Direct Susp.	1	15	27-2890	Decal - Warning	1
6	54-9400	Center Lift Arm Assembly (Incl. Ref. #7)	1	16	3212-25	Screw - Cap Hex. Hd.	1
7	3-0348	Bushing - Sleeve	2	17	3256-25	Washer - Flat	2
8	3216-1	Screw - Cap Hex. Hd.	1	18	54-9450	Bar - Swing	1
9	3254-6	Washer - I.T.L.W.	2	19	54-7340	Frame - Pull	1
10	54-7430	Stud - Ball	2	20	3289-22	Screw - Flat Hd.	1



T-0314

DIRECT SUSPENSION PULL FRAME KIT MODEL NO. 04452 LEFT FRAME ASSEMBLY (Optional)

Ref. No.	Part No.	Description	No. Used	Ref. No.	Part No.	Description	No. Used
1	3289-22	Screw - Flat Hd.	1	11	54-7430	Stud - Ball	2
2	54-9490	Spring - Extension	1	12	57-3230	Joint - Ball	2
3	54-9470	Stop - Lift Pin	1	13	3220-5	Nut - Jam R.H.	2
4	67-5940	Extension - Direct Susp.	1	14	54-9460	Stud - Take-Up	2
5	54-7550	Left Lift Arm Assembly (Incl. Ref. #8)	1	15	3220-12	Nut - Jam L.H.	2
6	3296-45	Nut - Lock	1	16	27-2890	Decal - Warning	1
7	3256-26	Washer - Flat	2	17	3212-25	Screw - Cap Hex. Hd.	1
8	3-0348	Bushing - Sleeve	2	18	3256-25	Washer - Flat	2
9	325-11	Screw - Cap Hex. Hd.	1	19	54-9450	Bar - Swing	1
10	3254-6	Washer - I.T.L.W.	2	20	54-7420	Frame - Pull (L.H.)	1

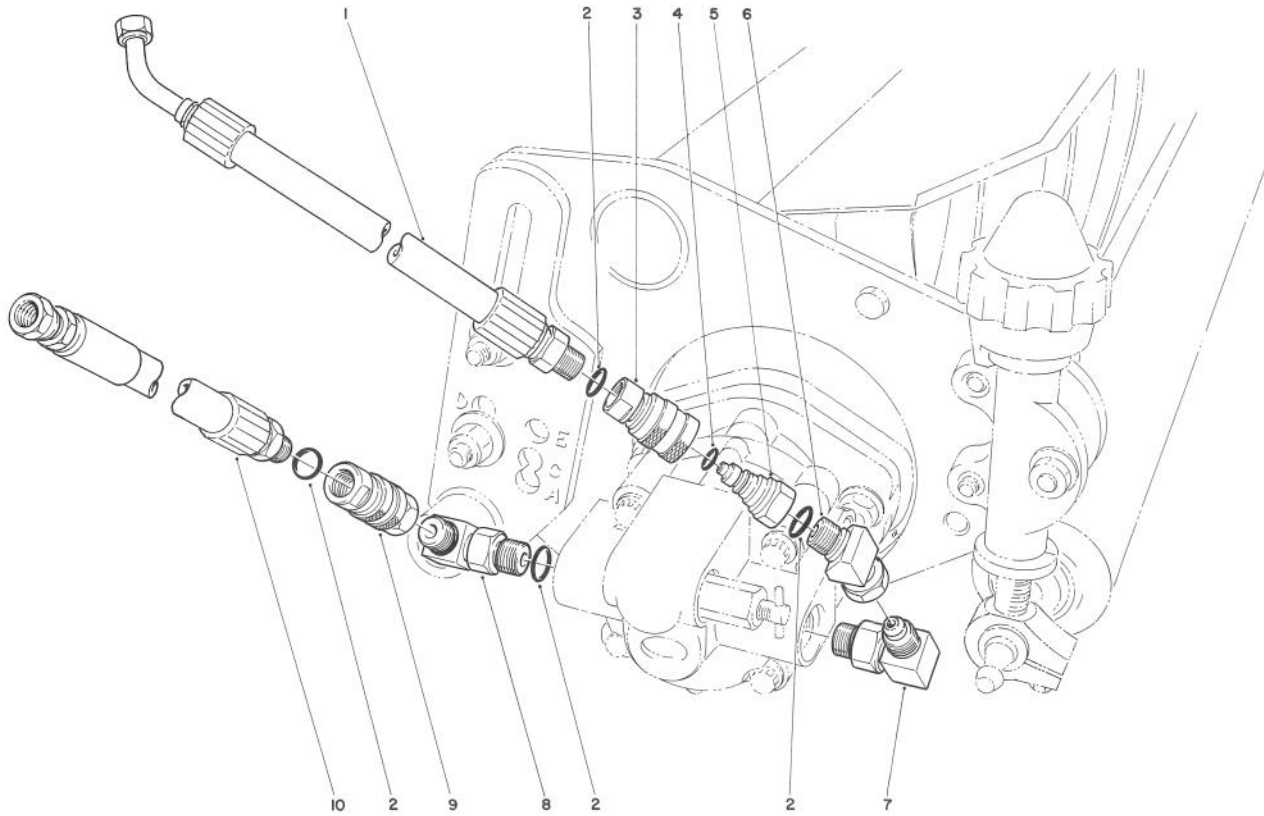


T-0315

DIRECT SUSPENSION PULL FRAME KIT MODEL NO. 04452 RIGHT FRAME ASSEMBLY (Optional)

Ref. No.	Part No.	Description	No. Used
1	54-9490	Spring - Extension	1
2	54-9470	Stop - Lift Pin	1
3	67-5940	Extension - Direct Susp.	1
4	54-7530	Right Lift Arm Assembly (Incl. Ref. #7)	1
5	325-11	Screw - Cap Hex. Hd.	1
6	3256-26	Washer - Flat	2
7	3-0348	Bushing - Sleeve	2
8	3296-45	Nut - Lock	1
9	3254-6	Washer - I.T.L.W.	2
10	54-7430	Stud - Ball	2

Ref. No.	Part No.	Description	No. Used
11	57-3230	Joint - Ball	2
12	3220-5	Nut - Jam R.H.	2
13	54-9460	Stud - Take-Up	2
14	3220-12	Nut - Jam L.H.	2
15	27-2890	Decal - Warning	1
16	3212-25	Screw - Cap Hex. Hd.	1
17	3256-25	Washer - Flat	2
18	54-9450	Bar - Swing	1
19	54-7340	Frame - Pull (L.H.)	1
20	3289-22	Screw - Flat Hd.	1

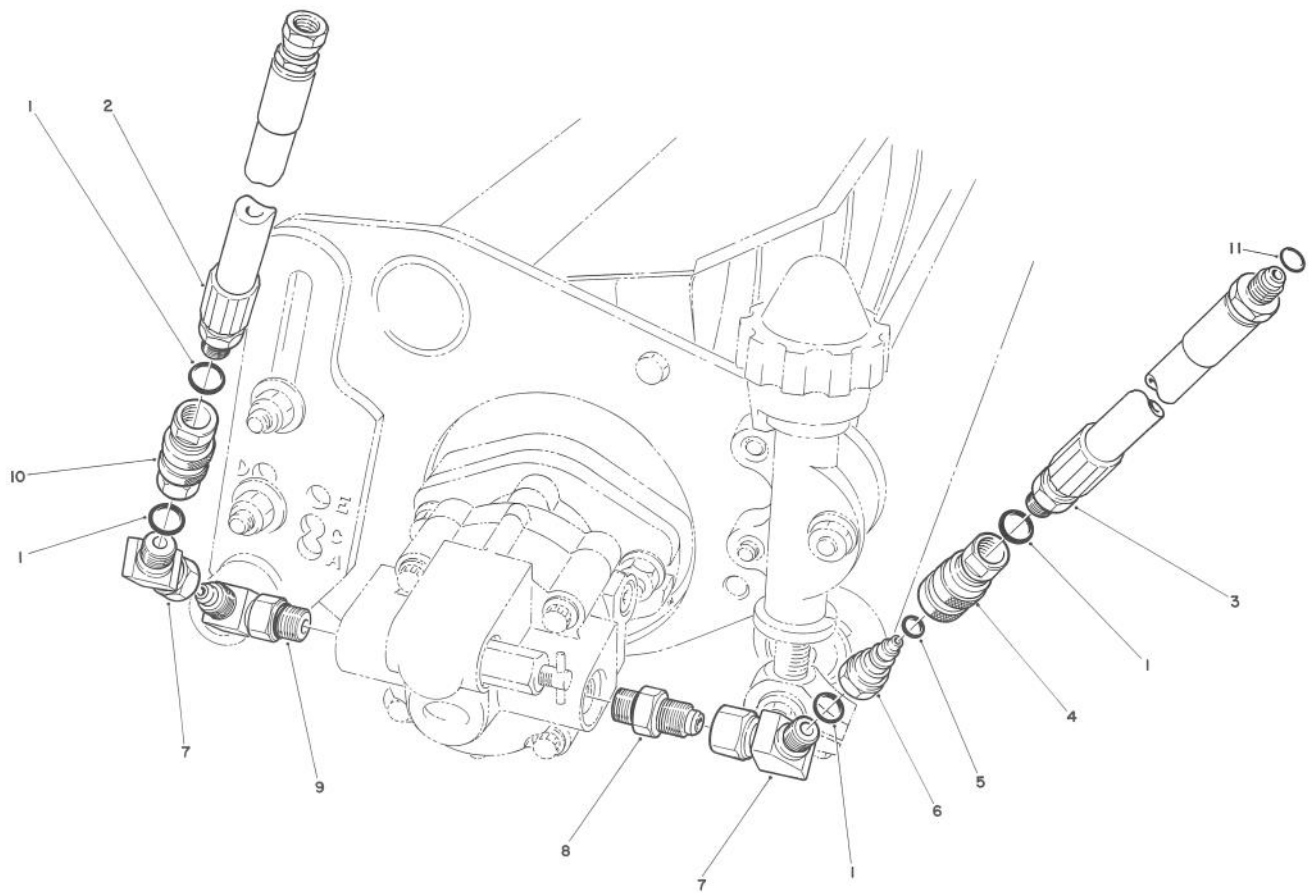


T-0316

BACKLAPPING KIT NO. 63-4960 CENTER REEL MOTOR PLUMBING (Optional)

Ref. No.	Part No.	Description	No. Used
1	63-4990	Hose Assembly - Pressure (Incl. Ref. #2)	1
2	237-42	Seal - O-Ring	6
3	353-934	Coupling - Female	2
4	237-142	Seal - O-Ring	2
5	353-933	Coupling - Male	2
6	54-9530	Fitting - 45° Swivel Elbow (Incl. Ref. #2)	1

Ref. No.	Part No.	Description	No. Used
7	353-374	Fitting - 90° Swivel Elbow	1
8	54-9540	Fitting - 90° Swivel Elbow (Incl. Ref. #2)	1
9	54-9620	Coupling - Quick Disconnect (Incl. Ref. #3-5)	2
10	63-4980	Hose Assembly - Return (Incl. Ref. #2)	1

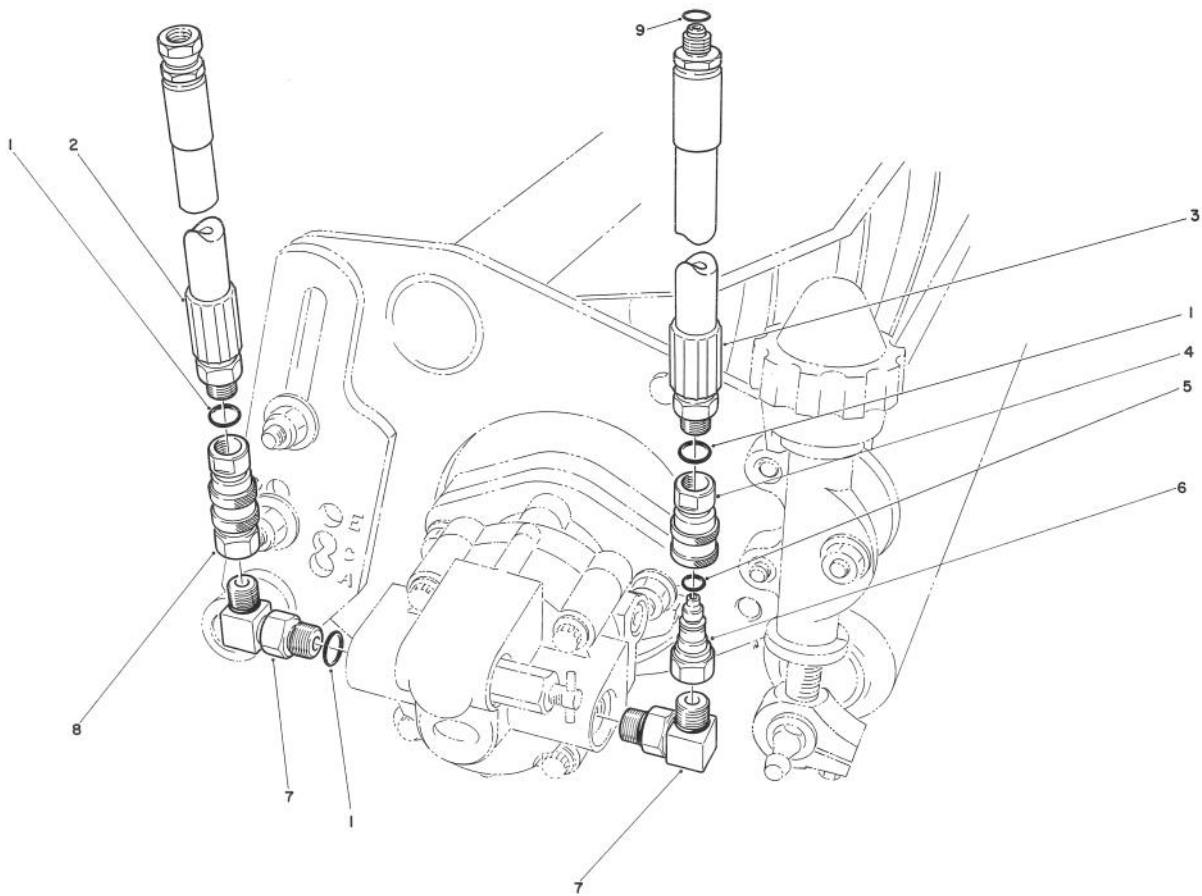


T-0317

BACKLAPPING KIT NO. 63-4960 LEFT REEL MOTOR PLUMBING (Optional)

Ref. No.	Part No.	Description	No. Used
1	237-42	Seal - O-Ring	6
2	63-4980	Hose Assembly - Return (Incl. Ref. #1)	1
3	63-4970	Hose Assembly - Pressure (Incl. Ref. #1 & 11)	1
4	353-934	Coupling - Female	2
5	237-142	Seal - O-Ring	2
6	353-933	Coupling - Male	2

Ref. No.	Part No.	Description	No. Used
7	54-9530	Fitting - 45° Swivel Elbow (Incl. Ref. #1)	2
8	353-384	Fitting - Straight	1
9	353-374	Fitting - 90° Swivel Elbow	1
10	54-9620	Coupling - Quick Disconnect (Incl. Ref. #4-6)	2
11	237-22	Seal - O-Ring	1

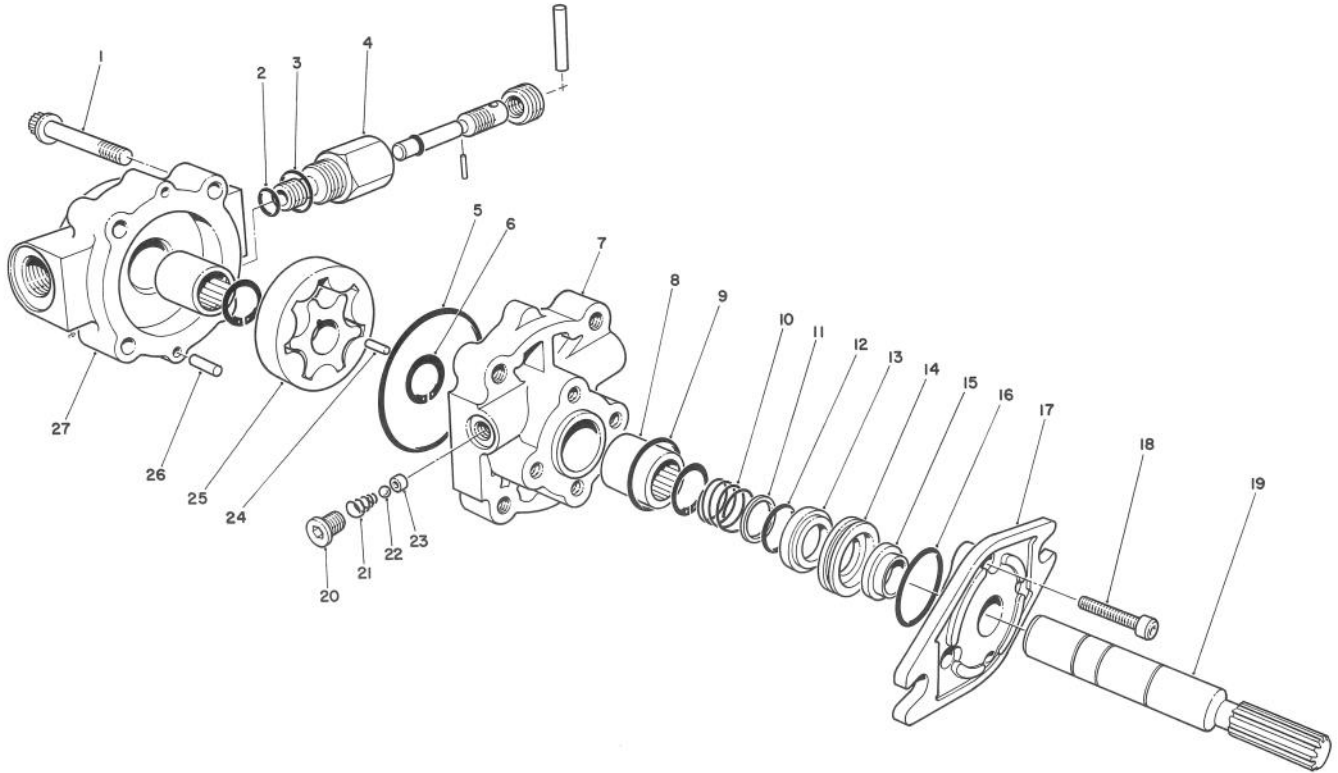


T-0318

BACKLAPPING KIT NO. 63-4960 RIGHT REEL MOTOR PLUMBING (Optional)

Ref. No.	Part No.	Description	No. Used
1	237-42	Seal - O-Ring	6
2	63-4980	Hose Assembly - Return (Incl. Ref. #1)	1
3	63-4970	Hose Assembly - Pressure (Incl. Ref. #1 & 9)	1
4	353-934	Coupling - Female	2
5	237-142	Seal - O-Ring	2

Ref. No.	Part No.	Description	No. Used
6	353-933	Coupling - Male	2
7	353-374	Fitting - 90° Swivel Elbow (Incl. Ref. #1)	2
8	54-9620	Coupling - Quick Disconnect (Incl. Ref. #4-6)	2
9	237-22	Seal - O-Ring	1



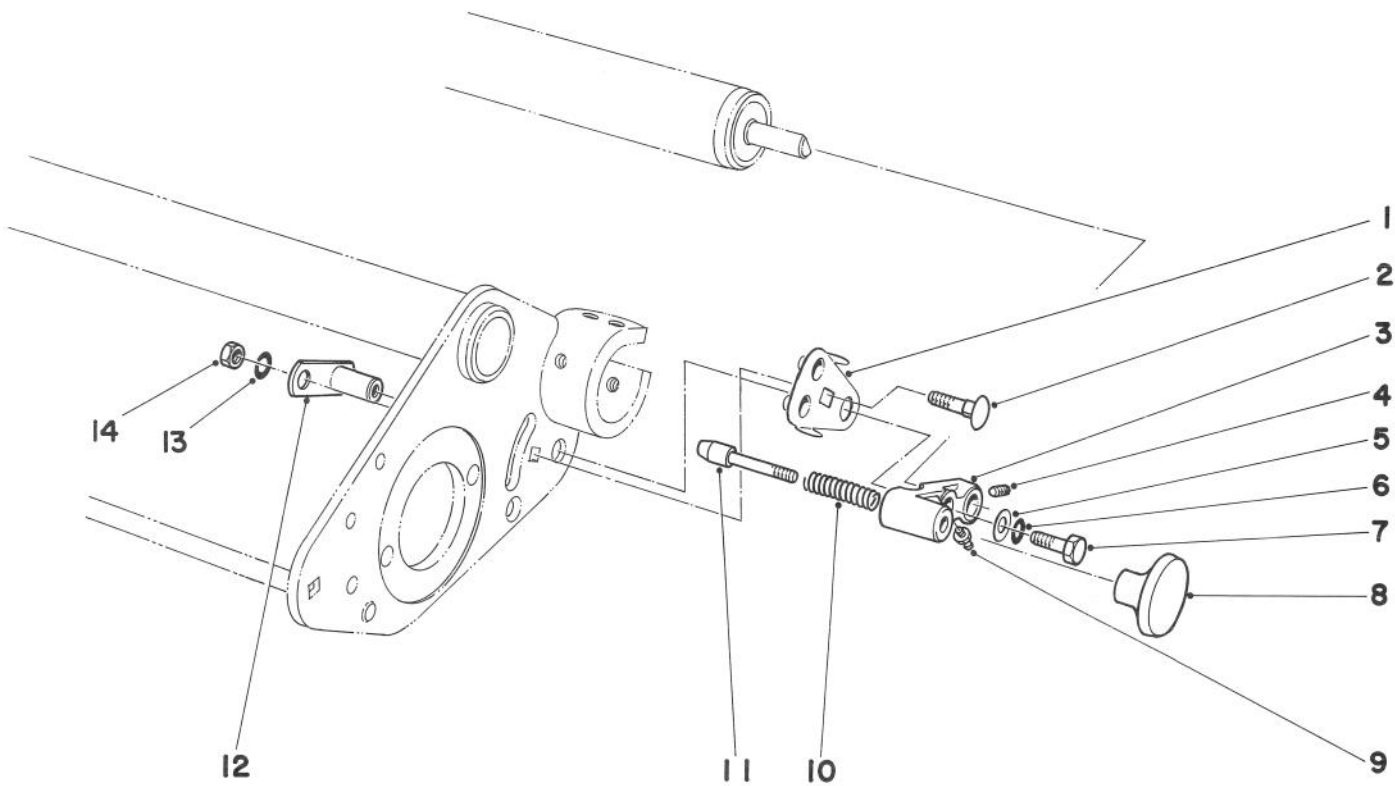
T-0319

BACKLAPPING KIT NO. 63-4960 REEL MOTOR WITH BY-PASS (Optional)

Ref. No.	Part No.	Description	No. Used
1	353-892	Screw - 12 Pt.	4
2	353-850	Seal - O-Ring	1
3	353-914	Seal - O-Ring	1
4	54-9520	Valve - By-Pass (Incl. Ref. #2-3)	1
5		Seal - O-Ring	1
6	353-907	Ring - Retaining	3
7	353-895	Cover (Incl. Ref. #23)	1
8	353-910	Bearing - Needle	2
9		Seal - O-Ring	1
10	353-906	Spring	1
11	353-897	Washer - Seal	1
12		Seal - O-Ring	1
13	353-899	Cup - Seal	1
14		Seat - Seal	1
15		Seal - Block	1

Ref. No.	Part No.	Description	No. Used
16		Seal - O-Ring	1
17	353-900	Flange - Mounting	1
18	353-905	Screw	4
19	353-904	Shaft	1
20	353-911	Plug	2
21	353-912	Spring - Conical	2
22	353-664	Ball	2
23		Seat	2
24	353-893	Pin - Drive	1
25	353-909	Element - Gerotor	1
26	353-894	Pin - Dowel	2
27	353-891	Body	1
*	353-913	Bearing & Seal Kit (Incl. Ref. #5, 8, 9, 12-16)	1
*	54-9510	Motor & By-Pass Assembly (Complete)	1

*Not Illustrated

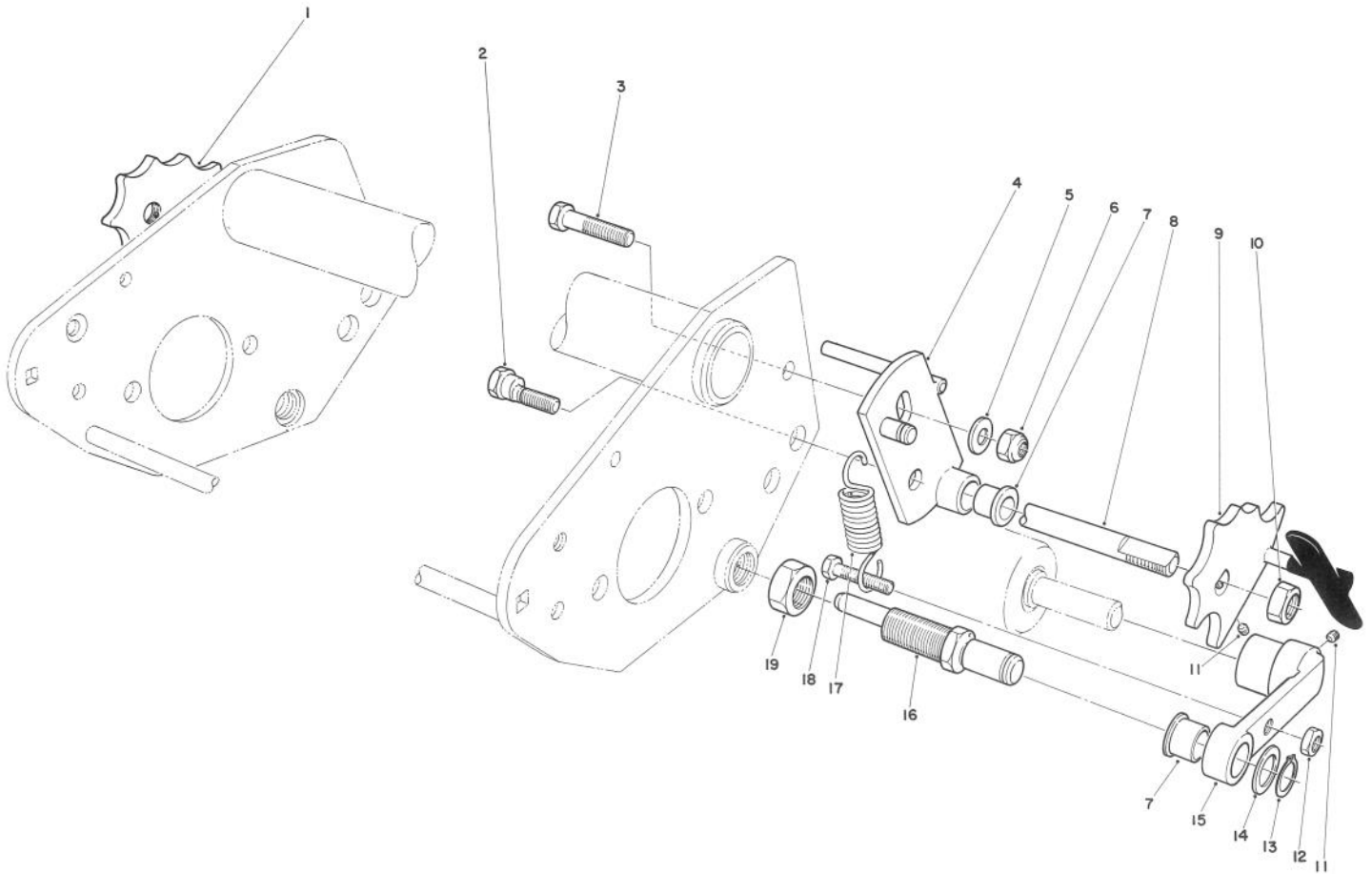


T-0320

QUICK HEIGHT-OF-CUT KIT NO. 29-5910 (FOR MODEL NO. 04405 & 04408 CUTTING UNITS) (Optional)

Ref. No.	Part No.	Description	No. Used	Ref. No.	Part No.	Description	No. Used
1	10-5140	Plate - H-O-C Adjustment	6	8	233-28	Knob	6
2	3-5861	Bolt - Carriage	6	9	302-18	Fitting - Grease	6
3	10-4870	Bracket - H-O-C	6	10	10-4850	Spring - Compression	6
4	3245-7	Screw - Set	6	11	10-4880	Pin - H-O-C	6
5	3256-2	Washer	6	12	20-4700	Pin - Pivot	6
6	3253-3	Washer - Lock	6	13	3253-4	Washer - Lock	6
7	321-3	Screw - Cap Hex. Hd.	6	14	3217-6	Nut - Hex.	6
<p>HOC Adjusting Tool called an "ACCUGUAGE" made by: Precision Tool 7836 Bethel Church Rd Saline, Michigan 48176 1-800-253-2112</p>							

Note: Use Rear Roller No. 21-8450 (21-5/8" Lg.) with this kit.



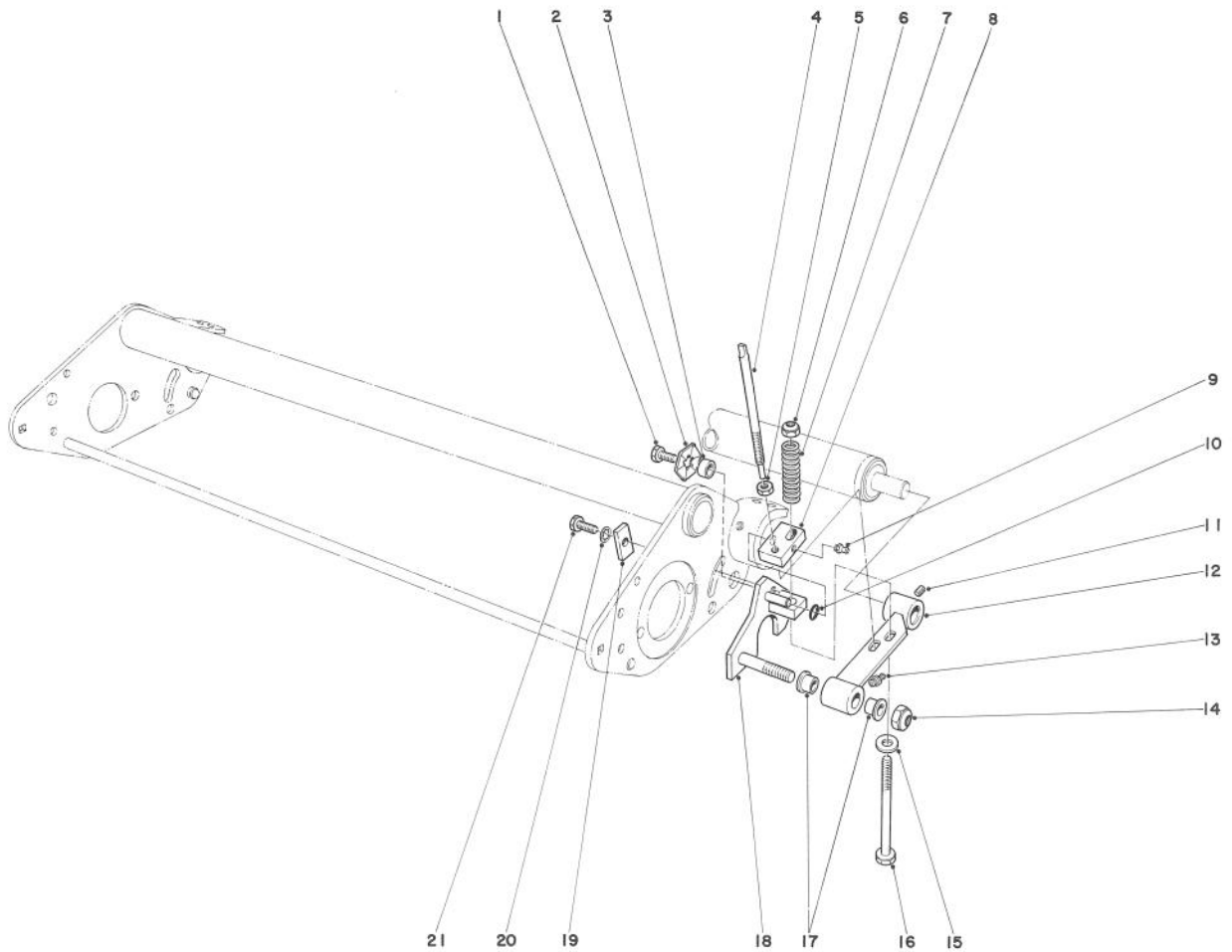
T-0321

QUICK HEIGHT-OF-CUT KIT MODEL NO. 04451 (FOR MODEL NO. 04450 & 04468 CUTTING UNITS) (Optional)

Ref. No.	Part No.	Description	No. Used	Ref. No.	Part No.	Description	No. Used
1	54-7190	Cam - Quick H-O-C	3	10	32153-7	Nut - Lock	6
†2	52-3100	Bolt - H-O-C (L.H. Eccentric)	3	11	3290-125	Screw - Set	12
*†	52-3110	Bolt - H-O-C (R.H. Shoulder)	3	12	3218-2	Nut - Jam	6
†3	323-7	Screw - Cap Hex. Hd.	6	13	32120-3	Ring - Snap	6
4	54-7250	Bracket - Quick H-O-C (L.H.) (Incl. Ref. #7)	3	14	36-4780	Washer	6
*	54-7120	Bracket - Quick H-O-C (R.H.) (Incl. Ref. #7)	3	15	54-7140	Pull Arm Assembly (Incl. Ref. #7)	6
†5	3256-24	Washer - Flat	12	16	54-7300	Bolt - Bedbar (L.H. Eccentric)	3
†6	3296-39	Nut - Lock	12	*	54-7310	Bolt - Bedbar (R.H. Shoulder)	3
7	256-155	Bushing - Flange	12	17	54-7170	Spring - Extension	6
8	54-7180	Shaft - Cam	3	18	322-9	Screw - Cap Hex. Hd.	6
9	54-7240	Cam - Quick H-O-C (L.H. & Center)	2	†19	3220-6	Nut - Lock	6
*	54-7200	Cam - Quick H-O-C (R.H.)	1				

*Not Illustrated

†Items Not Included in Quick H-O-C Kit. Obtain From Existing Cutting Unit Assemblies.



T-0322

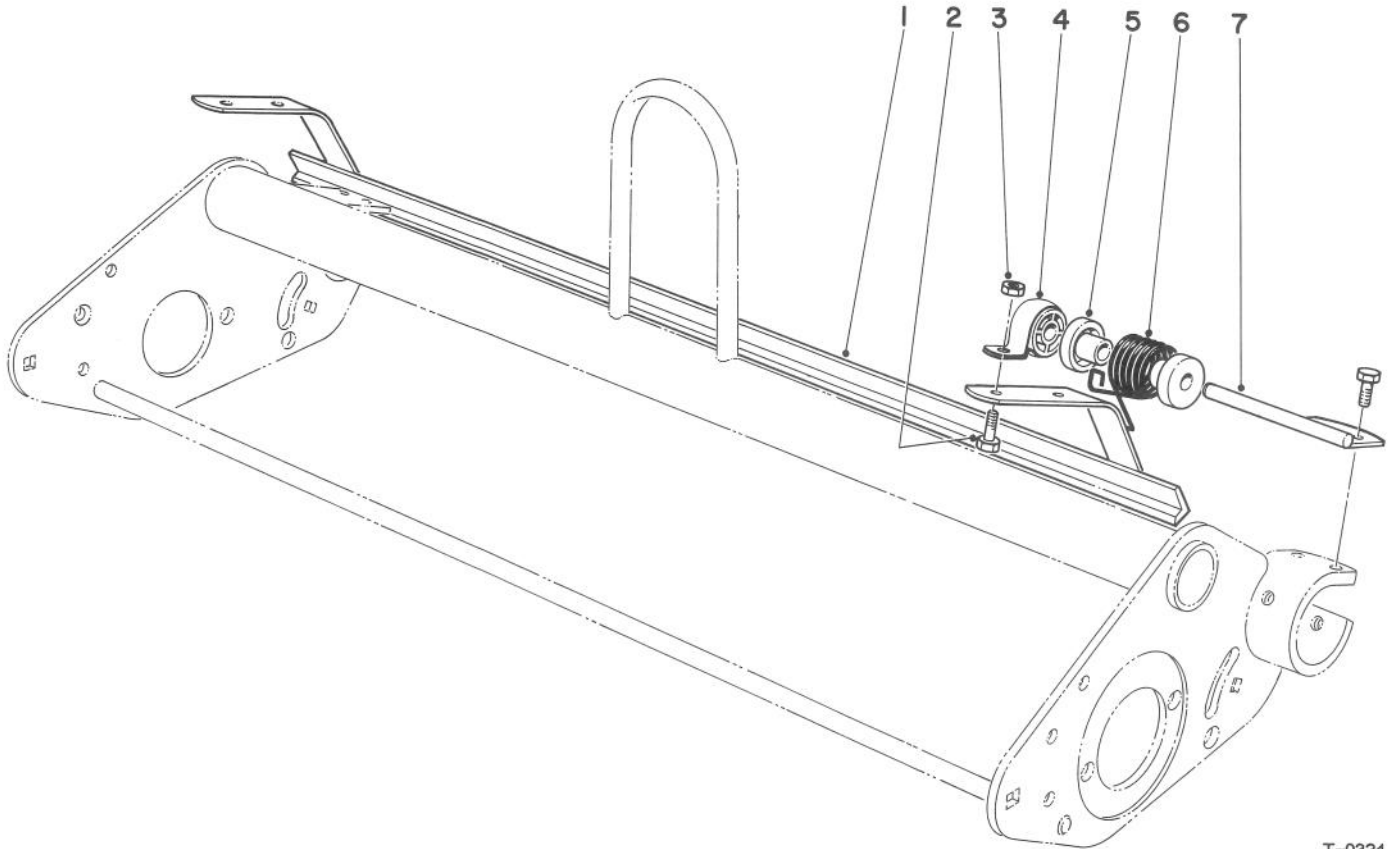
VARIABLE QUICK HEIGHT-OF-CUT KIT NO. 24-9400 (FOR MODEL NO. 04405 & 04408 CUTTING UNITS) (Optional)

Ref. No.	Part No.	Description	No. Used
1	322-2	Screw - Cap Hex. Hd.	2
2	3290-238	Washer - Lock	2
3	24-9200	Spacer - Mounting	2
4	24-9260	Rod - Adjustment	2
5	3218-2	Nut - Jam	2
6	3296-29	Nut - Lock	2
7	24-9370	Spring - Compression	2
8	24-9220	Plate - Pivot	2
9	302-22	Fitting - Grease	2
10	237-21	Seal - O-Ring	2
11	3245-1	Screw - Set	2

Ref. No.	Part No.	Description	No. Used
12	24-9330	Pivot Arm Assembly L.H. (Incl. Ref. #13 & 17)	1
*	24-9340	Pivot Arm Assembly R.H. (Incl. Ref. #13 & 17)	1
13	302-5	Fitting - Grease	2
14	3296-44	Nut - Lock	2
15	3256-23	Washer	2
16	322-23	Screw - Cap Hex. Hd.	2
17	256-116	Bushing - Flange	4
18	24-9320	Plate - Base L.H.	1
*	24-9310	Plate - Base R.H.	1
19	24-9240	Washer	2
20	3254-2	Washer	2
21	322-3	Screw - Cap Hex. Hd.	2

*Not Illustrated

Note: Use Rear Roller No. 21-8450 (21-5/8" Lg.) with this kit.



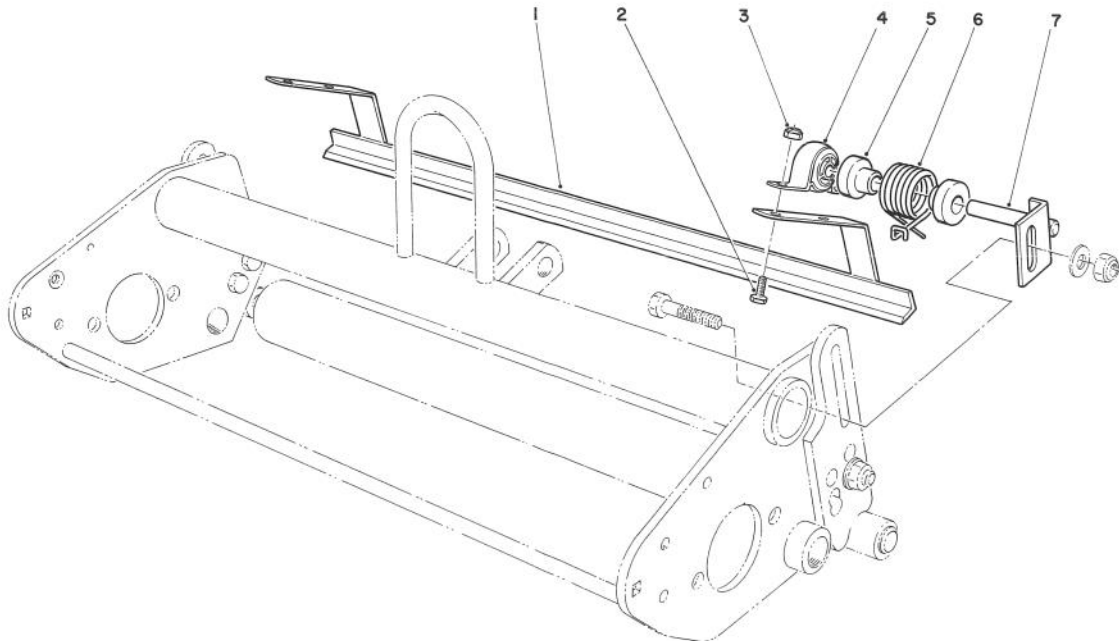
T-0324

ROLLER SCRAPER KIT NO. 42-4820 (FOR MODEL NO. 04405 & 04408 CUTTING UNITS) (Optional)

Ref. No.	Part No.	Description	No. Used
1	42-4800	Bar - Scraper	1
2	321-3	Screw - Cap Hex. Hd.	8
3	32152-4	Nut - Lock	4
4	256-239	Bearing	2
5	19-9560	Spacer - Spring	4

Ref. No.	Part No.	Description	No. Used
6	19-9540	Spring - Torsion L.H.	1
*	19-9550	Spring - Torsion R.H.	1
7	42-4780	Mount - Scraper L.H.	1
*	42-4790	Mount - Scraper R.H.	1

*Not Illustrated



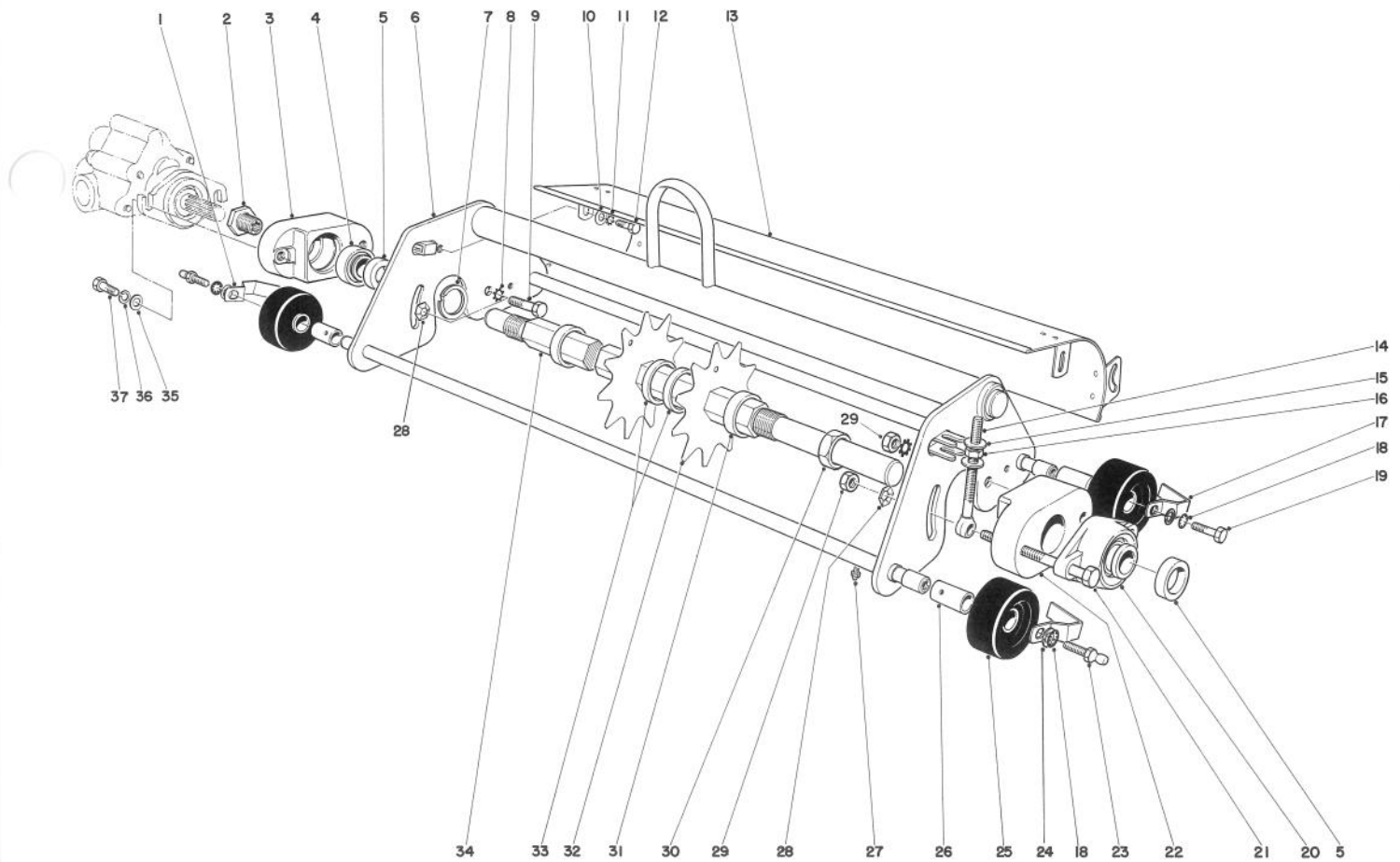
T-0323

ROLLER SCRAPER KIT NO 53-9240 (FOR MODEL NO. 04450 & 04468 CUTTING UNITS) (Optional)

Ref. No.	Part No.	Description	No. Used
1	42-4800	Bar - Scraper	1
2	321-3	Screw - Cap Hex. Hd.	4
3	32152-4	Nut - Lock	4
4	256-239	Bearing	2

Ref. No.	Part No.	Description	No. Used
5	19-9560	Spacer - Spring	4
6	19-9540	Spring - Torsion L.H.	1
*	19-9550	Spring - Torsion R.H.	1
7	53-9250	Bracket - Scraper Mounting	2

*Not Illustrated



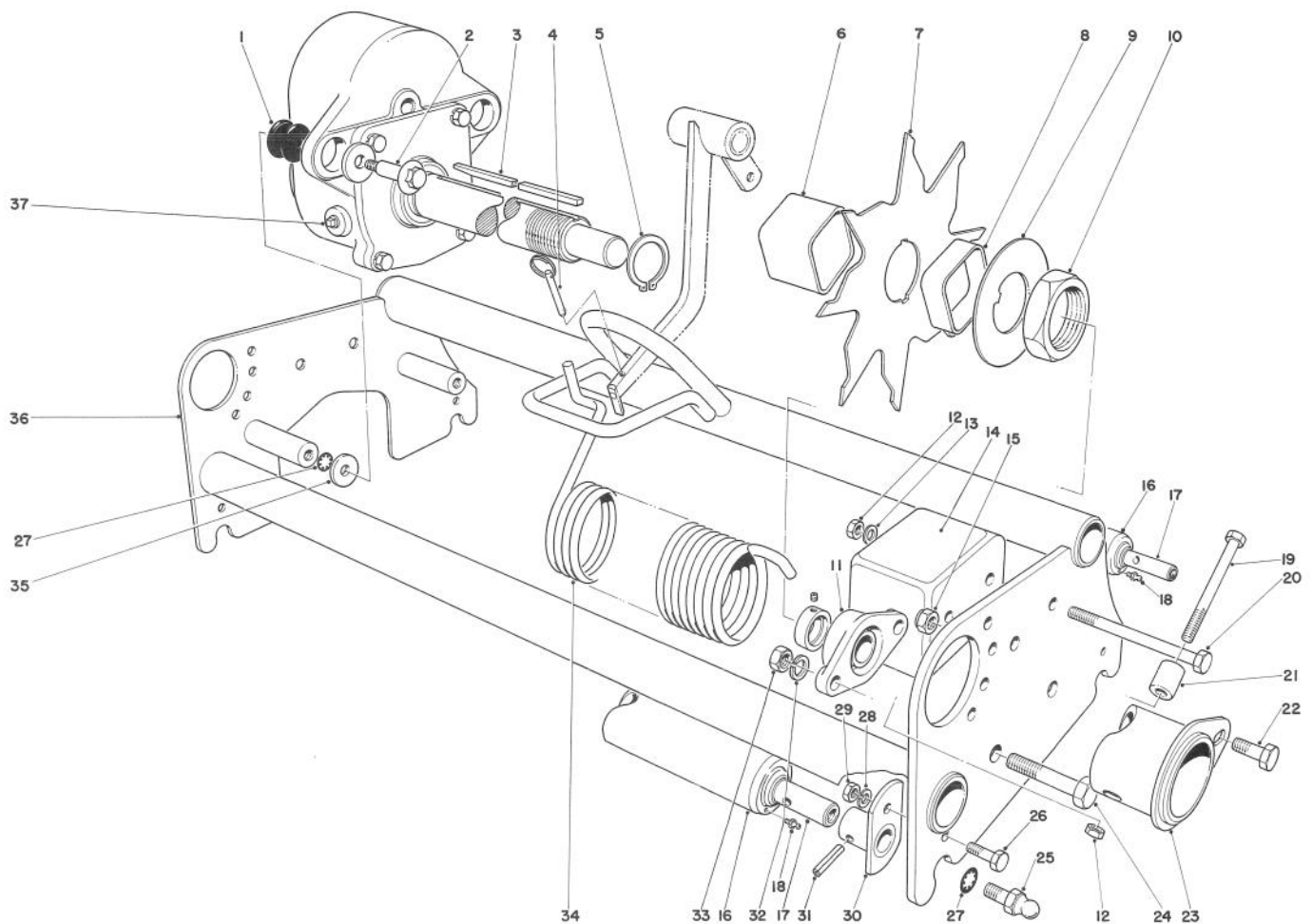
T-0325

THATCHING REEL MODEL NO. 04416 (Optional)

Ref. No.	Part No.	Description	No. Used
1	17-1650	Scraper - Wheel R.H.	2
2	10-5100	Nut - Splined	1
3	17-1610	Housing - Bearing	1
4	251-206	Bearing	1
5	251-77	Collar - Lock	2
6	17-1450	Frame Assembly	1
7	32120-77	Ring - Retaining	1
8	3255-16	Washer - E.T.L.W.	2
9	324-6	Screw - Cap Hex. Hd.	2
10	3256-22	Washer	4
11	3255-7	Washer - E.T.L.W.	4
12	329-1	Screw - Cap Hex. Hd.	4
13	17-1530	Shield - Grass	1
14	17-1510	Bolt - Eye	2
15	17-1710	Washer	4
16	3217-7	Nut	2
17	17-1640	Scraper - Wheel L.H.	2
18	3254-6	Washer - I.T.L.W.	4
19	3211-3	Screw - Cap Hex. Hd.	2
20	251-247	Bearing - Housing	1

Ref. No.	Part No.	Description	No. Used
21	324-13	Screw - Cap Hex. Hd.	2
22	17-1520	Counterweight	1
23	2411-7	Stud - Ball	2
24	3256-3	Washer	4
25	17-1630	Wheel	4
26	17-1620	Bushing - Wheel	4
27	302-5	Fitting - Grease	4
28	3290-334	Washer - Pyramidal Lock	2
29	3217-8	Nut	2
30	3220-18	Nut - Jam	2
31	17-1580	Spacer	2
32	17-1590	Blade	37
33	17-1600	Spacer	72
34	17-1570	Shaft - Hex.	1
35	3256-24	Washer	2
36	3255-9	Washer - Lock	2
37	323-6	Screw - Cap Hex. Hd.	2
*	17-2290	Gauge .060	2
*	17-2300	Gauge .120	2
*	17-2310	Gauge .250	2

*Not Illustrated



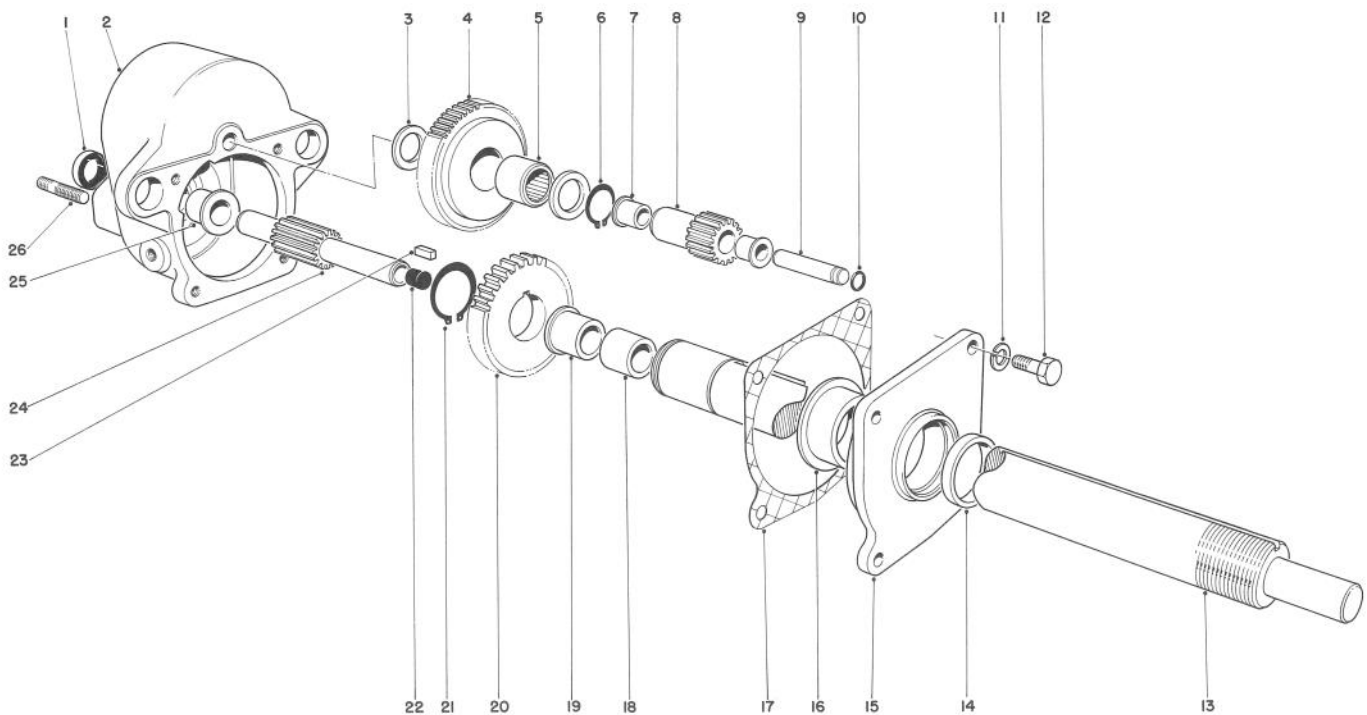
T-0326

SPIKER ATTACHMENT MODEL NO. 04420 FRAME ASSEMBLY (Optional)

Ref. No.	Part No.	Description	No. Used
1	237-90	Grommet	2
2	3-2652	Bolt	2
3	20-7370	Key - Square	1
4	21-9110	Pin - Ball Lock	1
5	32151-44	Ring - Retaining	1
6	20-7390	Spacer	9
7	20-7380	Blade	10
8	20-7400	Spacer	1
9	20-7790	Washer	1
10	3218-17	Nut	1
11	251-247	Bearing Assembly	1
12	3296-39	Nut - Lock	3
13	3256-4	Washer - Flat	2
14	20-7720	Weight - Counter	1
15	3296-47	Nut - Lock	1
16	52-3170	Roller Assembly (Incl. Ref. #17-18)	2
17	52-3180	Bearing - Roller (Front)	4
18	302-5	Fitting - Grease	4
19	323-15	Screw - Cap Hex. Hd.	1

Ref. No.	Part No.	Description	No. Used
20	323-11	Screw - Cap Hex. Hd.	2
21	20-7530	Spacer	1
22	322-3	Screw - Cap Hex. Hd.	2
23	20-7540	Tube - Spring	1
24	324-6	Screw - Cap Hex. Hd.	2
25	2411-7	Stud - Ball	2
26	321-4	Screw - Cap Hex. Hd.	4
27	3254-6	Washer - I.T.L.W.	4
28	3253-3	Washer - Lock	4
29	3217-5	Nut - Lock	4
30	20-7570	Bracket - Roller Mounting	4
31	32121-16	Pin - Roll	4
32	3255-16	Washer - Lock	2
33	3217-8	Nut - Lock	2
34	20-7520	Spring	1
35	20-7510	Spacer	4
36	20-7420	Frame	1
37	281-2	Plug - Pipe	1
*	21-6000	Gauge - Spiker Depth	1

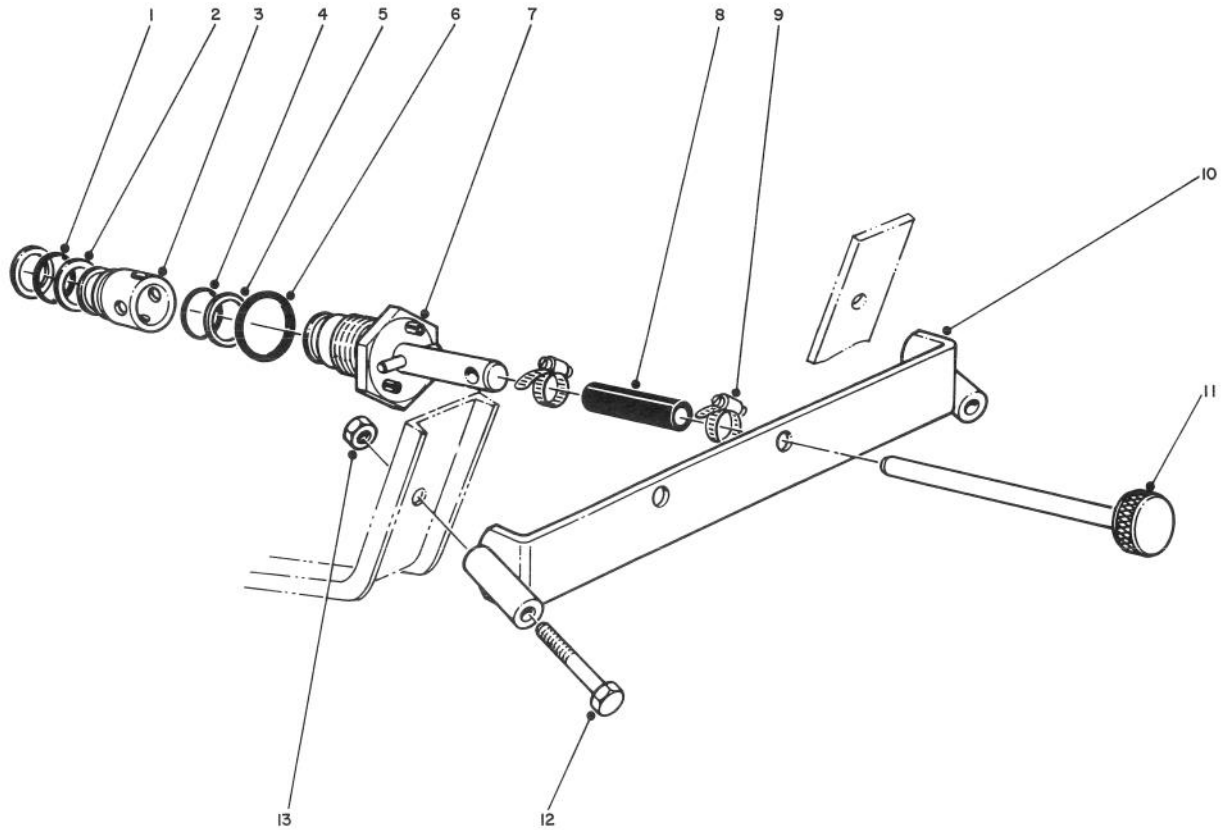
*Not Illustrated



T-0327

SPIKER ATTACHMENT MODEL NO. 04420 GEAR BOX ASSEMBLY (Optional)

Ref. No.	Part No.	Description	No. Used	Ref. No.	Part No.	Description	No. Used
1	253-131	Seal	1	14	253-130	Seal	1
2	53-9960	Housing Assembly (Incl. Ref. #1 & 25-26)	1	15	20-7700	Cover Assembly (Incl. Ref. #14 & 16)	1
3	256-115	Washer - Thrust	2	16	20-7740	Bushing - Flange	1
4	20-7850	Gear - 64T	1	17	20-7410	Gasket	1
5	252-284 352-284	Bearing	1	18	256-27	Bushing - Sleeve	1
6	32151-29	Ring - Snap	1	19	256-117	Bushing - Flange	1
7	256-243	Bushing - Flange	2	20	20-7820	Gear - 45T	1
8	20-7690	Gear - 15T (Incl. Ref. #7)	1	21	32151-35	Ring - Snap	1
9	20-7330	Countershaft	1	22	2410-34	Plug	1
10	237-22	Seal - O-Ring	1	23	20-7360	Key - Square	1
11	3253-4	Washer - Lock	4	24	20-7750	Gear - 16T	1
12	322-5	Screw - Cap Hex. Hd.	4	25	256-244	Bushing - Flange	1
13	23-5150	Shaft Assembly	1	26	20-7350	Stud	2

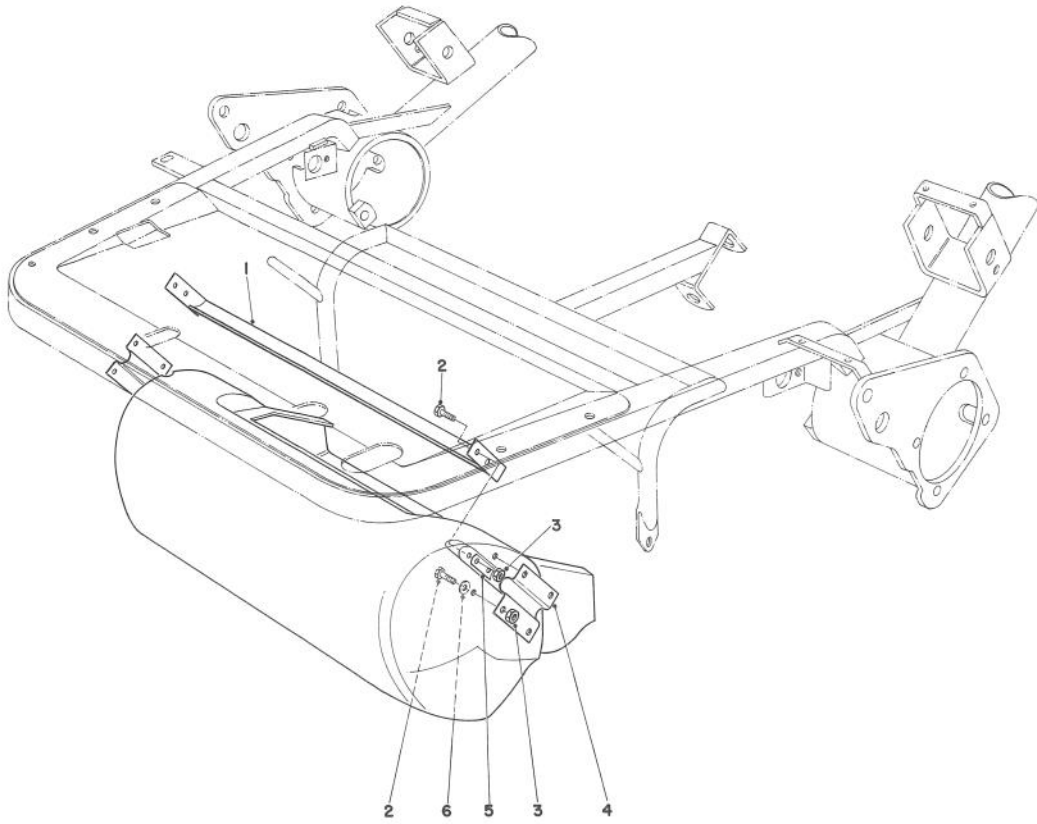


T-0328

REEL SHUTOFF KIT NO. 28-2150 (Optional)

Ref. No.	Part No.	Description	No. Used
1	353-302	Seal - O-Ring	2
2	353-303	Seal - Back-Up	4
3	323-484	Valve - Check (Incl. Ref. #1 & 2)	2
4	353-305	Seal - O-Ring	2
5	353-306	Washer - Back-Up	2
6	237-54	Seal - O-Ring	2

Ref. No.	Part No.	Description	No. Used
7	353-503	Shutoff Valve Set (2 Valves Per Set) (Incl. Ref. #1-6)	1
8	18-2400	Hose - Rubber	2
9	2412-45	Clamp - Hose	4
10	28-2070	Bracket - Front	1
11	20-2210	Knob Assembly	2
12	321-10	Screw - Cap Hex. Hd.	2
13	3217-5	Nut - Lock	2

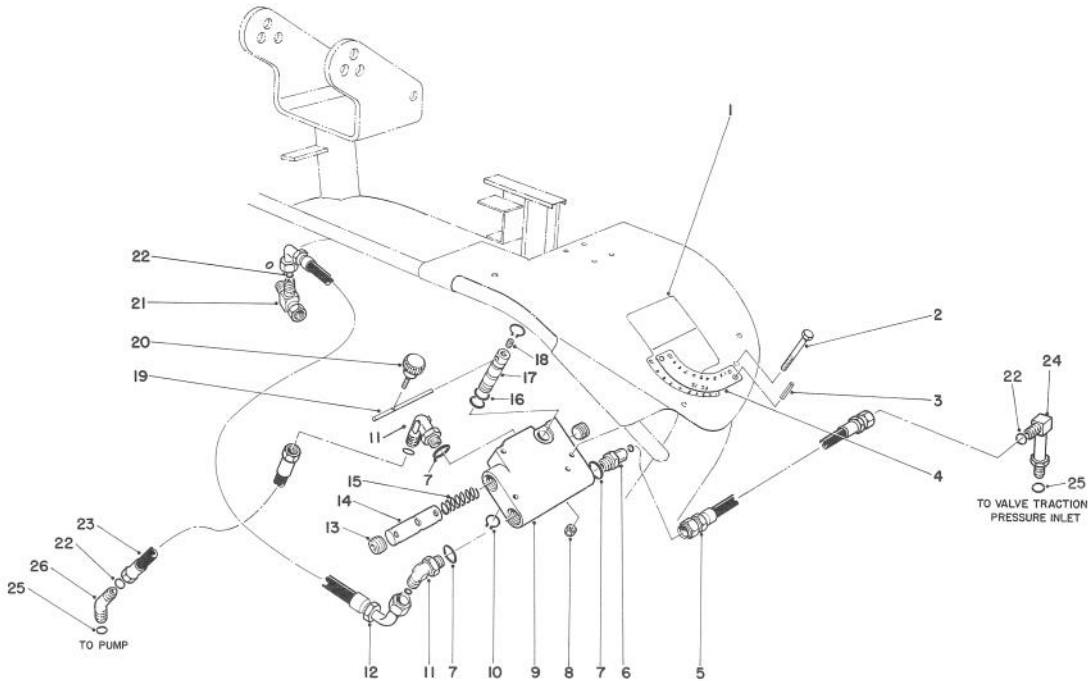


T-0333

BASKET REINFORCEMENT KIT NO. 26-0900 (Optional)

Ref. No.	Part No.	Description	No. Used
1	26-0930	Support - Lift	3
2	321-2	Screw - Cap Hex. Hd.	36
3	32153-4	Nut - Lock	36

Ref. No.	Part No.	Description	No. Used
4	26-0940	Plate - Wear	6
5	26-0950	Plate - Dished	6
6	3256-2	Washer	24



VARIABLE TRACTION CONTROL KIT MODEL NO. 04411 (Optional)

T-0334

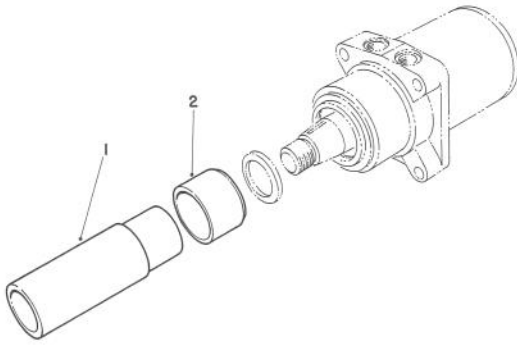
Ref. No.	Part No.	Description	No. Used
1	47-6650	Decal - Traction Control	1
2	321-33	Screw - Cap Hex. Hd.	2
3	32121-4	Pin - Slotted Roll	2
4	49-0320	Plate - Dial	1
5	68-5820	Hose - Hydraulic (Pressure)	1
6	340-89	Fitting - 45° Elbow (Incl. Ref. #7 & 22)	1
7	237-80	Seal - O-Ring	3
8	3296-56	Nut - Lock	2
9	47-6640	Body - Main	1
10	32120-76	Ring - Snap	2
11	340-105	Fitting - 90° Swivel Elbow (Incl. Ref. #7 & 22)	2
12	68-5790	Hose - Hydraulic (Return)	1
13	49-0300	Plug - Pipe	2
14	49-0370	Spool - Metering	1
15	49-0340	Spring - Metering	1
16	237-54	Seal - O-Ring	2

Ref. No.	Part No.	Description	No. Used
17	66-1660	Spool - Lever Side	1
18	3274-42	Screw - Set	1
19	49-0350	Handle	1
20	49-0360	Screw - Thumb	1
21	340-104	Fitting - Swivel Run Tee (Incl. Ref. #22)	1
22	237-30	Seal - O-Ring	7
23	68-5800	Hose - Hydraulic	1
24	63-4090	Fitting - Hydraulic 90° Elbow (Incl. Ref. #22 & 25)	1
25	237-79	Seal - O-Ring	2
26	340-101	Fitting - Hydraulic 45° Elbow (Incl. Ref. #22 & 25)	1
*	47-6640	Flow Control Valve Assy. (Incl. Ref. #3, 4, 9, 10 & 13-20)	1
*	3290-378	Tie - Cable	2

*Not Illustrated

SPECIAL TOOLS

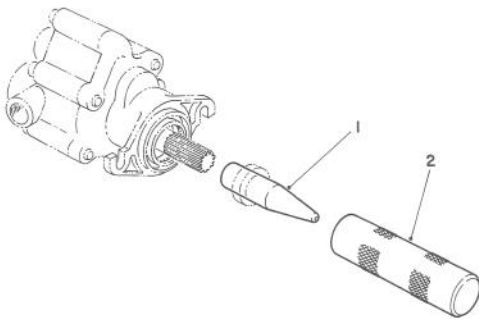
REEL MOTOR SEAL INSTALLATION TOOLS



T-0727

Ref. No.	Part No.	Description	No. Used
1	49-1430	Protector - Seal	1
2	49-1450	Installer - Seal	1

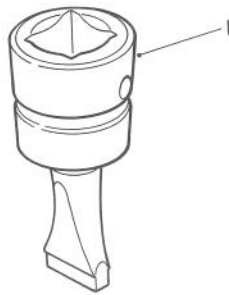
DRIVE MOTOR SEAL INSTALLATION TOOL NO. 19-2660



T-0728

Ref. No.	Part No.	Description	No. Used
1		Driver- Seal	1
2		Holder - Seal	1

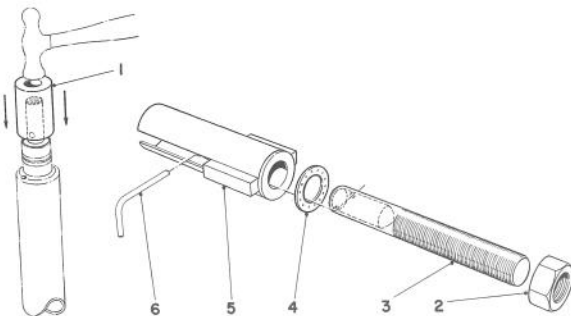
BED KNIFE SCREW TOOL NO. 51-0880



T-0729

Ref. No.	Part No.	Description	No. Used
1		Tool - Bed Knife Screw	1

BEARING REPLACEMENT TOOL KIT NO. 23-8900

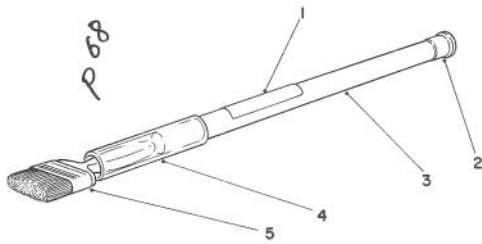


T-0730

Ref. No.	Part No.	Description	No. Used
1	23-8880	Driver - Bearing	2
2	3219-18	Nut - Hex.	1
3	23-8840	Puller - Bolt	1
4	22-6090	Washer - Thrust	1
5	23-8850	Tube - Support	1
6	23-8860	Pin - Bearing Rplcmnt.	1

SPECIAL TOOLS (Continued)

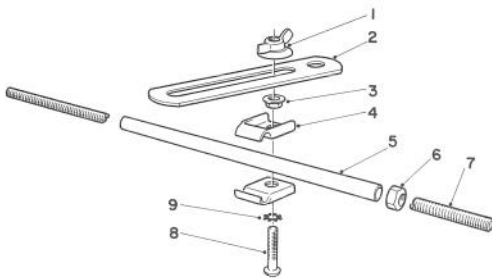
BACKLAPPING BRUSH ASSEMBLY NO. 29-9100



T-0731

Ref. No.	Part No.	Description	No. Used
1	12-9140	Decal	1
2	2410-18	Plug	1
3	29-9080	Handle	1
4	29-9090	Hose - Handle	1
5	36-4310	Brush	1

ALIGNMENT TOOL NO. 20-0120



T-0732

Ref. No.	Part No.	Description	No. Used
1	3-4808	Nut - Wing	1
2	20-0110	Bracket - Alignment	1
3	32128-20	Nut - Flange Lock	1
4	3-6657	Clip - Skid	2
5	20-0070	Tube	1
6	3219-2	Nut - Hex.	1
7	20-0080	Rod	1
8	32122-35	Screw - Truss Hd.	1
9	3255-8	Washer - E.T.L.W.	1

INDEX

Description	Page	Description	Page
Foot Pedals & Roller Assembly	1-3	Hydraulic System Assembly	41
Front Hydraulic Lift Cylinder No. 63-9500	4	Electrical Schematic	42
Wheel & Brake Assembly	5-6	Cutting Unit Model No's. 04405 & 04408	43-44
Hydraulic Drive Motor No. 66-5292	7	Cutting Unit (11 Blade) Model No. 04450 & (8 Blade) Model No. 04468	45
Frame Assembly	8-9	Bedbar & Scraper Comb Assembly (Cutting Unit Model No's. 04450 & 04468)	46
Rear Hydraulic Lift Cylinder No. 68-5700	10	Cutting Unit Roller Options	47
Steering & Seat Assembly	11-12	Spiker Roller Model No. 04430 (Optional)	48
Power Steering Valve No. 58-3951	13	Direct Suspension Pull Frame Kit Model No. 04452 (Optional)	49-51
Instrument Panel Assembly	14	Backlapping Kit No. 63-4960 (Optional)	52-55
Valve Bank & Hydraulic Reservoir Assy.	15-16	Quick Height-Of-Cut Kit No. 29-5910 (For 04405 & 04408) (Optional)	56
Reel Motor No. 26-5690	17	Quick Height-Of-Cut Kit Model No. 04451 (For 04450 & 04468) (Optional)	57
Control Valve Assembly No. 70-8210 Sections 1 & 2.	18-19	Variable Height-Of-Cut Kit No. 24-9400 (For 04405 & 04408) (Optional)	58
Control Valve Assembly No. 70-8210 Sections 3 thru 5	20-21	Roller Scraper Kit No. 42-4820 (For 04405 & 04408) (Optional)	59
Fuel Tank Assembly	22-23	Roller Scraper Kit No. 53-9240 (For 04450 & 04468) (Optional)	60
Radiator & Grille Assembly	24	Thatching Reel Model No. 04416 (Optional)	61
Engine Installation Assembly	25-26	Spiker Attachment Model No. 04420 (Optional)	62-63
Water Pump Assembly	27	Reel Shutoff Kit No. 28-2150 (Optional)	64
Alternator Assembly	28	Basket Reinforcement Kit No. 26-0900 (Optional)	65
Crankcase Assembly	29	Variable Traction Control Kit Model No. 04411 (Optional)	66
Fuel Supply & Engine Block Assembly	30	Special Tools	67-68
Valves & Crankshaft Assembly	31		
Camshaft Assembly	32		
Cylinder Head Assembly	33		
Governor Assembly	34		
Fuel Injection Pump Assembly	35		
Starter Assembly	36		
Air Cleaner Assembly	37		
Hydraulic Pump No. 68-4940	38		
Rear Wheel Assembly	39		
Hydraulic Steering Cylinder	40		

PRODUCT CHANGES

In an effort to make improvements available to TORO owners as quickly as possible, minor changes are incorporated into Toro's products from time to time that do not become immediately shown in the Parts Catalog. If such a change has been made in your unit, which is not reflected in your manual, see your TORO Distributor or his Authorized TORO Service Dealer for information and part numbers.

IDENTIFICATION AND ORDERING

MODEL AND SERIAL NUMBERS

The Greensmaster 3000D has two identification numbers; a model number and a serial number. The two numbers are stamped on a decal which is located on top of the right rear frame tube. In any correspondence concerning the Groundsmaster 3000D, supply model and serial numbers to assure that correct information and replacement parts are obtained.

To order replacement parts from an Authorized TORO Service Dealer, supply the following information:

1. Model and serial number of the Greensmaster 3000D.
2. Part number, description, and the quantity of part(s) desired.

NOTE: Do not order by reference number if a parts catalog is being used; use the PART NUMBER.

COUNTRIES OTHER THAN THE UNITED STATES OR CANADA

Customers who have purchased TORO products exported from the United States or Canada should contact their

Toro Distributor (Dealer) to obtain guarantee policies for your country, province or state.

