



Workman[®] e2050 Utility Vehicle

Model No. 07280 - 260000201 and up.

Parts Catalog

Ordering Replacement Parts

To order replacement parts, please supply the part number, the quantity, and the description of each part desired.

Understanding Reference Numbers

Each identified part in an illustration has a reference number. The reference number for a part also appears in the parts list, along with other information about the part.

This catalog uses two special reference number formats, one to indicate parts in a service assembly and another to indicate the quantity of a given part in an illustration.

Service Assembly Reference Numbers

Parts in service assemblies have reference numbers in the form a:b. The a represents the reference number of the entire service assembly and the b represents a sequential number unique to each part within the service assembly.

For example, a wheel assembly might be identified by reference number 6, the tire by 6:1, the valve by 6:2, and the wheel by 6:3. When you order the assembly identified by reference number 6, you receive all parts identified by reference numbers 6:1, 6:2, and 6:3. However, you may also order any part individually. Reference numbers of this type appear in illustrations and in part lists.

Reference Numbers Indicating Quantity

In an illustration, if a reference number indicates more than one part, the reference number has the form nX y. The n represents the quantity of the part, the X is the multiplication symbol, and the y represents the reference number.

For example, in an illustration, the reference number 2X 37 means that two of the parts identified by reference number 37 are indicated.

Contents

Description	Page	Description	Page
Hood and Fender Assembly 3	Battery and Transaxle Assembly 12
Solenoid Assembly No. 104-7135 4	Electric Motor Assembly No. 104-7335 13
Pedal Assembly 5	Axle Assembly No 104-7378 14
Frame Assembly 6	Left Hand Brake Assembly No. 108-2419 15
Seat Base and Charger Assembly 7	Right Hand Brake Assembly No. 108-2420 16
Offboard 48 Volt Charger Assembly No. 110-2575 8	Steering Assembly 17
Front Tire and Steering Assembly 9	Steering Gearbox Assembly No. 99-7660 18
Tire, Wheel and Hub Assembly 10	Box and Tailgate Installation Assembly 19
Controller Assembly 11	Box and Tailgate Assembly 20
		Attachments and Accessories List 21

Part Description Abbreviations

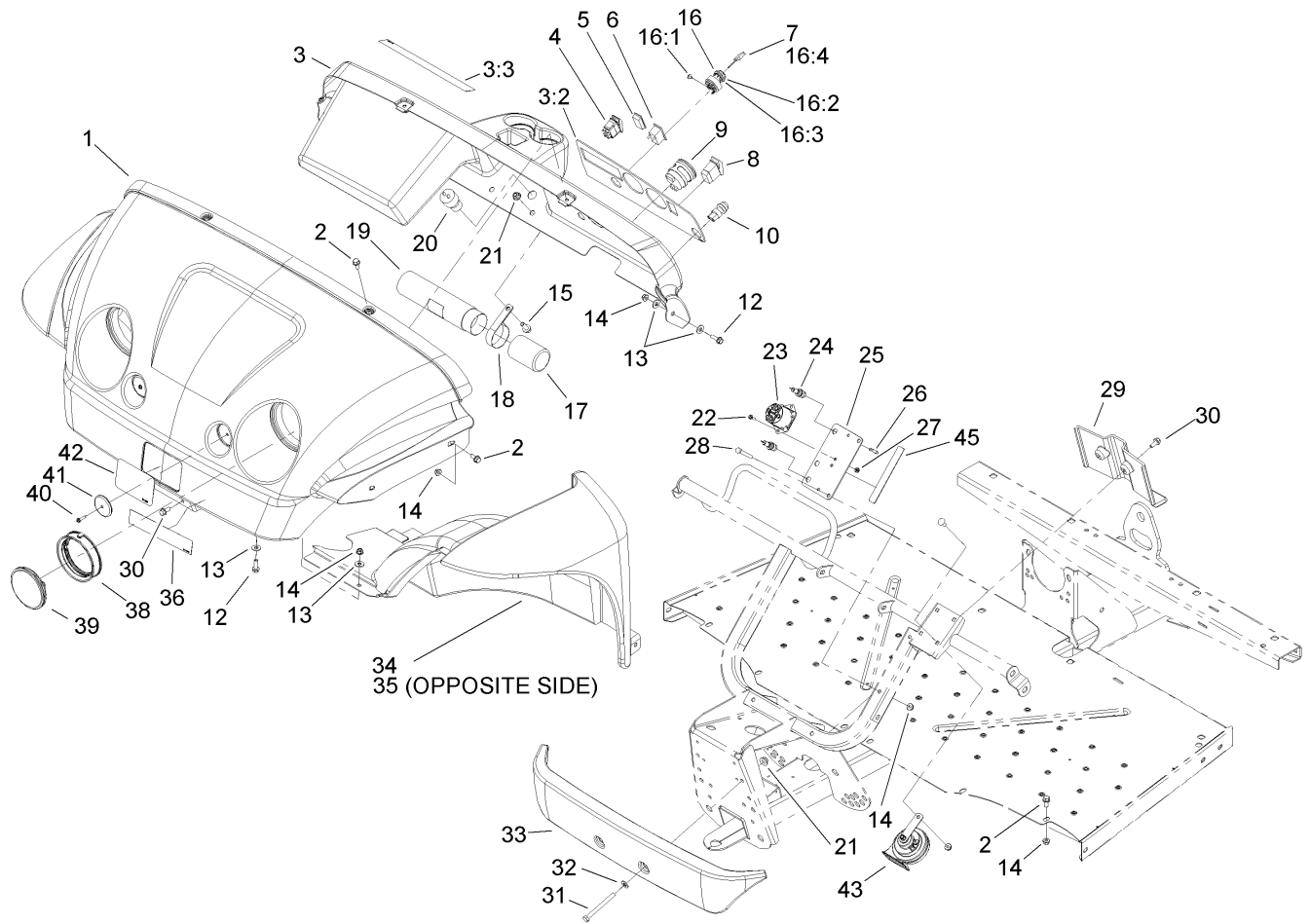
Part descriptions in this catalog may include the following abbreviations.

AR. as required	INC. incorporated
ASM. assembly	LH. left hand
BBC. blade brake clutch	NI. nylon insert
CARR. carriage	NPTF. national pipe thread fine
DEG. degrees	PFH. phillips flat head
EXT. external	PPH. phillips pan head
FH. flat head	PPHTF. phillips pan head thread forming
GA. gauge	PRH. phillips round head
HF. hex flange	PTH. phillips truss head
HH. hex head	PTO. power-take-off
HHF. hex head flange	RH. right hand
HHFTF. hex head flange thread forming	ROPS. roll-over-protection-system
HJ. hex jam	SFH. slotted fillister head
HLH. hex lag head	SHH. slotted hex head
HOC. height-of-cut	SHWH. slotted hex washer head
HSBH. hex socket button head	SPH. slotted pan head
HSFH. hex socket flat head	SQH. square head
HSH. hex socket head	SRH. slotted round head
HWH. hex washer head	STD. standard
HWHTF. hex washer head thread forming	TAP. self tapping
HYD. hydraulic	TTH. torx truss head

Footnotes

❶ Not illustrated

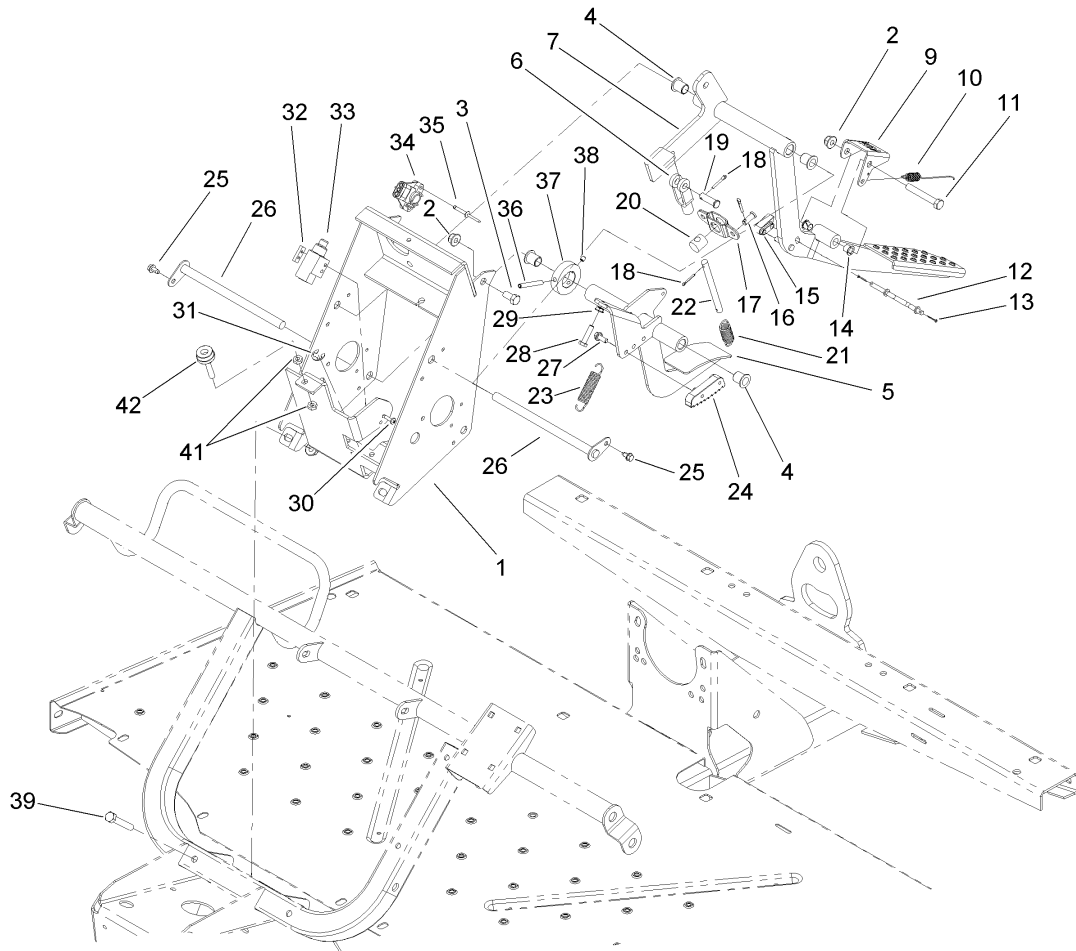
❷ Not serviced separately



Hood and Fender Assembly

Ref	Part No.	Qty.	Description
1	104-7003	1	Hood
2	3234-5	14	Screw-HHF
3	104-7216	1	Electric Dash ASM
3:2	104-7214	1	Decal-Dash, Electric
3:3	104-7215	1	Decal-Danger, Electric Vehicle
4	107-0255	1	Switch
5	99-7420	2	Plug-Hole
6	104-7129	1	Light-Indicator
7	99-7418	1	Key-Ignition
8	107-0747	1	Switch-Rocker
9	107-0260	1	Guage-Hour/Battery Level, 48 Volt
10	18-2830	1	Button-Horn
12	3234-17	4	Screw-HHF
13	3256-3	8	Washer-Flat
14	104-8300	16	Nut-Flange, NI
15	3234-11	2	Screw-HHF
16	107-0348	1	Switch-Key, 48V
16:1	3250-28	3	Screw F/W
16:2	108-8659	1	Washer-Backup
16:3	108-8660	1	Nut-Mounting
16:4	108-6994	1	Key-Ignition
17	104-7048	1	Cap-Housing
18	2412-133	2	R-Clamp
19	104-7050	1	Housing-Manual

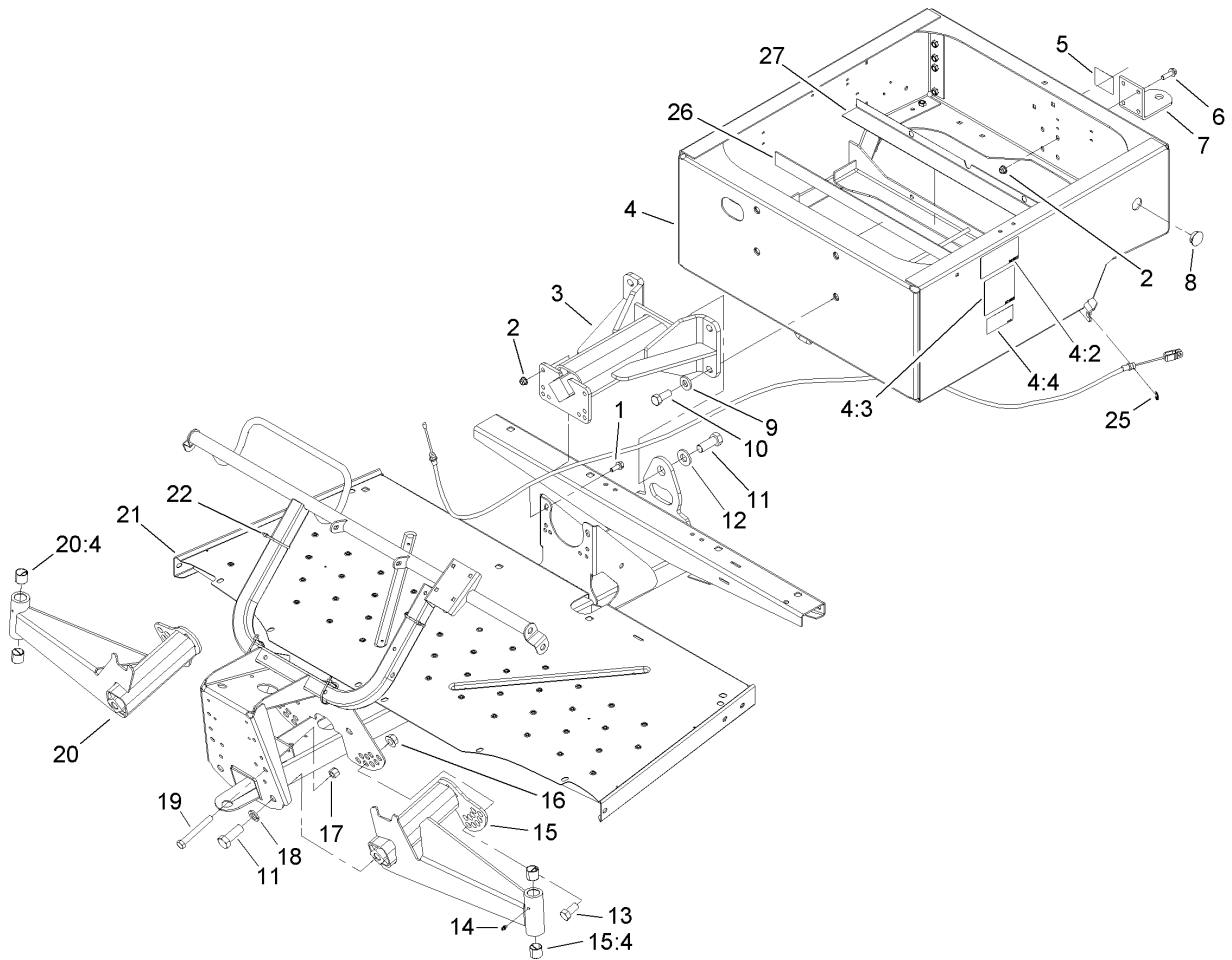
Ref	Part No.	Qty.	Description
20	94-5245	1	Switch-Key
21	104-8301	4	Nut-Flange, NI
22	32105-13	2	Screw-SHH
23	104-7135	1	Solenoid
24	218-489	2	Holder-Fuse
25	104-7252	1	Mount-Solenoid
26	98-8876	2	Fuse-10 Amp
27	32149-7	2	Nut-Keps
28	322-11	2	Screw-HH
29	104-7075	1	Cover-Channel
30	104-7206	4	Screw HHF
31	323-42	2	Screw-HH
32	3256-24	2	Washer-Flat
33	99-7733	1	Bumper-Plastic
34	104-7076	1	LH Fender ASM
35	104-7077	1	RH Fender ASM
36	104-7120	1	Decal-Electric
38	99-7311	2	Mount-Headlight
39	104-7312	2	Headlight
40	32144-89	2	Screw-Forming, Thread
41	99-7312	2	Reflector
42	99-7339	1	Decal
43	107-0358	1	Horn
45	107-0287	1	Decal-Fuse



Pedal Assembly

Ref	Part No.	Qty.	Description
1	110-2605-03	1	Frame-Pedals
2	104-8301	5	Nut-Flange, NI
3	323-4	2	Screw-HH
4	256-155	4	Bushing-Flange
5	110-2607-03	1	Pedal-Throttle
6	1-633131	1	Yoke-Linkage, Brake
7	104-7170-03	1	Pedal-Brake
9	104-6613	1	Pedal-Park
10	92-6945	1	Spring-Extension
11	323-12	1	Screw-HH
12	104-6616	1	Rod-Park
13	3272-4	3	Pin-Cotter
14	52-2891	2	Bushing-Link, Steering
15	104-6624	1	Detent-Brake
16	283-62	2	Pin-Clevis
17	104-6599	1	Pivot-Brake
18	3272-10	4	Pin-Cotter
19	283-2	1	Pin-Clevis
20	104-6598	1	Pin-Pivot
21	613386	1	Spring-Brake
22	104-6597	1	Rod-Threaded
23	104-6415	1	Spring-Return, Pedal
24	104-6614	1	Pawl-Brake
25	12-3270	2	Screw

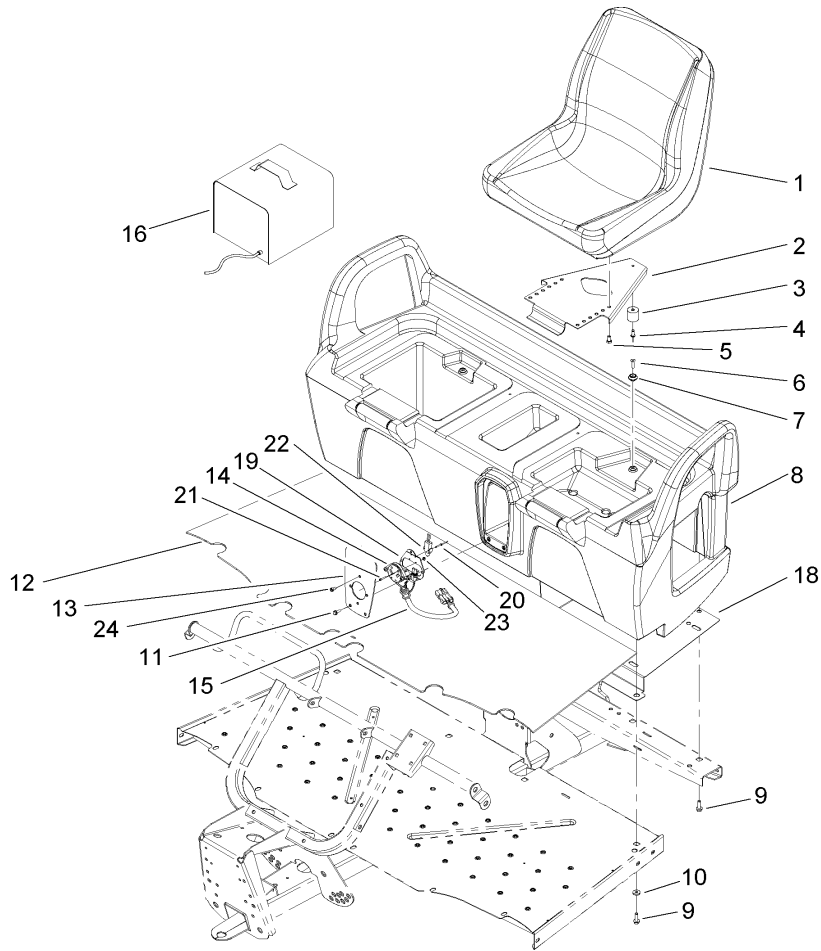
Ref	Part No.	Qty.	Description
26	104-7164	2	Pivot-Pedals
27	3234-33	2	Screw-HHF
28	321-7	2	Screw-HH
29	32149-2	2	Nut-Keps
30	104-7221	2	Screw-PPH
31	32120-47	2	Ring-Retaining, External
32	1-633181	1	Plate-Tapped
33	99-7407	1	Switch
34	104-7365	1	Sensor-Position, Rotary
35	107-0386	2	Rivet-Blind
36	32121-78	1	Pin-Roll
37	104-7301	1	Collar
38	3245-32	2	Screw-HSH
39	323-11	2	Screw-HH
41	3218-2	2	Nut-Jam
42	32141-36	1	Screw-Adjustment, Level



Frame Assembly

Ref	Part No.	Qty.	Description
1	3234-11	4	Screw-HHF
2	104-8301	8	Nut-Flange, NI
3	99-7700	1	Pivot Yoke ASM
4	104-7130	1	Rear Frame ASM
4:2	104-7207	2	Decal-Electric
4:3	107-0257	1	Decal-Polarity
4:4	104-7131	1	Decal-Capacity, Electric
5	99-7350	1	Decal-Information
6	3234-24	4	Screw-HHF
7	99-7654-03	1	Hitch-Duty, Light
8	94-1402	1	Plug-Hole
9	99-7667	4	Washer-Flat
10	327-4	4	Screw-HH
11	328-24	5	Screw-HH
12	87-3060	1	Washer-Hardened
13	3214-2	2	Screw-HH
14	302-5	2	Fitting-Grease
15	99-7685	1	LH A-Arm ASM
15:4	3-0348	2	Bushing
16	32128-54	2	Nut-HF
17	3296-23	2	Nut-Lock, NI
18	3254-7	4	Washer-Lock, Int
19	325-17	2	Screw-HH
20	99-7684	1	RH A-Arm ASM

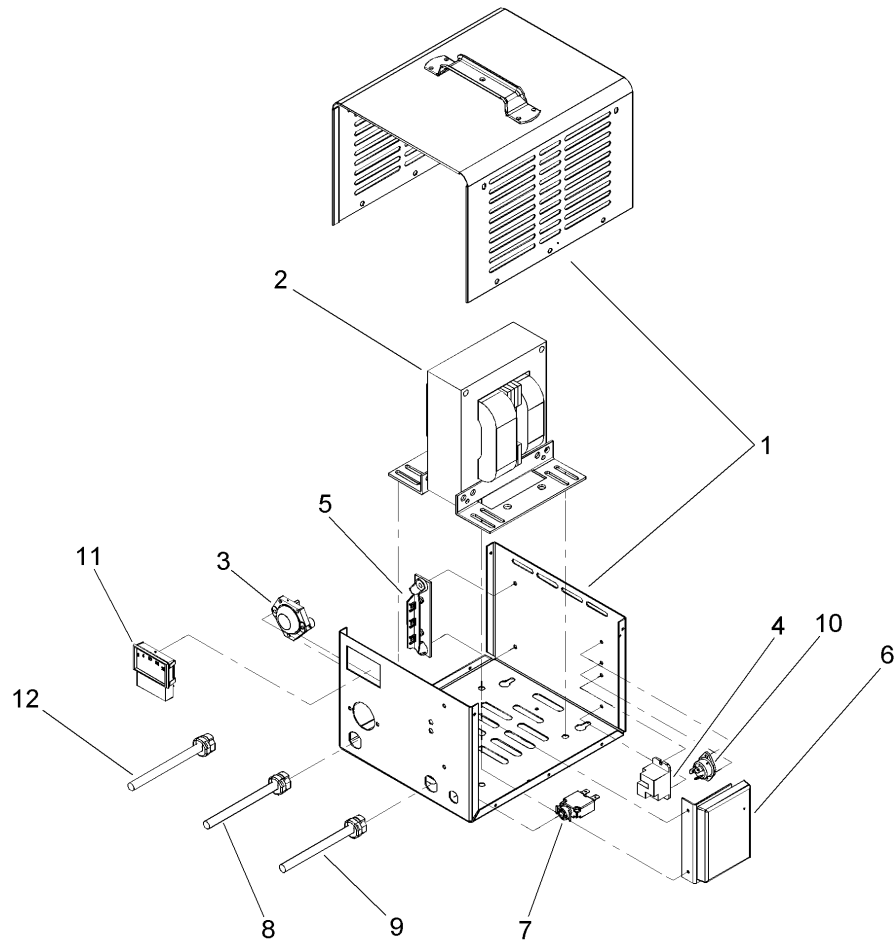
Ref	Part No.	Qty.	Description
20:4	3-0348	2	Bushing
21	104-7197-03	1	Front Frame ASM
22	3290-379	11	Tie-Cable
25	32120-47	2	Ring-Retaining, External
26	107-0252	1	Pad-Battery
27	107-0267	4	Isolator-Battery



Seat Base and Charger Assembly

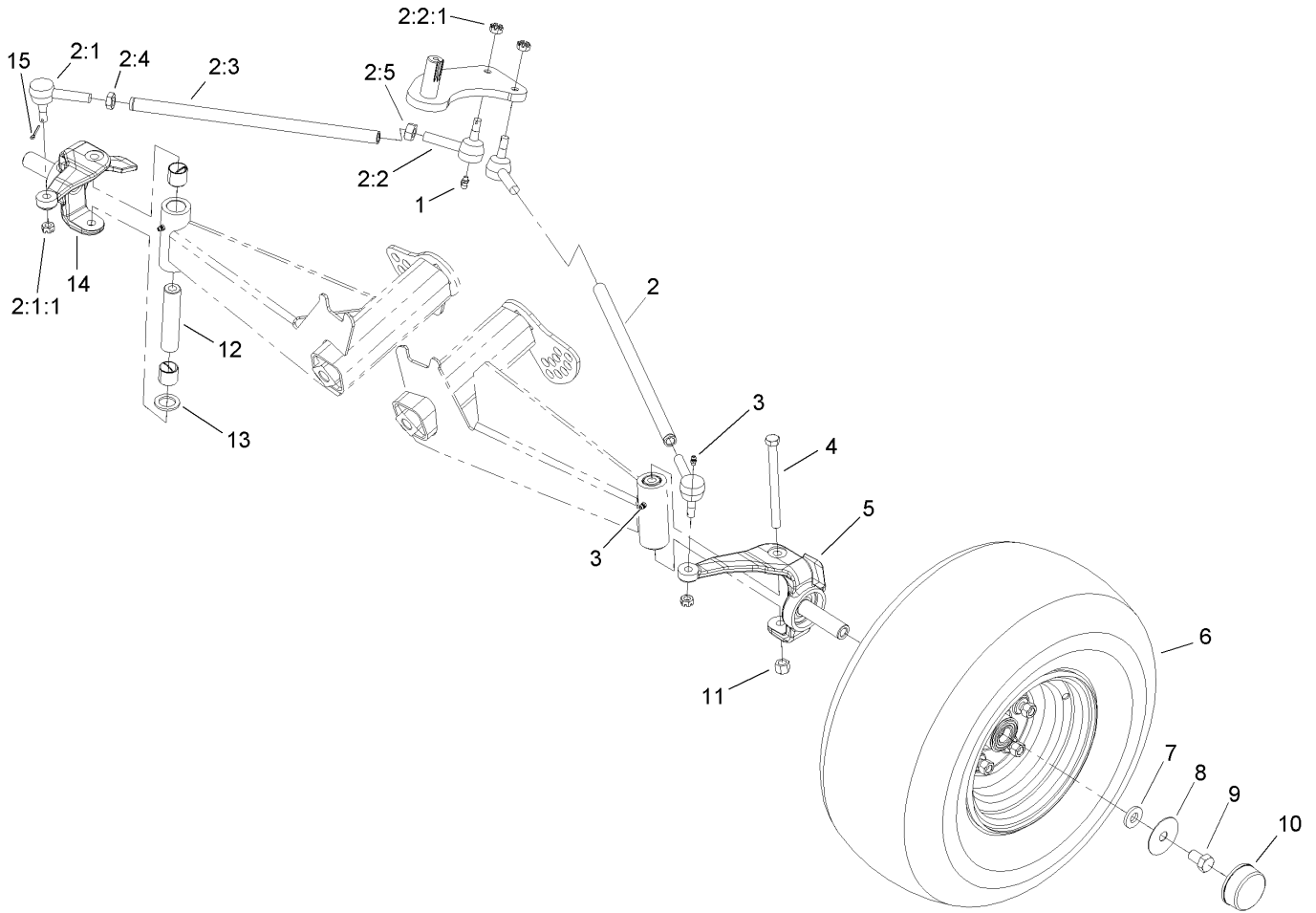
Ref	Part No.	Qty.	Description
1	106-6672	2	Seat
2	99-7829	2	Bracket-Seat
3	99-7830	2	Rubber Receptical ASM
4	3290-412	2	Rivet
5	33114-016	8	Screw-HH
6	32108-5	2	Screw-FH
7	99-7833	2	Post-Holding
8	104-6401	1	Seat Base ASM
9	3234-17	8	Screw-HHF
10	88-7200	8	Washer-Flat
11	32105-15	4	Screw
12	104-6590	1	Mat-Floor
13	107-0370	1	Plate-Receptacle
14	107-0288	1	Receptacle-Charger
15	107-0746	1	Harness-Wire, Charger
16	110-2575	1	Charger-48V, Offboard
18	107-0359-03	1	Tray-Seatbase
19	107-0716	1	Bracket-Mount, Socket
20	107-0333	2	Rivet-Pop
21	107-0334	2	Screw-HSH
22	99-3410	1	Switch
23	3296-9	2	Nut-Lock
24	32104-17	4	Screw-HWH

--	--	--	--



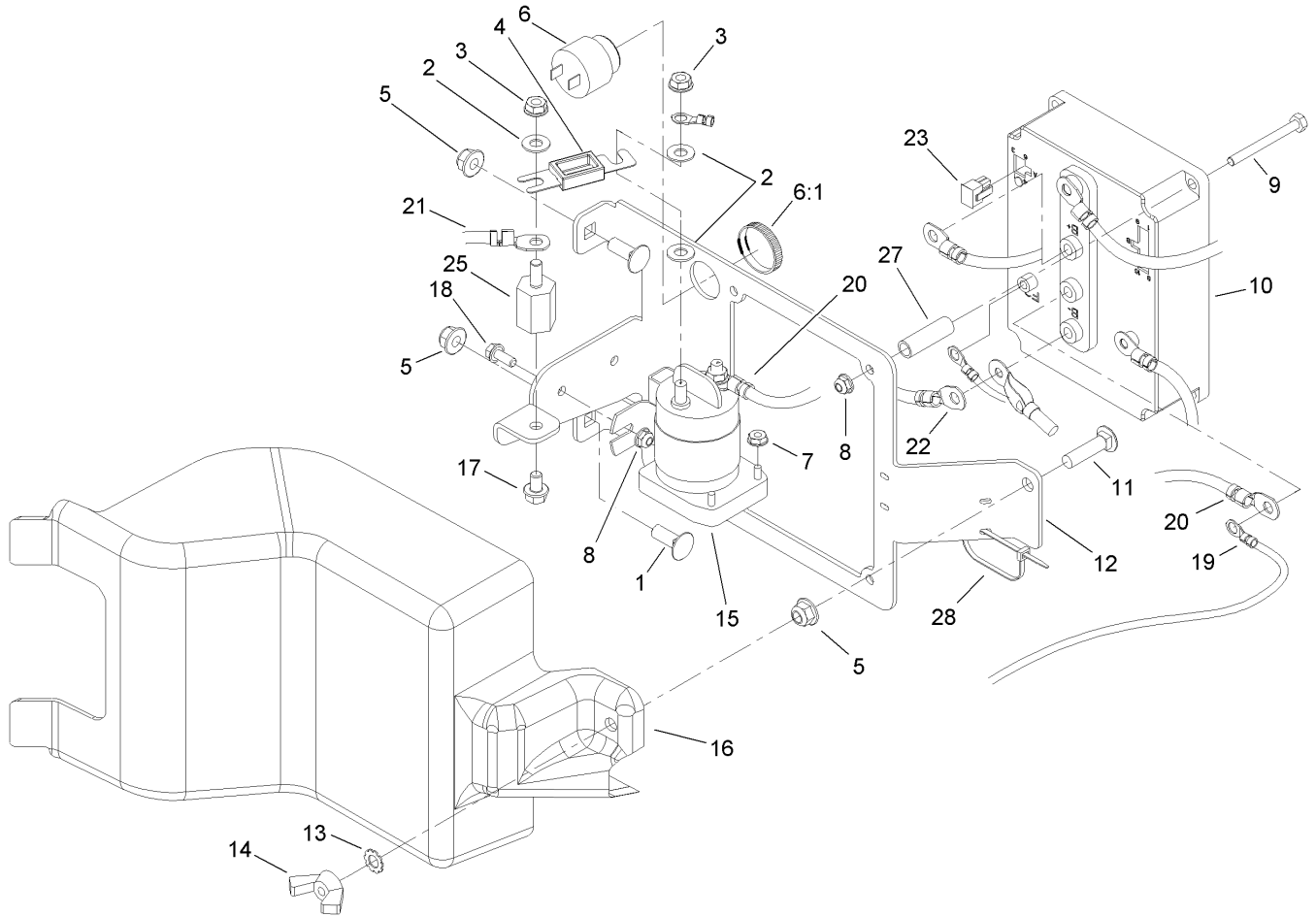
Offboard 48 Volt Charger Assembly No. 110-2575

Ref	Part No.	Qty.	Description
②1		1	Case ASM
②2		1	Transformer ASM
3	108-1161	1	Fuse ASM
4	108-1162	1	Relay-48V Dc
5	108-1163	1	Diode ASM
6	110-2573	1	Control Board ASM
7	110-2579	1	Breaker-Circuit
8	108-1166	1	Kit-Cordset, 8.5 Ft Dc
9	108-1167	1	Kit-Cordset, 72 In, Ac, Us
10	108-1168	1	Scr, W / Terminals
11	108-1169	1	Ammeter
12	108-3071	1	Kit-Cordset 20 Ft Dc



Front Tire and Steering Assembly

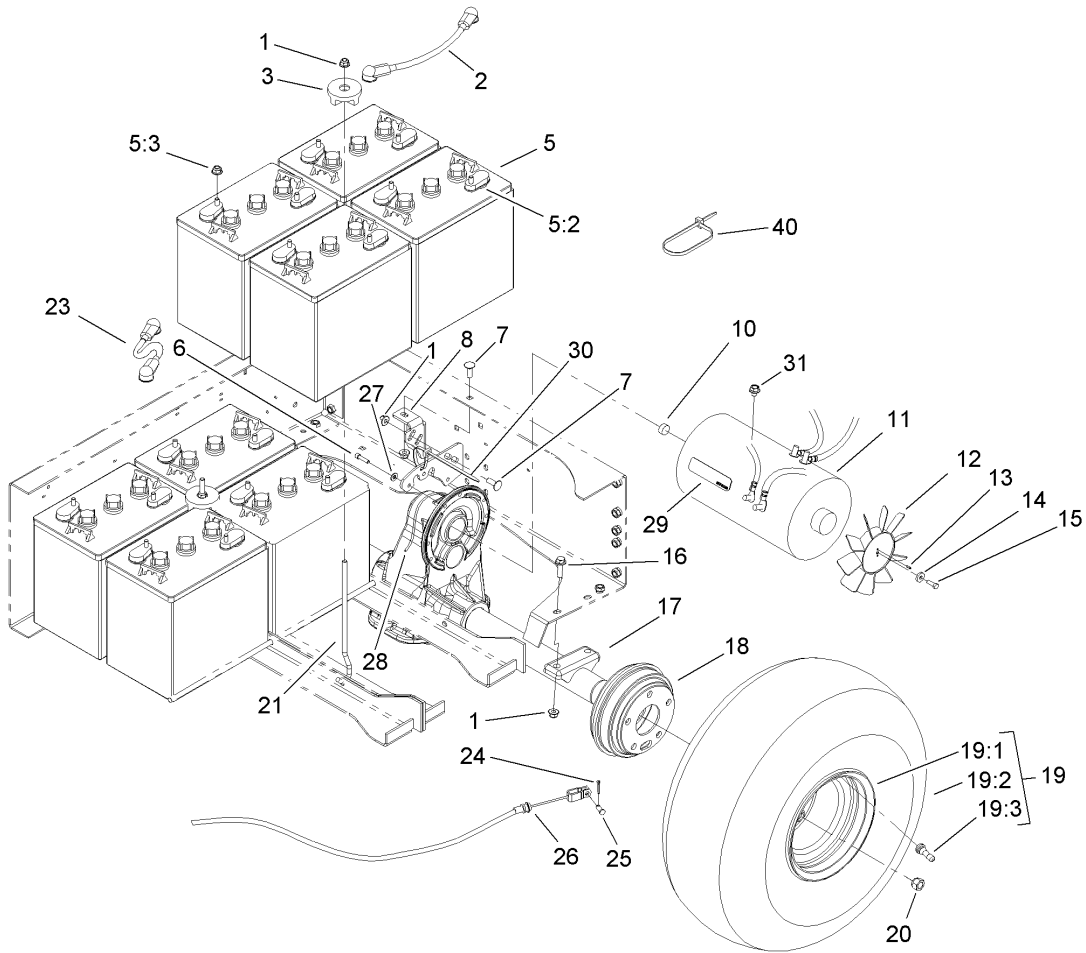
Ref	Part No.	Qty.	Description
1	302-60	2	Fitting-Grease, 90 DEG
2		2	Rod-Tie
2:1	112772	1	Joint-Ball, RH
2:1:1	915031	1	Nut
2:2	112771	1	Joint-Ball, LH
2:2:1	915031	1	Nut
2:3	99-7600-03	1	Rod-Tie
2:4	3220-11	1	Nut-Jam
2:5	3218-21	1	Nut-Jam
3	302-5	2	Fitting-Grease
4	325-20	2	Screw-HH
5	99-7486-03	1	Spindle-LH
6		2	Tire, Wheel And Hub ASM
7	99-7667	2	Washer-Flat
8	99-7719	2	Washer
9	327-2	2	Screw-HH
10	94-7871	2	Cap-Dust
11	3296-23	2	Nut-Lock, NI
12	99-7499	2	Sleeve-Kingpin
13	256-115	2	Washer-Thrust
14	99-7487-03	1	Spindle-RH
15	3272-7	4	Pin-Cotter



Controller Assembly

Ref	Part No.	Qty.	Description
1	3231-22	2	Screw-CARR
2	107-0394	3	Washer-Flat
3	107-0380	3	Nut-HHF
4	104-7320	1	Fuse
5	104-8301	3	Nut-Flange, NI
6	94-5582	1	Alarm-Audio
6:1	104-5107	1	Nut-Plastic, Knurled
7	32149-8	2	Nut-Keps
8	104-7201	6	Nut-HF
9	321-15	4	Screw-HH
10	110-2569	1	Controller-Sevcon
11	3231-4	1	Screw-CARR
12	104-7137-03	1	Mount-Controler
13	3255-9	1	Washer-Lock, EXT
14	32103-3	1	Nut-Wing
15	104-7136	1	Contactor-48V
16	104-7138	1	Cover-Controller
17	100-1719	1	Screw-Flange
18	3234-33	2	Screw-HHF
19	107-0730	1	Harness-Wire, Electric Mid Duty
20	107-0740	1	Cable-Battery, Positive
21	107-0741	1	Cable-Battery, Positive
22	107-0742	1	Cable-Battery, Negative
23	32160-130	1	Connector

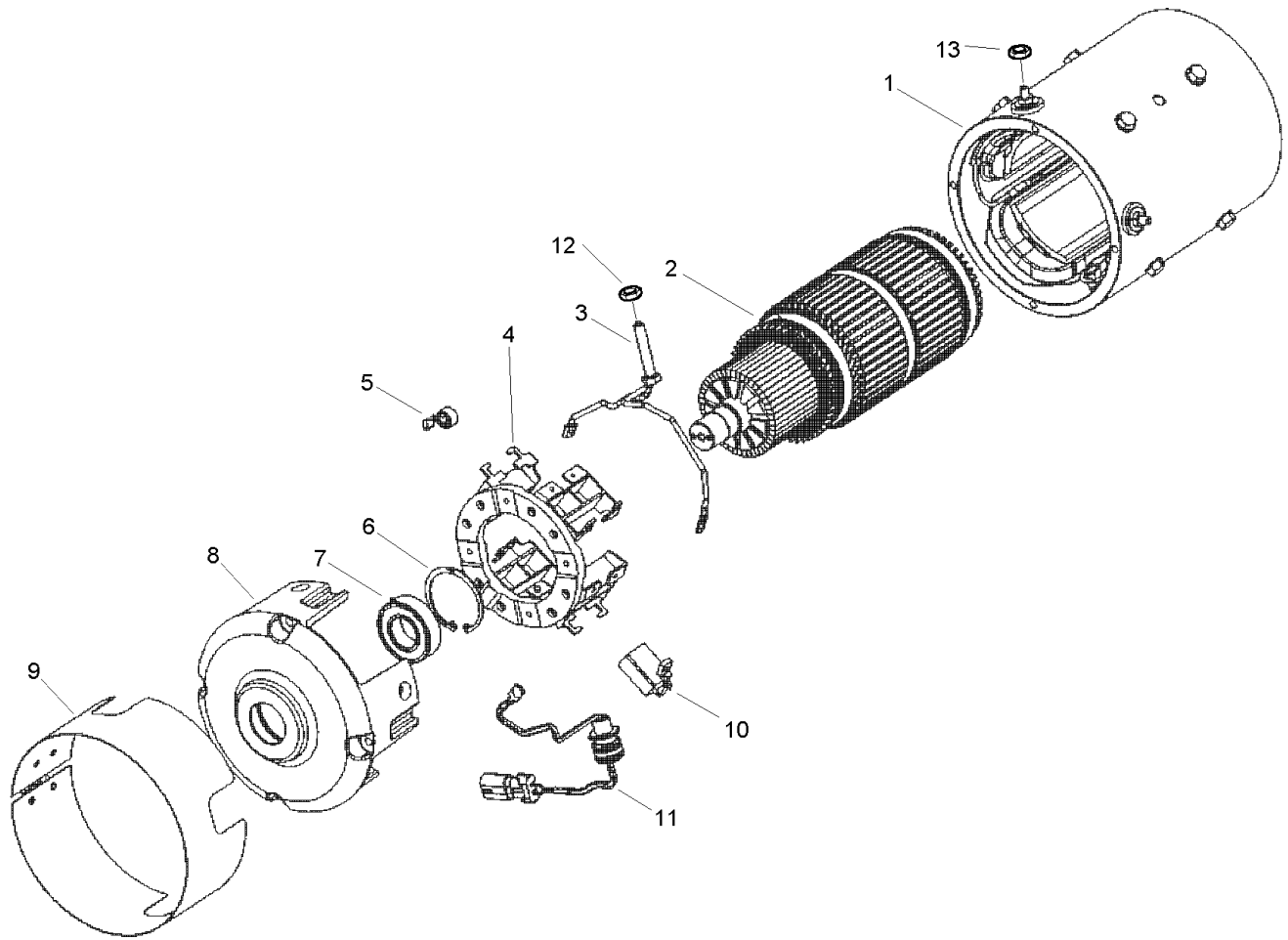
Ref	Part No.	Qty.	Description
24	107-0737	1	Harness-Wire, Battery Cable
25	107-0286	1	Isolator
27	107-0285	4	Spacer
28	3290-379	2	Tie-Cable



Battery and Transaxle Assembly

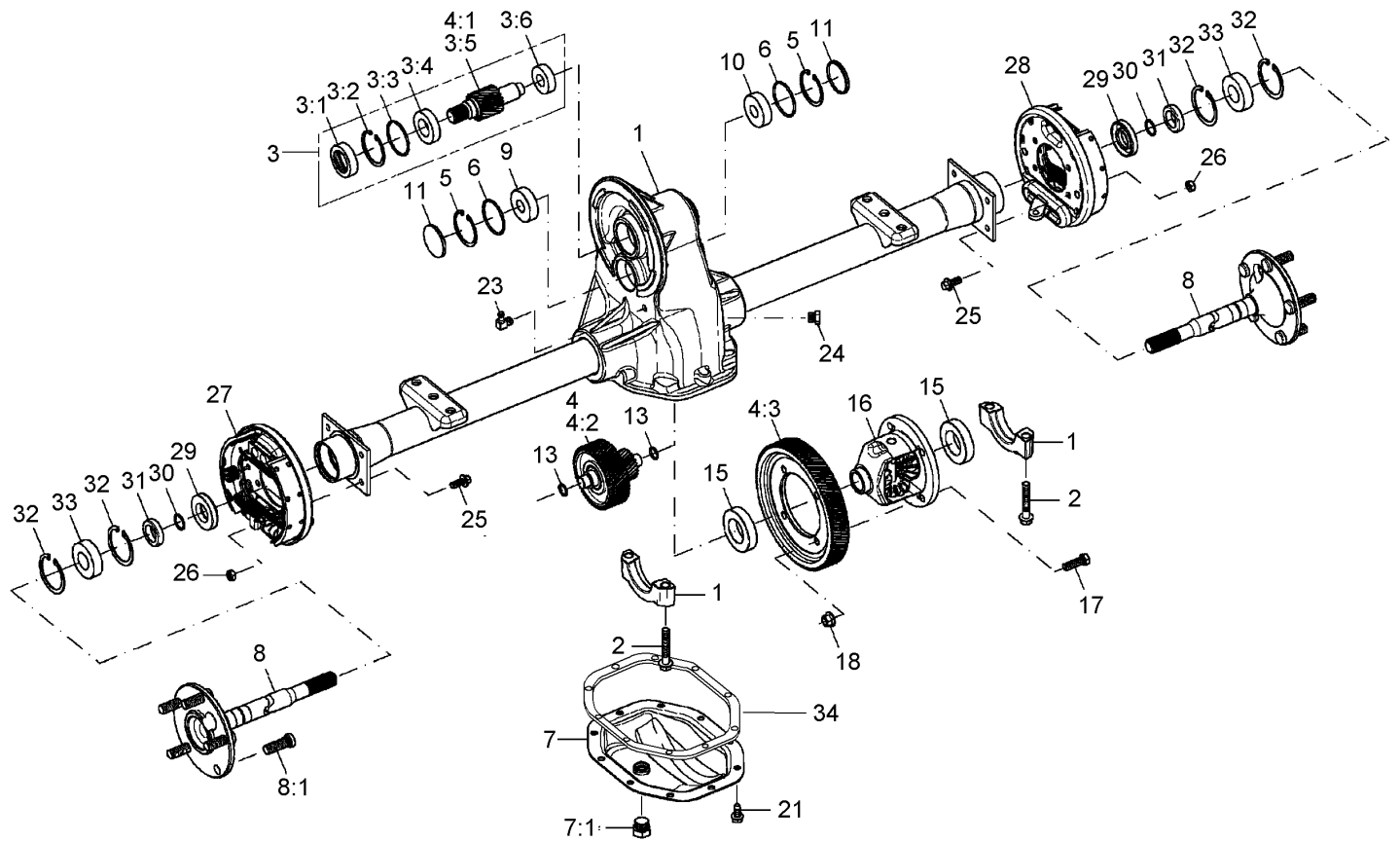
Ref	Part No.	Qty.	Description
1	104-8301	11	Nut-Flange, NI
2	107-0739	1	Cable-Battery, Positive
3	104-7149	2	Hold Down ASM
5		8	Battery
5:2	107-0289	2	Cover-Terminal, Battery
5:3	107-0388	2	Nut
6	3274-26	6	Screw-HSH
7	3231-22	5	Screw-CARR
8	104-7249-03	1	Bracket-Support
10	104-7243	1	Damper-Rubber
11	104-7335	1	Motor-Electric
12	107-0259	1	Fan-10 Blade, Clockwise
13	32121-68	2	Pin-Roll
14	73-3580	1	Washer
15	3274-8	1	Screw-HSH
16	3234-24	4	Screw-HHF
17	104-7378	1	Transaxle-Electric
18	104-6500	2	Drum-Brake
19	104-7290	2	Tire \ Wheel ASM
19:1	104-7288	1	Wheel
19:2	104-7289	1	Tire
19:3	232-27	1	Stem-Valve
20	242-50	10	Nut-Lug
21	104-7339	2	Rod-Battery

Ref	Part No.	Qty.	Description
23	107-0738	6	Cable-Battery, Positive
24	3272-10	2	Pin-Cotter
25	283-62	2	Pin-Clevis
26	104-7324	2	Cable-Brake
27	3256-22	6	Washer-Flat
28	5-4542	1	Line-Gas
29	107-0356	1	Decal-Motor
30	3290-379	12	Tie-Cable
31	107-0376	1	Screw-HSFH
40	3290-378	2	Tie-Cable



Electric Motor Assembly No. 104-7335

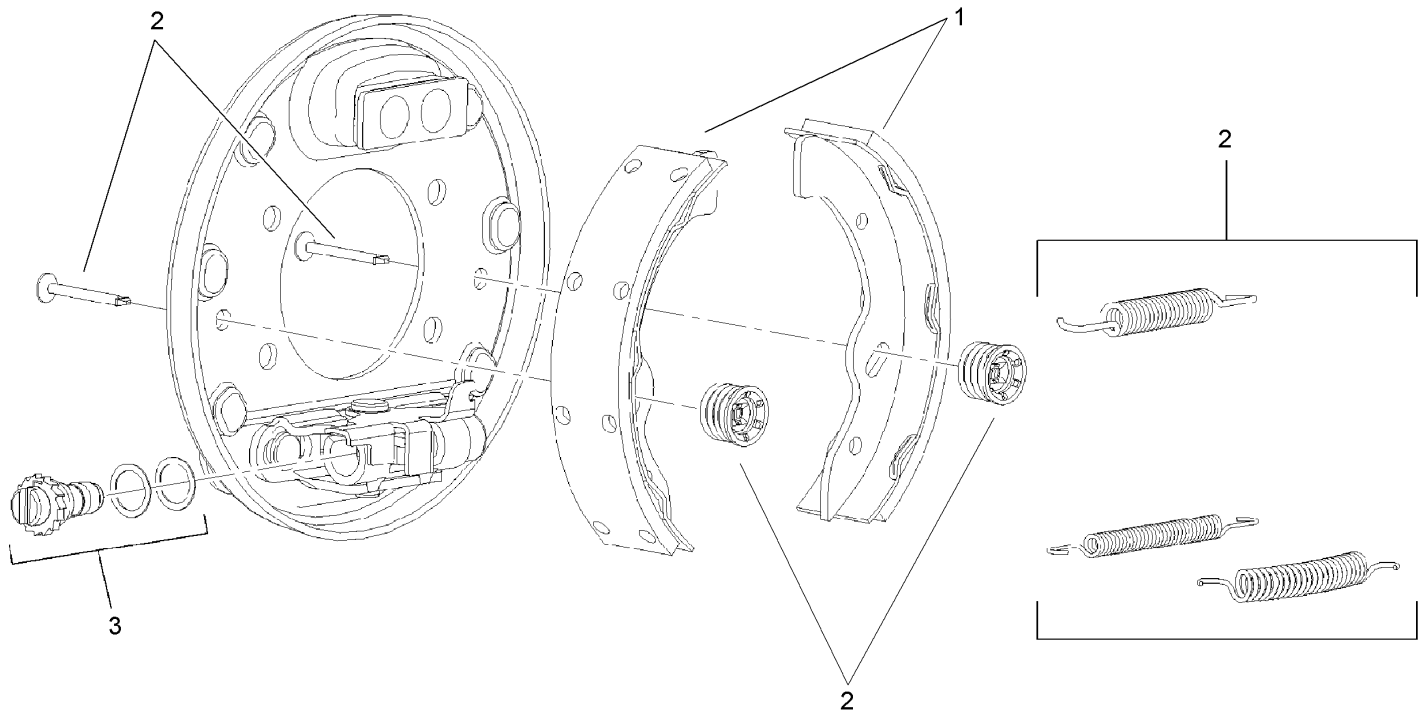
Ref	Part No.	Qty.	Description	
①		1	Frame And Field ASM	
②		1	Armature ASM	
3	108-1151	2	Brush Lead ASM	
4	108-1152	1	Brush Box ASM	
5	108-1153	8	Spring-Brush	
6	108-1154	1	Ring-Retaining	
7	108-1155	1	Bearing	
8	108-1156	1	Head-Commutator	
9	108-1157	1	Headband ASM	
10	108-1158	8	Brush	
11	108-1159	1	Thermal Sensor ASM	
12	3218-13	2	Nut-Jam, Brass	
13	3218-14	2	Nut-Jam, Brass	



Axle Assembly No 104-7378

Ref	Part No.	Qty.	Description
1		1	Housing ASM
2	108-2401	4	Bolt-Cap, Bearing
3	108-2402	1	Input Shaft Kit
3:1	108-2403	1	Seal-Oil
3:2	108-2404	1	Ring-Retaining
3:3	108-2405	1	O-Ring
3:4		1	Bearing-Ball
3:5		1	Shaft-Input
3:6		1	Bearing-Ball
4	108-2409	1	Internal Gear Kit
4:1		1	Shaft-Input
4:2		1	Gear-Intermediate
4:3	110-2541	1	Gear-Drive, Final
5	108-2404	2	Ring-Retaining
6	108-2405	2	O-Ring
7	108-2416	1	Cover Kit
7:1	108-2415	1	Plug-HH
8	108-2426	1	Axle Shaft Kit
8:1	106-9205	5	Stud-Wheel
9	108-2406	1	Bearing-Ball
10	108-2407	1	Bearing-Ball
11	108-2408	2	Plug-Cap, End
13	108-2410	2	O-Ring

Ref	Part No.	Qty.	Description
15	108-2411	2	Bearing-Ball
16	108-2412	1	Differential ASM
17	108-2413	4	Screw-Hex
18	108-2414	4	Nut-Lock
21	108-2427	10	Screw-Tapping
23	108-2428	1	Elbow-90 Degree
24	108-2429	1	Plug-HH
25	108-2417	8	Screw-Head, Flange
26	108-2418	8	Nut-Lock
27	108-2419	1	LH Brake ASM
28	108-2420	1	RH Brake ASM
29	108-2421	2	Seal-Oil
30	108-2422	2	Ring-Retaining
31	108-2423	2	Ring-Retaining, Wheel Bearing
32	108-2424	4	Ring-Retaining
33	108-2425	2	Bearing-Ball
34	108-3148	1	Gasket



Left Hand Brake Assembly No. 108-2419

Ref	Part No.	Qty.	Description
1	108-6995	1	Shoe And Lining Kit (Set Of 4)
2	104-1244	1	Spring Kit
3	104-1245	1	LH Adjuster Kit

Attachments and Accessories

For 07280 - Workman e2050 Utility Vehicle

Product Name	Model/Part
Stand Alone Windshield Kit	07221
Electric Bed Lift Kit	07260
Rear Lift Kit	07261
Roll-Over-Protection-System	07276
Receiver Hitch Kit	07278
Heavy-Duty Bumper Kit	07282
12V Converter Kit	07286
Stake Side Kit	07290
Cab	07291
Folding Windshield Kit	07293
Windshield Kit	07294
Heavy-Duty Brushguard and Bumper Kit	07296
Canopy Kit	07297
Tire	104-7289
Brake and Signal Light Kit	107-8020
Vinyl Enclosure	79979

NOTES

NOTES

