



Cab Kit for Workman® 3000/4000 Series Vehicles

Model No. 07249 - 70001 and up.

Model No. 99-1095

Parts Catalog

Ordering Replacement Parts

To order replacement parts, please supply the part number, the quantity, and the description of each part desired.

Understanding Reference Numbers

Each Identified part in an illustration has a reference number. The reference number for a part also appears in the parts list, along with other information about the part.

This catalog uses two special reference number formats, one to indicate parts in a service assembly and another to indicate the quantity of a given part in an illustration.

Service Assembly Reference Numbers

Parts in service assemblies have reference numbers in the form a:b. The a represents the reference number of the entire service assembly and the b represents a sequential number unique to each part within the service assembly.

For example, a wheel assembly might be identified by reference number 6, the tire by 6:1, the valve by 6:2, and the wheel by 6:3. When you order the assembly identified by reference number 6, you receive all parts identified by reference numbers 6:1, 6:2, and 6:3. However, you may also order any part individually. Reference numbers of this type appear in illustrations and in part lists.

Reference Numbers Indicating Quantity

In an illustration, if a reference number indicates more than one part, the reference number has the form nX y. The n represents the quantity of the part, the X is the multiplication symbol, and the y represents the reference number.

For example, in an illustration, the reference number 2X 37 means that two of the parts identified by reference number 37 are indicated.

Contents

Description	Page	Description	Page
Front and Rear Window Assembly 3	Soft Door Assembly 7
Frame Assembly 4	Seat Belt Installation Assembly 8
Hard Door Assembly 6	Radiator Modification Assembly 9

Part Description Abbreviations

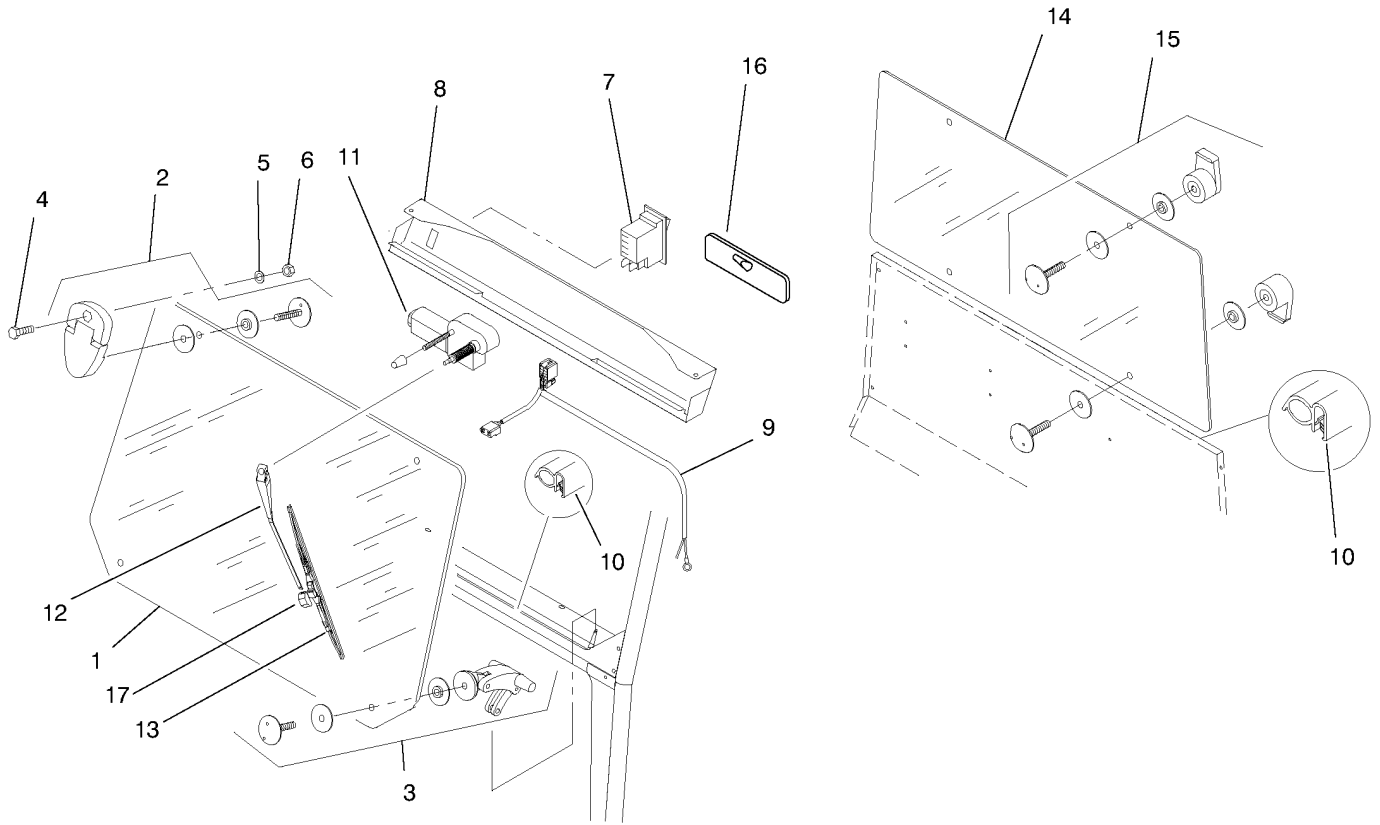
Part descriptions in this catalog may include the following abbreviations.

AR. as required	INC. incorporated
ASM. assembly	LH. left hand
BBC. blade brake clutch	NI. nylon insert
CARR. carriage	NPTF. national pipe thread fine
DEG. degrees	PFH. phillips flat head
EXT. external	PPH. phillips pan head
FH. flat head	PPHTF. phillips pan head thread forming
GA. gauge	PRH. phillips round head
HF. hex flange	PTH. phillips truss head
HH. hex head	PTO. power-take-off
HHF. hex head flange	RH. right hand
HHFTF. hex head flange thread forming	ROPS. roll-over-protection-system
HJ. hex jam	SFH. slotted fillister head
HLH. hex lag head	SHH. slotted hex head
HOC. height-of-cut	SHWH. slotted hex washer head
HSBH. hex socket button head	SPH. slotted pan head
HSFH. hex socket flat head	SQH. square head
HS. hex socket head	SRH. slotted round head
HWH. hex washer head	STD. standard
HWHTF. hex washer head thread forming	TAP. self tapping
HYD. hydraulic	TTH. torx truss head

Footnotes

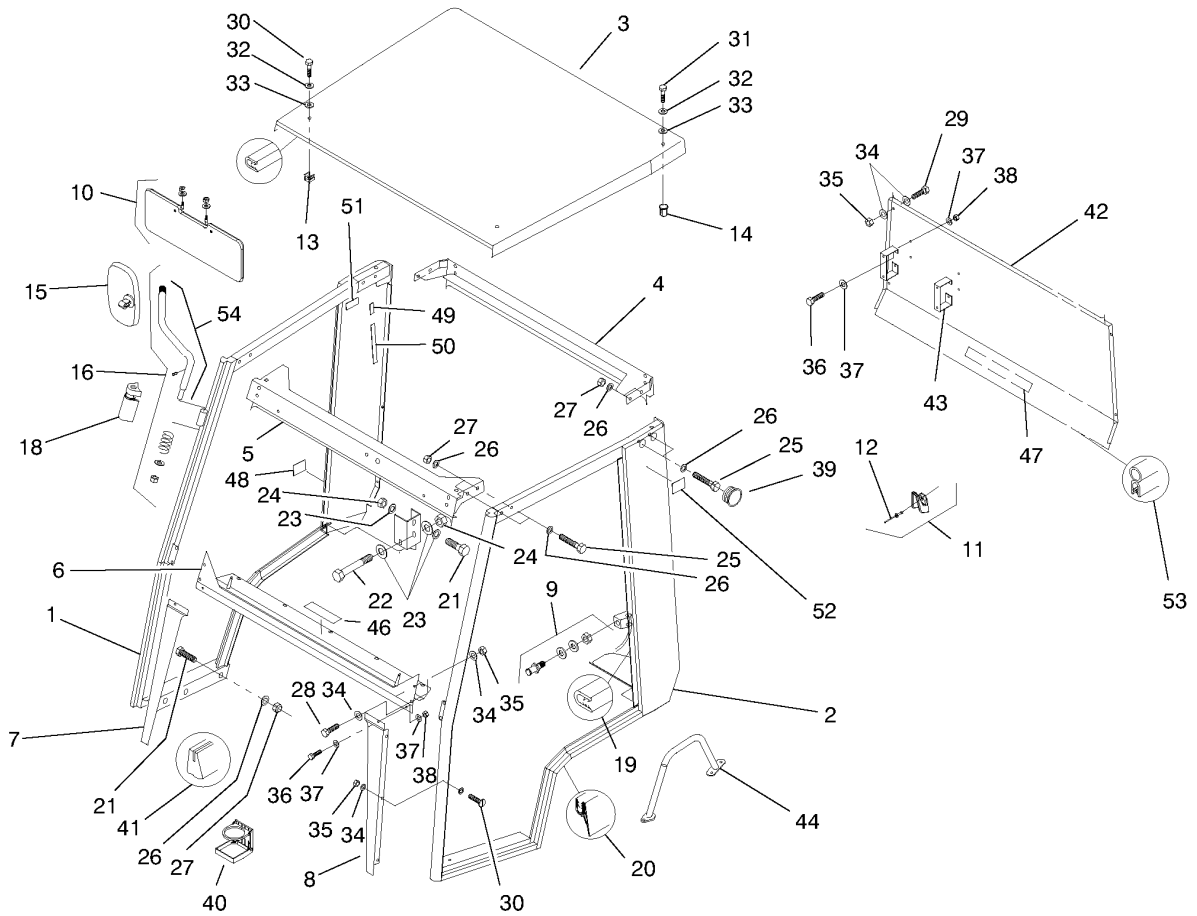
❶ Not illustrated

❷ Optional Equipment



Front and Rear Window Assembly

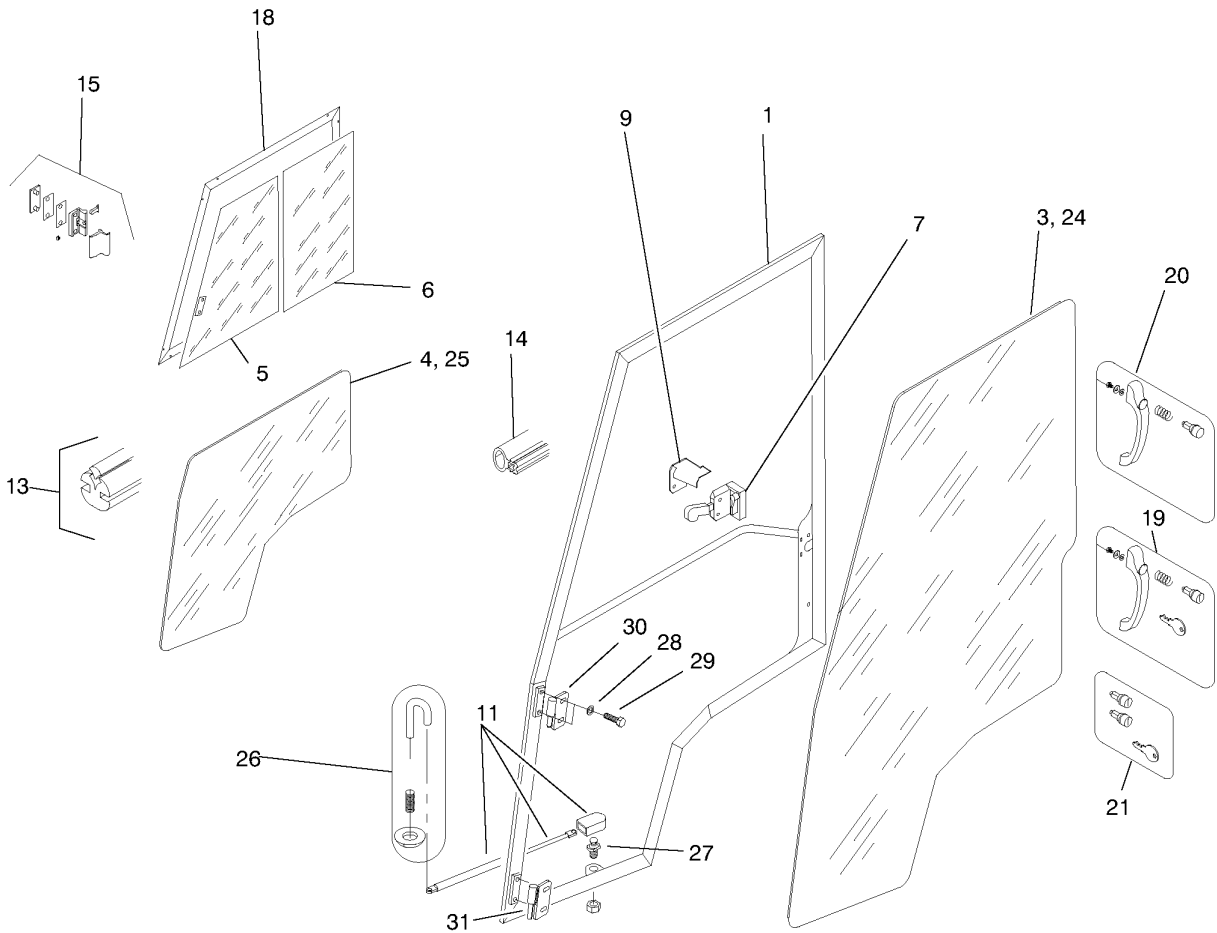
Ref	Part No.	Qty.	Description
1	95-7301	1	Glass-Front
2	95-7336	2	Hinge
3	95-7337	2	Opener-Window
4	33114-045	2	Screw-HH
5	3256-23	2	Washer-Flat
6	48-9510	2	Nut
7	95-7344	1	Switch-Wiper
8	95-7345	1	Panel-Cover, Upper
9	95-7372	1	Harness-Wire
10	95-7338	2	Seal
11	95-7339	1	Motor-Wiper
12	95-7340	1	Arm-Wiper
13	95-7341	1	Blade-Wiper
14	95-7303	1	Glass-Rear
15	95-7342	4	Glass Fixation Kit
16	99-1098	1	Mirror-Rear View
17	99-1101	1	Connector-Wiper



Frame Assembly

Ref	Part No.	Qty.	Description
1	95-7313	1	Frame-RH
2	95-7314	1	Element-Side, LH
3	95-7315	1	Roof
4	95-7316	1	Channel-Rear, Upper
5	95-7317	1	Channel-Front, Upper
6	95-7318	1	Slat-Front
7	95-7319	1	Panel-Front, RH
8	95-7320	1	Panel-Front, LH
9	95-7321	2	Striker
10	95-7322	2	Visor-Sun
11	95-7323	2	Hook ASM (Incl. Ref. #12)
13	95-7304	2	Nut-Special, Spring Clip
14	95-7343	2	Nut-Special, Barrel
15	95-7324	2	Mirror
16	95-7325	1	Support-RH
17	95-7326	1	Support-LH
18	95-7327	2	Cover
19	95-7328	2	Seal
20	95-7373	2	Seal-Lower, Cab
21	33116-035	6	Screw-HH
22	33116-090	4	Screw-HH
23	3256-26	12	Washer-Flat
24	48-9540	6	Nut-Lock, Hex NI

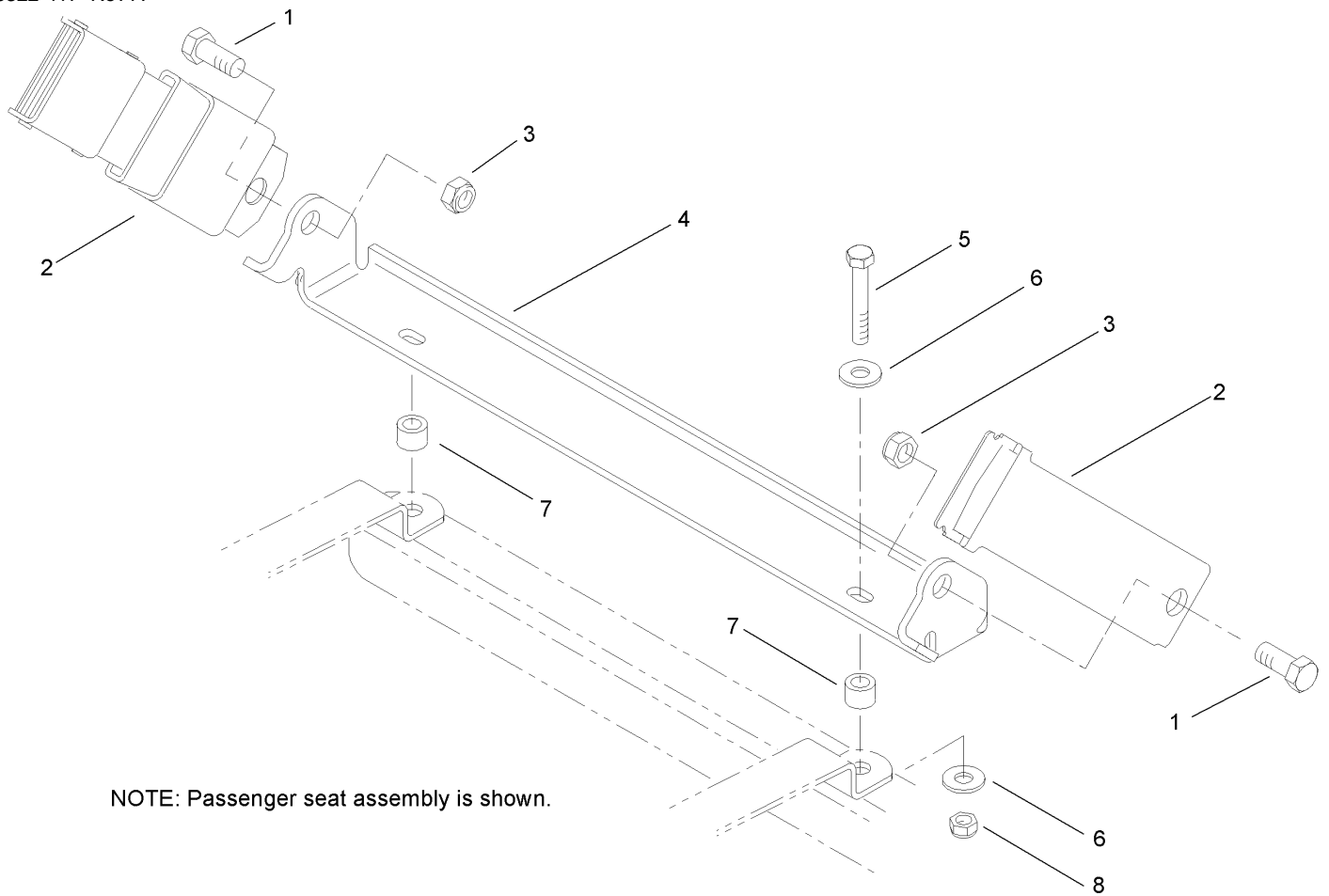
Ref	Part No.	Qty.	Description
25	33115-060	8	Screw-HH
26	3256-4	28	Washer-Flat
27	48-9520	14	Nut
28	33114-020	4	Screw-HH
29	33114-035	6	Screw-HH
30	33114-045	8	Screw-HH
31	43-3220	2	Capscrew-HH
32	95-7370	4	Washer-Seal
33	95-7371	4	Washer-Seal
34	3256-23	32	Washer-Flat
35	48-9510	16	Nut
36	33113-016	10	Screw-HH
37	3256-16	20	Washer-Flat
38	49-7810	10	Nut-Lock
39	95-7329	4	Plug
40	95-7330	1	Holder-Cup
41	95-7331	1	Seal
42	95-7332	1	Molding
43	95-7333	4	Bracket-Seat
44	95-7334	1	Bail-RH
45	95-7335	1	Bail-LH
46	94-5274	1	Decal-Danger
47	87-7930	1	Decal-Warning
48	87-5930	1	Decal-Caution, Fuel



Hard Door Assembly

Ref	Part No.	Qty.	Description
1	95-7347	1	Frame-Door, RH
❶	95-7356	1	Frame-Door, LH
3	95-7308	1	Glass-Door
4	95-7305	1	Glass-Door, Lower
5	95-7312	1	Glass-Door, Upper
6	95-7311	1	Glass-Door, Upper
7	95-7349	1	LH Latch ASM
❶	95-7348	1	RH Latch ASM
9	95-7350	1	Cover-RH
❶	95-7351	1	Cover-LH
11	95-7352	2	Spring ASM
13	95-7353	2	Seal ASM
14	95-7302	2	Seal-Door
15	95-7358	1	Window Latch ASM
18	95-7357	1	Slide Window Frame ASM (Incl. Ref. #5 And 6)
19	98-2917	1	Door Latch ASM W/Keys
20	98-2941	1	Door Latch ASM W/O Keys
❷21	98-2916	1	Lock And Key Set (Optional)
24	99-1100	1	Window-RH, Synthetic
25	99-1103	1	Window-Lower, LH (Synthetic)
26	99-1104	2	Spring Bracket Kit
27	99-1105	2	Ballstud
28	3256-23	4	Washer-Flat

Ref	Part No.	Qty.	Description
29	33114-016	4	Screw-HH
30	99-1227	1	Hinge-Upper, LH
❶	99-1228	1	Hinge-Upper, RH
31	99-9398	1	Hinge-Lower, LH
❶	99-9399	1	Hinge-Lower, RH
❶	95-7346	1	RH Door ASM
❶	95-7355	1	LH Door ASM



NOTE: Passenger seat assembly is shown.

Seat Belt Installation Assembly

Ref	Part No.	Qty.	Description
1	3212-4	4	Screw-HH
2	110-0413	2	Seatbelt-Retractable
3	3296-38	4	Nut-Lock, NI
4	87-7280	2	Bracket-Seat Belt
5	322-10	4	Screw-HH
6	3256-3	8	Washer-Flat
7	52-2480	4	Spacer-Wheel
8	3296-29	4	Nut-Lock, NI

NOTES

NOTES

